

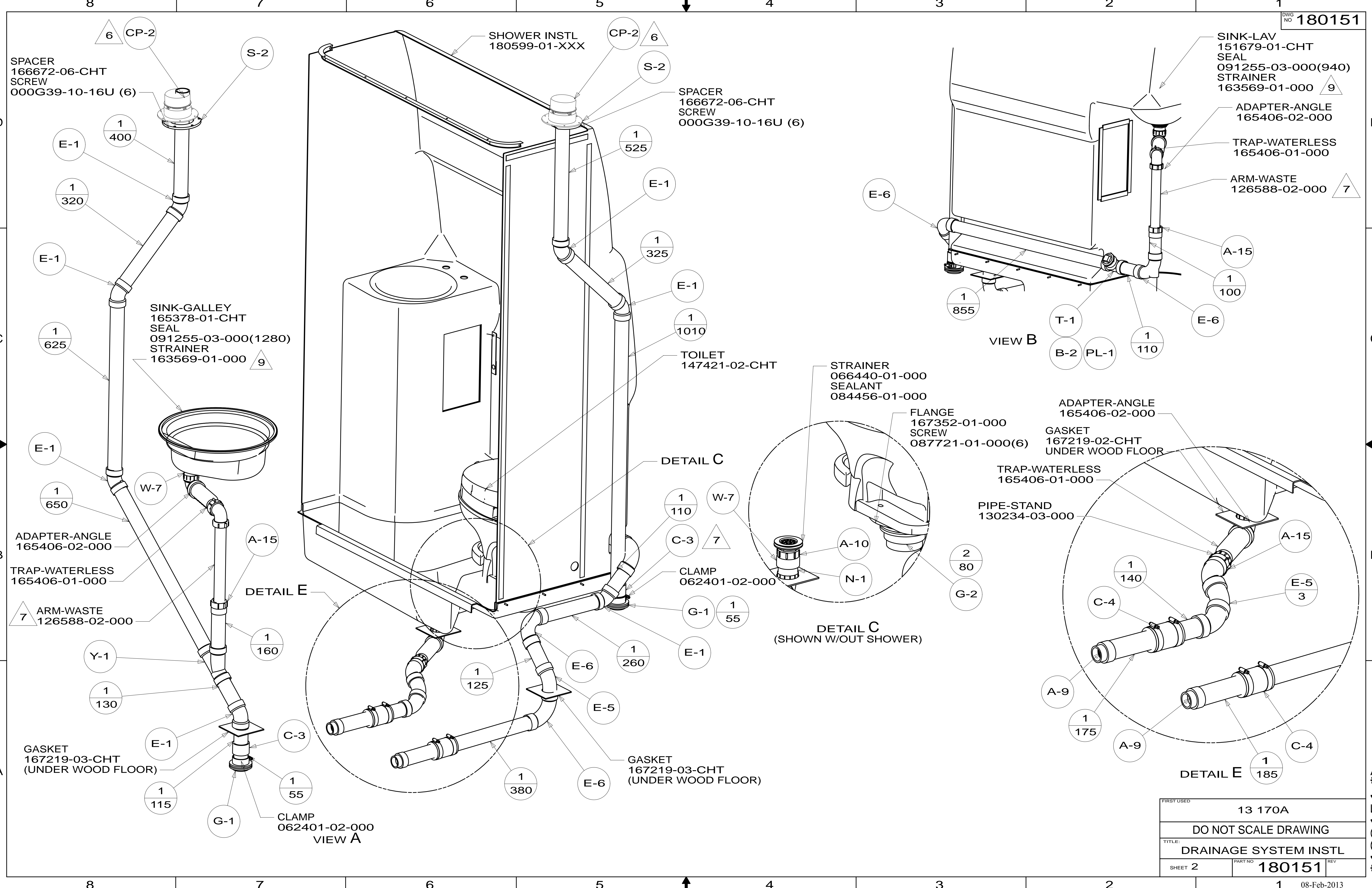
- 9 USE SMOOTH PLUMBERS PUTTY 167459-01-000 TO SEAL STRAINER (0.2 PER STRAINERS)
- 8 NIPPLE TO BE TRIMMED TO LENGTH ON INSTALL.
- 7 TRIM TO FIT.
- 6 VENT PIPE MUST PROJECT 51 MIN AND 64 MAX ABOVE ROOF FOR PROPER FIT AND FUNCTION.
- 5. SEAL AROUND SHOWER WITH SILICONE.
- 4. SECURE DRAINAGE PIPES TO CABINET USING WIRE TIE 108046-02-000, AND SCREW 000G67-10-12B AT INTERVALS OF NOT MORE THAN 4 FEET APART.
- 3. ALL PIPE AND FITTINGS TO BE ASSEMBLED WITH SOLVENT 004020-01-000 (USA), 004020-02-000 (CAN)
- 2. SLOPE OF TRAP ARM MUST BE 6 PER 305 mm.
- 1. SLOPE OF HORIZONTAL PIPING TO BE MINIMUM OF 3 PER 305 mm.

NOTES:

FOR DRAINAGE CALLOUTS SEE DWG NO 116229-01-000

<b>WINNEBAGO</b>		COPYRIGHT 2013 WINNEBAGO INDUSTRIES, INC.	
DFTR	ORIG. DATE	ALL DIMENSIONS ARE IN MILLIMETERS	
CHKR			
P.E.			
M.E.	FIRST USED		
DSNR		13 170A	
UNSPECIFIED TOLERANCES ARE:		MATERIAL:	
WHOLE DIM (X)	: 3		
ONE-PLACE (X.X)	: 1.5		
TWO-PLACE (X.XX)	: 0.50		
ANGLE	: 1°		
THIRD ANGLE PROJECTION			
DO NOT SCALE DRAWING		REFER TO ES0018 FOR FASTENER TIGHTENING GUIDELINES	
TITLE: DRAINAGE SYSTEM INSTL			
SHEET 1 OF 4	PART NO	180151	REV
REF:	1	08-Feb-2013	

\* 180151 \* A



SPACER  
166672-06-CHT  
SCREW  
000G39-10-16U (6)

SINK-GALLEY  
165378-01-CHT  
SEAL  
091255-03-000(1280)  
STRAINER  
163569-01-000 (9)

SHOWER INSTL  
180599-01-XXX

SPACER  
166672-06-CHT  
SCREW  
000G39-10-16U (6)

SINK-LAV  
151679-01-CHT  
SEAL  
091255-03-000(940)  
STRAINER  
163569-01-000 (9)

ADAPTER-ANGLE  
165406-02-000  
TRAP-WATERLESS  
165406-01-000  
ARM-WASTE  
126588-02-000 (7)

VIEW B

DETAIL C

DETAIL C  
(SHOWN W/OUT SHOWER)

DETAIL E

DETAIL E

GASKET  
167219-03-CHT  
(UNDER WOOD FLOOR)

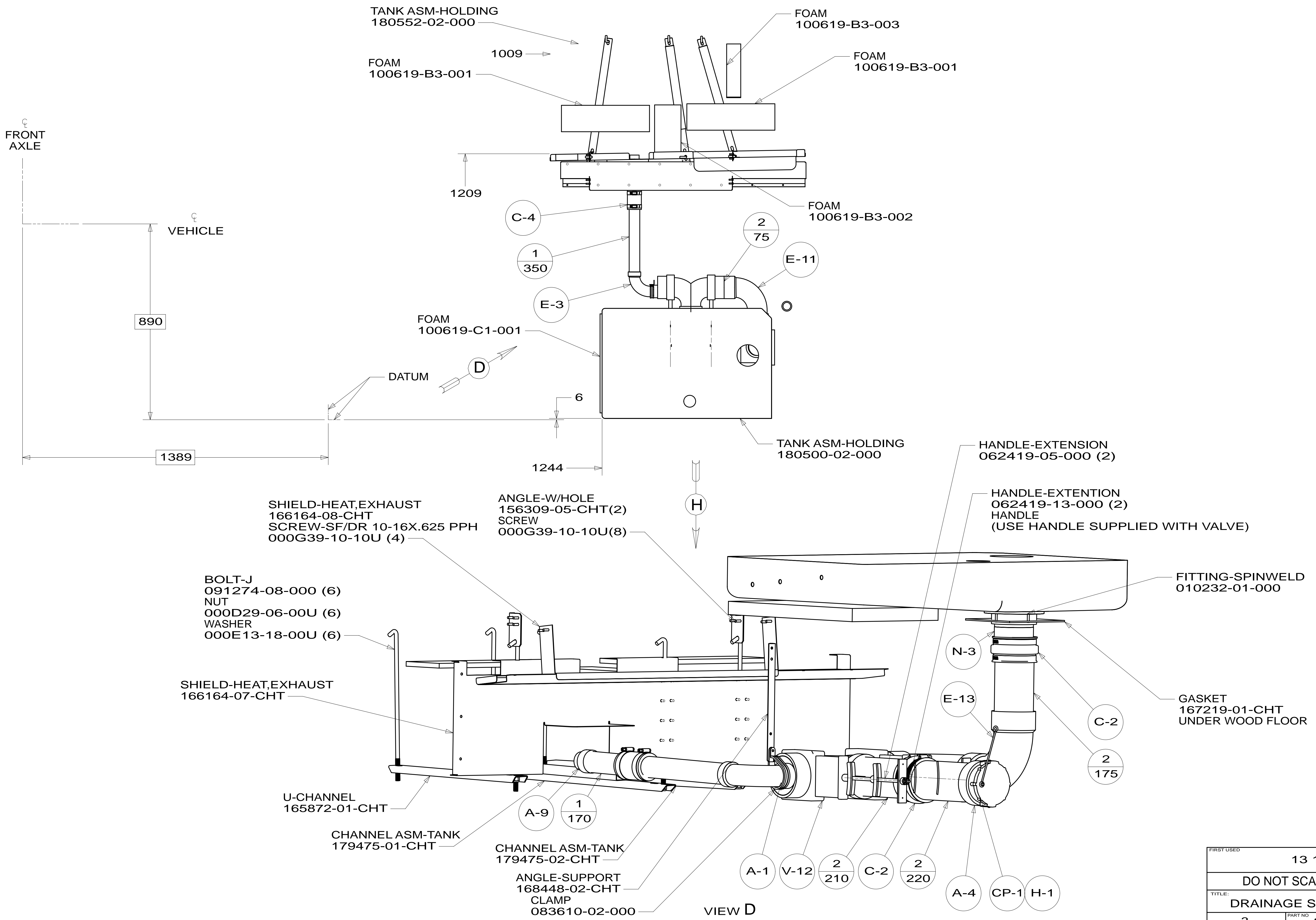
GASKET  
167219-03-CHT  
(UNDER WOOD FLOOR)

ADAPTER-ANGLE  
165406-02-000  
GASKET  
167219-02-CHT  
UNDER WOOD FLOOR

TRAP-WATERLESS  
165406-01-000  
PIPE-STAND  
130234-03-000

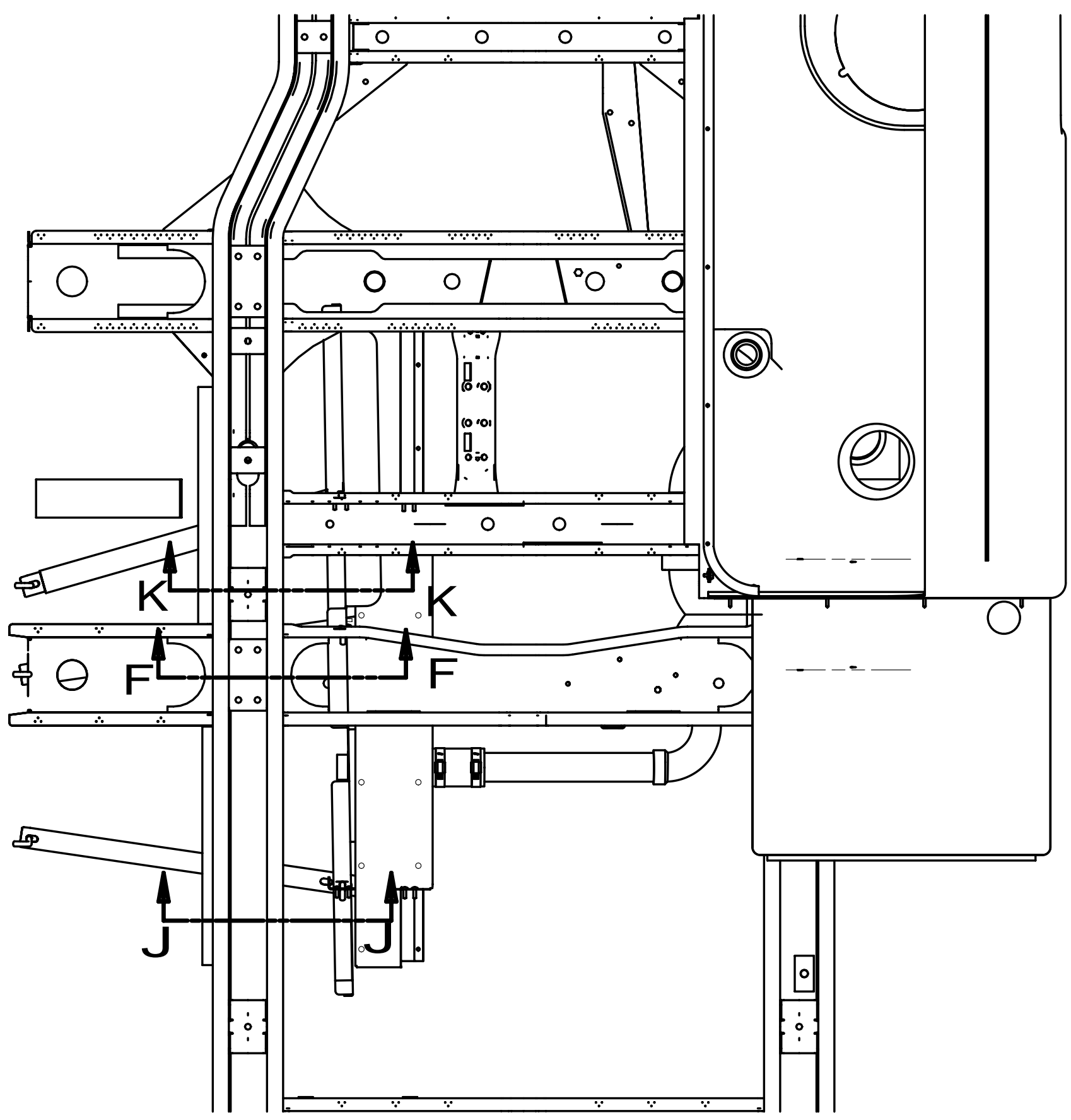
FIRST USED	13 170A	
DO NOT SCALE DRAWING		
TITLE:	DRAINAGE SYSTEM INSTL	
SHEET 2	PART NO	180151
	REV	08-Feb-2013

\* 180151 A

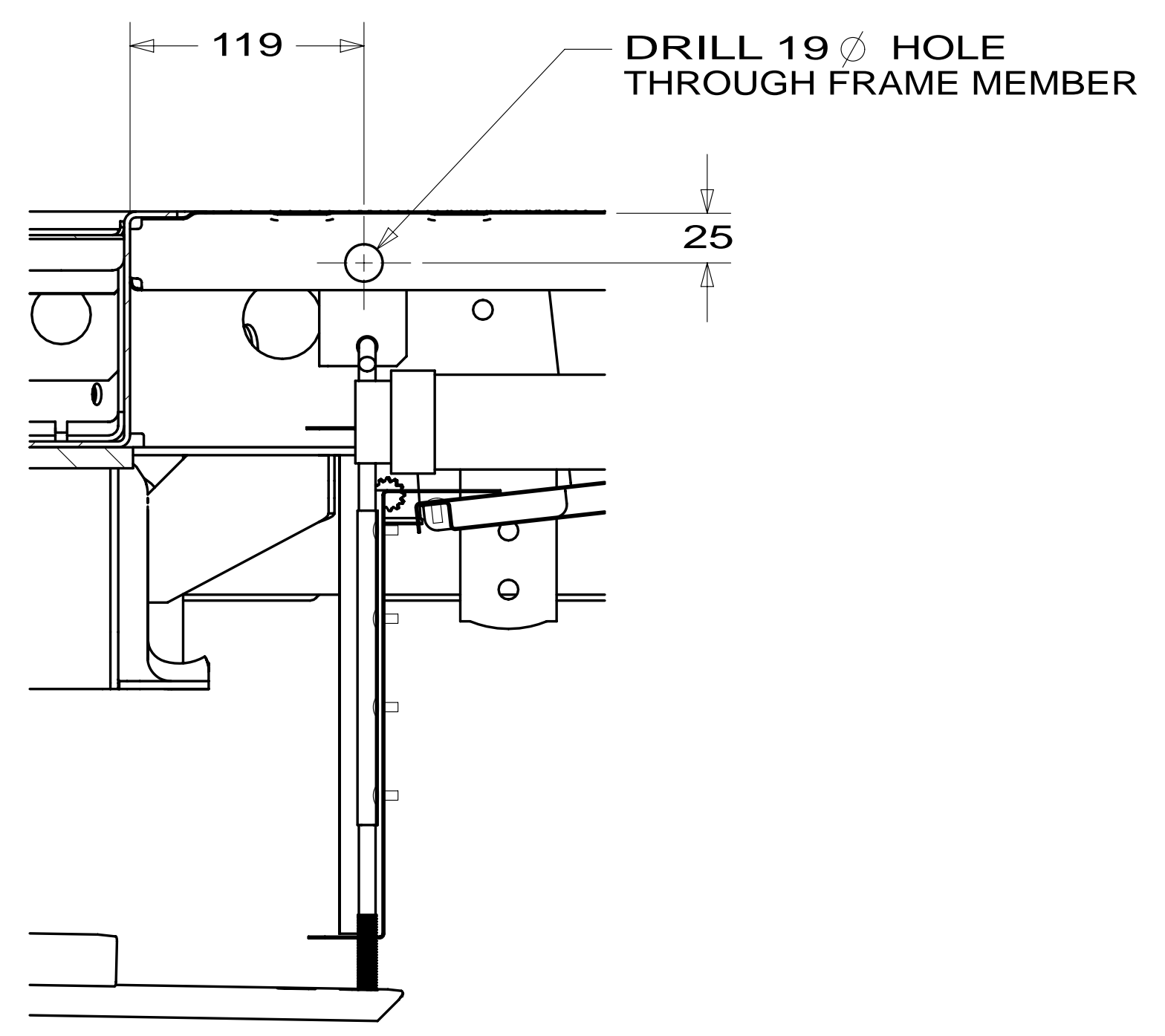


FIRST USED	13 170A	
DO NOT SCALE DRAWING		
TITLE: DRAINAGE SYSTEM INSTL		
SHEET 3	PART NO 180151	REV
		08-Feb-2013

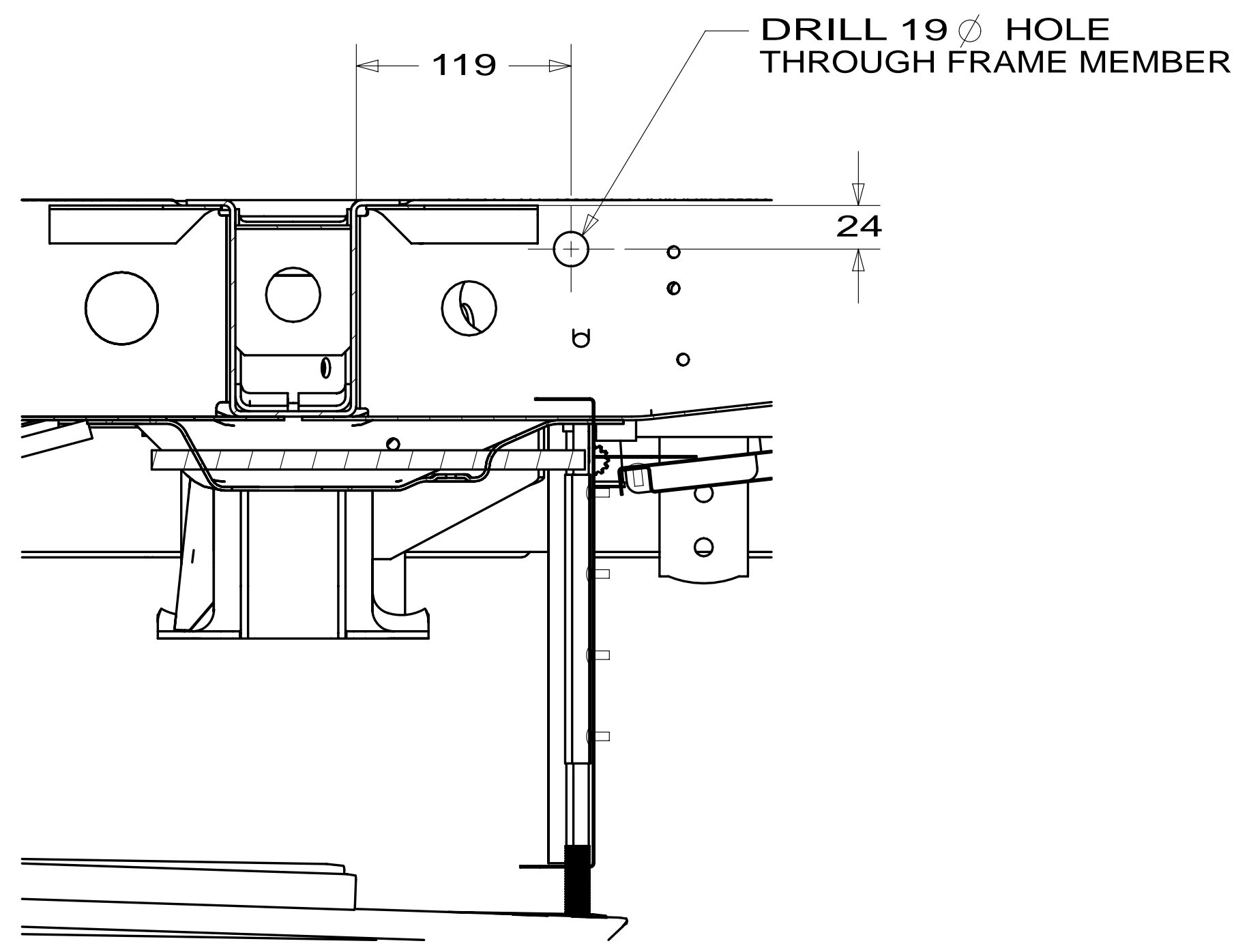
\* 180151 \* A



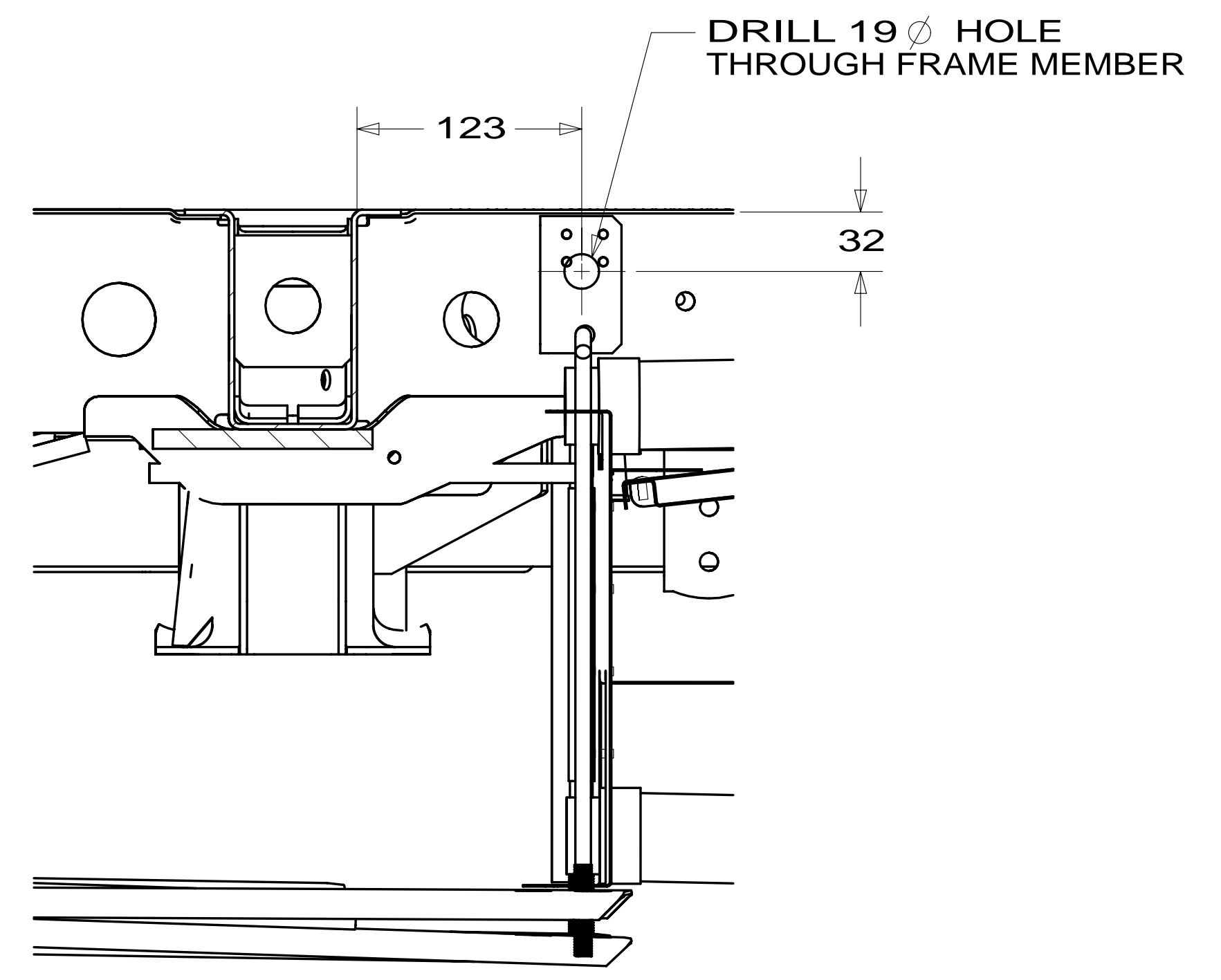
VIEW H



SECTION K-K



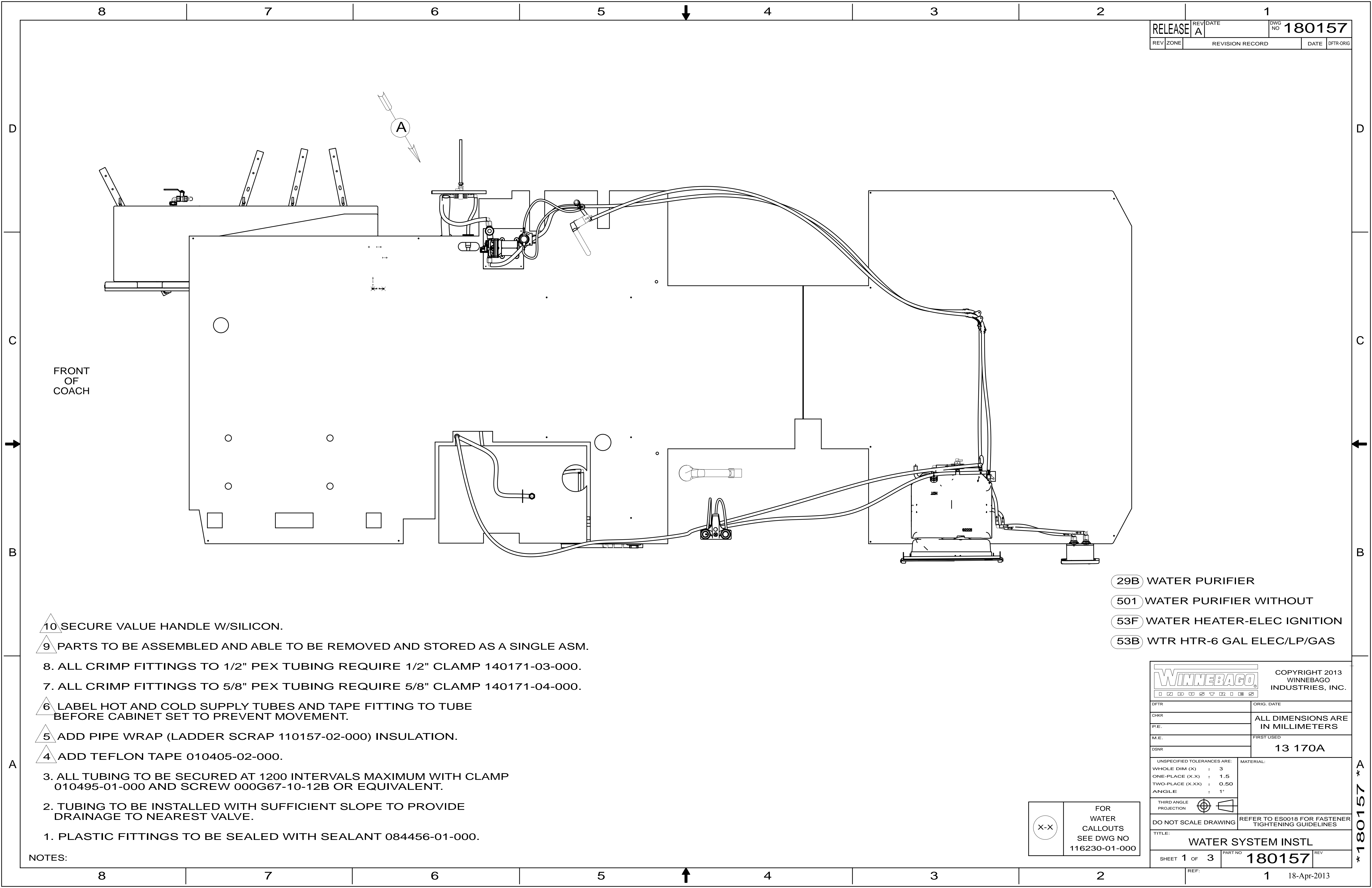
SECTION F-F



SECTION J-J

FIRST USED	13 170A		
TITLE:	DO NOT SCALE DRAWING		
TITLE:	DRAINAGE SYSTEM INSTL		
SHEET 4	PART NO	180151	REV
		1	08-Feb-2013

\* 180151 \* A



FRONT OF COACH

- 29B WATER PURIFIER
- 501 WATER PURIFIER WITHOUT
- 53F WATER HEATER-ELEC IGNITION
- 53B WTR HTR-6 GAL ELEC/LP/GAS

- NOTES:
- 10 SECURE VALVE HANDLE W/SILICON.
  - 9 PARTS TO BE ASSEMBLED AND ABLE TO BE REMOVED AND STORED AS A SINGLE ASM.
  - 8. ALL CRIMP FITTINGS TO 1/2" PEX TUBING REQUIRE 1/2" CLAMP 140171-03-000.
  - 7. ALL CRIMP FITTINGS TO 5/8" PEX TUBING REQUIRE 5/8" CLAMP 140171-04-000.
  - 6 LABEL HOT AND COLD SUPPLY TUBES AND TAPE FITTING TO TUBE BEFORE CABINET SET TO PREVENT MOVEMENT.
  - 5 ADD PIPE WRAP (LADDER SCRAP 110157-02-000) INSULATION.
  - 4 ADD TEFLON TAPE 010405-02-000.
  - 3. ALL TUBING TO BE SECURED AT 1200 INTERVALS MAXIMUM WITH CLAMP 010495-01-000 AND SCREW 000G67-10-12B OR EQUIVALENT.
  - 2. TUBING TO BE INSTALLED WITH SUFFICIENT SLOPE TO PROVIDE DRAINAGE TO NEAREST VALVE.
  - 1. PLASTIC FITTINGS TO BE SEALED WITH SEALANT 084456-01-000.

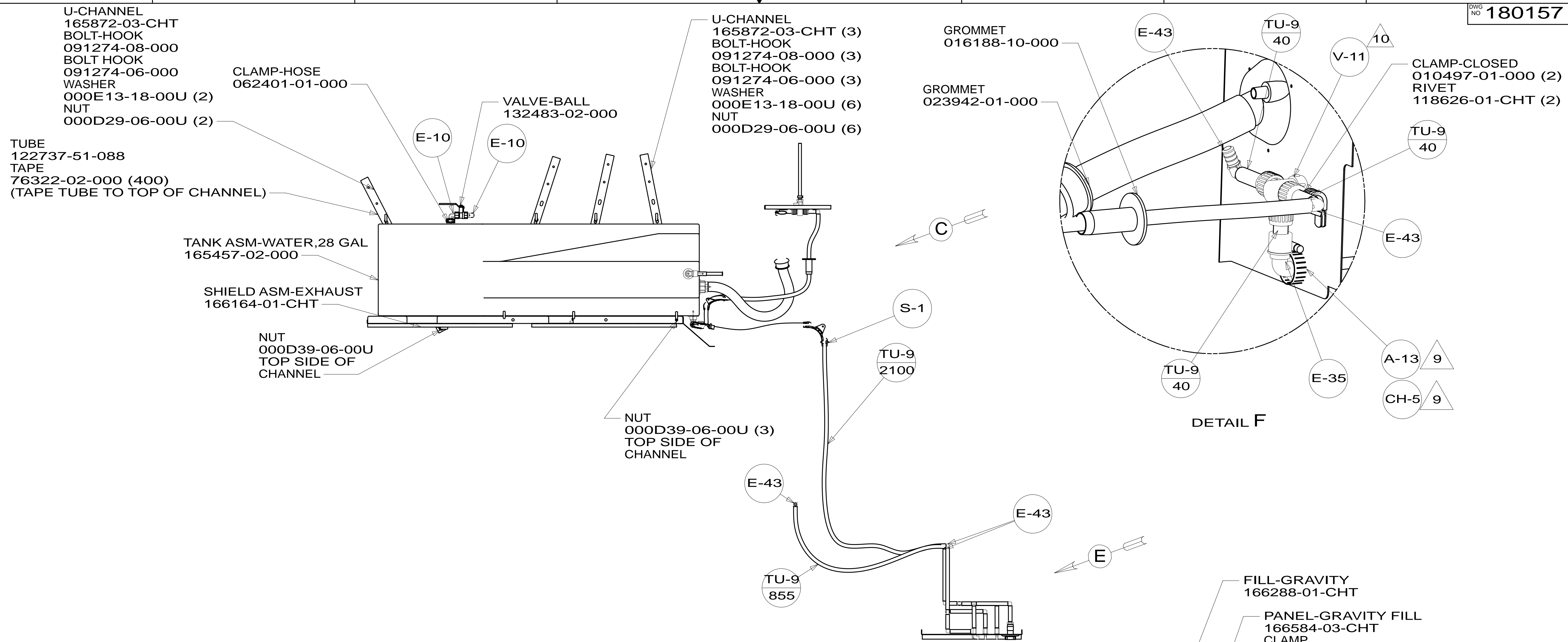
FOR WATER CALLOUTS SEE DWG NO 116230-01-000

		COPYRIGHT 2013 WINNEBAGO INDUSTRIES, INC.	
DFT-ORIG	ORIG. DATE	ALL DIMENSIONS ARE IN MILLIMETERS	
CHKR			
P.E.			
M.E.	FIRST USED	13 170A	
DSNR			
UNSPECIFIED TOLERANCES ARE:		MATERIAL:	
WHOLE DIM (X)	: 3		
ONE-PLACE (X.X)	: 1.5		
TWO-PLACE (X.XX)	: 0.50		
ANGLE	: 1°		
THIRD ANGLE PROJECTION			
DO NOT SCALE DRAWING		REFER TO ES0018 FOR FASTENER TIGHTENING GUIDELINES	
TITLE: WATER SYSTEM INSTL			
SHEET 1 OF 3	PART NO 180157	REV	
REF:	1	18-Apr-2013	

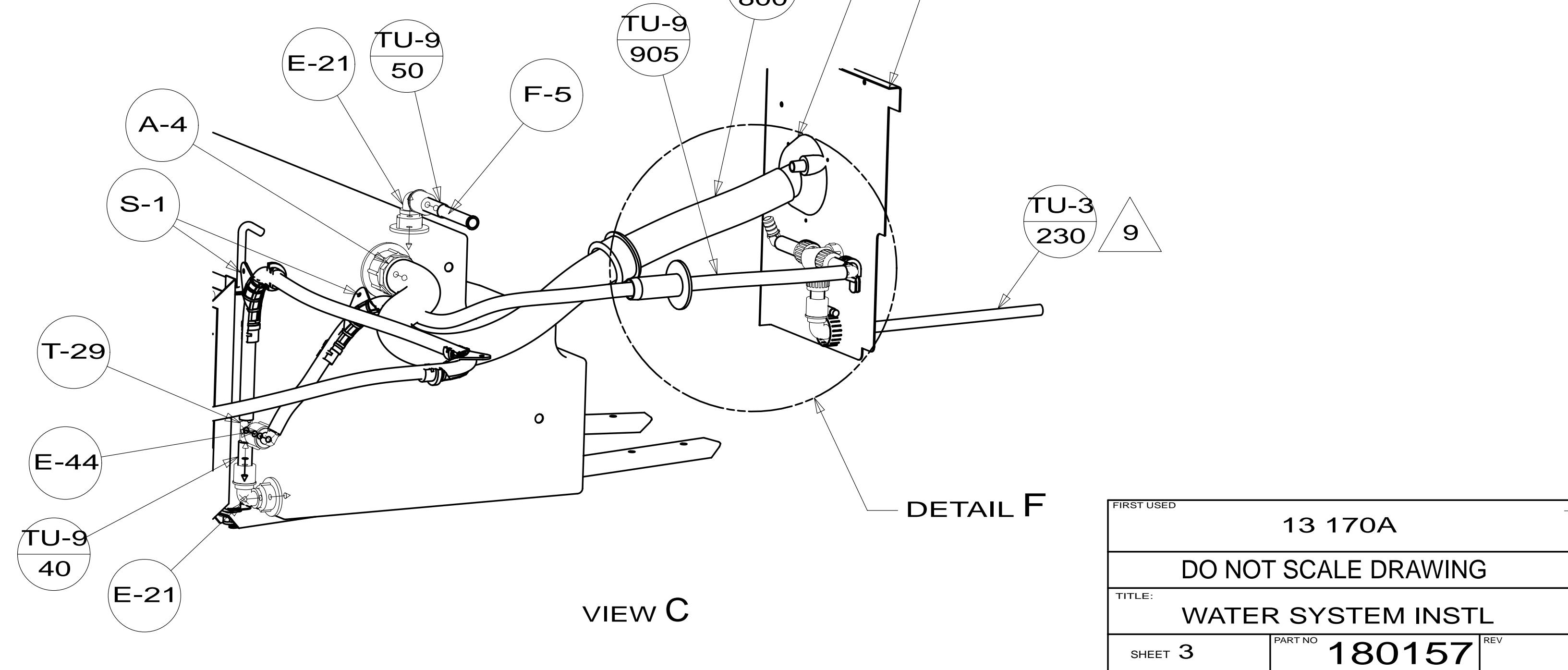
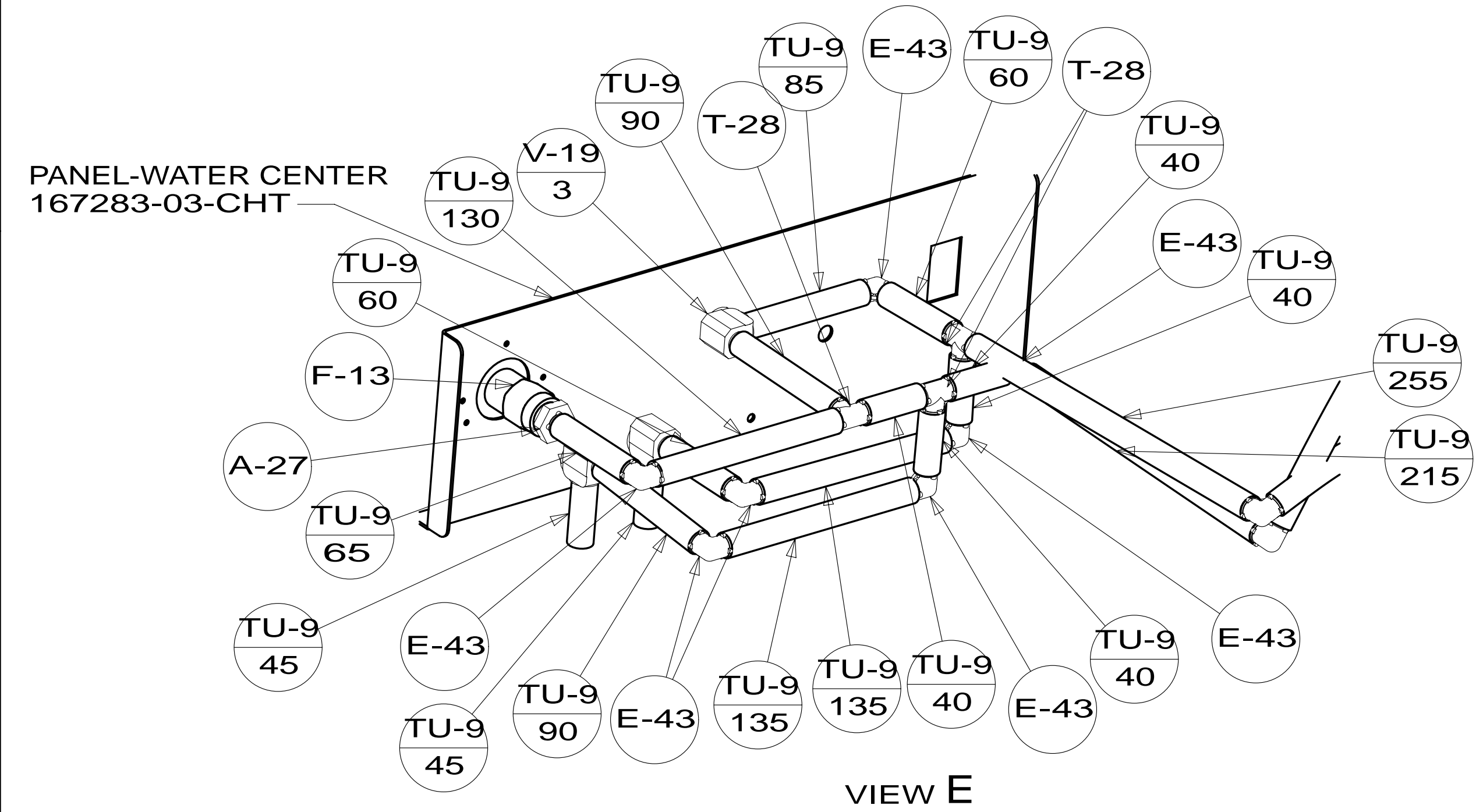
\* 180157 \* A







### WATER LINES AND TANKS UNDER FLOOR



FIRST USED	13 170A	
TITLE:	DO NOT SCALE DRAWING	
SHEET 3	PART NO	180157
	REV	
18-Apr-2013		

\* 180157 \* A