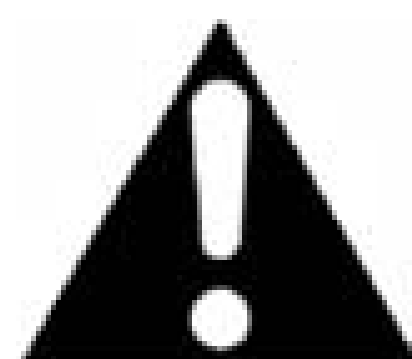




**DANGER**

**Danger of electrical shock, burns or death.** Always remove all power sources before attempting any repair, service or diagnostic work. Power can be present from shore power, generator, inverter or battery. All power sources must be disabled and secured before performing any service.

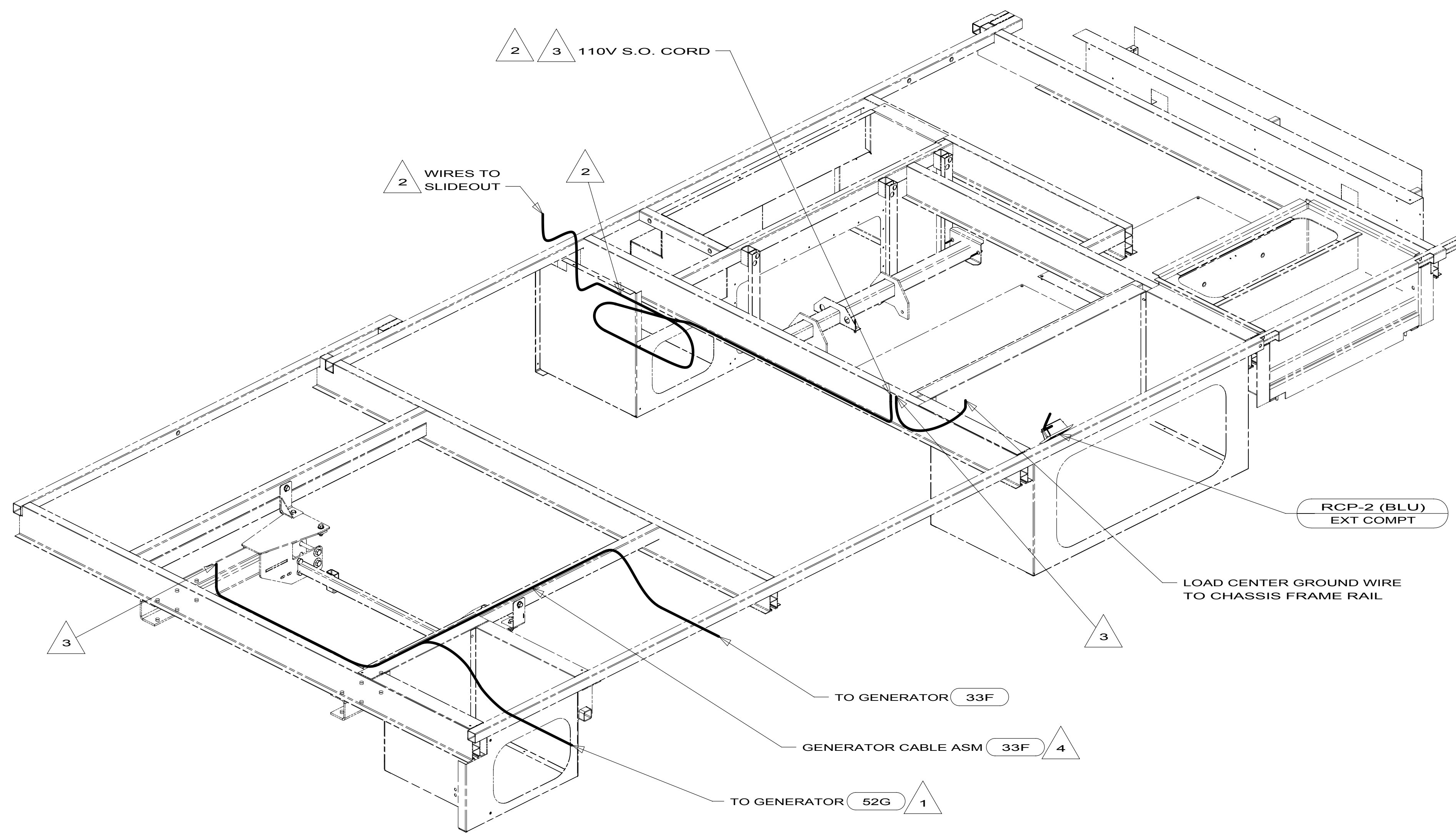


**CAUTION**

If you lack the skills, tools or equipment to perform diagnostic or repair work leave such work to an authorized Winnebago Industries dealer or other qualified shop.

DRAWING NO.	FEATURE
179342-01	-----
179342-11	1B1 12D
179342-15	265 12D

RELEASE	REV DATE	DWG NO	179342
REV ZONE	REVISION RECORD	DATE	DTR-ORIG



- 33F GEN-3.2 KW ONAN DIESEL
- 52G GEN-3.6KW ONAN LP MICROQUIET
- 12D ELECTRICAL SYSTEM 30 AMP
- 265 CODES/STANDARDS-CSA/CMVSS
- 1B1 CODES/STANDARDS USA

1B1 265 12D

**WINNEBAGO**  
INDUSTRIES

COPYRIGHT 2011  
WINNEBAGO  
INDUSTRIES, INC.

DTR	ORIG. DATE
CHKR	ALL DIMENSIONS ARE IN MILLIMETERS
P.E.	
M.E.	FIRST USED
DSNR	<b>12 524J</b>

UNSPECIFIED TOLERANCES ARE:

WHOLE DIM (X)	: 3
ONE-PLACE (X.X)	: 1.5
TWO-PLACE (X.XX)	: 0.50
ANGLE	: 1°

THIRD ANGLE PROJECTION

DO NOT SCALE DRAWING REFER TO ES0018 FOR FASTENER TIGHTENING GUIDELINES

TITLE: **WIRING INSTL-BODY, 110V**

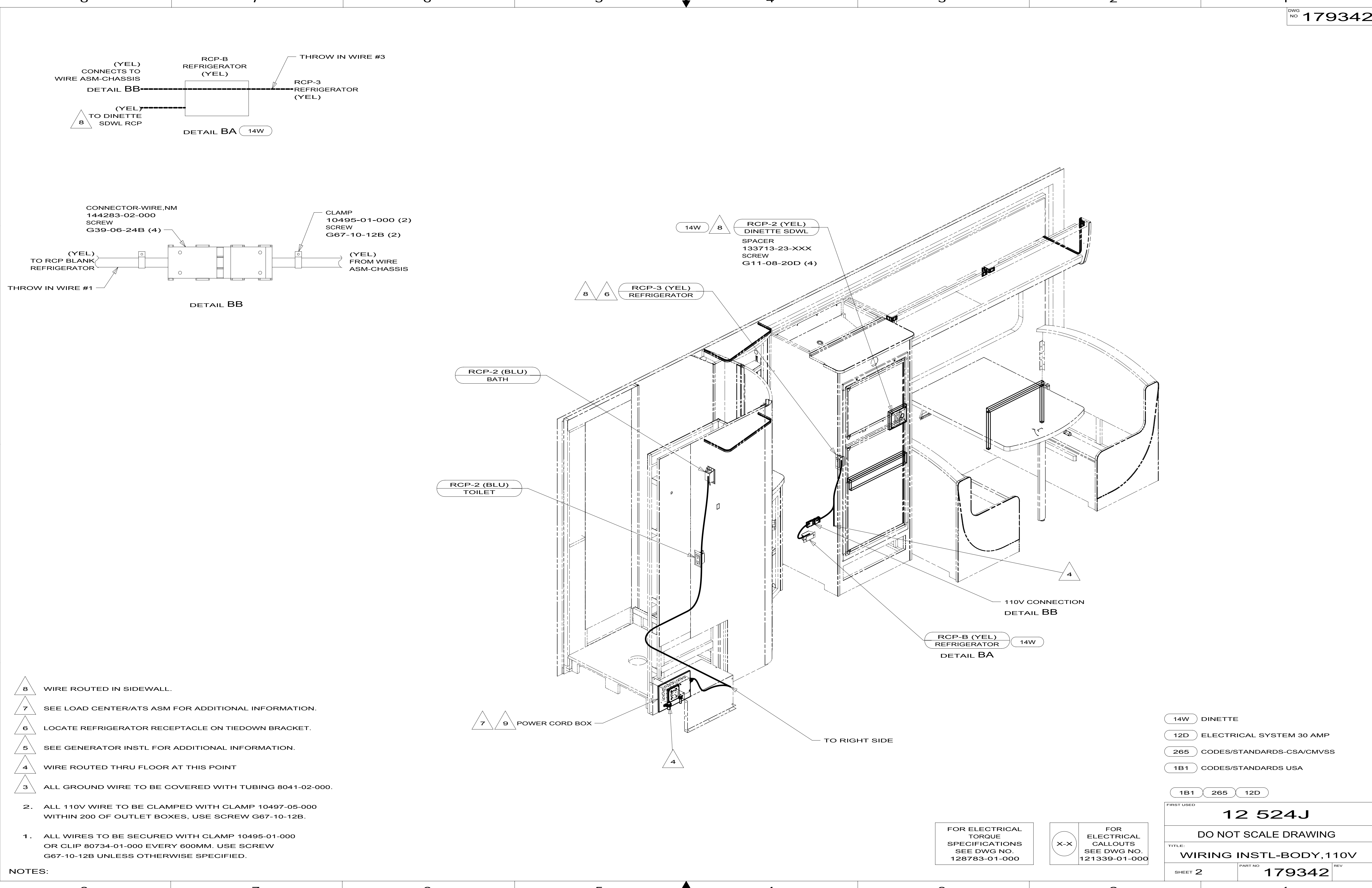
SHEET **1** OF **4** PART NO **179342** REV

REF: **1** 2/29/2012

- NOTES:
- 4 SEE LOAD CENTER/ATS ASM FOR ADDITIONAL INFORMATION.
  - 3 WIRE PASSES THROUGH THE FLOOR IN THIS AREA
  - 2 FLEX CORD IS PART OF WIRE ASM-CHASSIS.
  - 1 SEE GENERATOR INSTL FOR ADDITIONAL INFORMATION.

FOR ELECTRICAL TORQUE SPECIFICATIONS SEE DWG NO. 128783-01-000

FOR ELECTRICAL CALLOUTS SEE DWG NO. 121339-01-000



- 8 WIRE ROUTED IN SIDEWALL.
- 7 SEE LOAD CENTER/ATS ASM FOR ADDITIONAL INFORMATION.
- 6 LOCATE REFRIGERATOR RECEPTACLE ON TIEDOWN BRACKET.
- 5 SEE GENERATOR INSTL FOR ADDITIONAL INFORMATION.
- 4 WIRE ROUTED THRU FLOOR AT THIS POINT
- 3 ALL GROUND WIRE TO BE COVERED WITH TUBING 8041-02-000.

2. ALL 110V WIRE TO BE CLAMPED WITH CLAMP 10497-05-000 WITHIN 200 OF OUTLET BOXES, USE SCREW G67-10-12B.
1. ALL WIRES TO BE SECURED WITH CLAMP 10495-01-000 OR CLIP 80734-01-000 EVERY 600MM. USE SCREW G67-10-12B UNLESS OTHERWISE SPECIFIED.

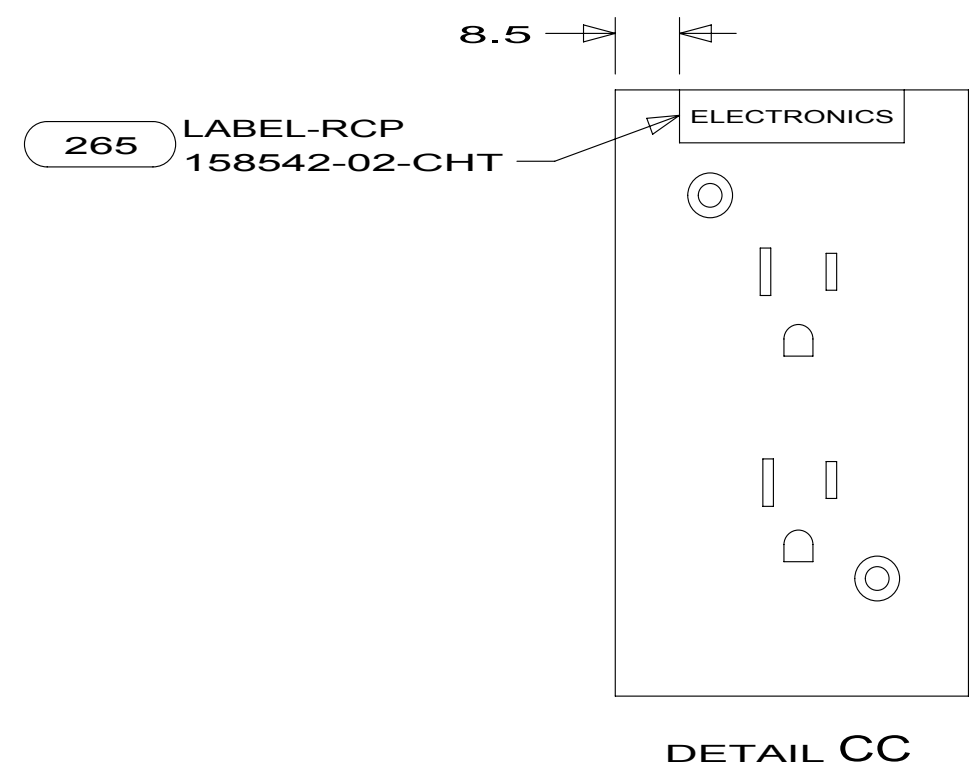
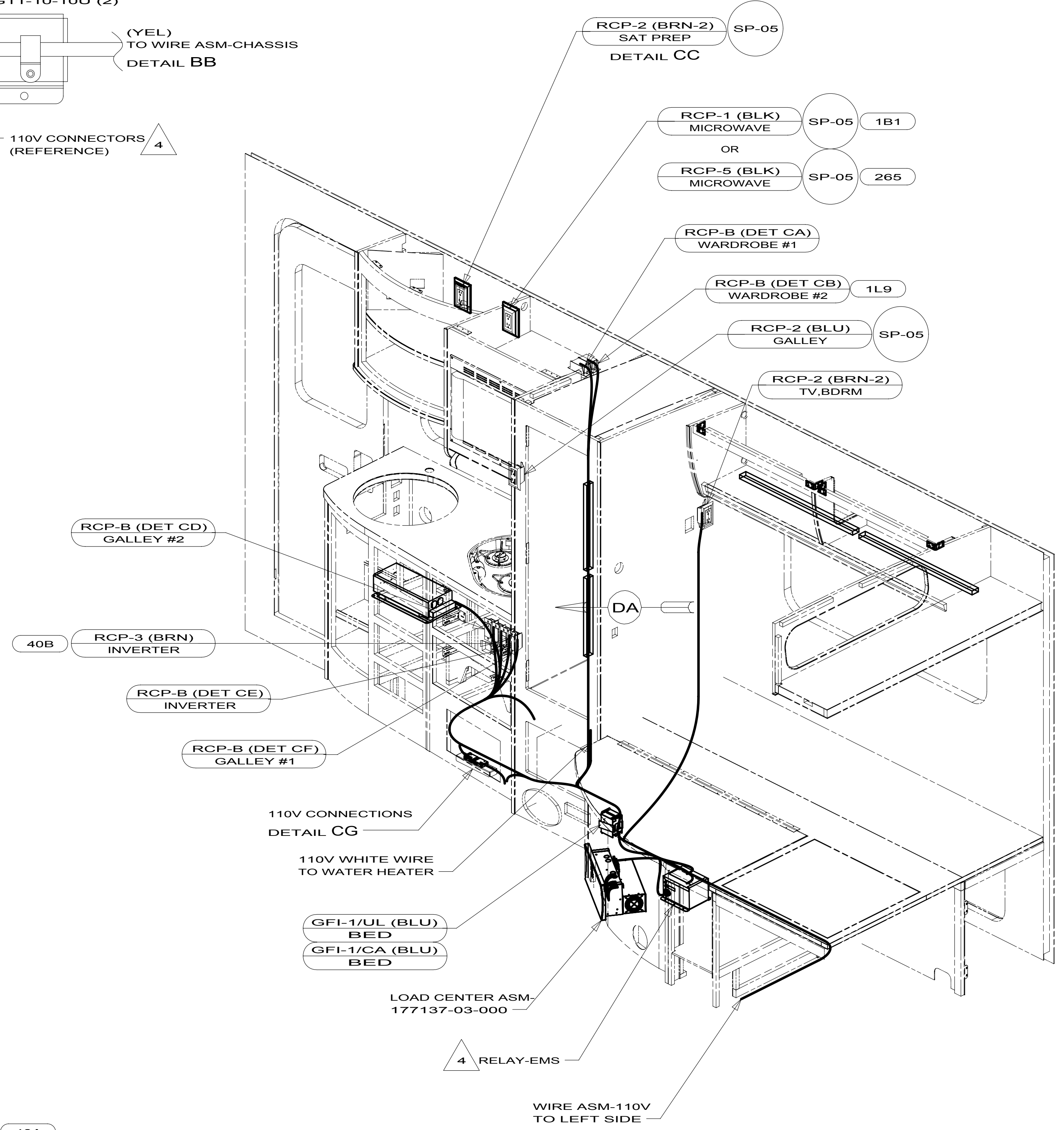
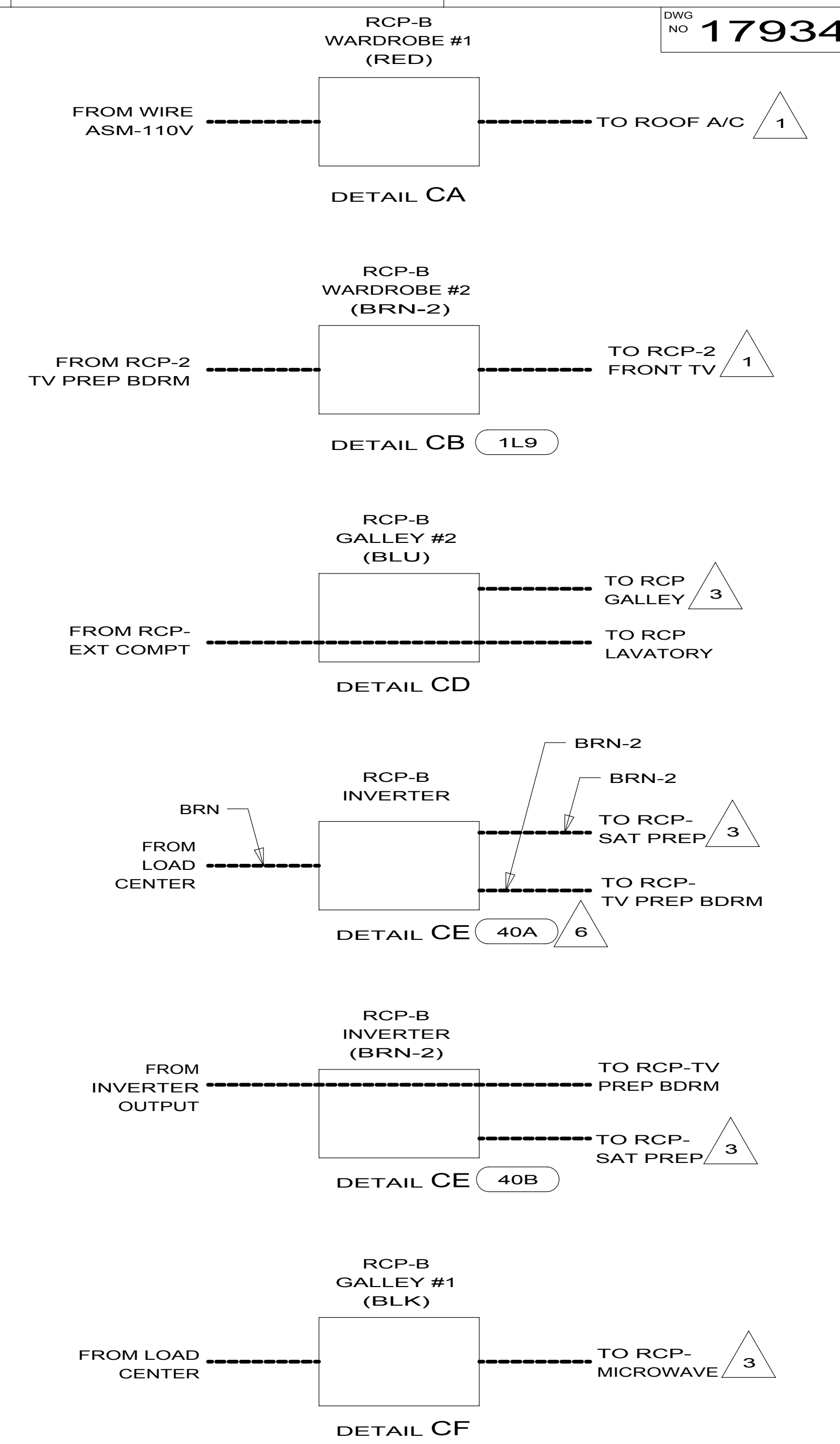
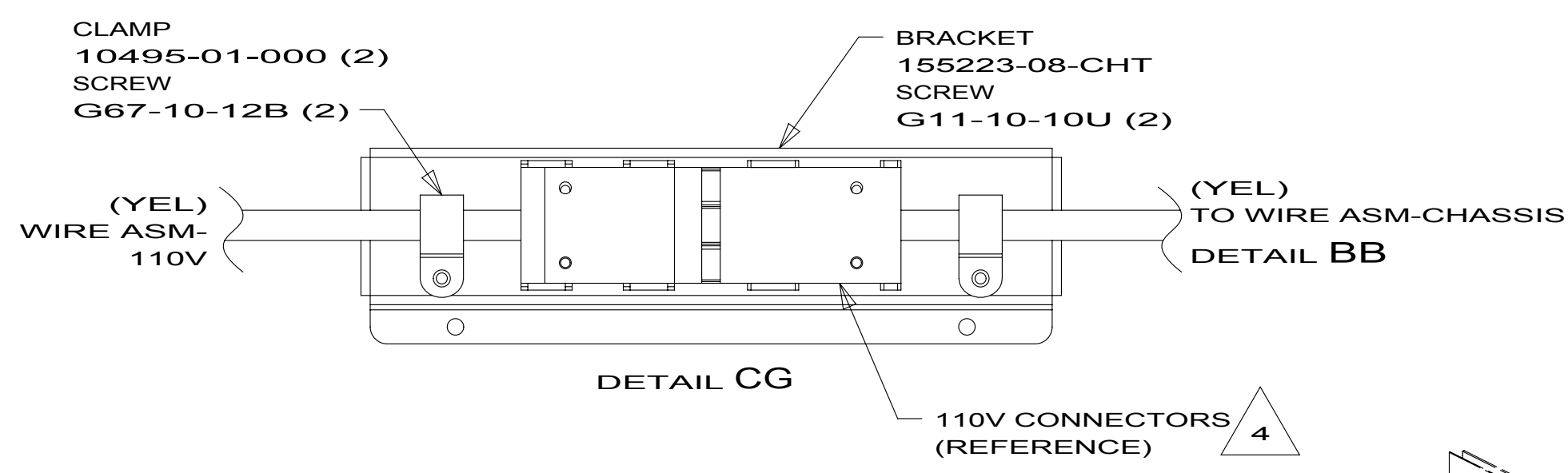
NOTES:

FOR ELECTRICAL TORQUE SPECIFICATIONS SEE DWG NO. 128783-01-000

FOR ELECTRICAL CALLOUTS SEE DWG NO. 121339-01-000

- 14W DINETTE
- 12D ELECTRICAL SYSTEM 30 AMP
- 265 CODES/STANDARDS-CSA/CMVSS
- 1B1 CODES/STANDARDS USA

FIRST USED	
<b>12 524J</b>	
<b>DO NOT SCALE DRAWING</b>	
<b>TITLE: WIRING INSTL-BODY, 110V</b>	
SHEET 2	PART NO. <b>179342</b> REV



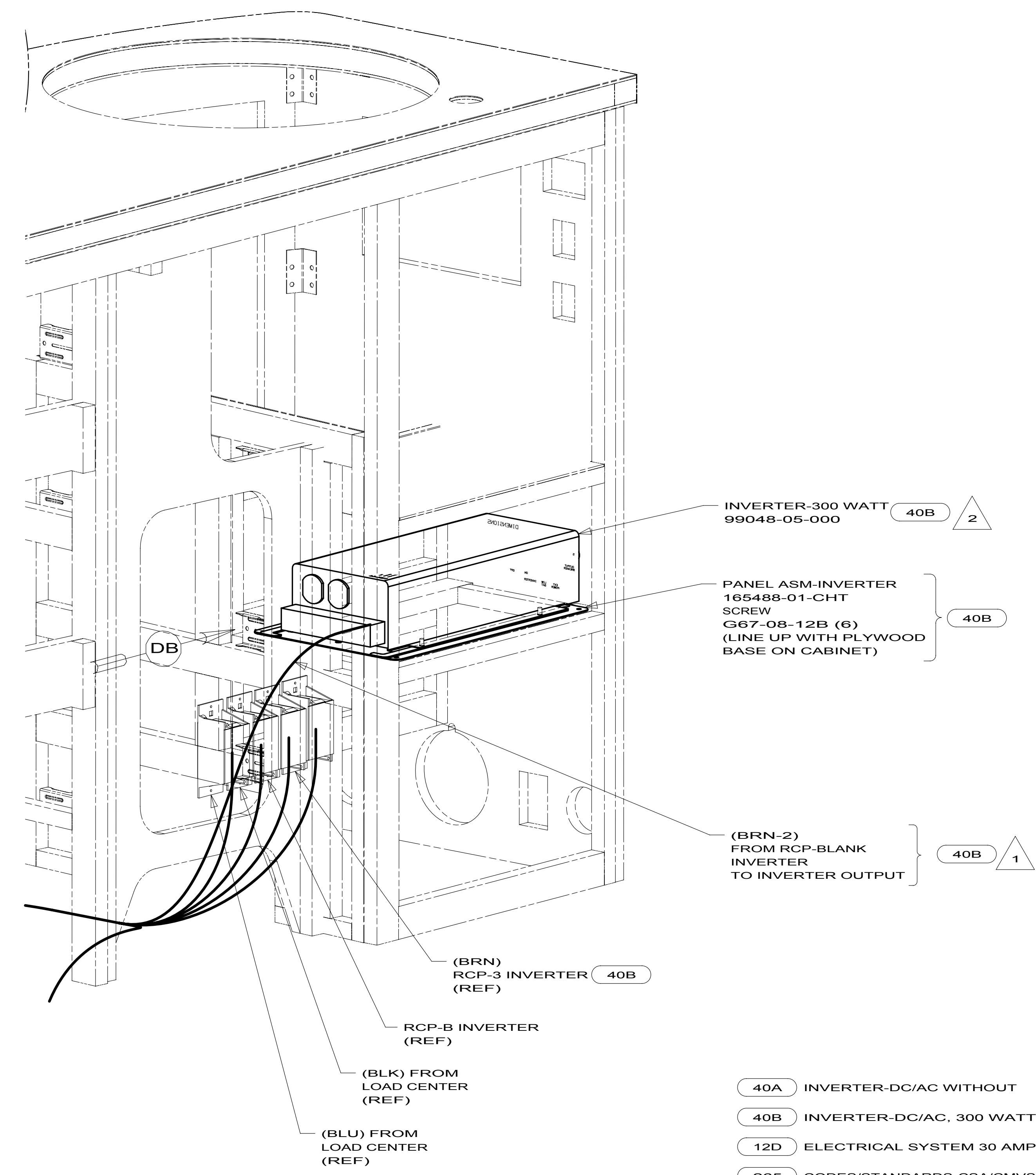
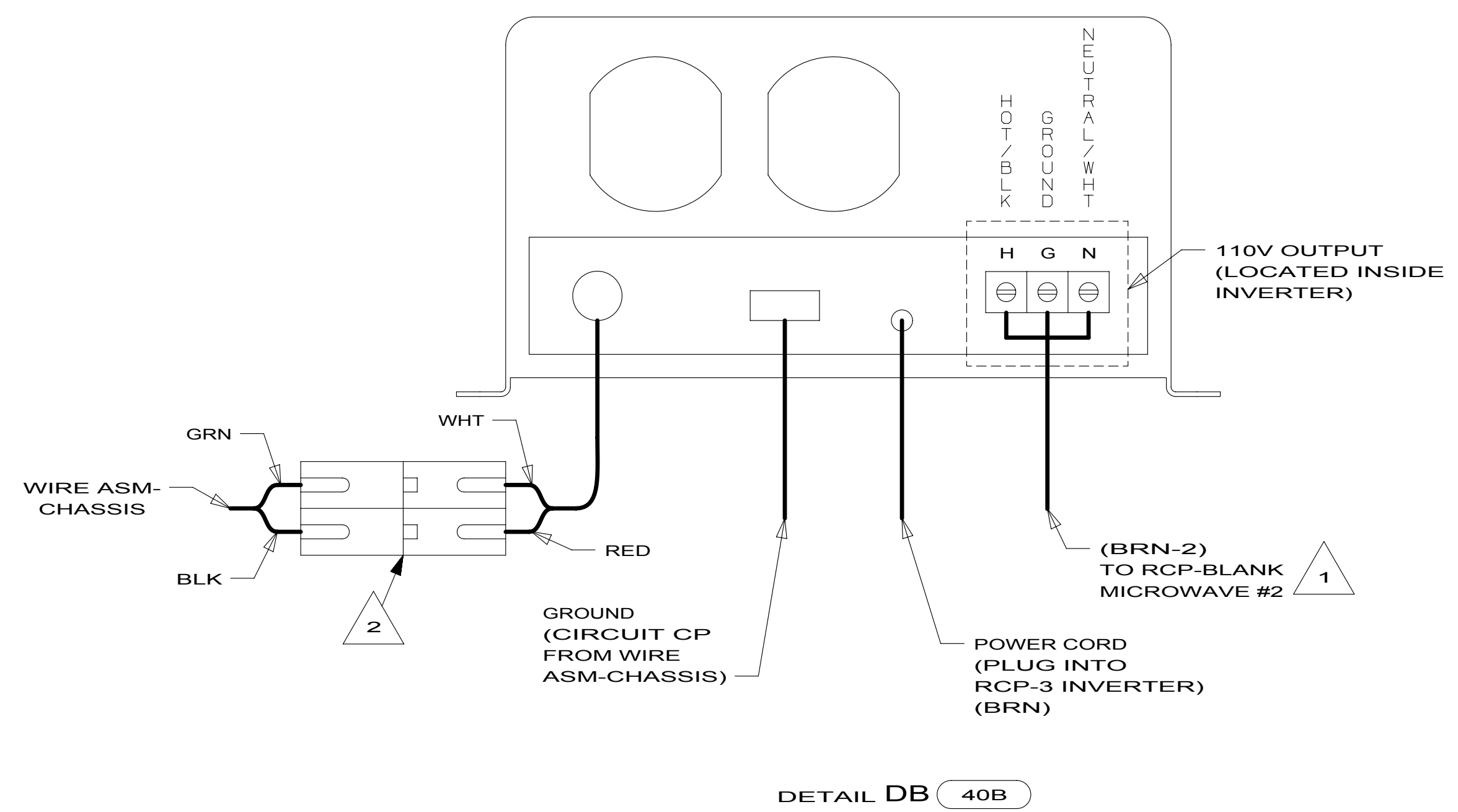
- NOTES:
- 6 BRN-2 LOOP UNDER GALLEY DOES NOT CONNECT TO ANYTHING. TAPE LOOP BACK TO MAIN LOOM. WITH 40A
  - 5 CLAMP GENERATOR CABLE TO CABINET-BED SO THAT IT DOES NOT COME IN CONTACT WITH FURNACE
  - 4 SEE LOAD CENTER/ATS ASM FOR ADDITIONAL INFORMATION.
  - 3 WIRE ROUTED IN SIDEWALL.
  - 2 SEE GENERATOR INSTL FOR ADDITIONAL INFORMATION.
  - 1 WIRE ROUTED IN ROOF.

- 40A INVERTER-DC/AC WITHOUT
- 40B INVERTER-DC/AC, 300 WATT
- 52G GEN-3.6KW ONAN LP MICROQUIET
- 1D5 ENTERTAINMENT CENTR/EXT W/CD
- 12D ELECTRICAL SYSTEM 30 AMP
- 265 CODES/STANDARDS-CSA/CMVSS
- 1B1 CODES/STANDARDS USA

1B1	265	12D
FIRST USED		
<b>12 524J</b>		
DO NOT SCALE DRAWING		
TITLE: <b>WIRING INSTL-BODY, 110V</b>		
SHEET 3	PART NO. <b>179342</b>	REV

FOR ELECTRICAL TORQUE SPECIFICATIONS SEE DWG NO. 128783-01-000

FOR ELECTRICAL CALLOUTS SEE DWG NO. 121339-01-000



VIEW DA

- 40A INVERTER-DC/AC WITHOUT
- 40B INVERTER-DC/AC, 300 WATT
- 12D ELECTRICAL SYSTEM 30 AMP
- 265 CODES/STANDARDS-CSA/CMVSS
- 1B1 CODES/STANDARDS USA

2 WHEN CONNECTING 12VDC POWER WIRES MAKE SURE THAT THE POLARITY IS CORRECT. (BLK-RED, GRN-WHT)

1 SEE LOAD CENTER/ATS ASM FOR ADDITIONAL INFORMATION.

FOR ELECTRICAL TORQUE SPECIFICATIONS SEE DWG NO. 128783-01-000

FOR ELECTRICAL CALLOUTS SEE DWG NO. 121339-01-000

FIRST USED	<b>12 524J</b>	
<b>DO NOT SCALE DRAWING</b>		
<b>TITLE: WIRING INSTL-BODY, 110V</b>		
SHEET 4	PART NO. <b>179342</b>	REV