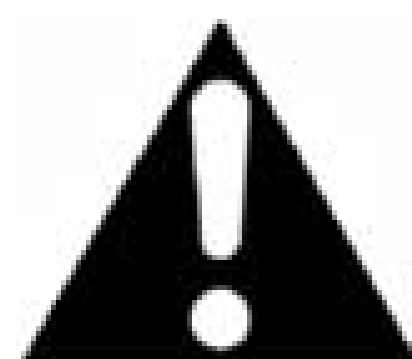




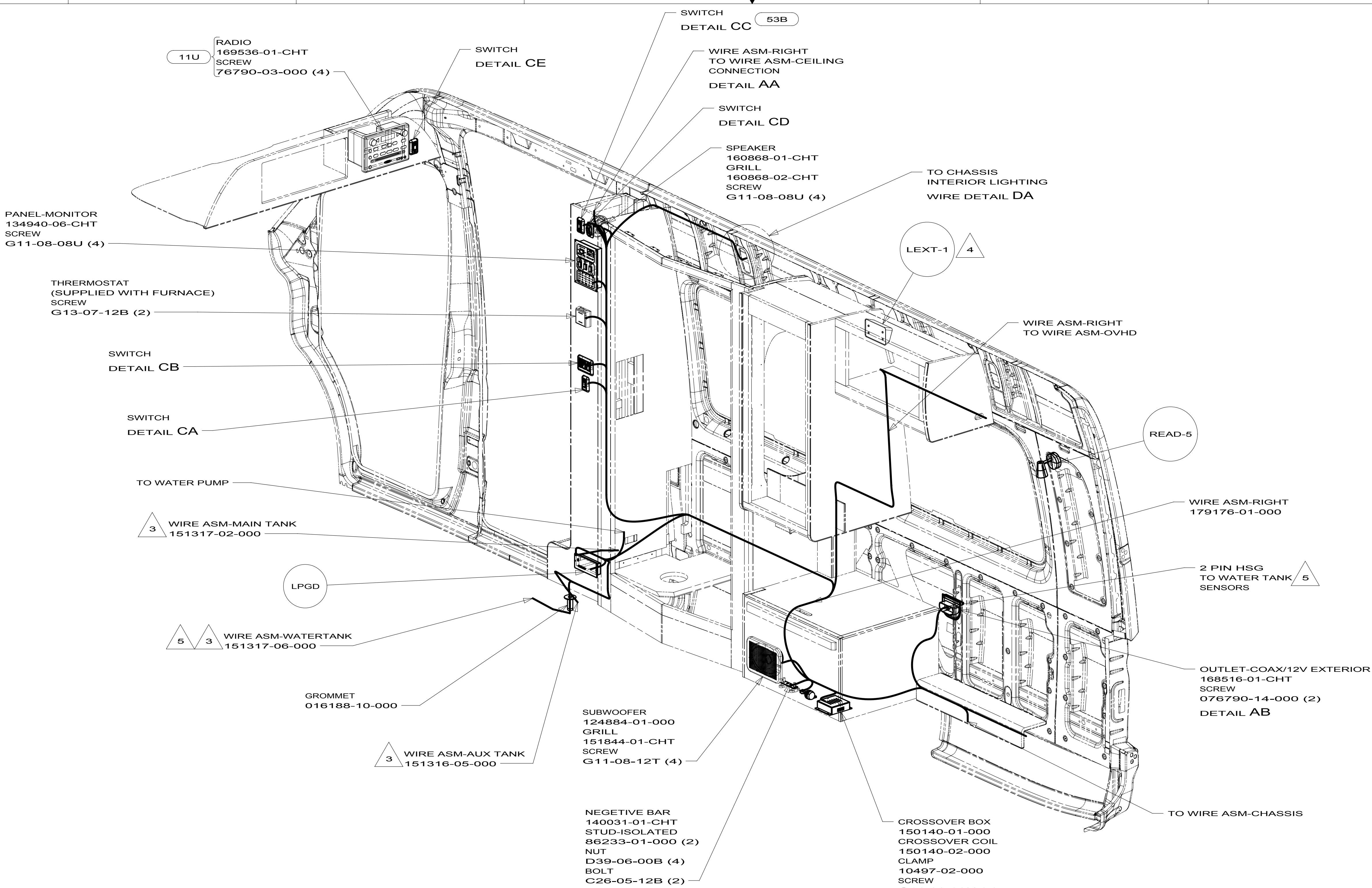
**DANGER**

**Danger of electrical shock, burns or death.** Always remove all power sources before attempting any repair, service or diagnostic work. Power can be present from shore power, generator, inverter or battery. All power sources must be disabled and secured before performing any service.

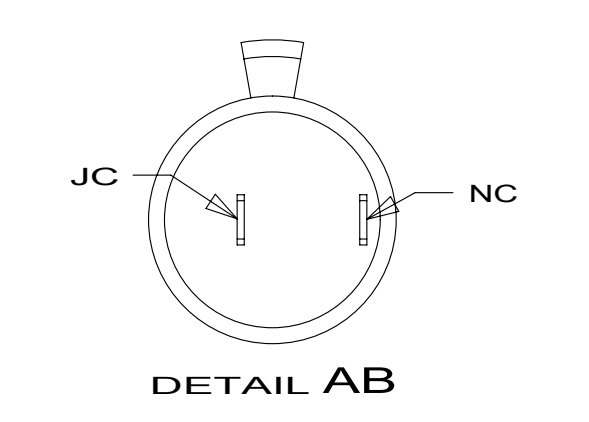
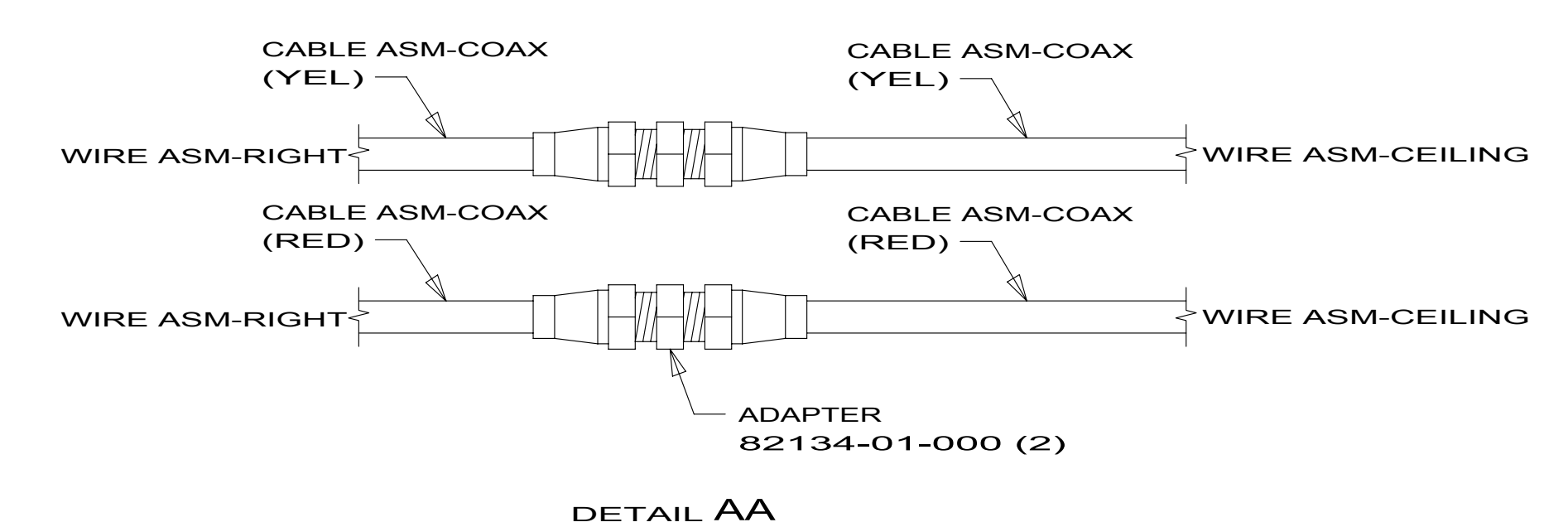


**CAUTION**

If you lack the skills, tools or equipment to perform diagnostic or repair work leave such work to an authorized Winnebago Industries dealer or other qualified shop.



- 5 WATER TANK MAY BE LOCATED UNDER COUCH DEPENDING ON CHASSIS DEF TANK LOCATION.
- 4 MOUNT ON EXTERIOR SURFACE OF VAN SIDEWALL.
- 3 PLACE CROSS LOCATOR ON SENSORS OVER DIMPLES ON TANK.
2. ROUTE TANK SENSOR WIRES SO THEY DO NOT PASSOVER SENSORS. USE WIRE TIE MOUNT 155366-01-000 AND WIRE TIE 8343-01-000 AS NEEDED. TANK SURFACE MUST BE CLEANED USING ISOPROPYL ALCOHOL AND PRIMED WITH PRIMER 94.
1. ALL WIRES TO BE SECURED WITH CLAMP 10495 OR 10497 OR WIRE TIE 8343 OR 108046 EVERY 600MM, USE SCREW G67-XX-XXX OR G56-XX-XXX AS APPROPRIATE FOR ONSTALLATION.

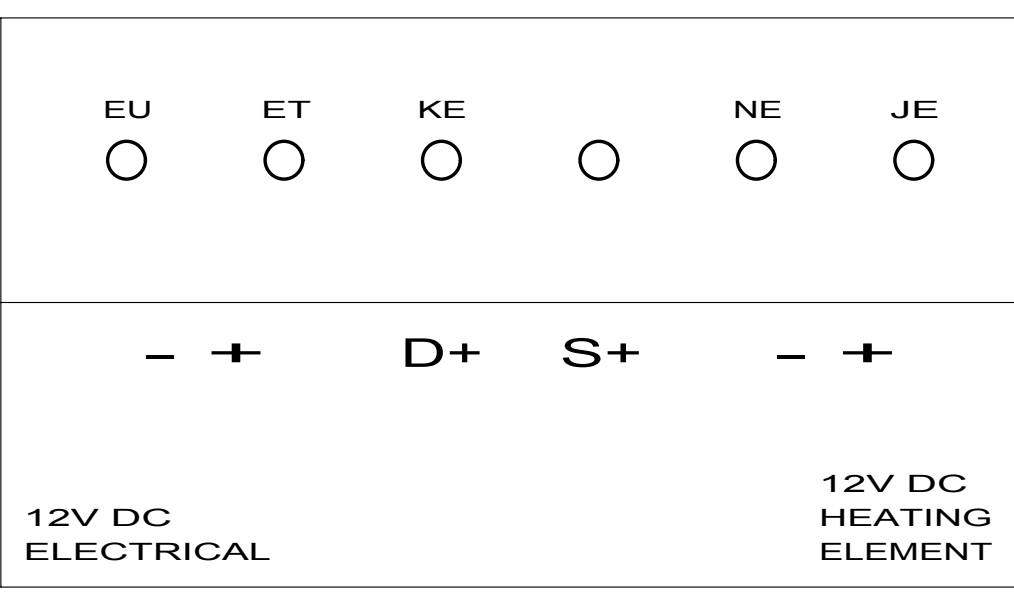


FOR ELECTRICAL TORQUE SPECIFICATIONS SEE DWG NO. 128783-01-000

FOR ELECTRICAL CALLOUTS SEE DWG NO. 121339-01-000

- 11U TV-22"DC,LCD,STEREO/CD/DVD
- 53B WTR HTR-6GAL ELECTRIC/LP GAS
- 265 CODES/STANDARDS-CSA/CMVSS
- 1B1 CODES/STANDARDS USA

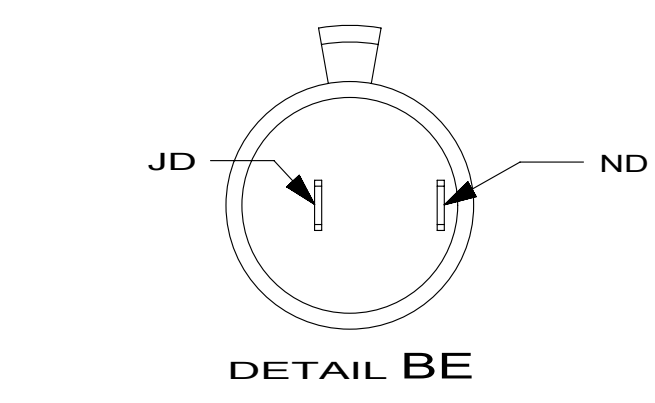
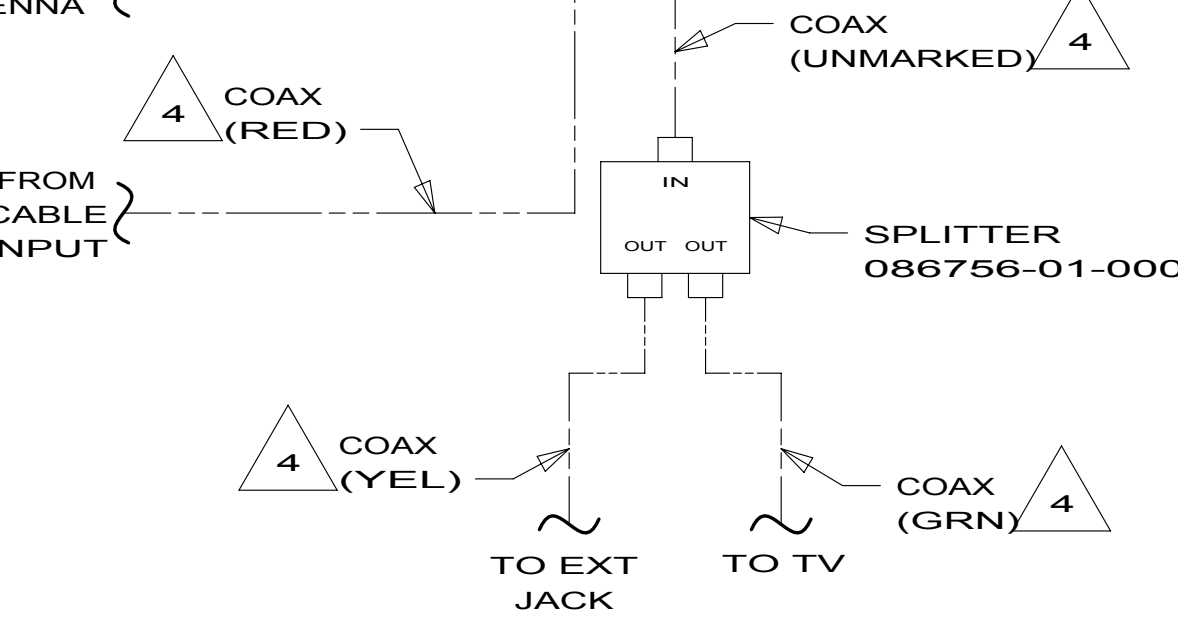
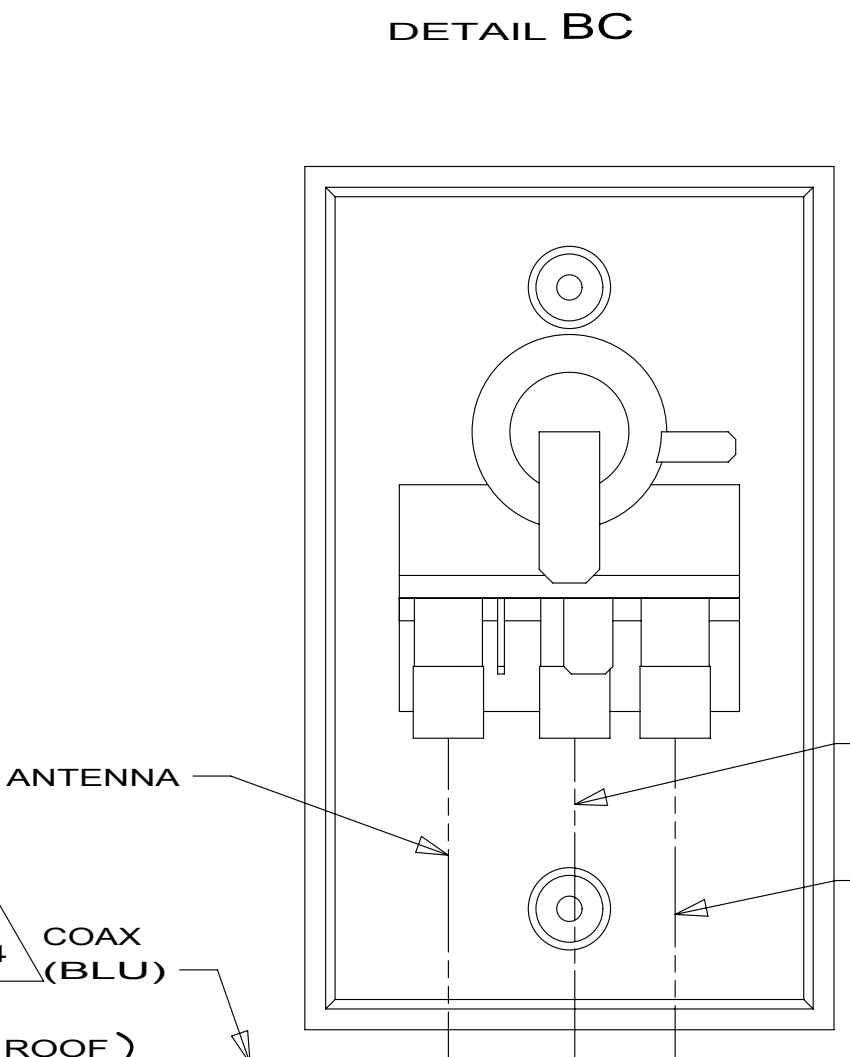
		COPYRIGHT 2011 WINNEBAGO INDUSTRIES, INC.
DFT-ORIG	ORIG. DATE	
CHKR	ALL DIMENSIONS ARE IN MILLIMETERS	
P.E.		
M.E.	FIRST USED	
DSNR	12 170X	
UNSPECIFIED TOLERANCES ARE:		MATERIAL:
WHOLE DIM (X)	: 3	
ONE-PLACE (X.X)	: 1.5	
TWO-PLACE (X.XX)	: 0.50	
ANGLE	: 1°	
THIRD ANGLE PROJECTION		
DO NOT SCALE DRAWING		REFER TO ES0018 FOR FASTENER TIGHTENING GUIDELINES
TITLE: WIRING INSTL-BODY, 12V		
SHEET 1 OF 4	PART NO 178822	REV



REFRIGERATOR  
12V CONNECTION  
PLATE (REF)

- TV-LCD  
178877-01-000
- WIRE ASM-TV POWER  
178877-02-000
- COVER-WIRE  
180129-01-CHT
- SCREW  
OMG02B-04-012 (4)
- WASHER  
E14-10-00B (4)
- BRACKET-TV MTG  
179661-01-000 (2)
- BOLT  
C26-04-12F (4)
- NUT  
D39-04-00F (4)
- DETAIL BF

- SPEAKER  
160868-01-CHT
- GRILL  
160868-02-CHT
- SCREW  
G11-08-08U (4)



- SWITCH  
DETAIL CG
- WALLPLATE  
179004-02-CHT  
DETAIL BD

- SPEAKER  
160868-01-CHT (2)
- GRILL  
160868-02-CHT (2)
- SCREW  
G11-08-08U (8)

- READ-5
- SWITCH  
DETAIL CF

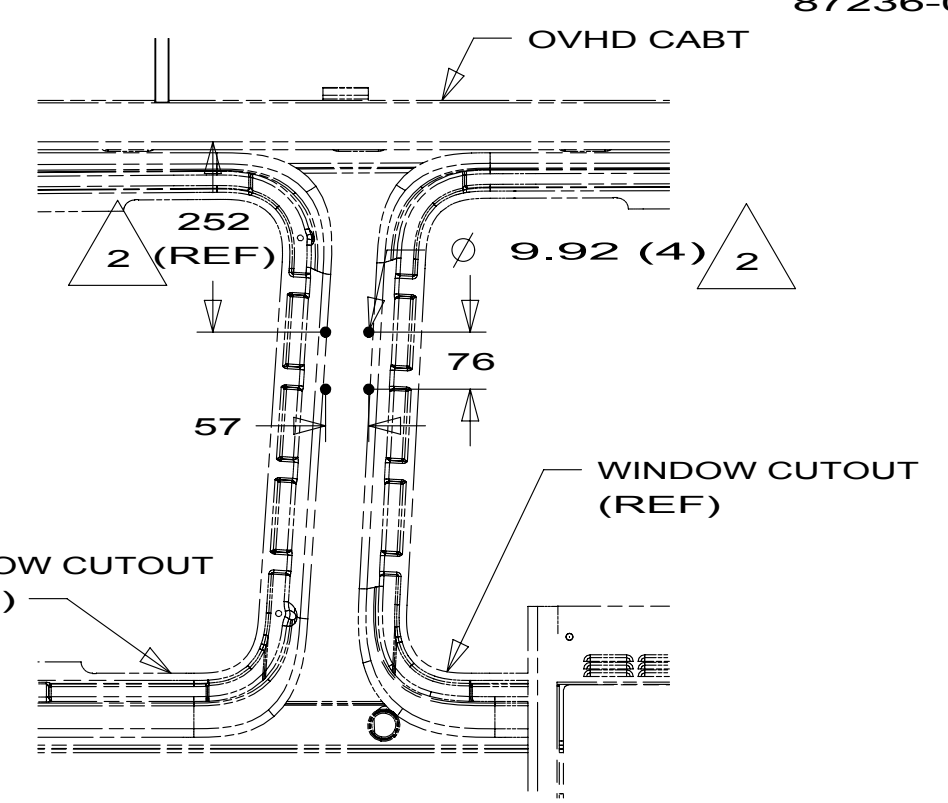
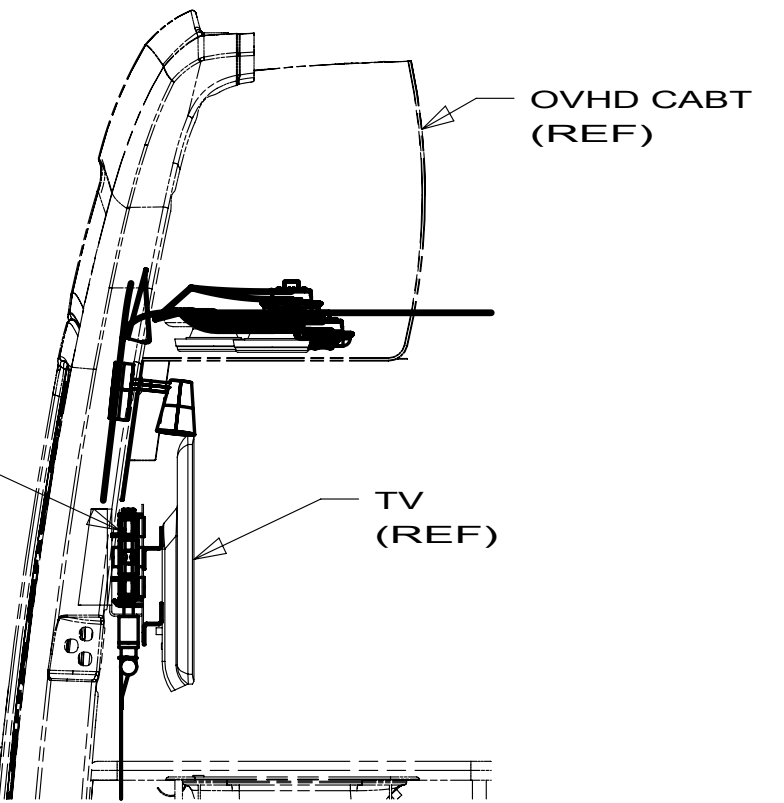
- WIRE ASM-OVHD,DINETTE  
167061-01-000

- SWITCH-SOFA  
136118-01-000

- RCP-12V  
132958-01-000  
DETAIL BE

- WIRE ASM-LEFT  
179175-01-000

- BRACKET-TV SWING MOUNT  
179241-02-CHT
- NUT-SERT  
39715-01-000 (4)
- BOLT  
C26-04-10B (4)
- CONVOLUTE  
41953-01-000  
(1200 MM)

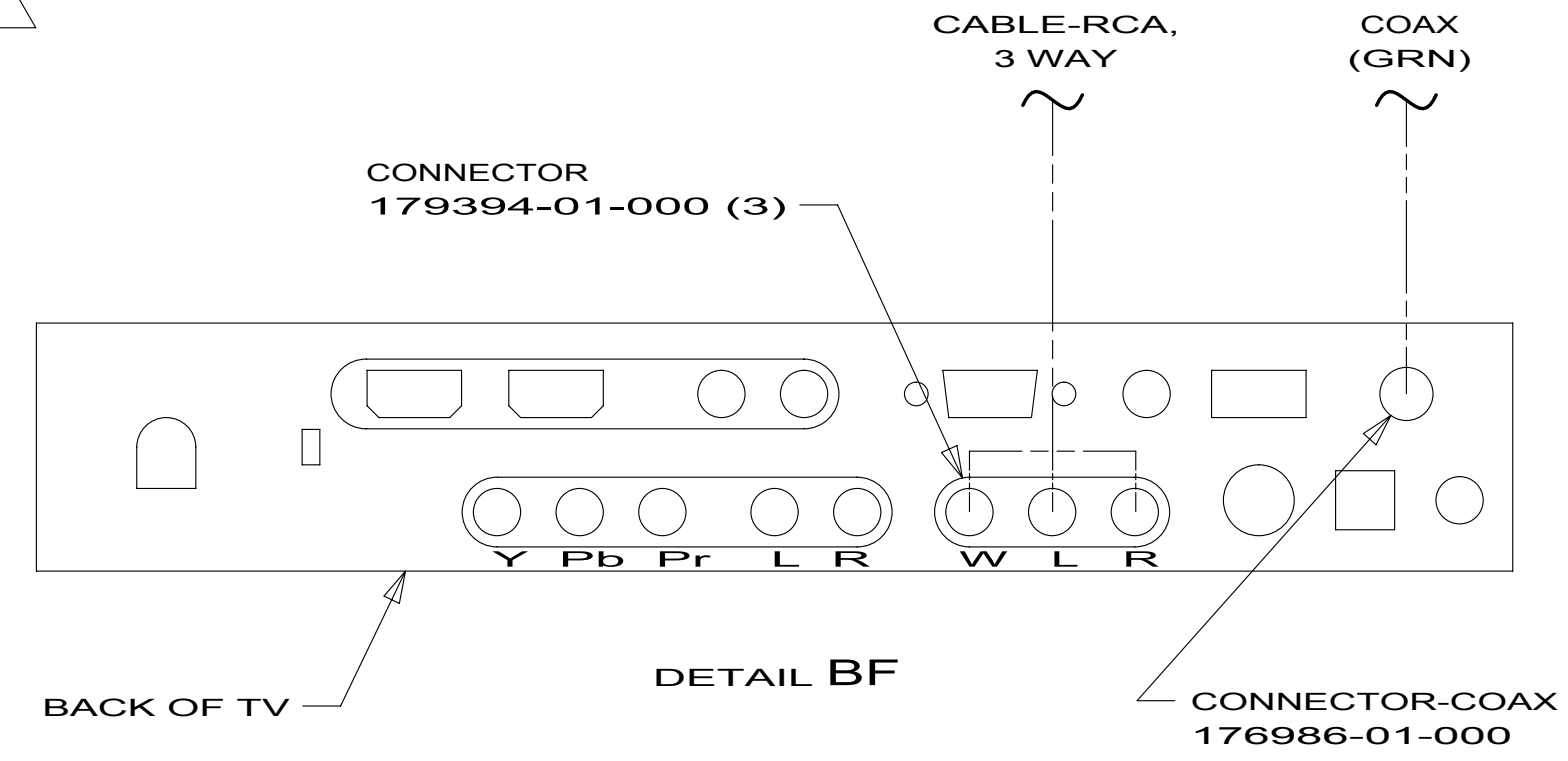


- LOAD CENTER (REFERENCE)
- NEGATIVE BAR  
140031-01-CHT
- STUD-ISOLATED  
86233-01-000 (2)
- NUT  
D39-06-00B (4)
- BOLT  
C26-05-12B (2)

- SWITCH-WATER PUMP  
108357-15-000  
ACTUATOR  
108356-03-CHT

- SWITCH-DRAIN PUMP  
108357-09-000  
ACTUATOR  
108356-01-CHT

- COAX (RED)  
ADAPTOR-COAX  
82134-01-000
- NUT  
82136-01-000
- LABEL  
87236-01-000



- 5 MOUNTED IN EXTERIOR SERVICE CENTER.
- 4 COAX IS PART OF WIRE ASM-OVHD.
- 3 COVER ALL WIRES AND CABLES WITH CONVOLUTED TUBING. SECURE TO TV BRACKET SO THAT WIRES AND CABLES DO NOT BECOME PINCHED.
- 2 LOCATE HOLES TO MATCH PANEL ASM-VERTICAL.

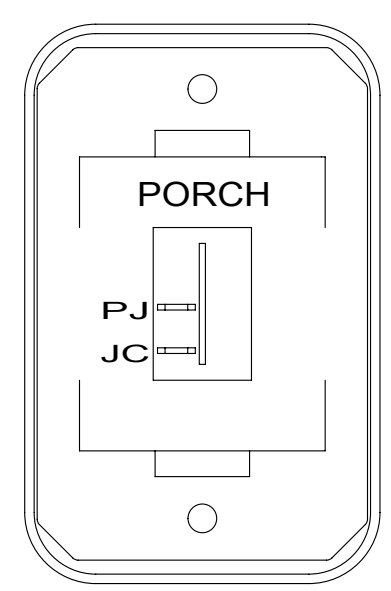
1. ALL WIRES TO BE SECURED WITH CLAMP 10495 OR 10497 OR WIRE TIE 8343 OR 108046 EVERY 600MM, USE SCREW G67-XX-XXX OR G56-XX-XXX AS APPROPRIATE FOR ONSTALLATION.

FOR ELECTRICAL TORQUE SPECIFICATIONS SEE DWG NO. 128783-01-000

FOR ELECTRICAL CALLOUTS SEE DWG NO. 121339-01-000

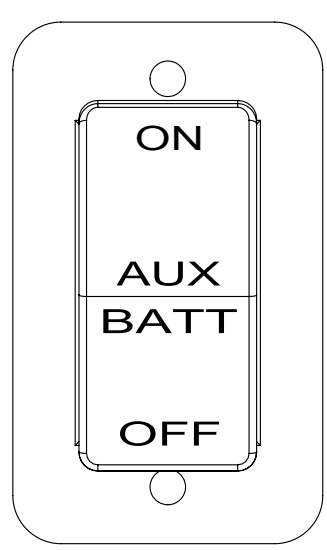
- 11U TV-22"DC,LCD,STEREO/CD/DVD
- 265 CODES/STANDARDS-CSA/CMVSS
- 1B1 CODES/STANDARDS USA

FIRST USED		12 170X	
DO NOT SCALE DRAWING			
TITLE: WIRING INSTL-BODY, 12V			
SHEET 2	PART NO.	178822	REV

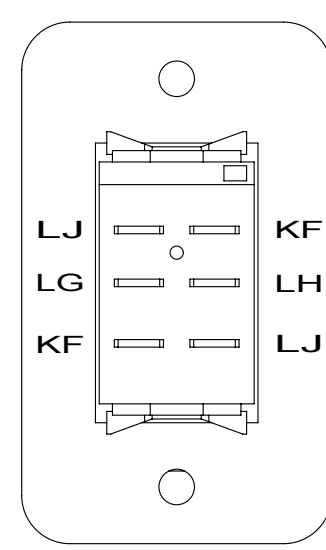


SWITCH-ROCKER  
135740-01-CHT  
SWITCH-BASE  
135741-01-CHT  
SWITCH-BEZEL  
135742-09-CHT  
SCREW  
G11-08-08U (2)

DETAIL CA

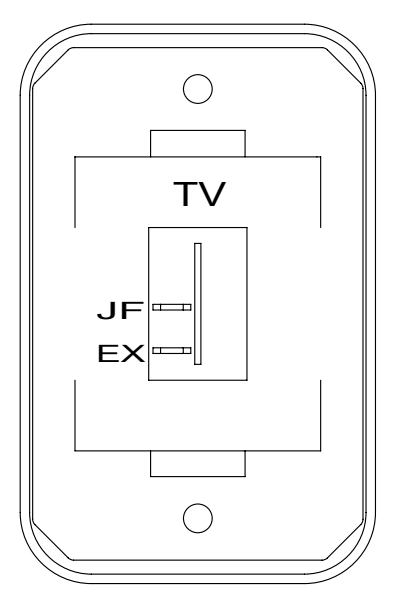


DETAIL CD (FRONT SIDE)



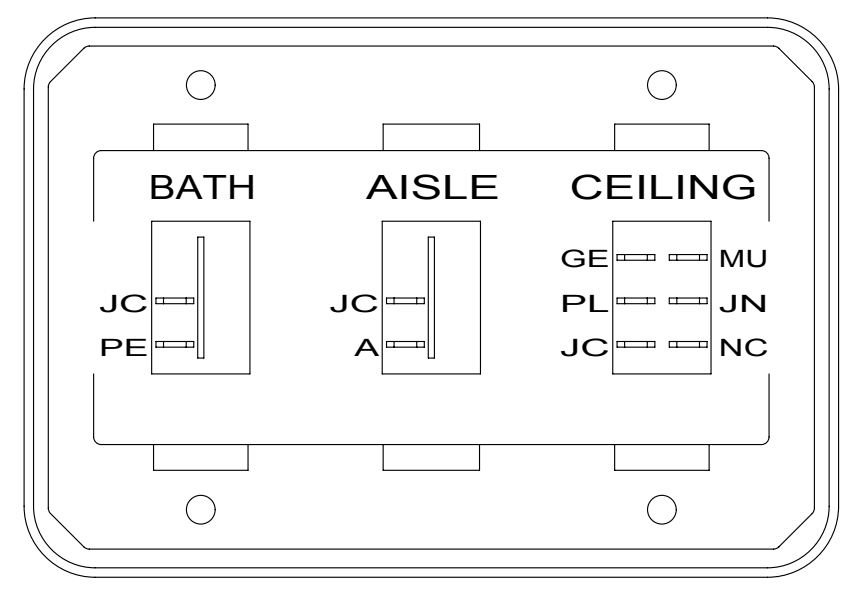
DETAIL CD (BACK SIDE)

SWITCH-BATTERY,DISC  
108357-06-000  
ACTUATOR-SWITCH  
108356-11-CHT  
PLATE-SWITCH  
98351-07-CHT  
SCREW  
G11-06-10U (2)



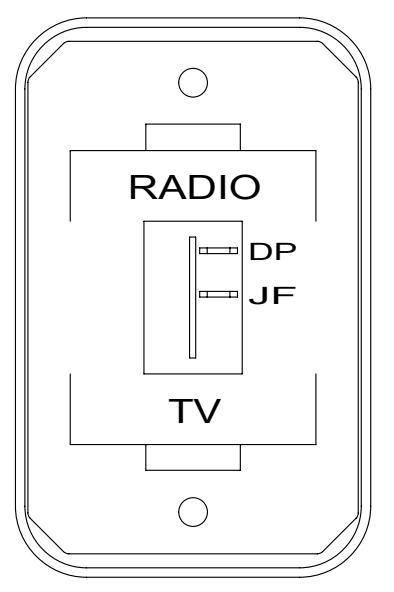
DETAIL CG 11U

SWITCH-ROCKER  
135740-01-CHT  
SWITCH-BASE  
135741-01-CHT  
SWITCH-BEZEL  
135742-45-CHT  
SCREW  
G11-08-08U (2)



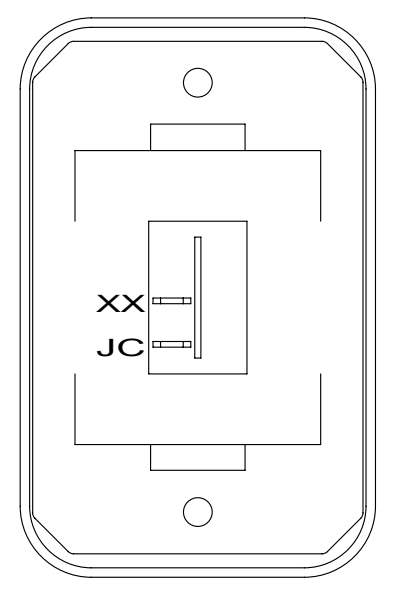
DETAIL CB

SWITCH-ROCKER  
135740-01-CHT (2)  
135740-05-CHT  
SWITCH-BASE  
135741-03-CHT  
SWITCH-BEZEL  
135742-24-CHT  
SCREW  
G11-08-08U (4)



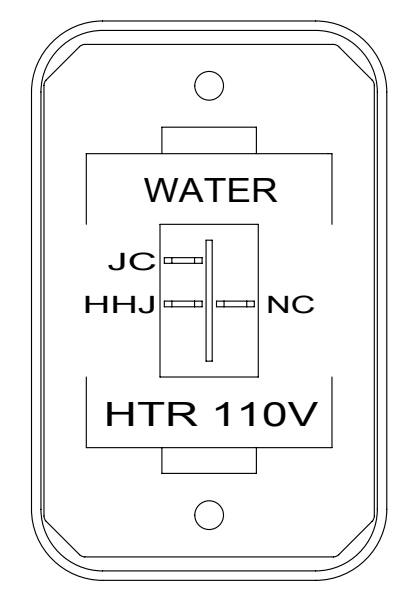
DETAIL CE

SWITCH-ROCKER  
135740-01-CHT  
SWITCH-BASE  
135741-01-CHT  
SWITCH-BEZEL  
135742-40-CHT  
SCREW  
G11-08-08U (2)



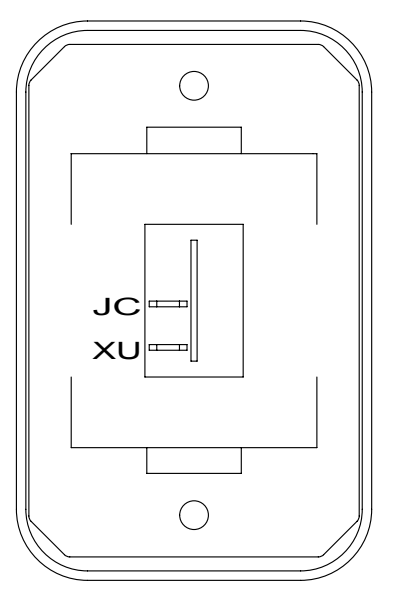
DETAIL CH

SWITCH-ROCKER  
135740-01-CHT  
SWITCH-BASE  
135741-01-CHT  
SWITCH-BEZEL  
135742-01-CHT  
SCREW  
G11-08-08U (2)



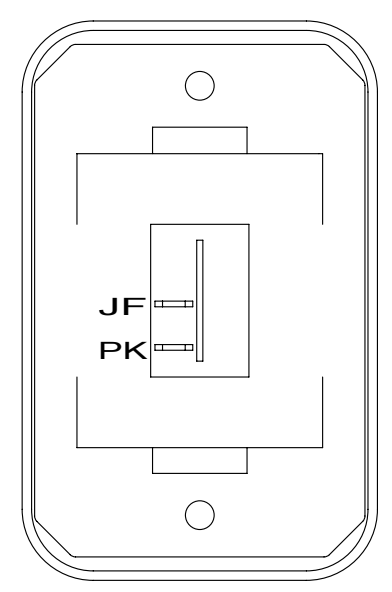
DETAIL CC 53B

SWITCH-ROCKER  
135740-06-CHT  
SWITCH-BASE  
135741-01-CHT  
SWITCH-BEZEL  
135742-35-CHT  
SCREW  
G11-08-08U (2)



DETAIL CF

SWITCH-ROCKER  
135740-01-CHT  
SWITCH-BASE  
135741-01-CHT  
SWITCH-BEZEL  
135742-01-CHT  
SCREW  
G11-08-08U (2)



DETAIL CJ

SWITCH-ROCKER  
135740-01-CHT  
SWITCH-BASE  
135741-01-CHT  
SWITCH-BEZEL  
135742-01-CHT  
SCREW  
G11-08-08U (2)

- 11U TV-22"DC,LCD,STEREO/CD/DVD
- 265 CODES/STANDARDS-CSA/CMVSS
- 1B1 CODES/STANDARDS USA

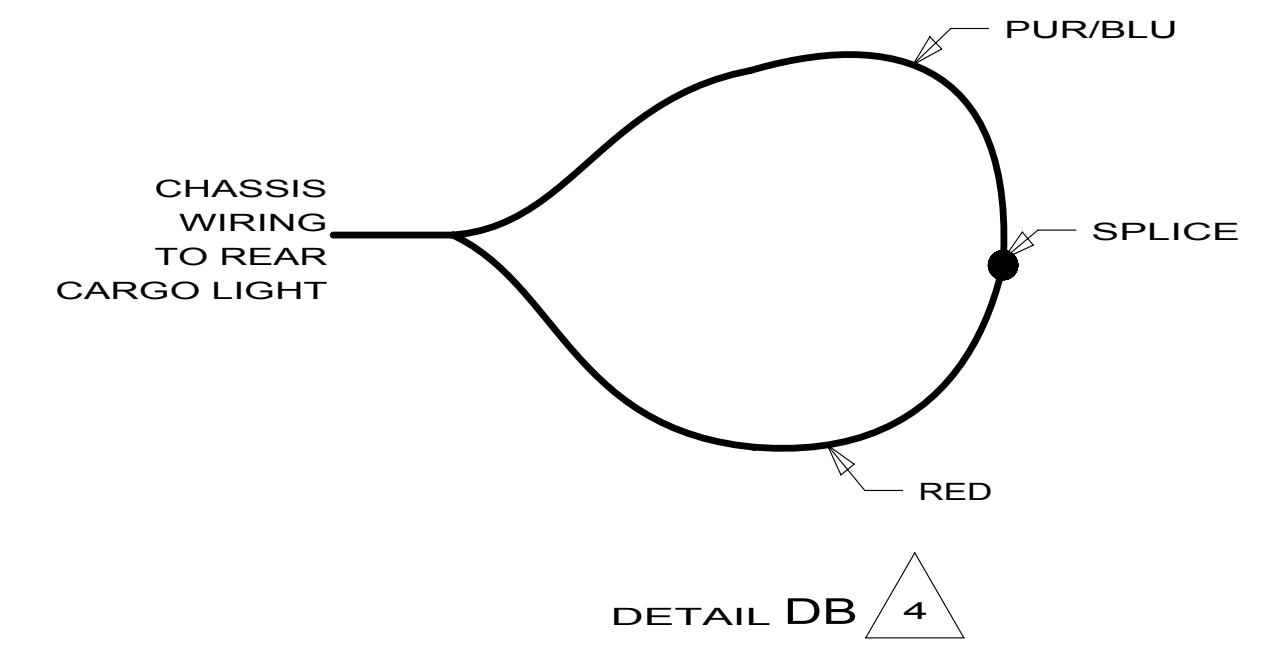
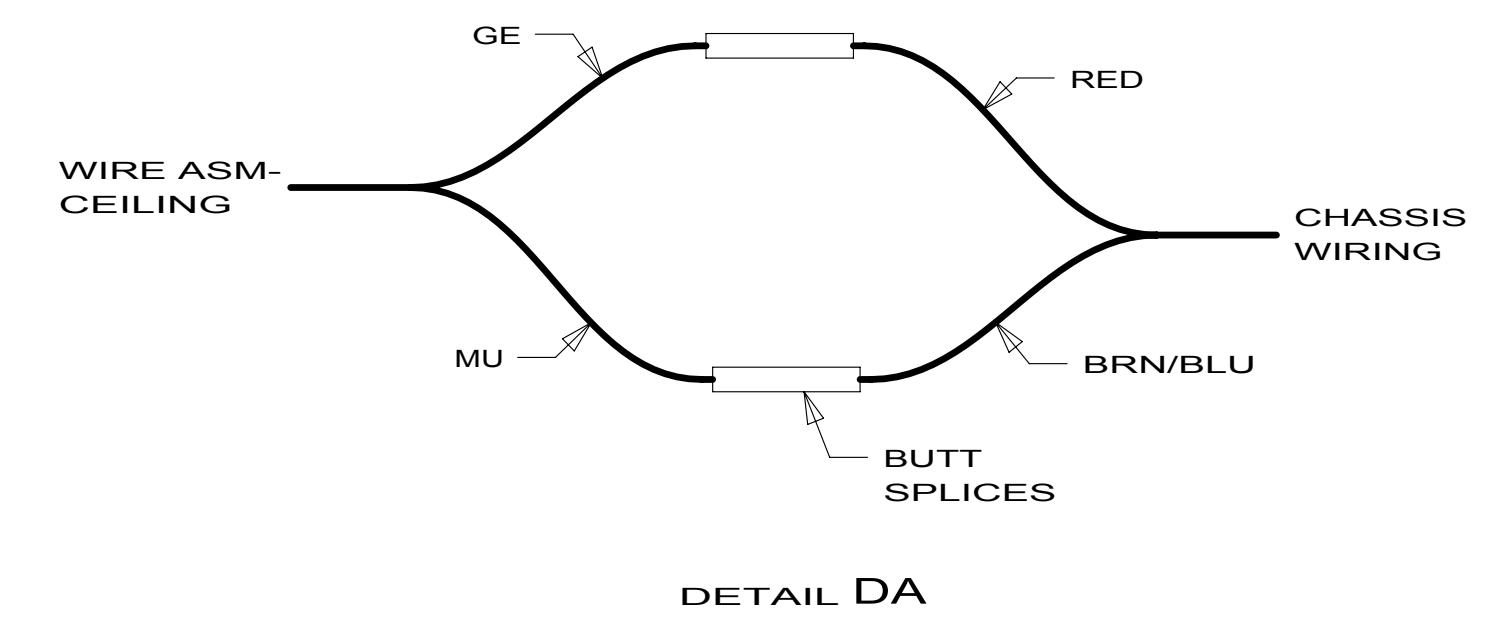
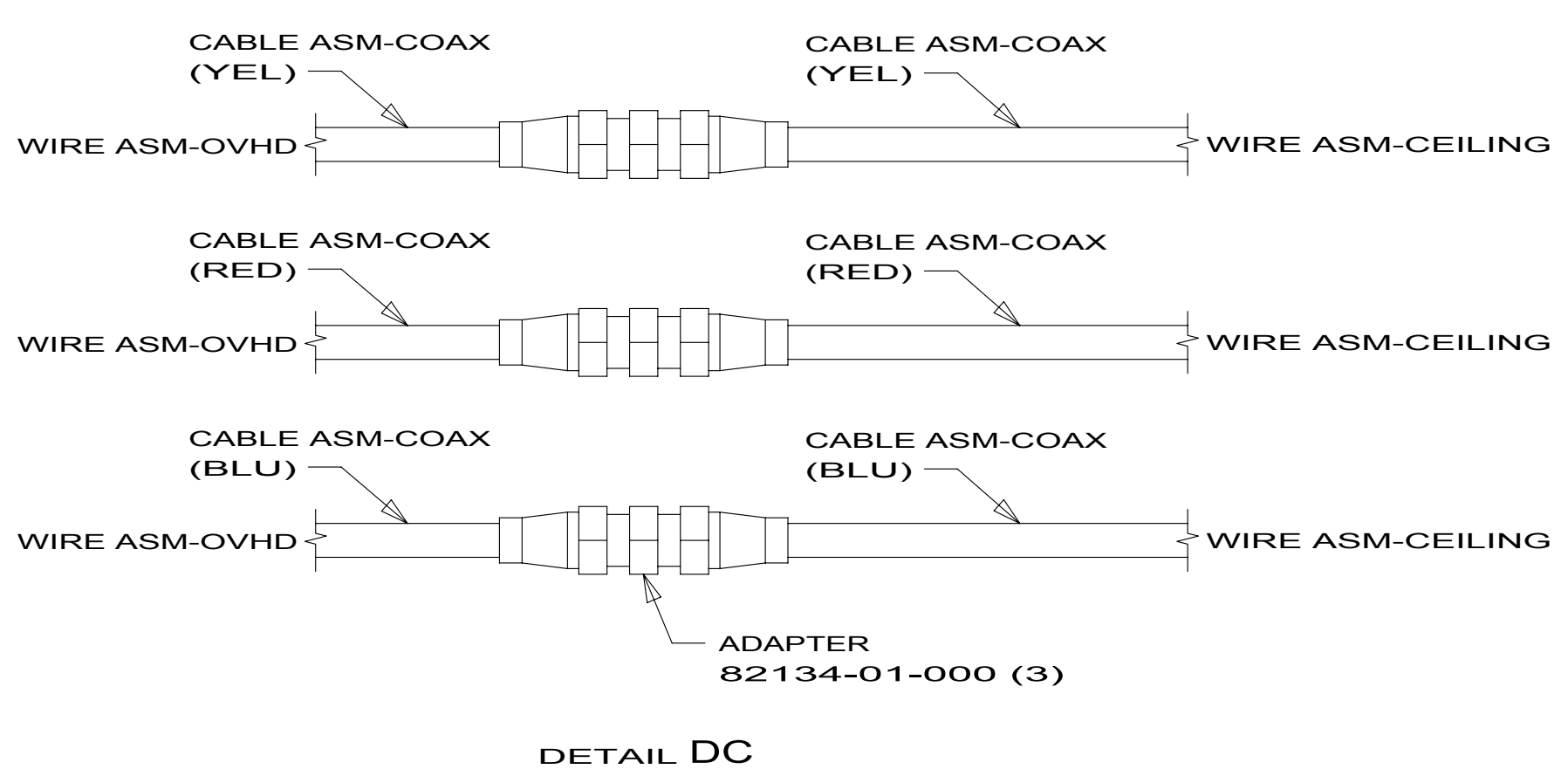
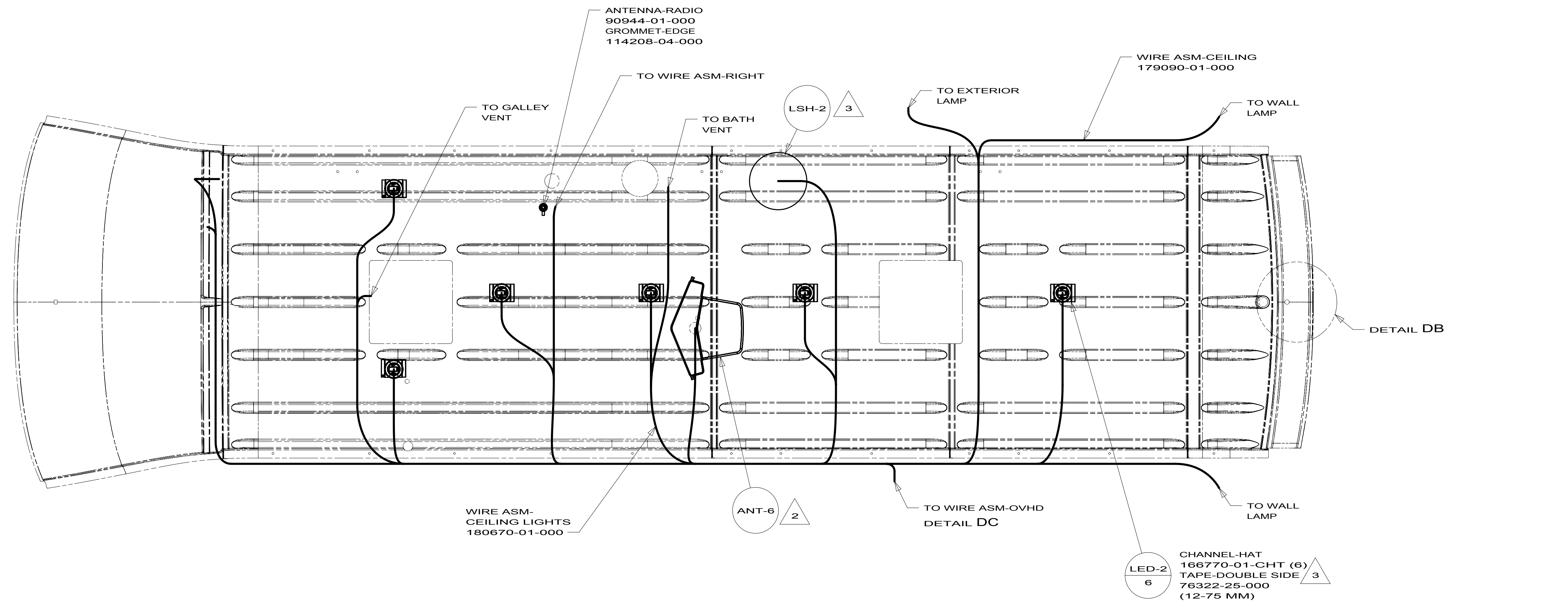
1B1 265

FIRST USED		<b>12 170X</b>	
DO NOT SCALE DRAWING			
TITLE: <b>WIRING INSTL-BODY, 12V</b>			
SHEET 3	PART NO. <b>178822</b>	REV	

FOR ELECTRICAL TORQUE SPECIFICATIONS SEE DWG NO. 128783-01-000

FOR ELECTRICAL CALLOUTS SEE DWG NO. 121339-01-000





- 4 REMOVE REAR CARGO LAMP. CUT THE RED AND 'PUR/BLU' WIRES AND SPLICE TOGETHER.
- 3 MOUNTED ON INTERIOR SURFACE OF ROOF.
- 2 MOUNTED ON EXTERIOR SURFACE OF ROOF.

1. ALL WIRES TO BE SECURED WITH CLAMP 10495 OR 10497 OR WIRE TIE 8343 OR 108046 EVERY 600MM, USE SCREW G67-XX-XXX OR G56-XX-XXX AS APPROPRIATE FOR ONSTALLATION.

NOTES:

265 CODES/STANDARDS-CSA/CMVSS

1B1 CODES/STANDARDS USA

1B1 265

FIRST USED **12 170X**

DO NOT SCALE DRAWING

TITLE: **WIRING INSTL-BODY, 12V**

SHEET 4 PART NO. **178822** REV

FOR ELECTRICAL TORQUE SPECIFICATIONS SEE DWG NO. 128783-01-000

FOR ELECTRICAL CALLOUTS SEE DWG NO. 121339-01-000