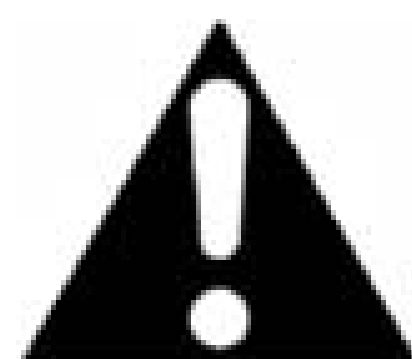




**DANGER**

**Danger of electrical shock, burns or death.** Always remove all power sources before attempting any repair, service or diagnostic work. Power can be present from shore power, generator, inverter or battery. All power sources must be disabled and secured before performing any service.

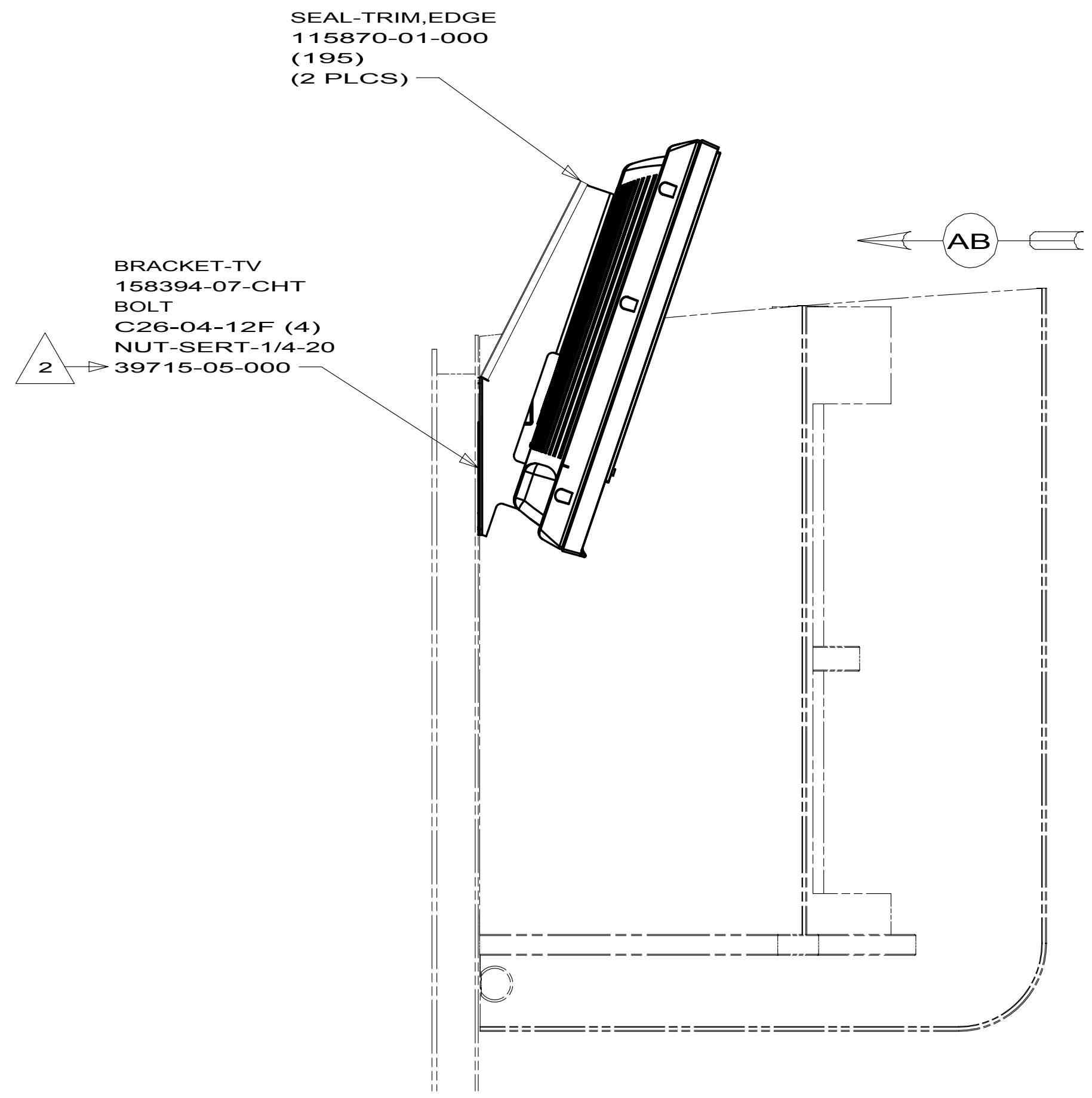


**CAUTION**

If you lack the skills, tools or equipment to perform diagnostic or repair work leave such work to an authorized Winnebago Industries dealer or other qualified shop.

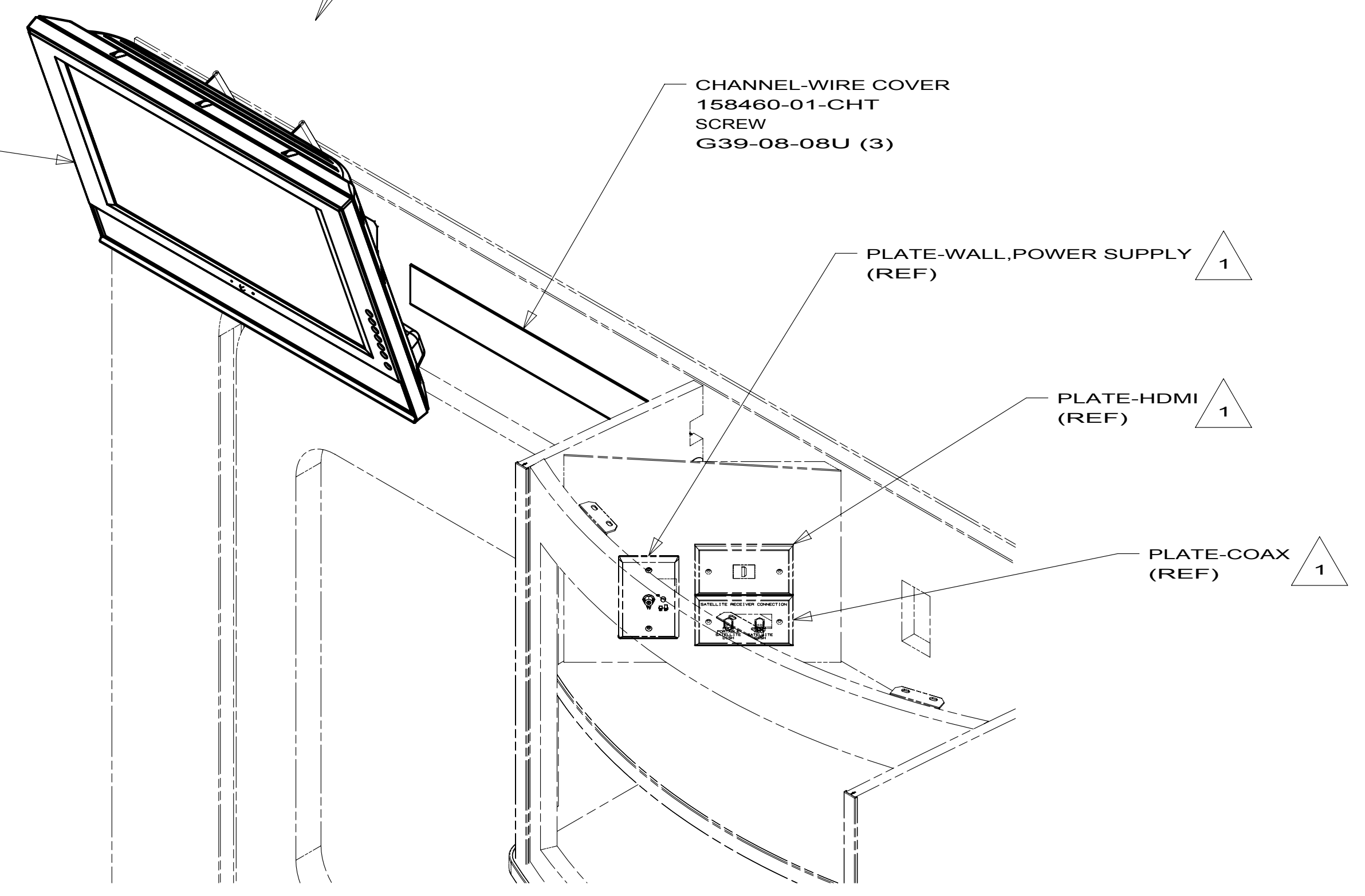
DRAWING NO.	MODEL	SHEETS
177139-01	524J	1,2,5,6
177139-02	524G,524M	3,4

RELEASE	REV DATE	DWG NO	177139
REV ZONE	REVISION RECORD	DATE	DFT-ORIG



VIEW AA

- TV-19",LCD  
170909-01-000
- WASHER  
E14-10-00B (8)
- SCREW (MAIN TV SUPPORT)  
SUPPLIED WITH TV
- SCREW (LOWER TV SUPPORT)  
OMG02B-04-016 (4)
- WIRE ASM-POWER,TV  
170909-02-000

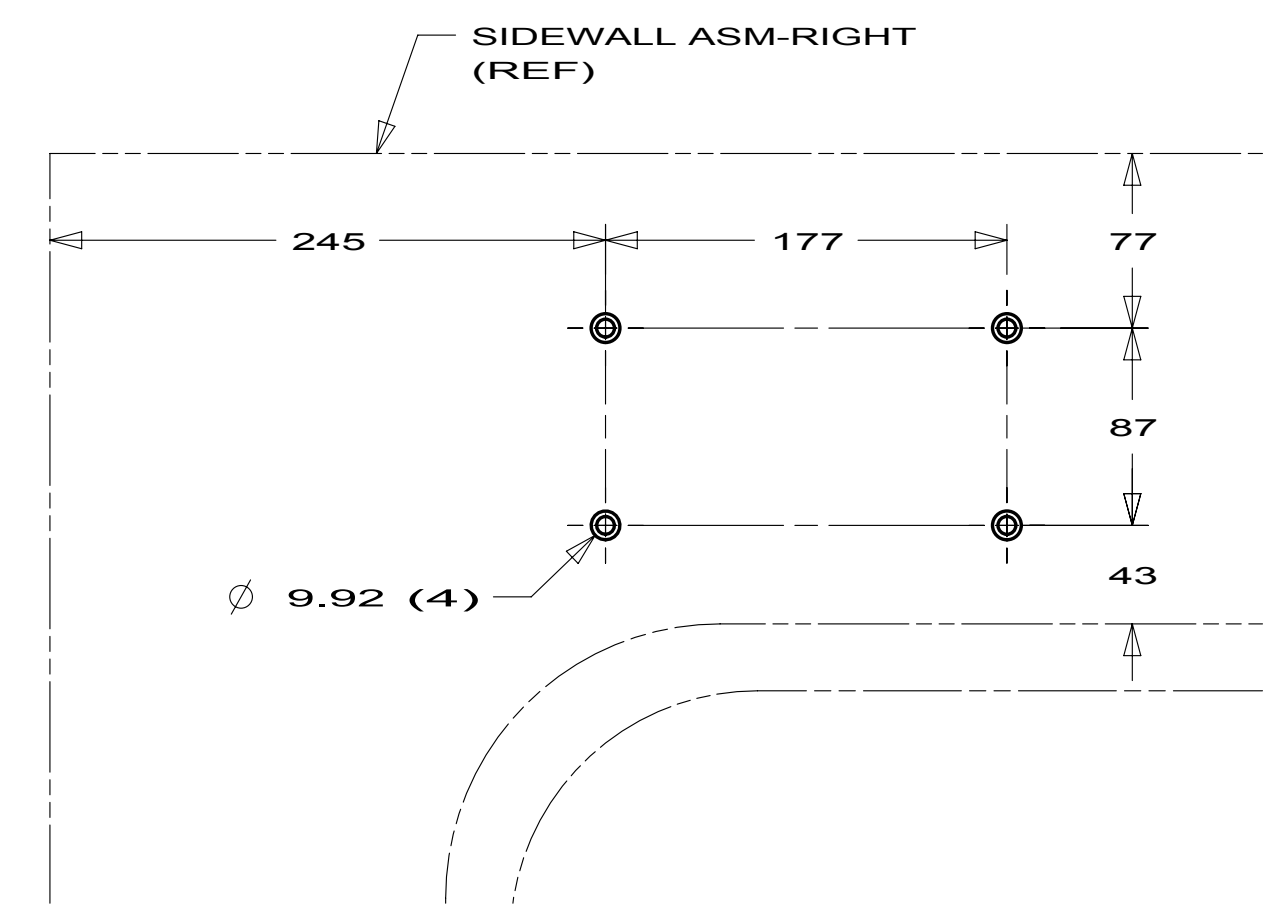


- CHANNEL-WIRE COVER  
158460-01-CHT
- SCREW  
G39-08-08U (3)

PLATE-WALL,POWER SUPPLY (REF) 1

PLATE-HDMI (REF) 1

PLATE-COAX (REF) 1



DETAIL AB

- 1LK TV-19"DC,COLOR,LCD W/REMOTE
- 265 CODES/STANDARDS-CSA/CMVSS
- 1B1 CODES/STANDARDS USA

- 1B1 265 1LK



DFT-ORIG	ORIG. DATE
CHKR	ALL DIMENSIONS ARE IN MILLIMETERS
P.E.	
M.E.	FIRST USED
DSNR	12 500-SERIES
UNSPECIFIED TOLERANCES ARE:	
WHOLE DIM (X)	: 3
ONE-PLACE (X.X)	: 1.5
TWO-PLACE (X.XX)	: 0.50
ANGLE	: 1°
THIRD ANGLE PROJECTION	

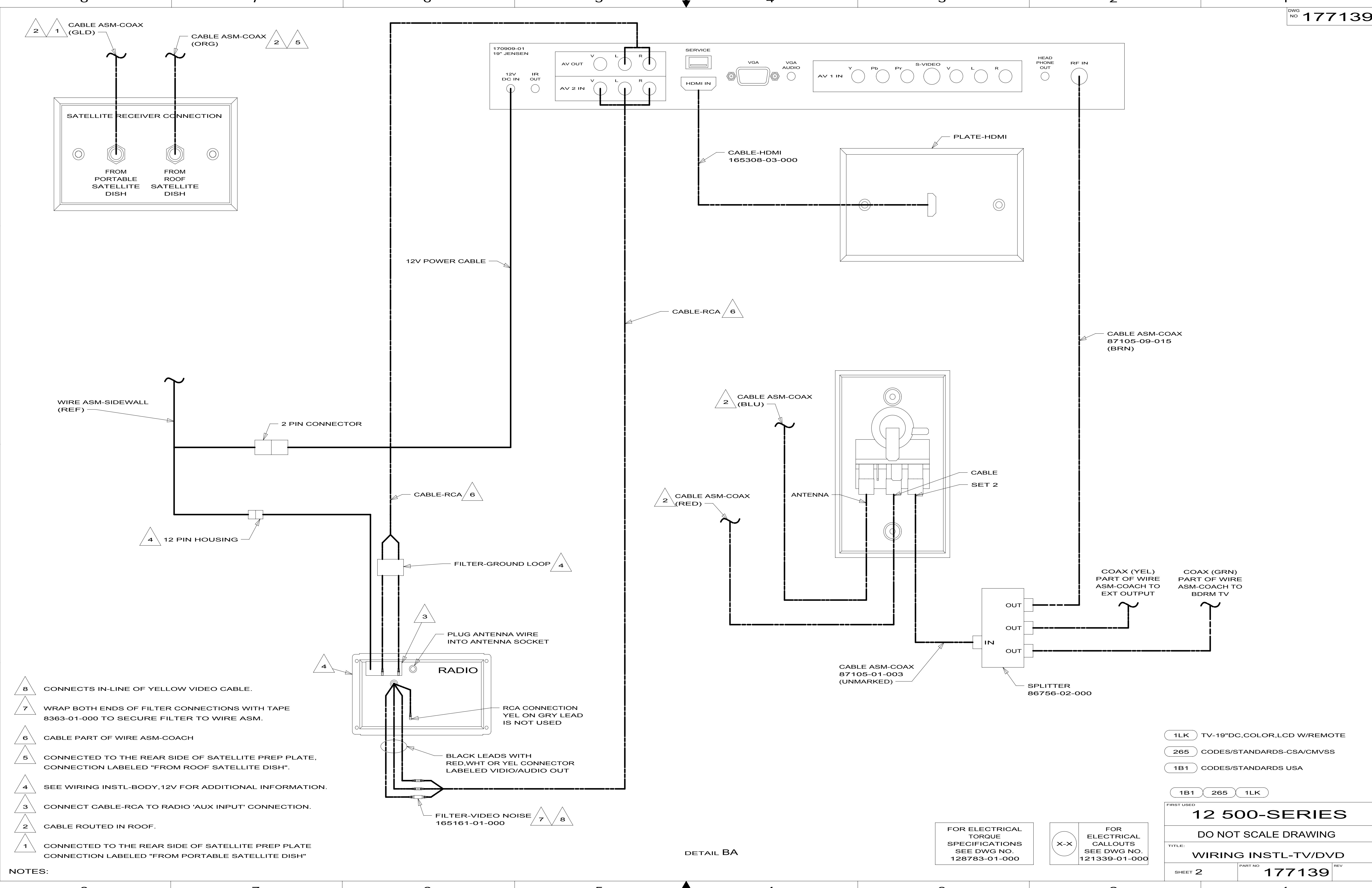
DO NOT SCALE DRAWING

TITLE:	WIRING INSTL-TV/DVD
SHEET 1 OF 6	PART NO 177139 REV

- NOTES:
- 2 REMOVE PANELING SO NUT-SERT CLAMPS JUST THE INNER WALL OF THE SIDEWALL TUBE.
  - 1 SEE WIRING INSTL-BODY,12V FOR ADDITIONAL INFORMATION.

FOR ELECTRICAL TORQUE SPECIFICATIONS SEE DWG NO. 128783-01-000

FOR ELECTRICAL CALLOUTS SEE DWG NO. 121339-01-000



- NOTES:
- 8 CONNECTS IN-LINE OF YELLOW VIDEO CABLE.
  - 7 WRAP BOTH ENDS OF FILTER CONNECTIONS WITH TAPE 8363-01-000 TO SECURE FILTER TO WIRE ASM.
  - 6 CABLE PART OF WIRE ASM-COACH
  - 5 CONNECTED TO THE REAR SIDE OF SATELLITE PREP PLATE, CONNECTION LABELED "FROM ROOF SATELLITE DISH".
  - 4 SEE WIRING INSTL-BODY, 12V FOR ADDITIONAL INFORMATION.
  - 3 CONNECT CABLE-RCA TO RADIO 'AUX INPUT' CONNECTION.
  - 2 CABLE ROUTED IN ROOF.
  - 1 CONNECTED TO THE REAR SIDE OF SATELLITE PREP PLATE CONNECTION LABELED "FROM PORTABLE SATELLITE DISH"

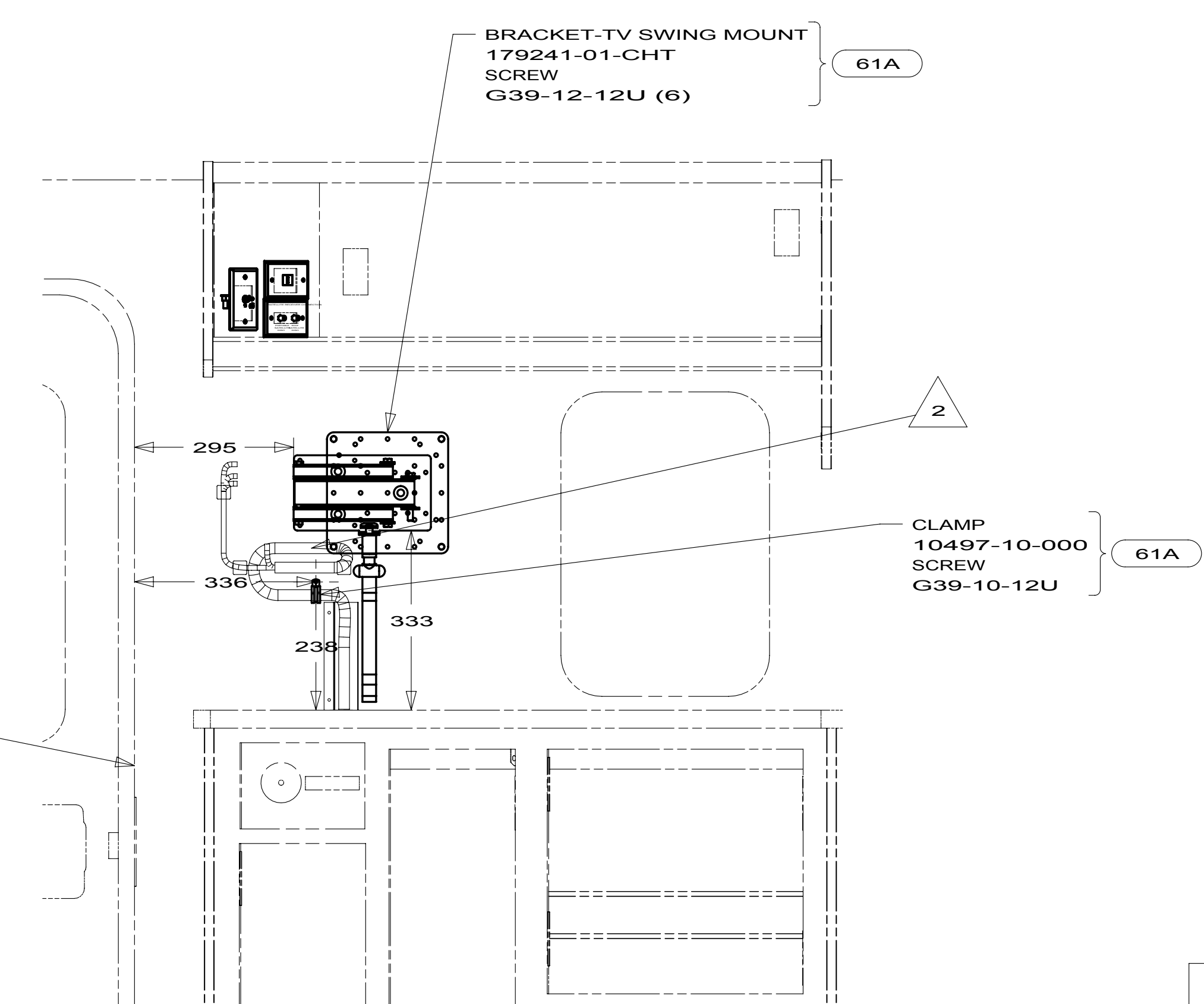
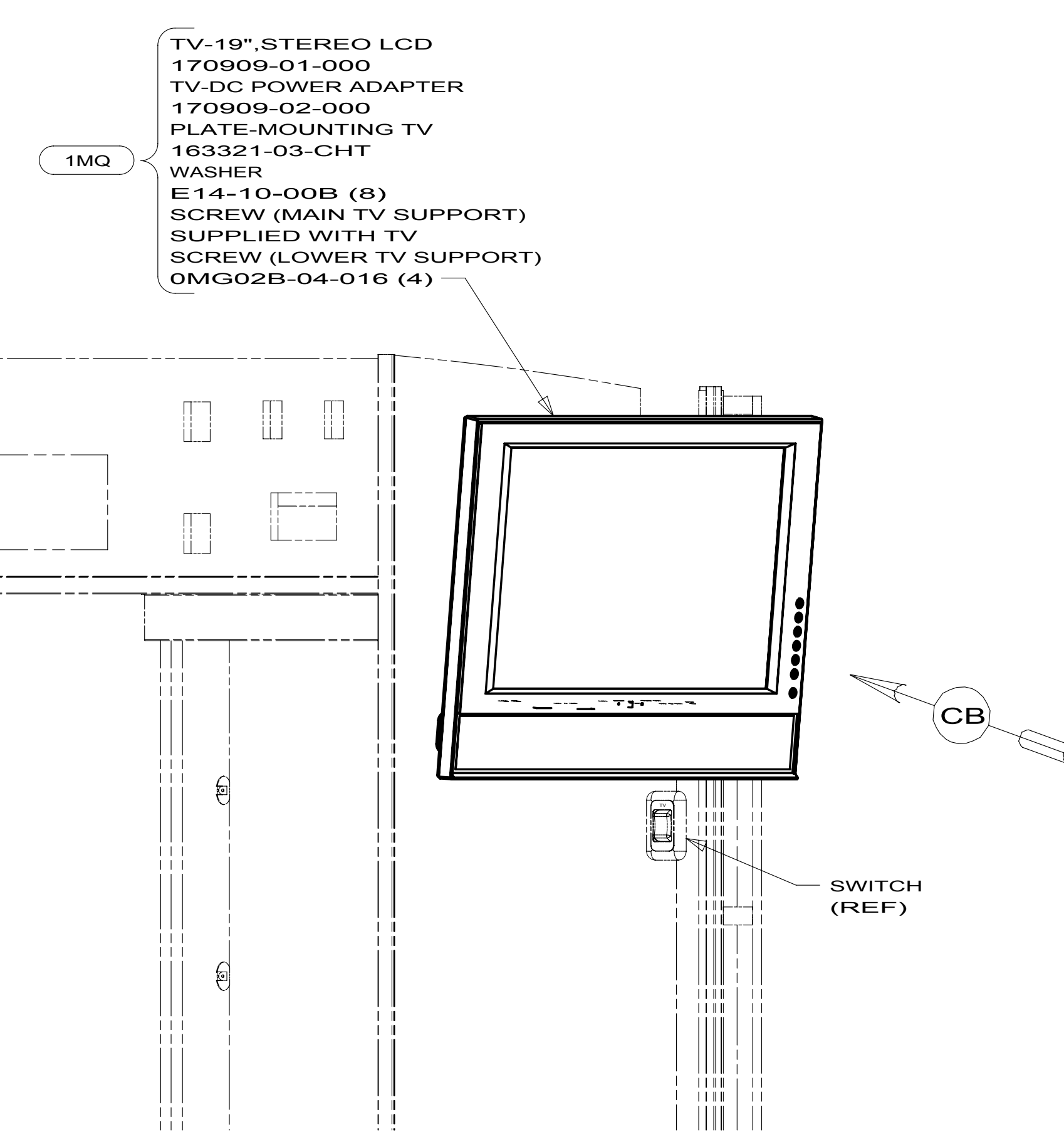
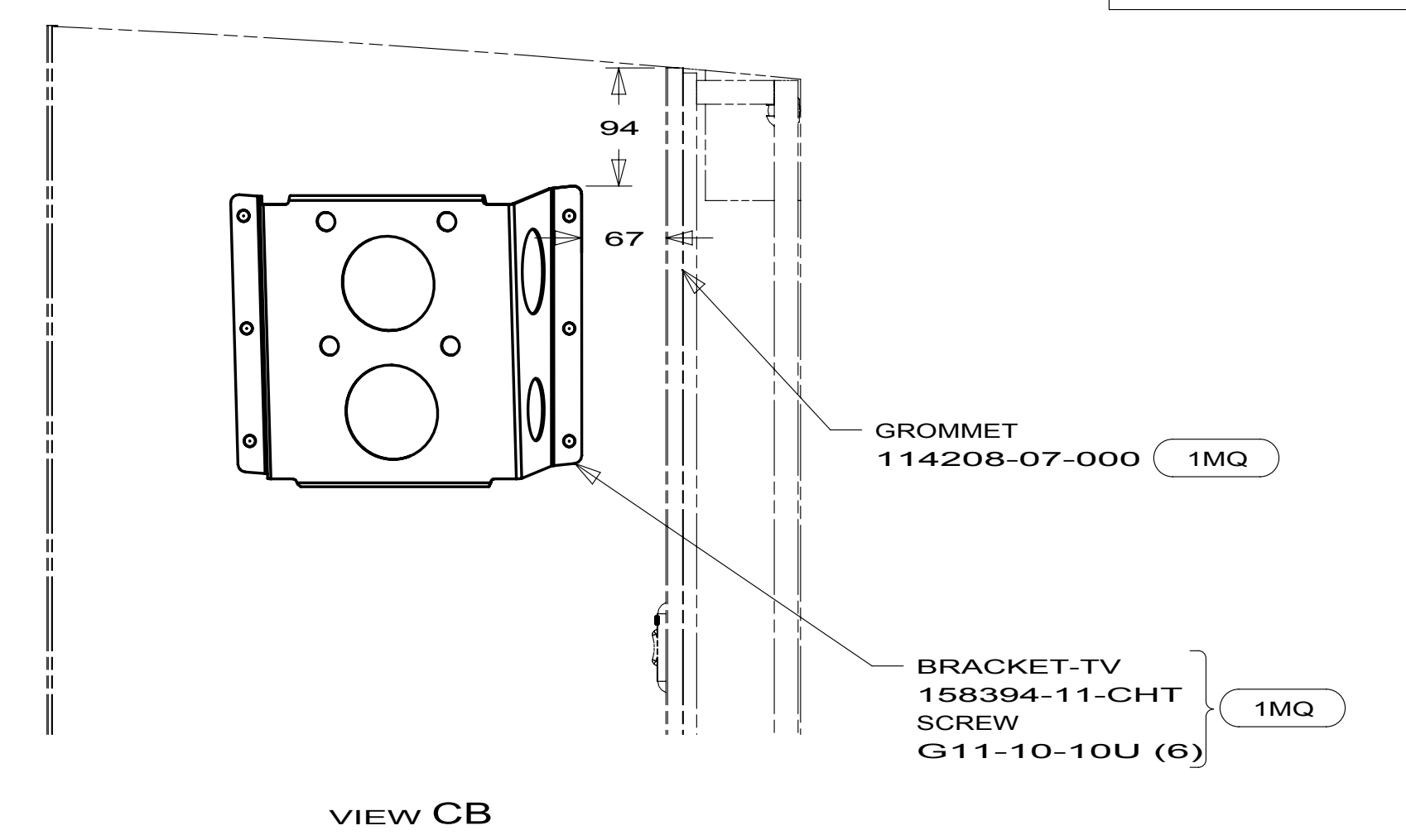
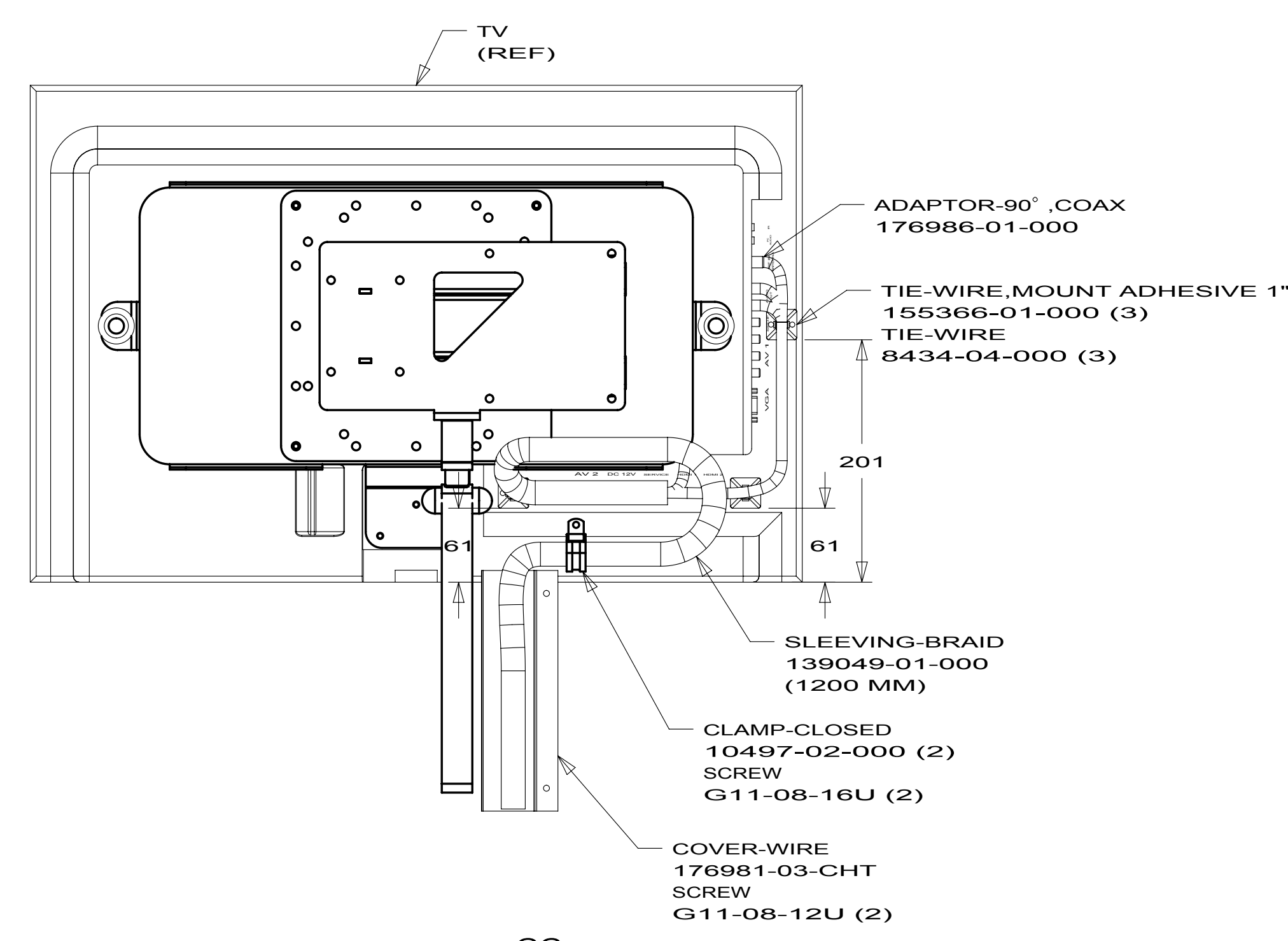
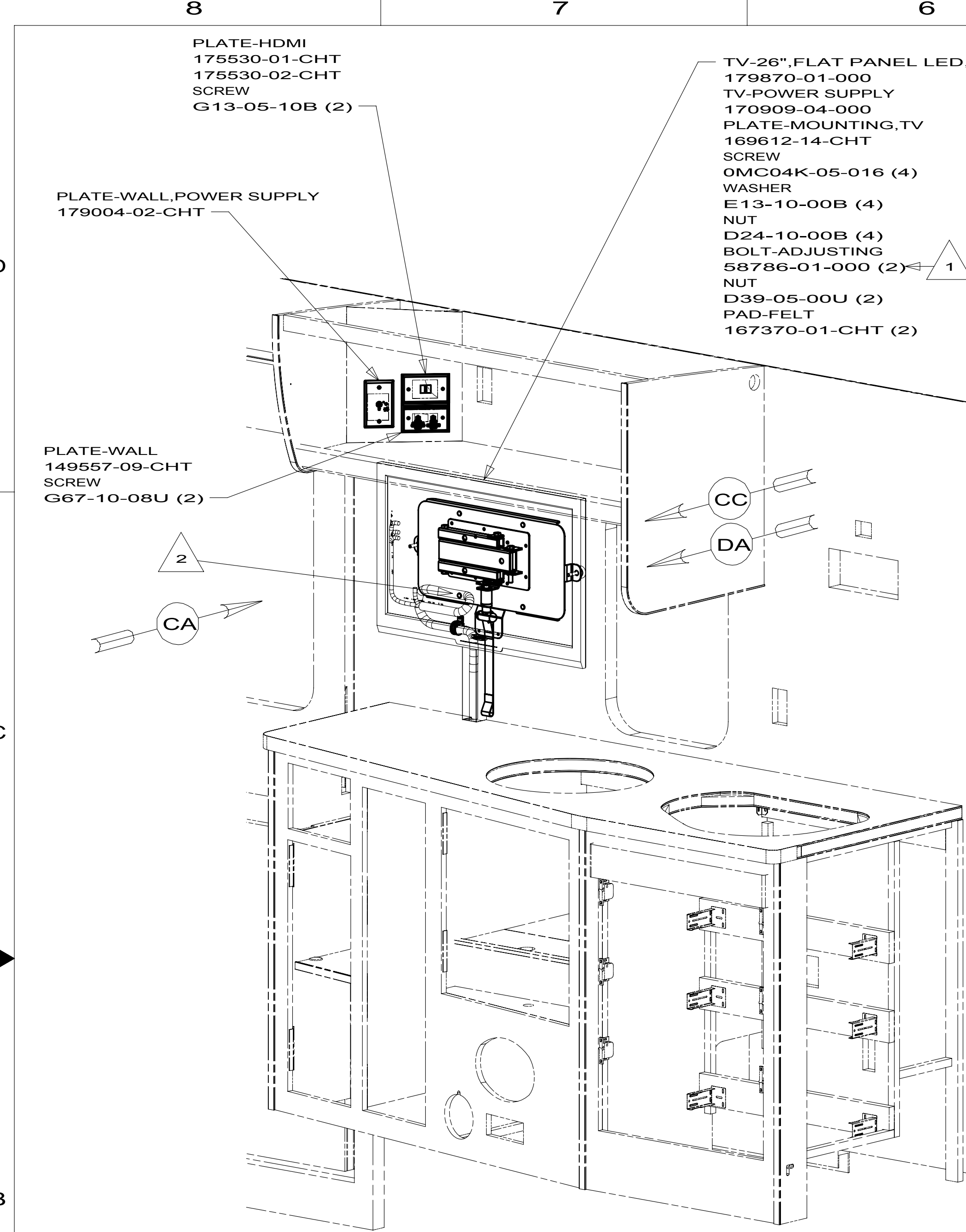
- 1LK TV-19"DC,COLOR,LCD W/REMOTE
- 265 CODES/STANDARDS-CSA/CMVSS
- 1B1 CODES/STANDARDS USA

FIRST USED		
<b>12 500-SERIES</b>		
DO NOT SCALE DRAWING		
TITLE: <b>WIRING INSTL-TV/DVD</b>		
SHEET 2	PART NO. <b>177139</b>	REV

FOR ELECTRICAL TORQUE SPECIFICATIONS SEE DWG NO. 128783-01-000

FOR ELECTRICAL CALLOUTS SEE DWG NO. 121339-01-000

DETAIL BA



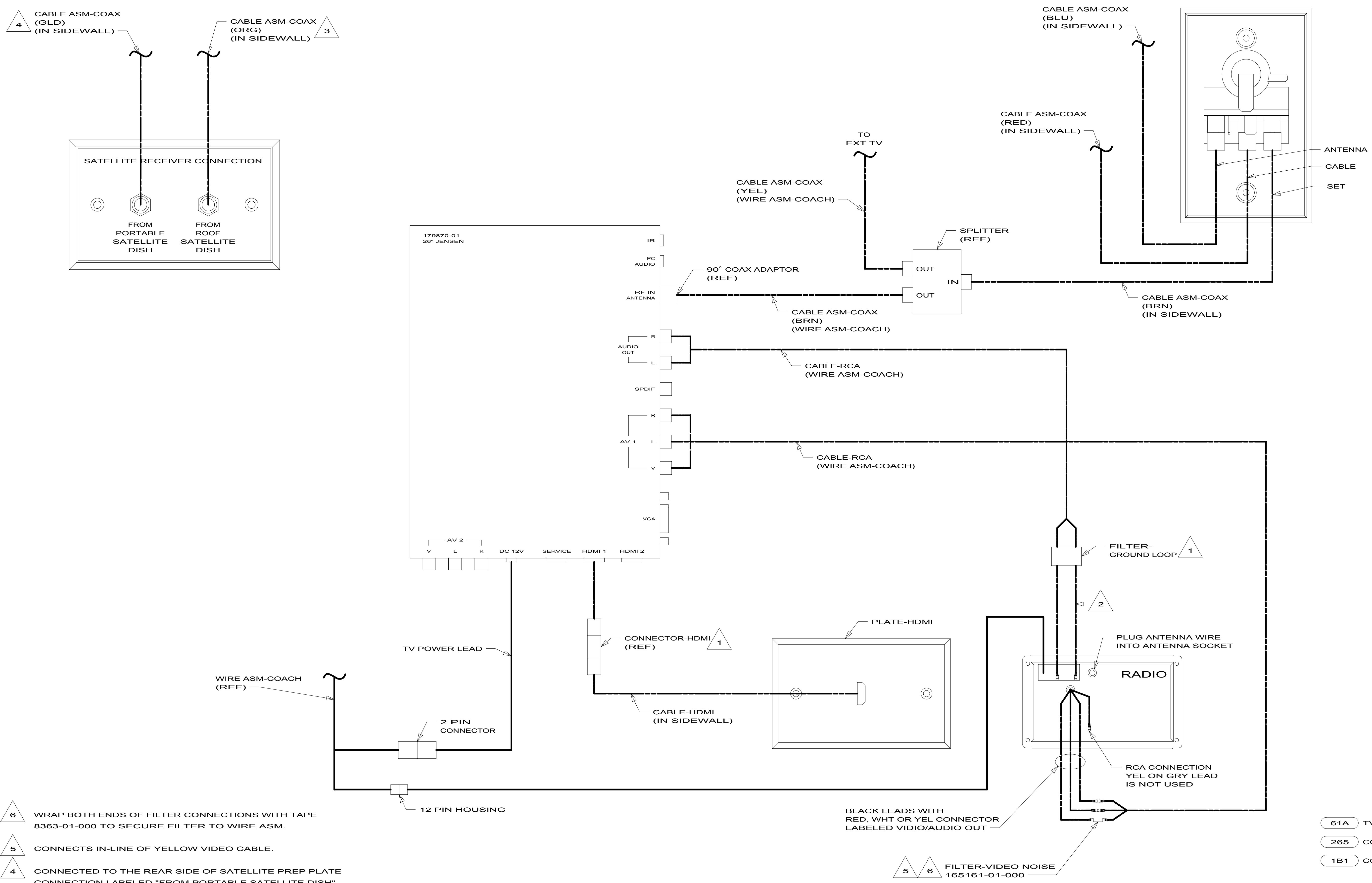
NOTES:  
 2 WIRE TIE CABLES TO BACKSIDE OF TV MOUNTING PLATE.  
 1 BOLT ADJUSTING TO BE SET WITH TV IN THE STOWED POSITION.

FOR ELECTRICAL TORQUE SPECIFICATIONS SEE DWG NO. 128783-01-000

FOR ELECTRICAL CALLOUTS SEE DWG NO. 121339-01-000

- 61A TV-26" COLOR, STEREO W/REMOTE
- 1MQ TV (REAR) 19" DC LCD STEREO
- 265 CODES/STANDARDS-CSA/CMVSS
- 1B1 CODES/STANDARDS USA

FIRST USED	
<b>12 500-SERIES</b>	
DO NOT SCALE DRAWING	
TITLE: <b>WIRING INSTL-TV/DVD</b>	
SHEET 3	PART NO. <b>177139</b> REV



- NOTES:
- 6 WRAP BOTH ENDS OF FILTER CONNECTIONS WITH TAPE 8363-01-000 TO SECURE FILTER TO WIRE ASM.
  - 5 CONNECTS IN-LINE OF YELLOW VIDEO CABLE.
  - 4 CONNECTED TO THE REAR SIDE OF SATELLITE PREP PLATE CONNECTION LABELED "FROM PORTABLE SATELLITE DISH"
  - 3 CONNECTED TO THE REAR SIDE OF SATELLITE PREP PLATE, CONNECTION LABELED "FROM ROOF SATELLITE DISH".
  - 2 CONNECT CABLE-RCA TO RADIO 'AUX INPUT' CONNECTION.
  - 1 SEE WIRE INSTL-BODY, 12V FOR ADDITIONAL INFORMATION

- 61A TV-26" COLOR, STEREO W/REMOTE
- 265 CODES/STANDARDS-CSA/CMVSS
- 1B1 CODES/STANDARDS USA

1B1 265 61A

FIRST USED

**12 500-SERIES**

DO NOT SCALE DRAWING

TITLE: **WIRING INSTL-TV/DVD**

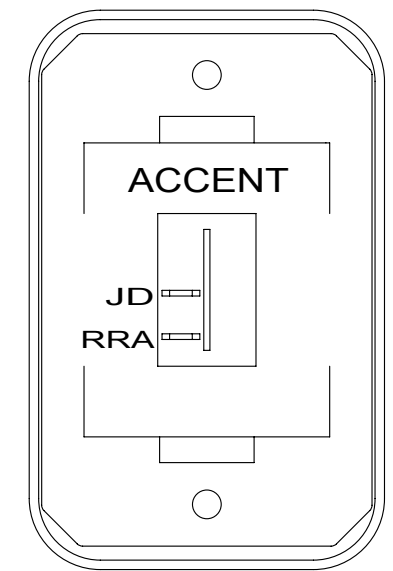
SHEET 4 PART NO. **177139** REV

FOR ELECTRICAL TORQUE SPECIFICATIONS SEE DWG NO. 128783-01-000

X-X

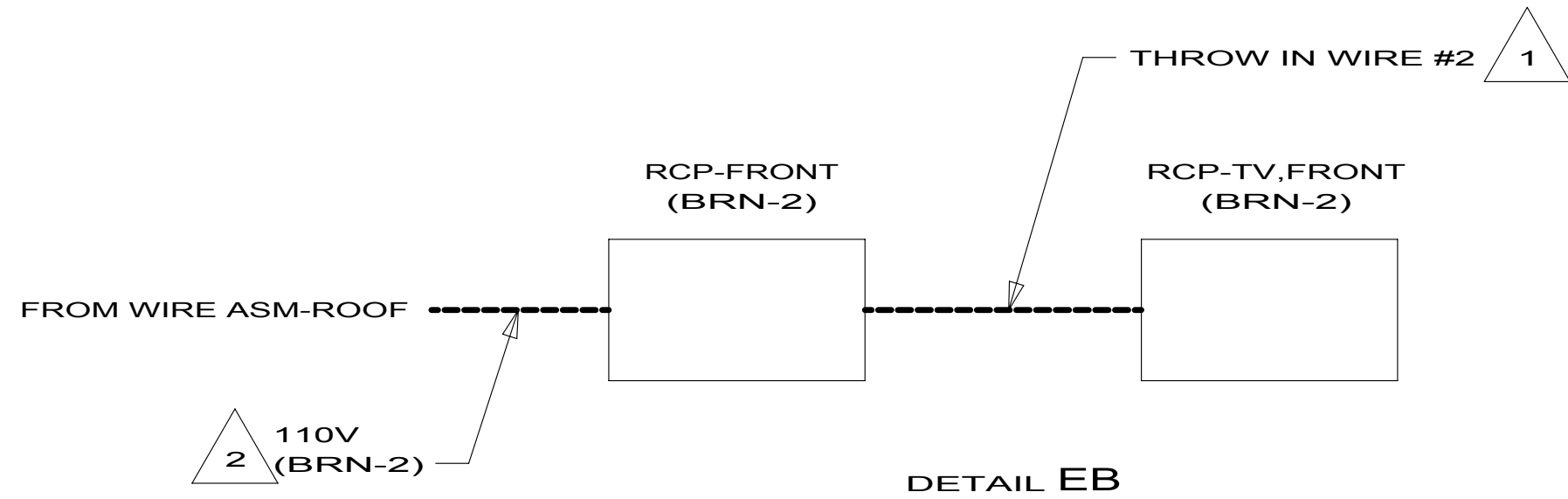
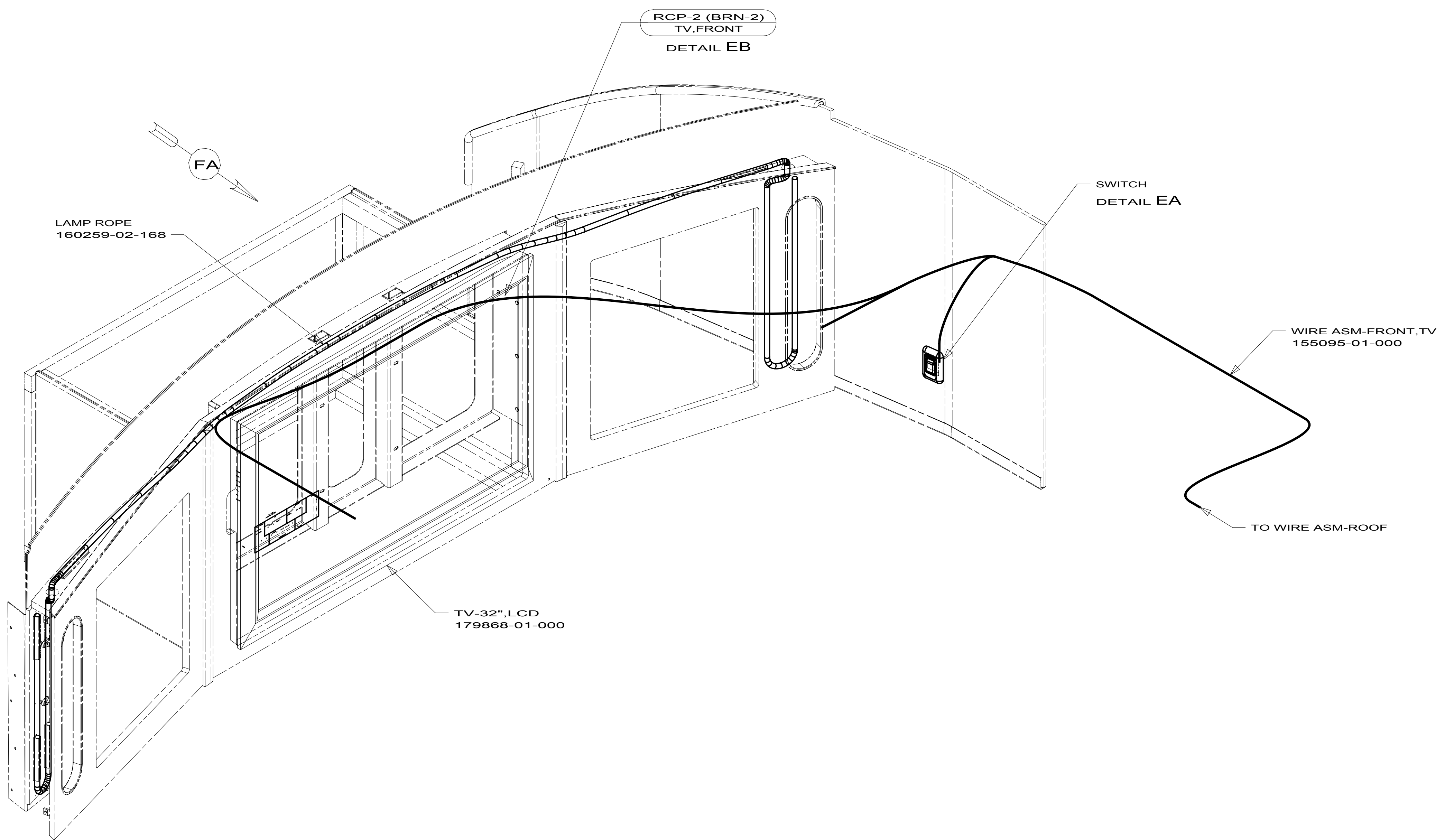
FOR ELECTRICAL CALLOUTS SEE DWG NO. 121339-01-000

DETAIL DA



SWITCH-ROCKER  
135740-01-CHT  
SWITCH-BASE  
135741-01-CHT  
SWITCH-BEZEL  
135742-50-CHT  
SCREW  
G11-08-08U (2)

DETAIL EA



- 1L9 ENTERTAINMENT CENTER-CABOVER
- 265 CODES/STANDARDS-CSA/CMVSS
- 1B1 CODES/STANDARDS USA

1B1 265 1L9

FIRST USED  
**12 500-SERIES**

DO NOT SCALE DRAWING

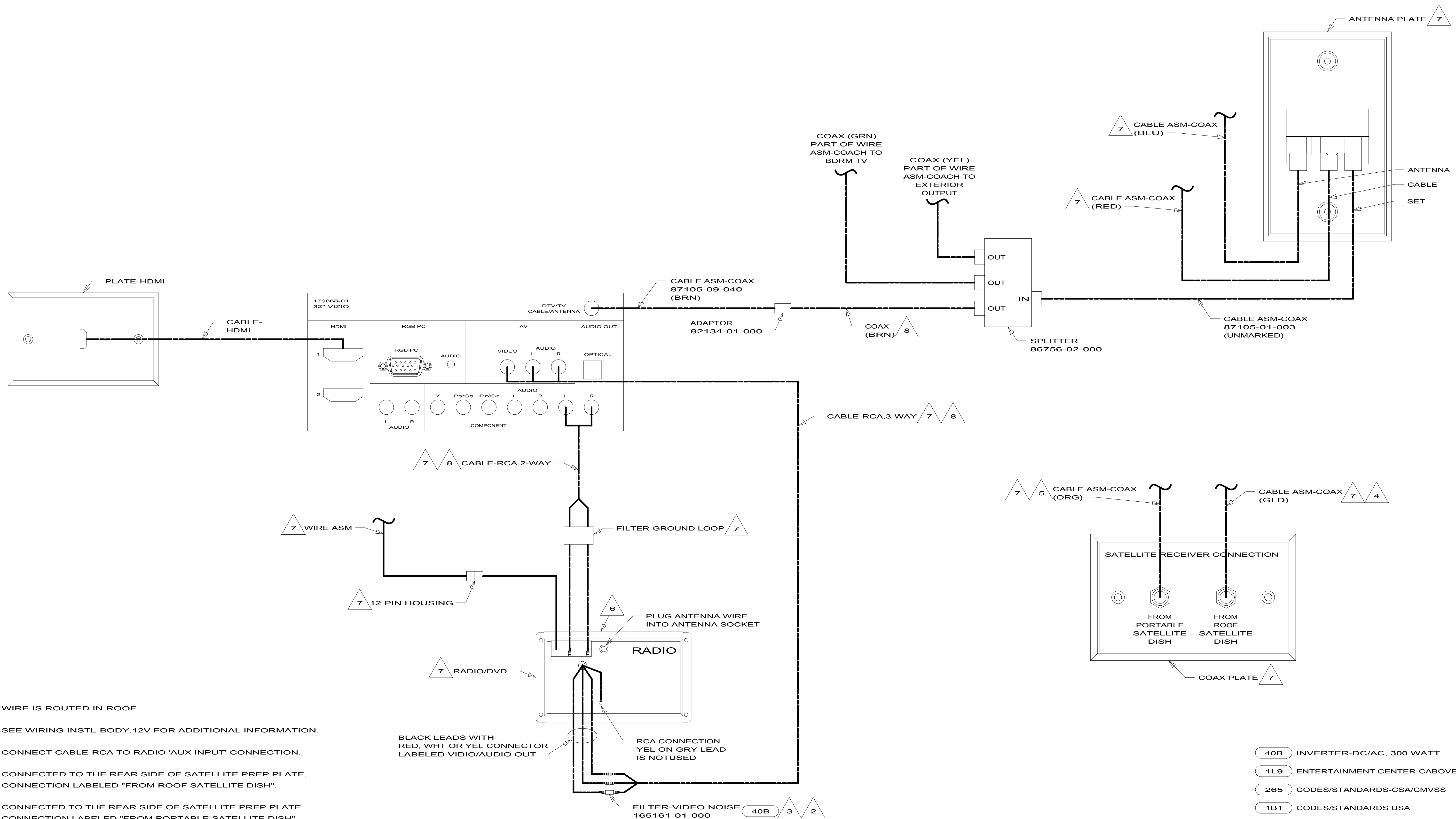
TITLE:  
**WIRING INSTL-TV/DVD**

SHEET 5 PART NO. **177139** REV

FOR ELECTRICAL TORQUE SPECIFICATIONS SEE DWG NO. 128783-01-000

FOR ELECTRICAL CALLOUTS SEE DWG NO. 121339-01-000

NOTES:  
 2 WIRE ROUTED IN ROOF.  
 1 SEE WIRING INSTL-BODY, 110V AND LOAD CENTER/ATS ASM FOR ADDITIONAL INFORMATION.



- NOTES:**
- 8 WIRE IS ROUTED IN ROOF.
  - 7 SEE WIRING INSTL-BODY, 12V FOR ADDITIONAL INFORMATION.
  - 6 CONNECT CABLE-RCA TO RADIO 'AUX INPUT' CONNECTION.
  - 5 CONNECTED TO THE REAR SIDE OF SATELLITE PREP PLATE, CONNECTION LABELED "FROM ROOF SATELLITE DISH".
  - 4 CONNECTED TO THE REAR SIDE OF SATELLITE PREP PLATE CONNECTION LABELED "FROM PORTABLE SATELLITE DISH"
  - 3 CONNECTS IN-LINE OF YELLOW VIDEO CABLE.
  - 2 WRAP BOTH ENDS OF FILTER CONNECTIONS WITH TAPE 8363-01-000 TO SECURE FILTER TO WIRE ASM.
  - 1 CONNECTED TO THE REAR SIDE OF SATELLITE PREP PLATE, CONNECTION LABELED "TO SATELLITE RECEIVER OUTPUT".

DETAIL FA

FOR ELECTRICAL TORQUE SPECIFICATIONS SEE DWG NO. 128783-01-000

FOR ELECTRICAL CALLOUTS SEE DWG NO. 121339-01-000

- 40B INVERTER-DC/AC, 300 WATT
- 1L9 ENTERTAINMENT CENTER-CABOVER
- 265 CODES/STANDARDS-CSA/CMVSS
- 1B1 CODES/STANDARDS USA

1B1 265 1L9

FIRST USED

**12 500-SERIES**

DO NOT SCALE DRAWING

TITLE: **WIRING INSTL-TV/DVD**

SHEET 6 PART NO. **177139** REV