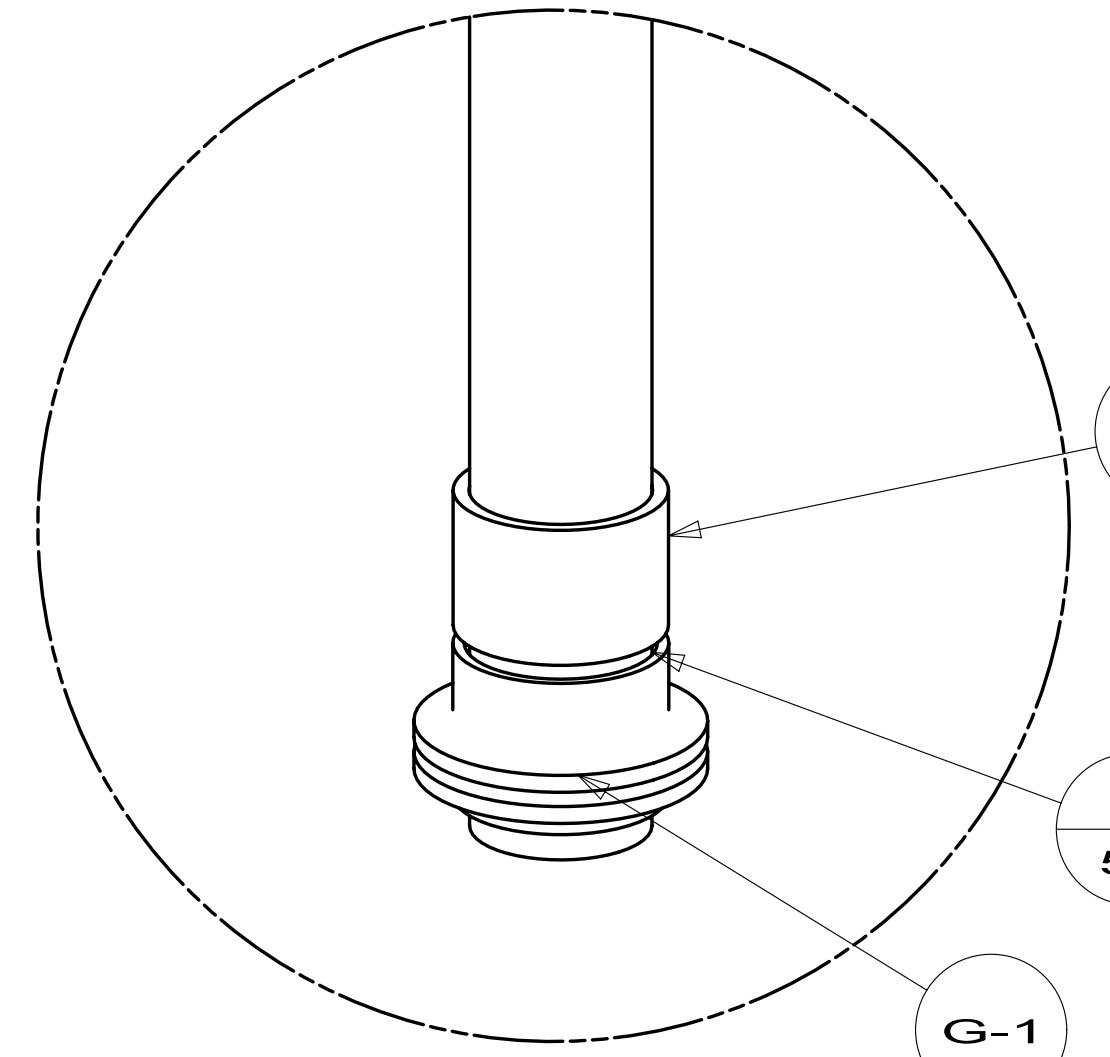


- 22A VACUUM SYS-CENTRAL-WITHOUT
- 22T VACUUM SYSTEM-CENTRAL
- 21S WASHER/DRYER STACKED
- 1B1 CODES/STANDARDS USA
- 265 CODES/STDS-CSA,CMVSS
- 21M WASHER/DRYER PREP
- 214 DISHWASHER DRAWER STYLE
- 215 DISHWASHER WITHOUT

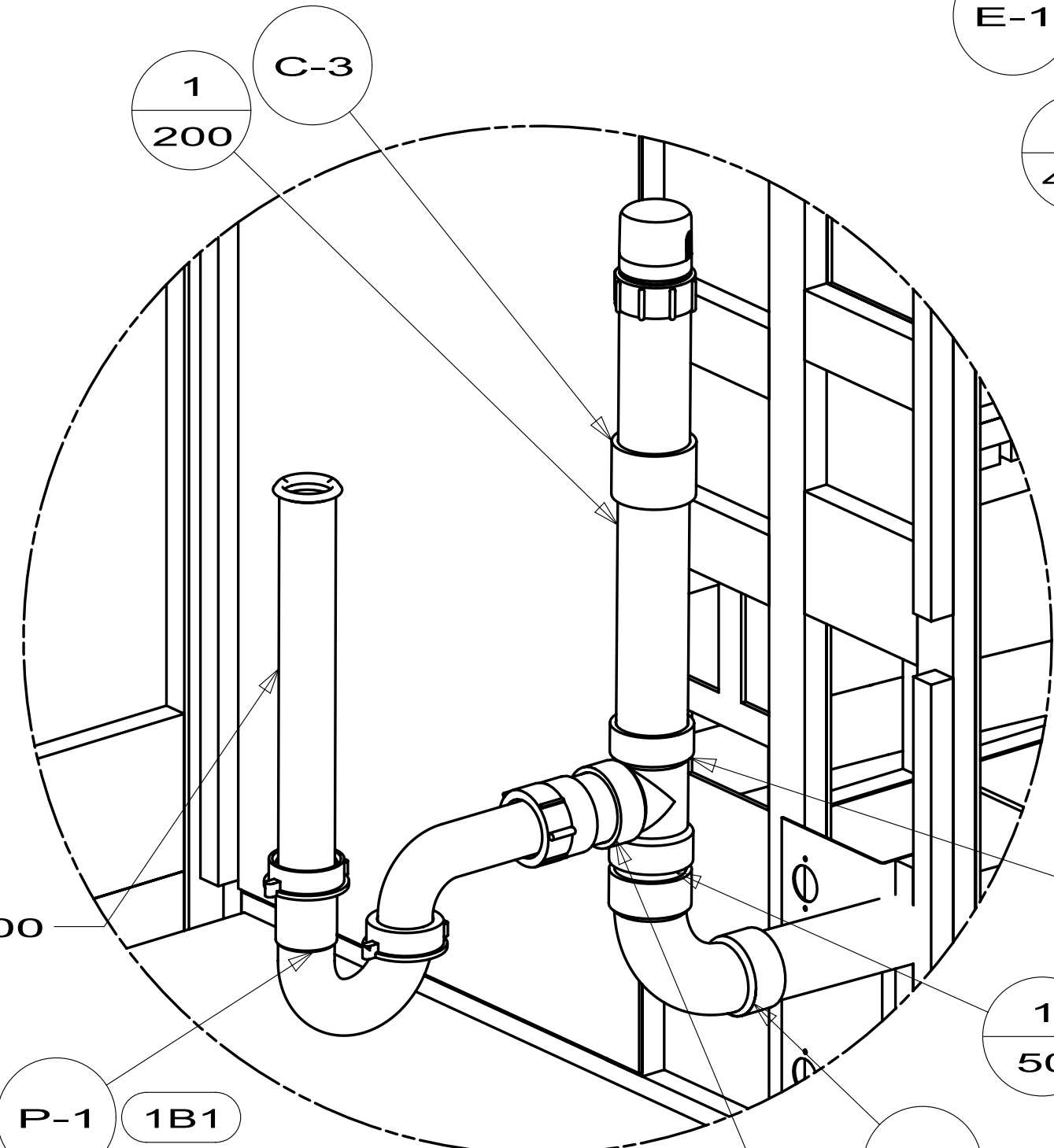
- 12 REQUIRES 5 GALLONS RV ANTIFREEZE 157665-02-000 PER TOLIET. FOLLOW TECMA TOLIET WINTERIZATION PROCEDURE.
- 11 USE SMOOTH PLUMBERS PUTTY 167459-01-000 TO SEAL STRAINER (0.2 PER STRAINER).
- 10 ATTACH TANK BRACKET TO RISER.
- 9 APPLY PRIMER 126427-02-000 AND CEMENT 126427-01-000 BETWEEN ELBOW AND FLEX PIPE.
8. SECURE DRAINAGE PIPES TO CABINET USING WIRE TIE 108046-02-000, AND SCREW 000G67-10-12B AT INTERVALS OF NOT OF NOT MORE THAN 4 FEET APART.
- 7 SECURE VENT PIPE TO FLOOR WITH CLAMP 062401-02-000 (2),SCREW 000G67-10-12B (2), BRACKET 136878-01-CHT (2).
- 6 VENT PIPE MUST PROJECT 51 MIN AND 64 MAX ABOVE ROOF FOR PROPER FIT AND FUNCTION.
5. SEAL AROUND SHOWER WITH SILICONE.
- 4 GLUE FITTING AFTER CABINET IS INSTALLED.
3. ALL PIPE AND FITTINGS TO BE ASSEMBLED WITH SOLVENT 004020-01-000 (USA), 004020-02-000 (CAN)
2. SLOPE OF TRAP ARM MUST BE 6 PER 305 mm.
1. SLOPE OF HORIZONTAL PIPING TO BE MINIMUM OF 3 PER 305 mm.

		COPYRIGHT 2012 WINNEBAGO INDUSTRIES, INC.	
DTR	ORIG. DATE	ALL DIMENSIONS ARE IN MILLIMETERS	
CHKR			
P.E.			
M.E.	FIRST USED	11 R42QD	
DSNR			
UNSPECIFIED TOLERANCES ARE:		MATERIAL:	
WHOLE DIM (X)	: 3		
ONE-PLACE (X.X)	: 1.5		
TWO-PLACE (X.XX)	: 0.50		
ANGLE	: 1°		
THIRD ANGLE PROJECTION			
DO NOT SCALE DRAWING		REFER TO ES0018 FOR FASTENER TIGHTENING GUIDELINES	
TITLE: DRAINAGE SYSTEM INSTL			
SHEET 1 OF 4	PART NO	174482	REV
REF:	1		

FOR DRAINAGE CALLOUTS SEE DWG NO 116229-01-000



DETAIL F
(SHOWN W/OUT CABINETS AND FLOOR)



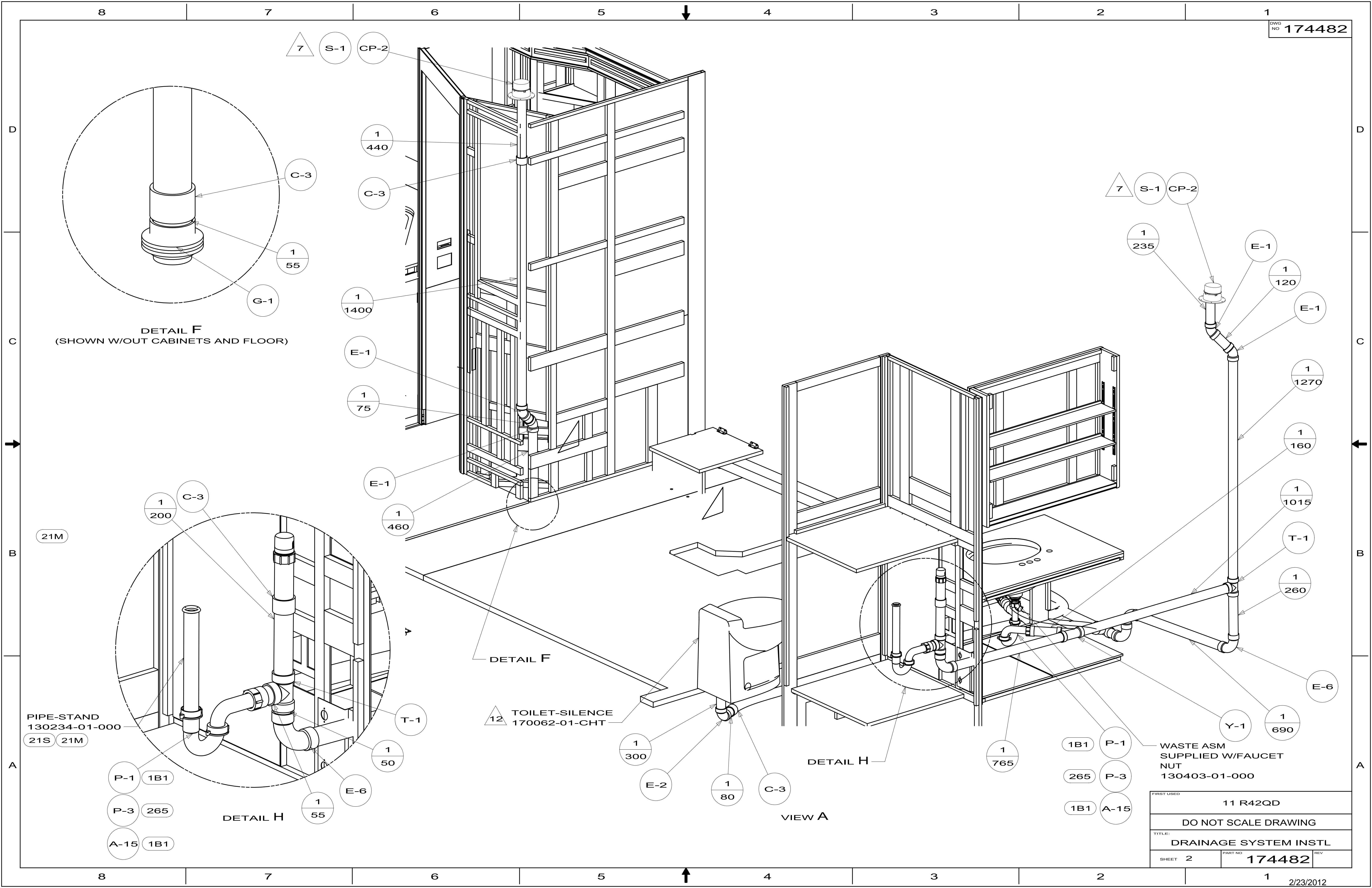
DETAIL H

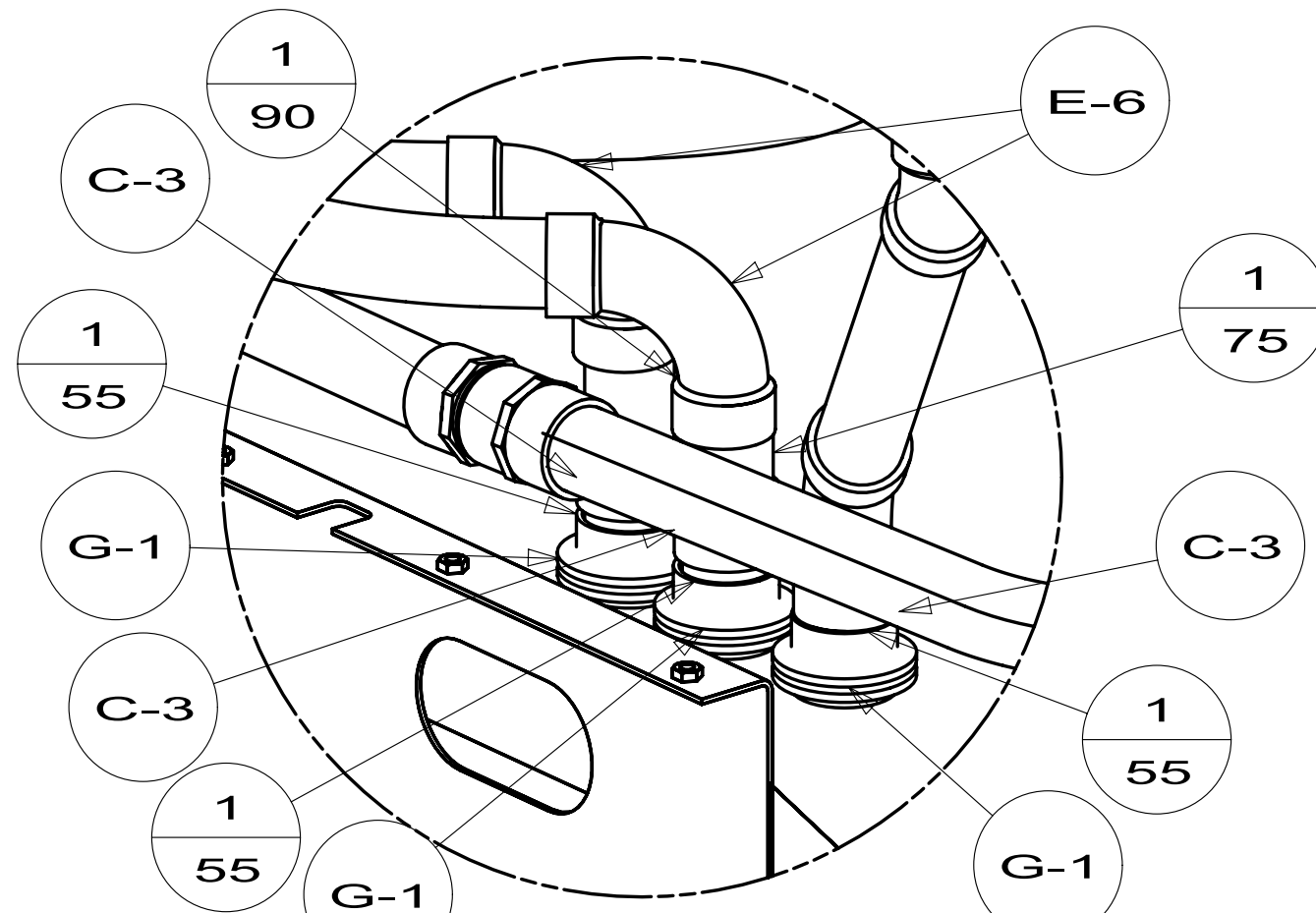
PIPE-STAND
130234-01-000
21S 21M

TOILET-SILENCE
170062-01-CHT

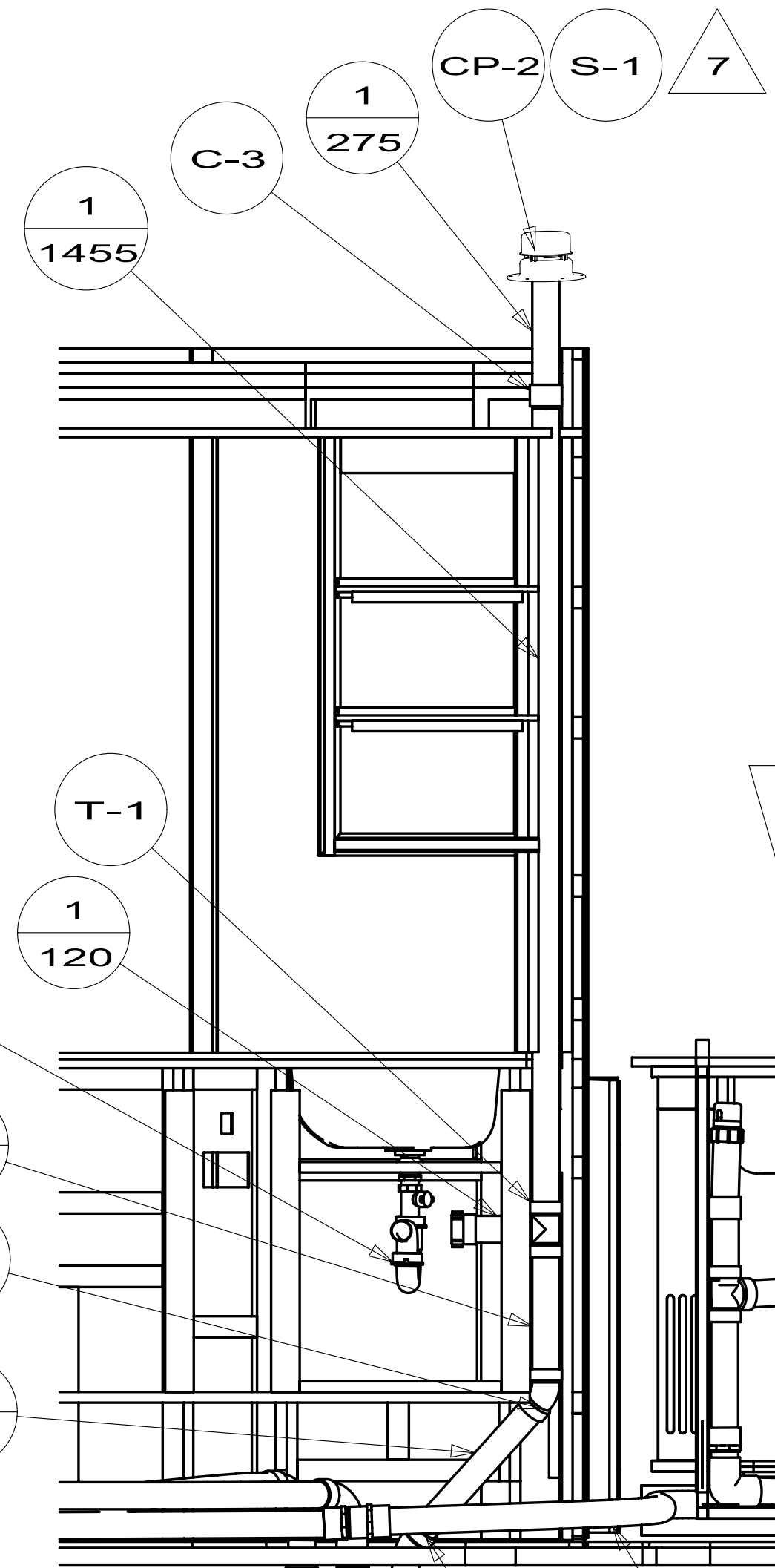
WASTE ASM
SUPPLIED W/FAUCET
NUT
130403-01-000

FIRST USED	11 R42QD	
TITLE:	DO NOT SCALE DRAWING	
	DRAINAGE SYSTEM INSTL	
SHEET 2	PART NO 174482	REV

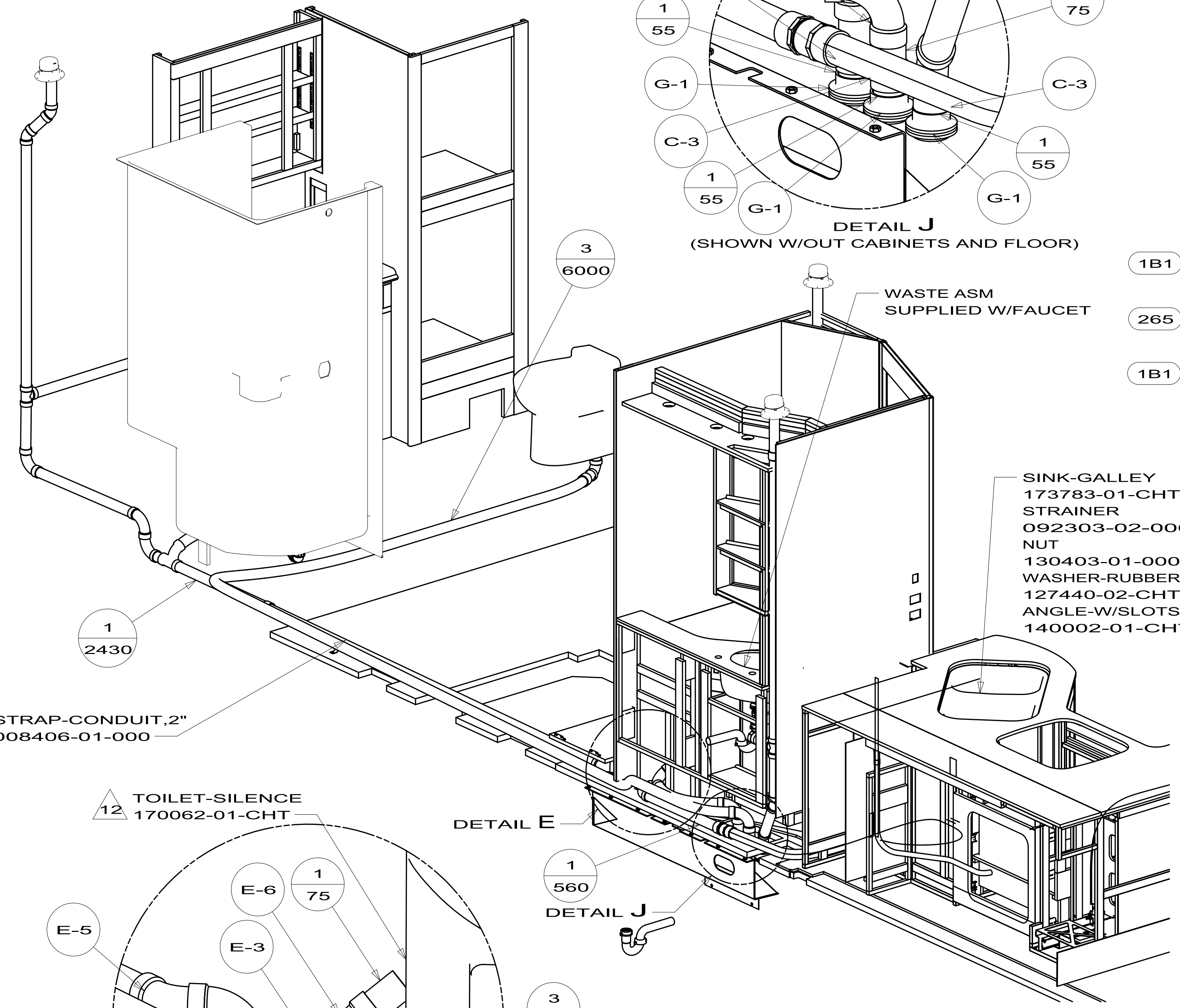




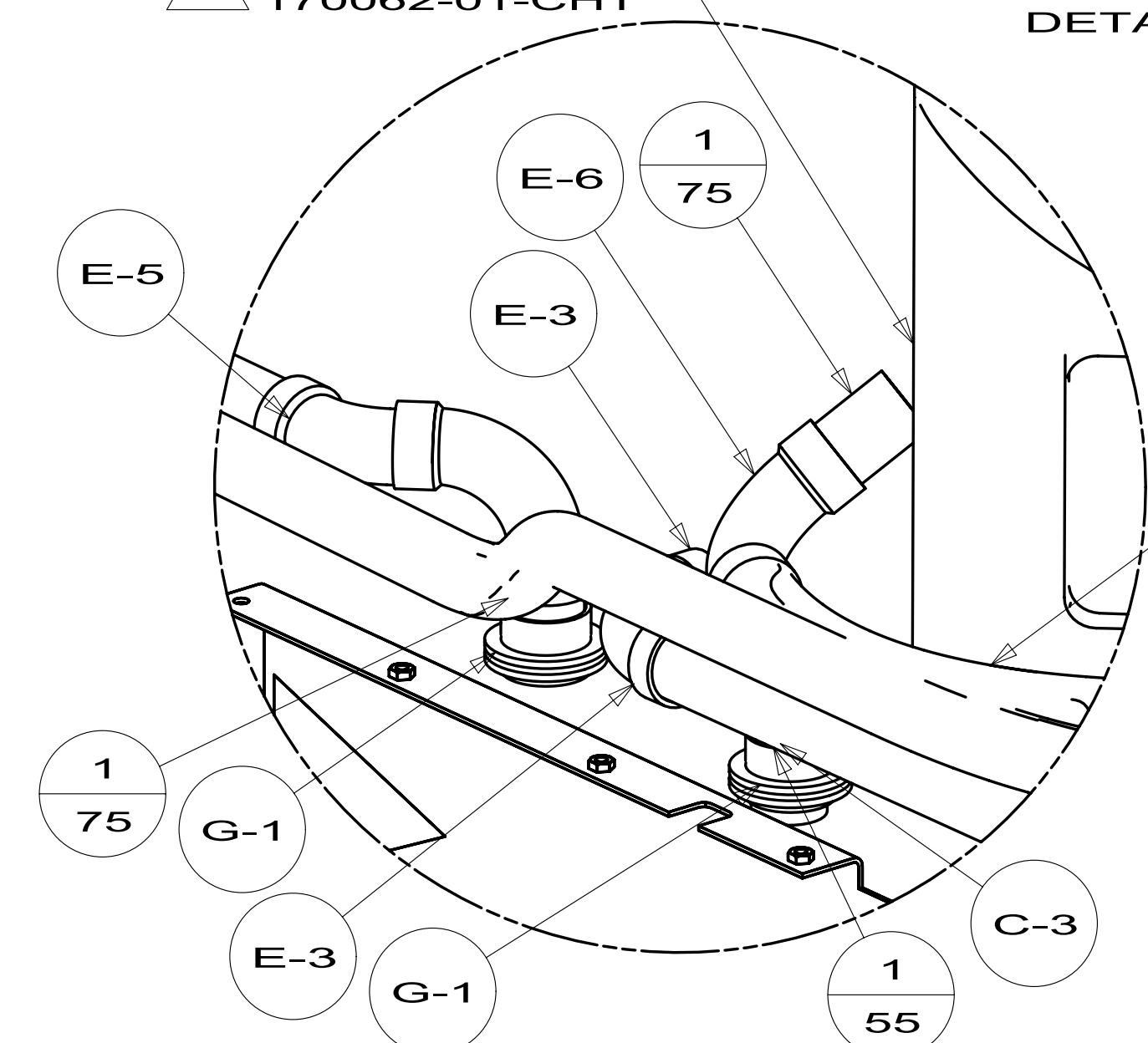
DETAIL J
(SHOWN W/OUT CABINETS AND FLOOR)



VIEW C
(ROTATED)



VIEW B



DETAIL E
(SHOWN W/OUT CABINETS AND FLOOR)

- SINK-GALLEY
173783-01-CHT
- STRAINER
092303-02-000 (2)
- NUT
130403-01-000
- WASHER-RUBBER
127440-02-CHT
- ANGLE-W/SLOTS
140002-01-CHT (10)

WASTE-CONTINUOUS
011091-04-000

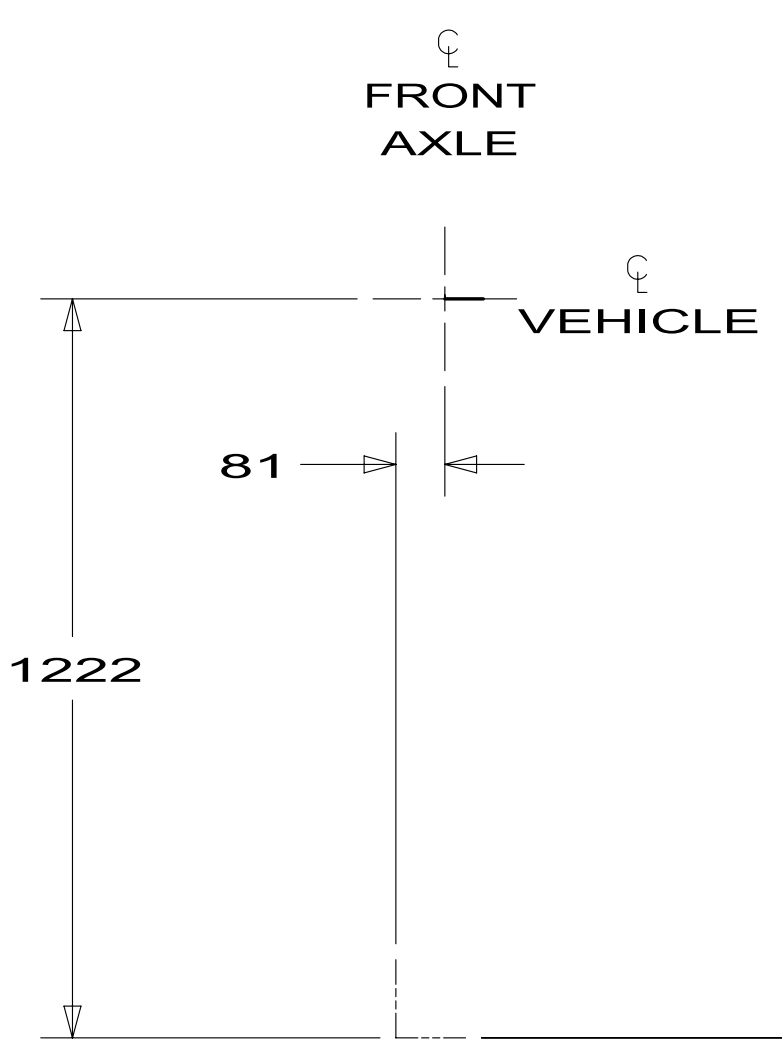
DISHWASHER-HOSE SUPPORT
(SUPPLIED W/DISHWASHER)

DISHWASHER-DRAWER
146340-03-CHT(REF)

STRAP-CONDUIT, 2"
008406-01-000

TOILET-SILENCE
170062-01-CHT

FIRST USED	11 R42QD	
TITLE:	DO NOT SCALE DRAWING	
TITLE:	DRAINAGE SYSTEM INSTL	
SHEET 3	PART NO 174482	REV

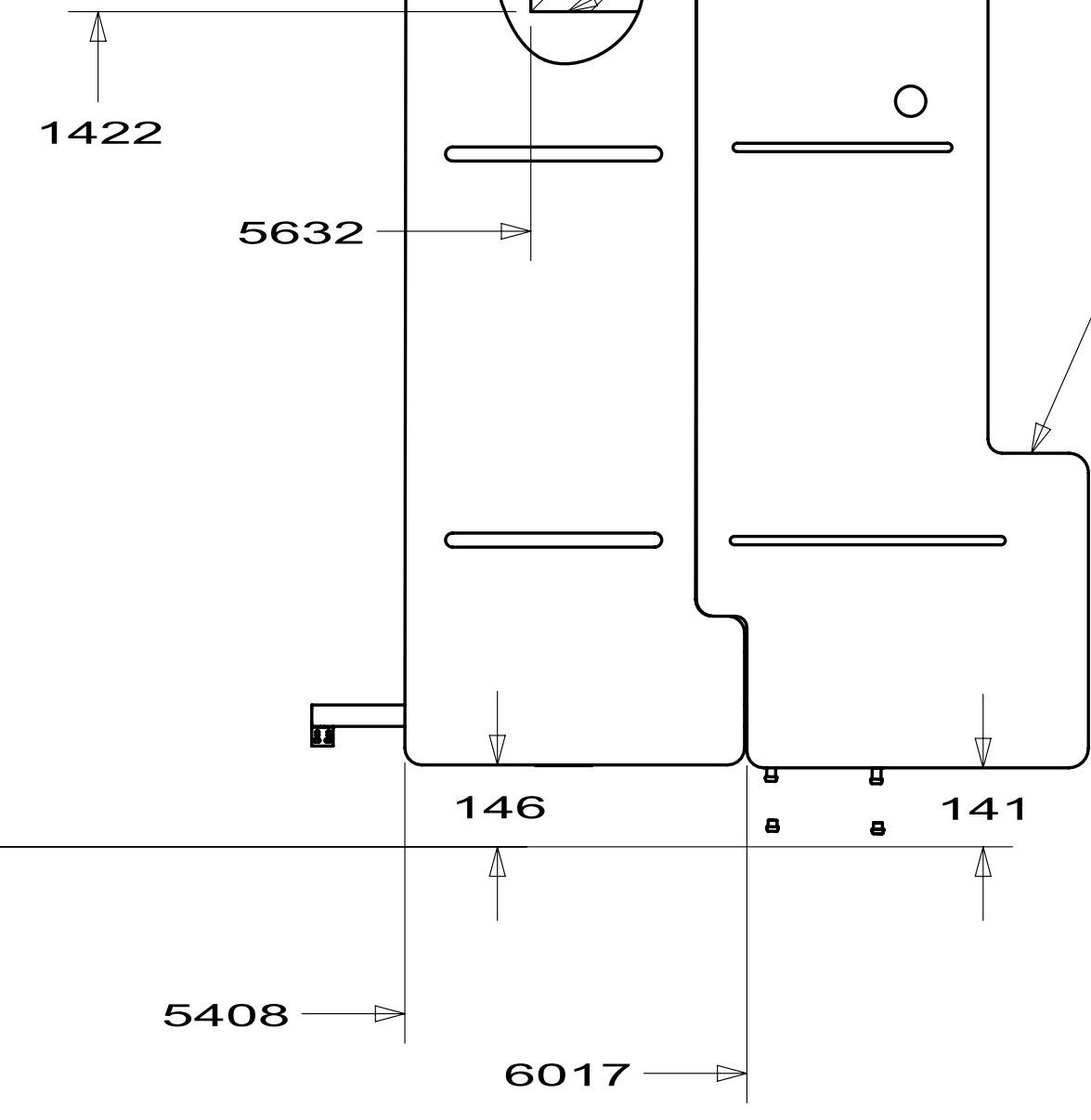


22T BRACKET-ASM TANK
163410-06-CHT
158968-05-CHT

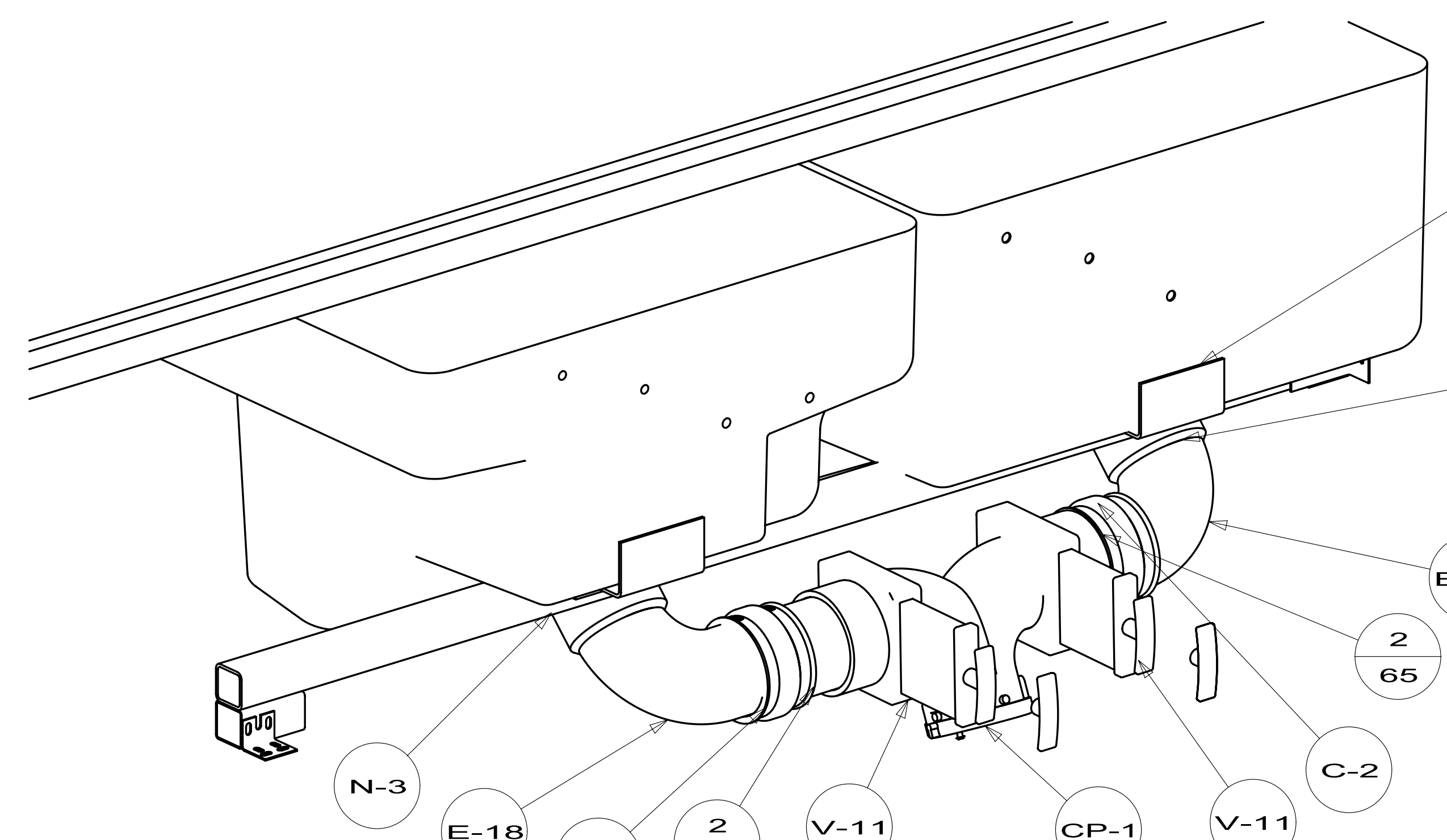
TANK ASM-HOLDING
161224-06-000

PLATFORM-HOLDING TANK
126714-49-000

TANK-HOLDING, 71 GAL
174852-02-000



TOP VIEW SHOWING TANKS AND DRAINS

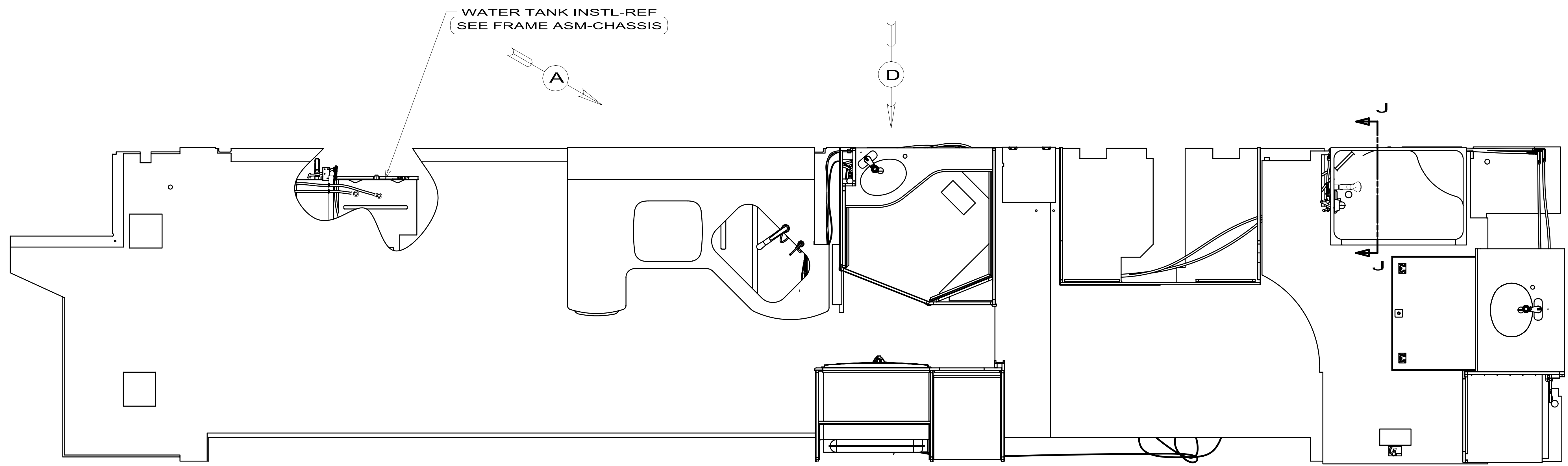


BRACKET-DRAINAGE TANK
146080-02-CHT(2)

VALVE-SEWER HOSE
144728-01-000
CLAMP-HOSE
62401-09-000

VIEW G

FIRST USED	11 R42QD	
TITLE:	DO NOT SCALE DRAWING	
TITLE:	DRAINAGE SYSTEM INSTL	
SHEET 4	PART NO 174482	REV

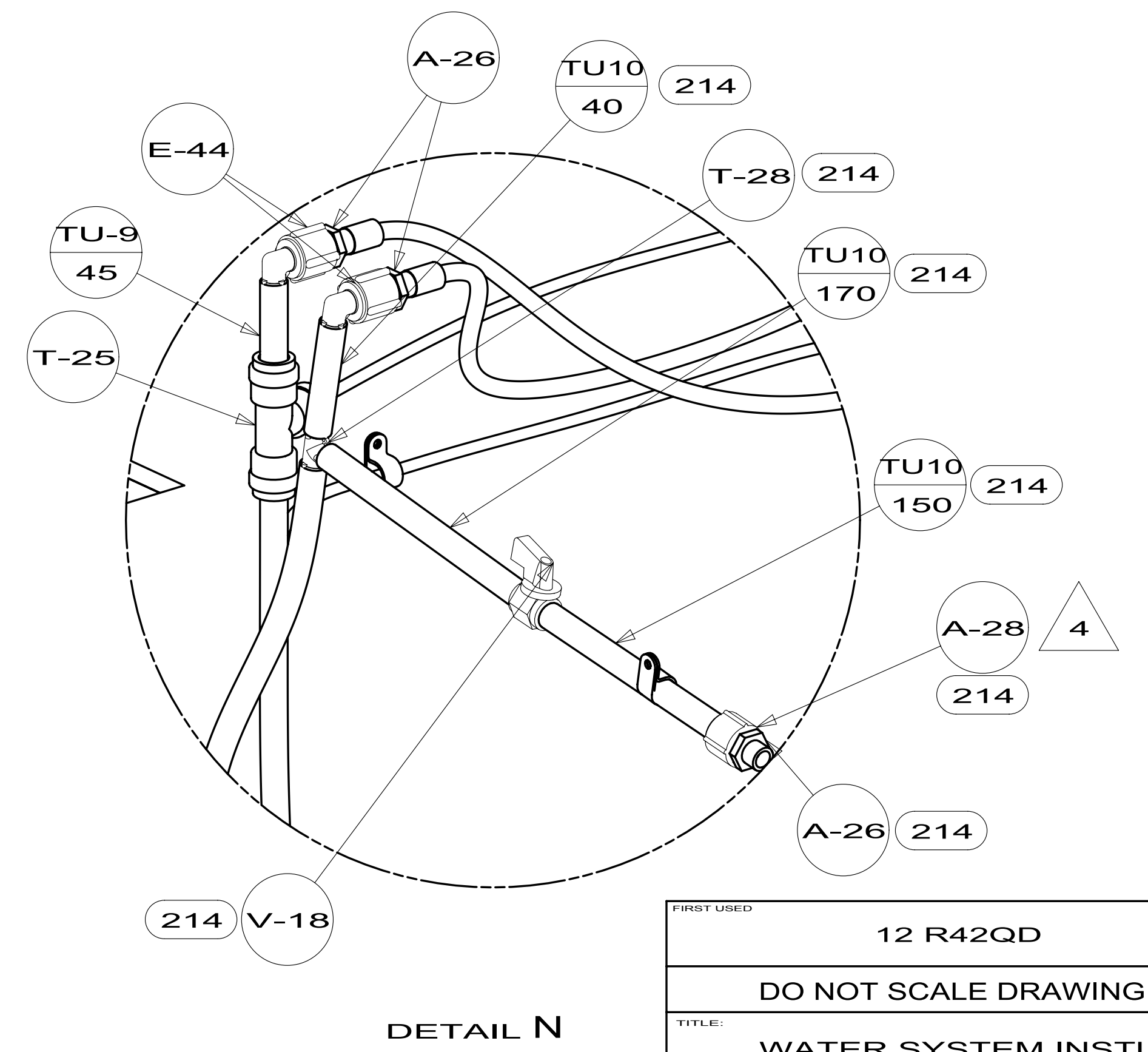
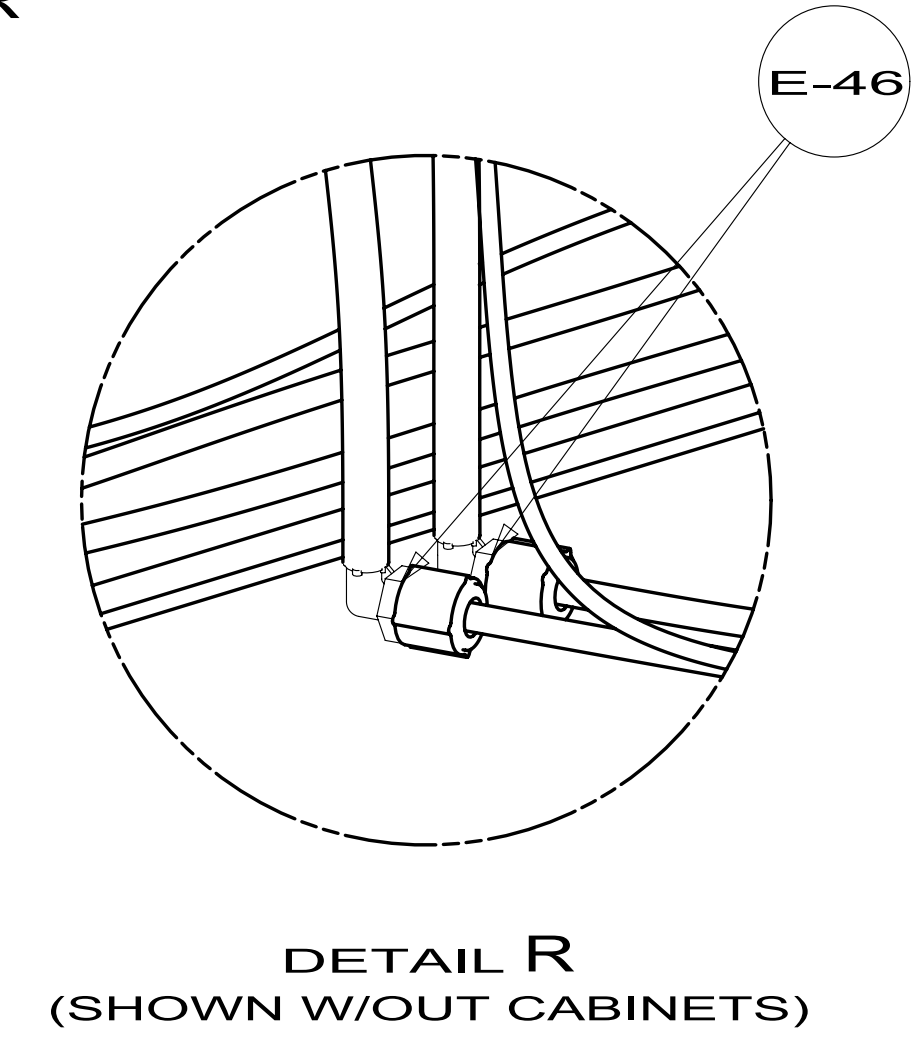
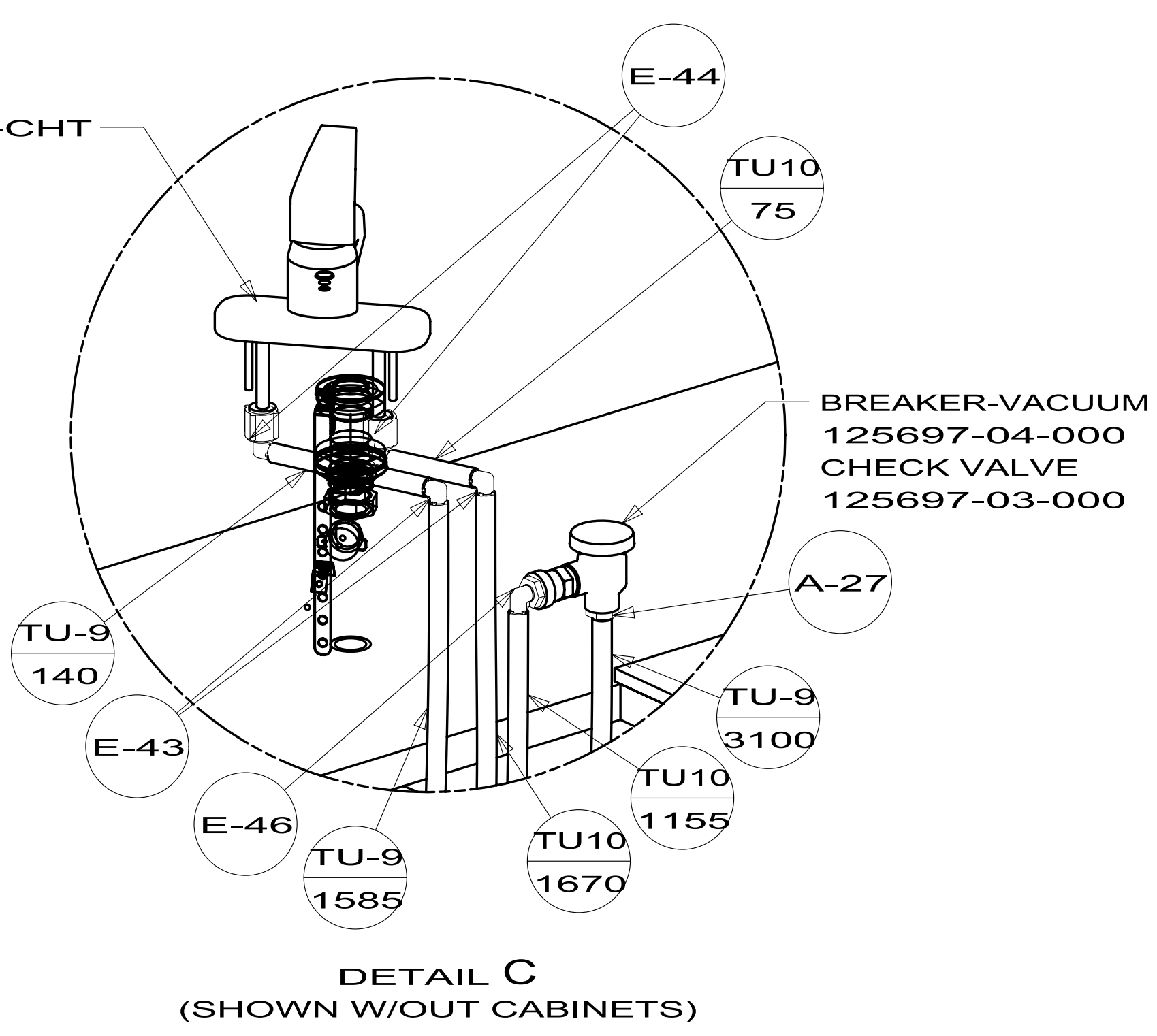
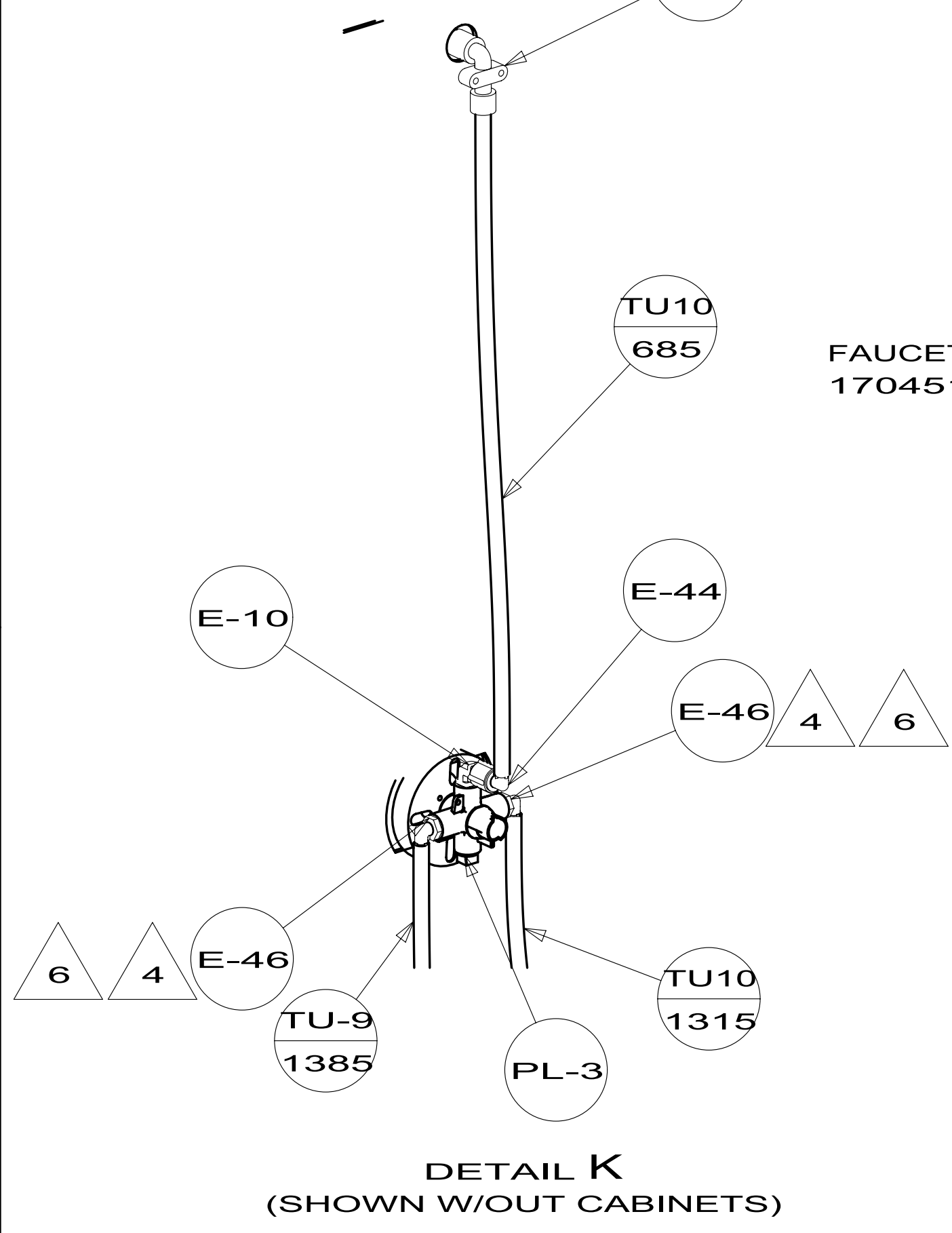
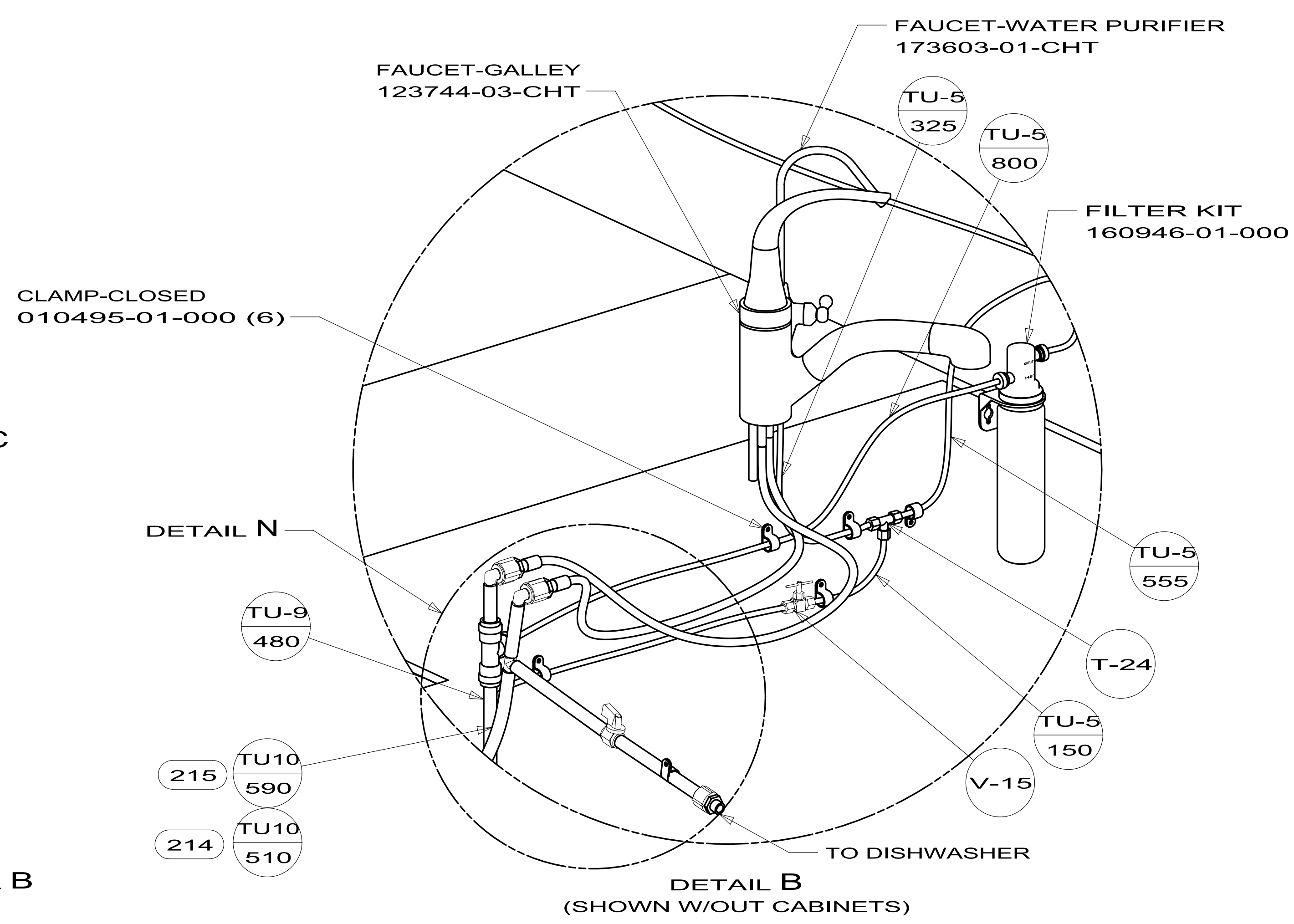
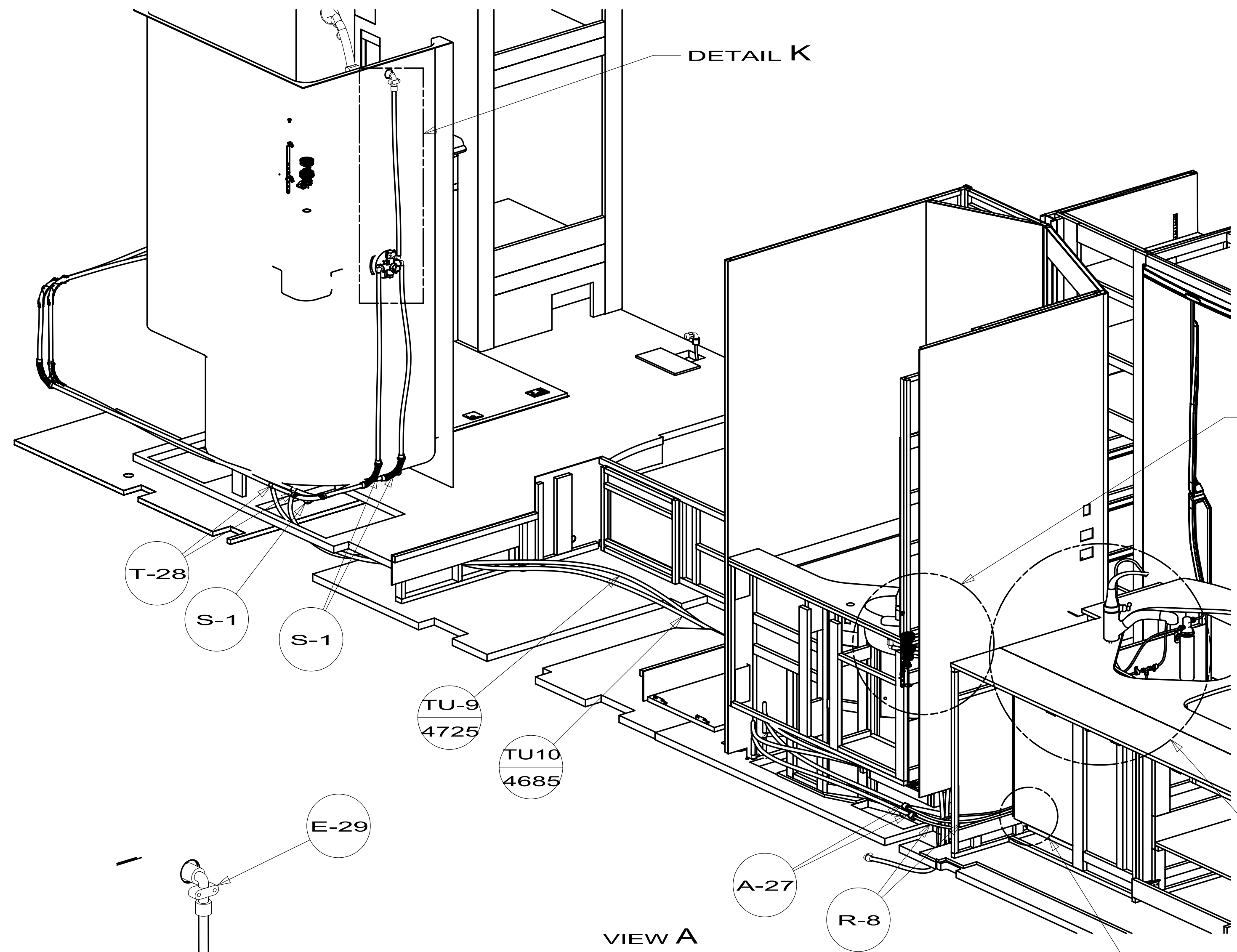


10. FOLLOW AQUA HOT TEST PROCEDURE- REQUIRES 5 GALLONS OF 157665-02-000 ANTIFREEZE FOR WINTERIZATION.
- 9 VALVE MUST REMAIN OPEN AFTER WATER TEST.
8. ALL CRIMP FITTINGS TO 1/2" PEX TUBING REQUIRE 1/2" CLAMP 140171-03-000.
7. ALL CRIMP FITTINGS TO 5/8" PEX TUBING REQUIRE 5/8" CLAMP 140171-04-000.
- 6 LABEL HOT AND COLD SUPPLY TUBES AND TAPE FITTING TO TUBE BEFORE CABINET SET TO PREVENT MOVEMENT.
- 5 ADD PIPE WRAP (LADDER SCRAP 110157-02-000) INSULATION.
- 4 ADD TEFLON TAPE 010405-02-000.
3. ALL TUBING TO BE SECURED AT 1200 INTERVALS MAXIMUM WITH CLAMP 010495-01-000 AND SCREW 000G67-10-12U OR EQUIVALENT.
2. TUBING TO BE INSTALLED WITH SUFFICIENT SLOPE TO PROVIDE DRAINAGE TO NEAREST VALVE.
1. PLASTIC FITTINGS TO BE SEALED WITH SEALANT 084456-01-000.

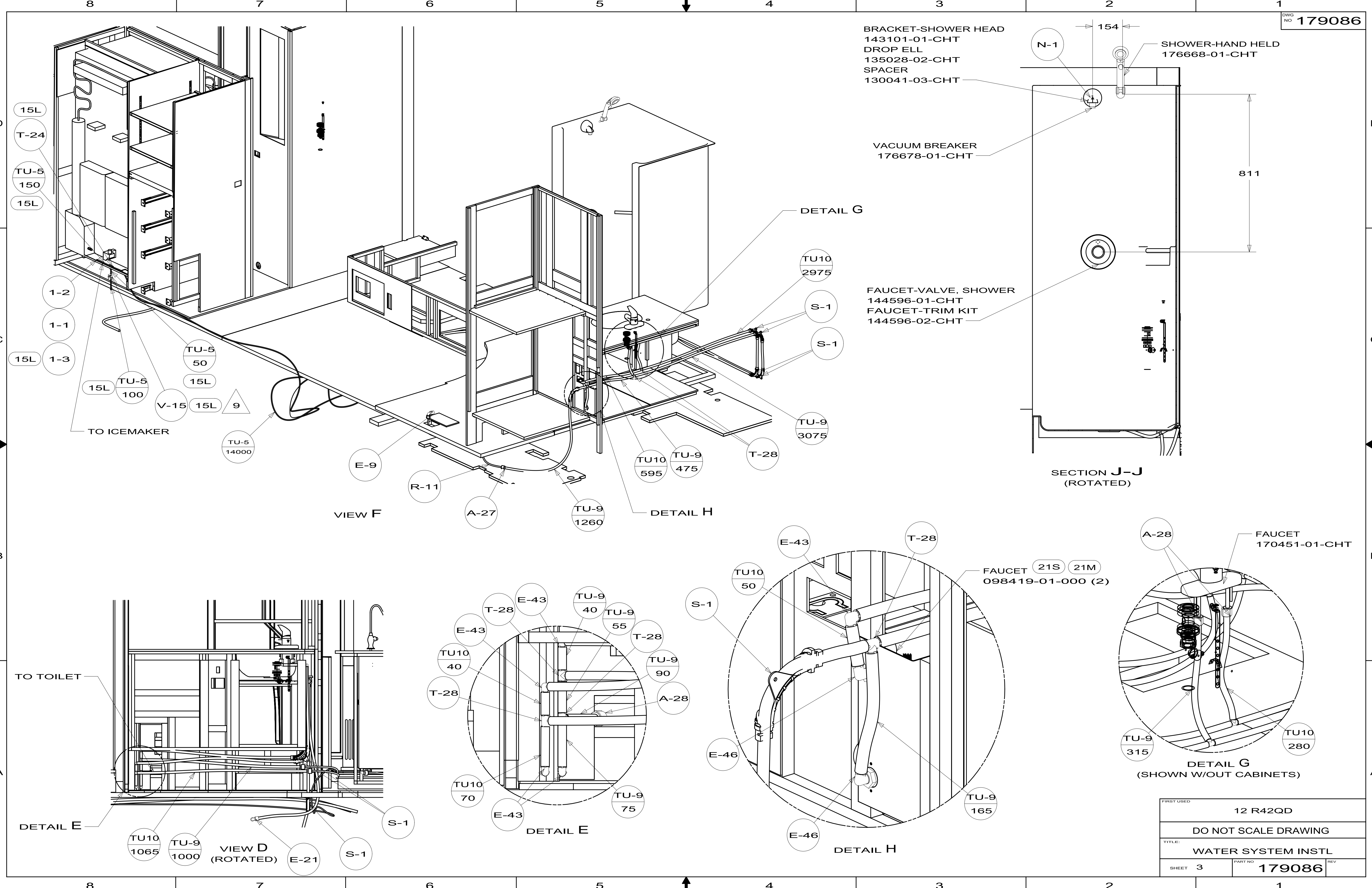
- 21S WASHER & DRYER-PAIR
- 21M WASHER/DRYER PREP
- 214 DISHWASHER-DRAWER STYLE
- 215 DISHWASHER WITHOUT
- 505 HOSE REEL-WATER,POWERED

		COPYRIGHT 2012 WINNEBAGO INDUSTRIES, INC.
DTR	ORIG. DATE	
CHKR	ALL DIMENSIONS ARE IN MILLIMETERS	
P.E.		
M.E.	FIRST USED	
DSNR	12 R42QD	
UNSPECIFIED TOLERANCES ARE:		MATERIAL:
WHOLE DIM (X)	: 3	
ONE-PLACE (X.X)	: 1.5	
TWO-PLACE (X.XX)	: 0.50	
ANGLE	: 1°	
THIRD ANGLE PROJECTION		
DO NOT SCALE DRAWING		REFER TO ES0018 FOR FASTENER TIGHTENING GUIDELINES
TITLE: WATER SYSTEM INSTL		
SHEET 1 OF 4	PART NO 179086	REV
REF:	1	

FOR
WATER
CALLOUTS
SEE DWG NO
116230-01-000



FIRST USED	12 R42QD	
TITLE:	DO NOT SCALE DRAWING	
SHEET	2	PART NO 179086
REV		



BRACKET-SHOWER HEAD
 143101-01-CHT
 DROP ELL
 135028-02-CHT
 SPACER
 130041-03-CHT

SHOWER-HAND HELD
 176668-01-CHT

VACUUM BREAKER
 176678-01-CHT

FAUCET-VALVE, SHOWER
 144596-01-CHT
 FAUCET-TRIM KIT
 144596-02-CHT

SECTION J-J
 (ROTATED)

FAUCET 21S 21M
 098419-01-000 (2)

FAUCET
 170451-01-CHT

DETAIL G
 (SHOWN W/OUT CABINETS)

FIRST USED	12 R42QD	
DO NOT SCALE DRAWING		
TITLE:	WATER SYSTEM INSTL	
SHEET 3	PART NO	179086
	REV	

TO WATER TANK
(SEE FRAME ASM-CHASSIS
FOR WATER TANK INSTL)

COVER-VALVE,BYPASS
138618-03-CHT

SERVICE CTR ASM
163268-10-XXX

WATER CENTER ASM
157511-22-XXX

TO FURNACE-HYDRONIC

SHOWING LINES UNDER FLOOR

VIEW P
(SHOWN W/OUT BRACKET)

SECTION M-M

VIEW L

- HOSE-REEL,POWERED 505
- 142675-01-CHT
- BRACKET
- 145758-01-CHT
- RIVET
- 118626-01-CHT (4)
- SCREW
- 000G39-10-20U (2)

FIRST USED	12 R42QD		
TITLE:	DO NOT SCALE DRAWING		
	WATER SYSTEM INSTL		
SHEET 4	PART NO	179086	REV