

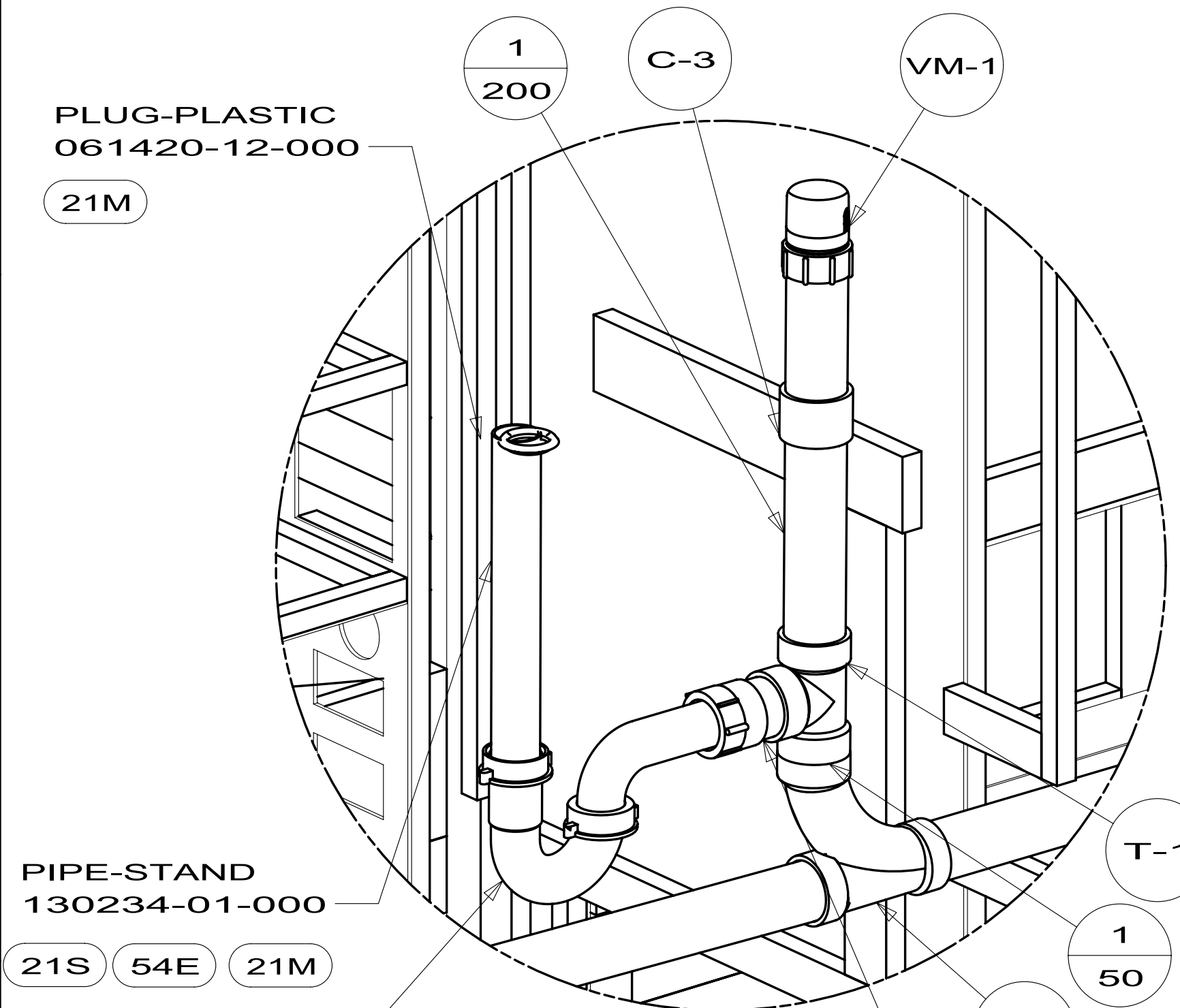
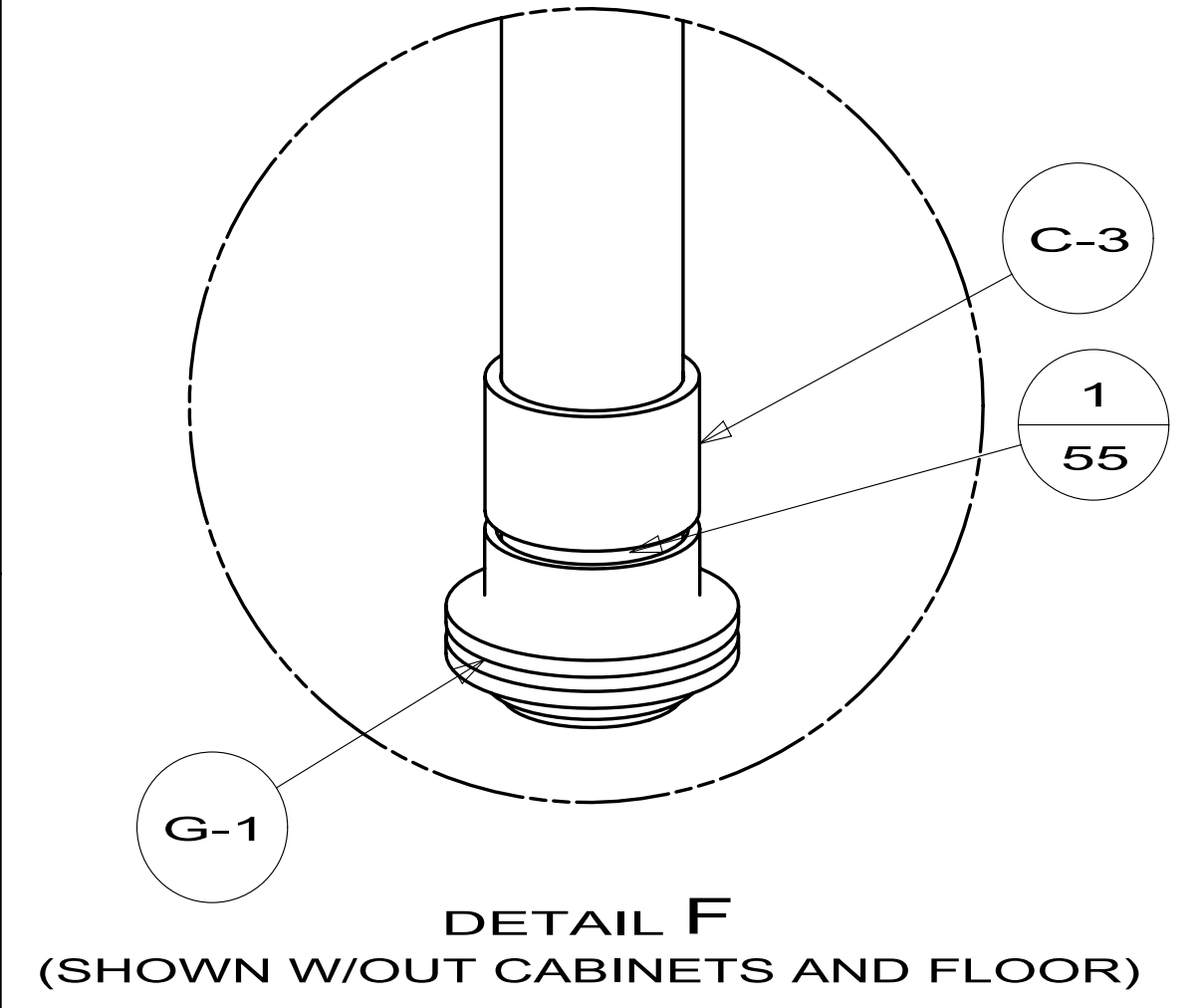
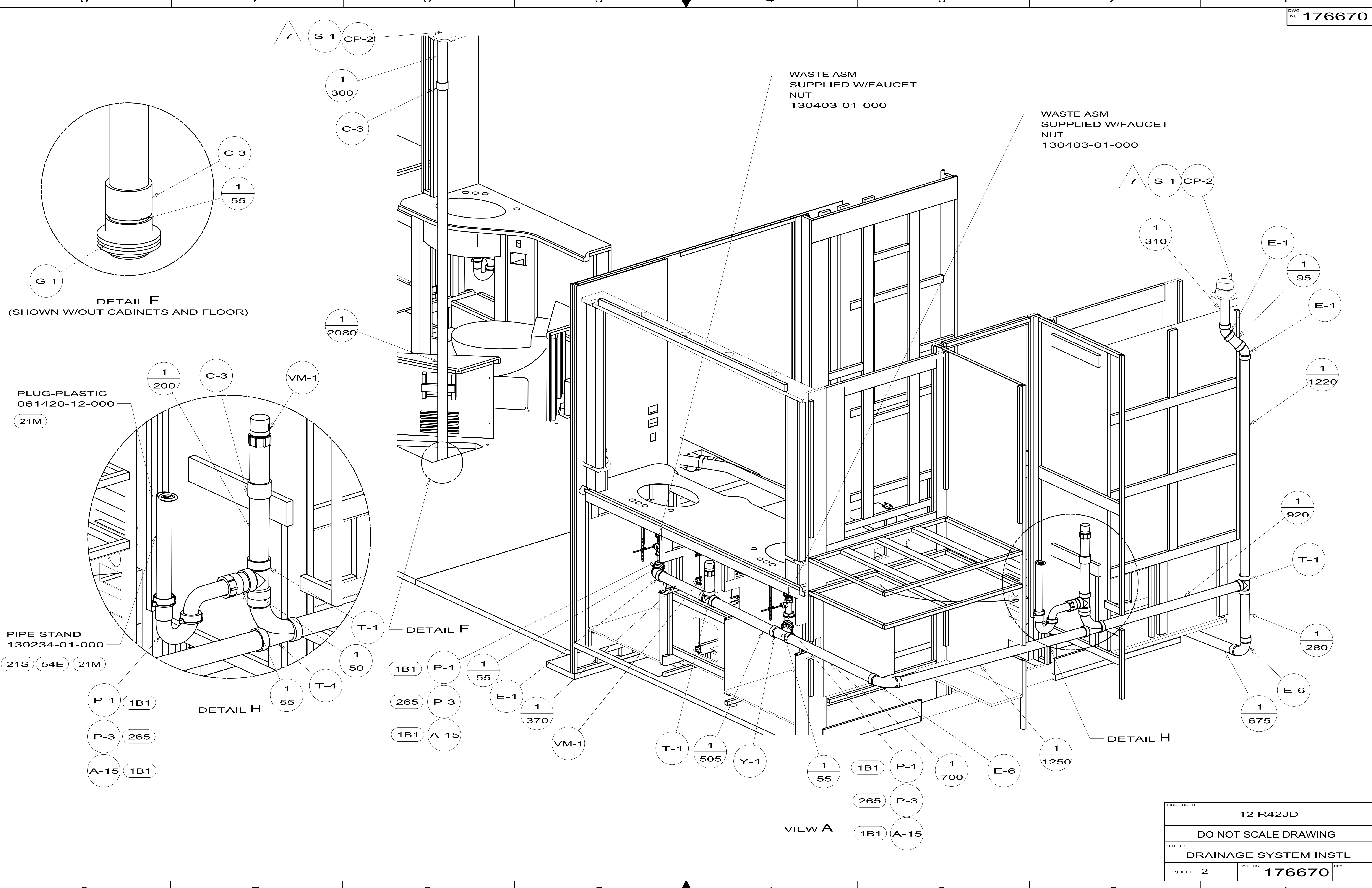
- 22A VACUUM SYS-CENTRAL-WITHOUT
- 22T VACUUM SYSTEM-CENTRAL
- 21S WASHER/DRYER STACKED
- 1B1 CODES/STANDARDS USA
- 265 CODES/STDS-CSA,CMVSS
- 54E WASHER DRYER
- 21M WASHER/DRYER PREP
- 214 DISHWASHER DRAWER STYLE
- 215 DISHWASHER WITHOUT

- 11 USE SMOOTH PLUMBERS PUTTY 167459-01-000 TO SEAL STRAINER (0.2 PER STRAINER).
- 10 ATTACH TANK BRACKET TO RISER.
- 9 APPLY PRIMER 126427-02-000 AND CEMENT 126427-01-000 BETWEEN ELBOW AND FLEX PIPE.
- 8. SECURE DRAINAGE PIPES TO CABINET USING WIRE TIE 108046-02-000, AND SCREW 000G67-10-12B AT INTERVALS OF NOT OF NOT MORE THAN 4 FEET APART.
- 7 SECURE VENT PIPE TO FLOOR WITH CLAMP 062401-02-000 (2),SCREW 000G67-10-12B (2), BRACKET 136878-01-CHT (2).
- 6 VENT PIPE MUST PROJECT 51 MIN AND 64 MAX ABOVE ROOF FOR PROPER FIT AND FUNCTION.
- 5. SEAL AROUND SHOWER WITH SILICONE.
- 4 GLUE FITTING AFTER CABINET IS INSTALLED.
- 3. ALL PIPE AND FITTINGS TO BE ASSEMBLED WITH SOLVENT 004020-01-000 (USA), 004020-02-000 (CAN)
- 2. SLOPE OF TRAP ARM MUST BE 6 PER 305 mm.
- 1. SLOPE OF HORIZONTAL PIPING TO BE MINIMUM OF 3 PER 305 mm.

		COPYRIGHT 2011 WINNEBAGO INDUSTRIES, INC.	
DTR	ORIG. DATE	ALL DIMENSIONS ARE IN MILLIMETERS	
CHKR			
P.E.			
M.E.	FIRST USED	12 R42JD	
DSNR			
UNSPECIFIED TOLERANCES ARE:		MATERIAL:	
WHOLE DIM (X)	: 3		
ONE-PLACE (X.X)	: 1.5		
TWO-PLACE (X.XX)	: 0.50		
ANGLE	: 1°		
THIRD ANGLE PROJECTION			
DO NOT SCALE DRAWING		REFER TO ES0018 FOR FASTENER TIGHTENING GUIDELINES	
TITLE: DRAINAGE SYSTEM INSTL			
SHEET 1 OF 4	PART NO	176670	REV
REF:	1	8/24/2011	

FOR DRAINAGE CALLOUTS SEE DWG NO 116229-01-000

NOTES:

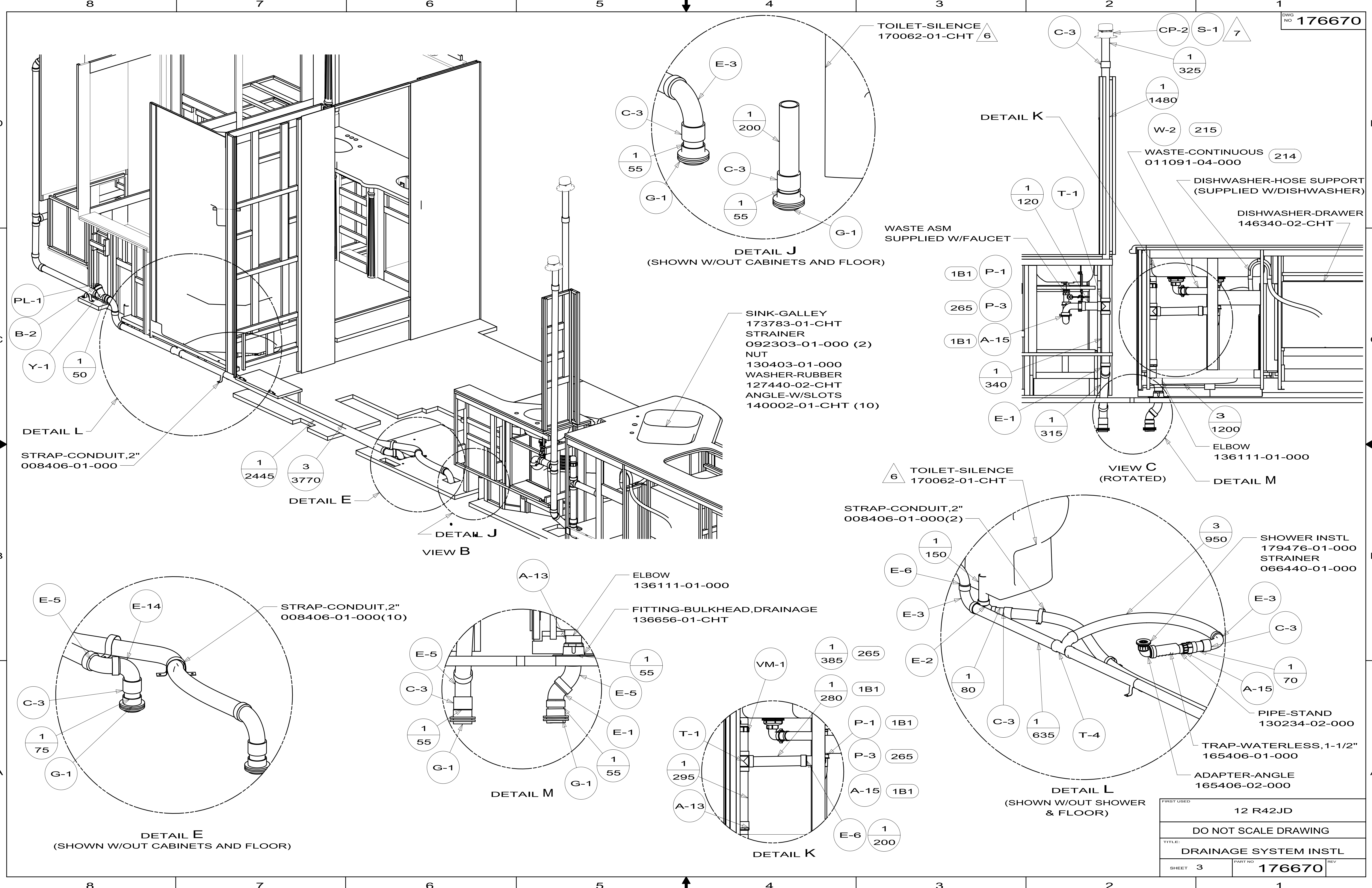


- P-1 1B1
- P-3 265
- A-15 1B1

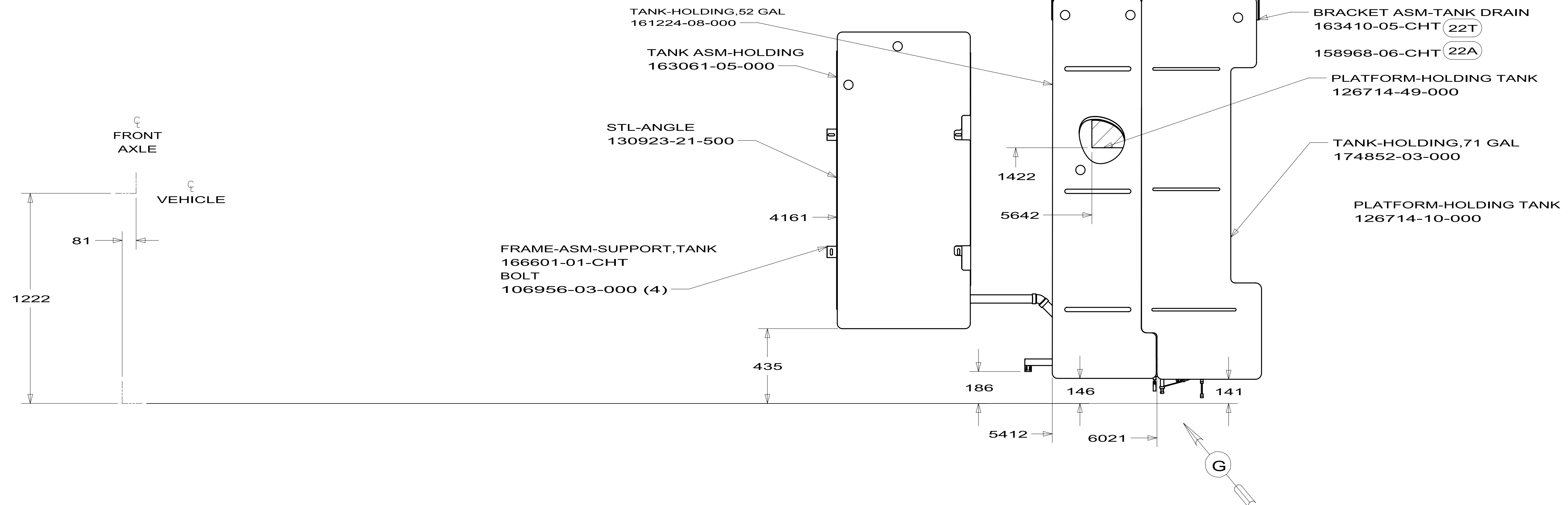
- 1B1 P-1 1/55
- 265 P-3
- 1B1 A-15

VIEW A

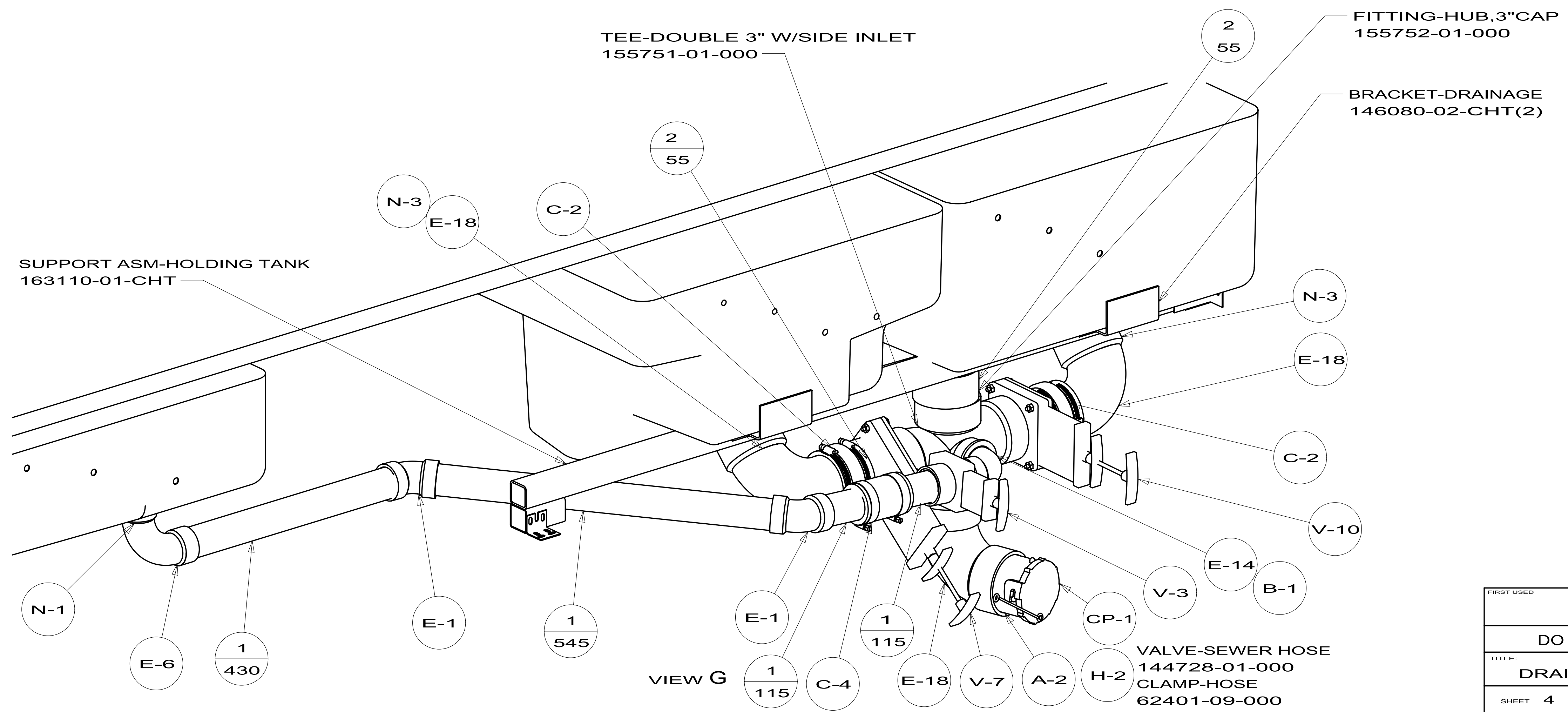
FIRST USED	12 R42JD	
TITLE:	DO NOT SCALE DRAWING	
	DRAINAGE SYSTEM INSTL	
SHEET 2	PART NO 176670	REV



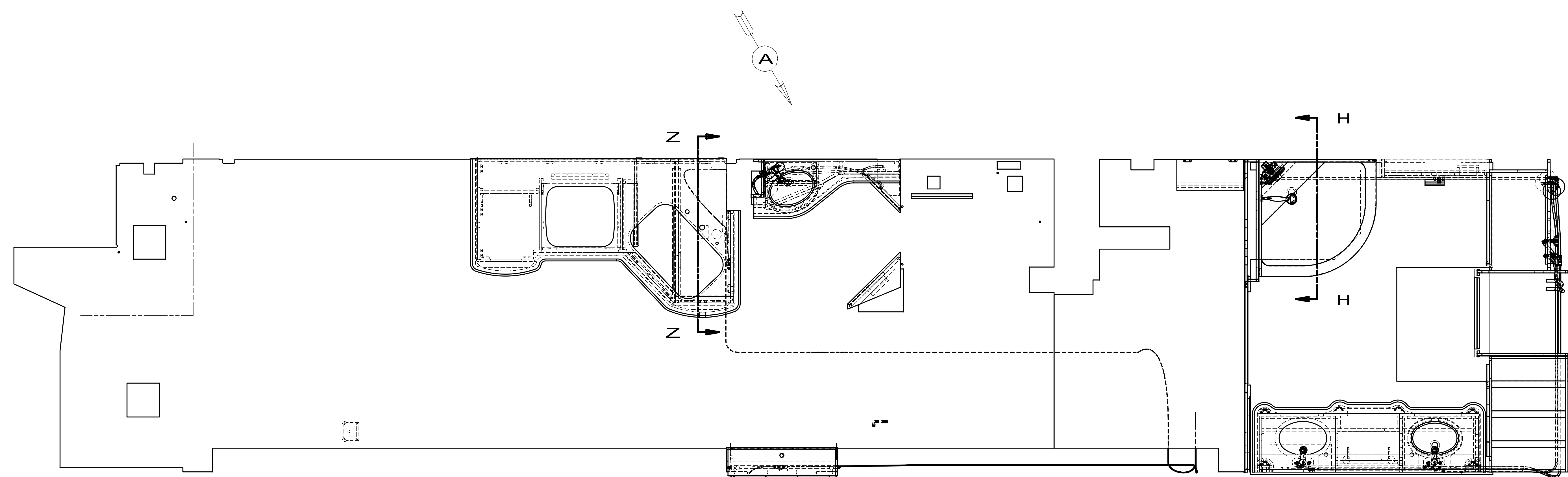
FIRST USED	12 R42JD	
TITLE:	DO NOT SCALE DRAWING	
	DRAINAGE SYSTEM INSTL	
SHEET 3	PART NO	176670
	REV	



TOP VIEW SHOWING TANKS AND DRAINS



FIRST USED	12 R42JD		
TITLE:	DO NOT SCALE DRAWING		
	DRAINAGE SYSTEM INSTL		
SHEET 4	PART NO	176670	REV

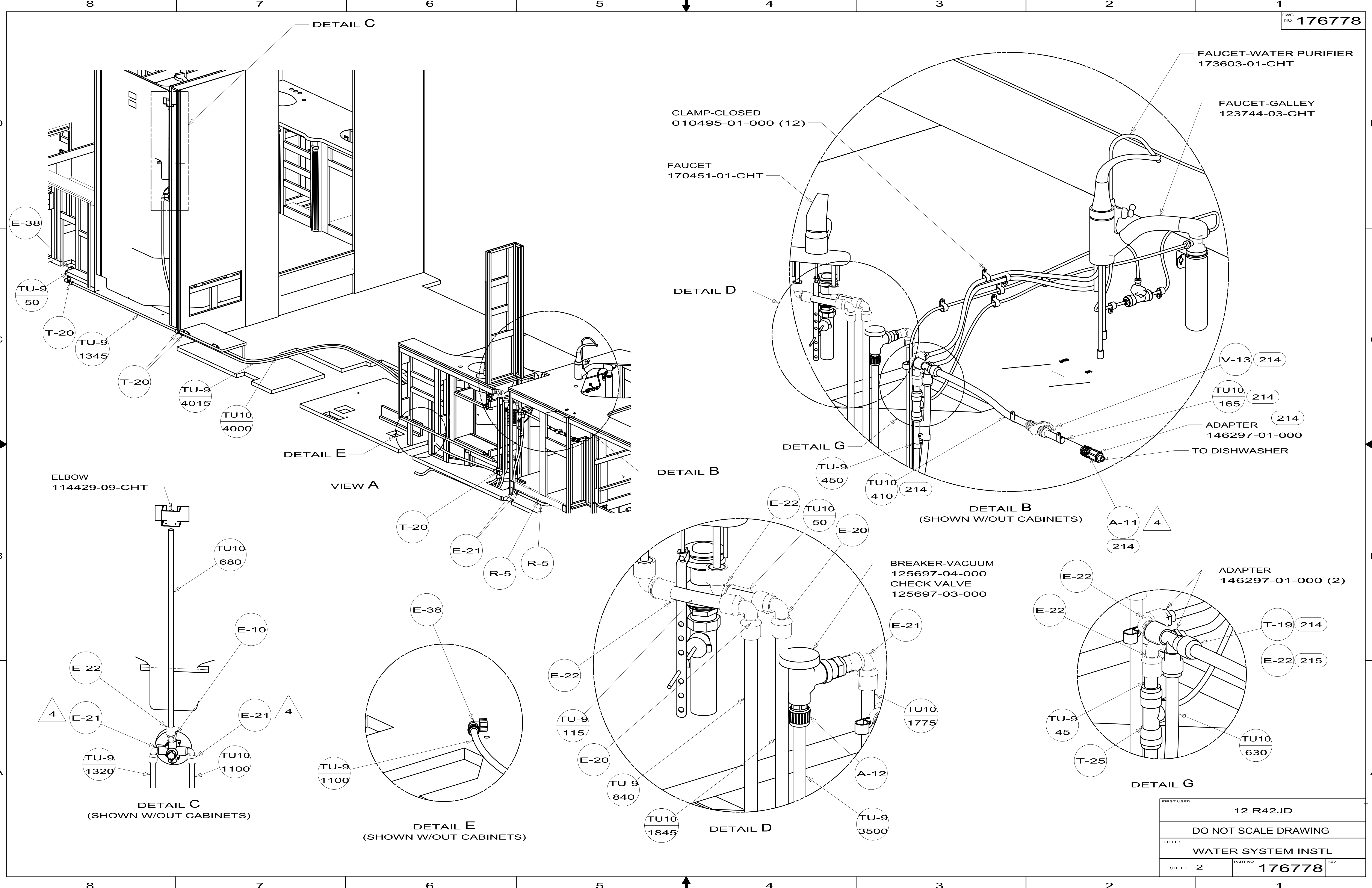


- 54E WASHER/DRYER
- 21M WASHER/DRYER PREP
- 214 DISHWASHER-DRAWER STYLE
- 215 DISHWASHER WITHOUT
- 505 HOSE REEL-WATER,POWERED

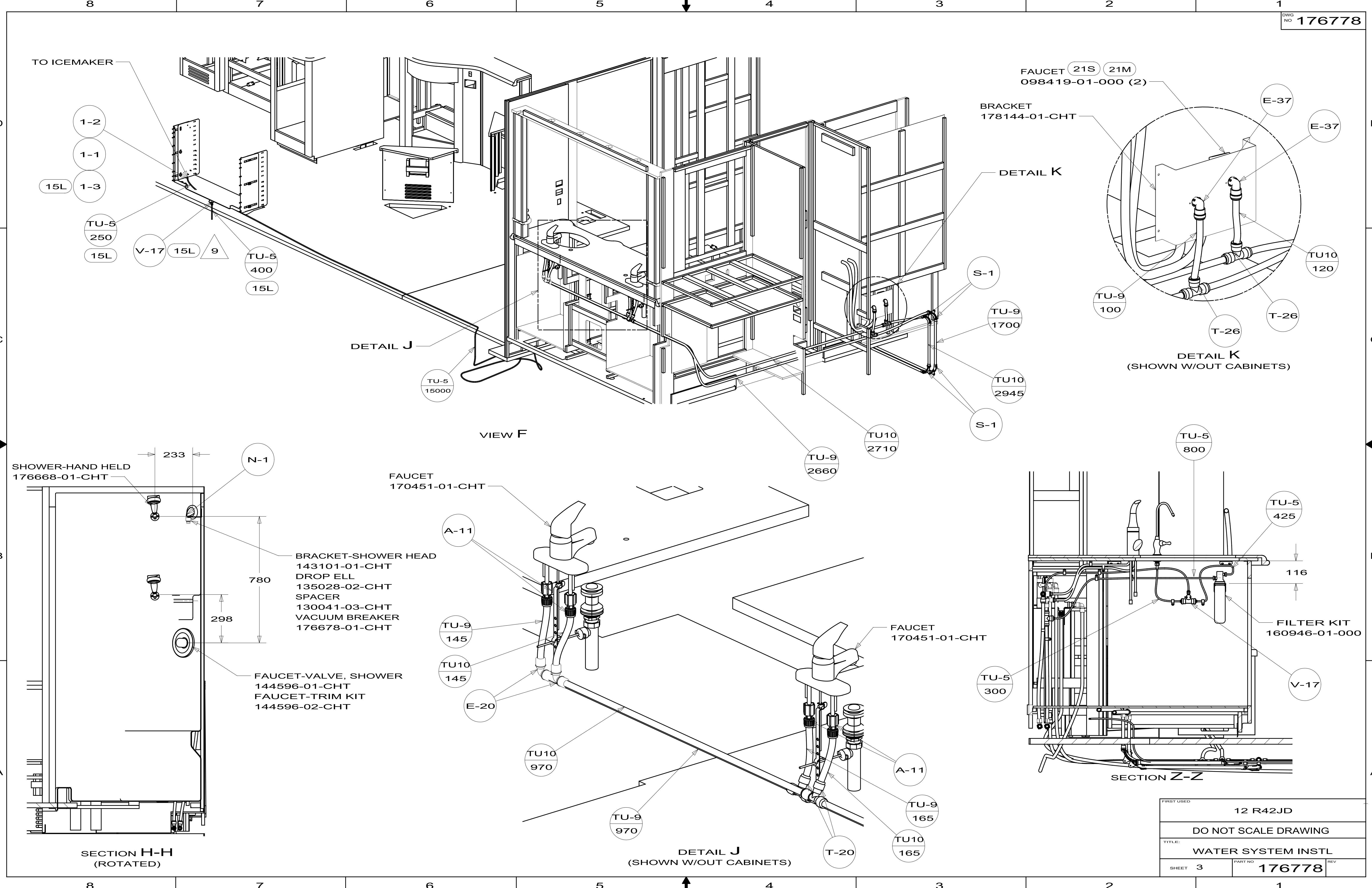
- 9. VALVE MUST REMAIN OPEN AFTER WATER TEST.
- 8. FOLLOW AQUA HOT TEST PROCEDURE- REQUIRES 5 GALLONS OF 157665-02-000 ANTIFREEZE FOR WINTERIZATION.
- 7. ADD PIPE WRAP (LADDER SCRAP 110157-02-000) INSULATION.
- 6. ADD TEFLON TAPE 10405-03-000.
- 5. ADD TEFLON TAPE 10405-02-000.
- 4. ADD TEFLON TAPE 10405-01-000.
- 3. ALL TUBING TO BE SECURED AT 1200 INTERVALS MAXIMUM WITH CLAMP 10495-01-000 AND SCREW G67-10-12B OR EQUIVALENT.
- 2. TUBING TO BE INSTALLED WITH SUFFICIENT SLOPE TO PROVIDE DRAINAGE TO NEAREST VALVE.
- 1. PLASTIC FITTINGS TO BE SEALED WITH SEALANT 84456-01-000.

		COPYRIGHT 2011 WINNEBAGO INDUSTRIES, INC.
DTR	ORIG. DATE	
CHKR	ALL DIMENSIONS ARE IN MILLIMETERS	
P.E.		
M.E.	FIRST USED	
DSNR	12 R42JD	
UNSPECIFIED TOLERANCES ARE: WHOLE DIM (X) : 3 ONE-PLACE (X.X) : 1.5 TWO-PLACE (X.XX) : 0.50 ANGLE : 1°		MATERIAL:
THIRD ANGLE PROJECTION		
DO NOT SCALE DRAWING		REFER TO ES0018 FOR FASTENER TIGHTENING GUIDELINES
TITLE: WATER SYSTEM INSTL		
SHEET 1 OF 4	PART NO 176778	REV
REF:		1

FOR
WATER
CALLOUTS
SEE DWG NO
116230-01-000



FIRST USED	12 R42JD	
TITLE:	DO NOT SCALE DRAWING	
SHEET	2	PART NO 176778
REV		



TO ICEMAKER

1-2
1-1
15L 1-3

TU-5 250
15L V-17 15L 9
TU-5 400
15L

FAUCET 21S 21M
098419-01-000 (2)

BRACKET 178144-01-CHT

DETAIL K

E-37
E-37

TU10 120
TU-9 100
T-26
T-26

DETAIL K
(SHOWN W/OUT CABINETS)

SECTION H-H
(ROTATED)

SHOWER-HAND HELD
176668-01-CHT

233

N-1

780

298

BRACKET-SHOWER HEAD
143101-01-CHT
DROP ELL
135028-02-CHT
SPACER
130041-03-CHT
VACUUM BREAKER
176678-01-CHT

FAUCET-VALVE, SHOWER
144596-01-CHT
FAUCET-TRIM KIT
144596-02-CHT

VIEW F

DETAIL J
(SHOWN W/OUT CABINETS)

FAUCET 170451-01-CHT

A-11

TU-9 145
TU10 145
E-20

TU10 970

TU-9 970

FAUCET 170451-01-CHT

A-11

TU-9 165
TU10 165
T-20

TU-9 2660
TU10 2710
S-1
TU-9 1700
TU10 2945
S-1

SECTION Z-Z

TU-5 800

TU-5 425

116

FILTER KIT 160946-01-000

V-17

TU-5 300

FIRST USED	12 R42JD	
DO NOT SCALE DRAWING		
TITLE:	WATER SYSTEM INSTL	
SHEET 3	PART NO. 176778	REV

TO BREAKER-VACUUM

TO LAV FAUCET

COVER-VALVE,BYPASS
138618-03-CHT

SHOWN LINE UNDER FLOOR

SERVICE CTR ASM
163268-11-XXX

WATER CENTER ASM
157511-19-XXX

TO FURNACE-HYDRONIC

VIEW L

SECTION M-M

- HOSE-REEL,POWERED 142675-01-CHT
- BRACKET 145758-01-CHT
- RIVET 118626-01-CHT (4)
- SCREW G39-10-20U (2)

VIEW P
(SHOWN W/OUT BRACKET)

FIRST USED	12 R42JD		
TITLE:	DO NOT SCALE DRAWING		
TITLE:	WATER SYSTEM INSTL		
SHEET 4	PART NO	176778	REV