

- NOTES:
1. SLOPE OF HORIZONTAL PIPING TO BE MINIMUM OF 3 PER 305 mm.
 2. SLOPE OF TRAP ARM MUST BE 6 PER 305 mm.
 3. ALL PIPE AND FITTINGS TO BE ASSEMBLED WITH SOLVENT 004020-01-000 (USA), 004020-02-000 (CAN)
 4. USE SMOOTH PLUMBERS PUTTY 167459-01-000 TO SEAL STRAINER (0.2 PER STRAINER).
 5. SEAL AROUND SHOWER WITH SILICONE.
 6. VENT PIPE MUST PROJECT 51 MIN AND 64 MAX ABOVE ROOF FOR PROPER FIT AND FUNCTION. ADD S-1 (116666-01-CHT SEAL-VENT PIPE) AROUND PIPE ON ROOF BEFORE VENT CAP IS INSTALLED.
 7. SECURE VENT PIPE TO FLOOR WITH CLAMP 062401-02-000 (2), SCREW 000G67-10-12B (2), BRACKET 136878-01-CHT (2).
 8. SECURE DRAINAGE PIPES TO CABINET USING WIRE TIE 108046-02-000, AND SCREW 000G67-10-12B AT INTERVALS OF NOT OF NOT MORE THAN 4 FEET APART.
 9. SEE DRAWING 061607 FOR INSTALLATION OF GROMMETS.
 10. APPLY PRIMER 126427-02-000 AND CEMENT 126427-01-000 BETWEEN ELBOW AND FLEX PIPE.
 11. GLUE FITTING AFTER CABINET IS INSTALLED.
 12. REQUIRES 5 GALLONS RV ANTIFREEZE 182955-01-000 PER TOLIET. FOLLOW TECMA TOLIET WINTERIZATION PROCEDURE.

- 21S WASHER/DRYER STACKED
- 1B1 CODES/STANDARDS USA
- 265 CODES/STDS-CSA,CMVSS
- 21M WASHER/DRYER PREP

FOR DRAINAGE CALLOUTS SEE DWG NO 116229-01-000

		COPYRIGHT 2012 WINNEBAGO INDUSTRIES, INC.
DFT-ORIG	ORIG. DATE	
CHKR	ALL DIMENSIONS ARE IN MILLIMETERS	
P.E.		
M.E.	FIRST USED	
DSNR	12 P42E	
UNSPECIFIED TOLERANCES ARE:		MATERIAL:
WHOLE DIM (X)	: 3	
ONE-PLACE (X.X)	: 1.5	
TWO-PLACE (X.XX)	: 0.50	
ANGLE	: 1°	
THIRD ANGLE PROJECTION		
DO NOT SCALE DRAWING		REFER TO ES0018 FOR FASTENER TIGHTENING GUIDELINES
TITLE: DRAINAGE SYSTEM INSTL		
SHEET 1 OF 4	PART NO	178960
REF:	1	

SINK-GALLEY
173783-01-CHT
STRAINER
092303-01-000 (2)
NUT
130403-01-000
WASHER-RUBBER
127440-02-CHT
ANGLE-W/SLOTS
140002-01-CHT (10)

STRAP-CONDUIT
008406-01-000(2)

ELBOW
136111-01-000

WASTE ASM
SUPPLIED W/FAUCET

TOILET-STYLE II
160815-01-CHT

STRAP-CONDUIT,2"
008406-01-000

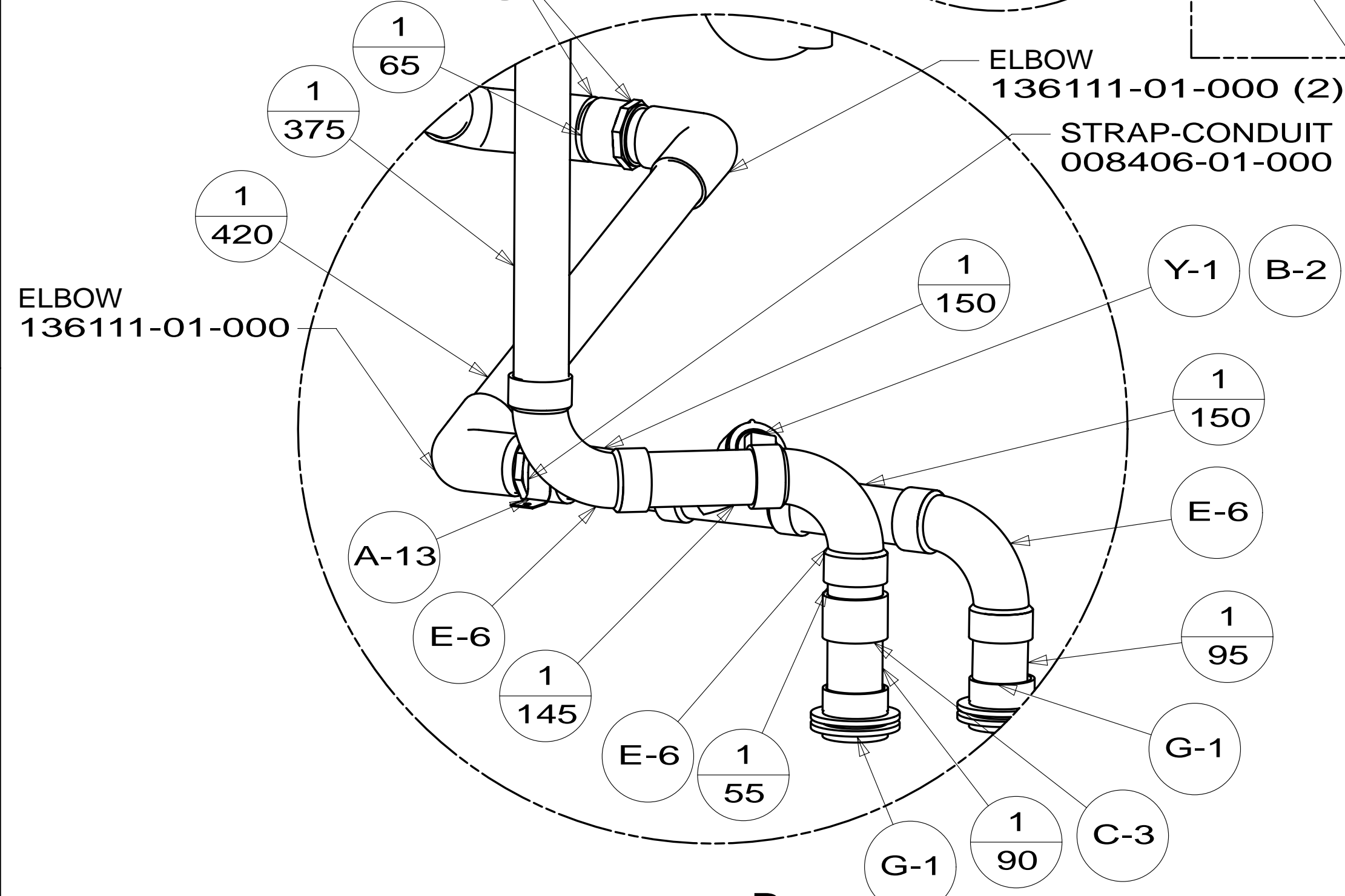
DETAIL D
(SEE SHT3)

STRAP-CONDUIT,2"
008406-01-000

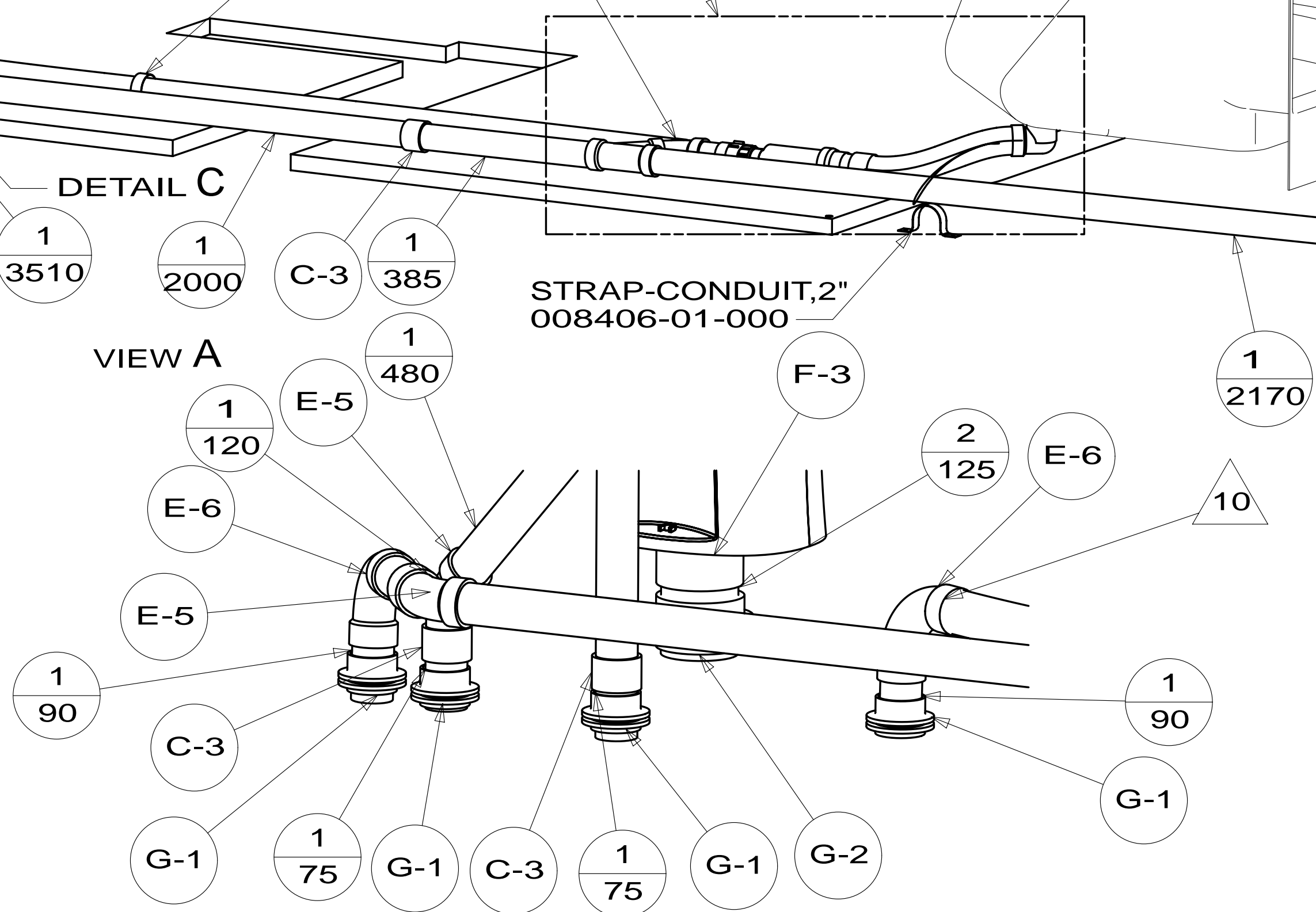
STRAP-CONDUIT,2"
008406-01-000

- 1B1 A-15
- 1B1 1/45
- 1B1 P-4
- 265 P-3
- 1/460
- 1/95
- E-6
- 1/100
- T-1
- 1/130
- A-13
- 1/765
- 1/65
- 1/375
- 1/420
- 1/150
- 1/150
- E-6
- 1/95
- 1/145
- E-6
- 1/55
- 1/90
- 1/90
- 1/75
- G-1
- C-3
- 1/75
- G-1
- G-2

- CP-2 6 7
- 1/500
- C-3
- 1/950
- P-1 1B1
- P-3 265
- A-15 1B1
- Y-1
- E-5
- 1/275
- 1/350
- E-1
- 1/120
- 1/365
- E-1
- E-1
- 1/3510
- 1/2000
- C-3
- 1/385
- 1/480
- E-5
- 1/120
- E-6
- E-5
- 1/90
- C-3
- G-1
- 1/75
- G-1
- G-1
- G-2

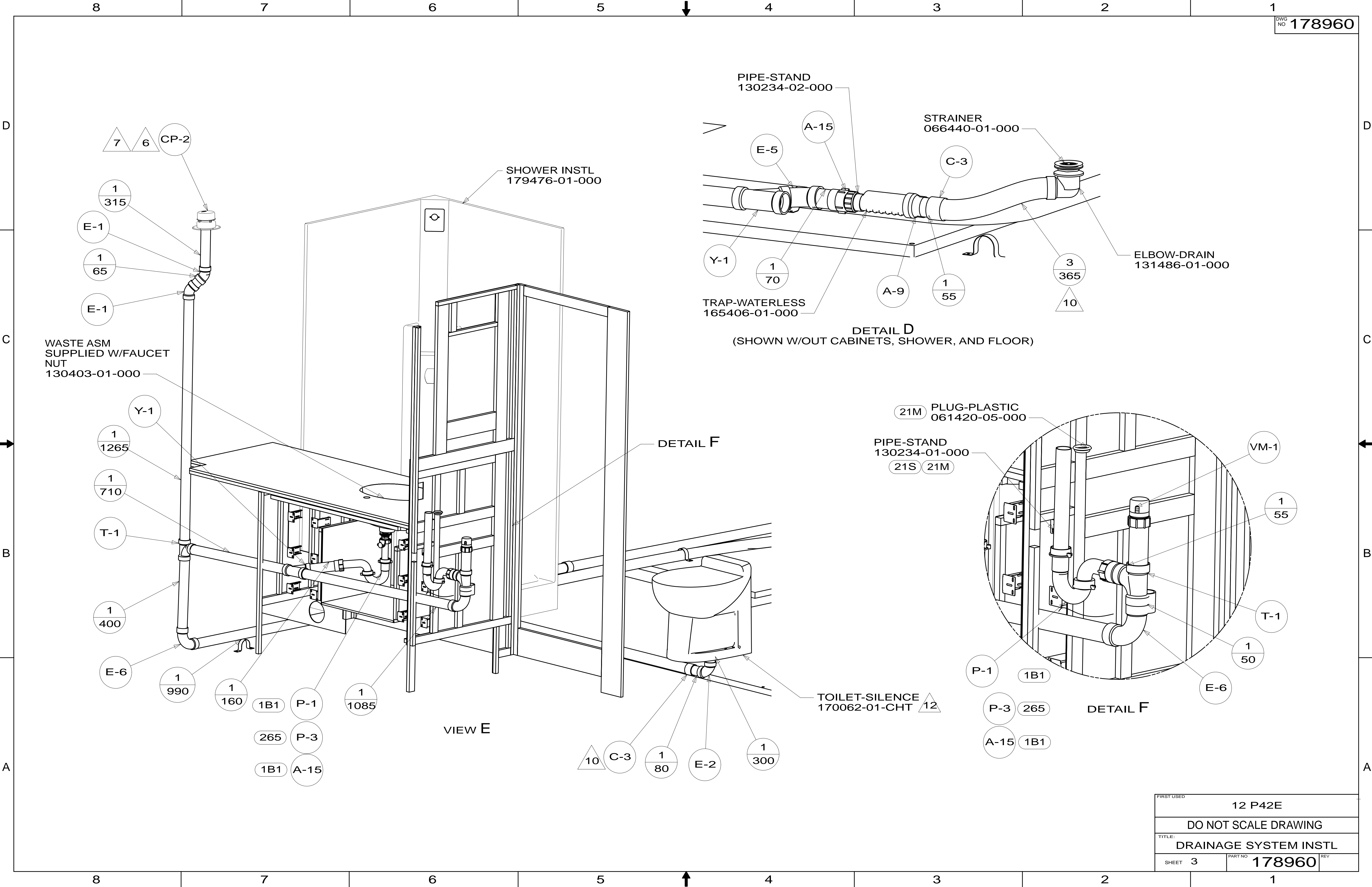


DETAIL B
(SHOWN W/OUT CABINETS AND FLOOR)



VIEW A
DETAIL C
(SHOWN W/OUT CABINETS AND FLOOR)

FIRST USED	12 P42E	
TITLE:	DO NOT SCALE DRAWING	
TITLE:	DRAINAGE SYSTEM INSTL	
SHEET 2	PART NO	178960
	REV	



WASTE ASM
SUPPLIED W/FAUCET
NUT
130403-01-000

SHOWER INSTL
179476-01-000

PIPE-STAND
130234-02-000

STRAINER
066440-01-000

ELBOW-DRAIN
131486-01-000

TRAP-WATERLESS
165406-01-000

DETAIL D
(SHOWN W/OUT CABINETS, SHOWER, AND FLOOR)

DETAIL F

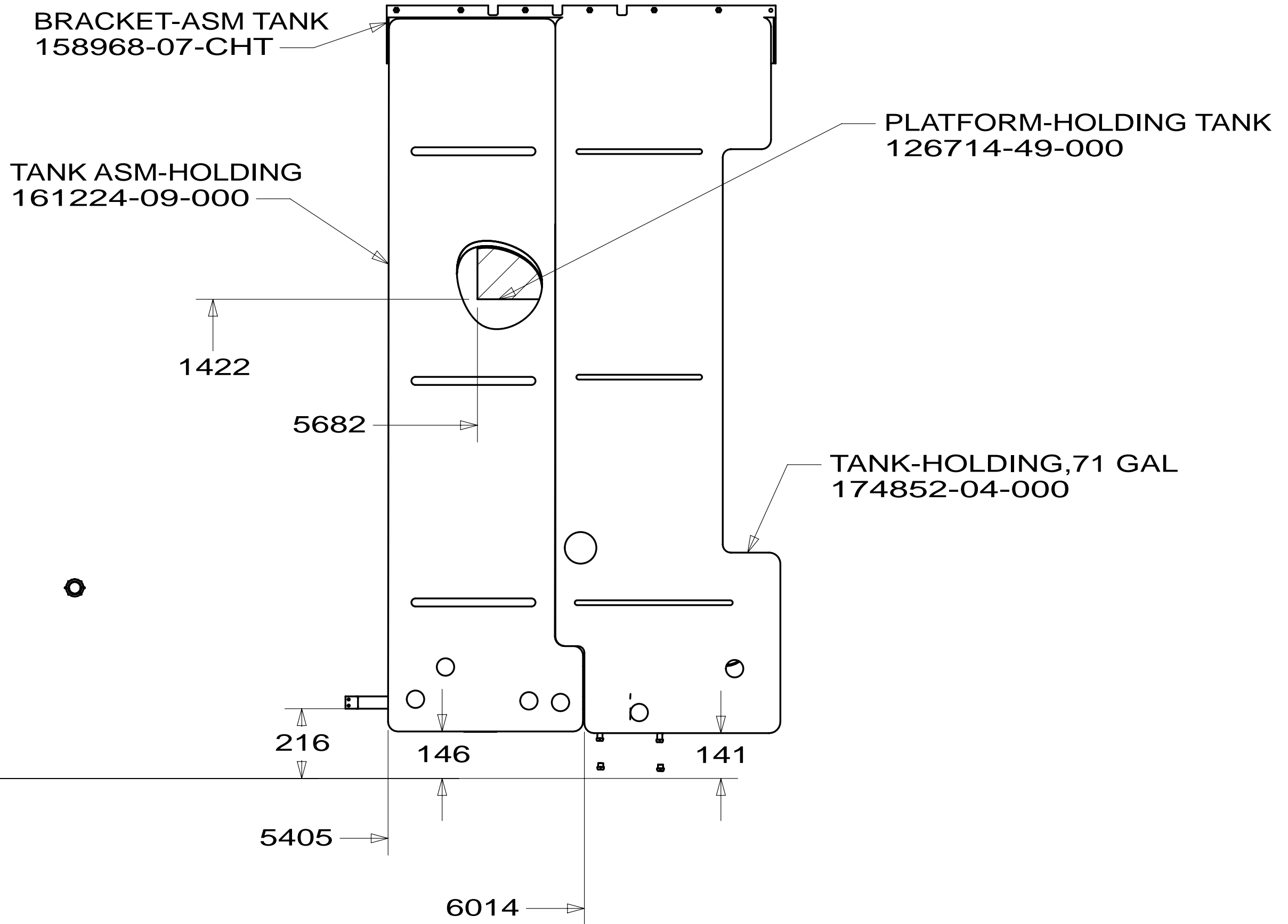
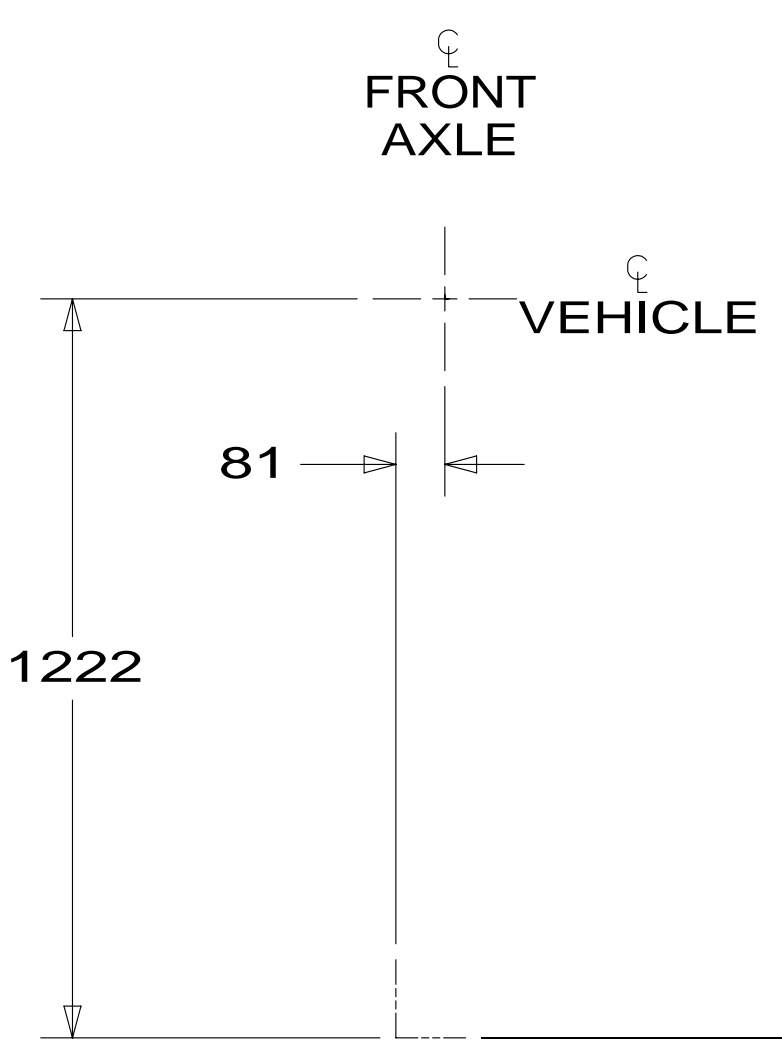
21M PLUG-PLASTIC
061420-05-000

PIPE-STAND
130234-01-000

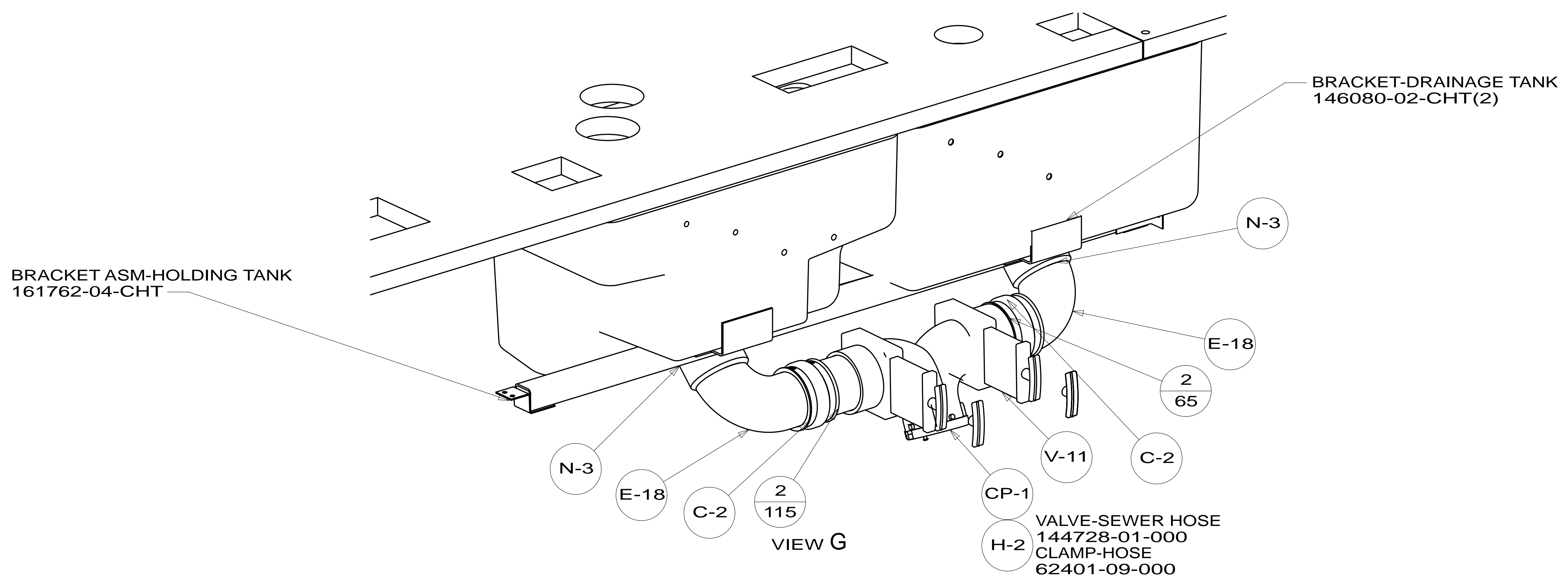
TOILET-SILENCE
170062-01-CHT 12

DETAIL F

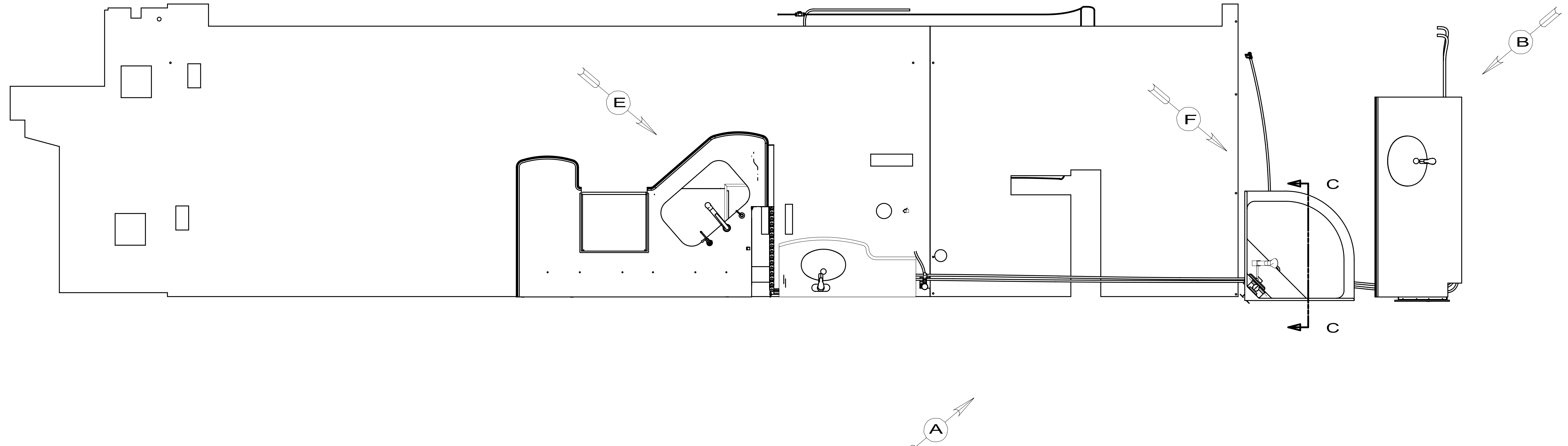
FIRST USED	12 P42E		
DO NOT SCALE DRAWING			
TITLE: DRAINAGE SYSTEM INSTL			
SHEET 3	PART NO	178960	REV



TOP VIEW SHOWING TANKS AND DRAINS



FIRST USED	12 P42E	
DO NOT SCALE DRAWING		
TITLE: DRAINAGE SYSTEM INSTL		
SHEET 4	PART NO 178960	REV



- NOTES:
8. VALVE MUST REMAIN OPEN AFTER WATER TEST.
 7. FLUSHING SYSTEM REQUIRES 125697-06-000 INSTRUCTION SHEET.
 - 6 LABEL HOT AND COLD SUPPLY TUBES AND TAPE FITTING TO TUBE BEFORE CABINET SET TO PREVENT MOVEMENT.
 - 5 ADD PIPE WRAP (LADDER SCRAP 110157-02-000) INSULATION.
 - 4 ADD TEFLON TAPE 010405-02-000.
 3. ALL TUBING TO BE SECURED AT 1200 INTERVALS MAXIMUM WITH CLAMP 010495-01-000 AND SCREW 000G67-10-12B OR EQUIVALENT.
 2. TUBING TO BE INSTALLED WITH SUFFICIENT SLOPE TO PROVIDE DRAINAGE TO NEAREST VALVE.
 1. PLASTIC FITTINGS TO BE SEALED WITH SEALANT 084456-01-000.

- 21S WASHER & DRYER-PAIR
- 21M WASHER/DRYER PREP

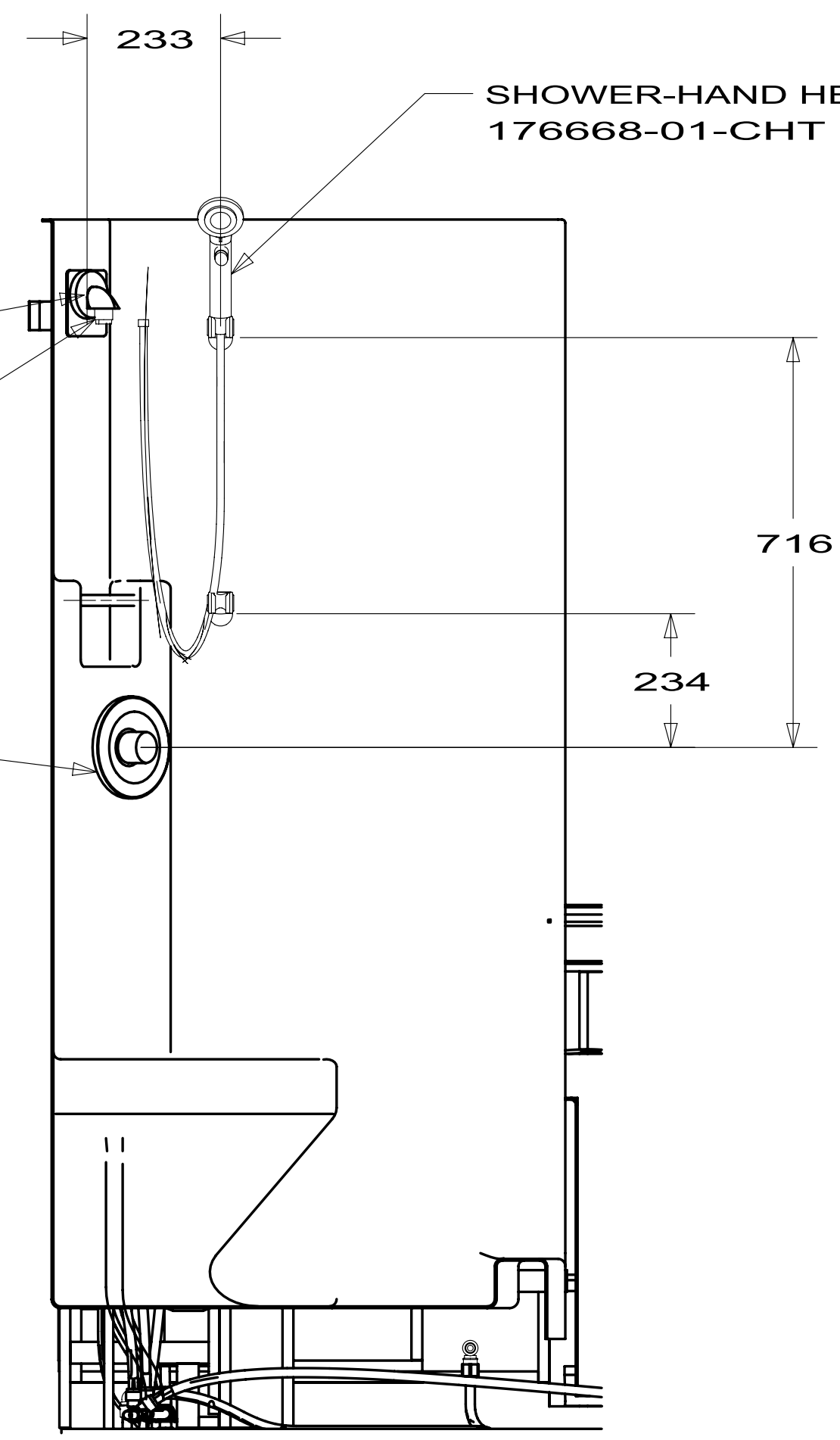
		COPYRIGHT 2012 WINNEBAGO INDUSTRIES, INC.
DTR	ORIG. DATE	
CHKR	ALL DIMENSIONS ARE IN MILLIMETERS	
P.E.		
M.E.	FIRST USED	
DSNR	12 P42E	
UNSPECIFIED TOLERANCES ARE:		MATERIAL:
WHOLE DIM (X)	: 3	
ONE-PLACE (X.X)	: 1.5	
TWO-PLACE (X.XX)	: 0.50	
ANGLE	: 1°	
THIRD ANGLE PROJECTION		
DO NOT SCALE DRAWING		REFER TO ES0018 FOR FASTENER TIGHTENING GUIDELINES
TITLE: WATER SYSTEM INSTL		
SHEET 1 OF 4	PART NO 178963	REV
REF:		1

FOR
WATER
CALLOUTS
SEE DWG NO
116230-01-000

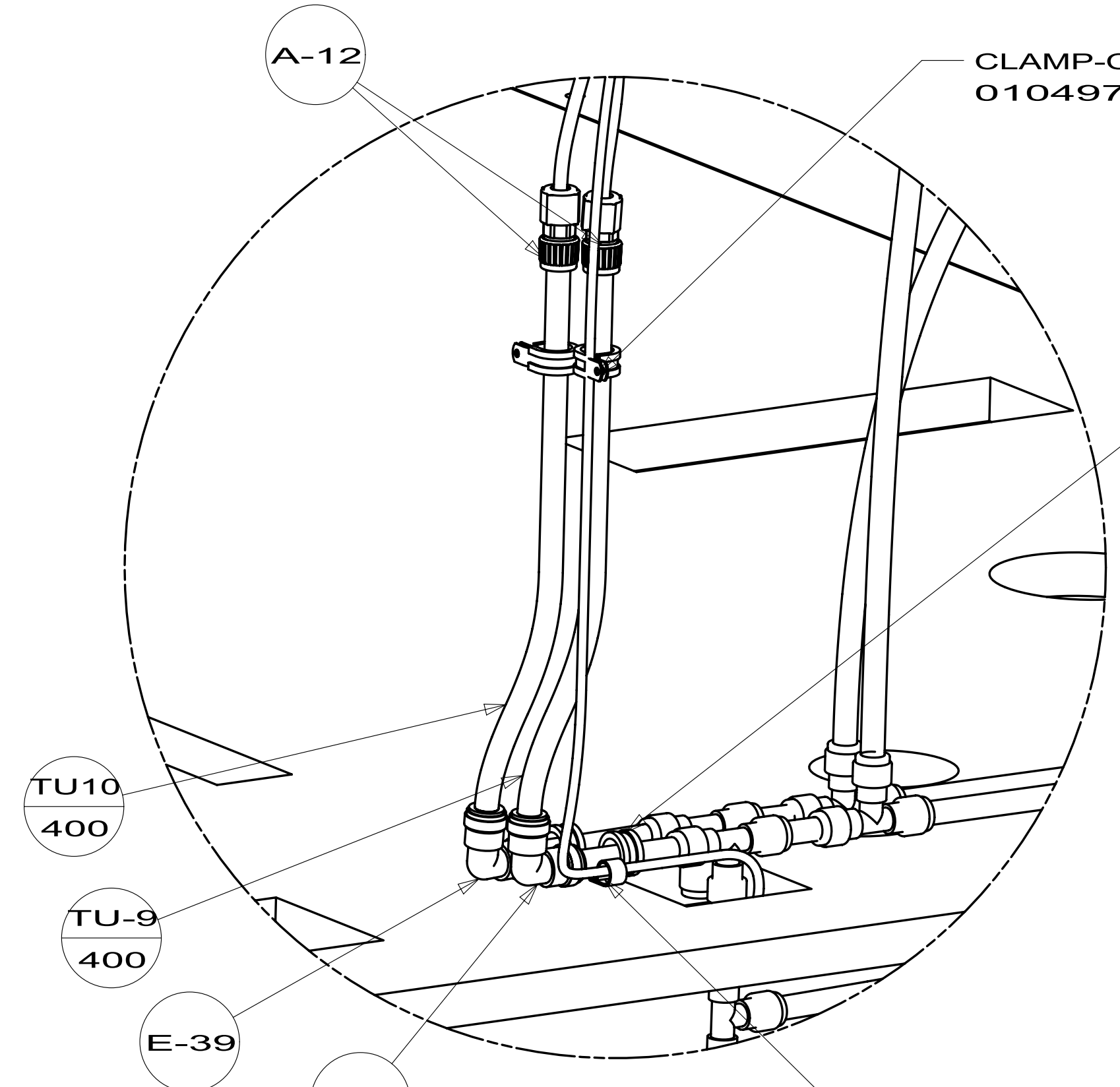
BRACKET-SHOWERHEAD
143101-01-CHT
DROP ELL
135028-02-CHT
SPACER
130041-03-CHT
PLATE-COVER
143218-01-CHT

VACUUM BREAKER
176678-01-CHT

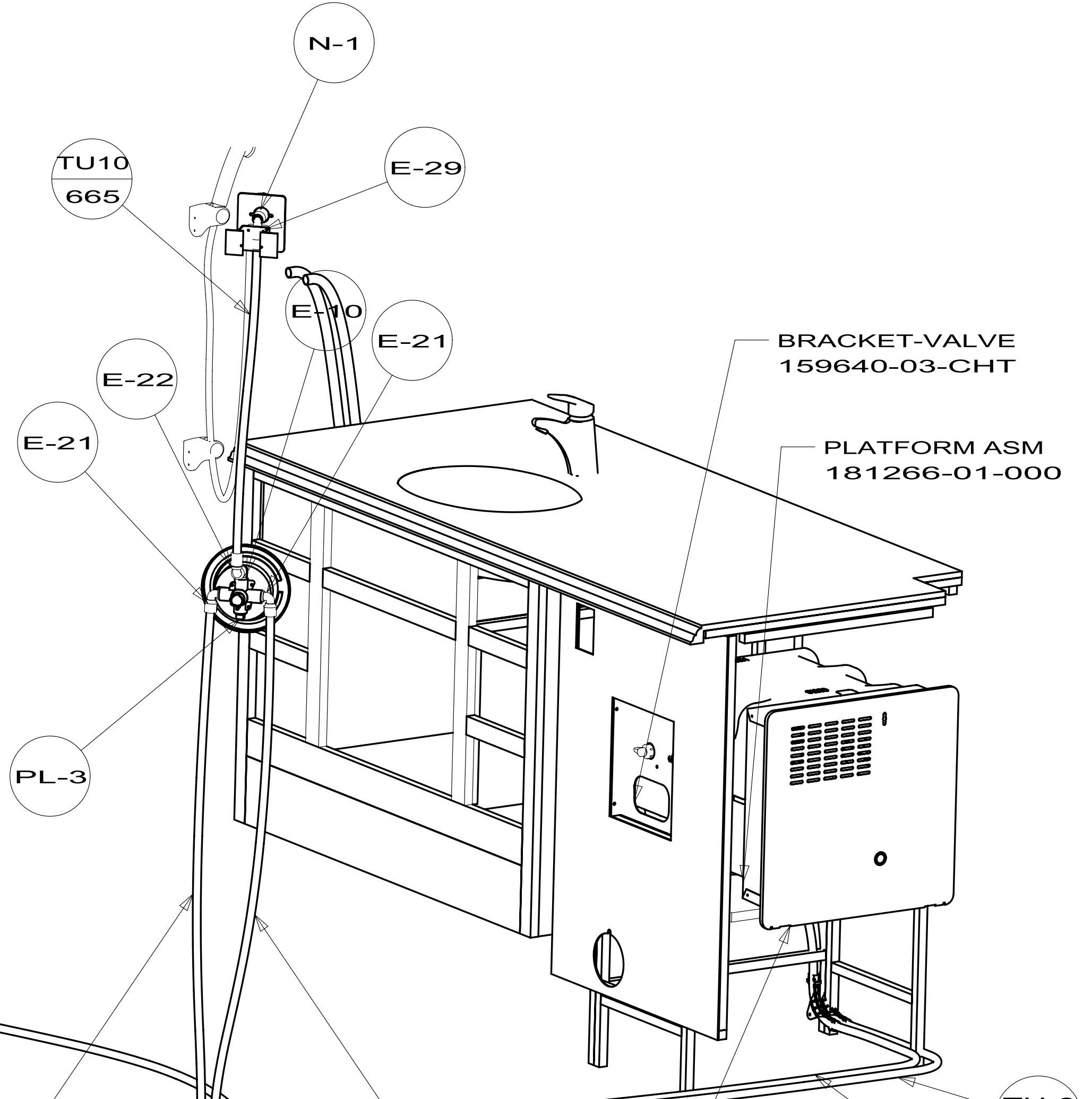
FAUCET-VALVE, SHOWER
144596-01-CHT
FAUCET-TRIM KIT
144596-02-CHT



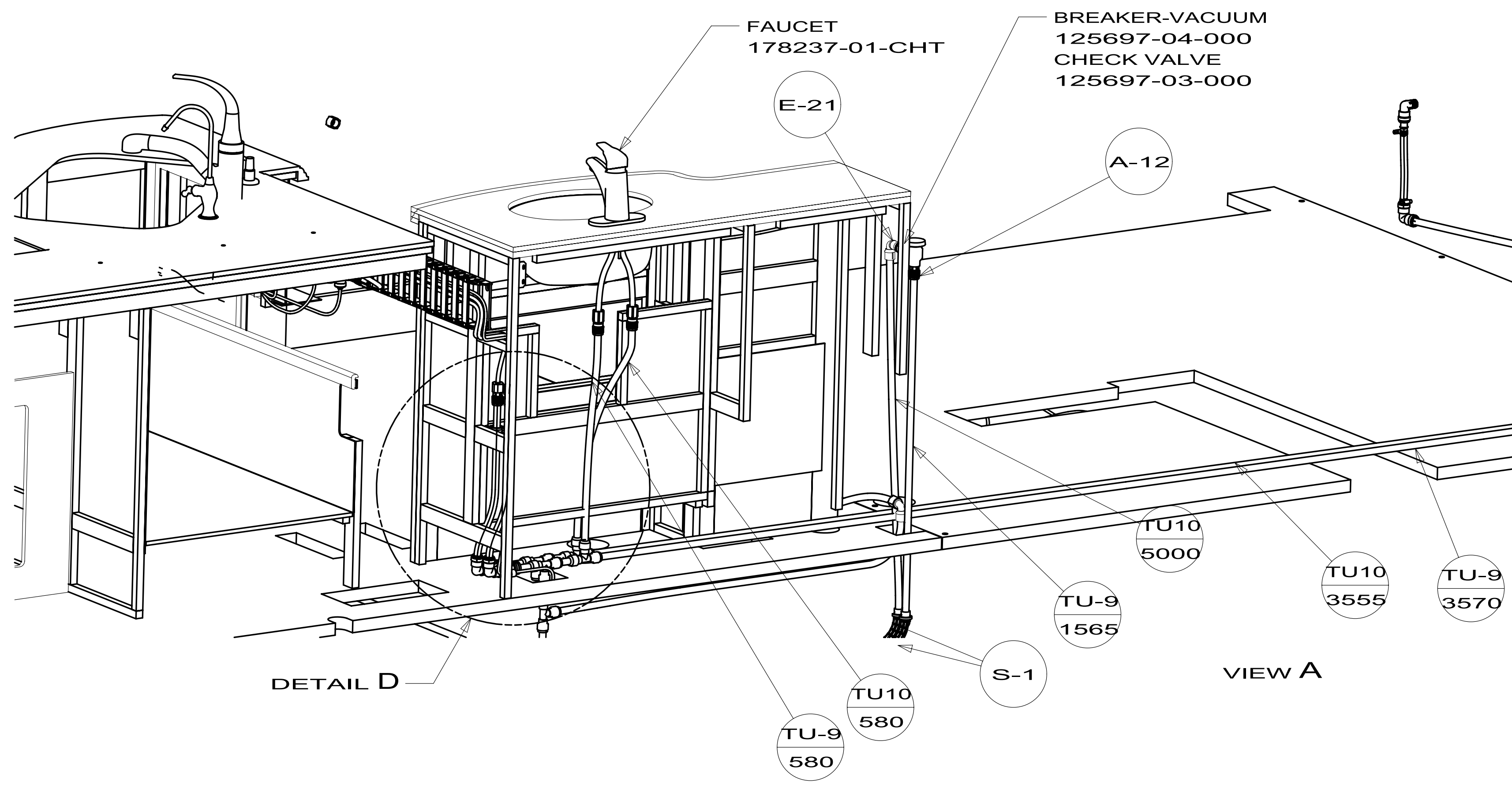
SECTION C-C
(SHOWN W/OUT CABINETS)



DETAIL D
(SHOWN W/OUT CABINETS)

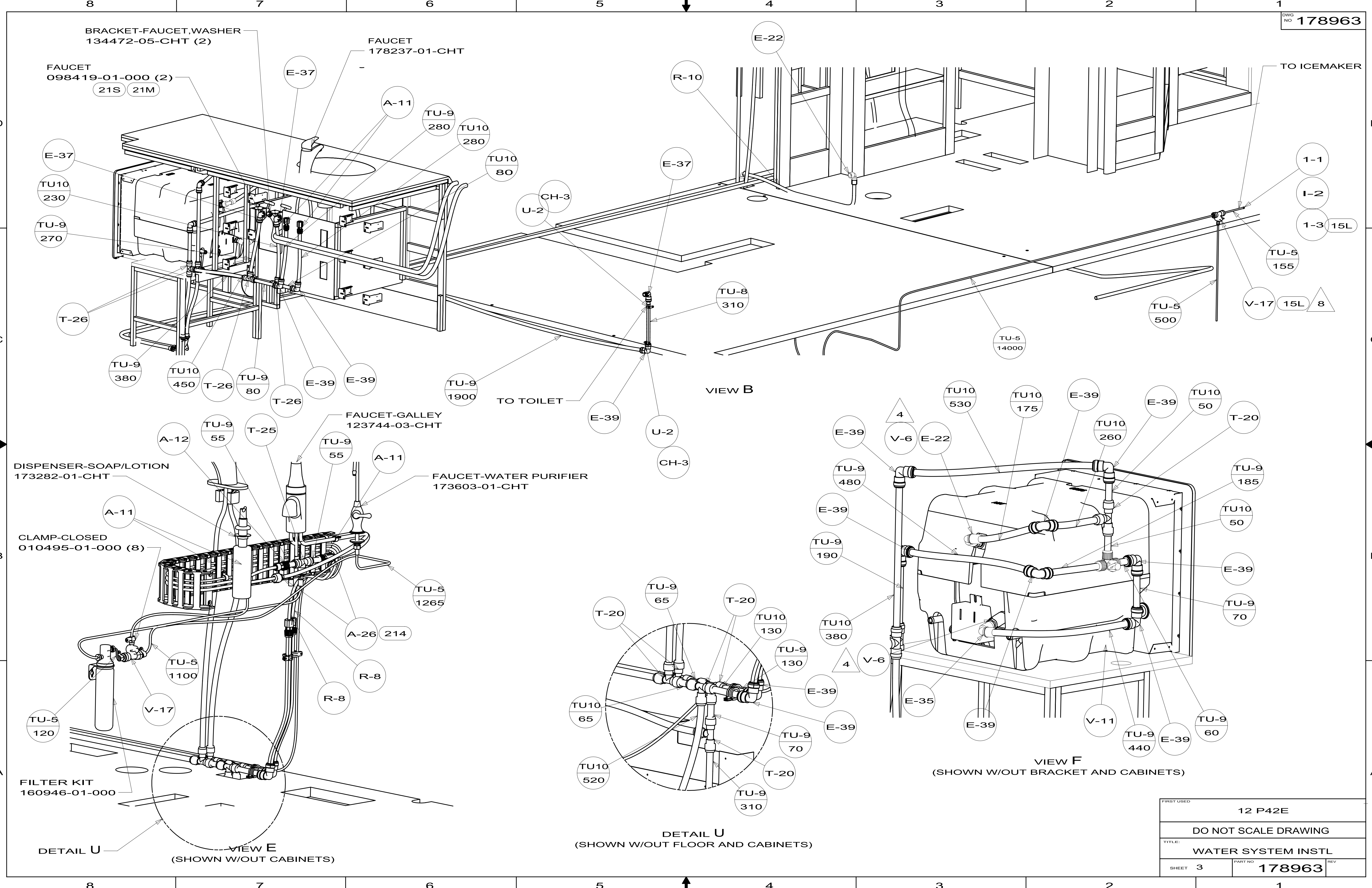


WATER HEATER
145541-01-000
CABLE ASM
076767-03-000
DOOR-WATER HEATER
125420-05-CHT
EXTR-STRAP
100885-51-034 (4)
SCREW
000G39-10-10U (16)



VIEW A

FIRST USED	12 P42E	
TITLE:	DO NOT SCALE DRAWING	
	WATER SYSTEM INSTL	
SHEET 2	PART NO. 178963	REV



BRACKET-FAUCET, WASHER
134472-05-CHT (2)

FAUCET
178237-01-CHT

FAUCET
098419-01-000 (2)
21S 21M

DISPENSER-SOAP/LOTION
173282-01-CHT

CLAMP-CLOSED
010495-01-000 (8)

FAUCET-GALLEY
123744-03-CHT

FAUCET-WATER PURIFIER
173603-01-CHT

FILTER KIT
160946-01-000

VIEW E
(SHOWN W/OUT CABINETS)

DETAIL U
(SHOWN W/OUT FLOOR AND CABINETS)

VIEW F
(SHOWN W/OUT BRACKET AND CABINETS)

VIEW B

FIRST USED	12 P42E	
DO NOT SCALE DRAWING		
TITLE:	WATER SYSTEM INSTL	
SHEET 3	PART NO. 178963	REV

TO WATER TANK
(SEE FRAME ASM-CHASSIS
FOR WATER TANK INSTL)

COVER-VALVE,BYPASS
138618-03-CHT

SHOWING LINES UNDER FLOOR

WATER CENTER ASM
157511-21-XXX

SERVICE CTR ASM
163268-16-XXX

VIEW G
(SHOWN W/OUT BRACKET)

VIEW L

FIRST USED	12 P42E		
TITLE:	DO NOT SCALE DRAWING		
	WATER SYSTEM INSTL		
SHEET 4	PART NO	178963	REV