

- 265 CODES/STANDARDS-CSA/CMVSS
- 1B1 CODES/STANDARDS USA
- 1D3 ENTERTAIN CENTR/EXT TV-DVD
- 299 ENTERTAIN CENTER EXT.W/O
- 21M WASHER/DRYER PREP
- 54E WASHER/DRYER_COMBO

- 11 USE SMOOTH PLUMBERS PUTTY 167459-01-000 TO SEAL STRAINER (0.2 PER STRAINER).
- 10 ATTACH TANK BRACKET TO RISER.
- 9 APPLY PRIMER 126427-02-000 AND CEMENT 126427-01-000 BETWEEN ELBOW AND FLEX PIPE.
- 8. SECURE DRAINAGE PIPES TO CABINET USING WIRE TIE 108046-02-000, AND SCREW 000G67-10-12B AT INTERVALS OF NOT OF NOT MORE THAN 4 FEET APART.
- 7 SECURE VENT PIPE TO FLOOR WITH CLAMP 062401-02-000 (2),SCREW 000G67-10-12B (2), BRACKET 136878-01-CHT (2).
- 6 VENT PIPE MUST PROJECT 51 MIN AND 64 MAX ABOVE ROOF FOR PROPER FIT AND FUNCTION.
- 5. SEAL AROUND SHOWER WITH SILICONE.
- 4. DO NOT ATTACH ANY OTHER SYSTEM TO PIPE-FLEX 126426-01.
- 3. ALL PIPE AND FITTINGS TO BE ASSEMBLED WITH SOLVENT 004020-01-000 (USA), 004020-02-000 (CAN)
- 2. SLOPE OF TRAP ARM MUST BE 6 PER 305 mm.
- 1. SLOPE OF HORIZONTAL PIPING TO BE MINIMUM OF 3 PER 305 mm.

		COPYRIGHT 2011 WINNEBAGO INDUSTRIES, INC.
DTR	ORIG. DATE	
CHKR	ALL DIMENSIONS ARE IN MILLIMETERS	
P.E.		
M.E.	FIRST USED	
DSNR	12 P36M	
UNSPECIFIED TOLERANCES ARE:		MATERIAL:
WHOLE DIM (X)	: 3	
ONE-PLACE (X.X)	: 1.5	
TWO-PLACE (X.XX)	: 0.50	
ANGLE	: 1°	
THIRD ANGLE PROJECTION		
DO NOT SCALE DRAWING		REFER TO ES0018 FOR FASTENER TIGHTENING GUIDELINES
TITLE: DRAINAGE SYSTEM INSTL		
SHEET 1 OF 4	PART NO 177110	REV
REF:		1

FOR
DRAINAGE
CALLOUTS
SEE DWG NO
116229-01-000

54E 21M PIPE-STAND 130234-01-000
21M PLUG-PLASTIC 061420-12-000

1B1 P-1
265 P-3
1B1 A-15
1 240 265
1 140 1B1

SINK-SST, DBL 173783-01-CHT
STRAINER 092303-01-000 (2) 9
SEAL (A/R) 127440-02-CHT (2)
WASHER 140002-01-CHT (10)

STRAP-CONDUIT, 2" 008406-01-000

STRAP-CONDUIT, 2" 008406-01-000 (5)

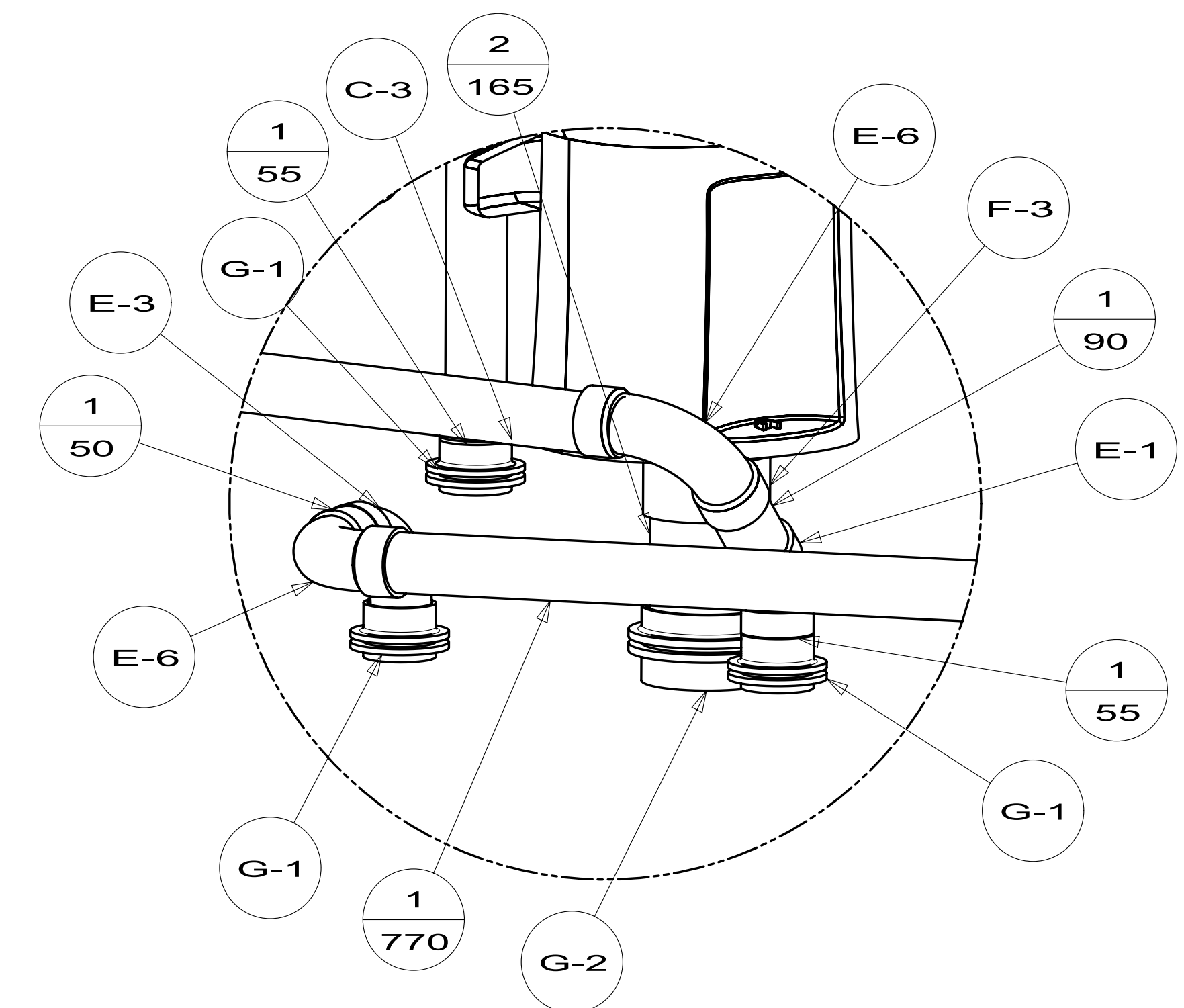
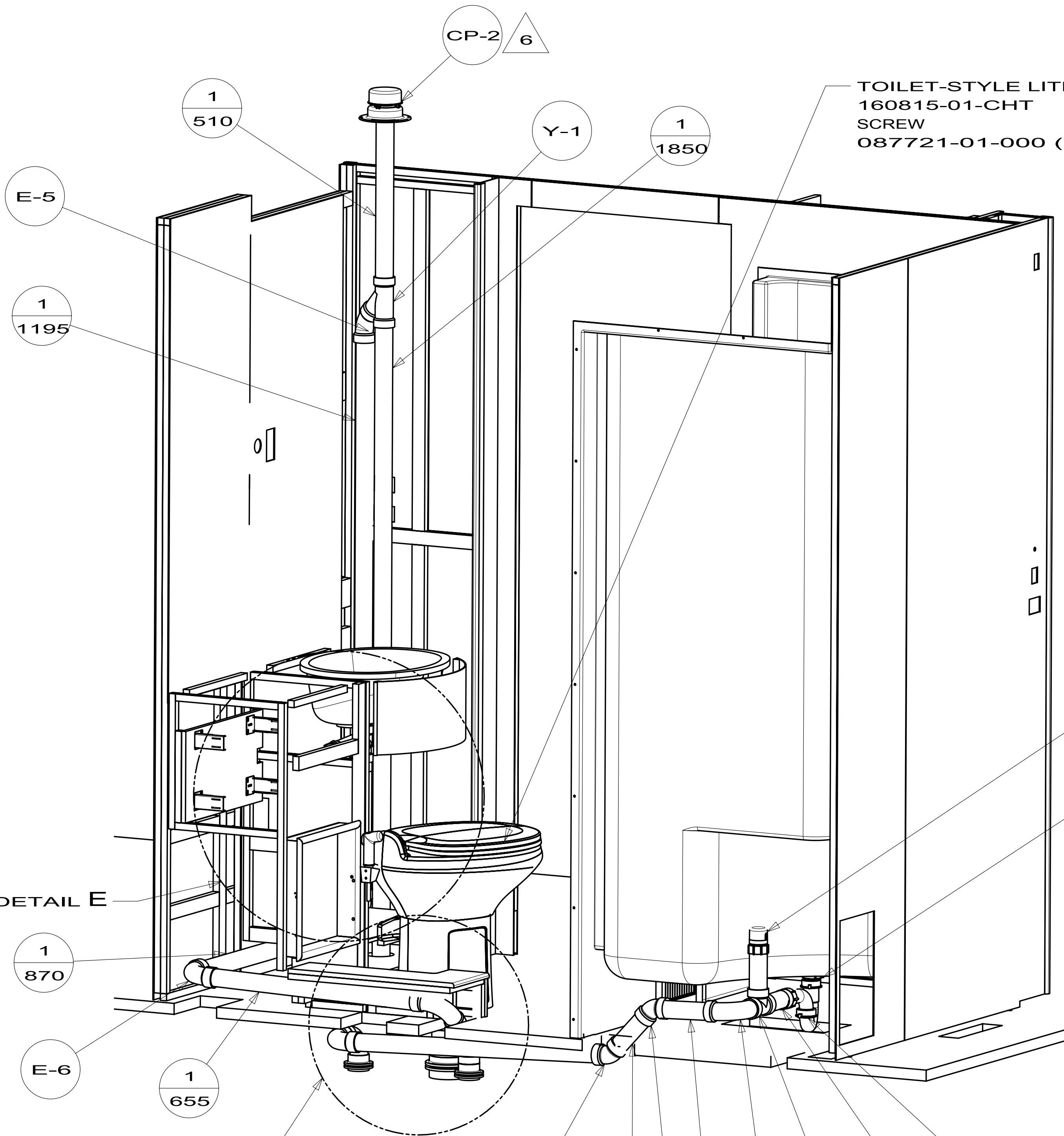
ELBOW 136111-01-000

ELBOW 136111-01-000

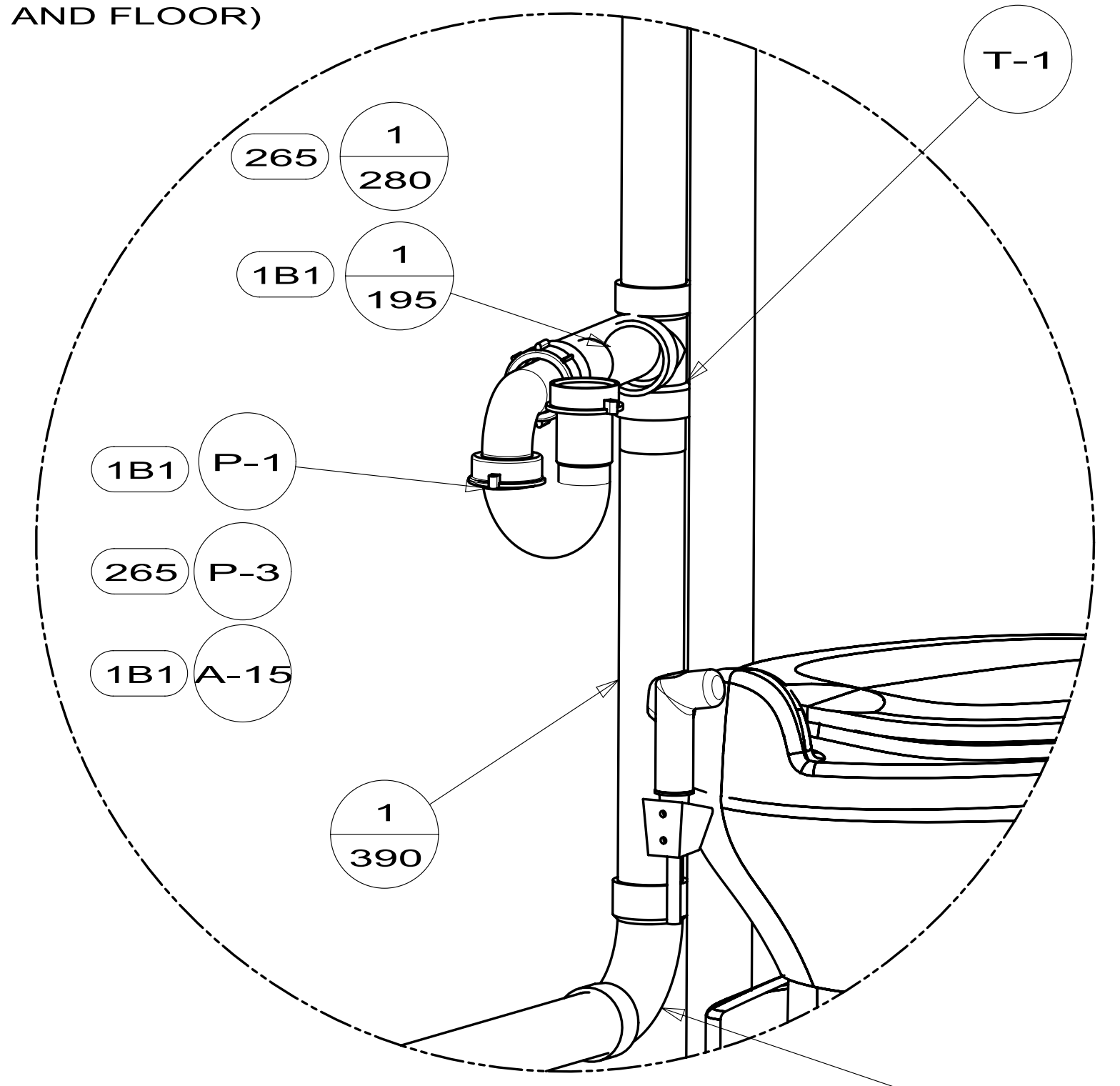
FITTING-BULKHEAD 136656-01-CHT

DETAIL C (SHOWN W/OUT CABINETS AND FLOOR)

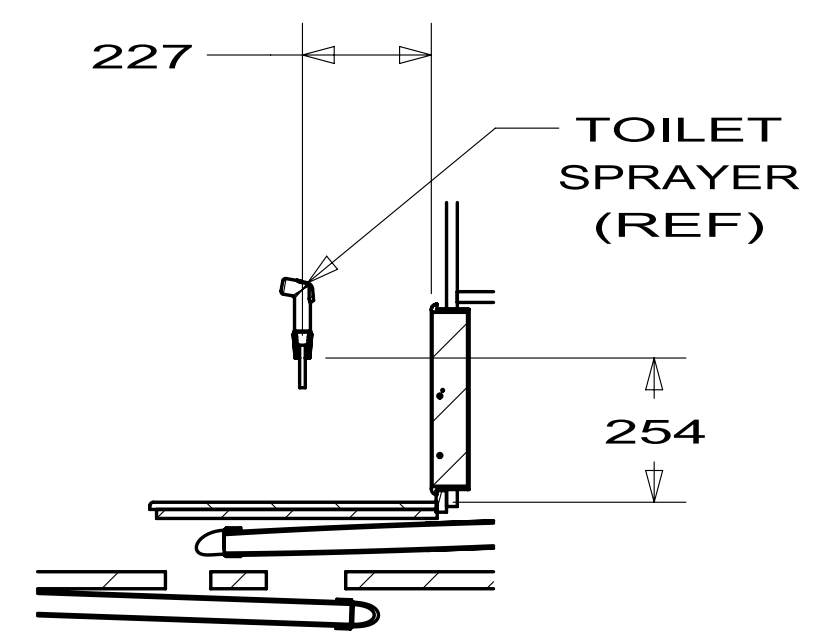
FIRST USED	12 P36M	
TITLE:	DRAINAGE SYSTEM INSTL	
SHEET 2	PART NO 177110	REV



DETAIL D
(SHOWN W/OUT CABINETS AND FLOOR)

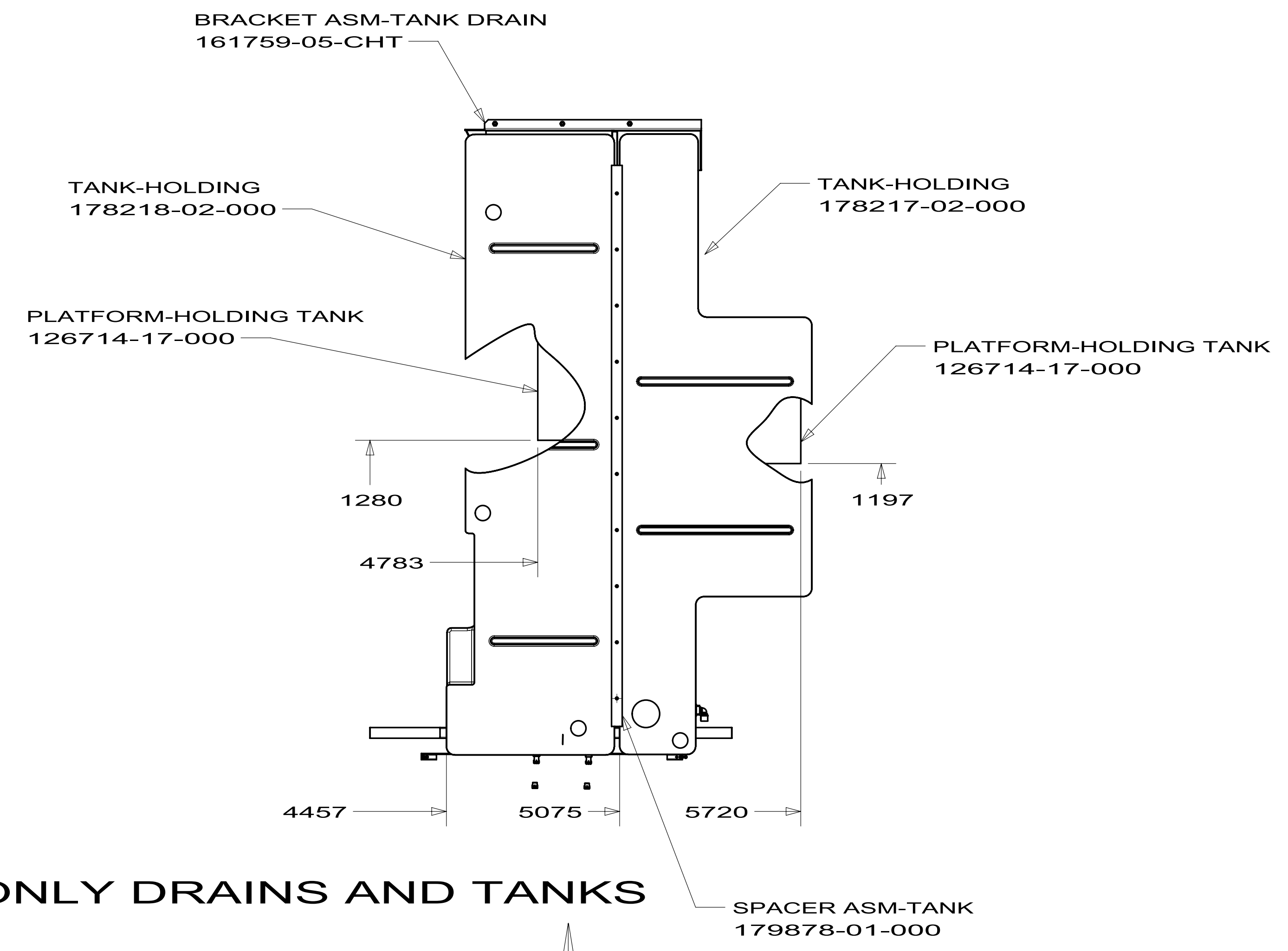
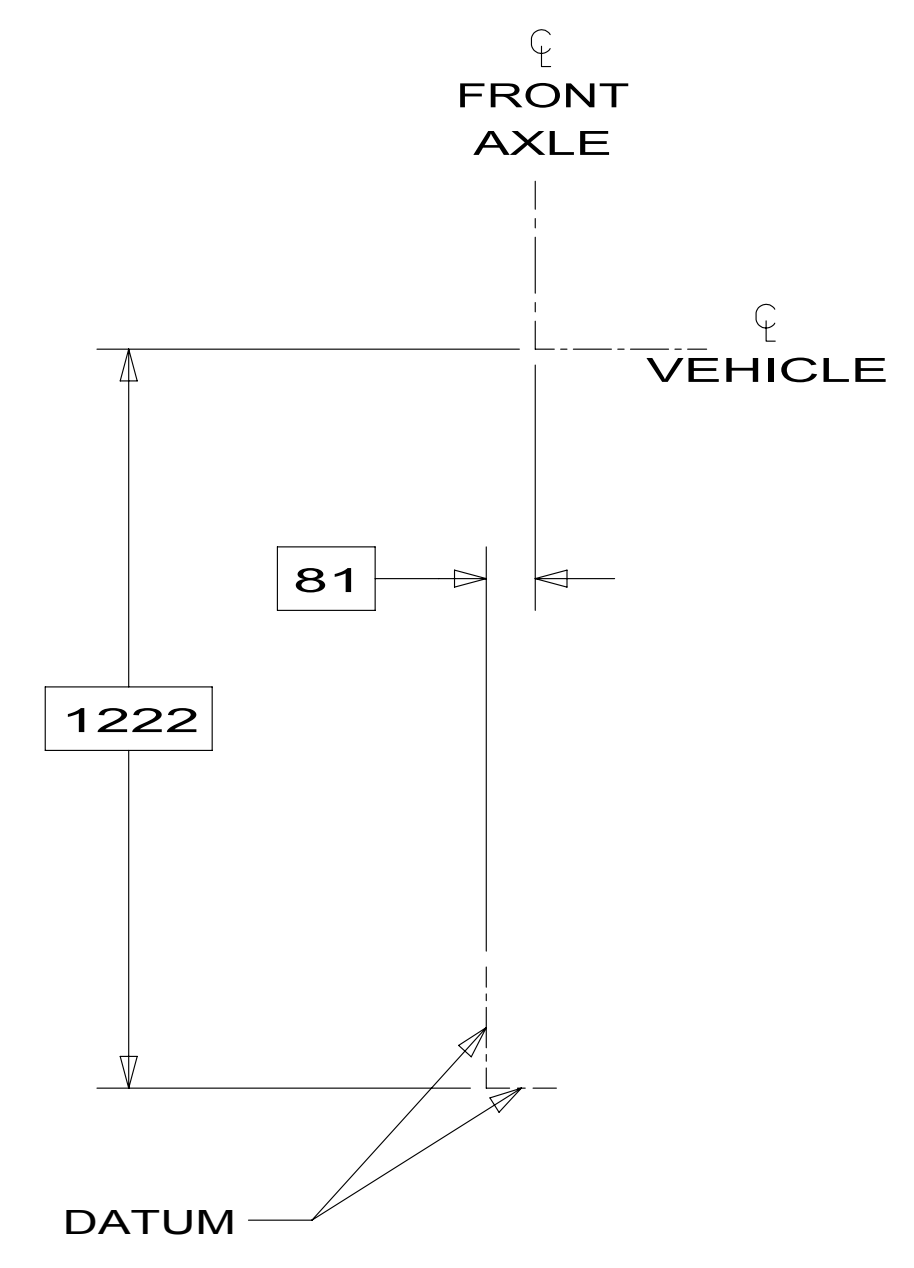


DETAIL E
(SHOWN W/OUT CABINETS AND FLOOR)

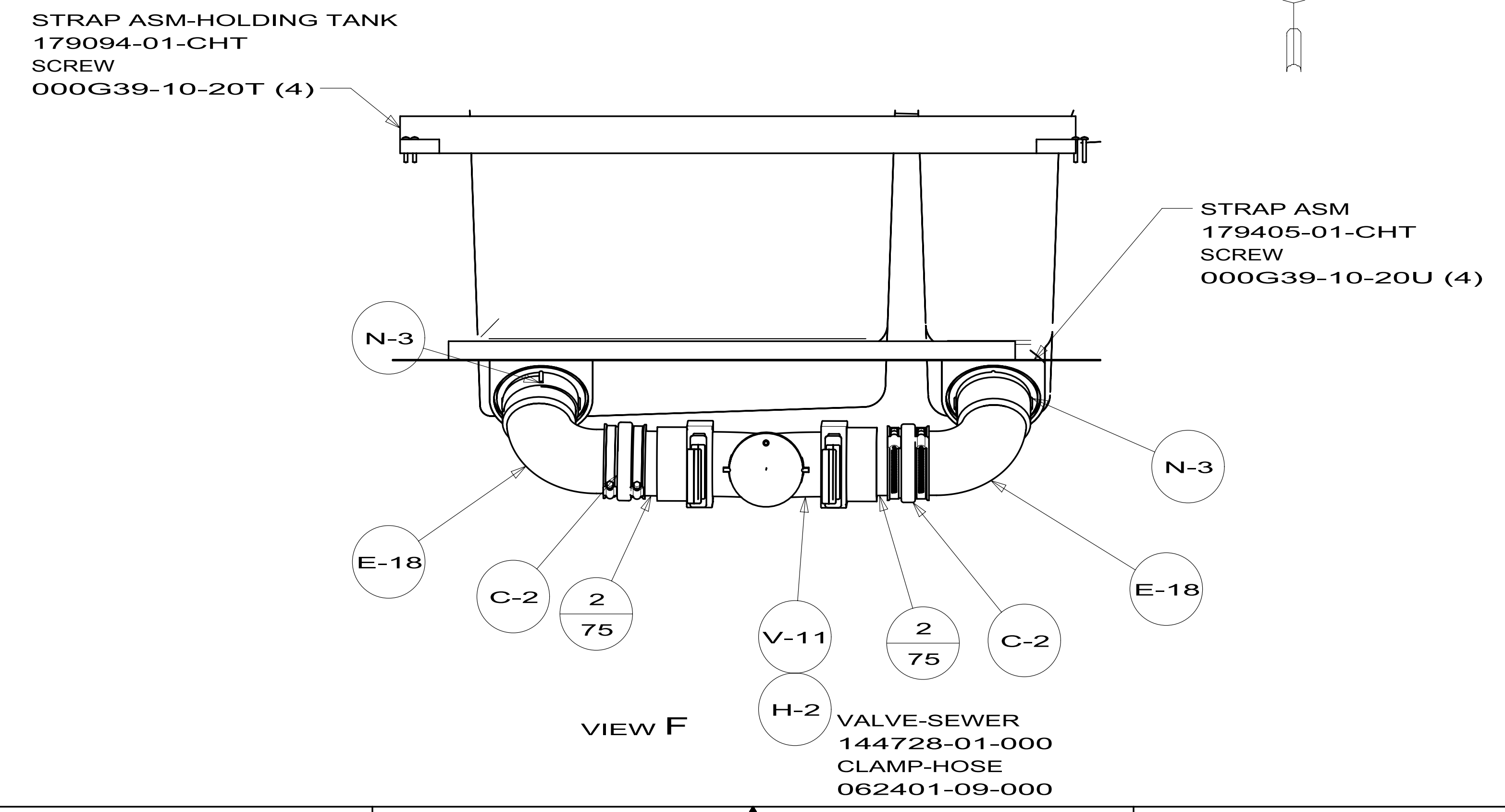


SECTION G-G
(ROTATED)

FIRST USED	12 P36M		
TITLE:	DO NOT SCALE DRAWING		
TITLE:	DRAINAGE SYSTEM INSTL		
SHEET 3	PART NO	177110	REV

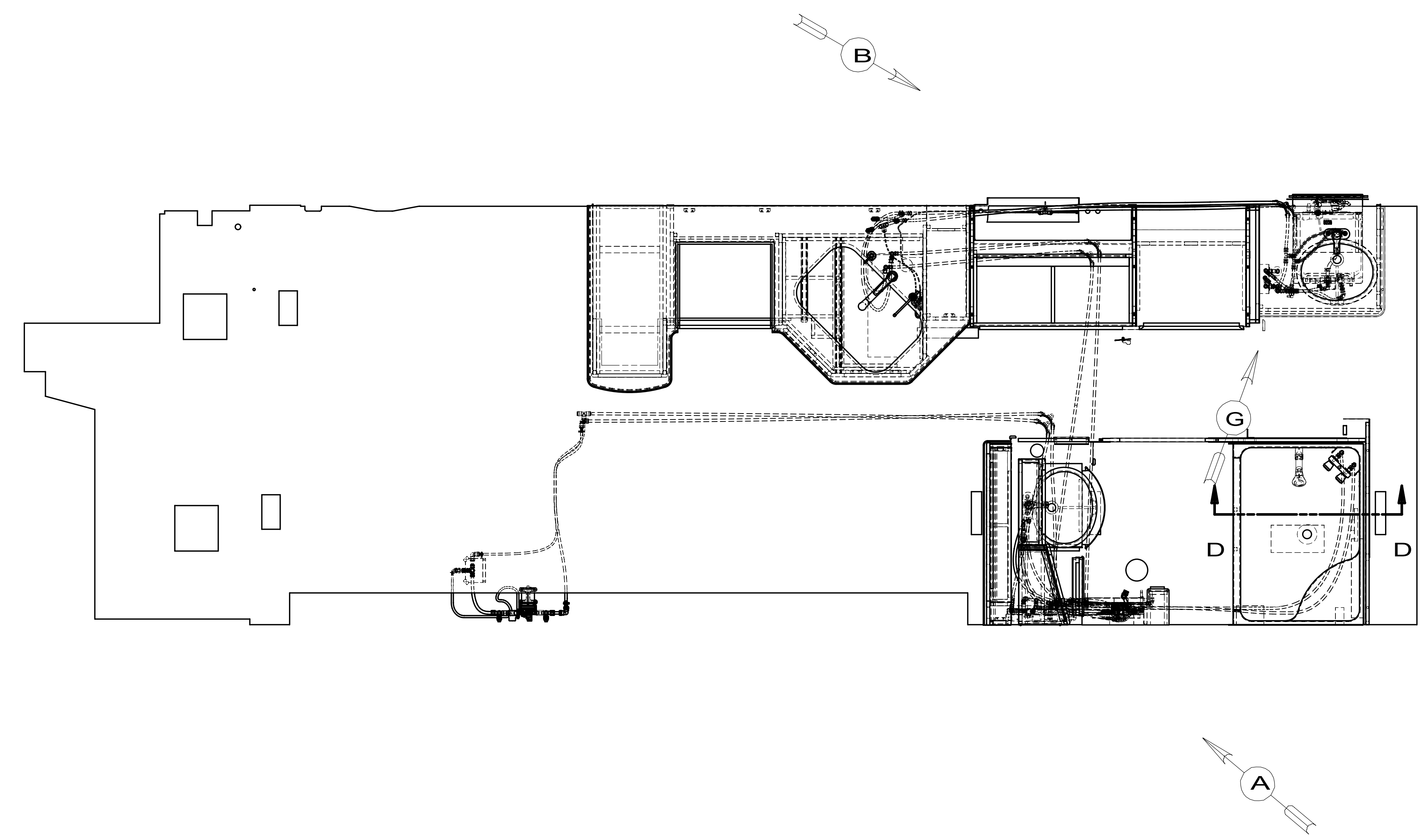


TOP VIEW SHOWING ONLY DRAINS AND TANKS



FIRST USED	12 P36M
DO NOT SCALE DRAWING	
TITLE: DRAINAGE SYSTEM INSTL	
SHEET 4	PART NO 177110
REV	

K	S2C3	REMOVE FAUCET 167738-03, COVER 166569-01(4)	07-11-11	9019-0428
L	---	SCREWS 000G37-08-129(4)		
		SAV #1225	7-21-11	1600-5281

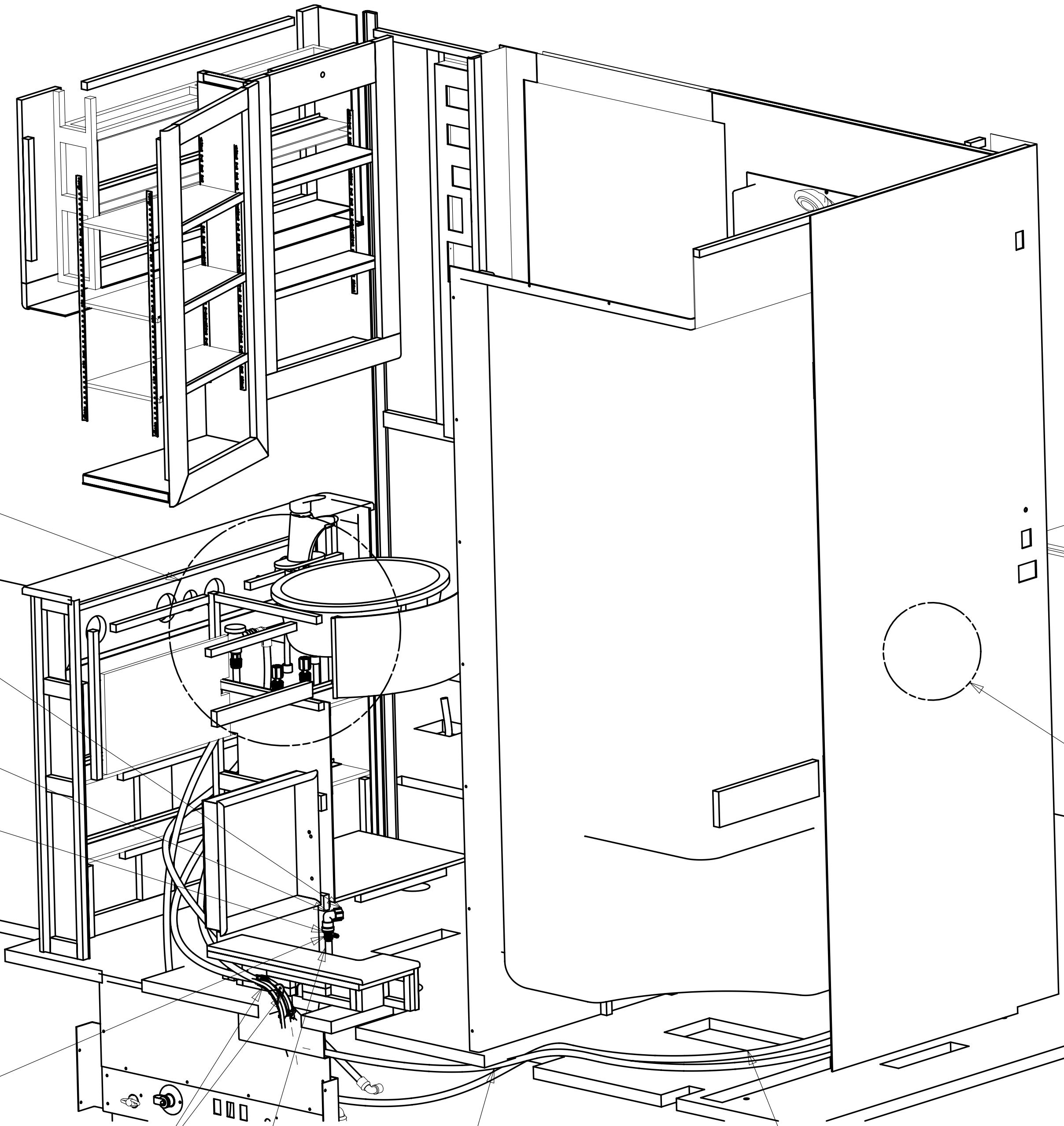


- NOTES:
1. PLASTIC FITTINGS TO BE SEALED WITH SEALANT 084456-01-000.
 2. TUBING TO BE INSTALLED WITH SUFFICIENT SLOPE TO PROVIDE DRAINAGE TO NEAREST VALVE.
 3. ALL TUBING TO BE SECURED AT 1200 INTERVALS MAXIMUM WITH CLAMP 010495-01-000 AND SCREW 000G67-10-12B OR EQUIVALENT.
 4. ADD TEFLON TAPE 010405-01-000.
 5. ADD TEFLON TAPE 010405-02-000.
 6. CLAMP ICEMAKER LINE TO SIDEWALL, AWAY FROM BURNER BOX ON REFRIGERATOR.
 7. WIRE TIE WATER LINES W/FLEXIBLE DRAIN LINE.
 8. VALVE MUST REMAIN OPEN AFTER WATER TEST.
 9. FAUCET TO BE TURNED SO SHOWER CONNECTION IS FACING UP. REVERSE H/C CAPS.
 10. INSTALL FAUCET WITHOUT BASE PLATE.

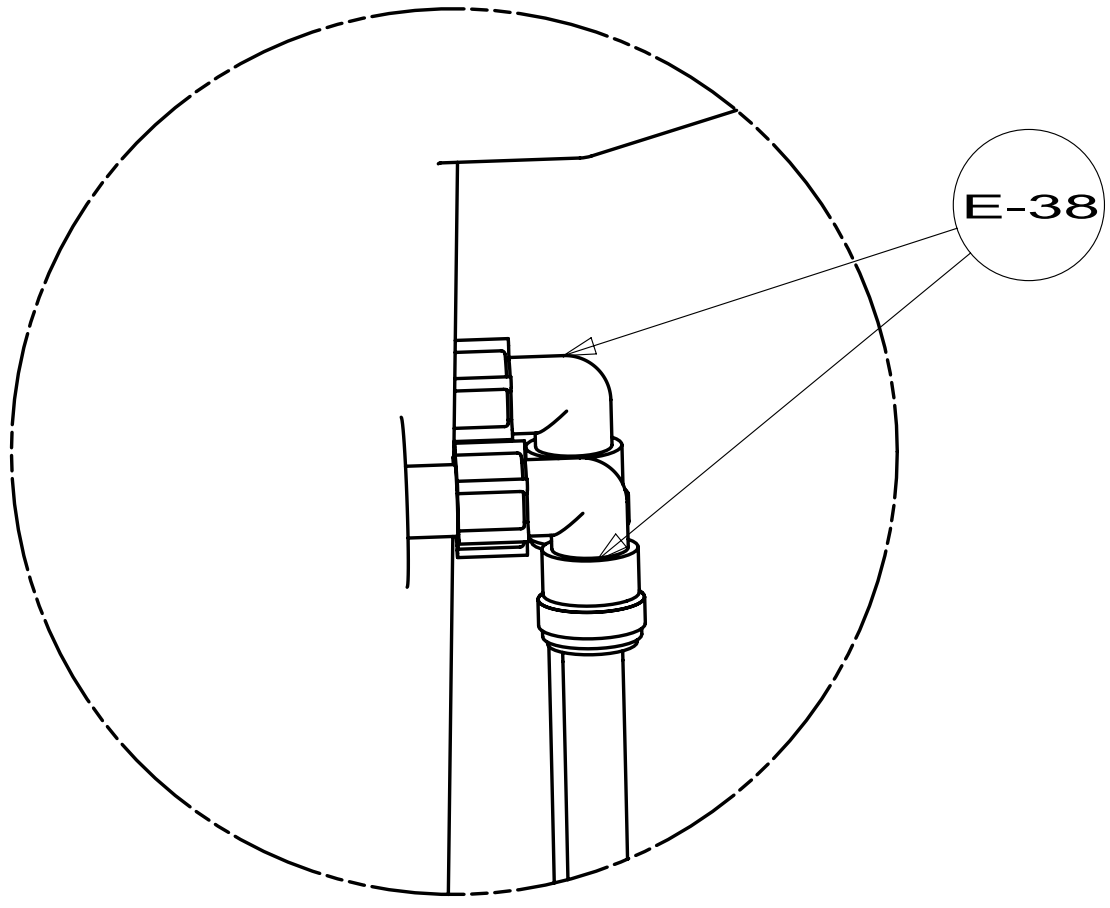
- (15L) REFR/FRZR 2DOOR RESIDENTIAL
- (79W) REFRIGERATOR-4 DOOR
- (WIN) WINNEBAGO ONLY
- (ITA) ITASCA ONLY

		COPYRIGHT 2012 WINNEBAGO INDUSTRIES, INC.
DTR	ORIG. DATE	
CHKR	ALL DIMENSIONS ARE IN MILLIMETERS	
P.E.		
M.E.	FIRST USED	
DSNR	12 P36M	
UNSPECIFIED TOLERANCES ARE:		
WHOLE DIM (X)	: 3	MATERIAL:
ONE-PLACE (X.X)	: 1.5	
TWO-PLACE (X.XX)	: 0.50	
ANGLE	: 1°	
THIRD ANGLE PROJECTION		
DO NOT SCALE DRAWING		REFER TO ES0018 FOR FASTENER TIGHTENING GUIDELINES
TITLE: WATER SYSTEM INSTL		
SHEET 1 OF 5	PART NO 177115	REV
REF:	1	

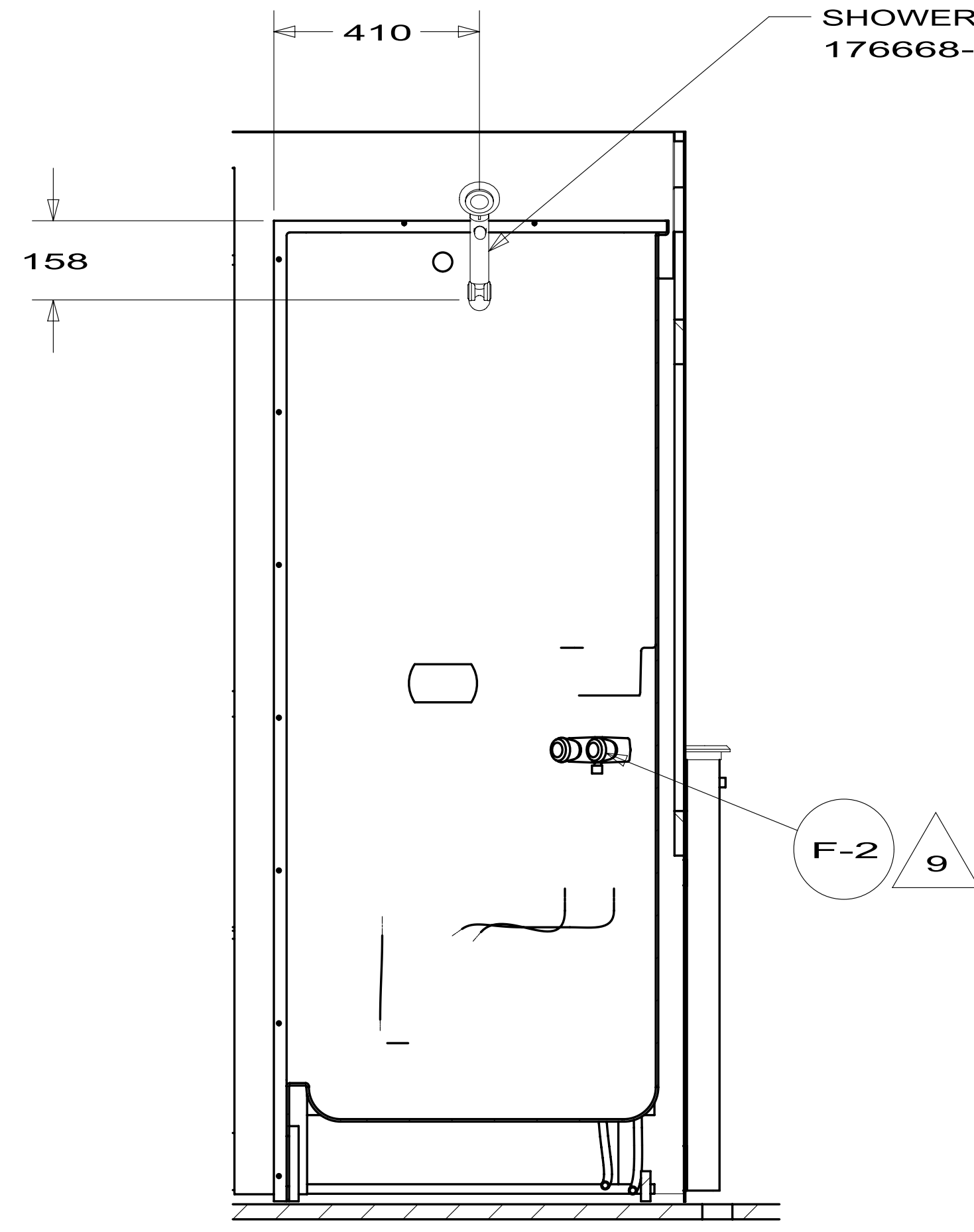
FOR WATER CALLOUTS SEE DWG NO 116230-01-000



VIEW A

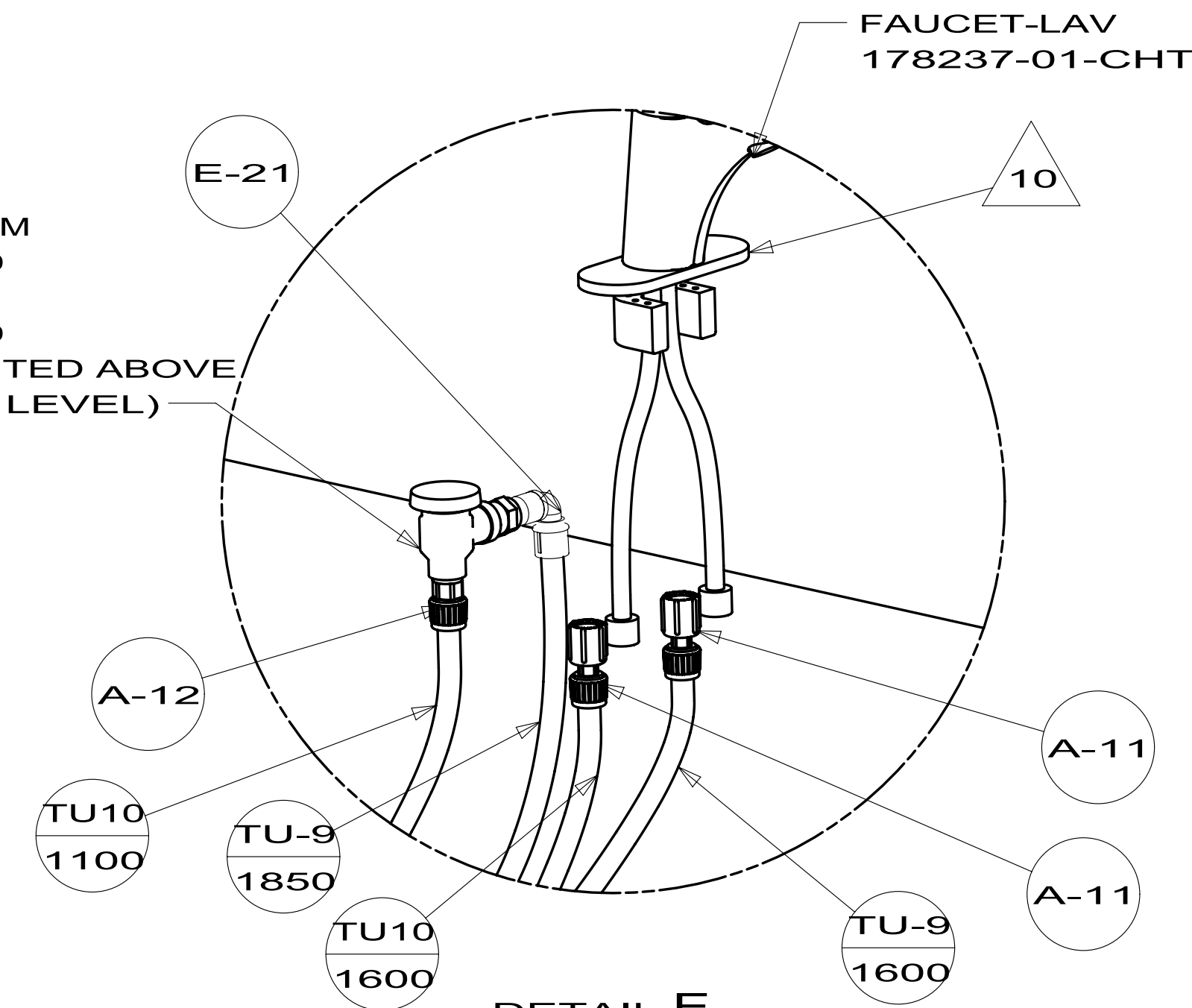


DETAIL F
(SHOWN W/OUT CABINETS)



SECTION D-D

BREAKER-VACUUM
125697-04-000
CHECK VALVE
125697-03-000
(MUST BE MOUNTED ABOVE
TOILET FLOOD LEVEL)



DETAIL E
(SHOWN W/OUT CABINETS)

FIRST USED	12 P36M	
TITLE:	DO NOT SCALE DRAWING	
SHEET 2	PART NO	177115
	REV	

FAUCET-LAV
178237-01-CHT
WASTE ASM
(SUPPLIED W/FAUCET)

FAUCET-WATER PURIFIER
103635-01-000 (WIN)
173603-01-CHT (ITA)

FAUCET-GALLEY
123744-03-CHT

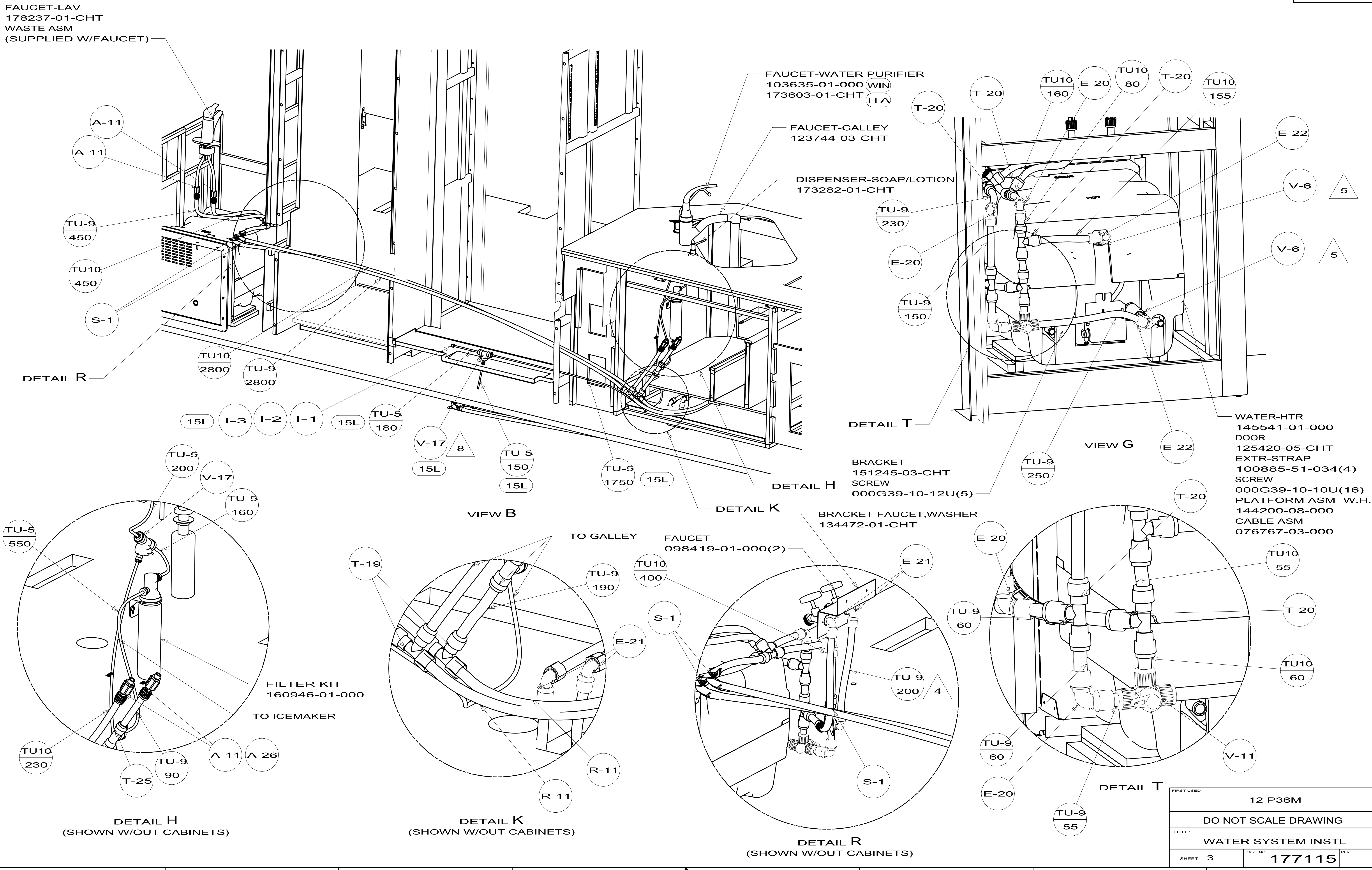
DISPENSER-SOAP/LOTION
173282-01-CHT

WATER-HTR
145541-01-000
DOOR
125420-05-CHT
EXTR-STRAP
100885-51-034(4)
SCREW
000G39-10-10U(16)
PLATFORM ASM- W.H.
144200-08-000
CABLE ASM
076767-03-000

BRACKET
151245-03-CHT
SCREW
000G39-10-12U(5)

BRACKET-FAUCET, WASHER
134472-01-CHT

FAUCET
098419-01-000(2)



DETAIL H
(SHOWN W/OUT CABINETS)

DETAIL K
(SHOWN W/OUT CABINETS)

DETAIL R
(SHOWN W/OUT CABINETS)

DETAIL T

FIRST USED	12 P36M
TITLE:	DO NOT SCALE DRAWING
	WATER SYSTEM INSTL
SHEET 3	PART NO 177115 REV

