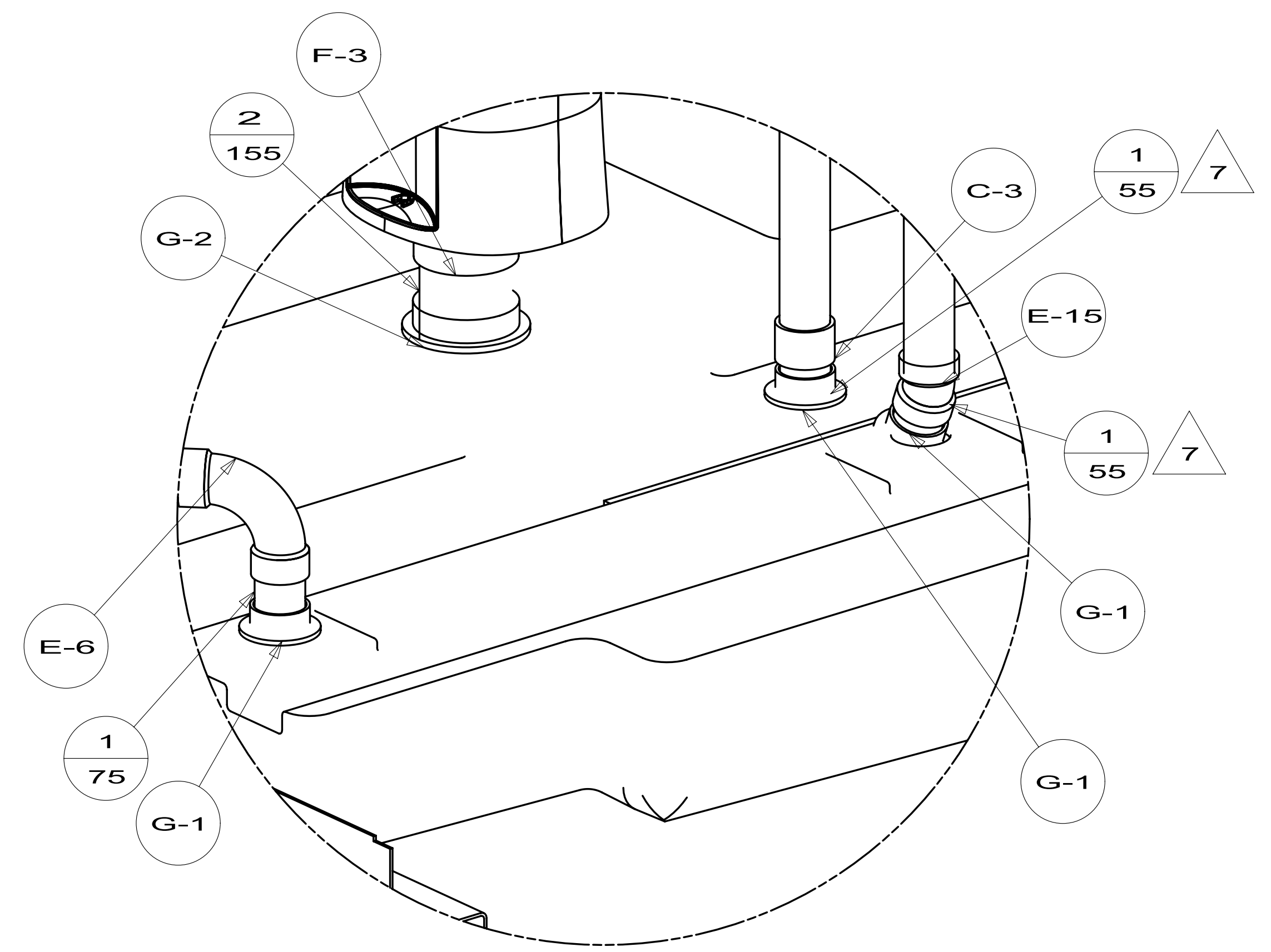
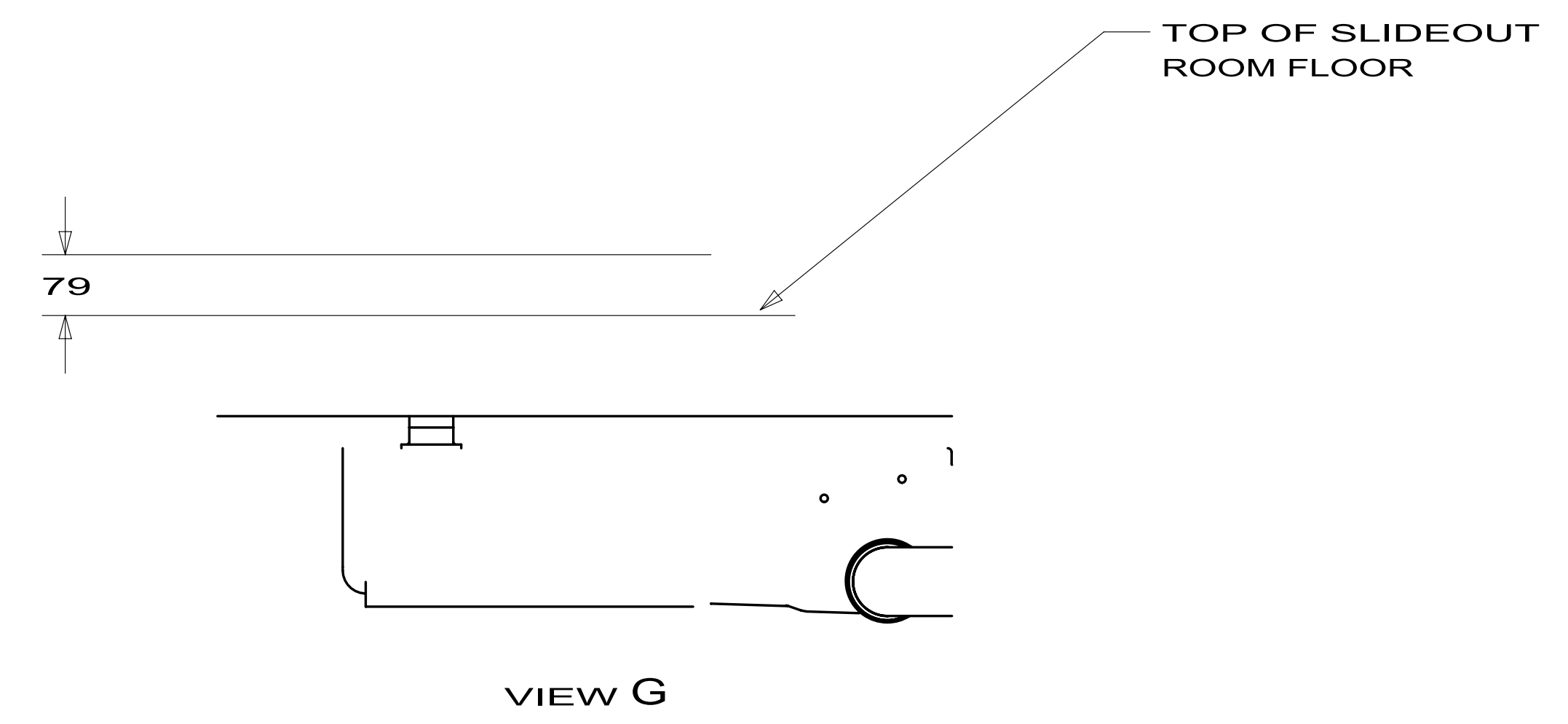
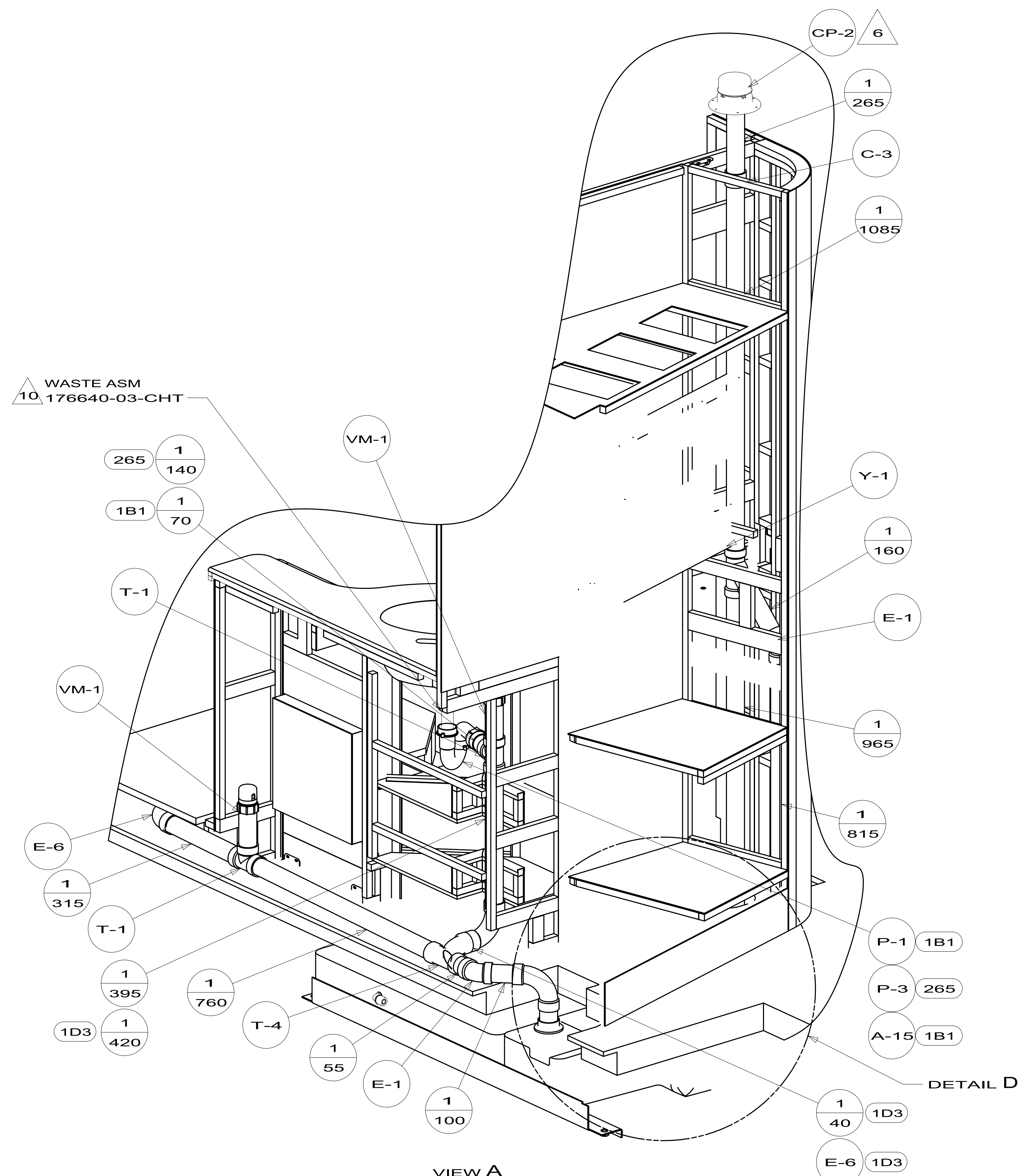


- 10. ADD TEFLON TAPE 010405-01-000.
- 9. APPLY PRIMER 126427-02-000 AND CEMENT 126427-01-000 BETWEEN ELBOW AND FLEX PIPE.
- 8. SECURE DRAINAGE PIPES TO CABINET USING WIRE TIE 108046-02-000, AND SCREW 000G67-10-12B AT INTERVALS OF NOT MORE THAN 4 FEET APART.
- 7. SECURE VENT PIPE TO FLOOR WITH CLAMP 062401-02-000 (2), SCREW 000G67-10-12B (2), BRACKET 136878-01-CHT (2).
- 6. VENT PIPE MUST PROJECT 51 MIN AND 64 MAX ABOVE ROOF FOR PROPER FIT AND FUNCTION.
- 5. SEAL AROUND SHOWER WITH SILICONE.
- 4. USE SMOOTH PLUMBERS PUTTY 167459-01-000 TO SEAL STRAINER (0.2 PER STRAINER).
- 3. ALL PIPE AND FITTINGS TO BE ASSEMBLED WITH SOLVENT 004020-01-000 (USA), 004020-02-000 (CAN)
- 2. SLOPE OF TRAP ARM MUST BE 6 PER 305 mm.
- 1. SLOPE OF HORIZONTAL PIPING TO BE MINIMUM OF 3 PER 305 mm.

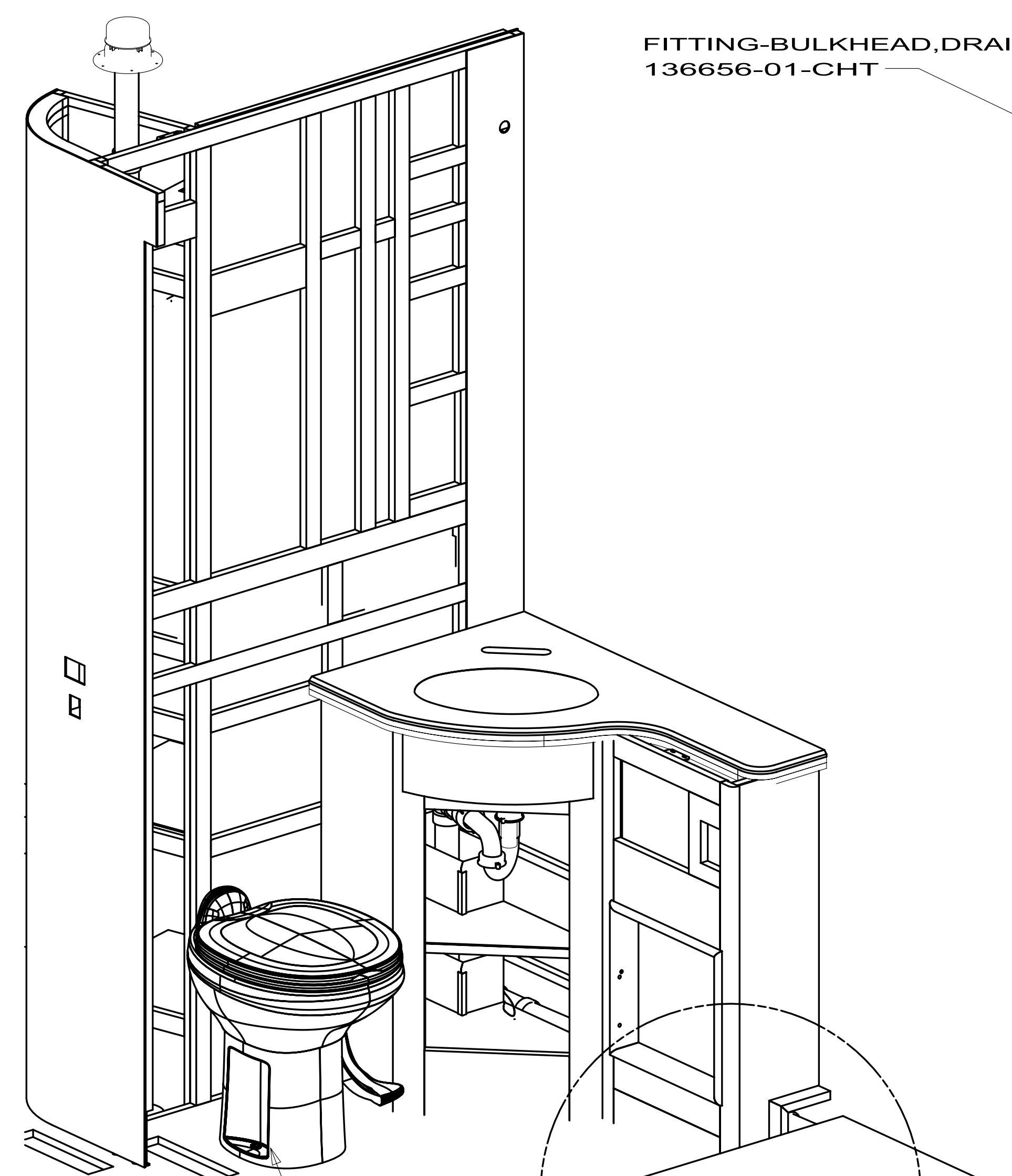
- 1D3 ENTERTAIN CENTR/EXT TV-DVD
- 1B1 CODES/STANDARDS-USA
- 265 CODES/STANDARDS-CSA/CMVSS

		COPYRIGHT 2011 WINNEBAGO INDUSTRIES, INC.
DTR	ORIG. DATE	
CHKR	ALL DIMENSIONS ARE IN MILLIMETERS	
P.E.		
M.E.	FIRST USED	
DSNR	12 J32H	
UNSPECIFIED TOLERANCES ARE:		MATERIAL:
WHOLE DIM (X)	: 3	
ONE-PLACE (X.X)	: 1.5	
TWO-PLACE (X.XX)	: 0.50	
ANGLE	: 1°	
THIRD ANGLE PROJECTION		
DO NOT SCALE DRAWING		REFER TO ES0018 FOR FASTENER TIGHTENING GUIDELINES
TITLE: DRAINAGE SYSTEM INSTL		
SHEET 1 OF 4	PART NO	REV
	179153	
REF:	1	

FOR
DRAINAGE
CALLOUTS
SEE DWG NO
116229-01-000

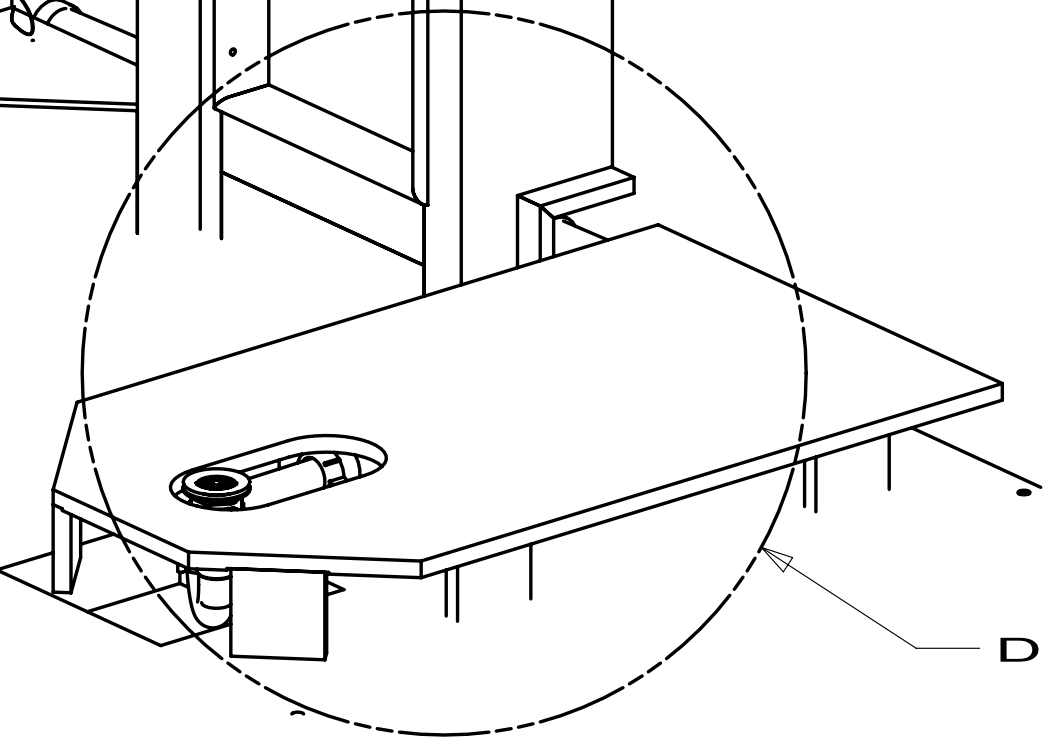


FIRST USED	12 J32H	
TITLE:	DO NOT SCALE DRAWING	
	DRAINAGE SYSTEM INSTL	
SHEET 2	PART NO	179153
	REV	



TOILET
160815-01-CHT
SCREW
087721-01-000 (8)

VIEW B



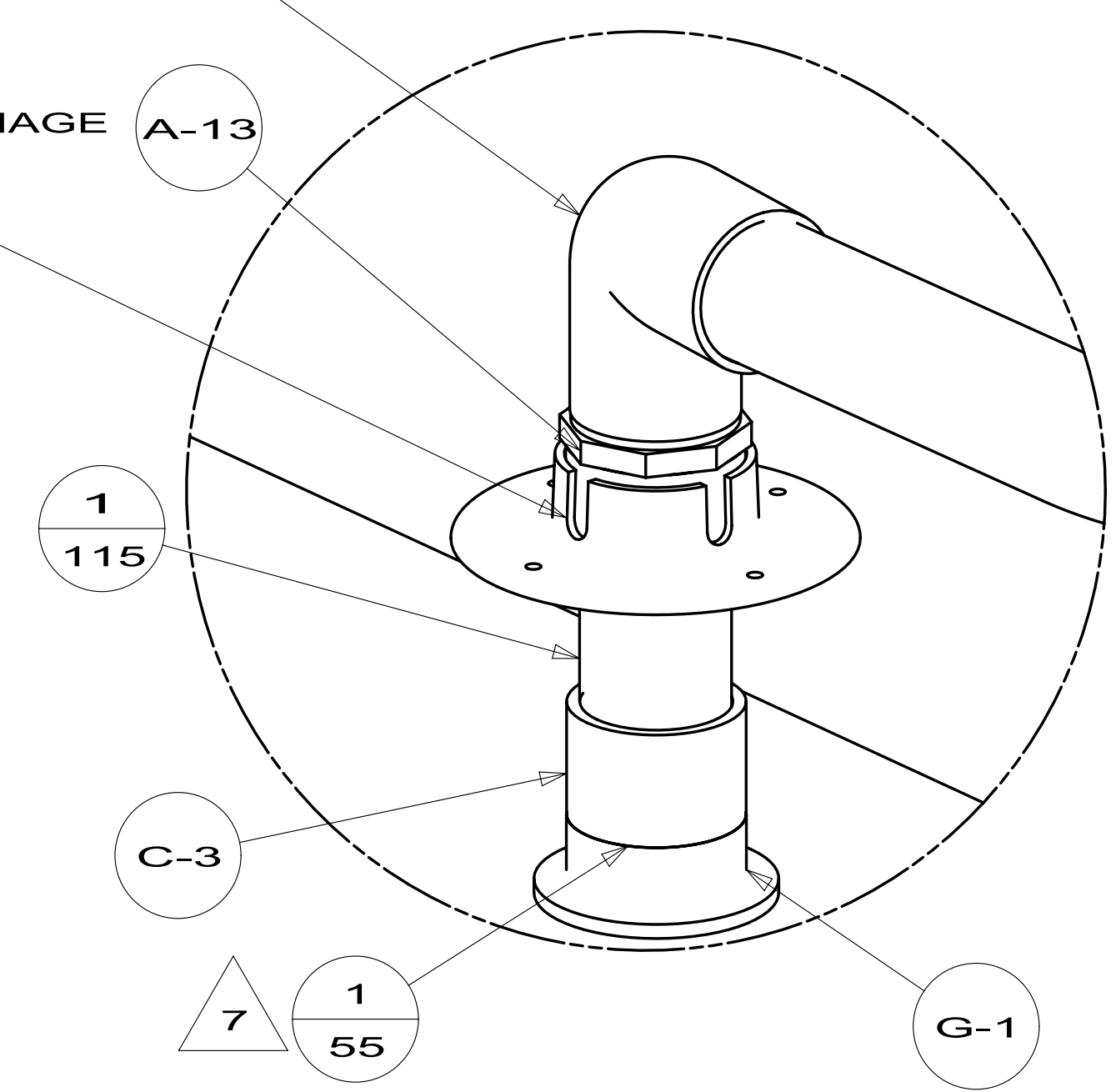
DETAIL E
(SHOWN W/OUT CABINETS)

- 1B1 P-1
- 265 P-3
- 1B1 A-15

- SINK
173783-01-CHT
- STRAINER
092303-01-000(2) 4
- BRACKET
140002-01-CHT(8)
- SCREW
142261-02-CHT(8)
- SEAL (A/R)

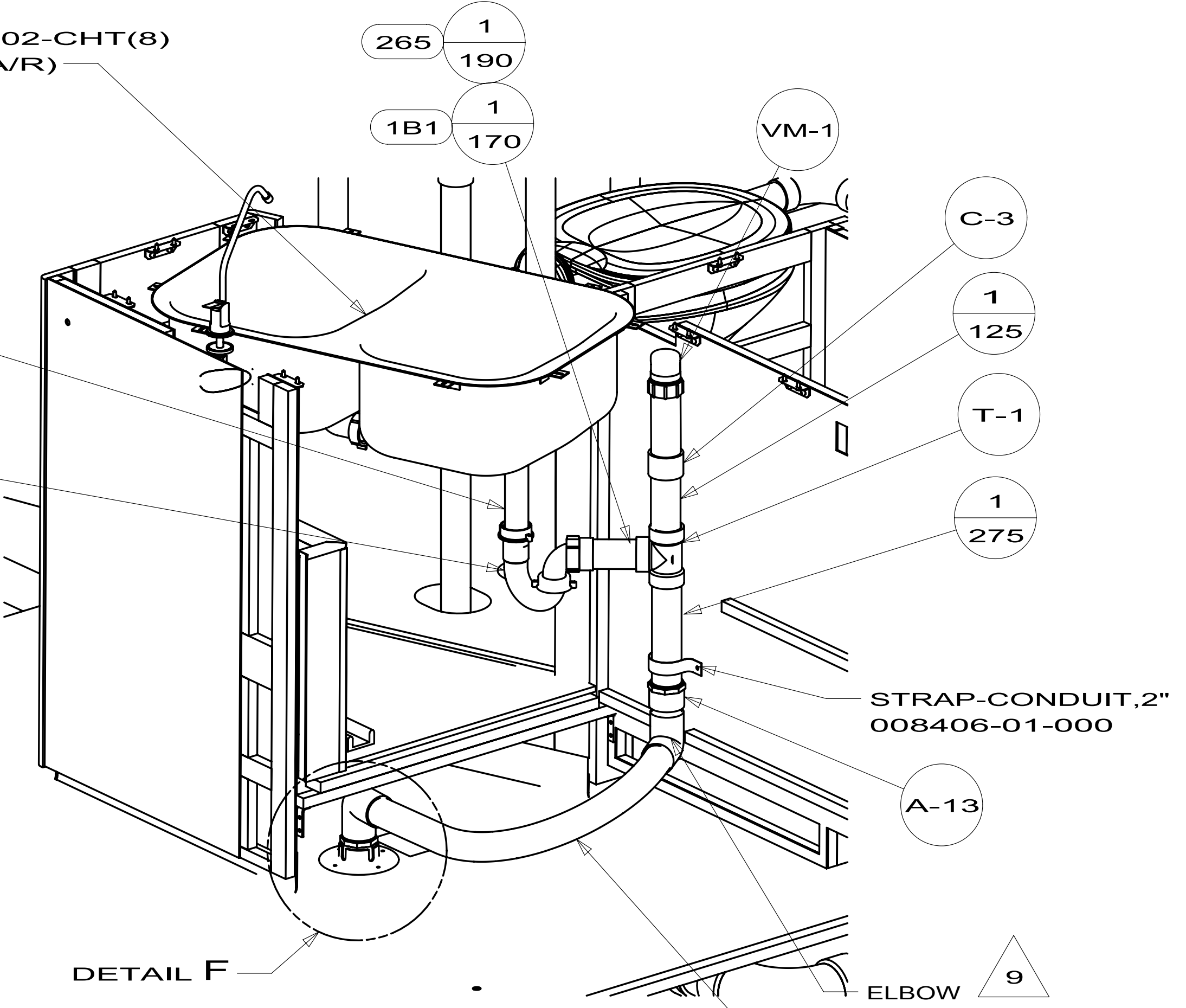
FITTING-BULKHEAD,DRAINAGE
136656-01-CHT

ELBOW
136111-01-000



DETAIL F
(SHOWN W/OUT FLOOR & CABINETS)

- 1B1 P-1
- 265 P-3
- 1B1 A-15



VIEW C
(SHOWN W/OUT COUNTERTOP)

ELBOW
136111-01-000

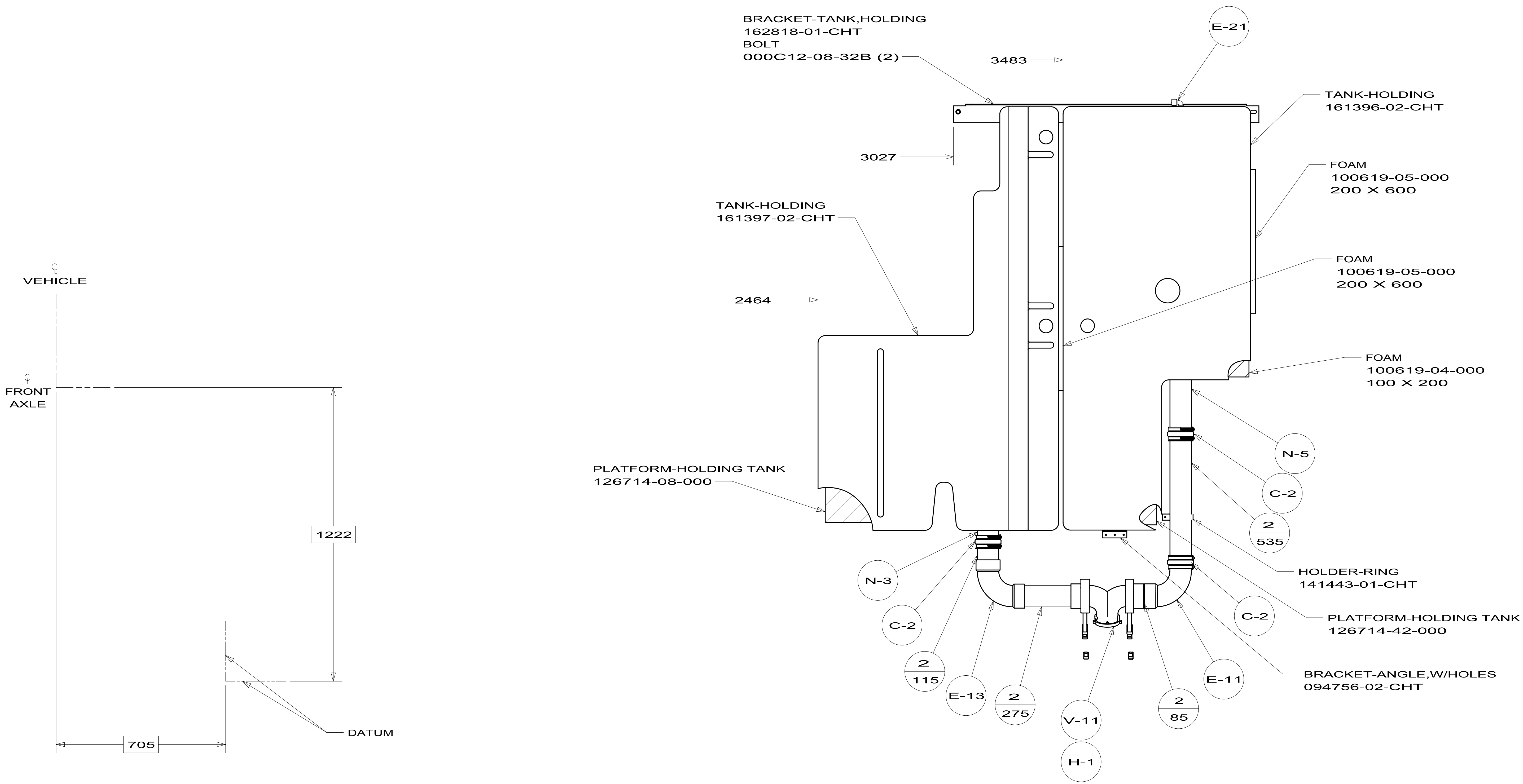
STRAP-CONDUIT,2"
008406-01-000

STRAP-CONDUIT,2"
008406-01-000 (2)

- 1 1B1
- 535
- 1 265
- 725

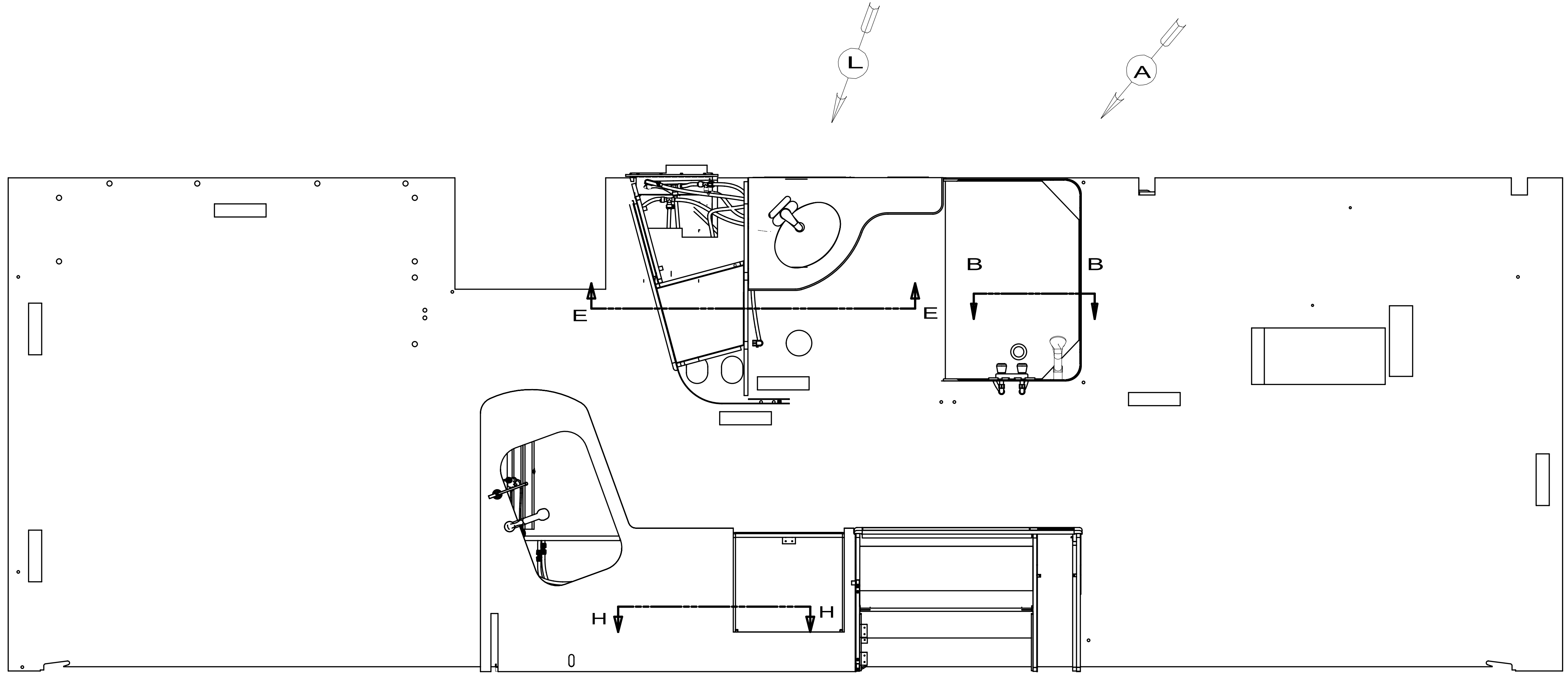
SHOWER INSTL
164684-02-000
STRAINER
066440-01-000
TAILPIECE
011069-02-000
NUT
130403-01-000
WASHER-RUBBER
127440-02-CHT

FIRST USED	12 J32H	
TITLE:	DO NOT SCALE DRAWING	
	DRAINAGE SYSTEM INSTL	
SHEET 3	PART NO	179153
	REV	



TOP VIEW
(SHOWING TANKS AND DRAINS)

FIRST USED		12 J32H	
DO NOT SCALE DRAWING			
TITLE: DRAINAGE SYSTEM INSTL			
SHEET 4	PART NO	179153	REV

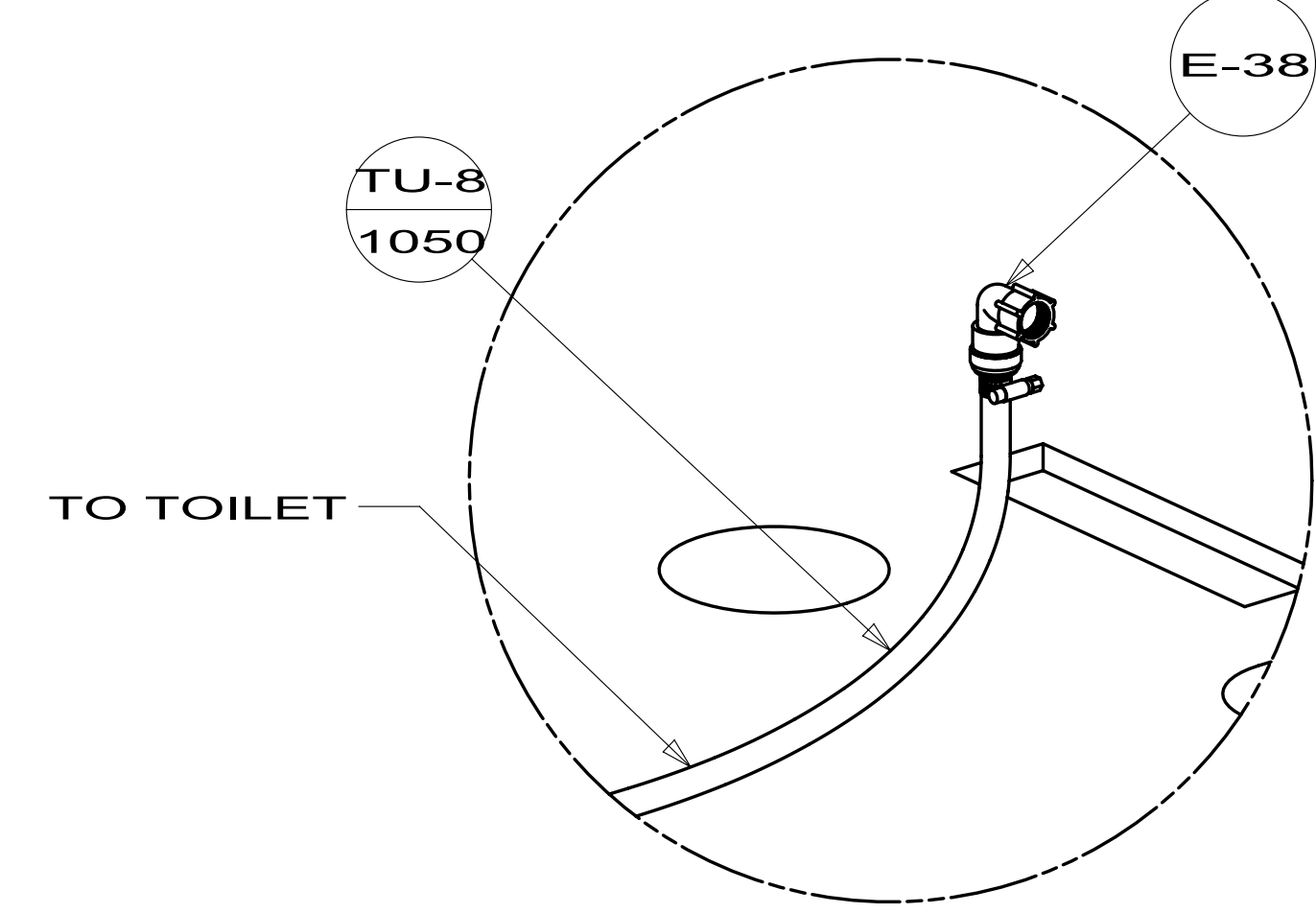


- 144 REFRIGERATOR-DOUBLE DOOR
- 15U REFRIGERATOR/FRZR-W/ICEMAKER
- 29B WATER PURIFIER
- 1B2 WTR HTR-10 GAL/ELEC/LP/MTRAIID
- 53E WATER SYS WINTERIZATION PKG

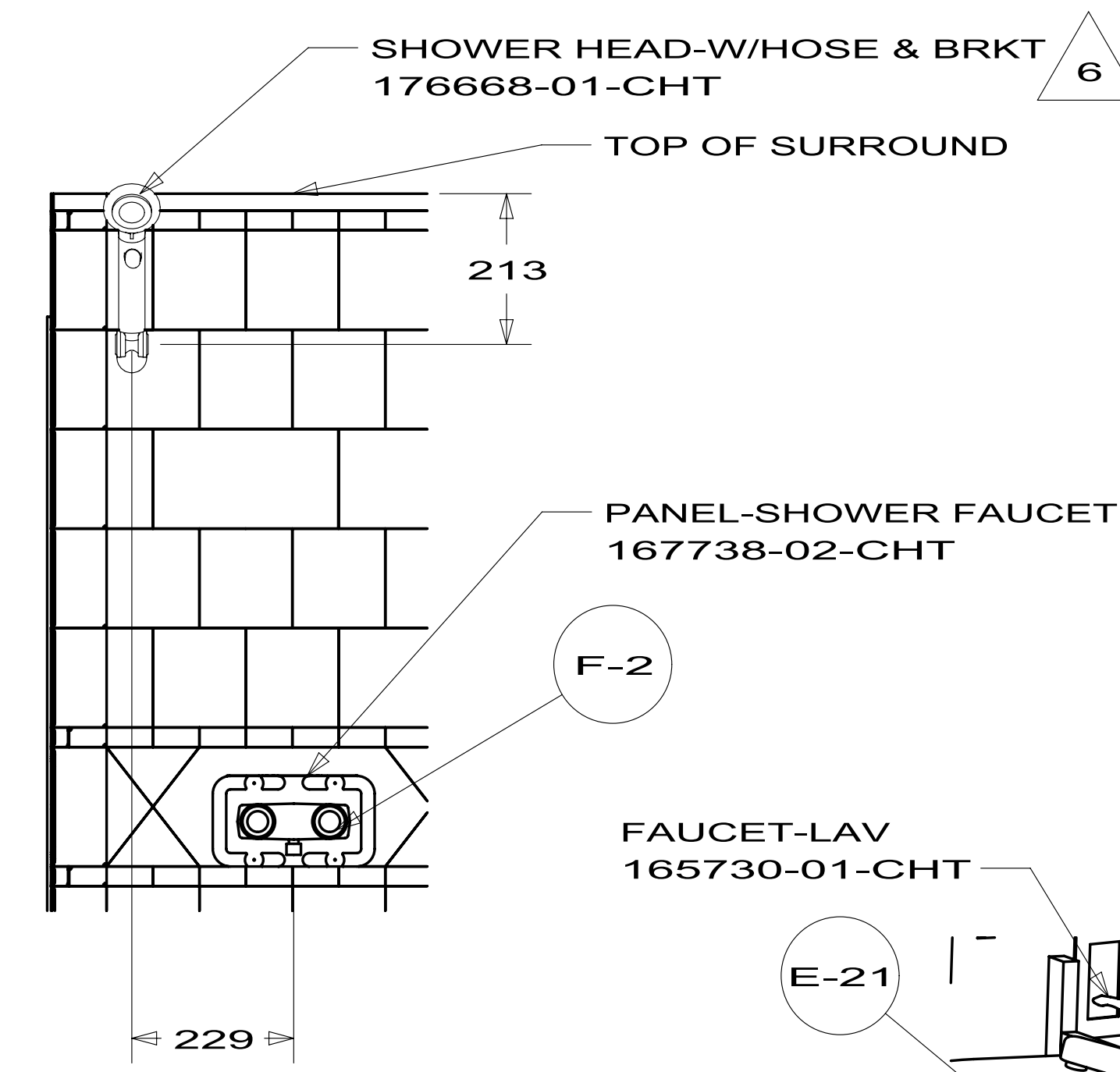
- NOTES:
- 6 USE IN PLACE OF SUPPLIED SCREWS TO ATTACH BRACKET TO WALL.
 - 5 ADD TEFLON TAPE 010405-02-000.
 - 4 ADD TEFLON TAPE 010405-01-000.
 - 3. ALL TUBING TO BE SECURED AT 1200 INTERVALS MAXIMUM WITH CLAMP 010495-01-000 AND SCREW 000G67-10-12B OR EQUIVALENT.
 - 2. TUBING TO BE INSTALLED WITH SUFFICIENT SLOPE TO PROVIDE DRAINAGE TO NEAREST VALVE.
 - 1. PLASTIC FITTINGS TO BE SEALED WITH SEALANT 084456-01-000.

FOR
WATER
CALLOUTS
SEE DWG NO
116230-01-000

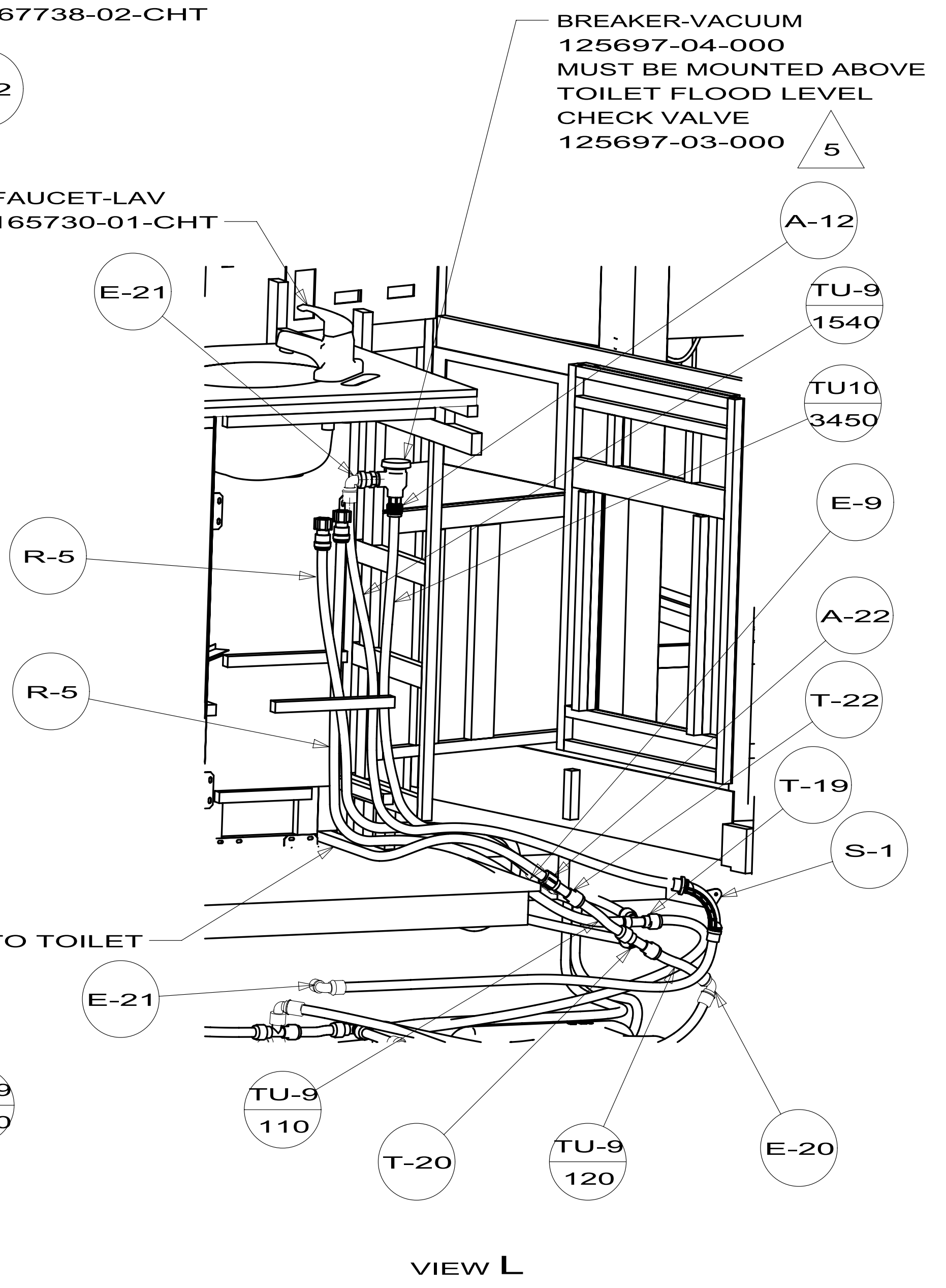
		COPYRIGHT 2011 WINNEBAGO INDUSTRIES, INC.
DTR	ORIG. DATE	
CHKR	ALL DIMENSIONS ARE IN MILLIMETERS	
P.E.		
M.E.	FIRST USED	
DSNR	12 J32H	
UNSPECIFIED TOLERANCES ARE:		MATERIAL:
WHOLE DIM (X)	: 3	
ONE-PLACE (X.X)	: 1.5	
TWO-PLACE (X.XX)	: 0.50	
ANGLE	: 1°	
THIRD ANGLE PROJECTION		
DO NOT SCALE DRAWING		REFER TO ES0018 FOR FASTENER TIGHTENING GUIDELINES
TITLE: WATER SYSTEM INSTL		
SHEET 1 OF 5	PART NO 179156	REV
REF:	1	



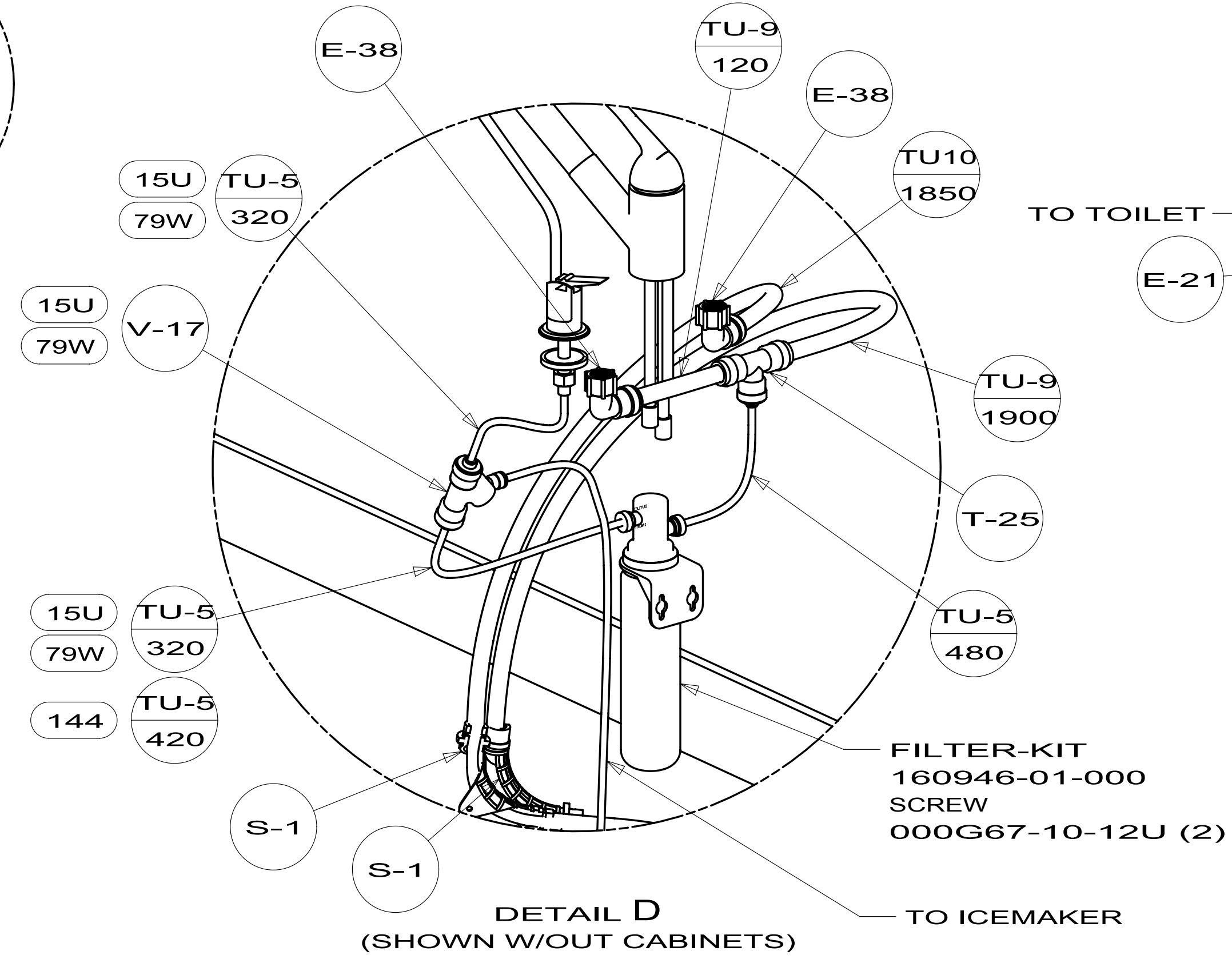
DETAIL P
(SHOWN W/OUT CABINETS)



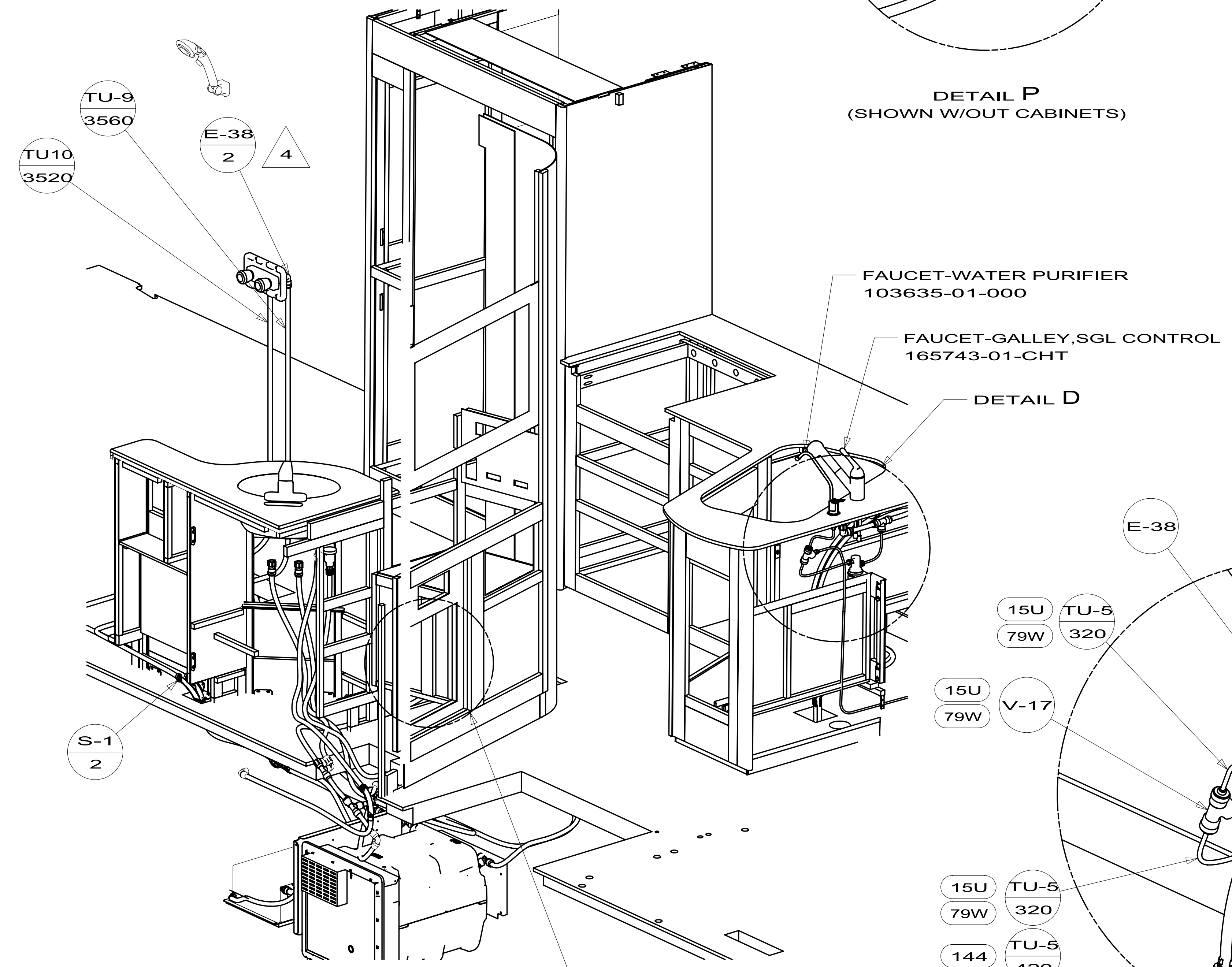
SECTION B-B
(ROTATED)



VIEW L

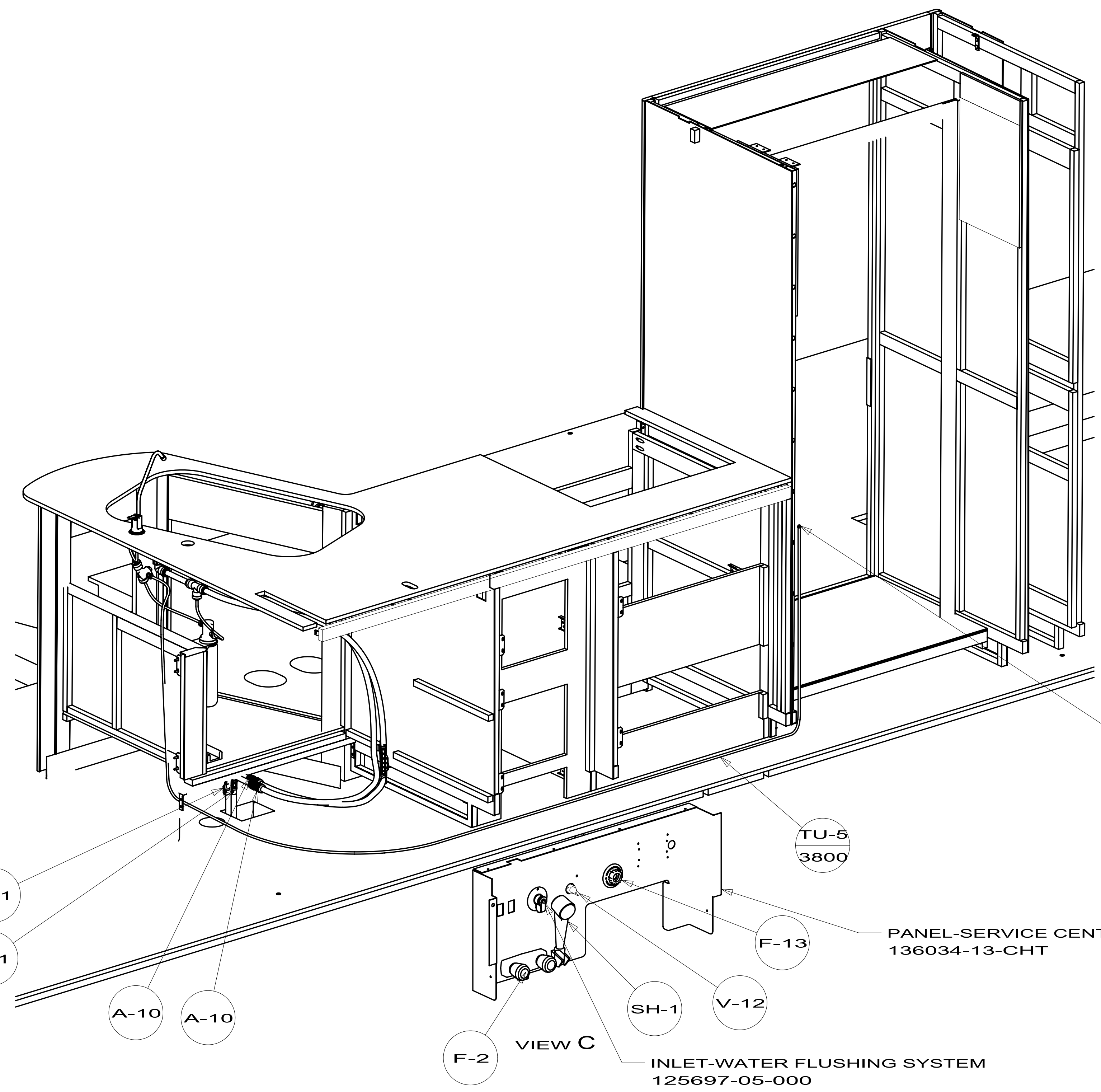


DETAIL D
(SHOWN W/OUT CABINETS)

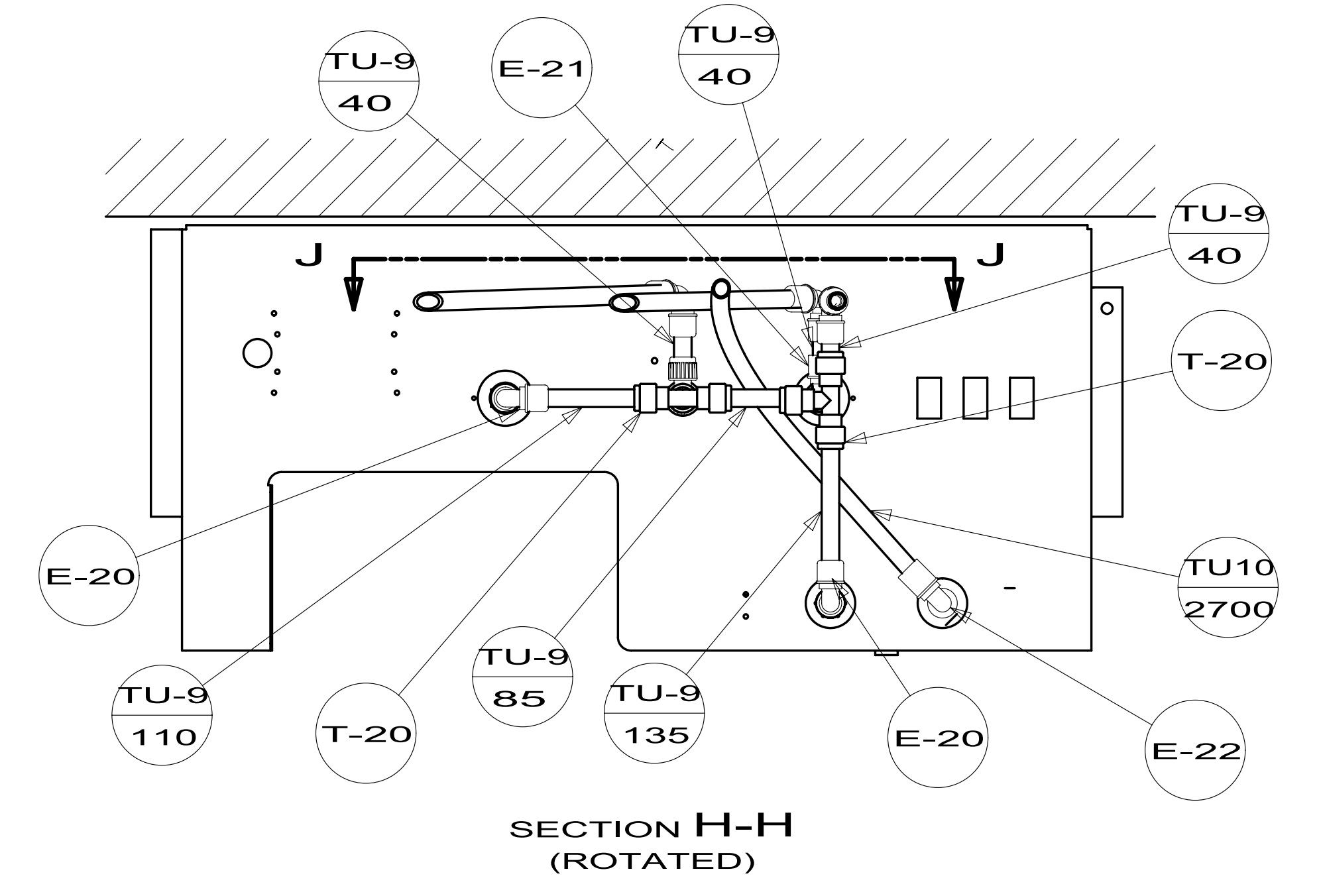
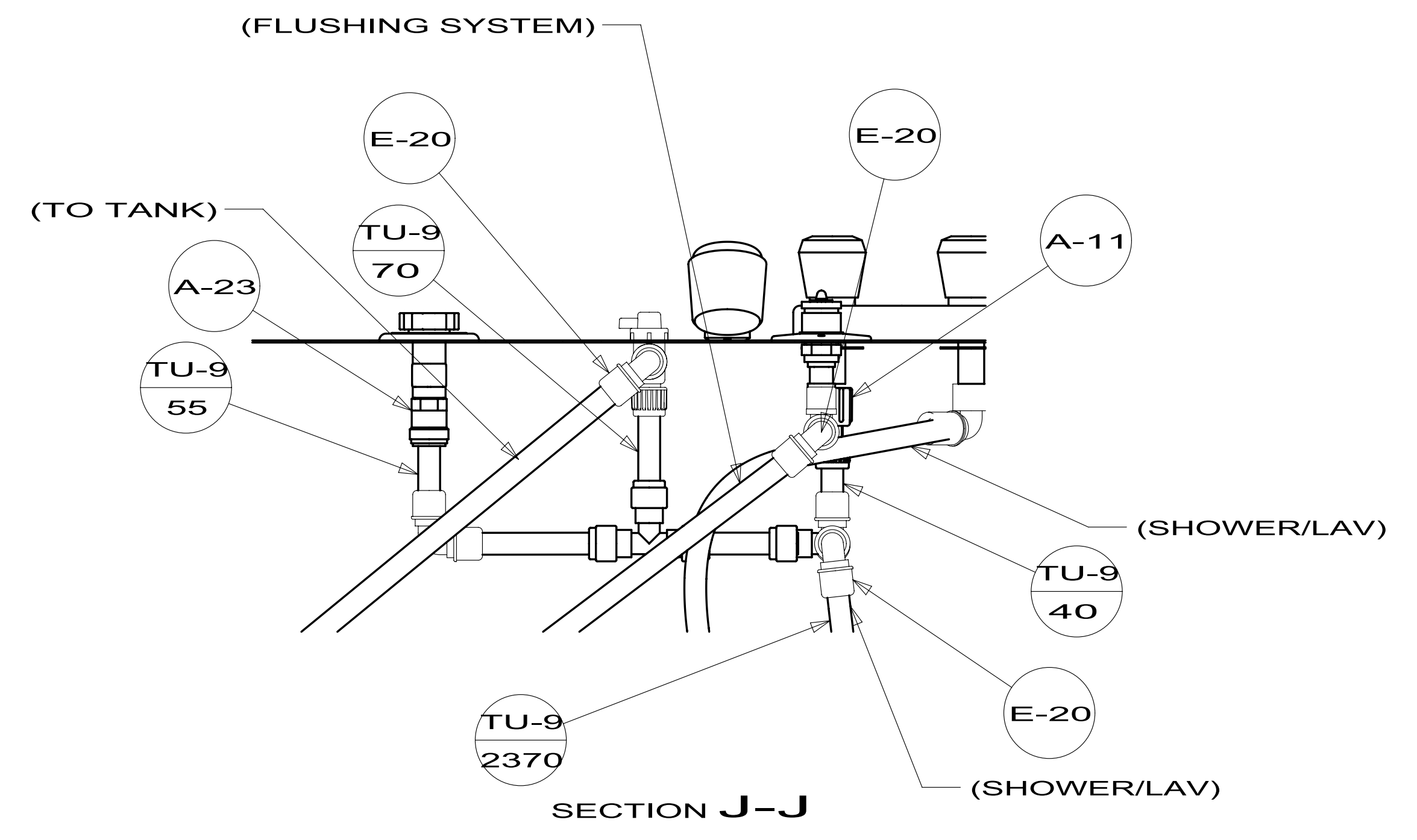


VIEW A

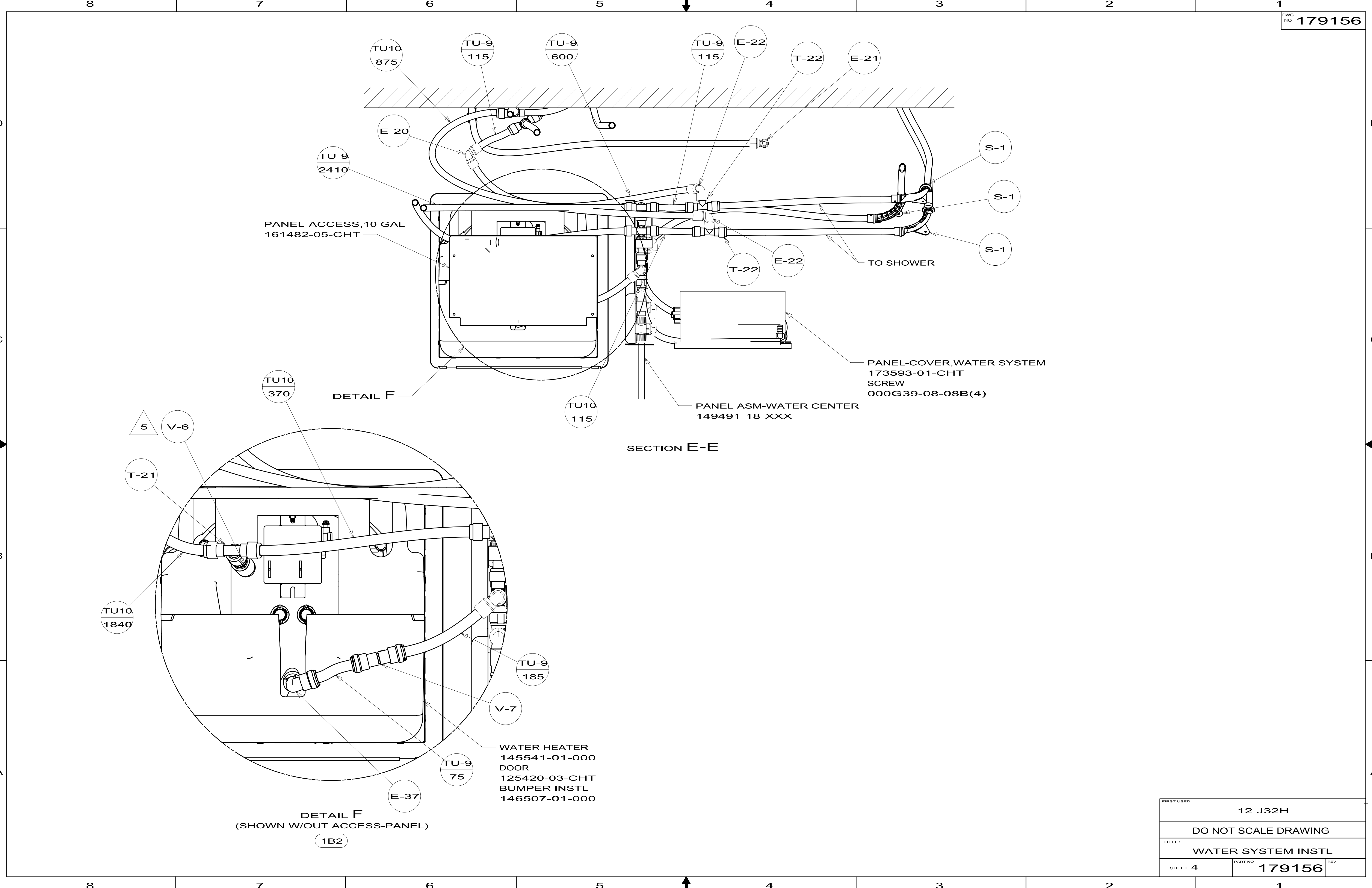
FIRST USED	12 J32H	
TITLE:	DO NOT SCALE DRAWING	
	WATER SYSTEM INSTL	
SHEET 2	PART NO. 179156	REV



- 15U
- I-2
- 2
- I-1
- 2



FIRST USED	12 J32H	
DO NOT SCALE DRAWING		
TITLE: WATER SYSTEM INSTL		
SHEET 3	PART NO 179156	REV



PANEL-ACCESS, 10 GAL
161482-05-CHT

DETAIL F

SECTION E-E

PANEL COVER, WATER SYSTEM
173593-01-CHT
SCREW
000G39-08-08B(4)

PANEL ASM-WATER CENTER
149491-18-XXX

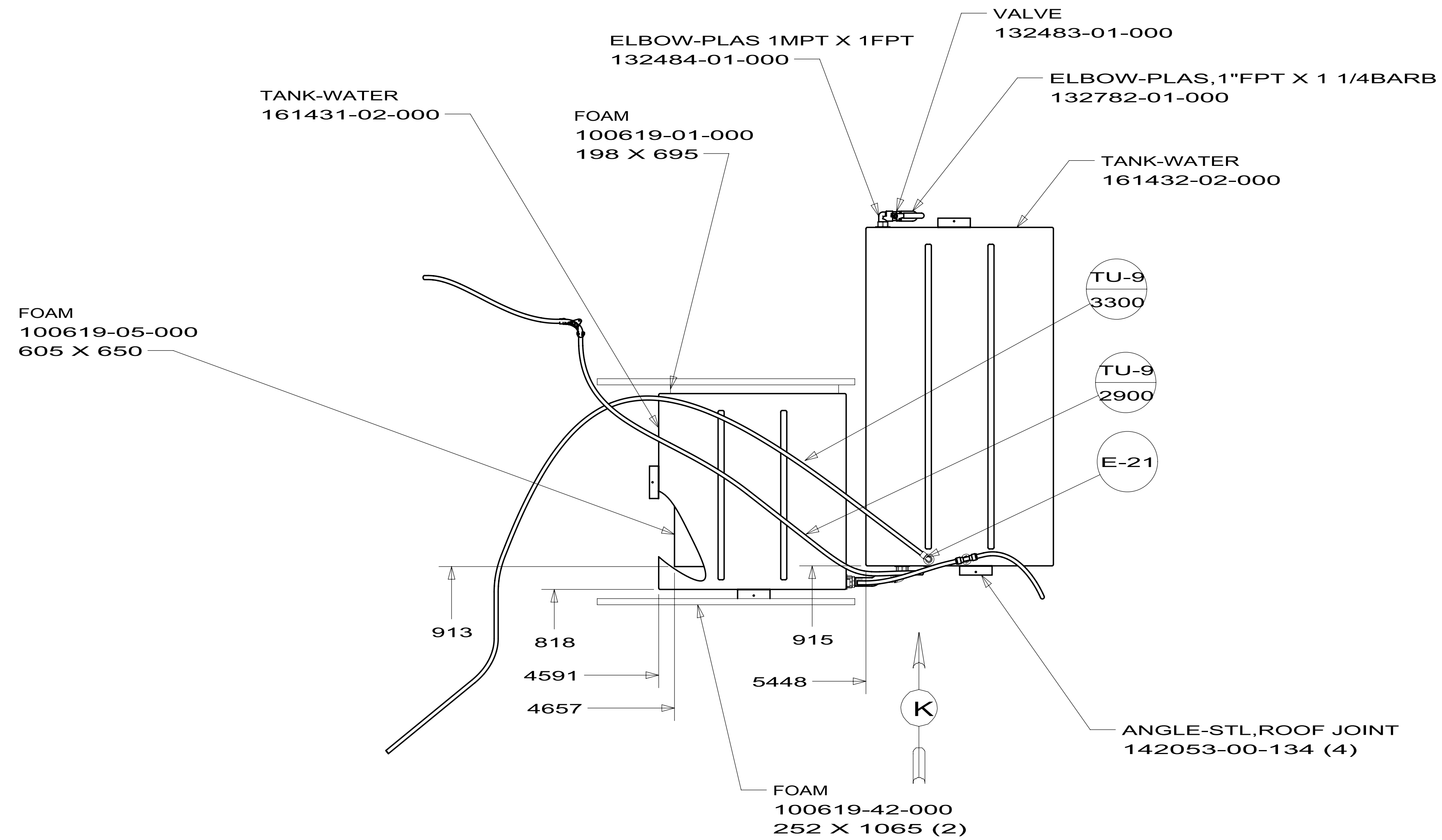
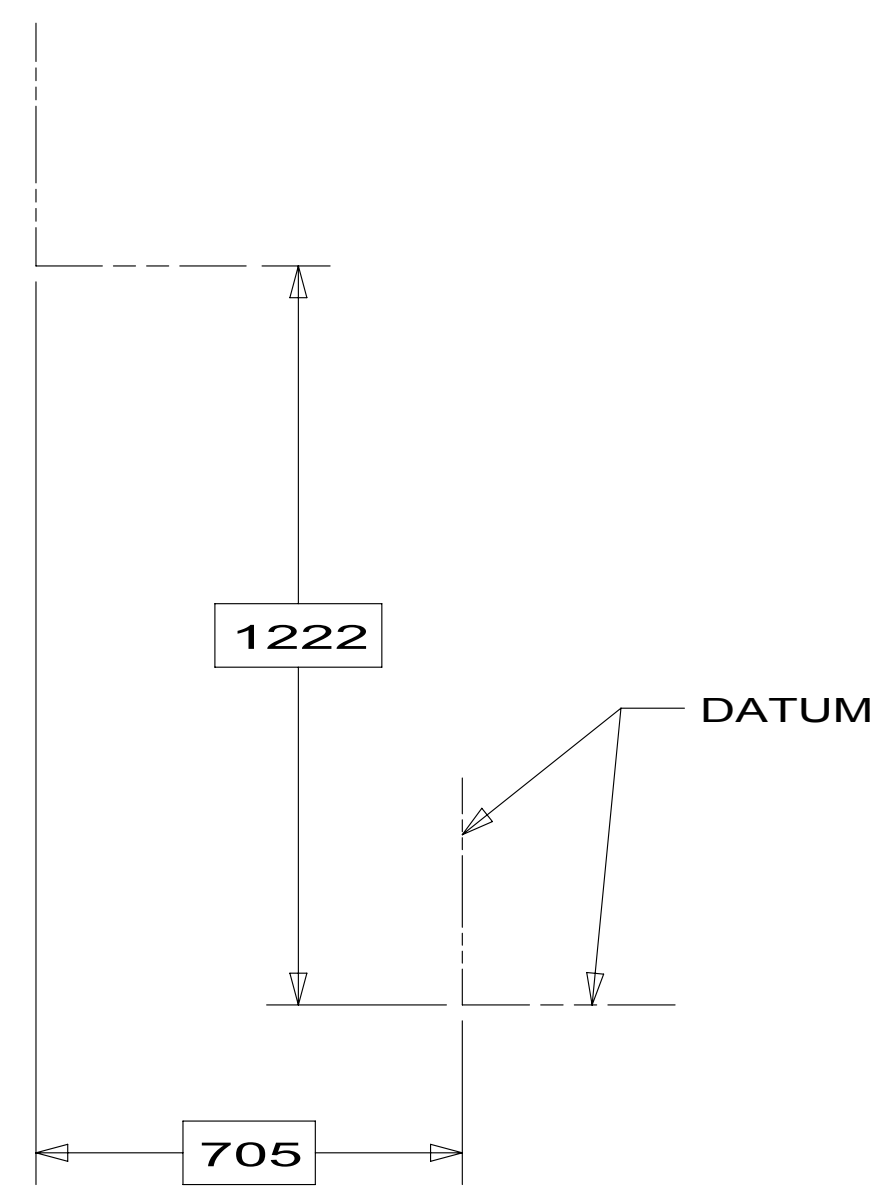
WATER HEATER
145541-01-000
DOOR
125420-03-CHT
BUMPER INSTL
146507-01-000

DETAIL F
(SHOWN W/OUT ACCESS-PANEL)

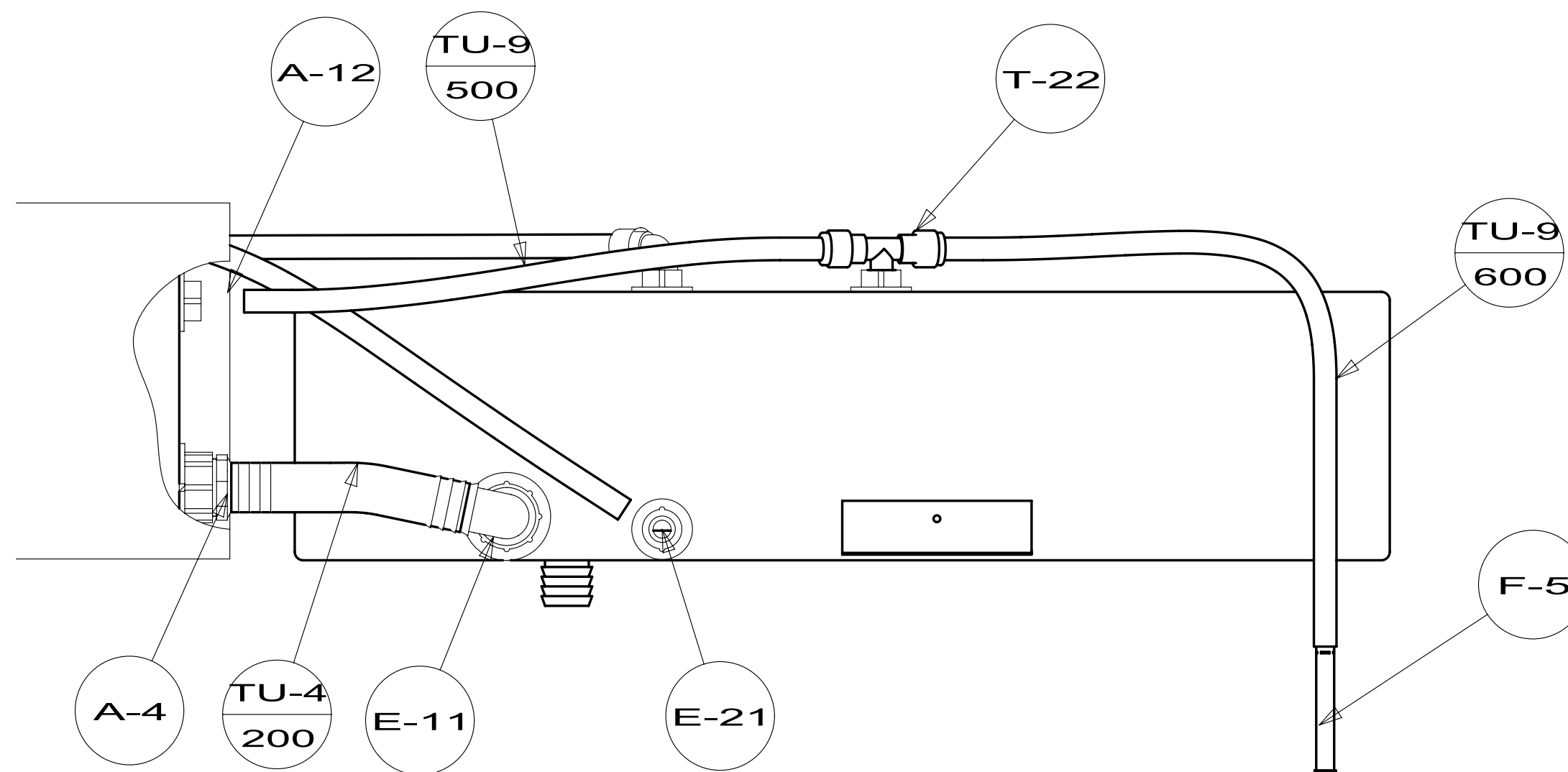
1B2

TO SHOWER

FIRST USED	12 J32H	
TITLE:	DO NOT SCALE DRAWING	
	WATER SYSTEM INSTL	
SHEET 4	PART NO 179156	REV



(ONLY SHOWING TANKS AND PIPING UNDER FLOOR)



VIEW K

FIRST USED	12 J32H	
TITLE:	DO NOT SCALE DRAWING	
	WATER SYSTEM INSTL	
SHEET 5	PART NO 179156	REV