

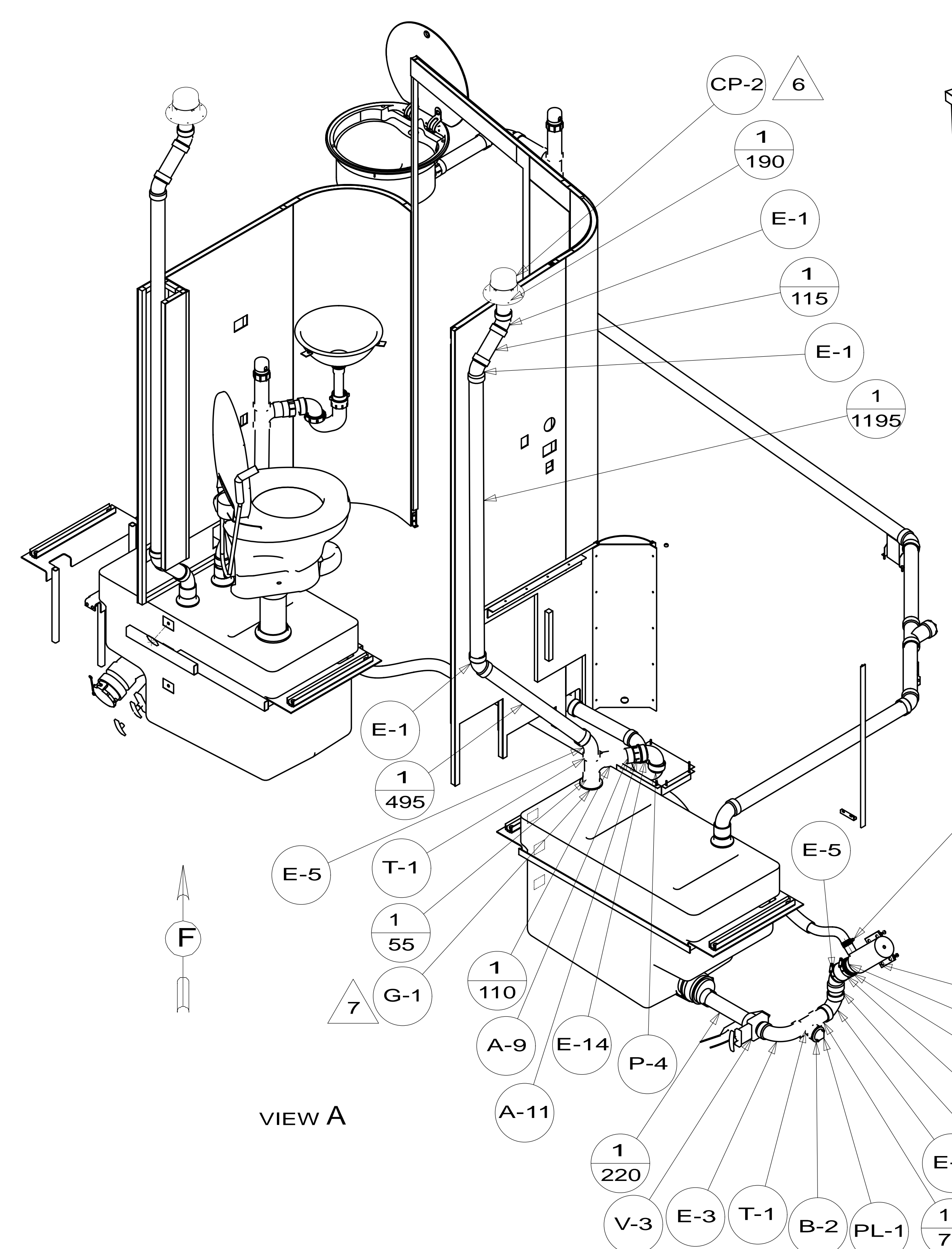
- (23R) DRAINAGE SYSTEM/HEAT-PREWIRE
- (1JD) DRAINAGE SYSTEM-HEATED-W/O
- (23T) DRAINAGE SYSTEM-HEATED
- (464) TOILET
- (265) CODES/STANDARDS-CSA/CMVSS
- (1B1) CODES/STANDARDS USA

9. PREP THE SURFACE PER MANUFACTURERS INSTRUCTIONS, THEN APPLY ADHESIVE 067788-04-000 (0.10) ON PREPARED AREA BEFORE APPLYING THE HEADING PAD PER MANUFACTURERS INSTRUCTIONS.
8. FOLLOW SEWAGE MACERATOR PUMP WINTERIZATION PROCEDURE. EACH PUMP REQUIRES TWO GALLONS OF RV ANTIFREEZE 157665-02-000.
7. SECURE VENT PIPE TO FLOOR WITH CLAMP 062401-02-000 (2), SCREW 000G67-10-12B (2), BRACKET 136878-01-CHT (2).
6. VENT PIPE MUST PROJECT 51 MIN AND 64 MAX ABOVE ROOF FOR PROPER FIT AND FUNCTION. ADD S-1 (116666-01-CHT SEAL-VENT PIPE) AROUND PIPE ON ROOF BEFORE VENT CAP IS INSTALLED.
5. SEAL AROUND SHOWER WITH SILICONE.
4. SECURE DRAINAGE PIPES TO CABINET USING WIRE TIE 108046-02-000, AND SCREW 000G67-10-12B AT INTERVALS OF NOT MORE THAN 4 FEET APART.
3. ALL PIPE AND FITTINGS TO BE ASSEMBLED WITH SOLVENT 004020-01-000 (USA), 004020-02-000 (CAN)
2. SLOPE OF TRAP ARM MUST BE 6 PER 305 mm.
1. SLOPE OF HORIZONTAL PIPING TO BE MINIMUM OF 3 PER 305 mm.

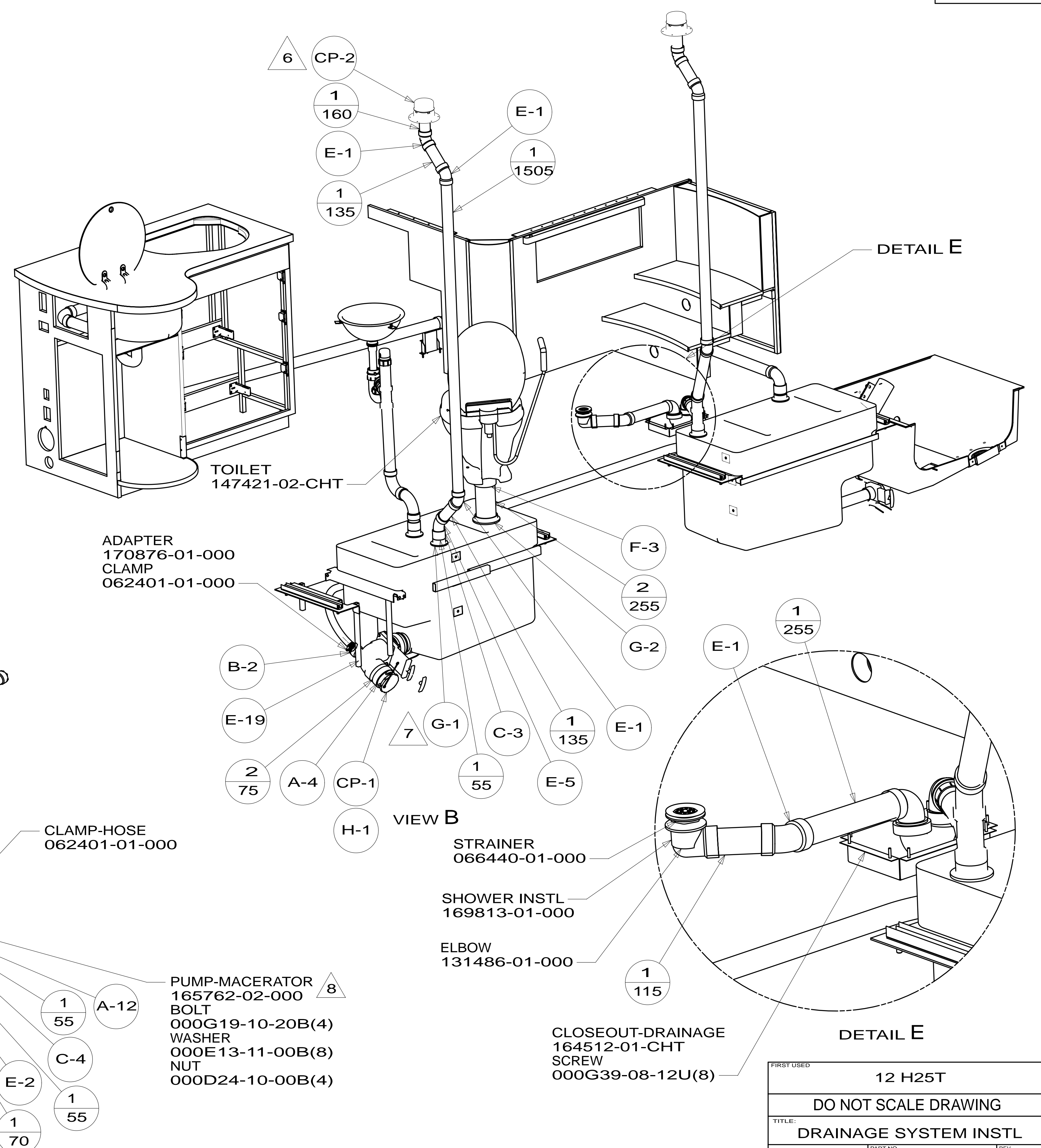
NOTES:

		COPYRIGHT 2012 WINNEBAGO INDUSTRIES, INC.	
DFT-ORIG	ORIG. DATE	ALL DIMENSIONS ARE IN MILLIMETERS	
CHKR			
P.E.			
M.E.	FIRST USED	12 H25T	
DSNR			
UNSPECIFIED TOLERANCES ARE:		MATERIAL:	
WHOLE DIM (X)	: 3		
ONE-PLACE (X.X)	: 1.5		
TWO-PLACE (X.XX)	: 0.50		
ANGLE	: 1°		
THIRD ANGLE PROJECTION			
DO NOT SCALE DRAWING		REFER TO ES0018 FOR FASTENER TIGHTENING GUIDELINES	
TITLE: DRAINAGE SYSTEM INSTL			
SHEET 1 OF 4	PART NO	179068	REV
REF:	1		

FOR DRAINAGE CALLOUTS SEE DWG NO 116229-01-000

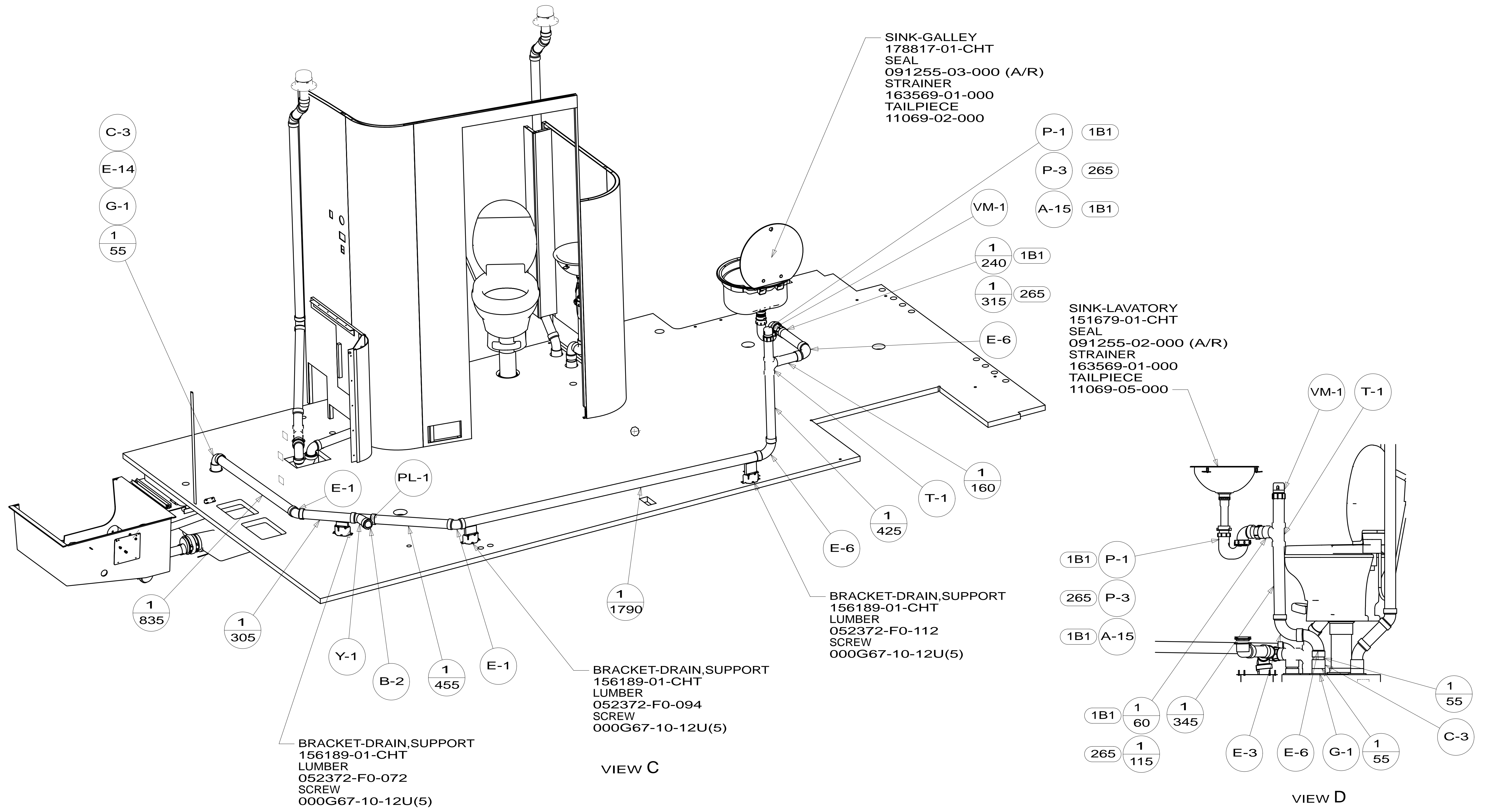


VIEW A



VIEW B

FIRST USED	12 H25T
DO NOT SCALE DRAWING	
TITLE: DRAINAGE SYSTEM INSTL	
SHEET 2	PART NO 179068 REV



SINK-GALLEY
 178817-01-CHT
 SEAL
 091255-03-000 (A/R)
 STRAINER
 163569-01-000
 TAILPIECE
 11069-02-000

P-1 1B1
 P-3 265
 VM-1 A-15 1B1

1 240 1B1
 1 315 265
 E-6

SINK-LAVATORY
 151679-01-CHT
 SEAL
 091255-02-000 (A/R)
 STRAINER
 163569-01-000
 TAILPIECE
 11069-05-000

VM-1 T-1

1B1 P-1
 265 P-3
 1B1 A-15

1B1 1 60 1 345
 265 1 115

BRACKET-DRAIN,SUPPORT
 156189-01-CHT
 LUMBER
 052372-F0-112
 SCREW
 000G67-10-12U(5)

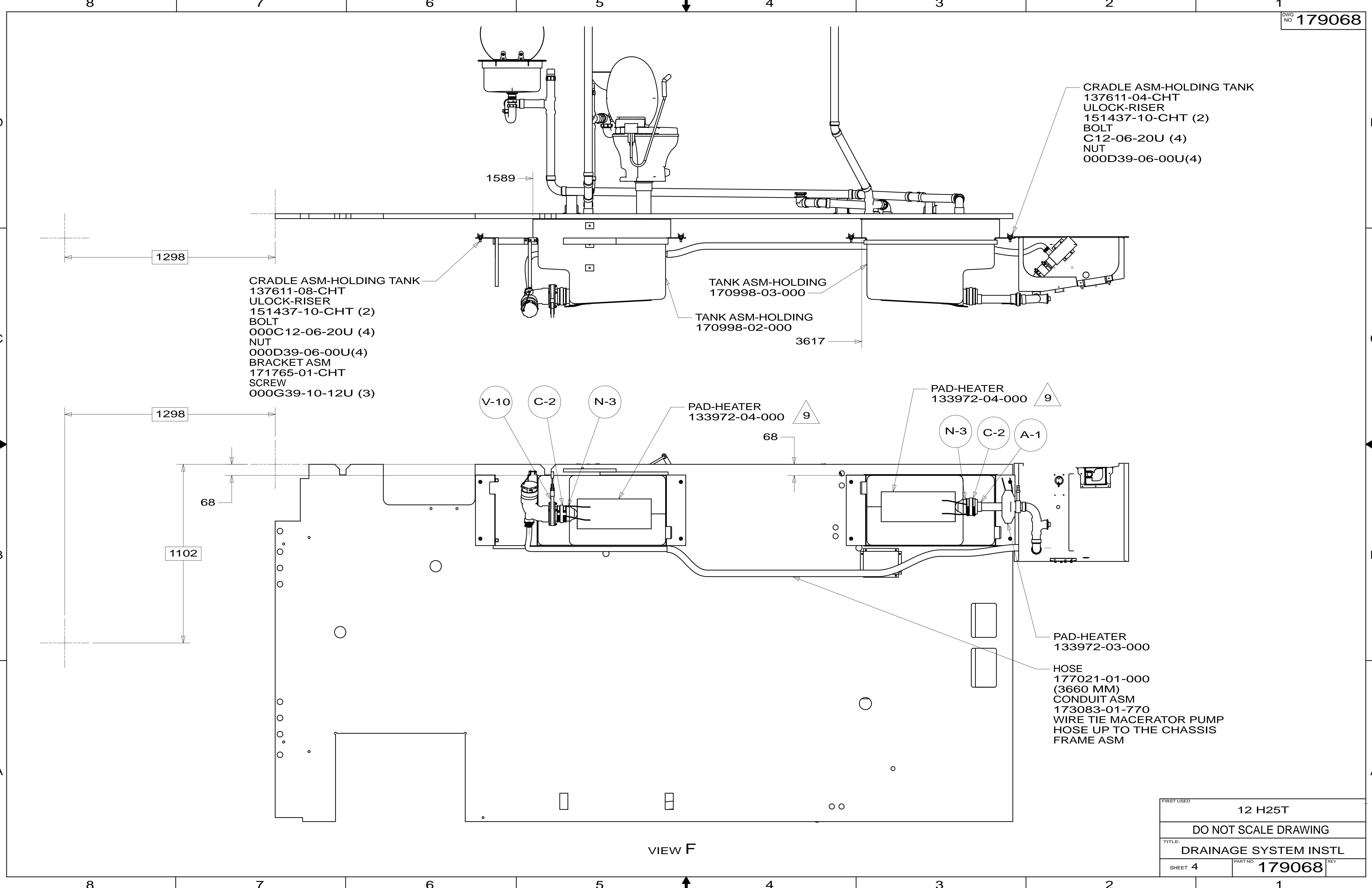
BRACKET-DRAIN,SUPPORT
 156189-01-CHT
 LUMBER
 052372-F0-094
 SCREW
 000G67-10-12U(5)

BRACKET-DRAIN,SUPPORT
 156189-01-CHT
 LUMBER
 052372-F0-072
 SCREW
 000G67-10-12U(5)

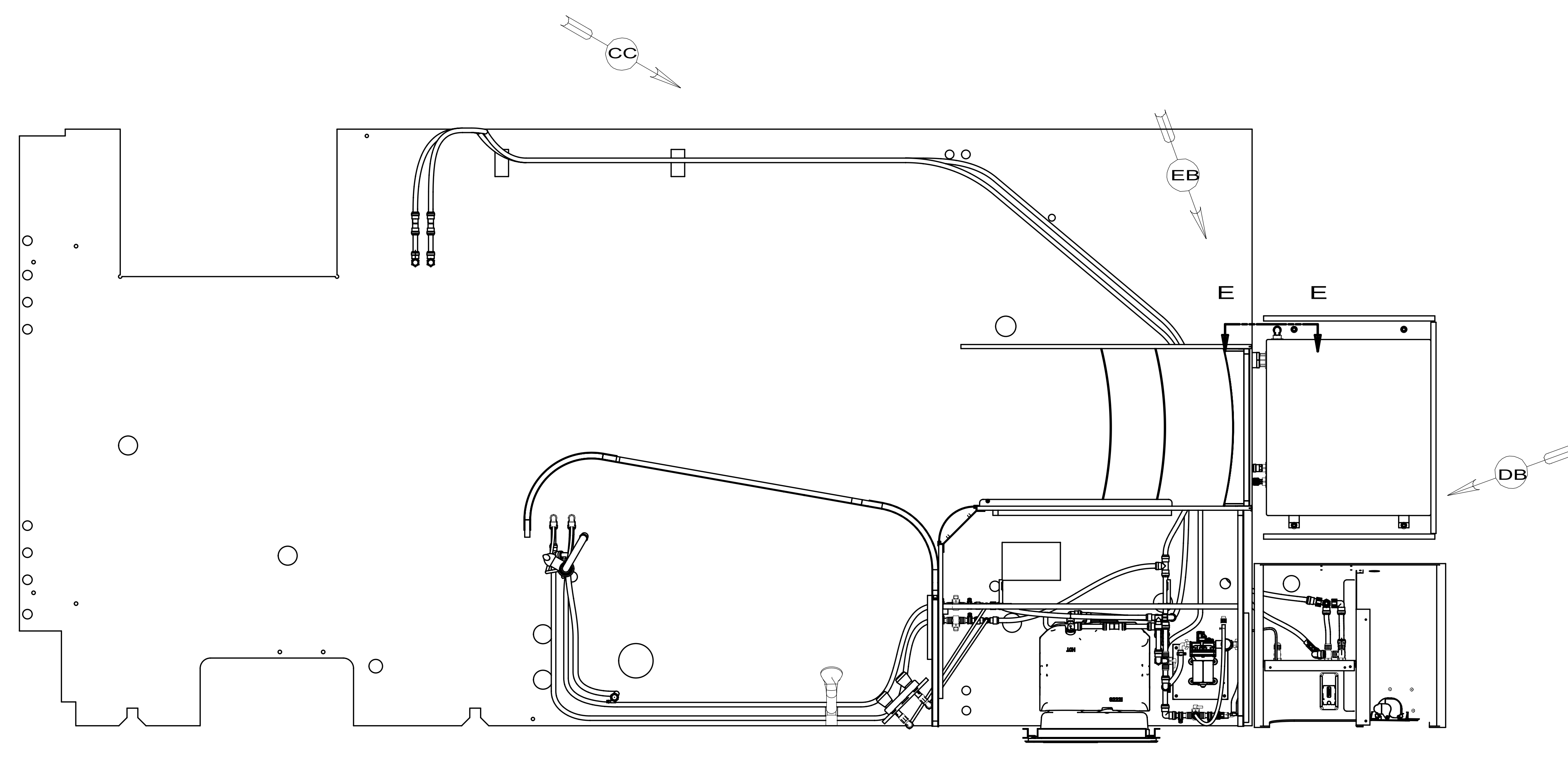
VIEW C

VIEW D

FIRST USED	12 H25T	
TITLE:	DO NOT SCALE DRAWING	
TITLE:	DRAINAGE SYSTEM INSTL	
SHEET 3	PART NO 179068	REV



FIRST USED	12 H25T	
DO NOT SCALE DRAWING		
TITLE: DRAINAGE SYSTEM INSTL		
SHEET 4	PART NO 179068	REV



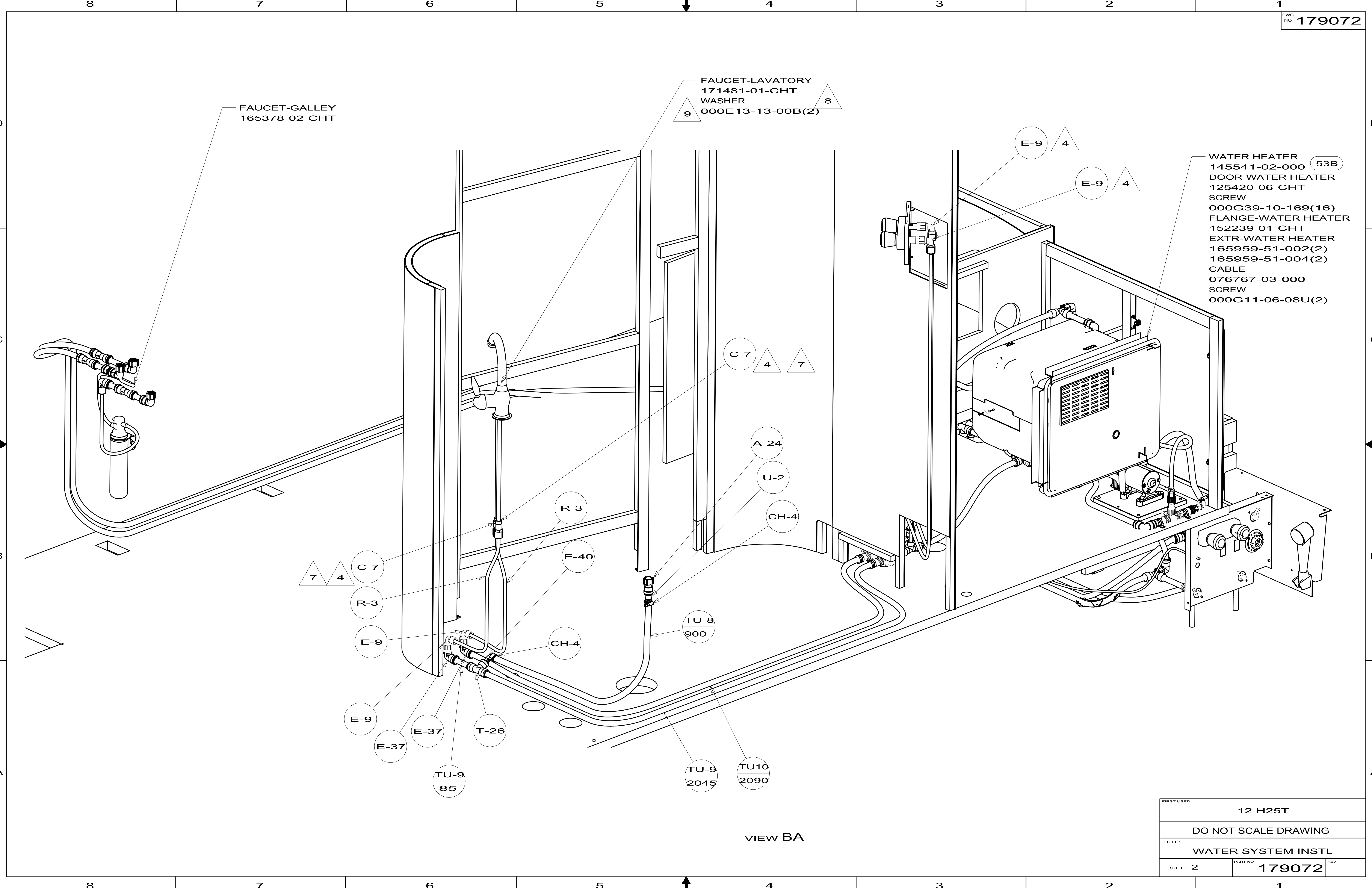
- 9 INSTALL BETWEEN MOUNTING PLATE AND RETAINING NUTS
- 8 LAVATORY FAUCET SPOUT TO BE TURNED 180 DEGREES SO THE ON/OFF HANDLE IS FACING TOWARD THE SHOWER.
- 7 INSTALL CONNECTOR WITH TAPERED END AWAY FROM FAUCET.
- 6 ADD TEFLON TAPE 010405-03-000.
- 5 ADD TEFLON TAPE 010405-02-000.
- 4 ADD TEFLON TAPE 010405-01-000.
- 3 ALL TUBING TO BE SECURED AT 1200 INTERVALS MAXIMUM WITH CLAMP 010495-01-000 AND SCREW 000G67-10-12B OR EQUIVALENT.
- 2. TUBING TO BE INSTALLED WITH SUFFICIENT SLOPE TO PROVIDE DRAINAGE TO NEAREST VALVE.
- 1. PLASTIC FITTINGS TO BE SEALED WITH SEALANT 084456-01-000.

- 1J4 EXT WASH STATION - WITHOUT
- 501 WATER PURIFIER WITHOUT
- 29B WATER PURIFIER
- 64R EXTERIOR WASH STATION

		COPYRIGHT 2011 WINNEBAGO INDUSTRIES, INC.
DTR	ORIG. DATE	
CHKR	ALL DIMENSIONS ARE IN MILLIMETERS	
P.E.		
M.E.	FIRST USED	
DSNR	12 H25T	
UNSPECIFIED TOLERANCES ARE:		
WHOLE DIM (X)	: 3	
ONE-PLACE (X.X)	: 1.5	
TWO-PLACE (X.XX)	: 0.50	
ANGLE	: 1°	
THIRD ANGLE PROJECTION		
DO NOT SCALE DRAWING		REFER TO ES0018 FOR FASTENER TIGHTENING GUIDELINES
TITLE: WATER SYSTEM INSTL		
SHEET 1 OF 5	PART NO	179072
REF:	1	

FOR WATER CALLOUTS SEE DWG NO 116230-01-000

NOTES:



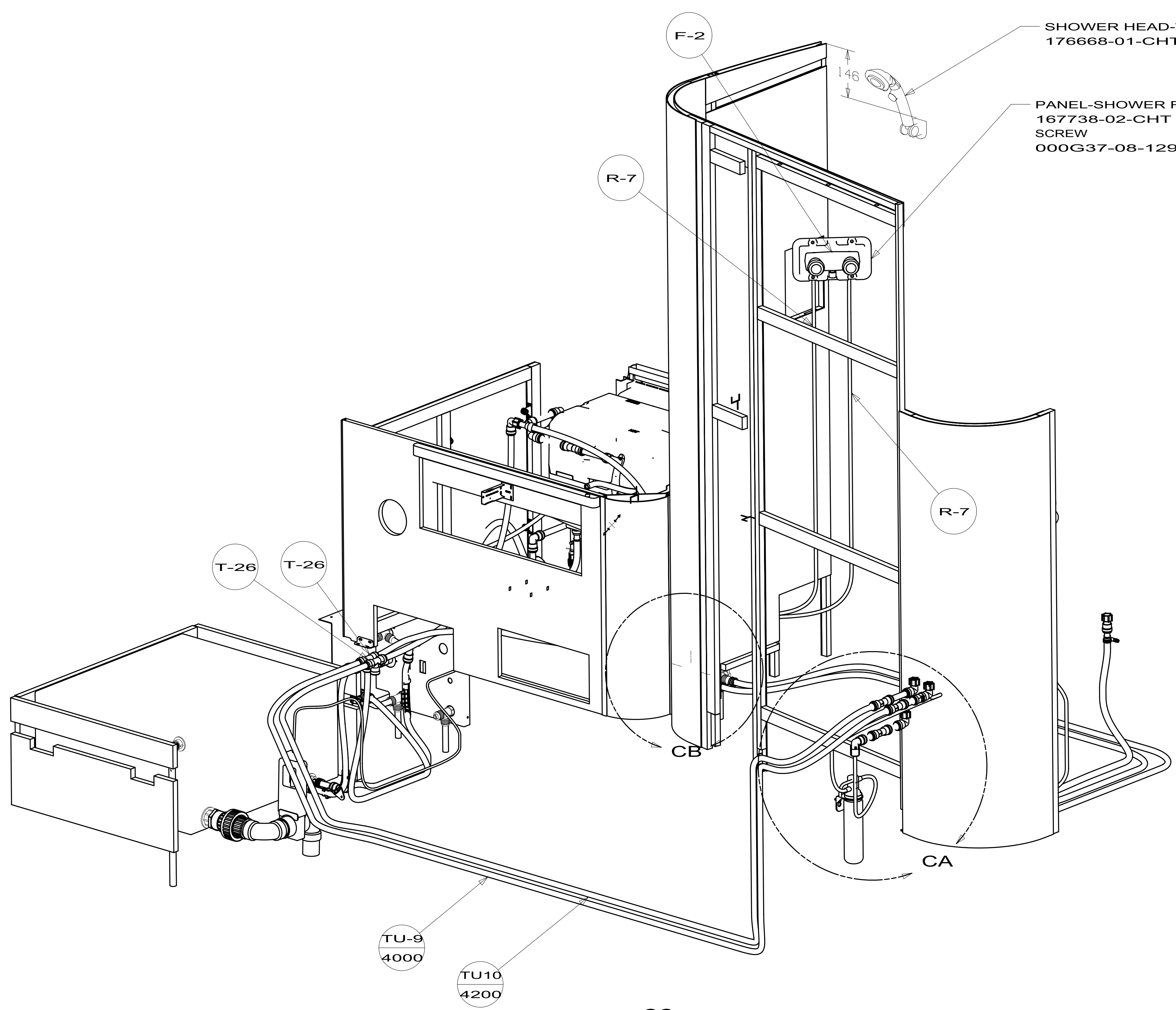
FAUCET-GALLEY
165378-02-CHT

FAUCET-LAVATORY
171481-01-CHT
WASHER
000E13-13-00B(2)

WATER HEATER
145541-02-000 (53B)
DOOR-WATER HEATER
125420-06-CHT
SCREW
000G39-10-169(16)
FLANGE-WATER HEATER
152239-01-CHT
EXTR-WATER HEATER
165959-51-002(2)
165959-51-004(2)
CABLE
076767-03-000
SCREW
000G11-06-08U(2)

VIEW BA

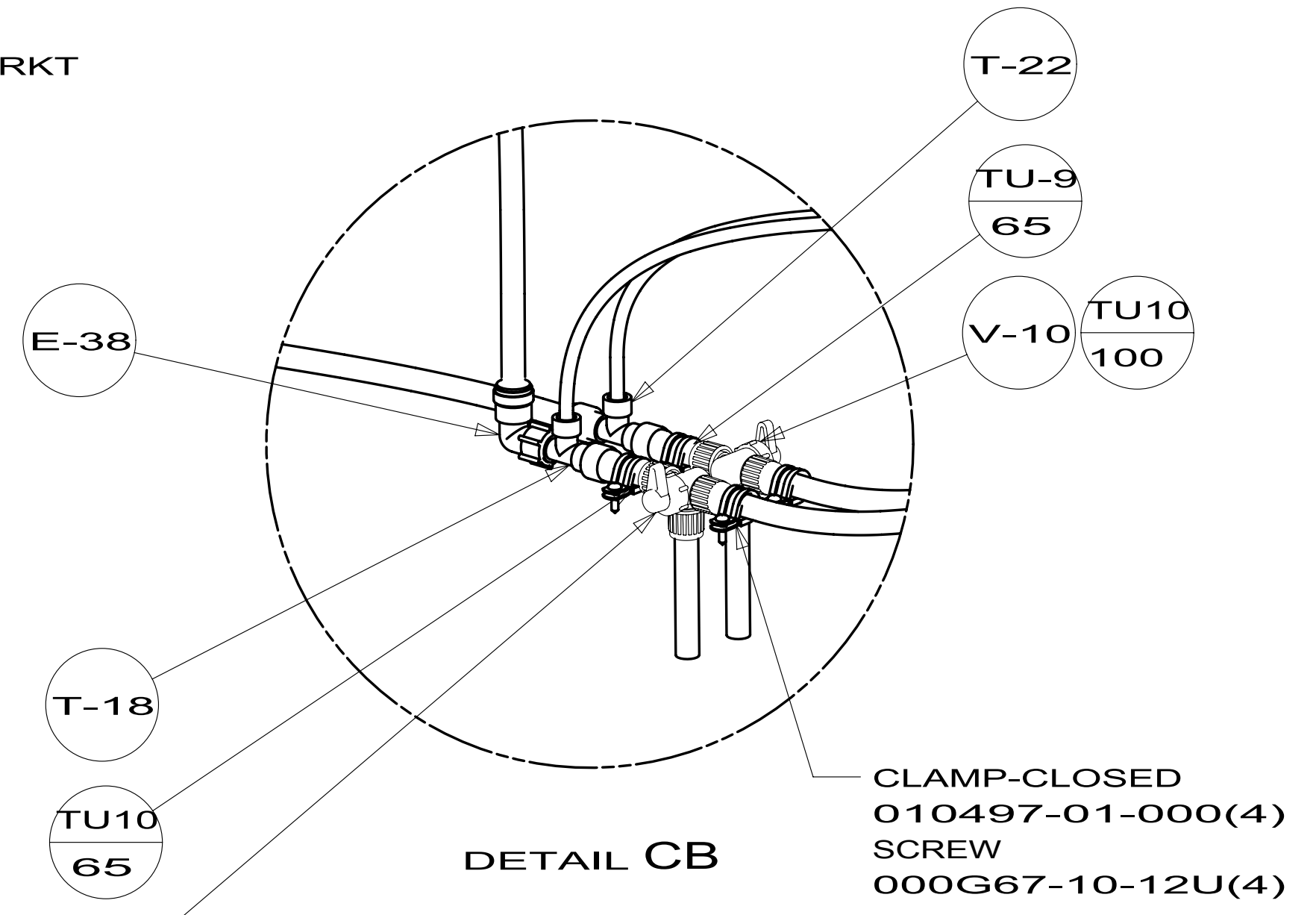
FIRST USED	12 H25T	
TITLE:	DO NOT SCALE DRAWING	
	WATER SYSTEM INSTL	
SHEET 2	PART NO 179072	REV



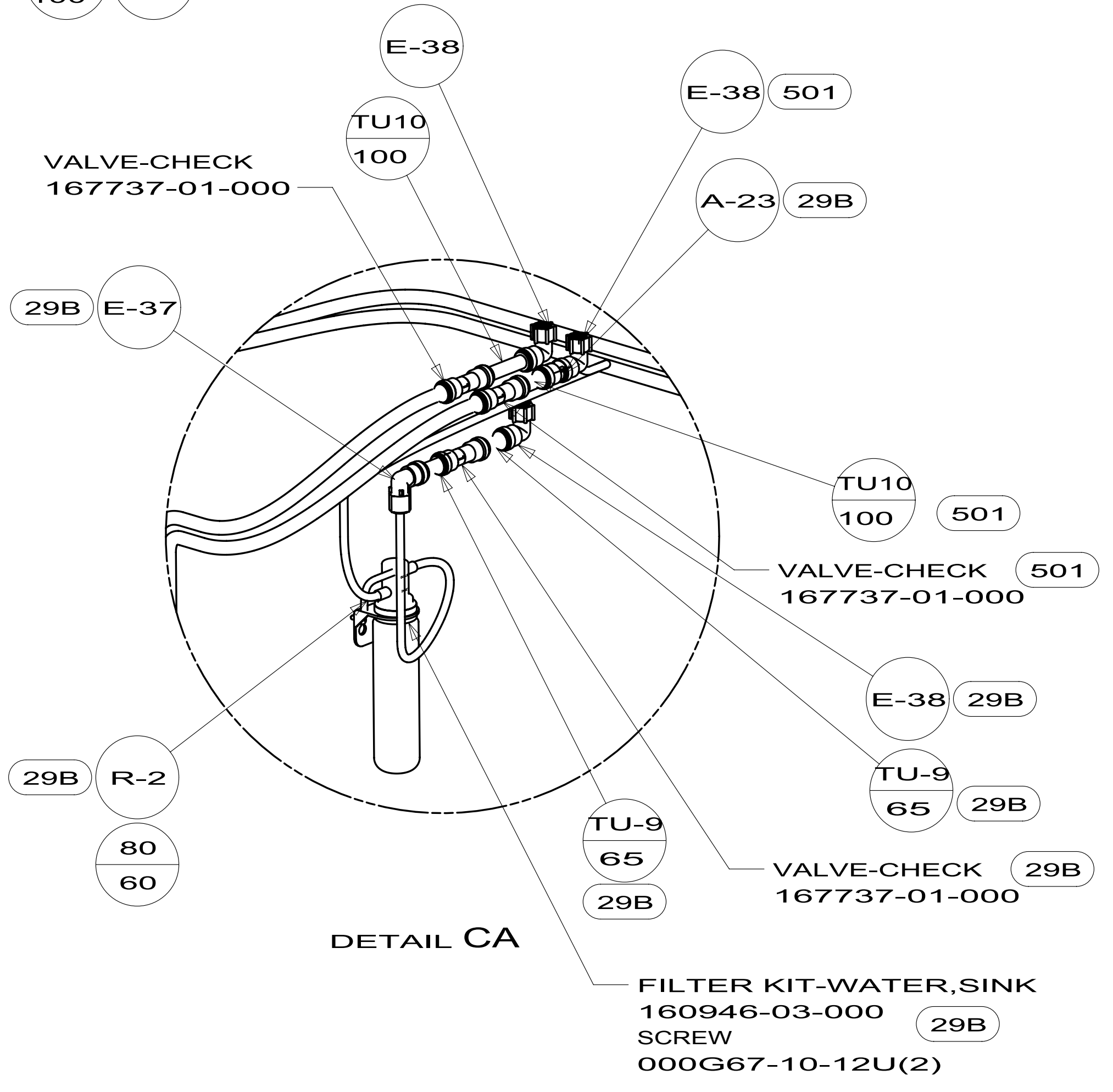
VIEW CC

SHOWER HEAD-W/HOSE & BRKT
176668-01-CHT

PANEL-SHOWER FAUCET
167738-02-CHT
SCREW
000G37-08-129(4)

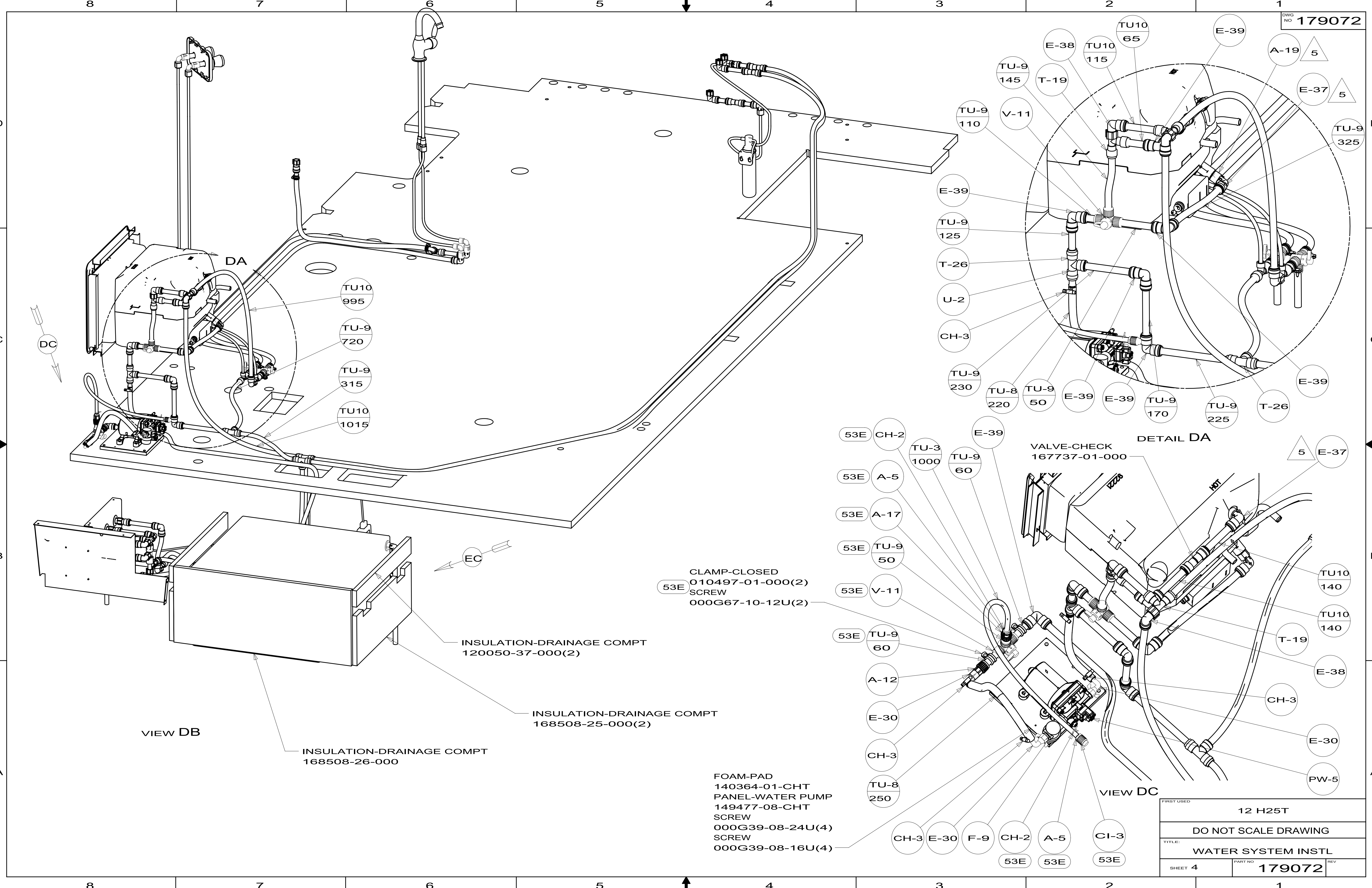


DETAIL CB



DETAIL CA

FIRST USED	12 H25T	
TITLE:	DO NOT SCALE DRAWING	
	WATER SYSTEM INSTL	
SHEET 3	PART NO 179072	REV



DC

DA

VIEW DB

VALVE-CHECK
167737-01-000

DETAIL DA

VIEW DC

CLAMP-CLOSED
010497-01-000(2)
SCREW
000G67-10-12U(2)

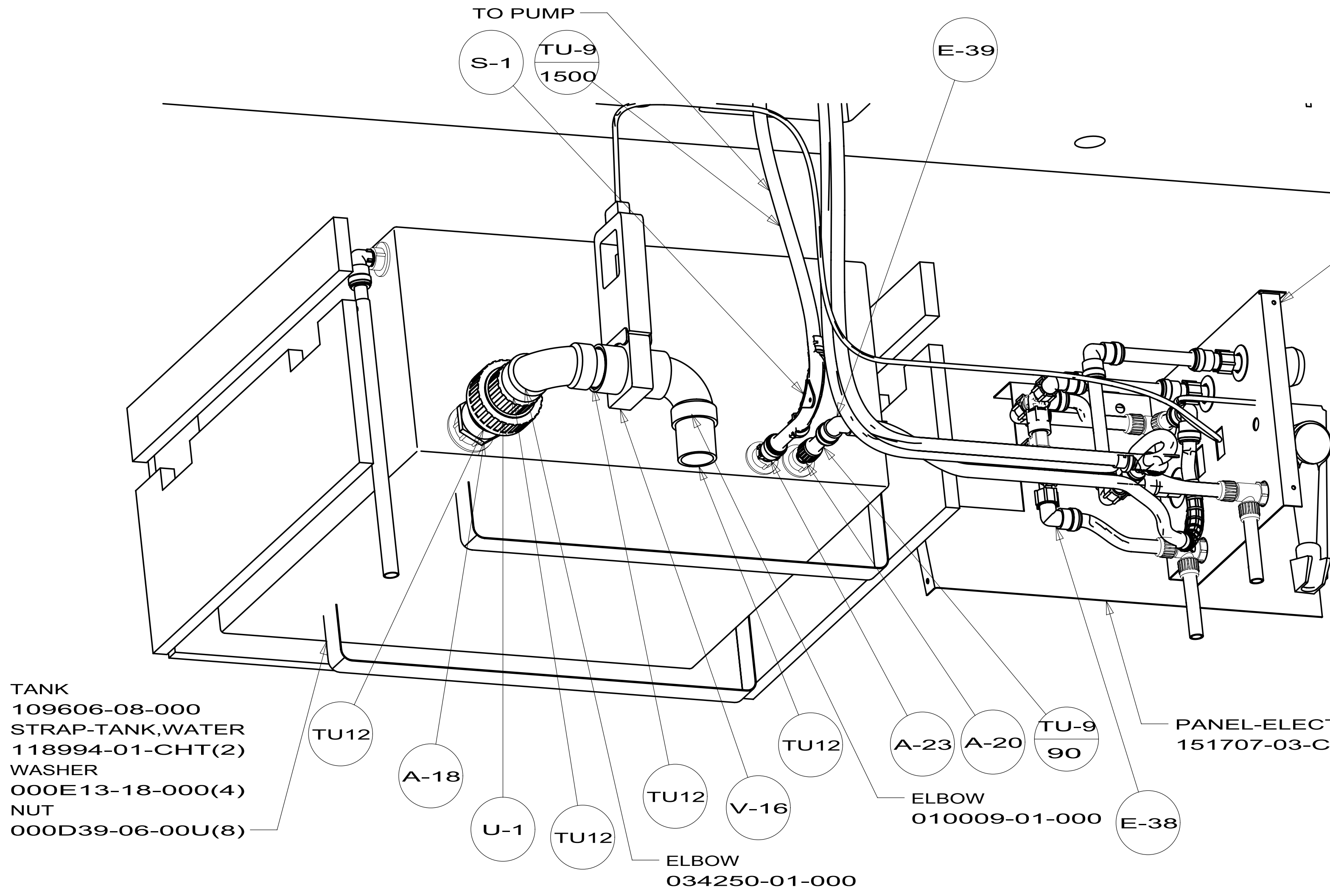
INSULATION-DRAINAGE COMPT
120050-37-000(2)

INSULATION-DRAINAGE COMPT
168508-25-000(2)

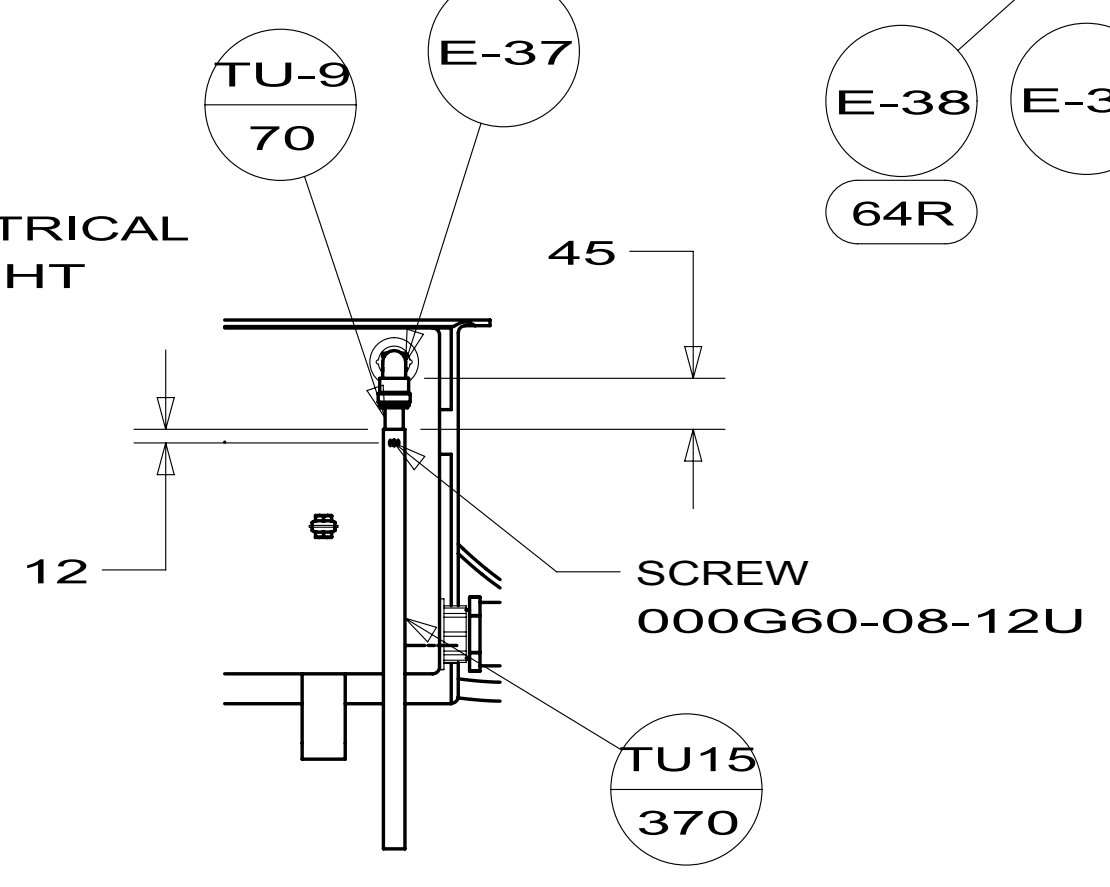
INSULATION-DRAINAGE COMPT
168508-26-000

FOAM-PAD
140364-01-CHT
PANEL-WATER PUMP
149477-08-CHT
SCREW
000G39-08-24U(4)
SCREW
000G39-08-16U(4)

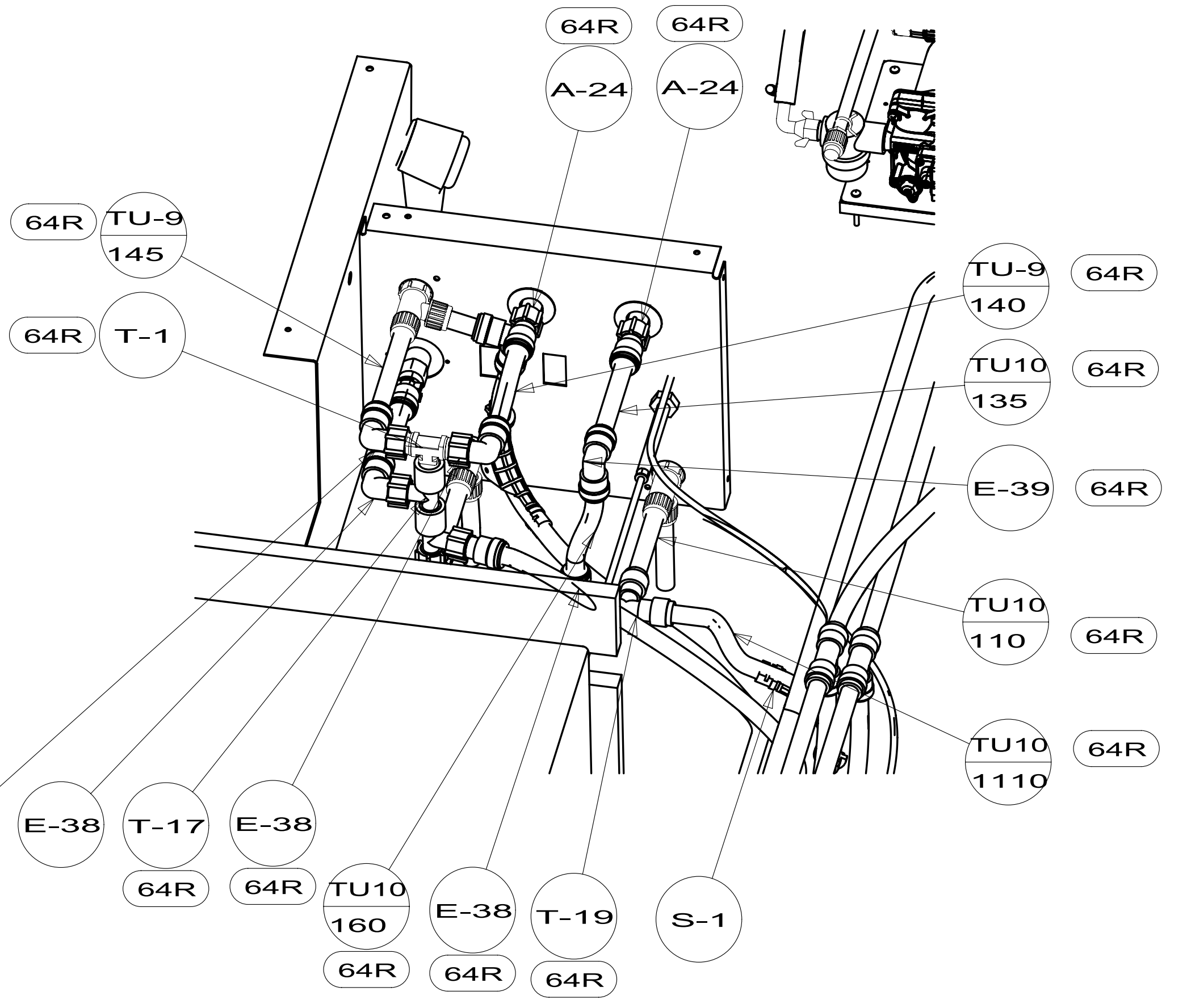
FIRST USED	12 H25T	
DO NOT SCALE DRAWING		
TITLE: WATER SYSTEM INSTL		
SHEET 4	PART NO 179072	REV



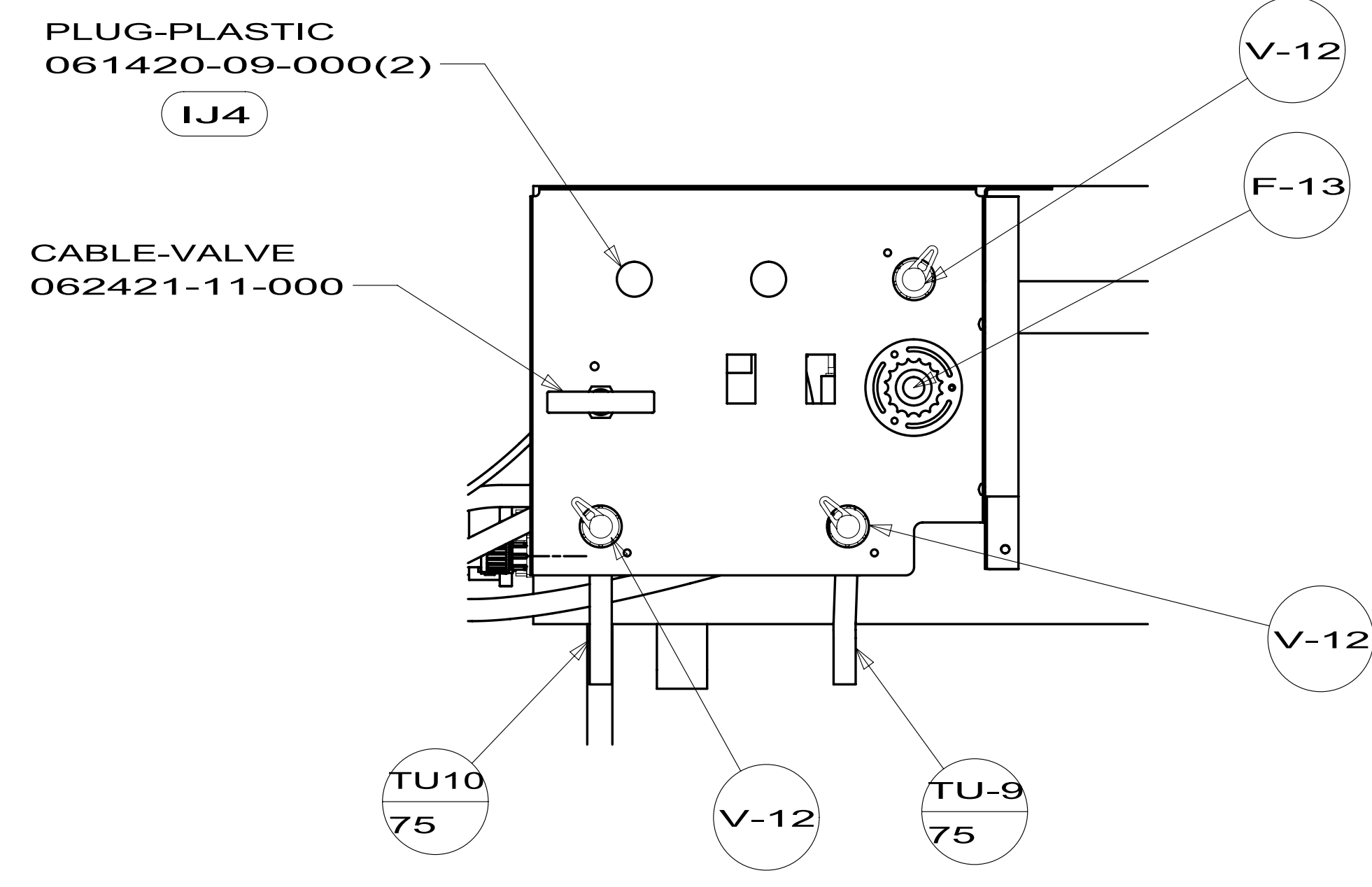
VIEW EC



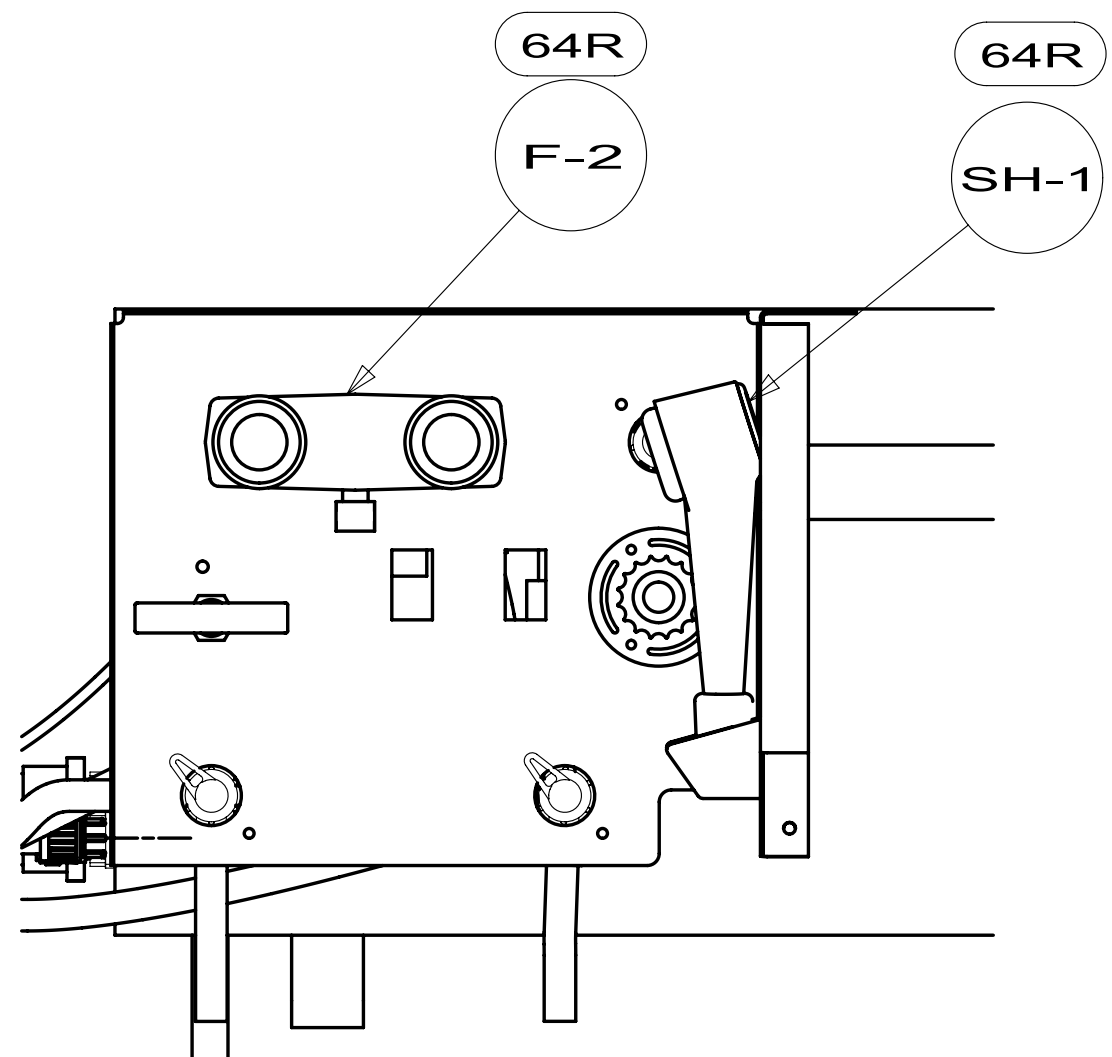
SECTION E-E (ROTATED)



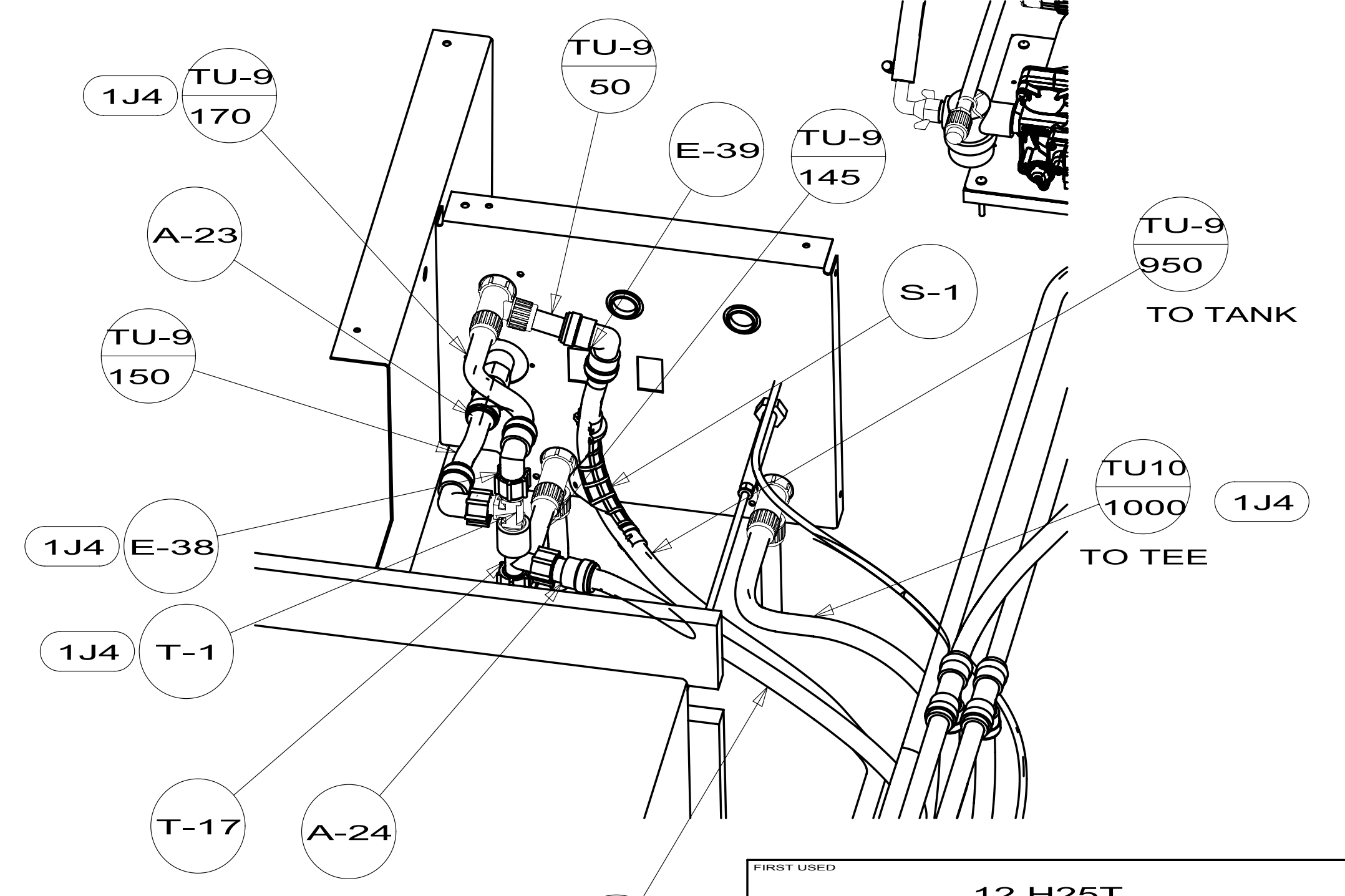
VIEW EB (EXTERIOR SHOWER SHOWN)



VIEW EA (EXTERIOR SHOWER WITHOUT SHOWN)



VIEW EA (EXTERIOR SHOWER SHOWN)



VIEW EB (EXTERIOR SHOWER WITHOUT SHOWN)

FIRST USED	12 H25T	
TITLE:	DO NOT SCALE DRAWING	
SHEET 5	PART NO	179072
	REV	