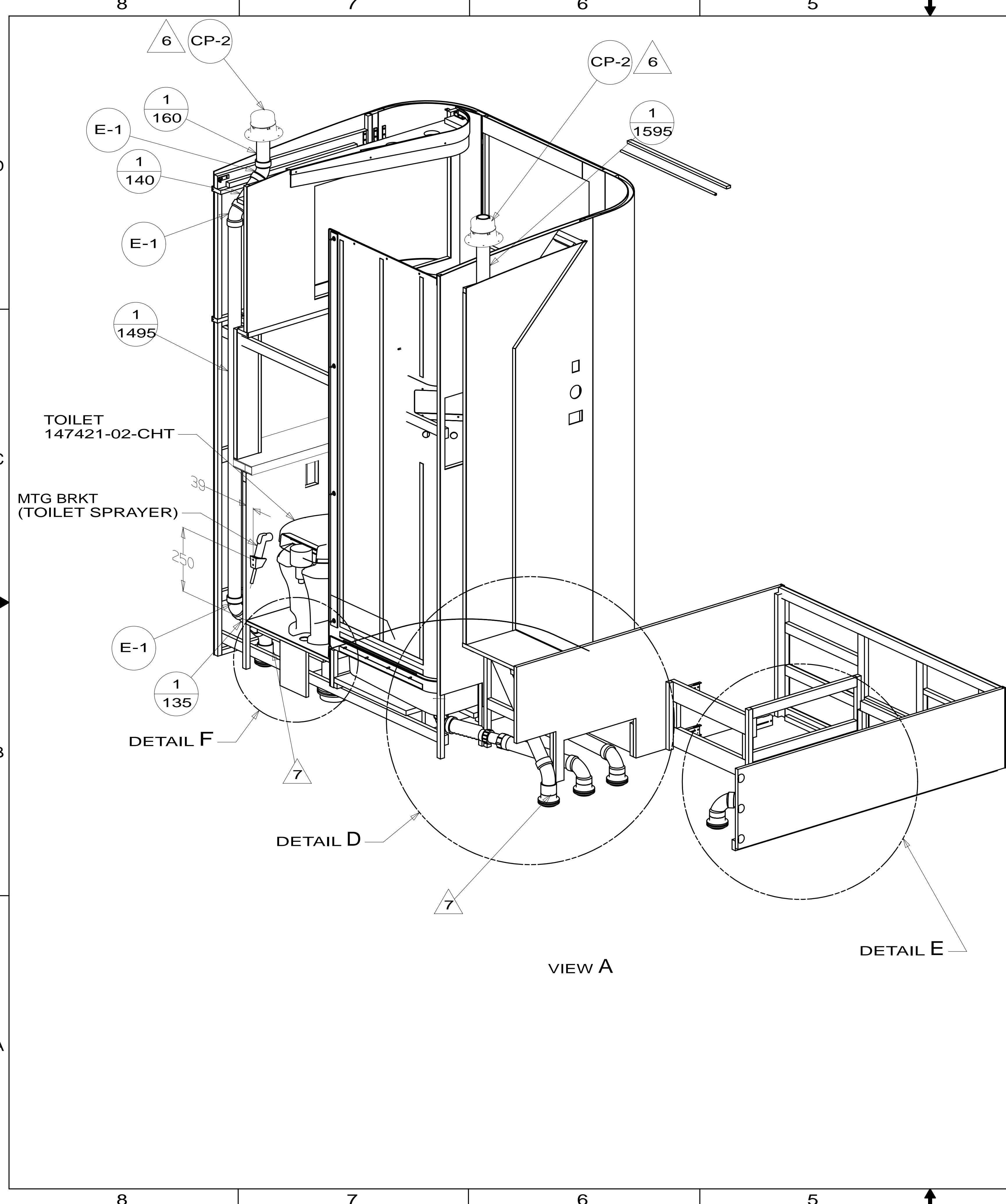


- NOTES:
1. SLOPE OF HORIZONTAL PIPING TO BE MINIMUM OF 3 PER 305 mm.
 2. SLOPE OF TRAP ARM MUST BE 6 PER 305 mm.
 3. ALL PIPE AND FITTINGS TO BE ASSEMBLED WITH SOLVENT 004020-01-000 (USA), 004020-02-000 (CAN)
 4. SECURE DRAINAGE PIPES TO CABINET USING WIRE TIE 108046-02-000, AND SCREW 000G67-10-12B AT INTERVALS OF NOT MORE THAN 4 FEET APART.
 5. SEAL AROUND SHOWER WITH SILICONE.
 6. VENT PIPE MUST PROJECT 51 MIN AND 64 MAX ABOVE ROOF FOR PROPER FIT AND FUNCTION. ADD S-1 (116666-01-CHT SEAL-VENT PIPE) AROUND PIPE ON ROOF BEFORE VENT CAP IS INSTALLED.
 7. SECURE VENT PIPE TO FLOOR WITH CLAMP 062401-02-000 (2), SCREW 000G67-10-12B (2), BRACKET 136878-01-CHT (2).
 8. U-LOCKS TO BE INSTALLED BEFORE THE FRAME ASM IS BOLTED DOWN TO THE CHASSIS AND BEFORE THE SEAL PLANES ARE INSTALLED.
 9. WATERLESS P-TRAP MUST BE INSTALLED WITH THE RIBS POINTING DOWN
 10. PREP THE SURFACE PER MANUFACTURERS INSTRUCTIONS BEFORE APPLYING THE HEATING PAD.

- 1JD DRAINAGE SYSTEM-HEATED-W/O
- 23T DRAINAGE SYSTEM-HEATED
- 464 TOILET
- 265 CODES/STANDARDS-CSA/CMVSS
- 1B1 CODES/STANDARDS USA

		COPYRIGHT 2012 WINNEBAGO INDUSTRIES, INC.	
DFT-ORIG	ORIG. DATE	ALL DIMENSIONS ARE IN MILLIMETERS	
CHKR			
P.E.			
M.E.	FIRST USED		
DSNR		12 H25Q	
UNSPECIFIED TOLERANCES ARE:		MATERIAL:	
WHOLE DIM (X)	: 3		
ONE-PLACE (X.X)	: 1.5		
TWO-PLACE (X.XX)	: 0.50		
ANGLE	: 1°		
THIRD ANGLE PROJECTION			
DO NOT SCALE DRAWING		REFER TO ES0018 FOR FASTENER TIGHTENING GUIDELINES	
TITLE: DRAINAGE SYSTEM INSTL			
SHEET 1 OF 4	PART NO	178552	REV
REF:		1	

FOR DRAINAGE CALLOUTS SEE DWG NO 116229-01-000

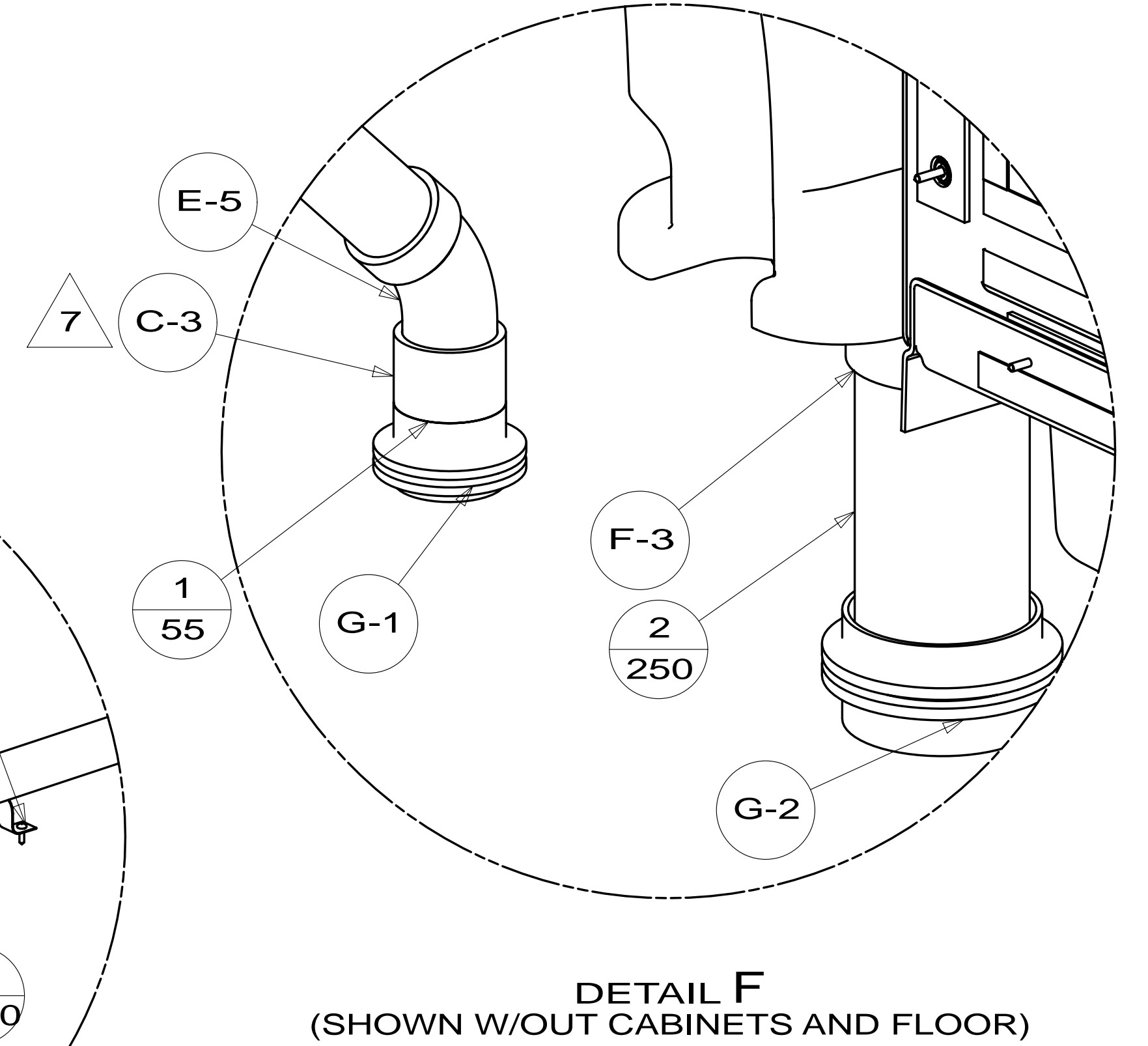
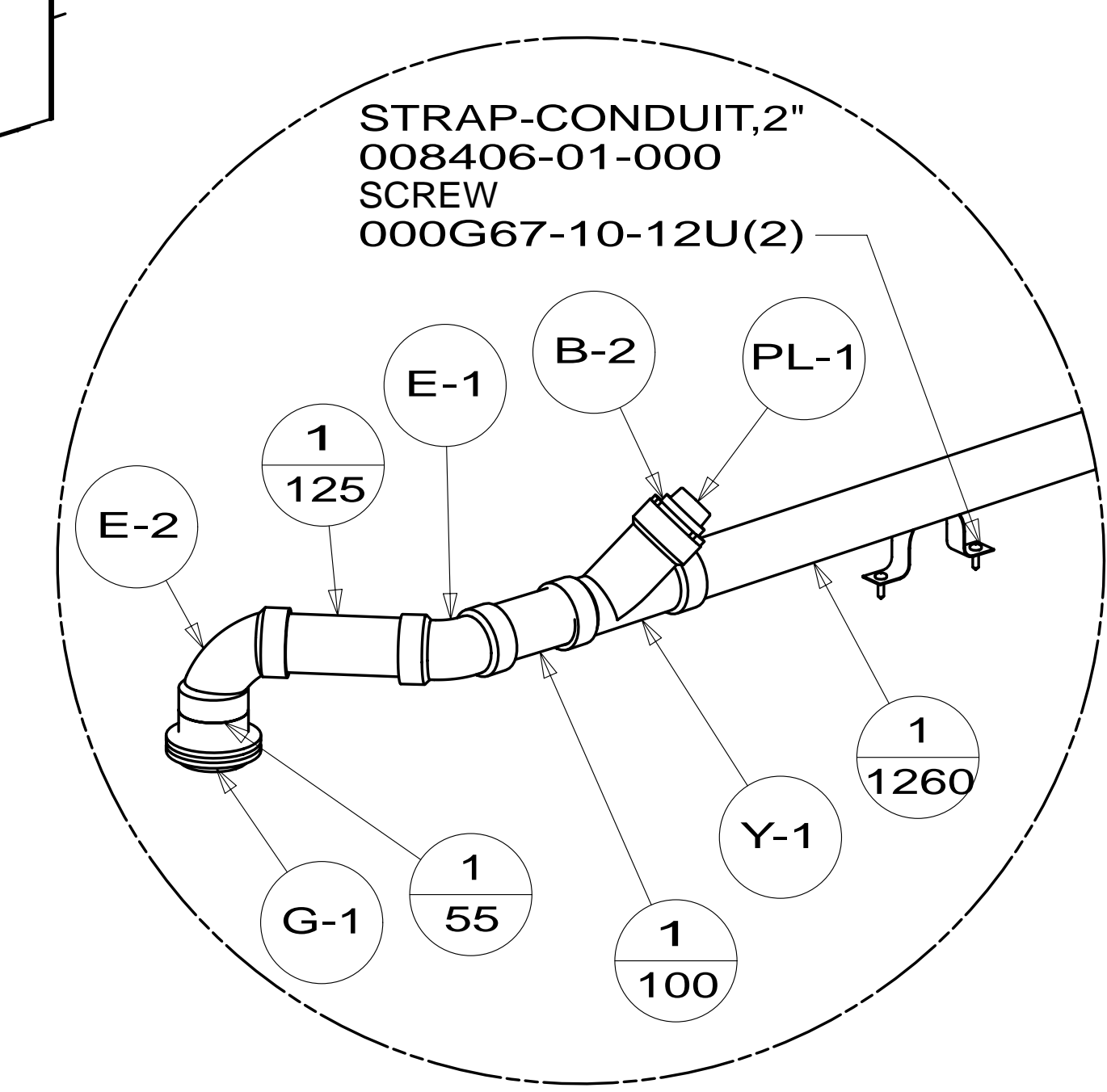
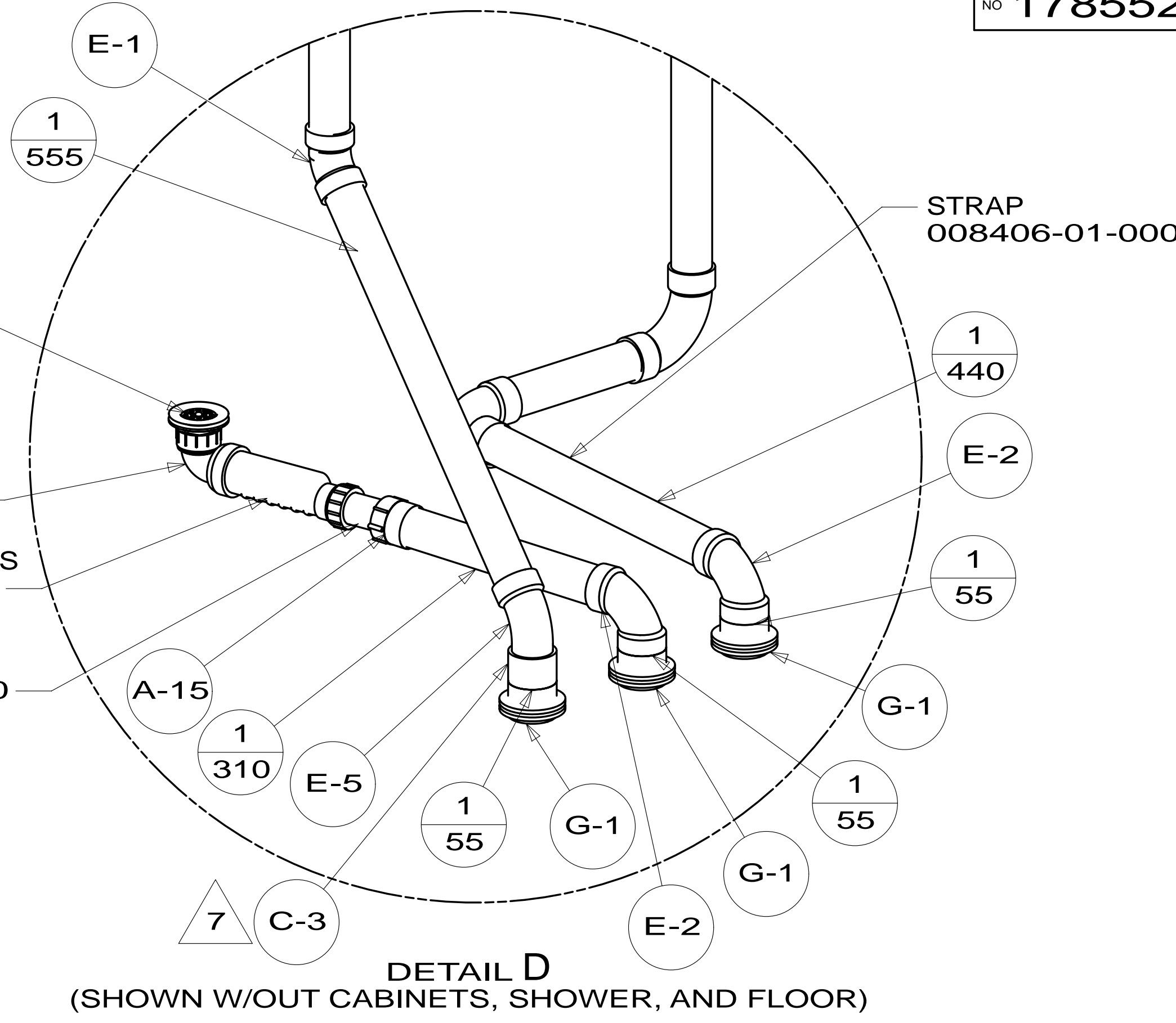


SHOWER INSTL
174125-01-000
STRAINER
066440-01-000

ADAPTER
165406-02-000

TRAP-WATERLESS
165406-01-000

PIPE-STAND
130234-02-000

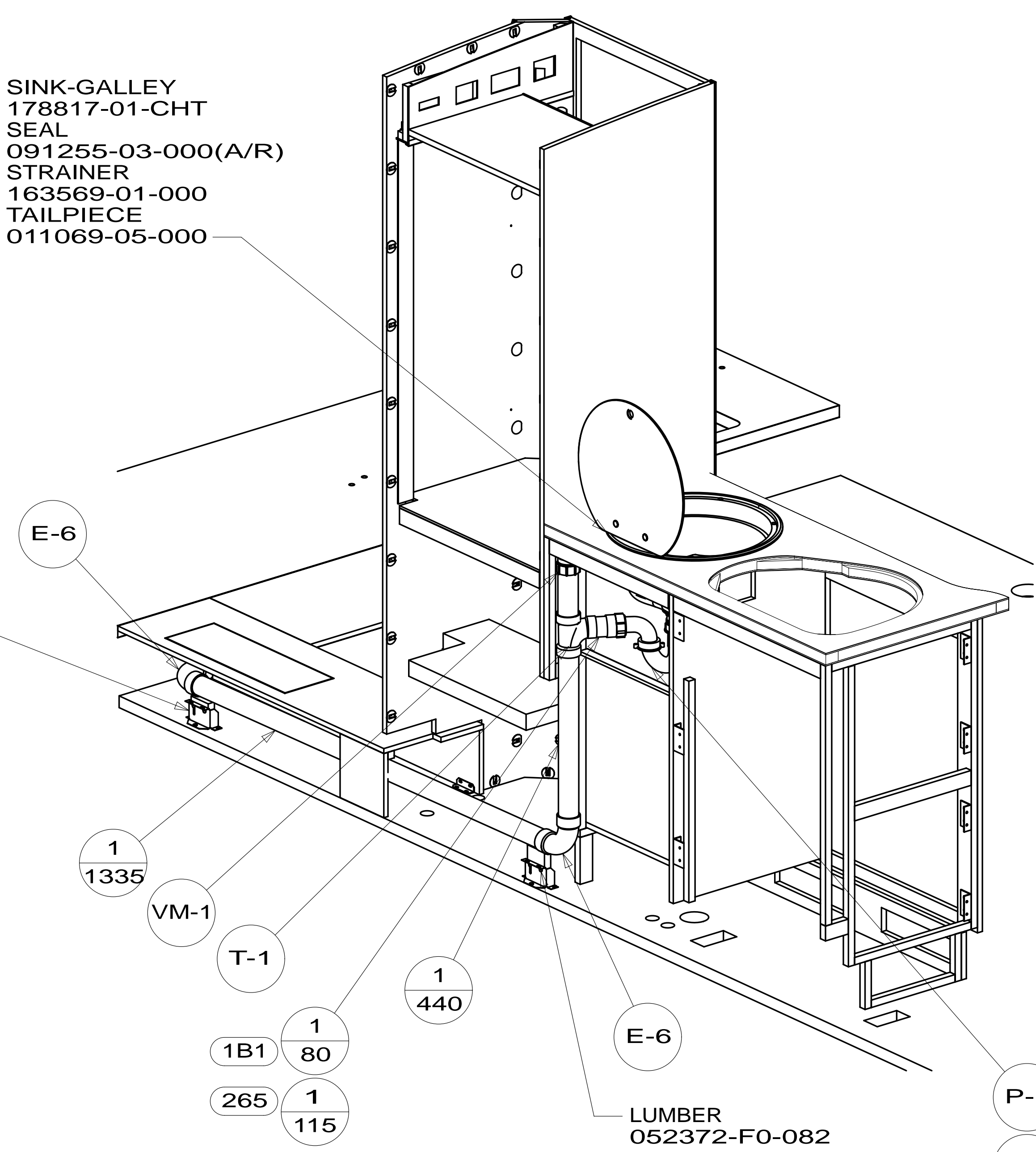


FIRST USED	12 H25Q	
TITLE:	DO NOT SCALE DRAWING	
TITLE:	DRAINAGE SYSTEM INSTL	
SHEET 2	PART NO	178552
	REV	

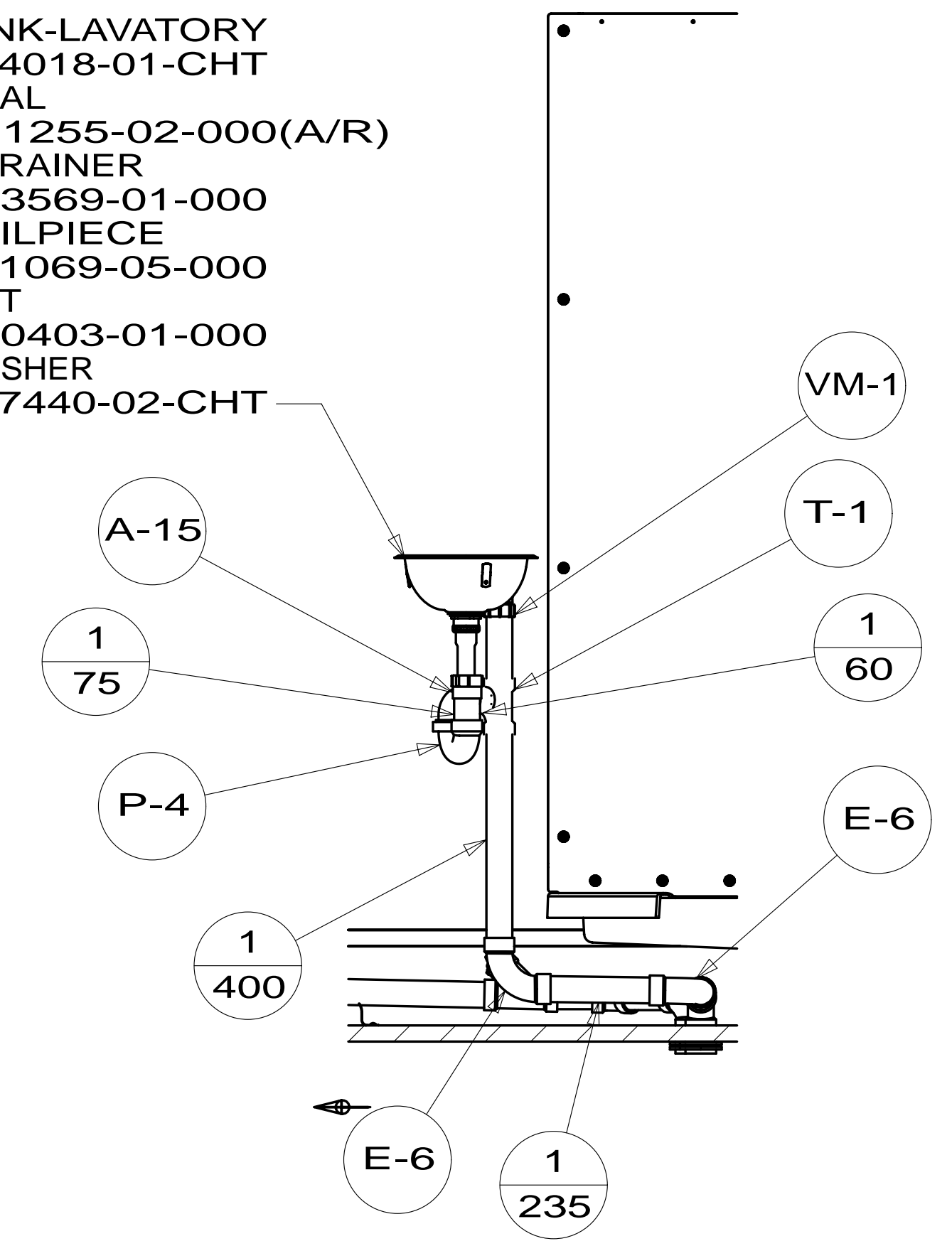
SINK-GALLEY
178817-01-CHT
SEAL
091255-03-000(A/R)
STRAINER
163569-01-000
TAILPIECE
011069-05-000

BRACKET-DRAIN,SUPPORT
156189-01-CHT(2)
LUMBER
052372-F0-062
SCREW
000G67-10-12U(10)

SINK-LAVATORY
174018-01-CHT
SEAL
091255-02-000(A/R)
STRAINER
163569-01-000
TAILPIECE
011069-05-000
NUT
130403-01-000
WASHER
127440-02-CHT

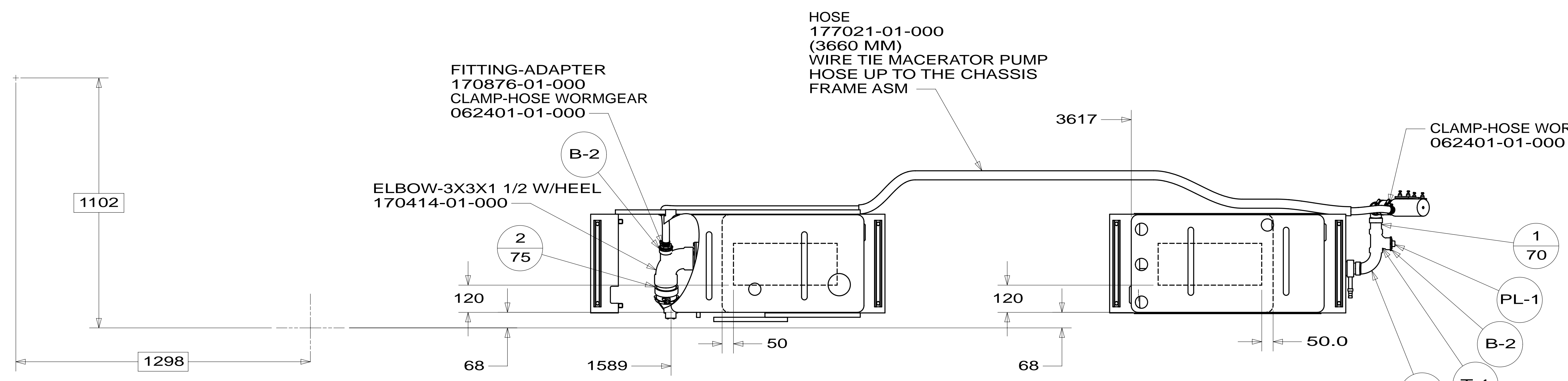


VIEW B

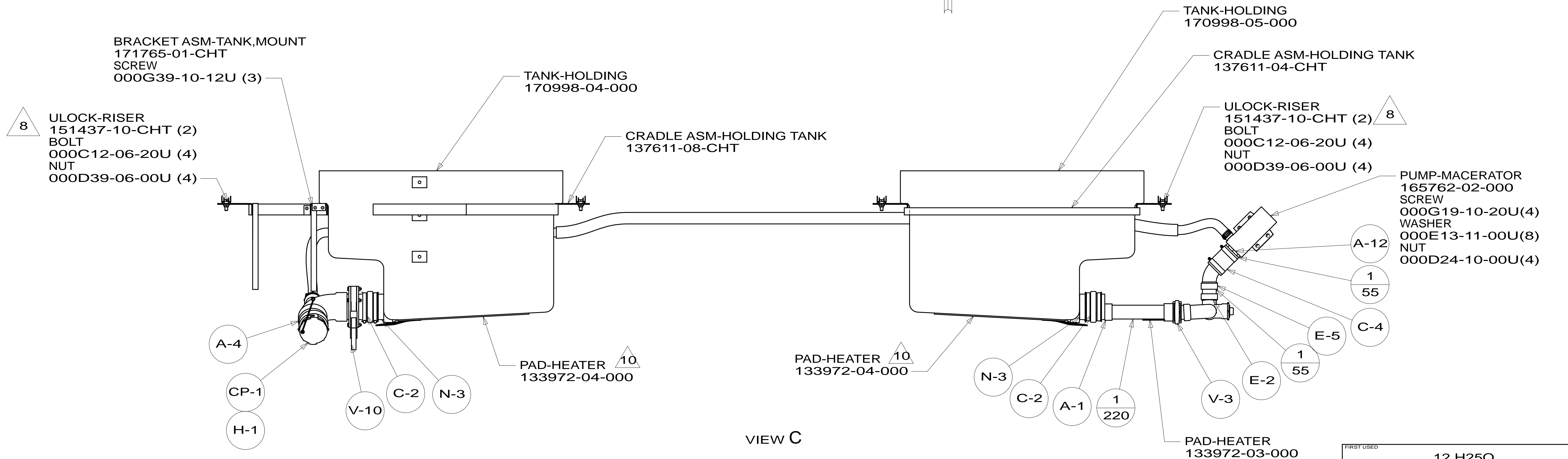


SECTION G-G
(ROTATED)
(SHOWN W/OUT CABINETS)

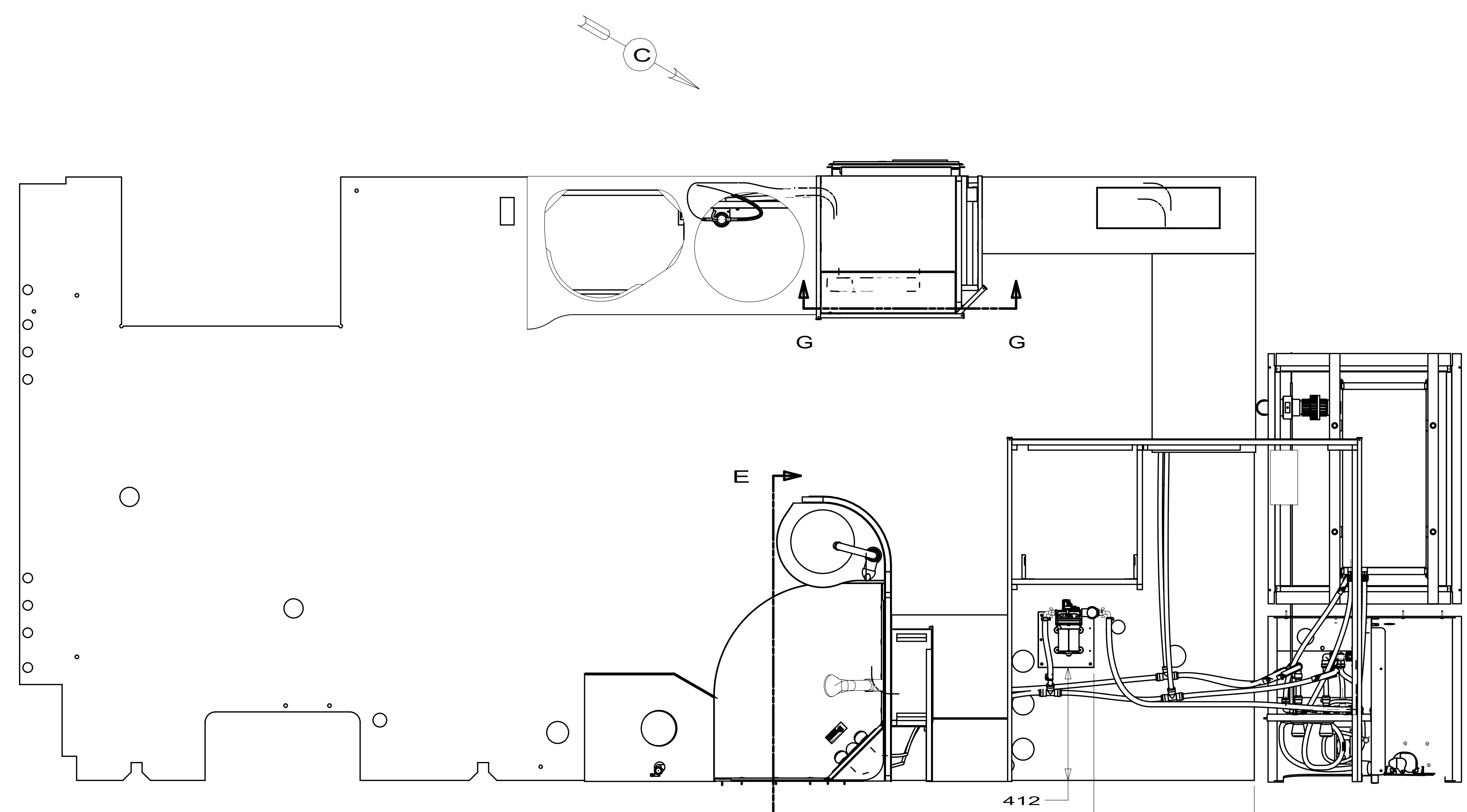
FIRST USED	12 H25Q		
TITLE:	DO NOT SCALE DRAWING		
	DRAINAGE SYSTEM INSTL		
SHEET 3	PART NO	178552	REV



TOP VIEW SHOWING TANKS AND DRAINS



FIRST USED	12 H25Q	
TITLE:	DO NOT SCALE DRAWING	
	DRAINAGE SYSTEM INSTL	
SHEET 4	PART NO	178552
	REV	



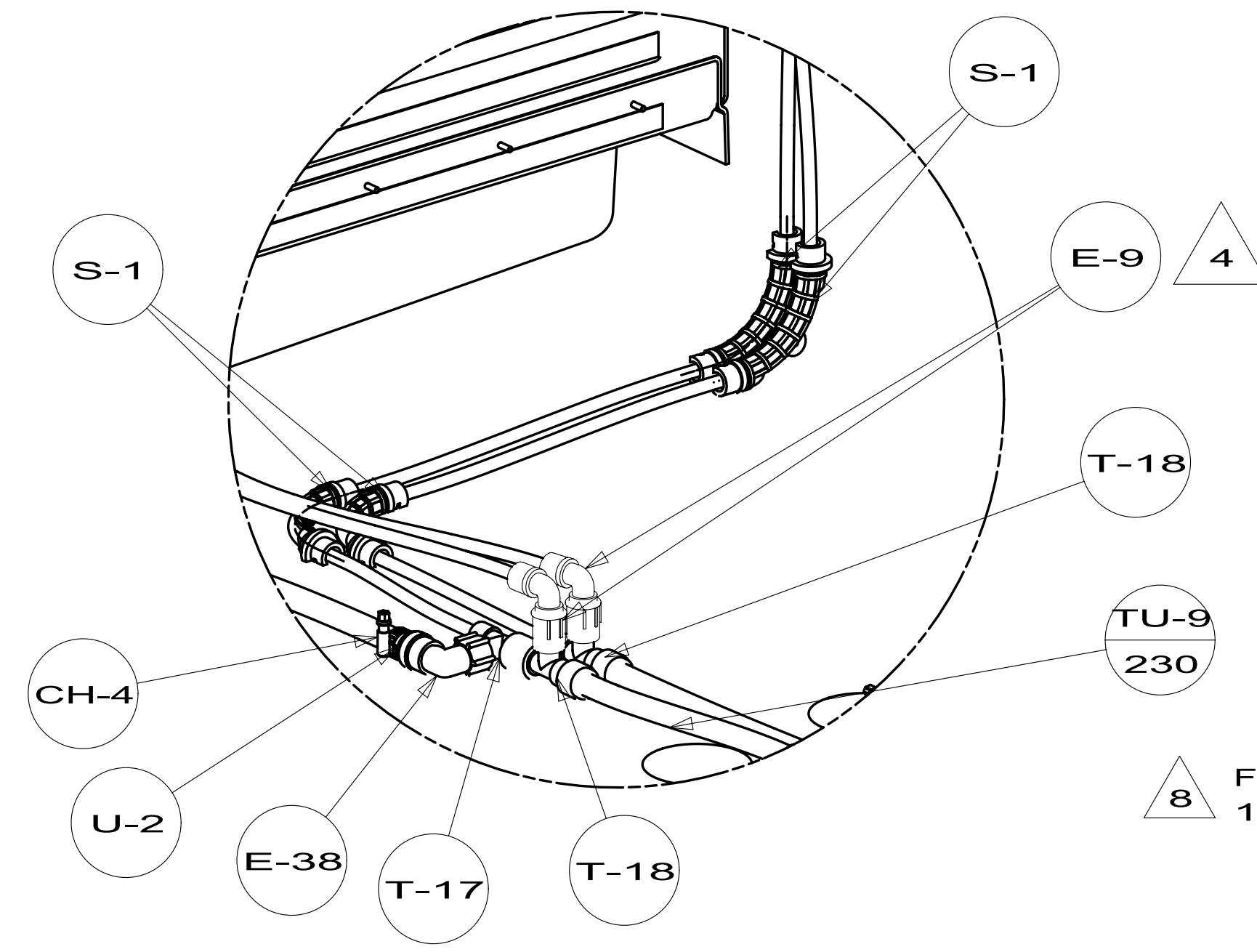
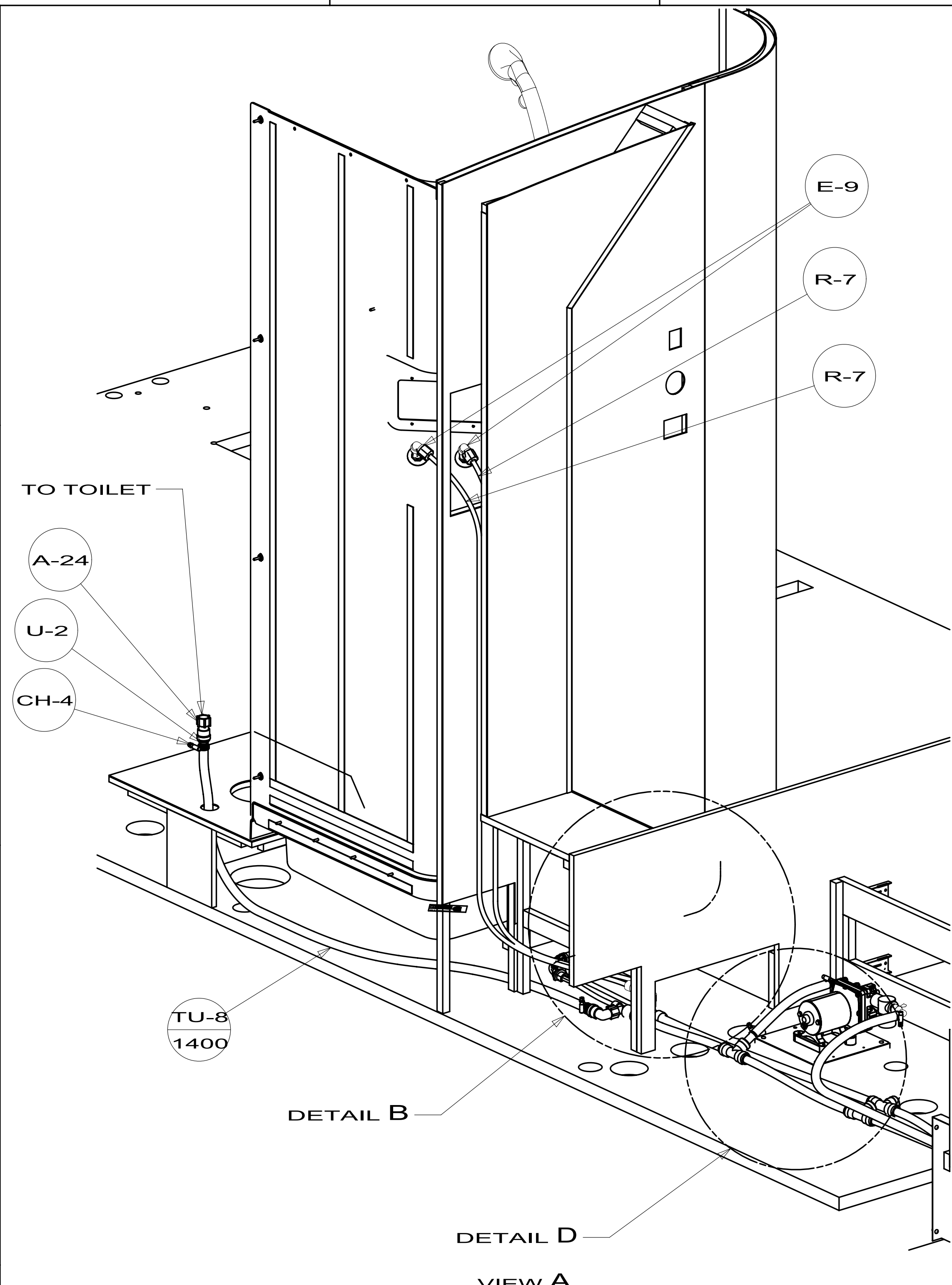
- 9 INSTALL BETWEEN MOUNTING PLATE AND RETAINING NUTS.
 - 8 LAVATORY FAUCET SPOUT TO BE TURNED 180 DEGREES SO THE ON/OFF HANDLE IS FACING TOWARD THE SHOWER.
 - 7 INSTALL CONNECTOR WITH TAPERED END AWAY FROM FAUCET.
 - 6 ADD TEFLON TAPE 010405-03-000.
 - 5 ADD TEFLON TAPE 010405-02-000.
 - 4 ADD TEFLON TAPE 010405-01-000.
 - 3 ALL TUBING TO BE SECURED AT 1200 INTERVALS MAXIMUM WITH CLAMP 010495-01-000 AND SCREW 000G67-10-12B OR EQUIVALENT.
2. TUBING TO BE INSTALLED WITH SUFFICIENT SLOPE TO PROVIDE DRAINAGE TO NEAREST VALVE.
1. PLASTIC FITTINGS TO BE SEALED WITH SEALANT 084456-01-000.

- 1J4 EXT WASH STATION - WITHOUT
- 501 WATER PURIFIER WITHOUT
- 29B WATER PURIFIER
- 64R EXTERIOR WASH STATION

		COPYRIGHT 2011 WINNEBAGO INDUSTRIES, INC.
DTR	ORIG. DATE	
CHKR	ALL DIMENSIONS ARE IN MILLIMETERS	
P.E.		
M.E.	FIRST USED	
DSNR	12 H25Q	
UNSPECIFIED TOLERANCES ARE: WHOLE DIM (X) : 3 ONE-PLACE (X.X) : 1.5 TWO-PLACE (X.XX) : 0.50 ANGLE : 1°		MATERIAL:
THIRD ANGLE PROJECTION		
DO NOT SCALE DRAWING		REFER TO ES0018 FOR FASTENER TIGHTENING GUIDELINES
TITLE: WATER SYSTEM INSTL		
SHEET 1 OF 5	PART NO 178558	REV
REF:	1	8/31/2011

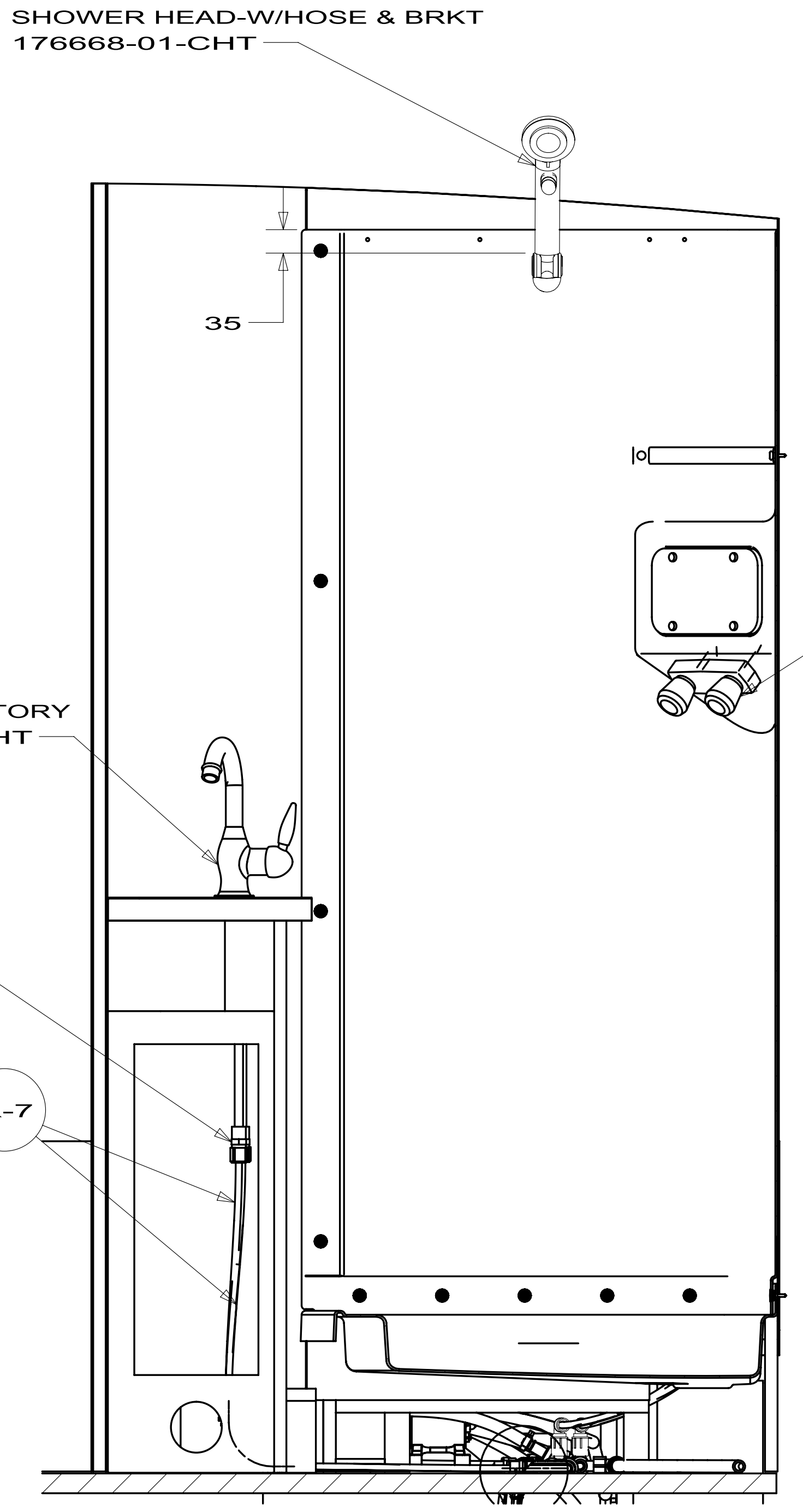
FOR WATER CALLOUTS SEE DWG NO 116230-01-000

NOTES:

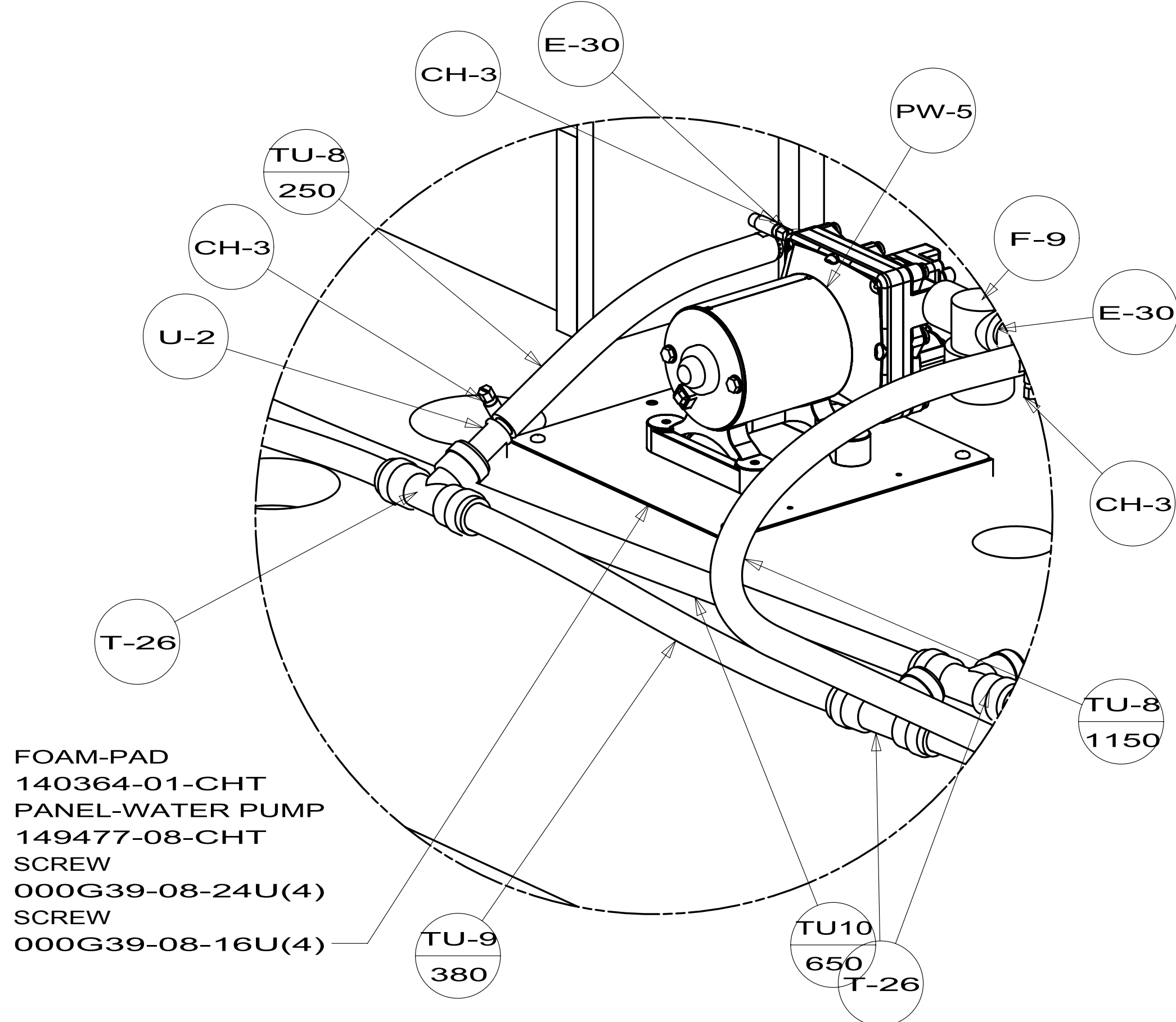


DETAIL B
(SHOWN W/OUT CABINETS)

8 FAUCET-LAVATORY
171481-01-CHT



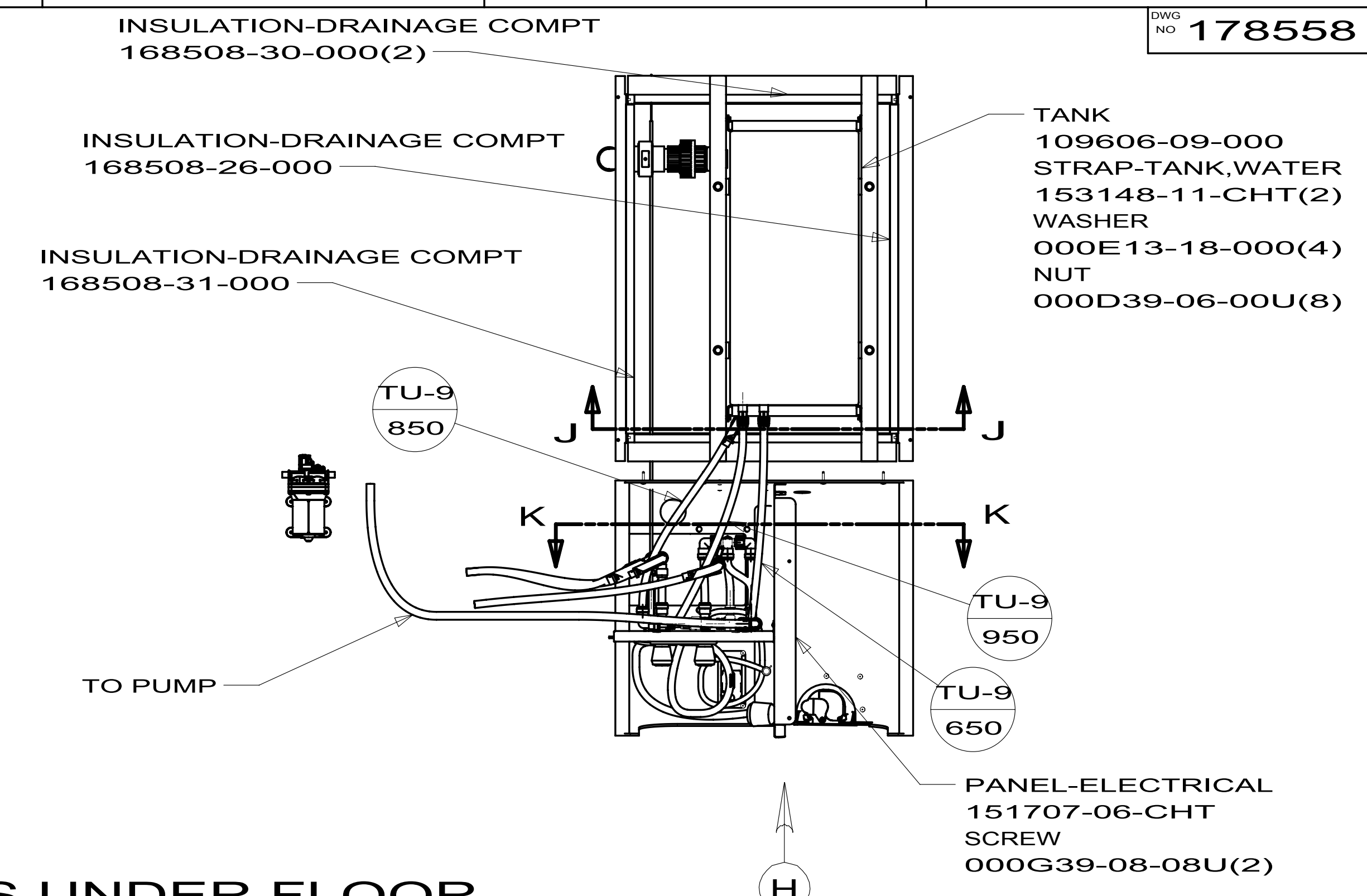
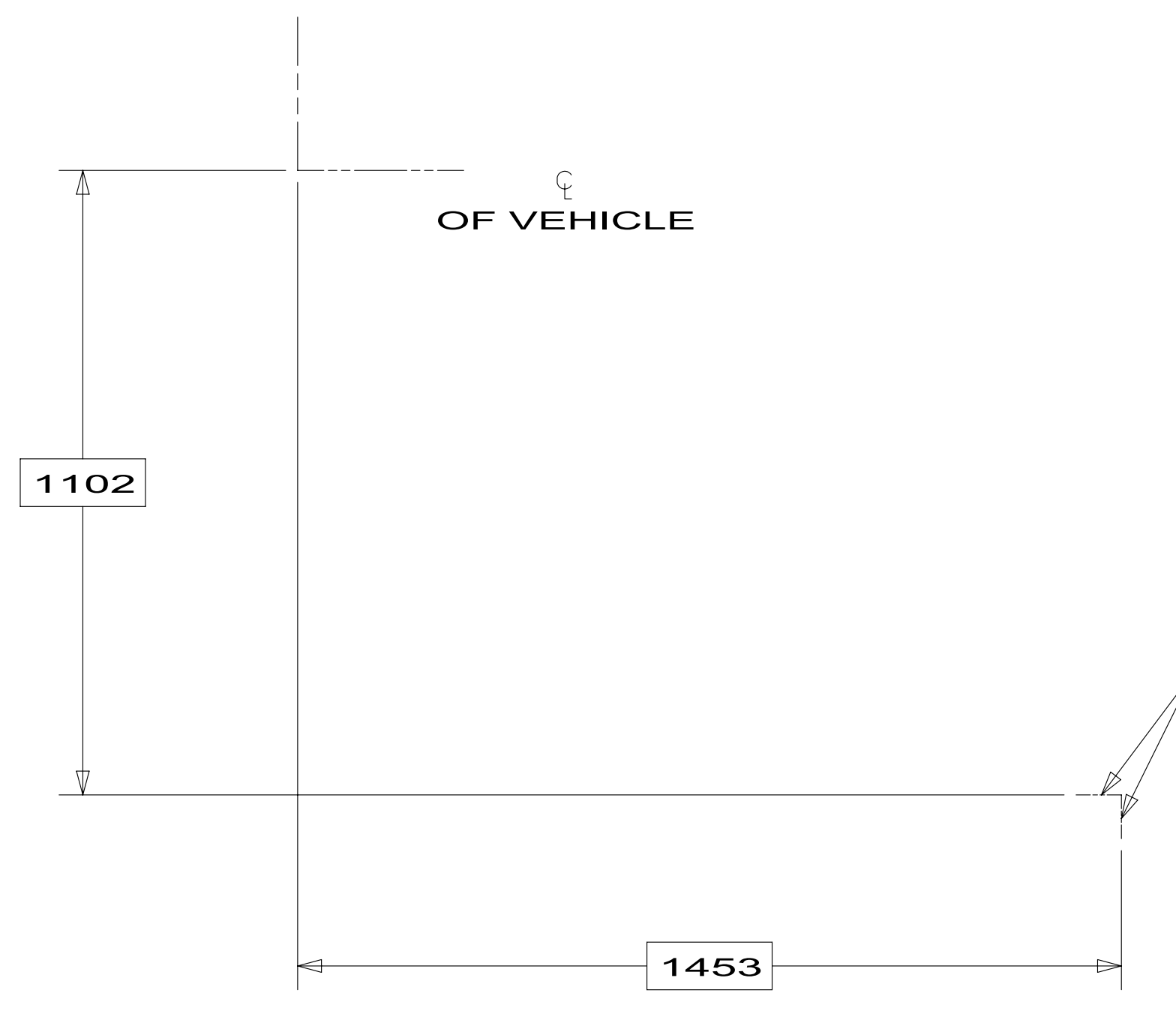
SECTION E-E



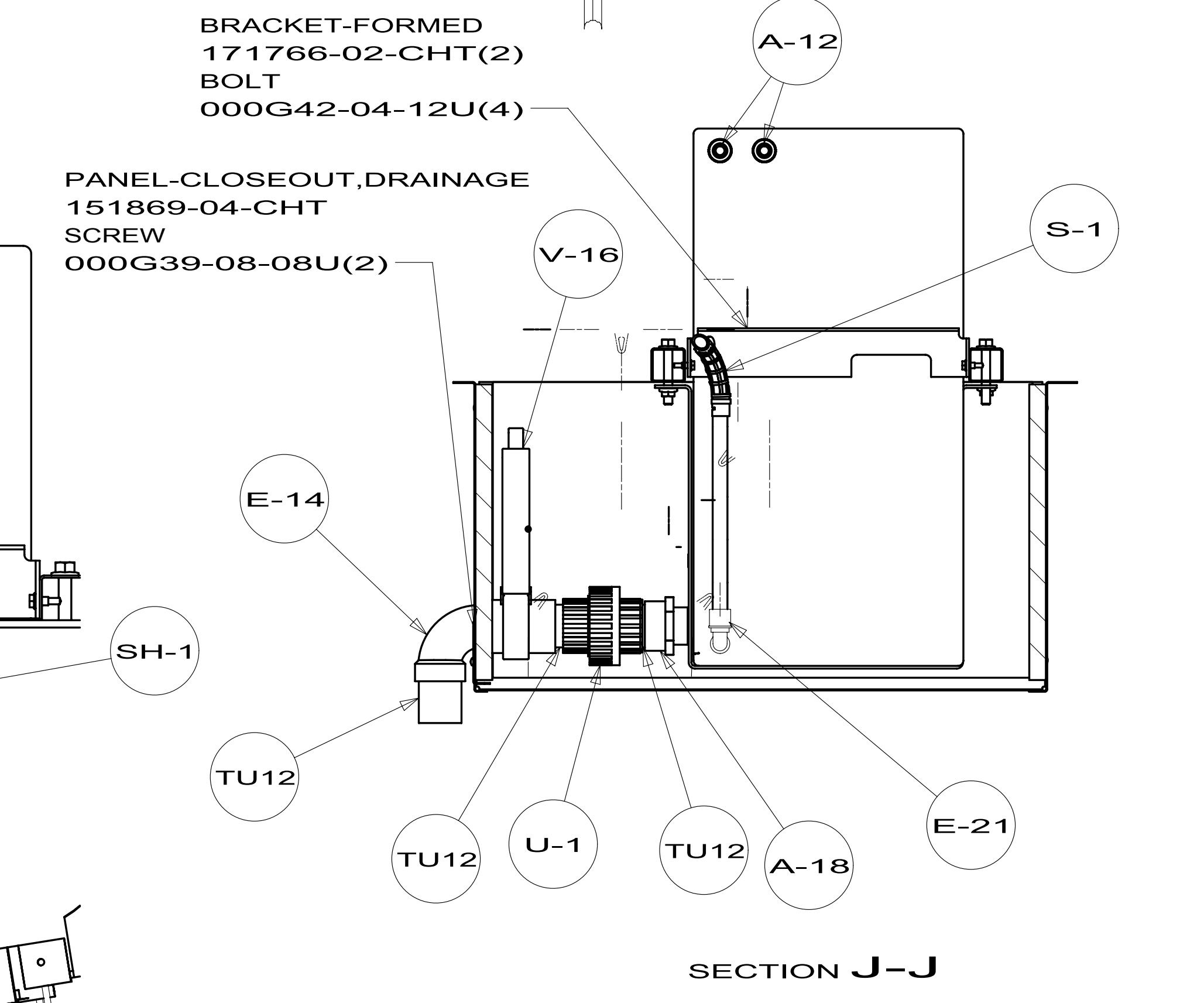
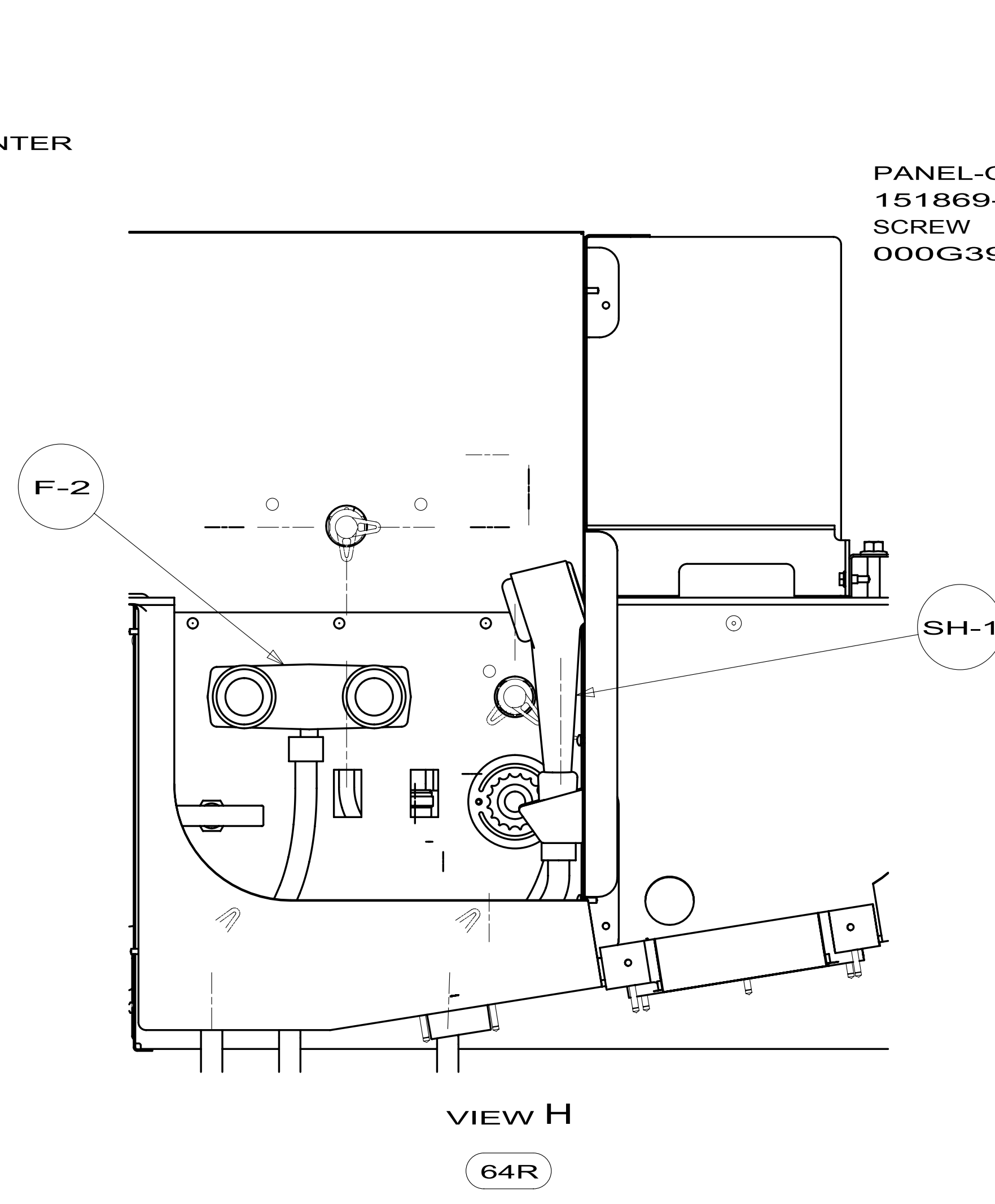
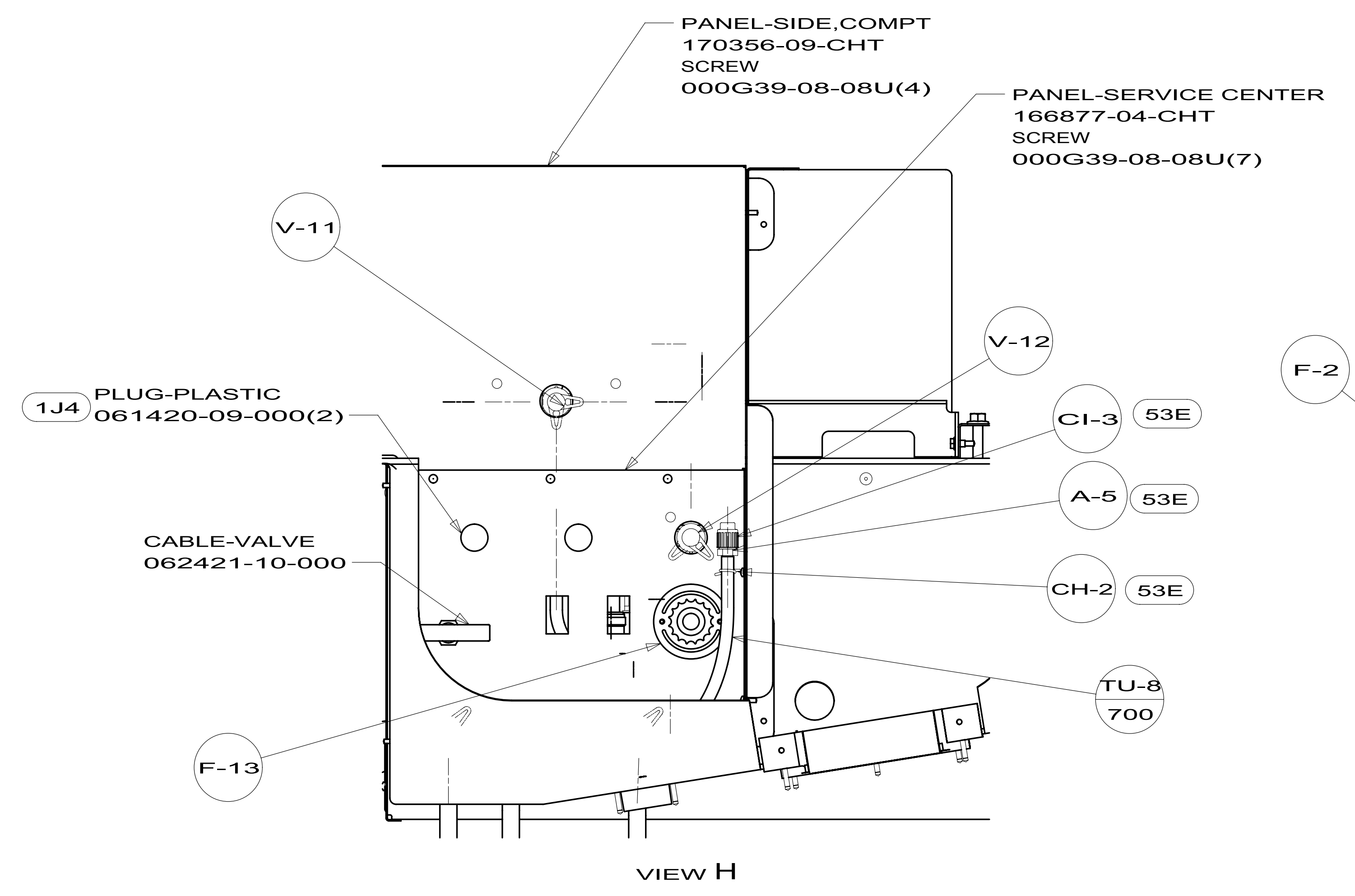
DETAIL D

- FOAM-PAD 140364-01-CHT
- PANEL-WATER PUMP 149477-08-CHT
- SCREW 000G39-08-24U(4)
- SCREW 000G39-08-16U(4)

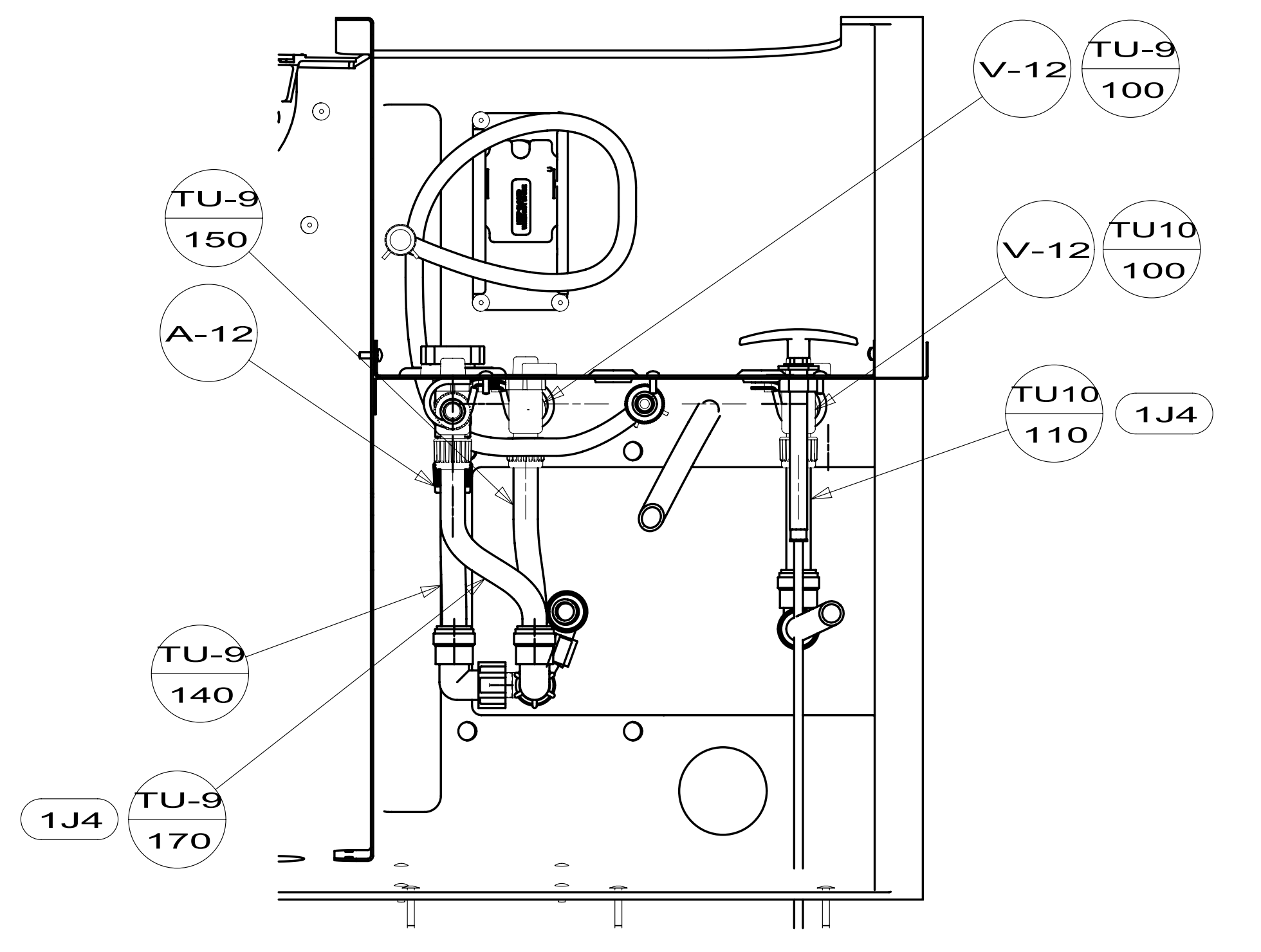
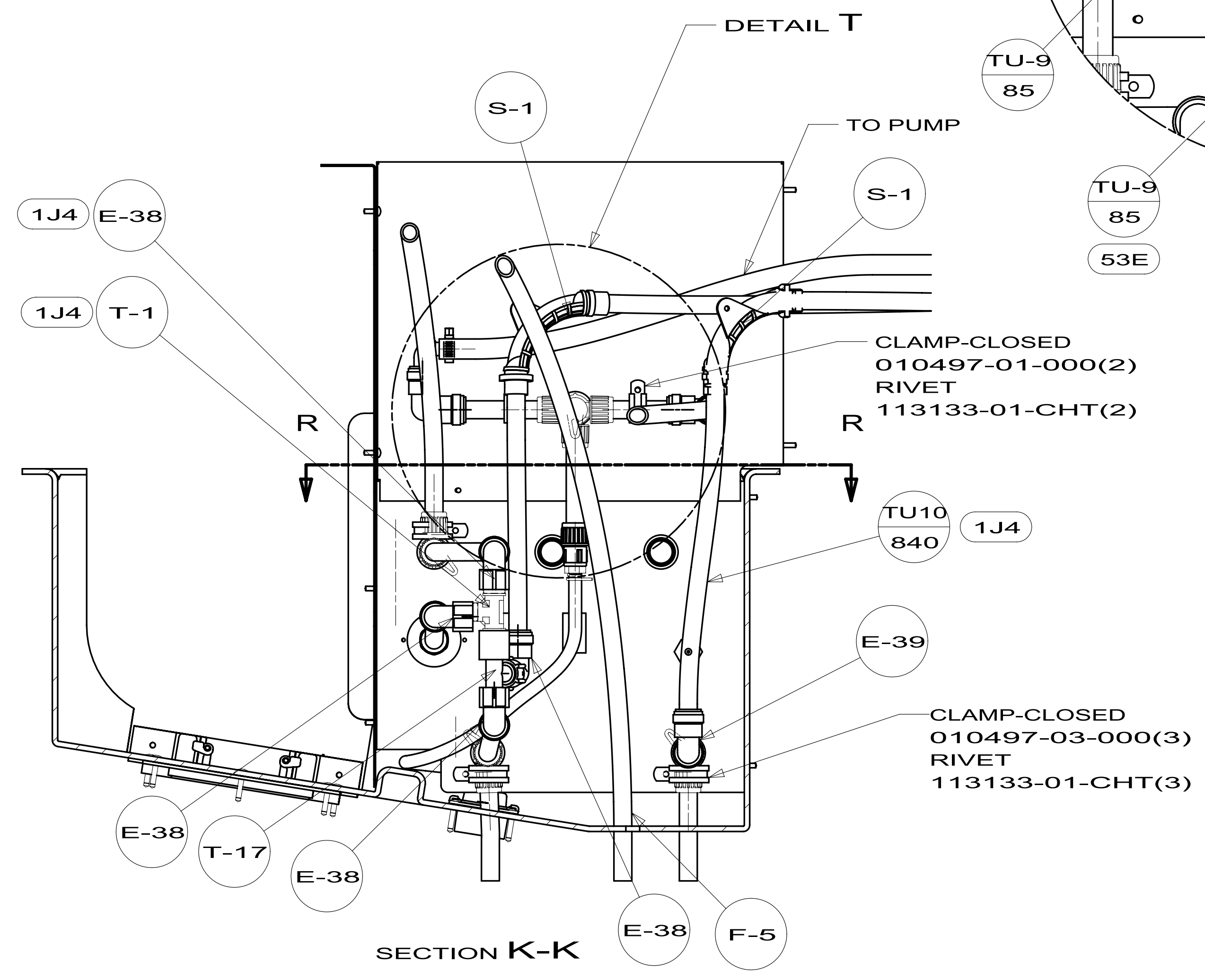
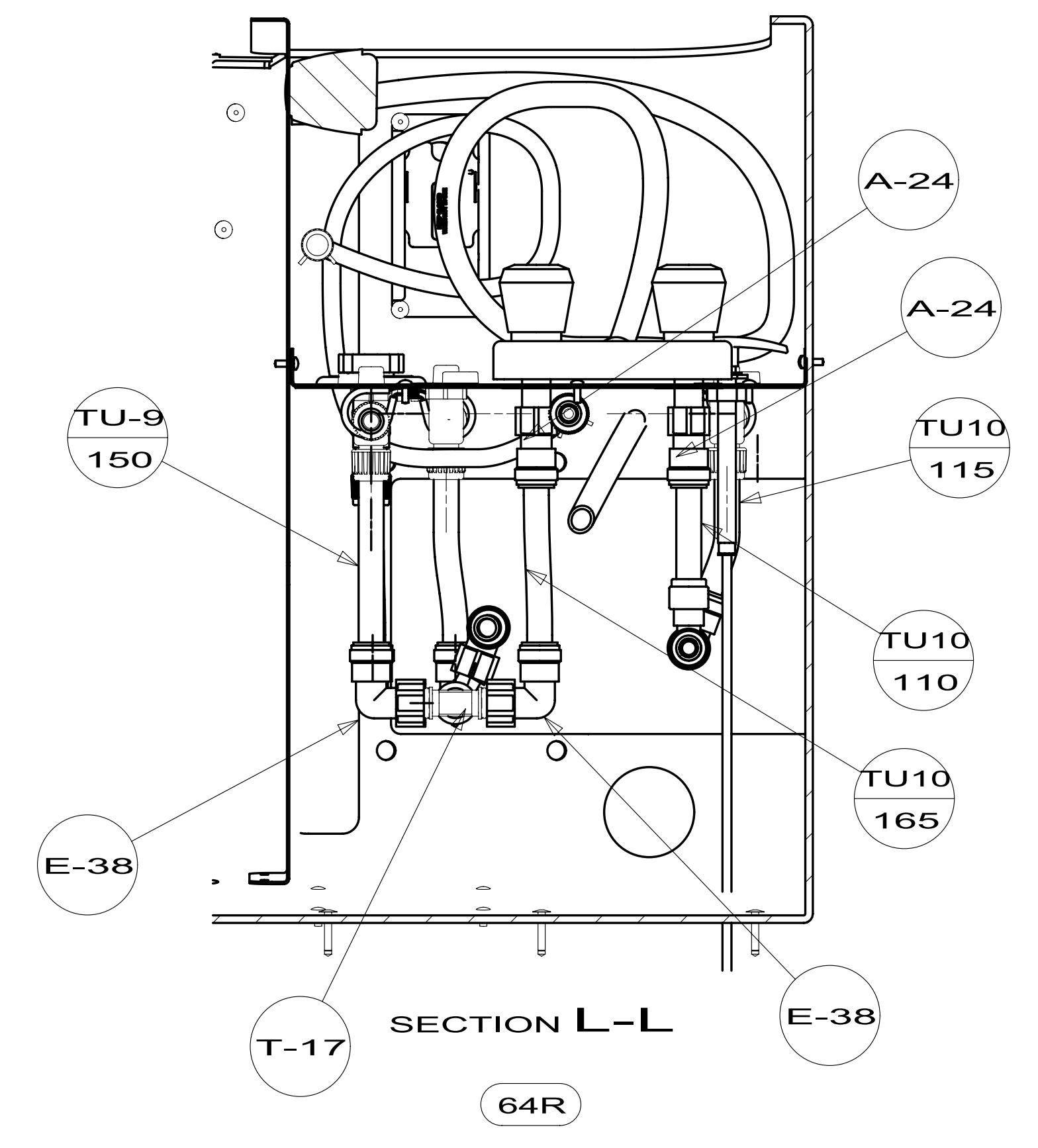
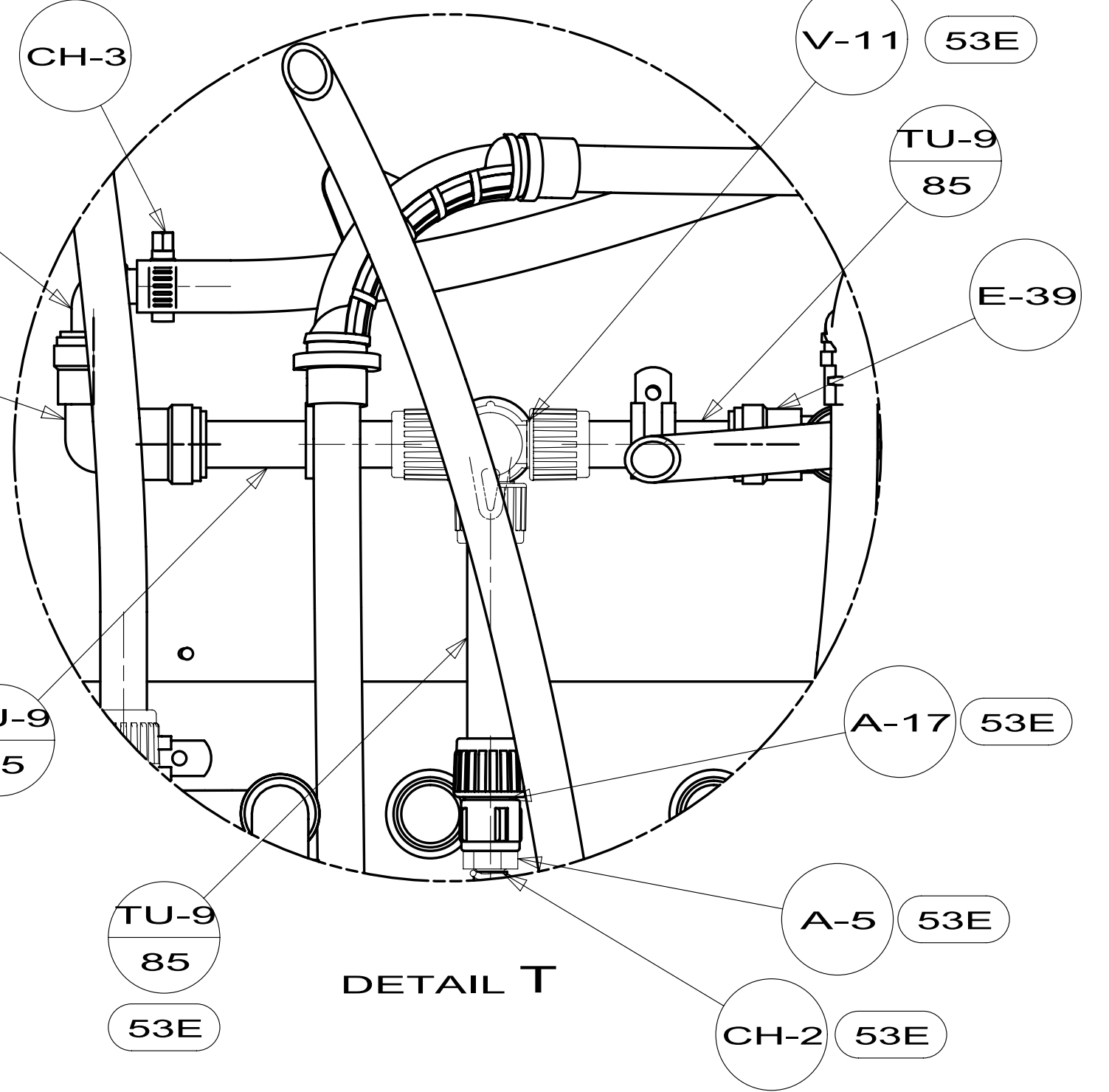
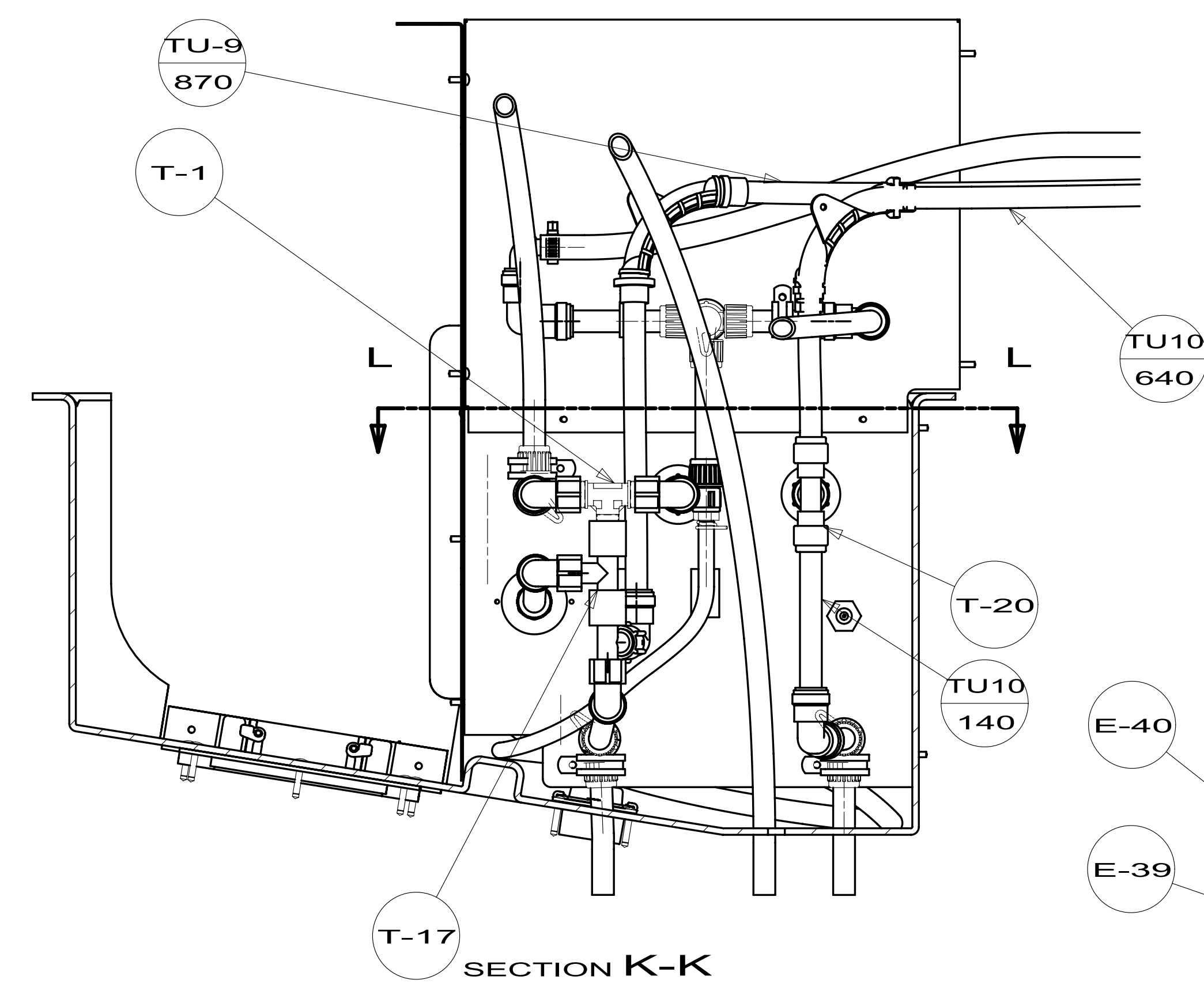
FIRST USED	12 H25Q	
TITLE:	DO NOT SCALE DRAWING	
	WATER SYSTEM INSTL	
SHEET 2	PART NO 178558	REV



SHOWING TANKS AND COMPTS UNDER FLOOR



FIRST USED	12 H25Q	
TITLE:	DO NOT SCALE DRAWING	
TITLE:	WATER SYSTEM INSTL	
SHEET 4	PART NO	178558
	REV	



FIRST USED	12 H25Q	
TITLE:	DO NOT SCALE DRAWING	
	WATER SYSTEM INSTL	
SHEET 5	PART NO 178558	REV