

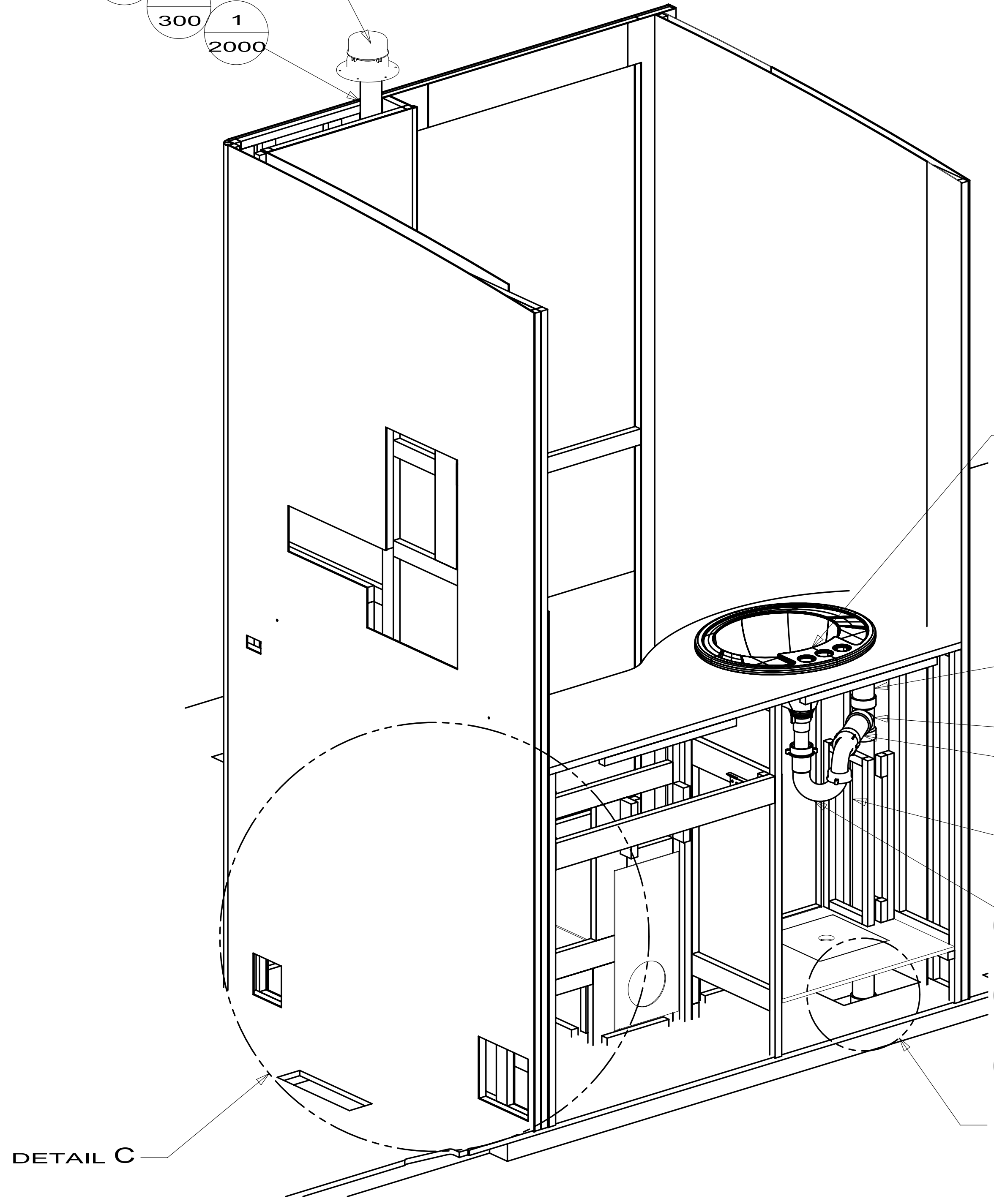
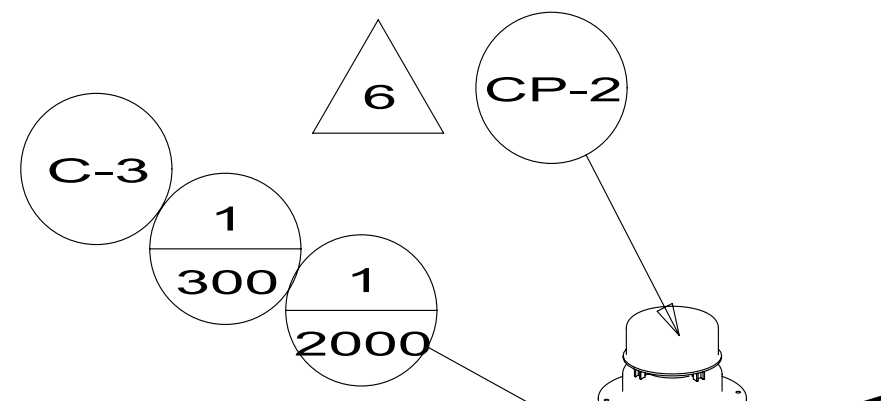
- 11 USE SMOOTH PLUMBERS PUTTY 167459-01-000 TO SEAL STRAINER (0.2 PER STRAINER).
- 10 ATTACH TANK BRACKET TO RISER.
- 9 APPLY PRIMER 126427-02-000 AND CEMENT 126427-01-000 BETWEEN ELBOW AND FLEX PIPE.
- 8. SECURE DRAINAGE PIPES TO CABINET USING WIRE TIE 108046-02-000, AND SCREW 000G67-10-12B AT INTERVALS OF NOT OF NOT MORE THAN 4 FEET APART.
- 7 SECURE VENT PIPE TO FLOOR WITH CLAMP 062401-02-000 (2), SCREW 000G67-10-12B (2), BRACKET 136878-01-CHT (2).
- 6 VENT PIPE MUST PROJECT 51 MIN AND 64 MAX ABOVE ROOF FOR PROPER FIT AND FUNCTION.
- 5. SEAL AROUND SHOWER WITH SILICONE.
- 4 GLUE FITTING AFTER CABINET IS INSTALLED.
- 3. ALL PIPE AND FITTINGS TO BE ASSEMBLED WITH SOLVENT 004020-01-000 (USA), 004020-02-000 (CAN)
- 2. SLOPE OF TRAP ARM MUST BE 6 PER 305 mm.
- 1. SLOPE OF HORIZONTAL PIPING TO BE MINIMUM OF 3 PER 305 mm.

- 1B1 CODES/STANDARDS USA
- 265 CODES/STANDARDS-CSA/CMVSS

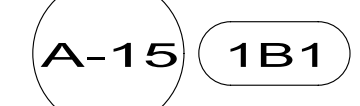
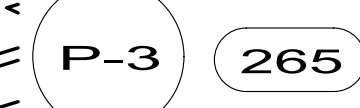
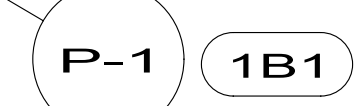
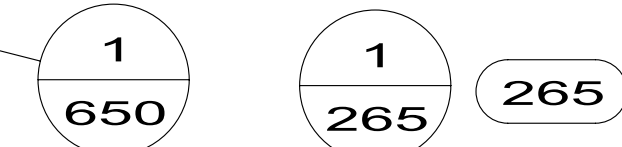
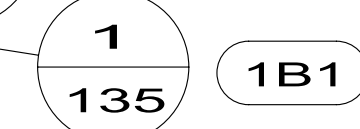
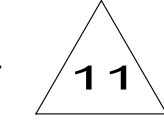
		COPYRIGHT 2012 WINNEBAGO INDUSTRIES, INC.	
DTR	ORIG. DATE	ALL DIMENSIONS ARE IN MILLIMETERS	
CHKR			
P.E.			
M.E.	FIRST USED		
DSNR		12 D36V	
UNSPECIFIED TOLERANCES ARE:		MATERIAL:	
WHOLE DIM (X)	: 3		
ONE-PLACE (X.X)	: 1		
TWO-PLACE (X.XX)	: 1		
ANGLE	: 1		
THIRD ANGLE PROJECTION			
DO NOT SCALE DRAWING		REFER TO ES0018 FOR FASTENER TIGHTENING GUIDELINES	
TITLE: DRAINAGE SYSTEM INSTL			
SHEET 1 OF 4	PART NO	179321	REV
REF:		1	1/18/2012

FOR DRAINAGE CALLOUTS SEE DWG NO 116229-01-000

NOTES:

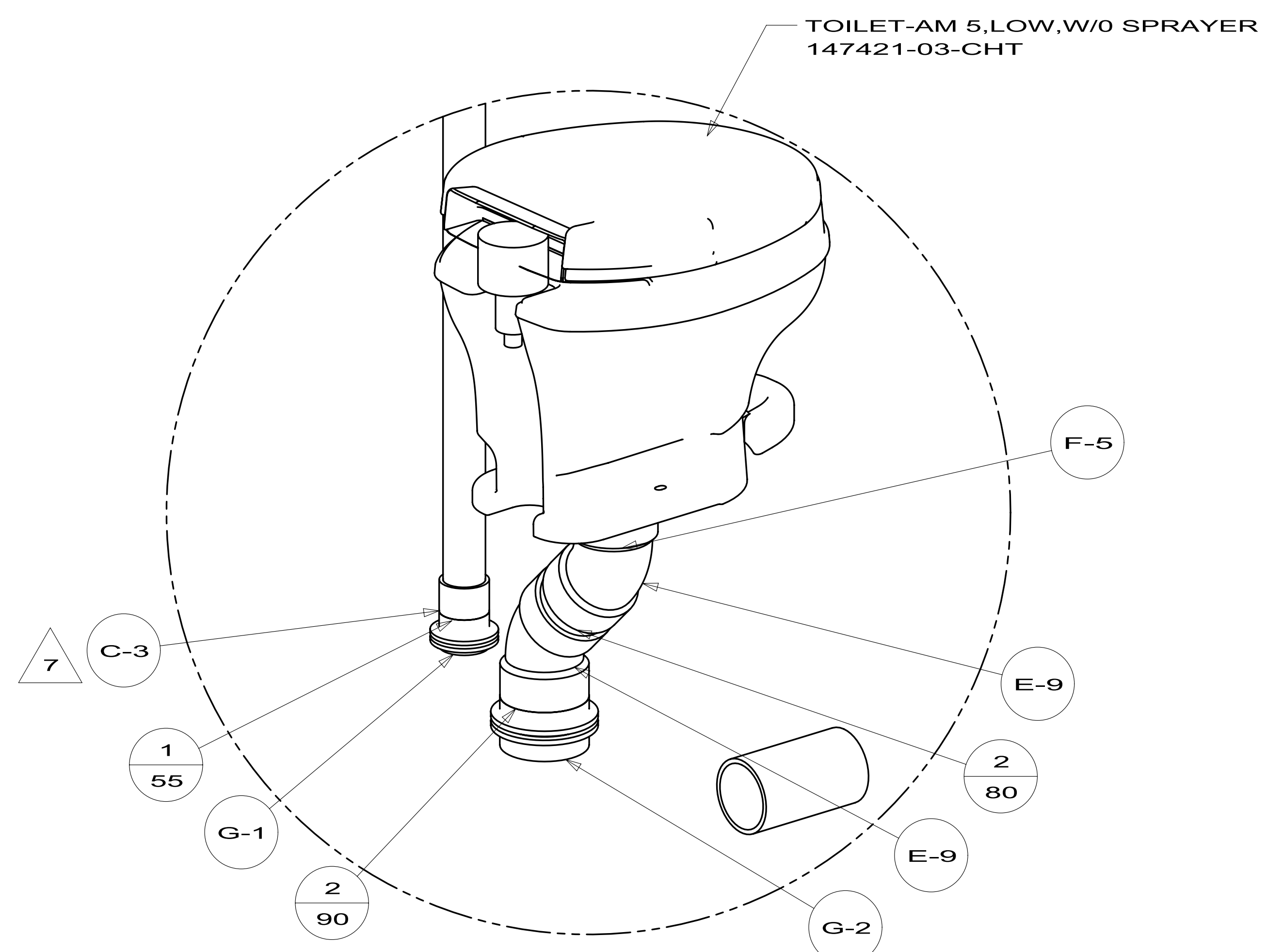


SINK-LAVATORY
164615-01-CHT
TAILPIECE
106116-01-CHT
GASKET
106116-02-CHT
SEAL
091255-02-000 (A/R)

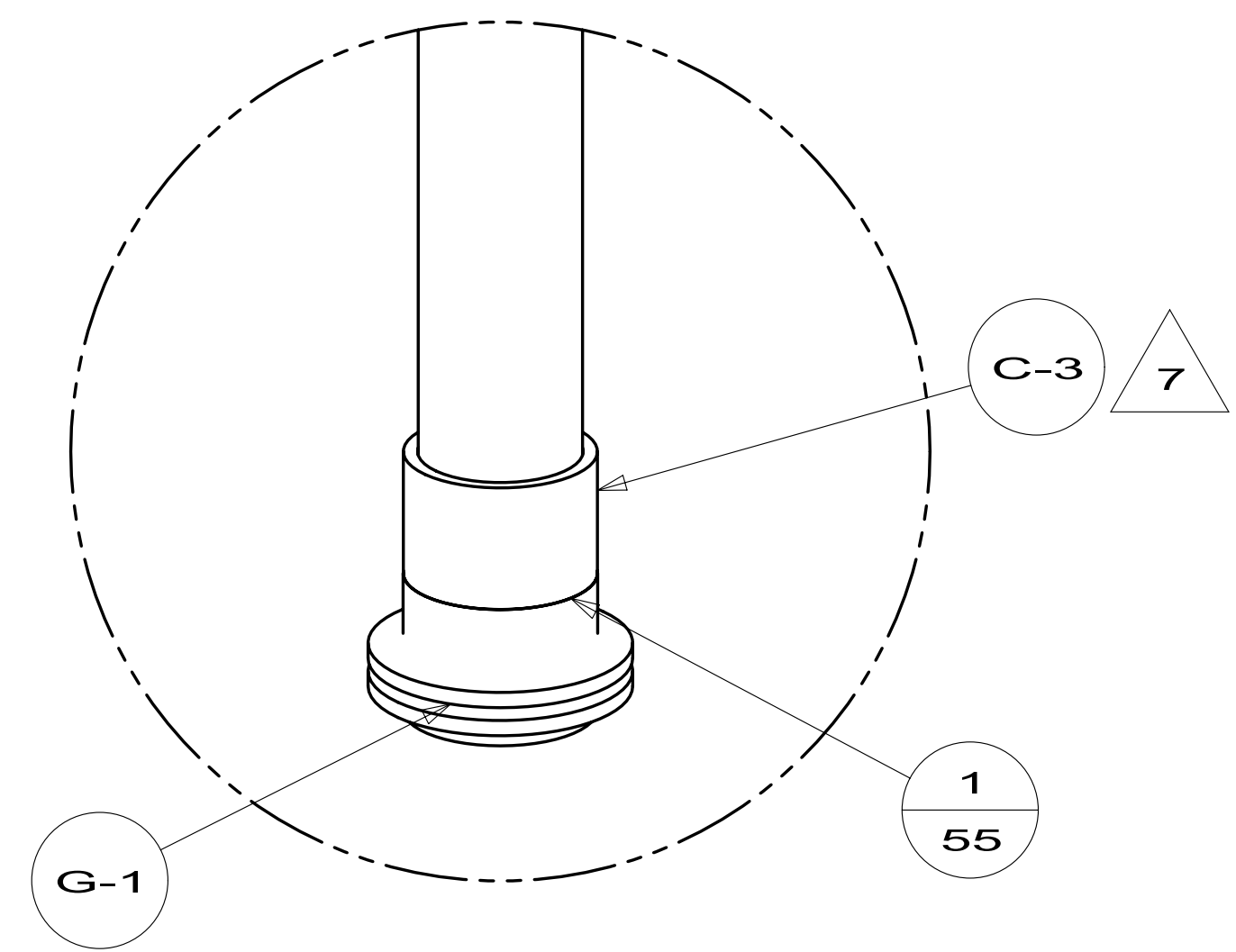


DETAIL E

VIEW A

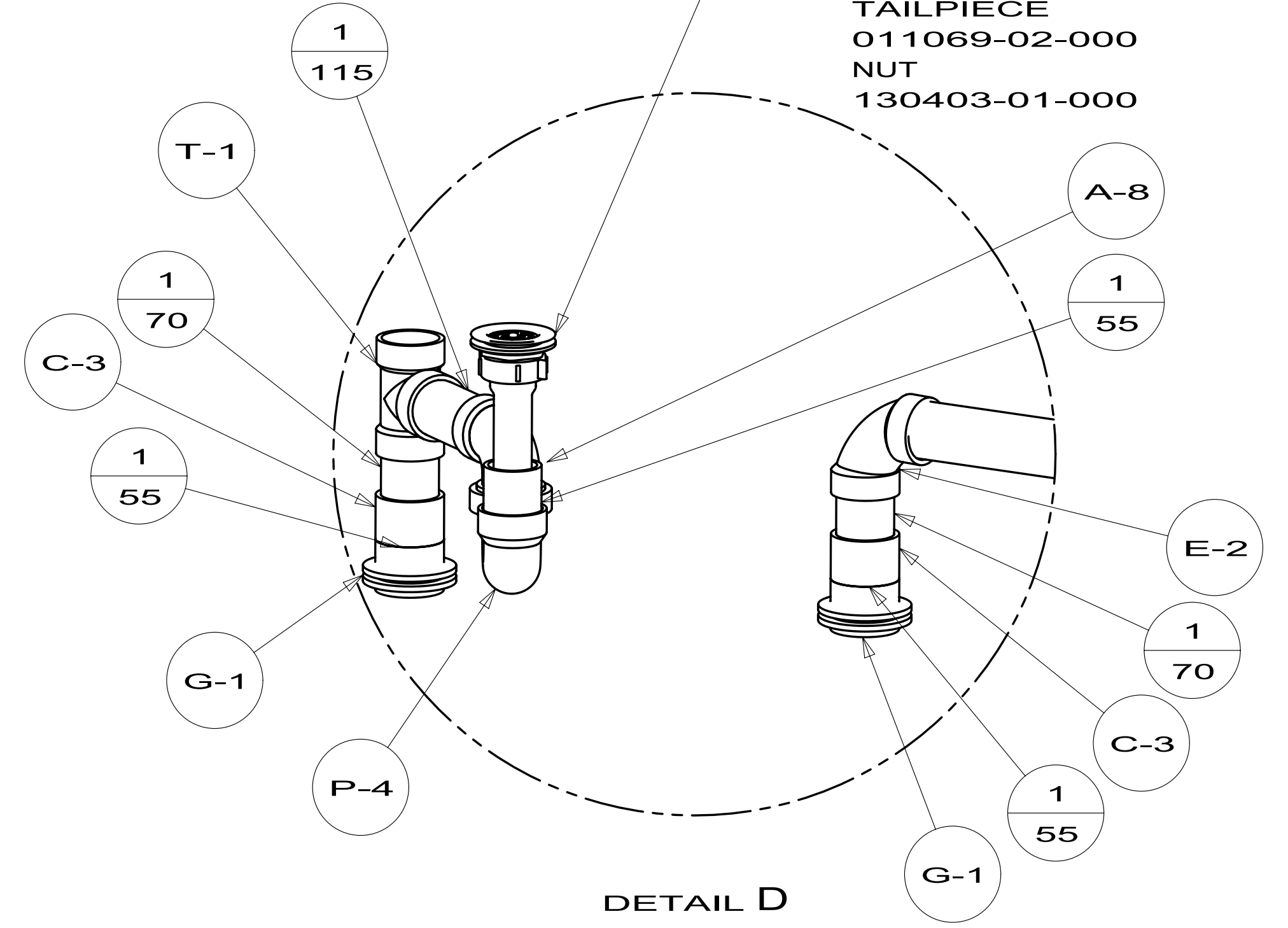
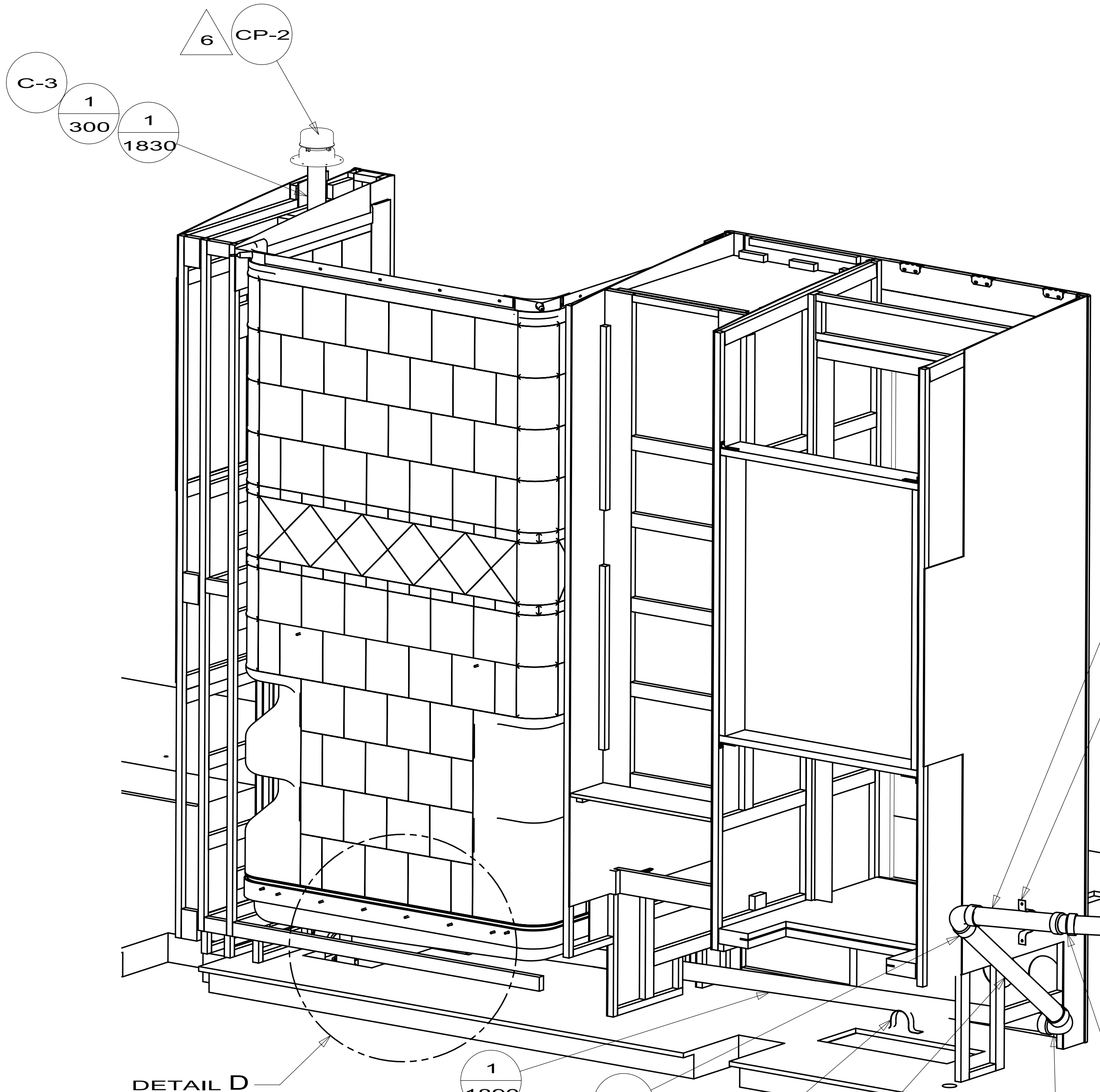


DETAIL C
(SHOWN W/OUT CABINETS AND FLOOR)

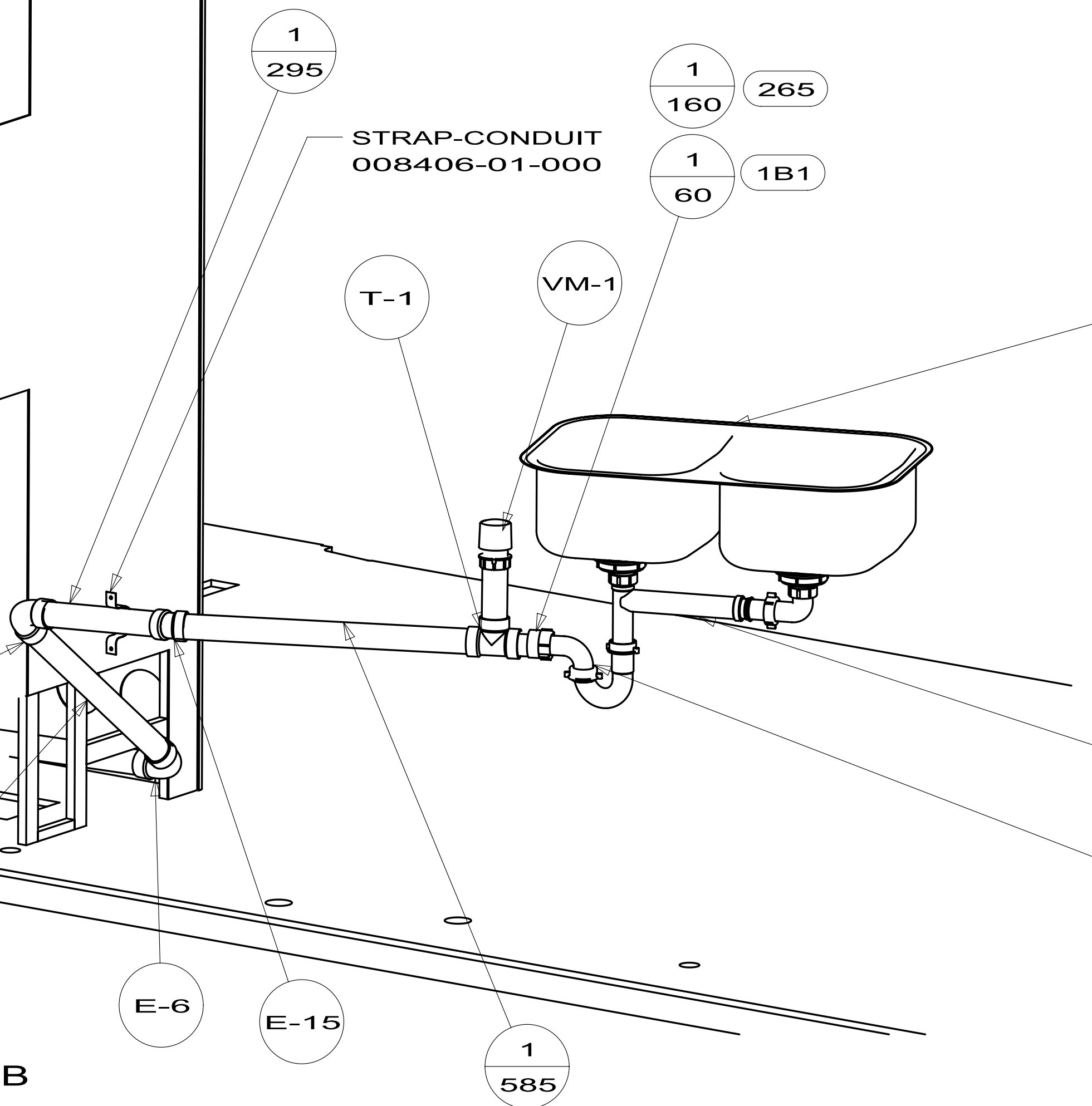


DETAIL E

FIRST USED	12 D36V	
TITLE:	DO NOT SCALE DRAWING	
	DRAINAGE SYSTEM INSTL	
SHEET 2	PART NO 179321	REV



- SHOWER INSTL
- 164684-03-000
- STRAINER
- 066440-01-000
- SEALER
- 069640-01-000
- WASHER-RUBBER
- 127440-02-CHT
- TAILPIECE
- 011069-02-000
- NUT
- 130403-01-000



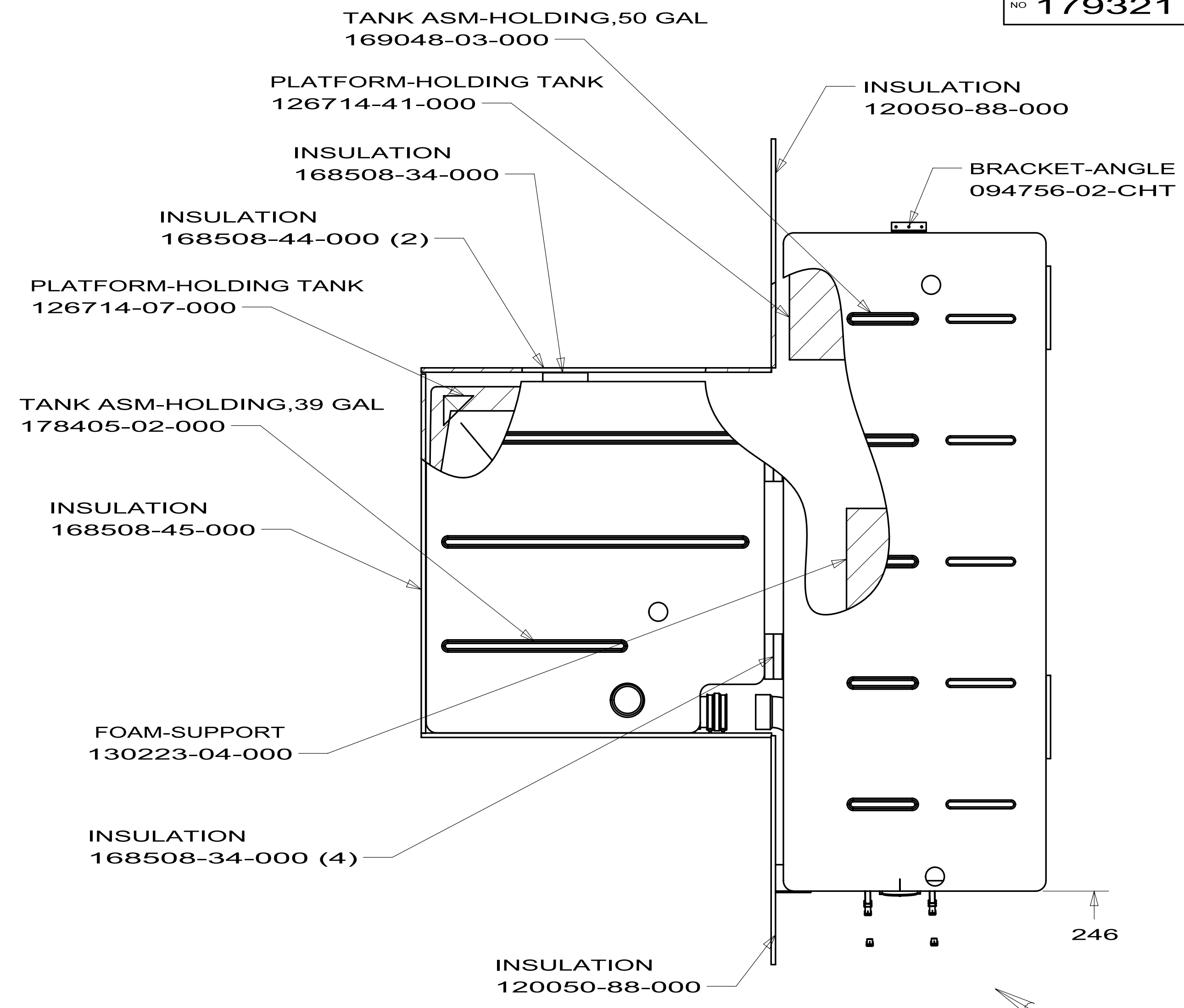
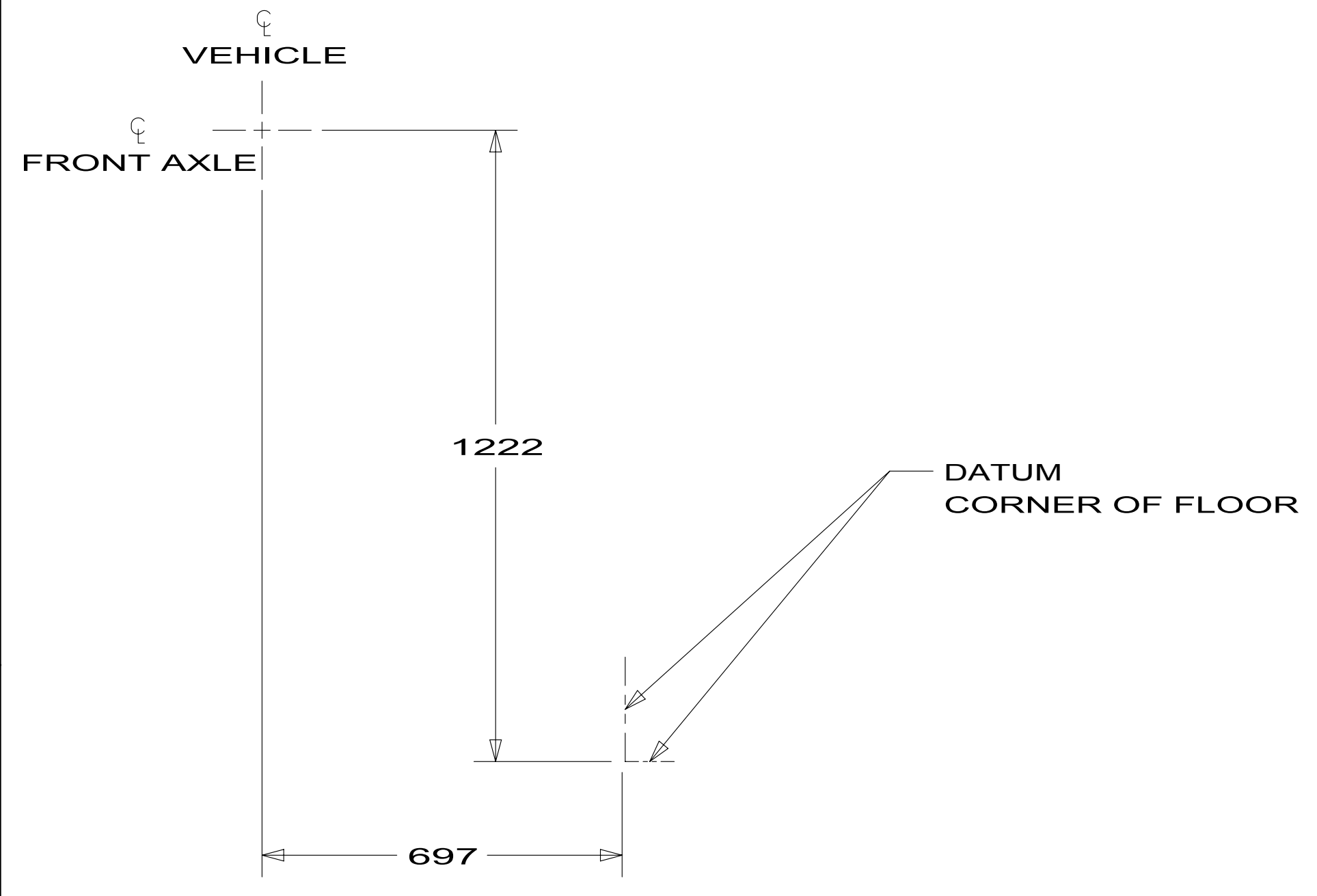
- SINK-SMC, DBL L/S BASIN
- 173783-01-CHT (US/CAN)
- STRAINER
- 092303-01-000 (2) 11
- BRACKET & SCREW
- 140002-01-CHT (8)
- SEAL
- 091255-03-000
- (2130)

STRAP-CONDUIT
008406-01-000

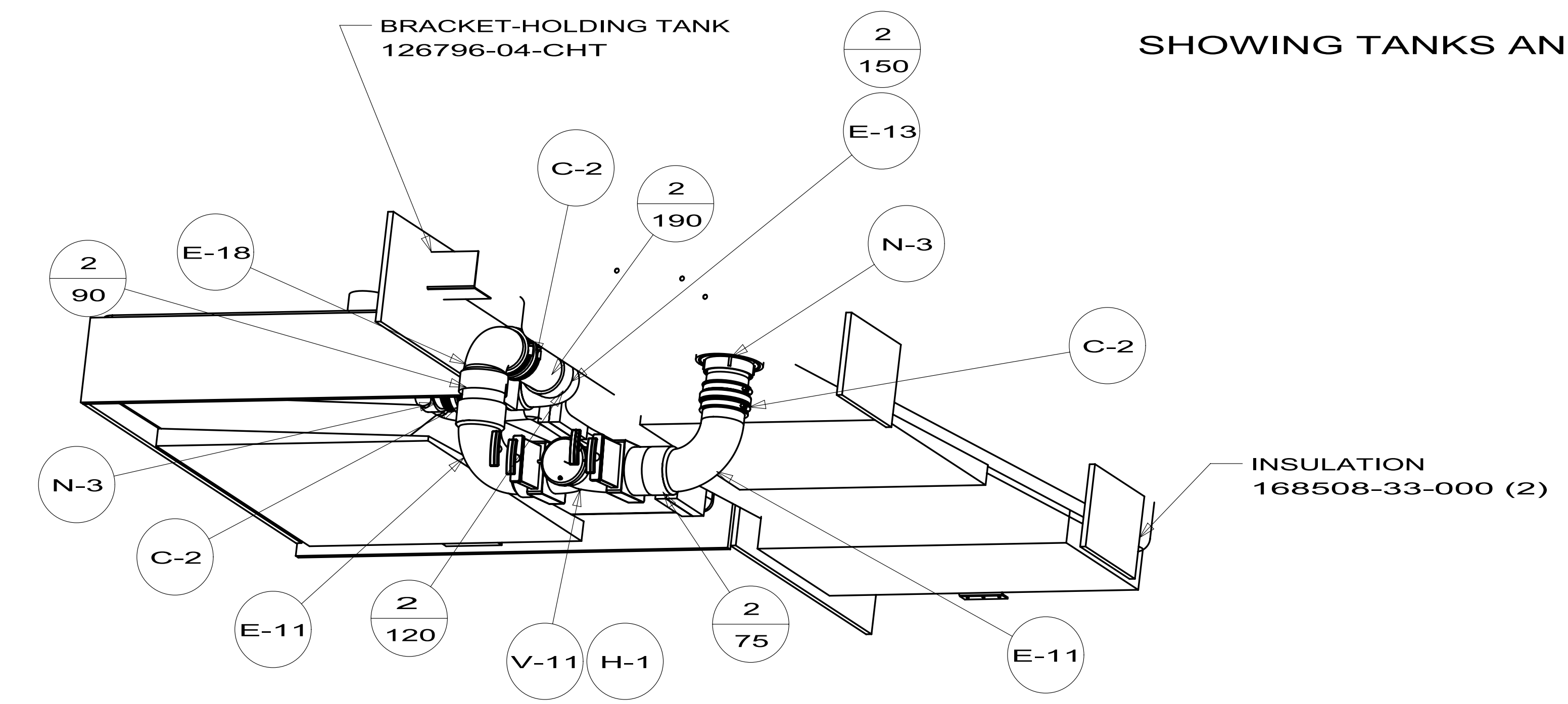
STRAP-CONDUIT
008406-01-000

VIEW B

FIRST USED	12 D36V	
DO NOT SCALE DRAWING		
TITLE: DRAINAGE SYSTEM INSTL		
SHEET 3	PART NO 179321	REV

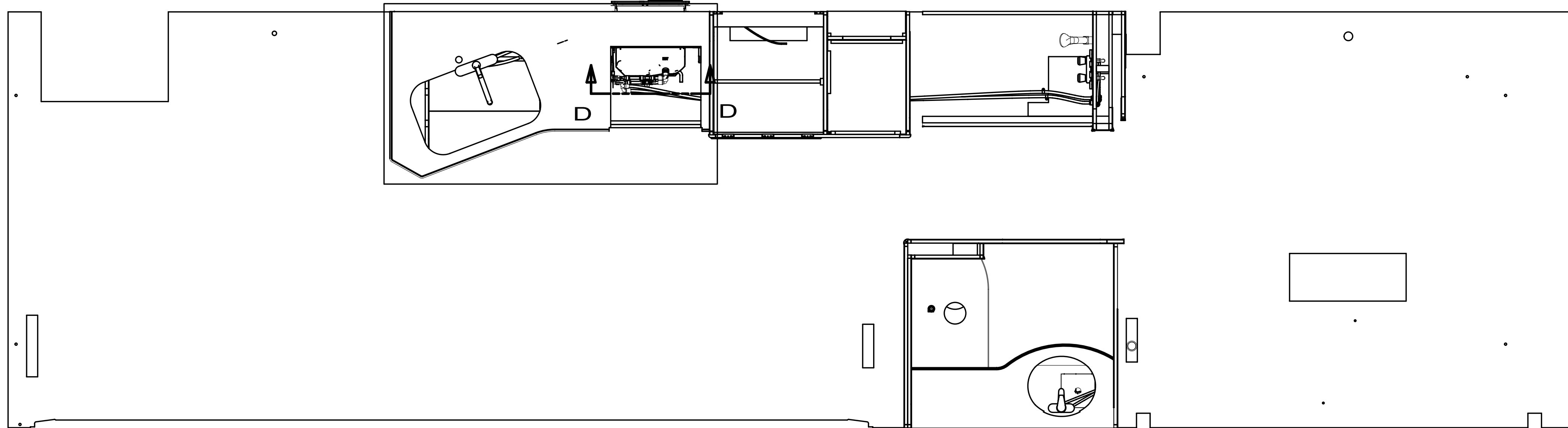


SHOWING TANKS AND DRAINS



VIEW F

FIRST USED	12 D36V	
TITLE:	DO NOT SCALE DRAWING	
	DRAINAGE SYSTEM INSTL	
SHEET 4	PART NO 179321	REV



- 144 REFRIGERATOR-DOUBLE DOOR
- 53Z WTR HTR-6GAL/110/LP/MTR/AUTO
- 79W REFRIGERATOR-4 DOOR

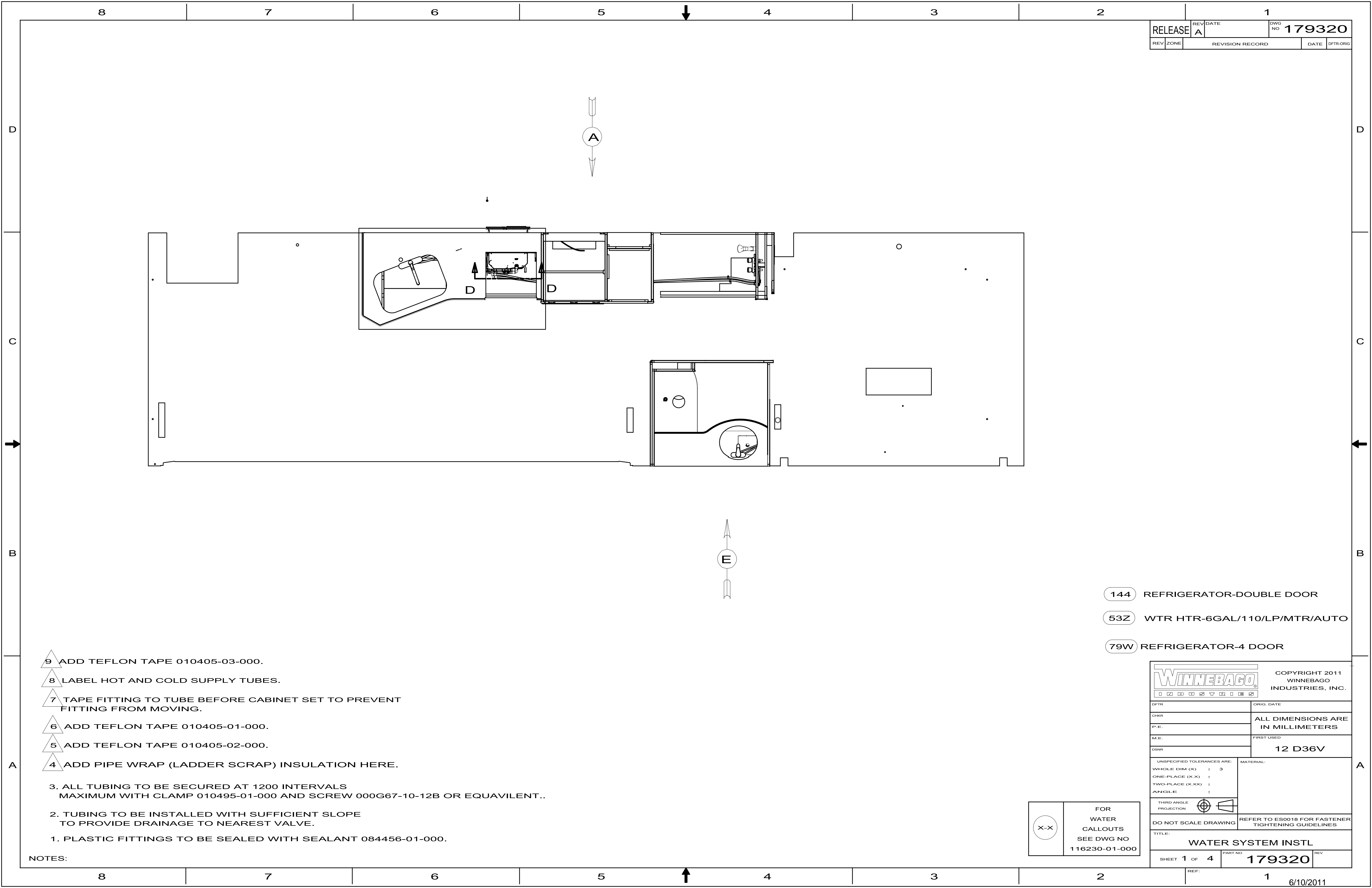
- 9 ADD TEFLON TAPE 010405-03-000.
- 8 LABEL HOT AND COLD SUPPLY TUBES.
- 7 TAPE FITTING TO TUBE BEFORE CABINET SET TO PREVENT FITTING FROM MOVING.
- 6 ADD TEFLON TAPE 010405-01-000.
- 5 ADD TEFLON TAPE 010405-02-000.
- 4 ADD PIPE WRAP (LADDER SCRAP) INSULATION HERE.

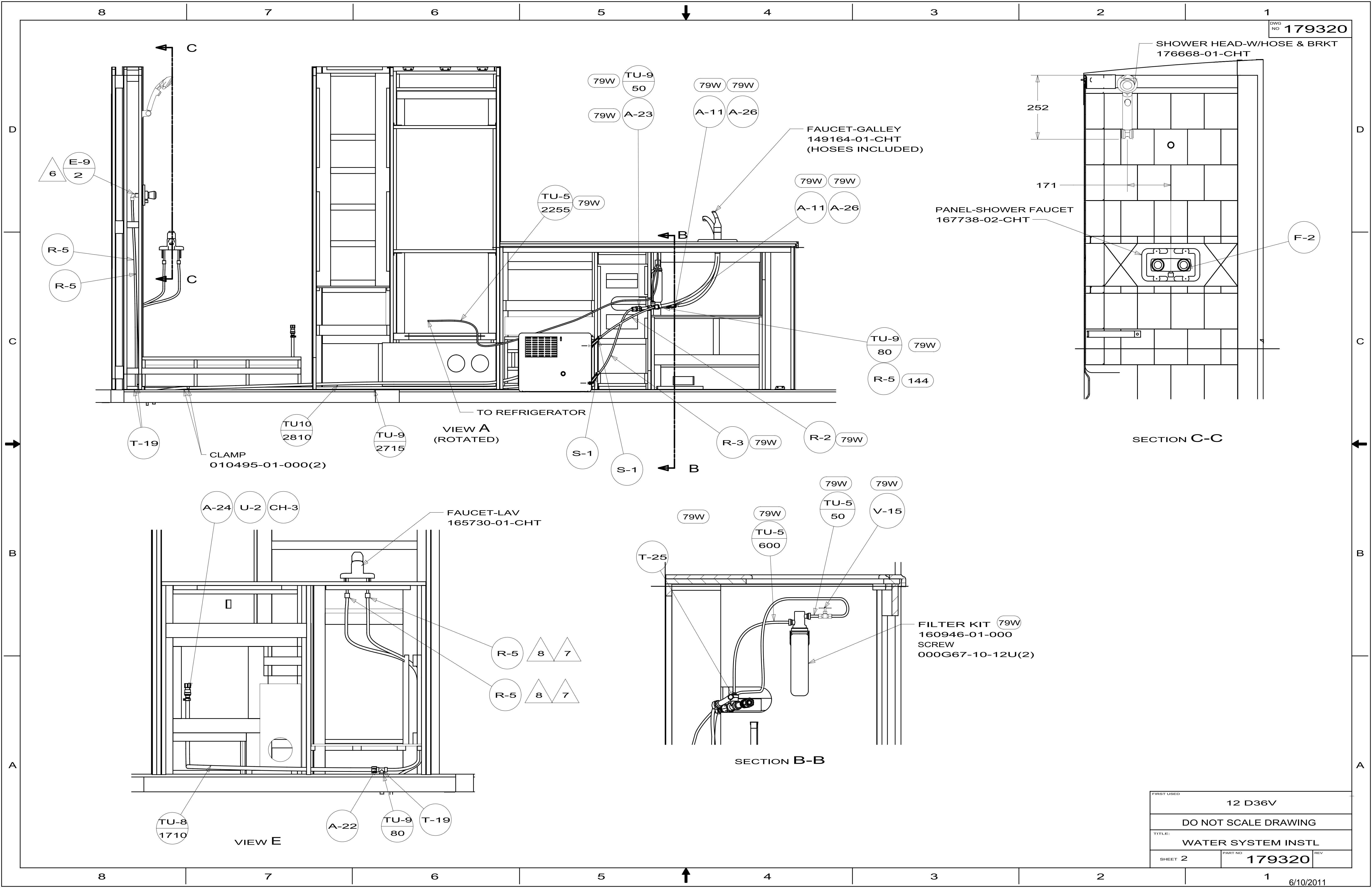
3. ALL TUBING TO BE SECURED AT 1200 INTERVALS MAXIMUM WITH CLAMP 010495-01-000 AND SCREW 000G67-10-12B OR EQUIVALENT..
2. TUBING TO BE INSTALLED WITH SUFFICIENT SLOPE TO PROVIDE DRAINAGE TO NEAREST VALVE.
1. PLASTIC FITTINGS TO BE SEALED WITH SEALANT 084456-01-000.

NOTES:

		COPYRIGHT 2011 WINNEBAGO INDUSTRIES, INC.	
DTR	ORIG. DATE	ALL DIMENSIONS ARE IN MILLIMETERS	
CHKR			
P.E.			
M.E.	FIRST USED		
DSNR		12 D36V	
UNSPECIFIED TOLERANCES ARE:		MATERIAL:	
WHOLE DIM (X)	: 3		
ONE-PLACE (X.X)	:		
TWO-PLACE (X.XX)	:		
ANGLE	:		
THIRD ANGLE PROJECTION			
DO NOT SCALE DRAWING		REFER TO ES0018 FOR FASTENER TIGHTENING GUIDELINES	
TITLE: WATER SYSTEM INSTL			
SHEET 1 OF 4	PART NO	179320	REV
REF:	1	6/10/2011	

FOR WATER CALLOUTS SEE DWG NO 116230-01-000





SHOWER HEAD-W/HOSE & BRKT
176668-01-CHT

FAUCET-GALLEY
149164-01-CHT
(HOSES INCLUDED)

PANEL-SHOWER FAUCET
167738-02-CHT

TO REFRIGERATOR

VIEW A
(ROTATED)

SECTION C-C

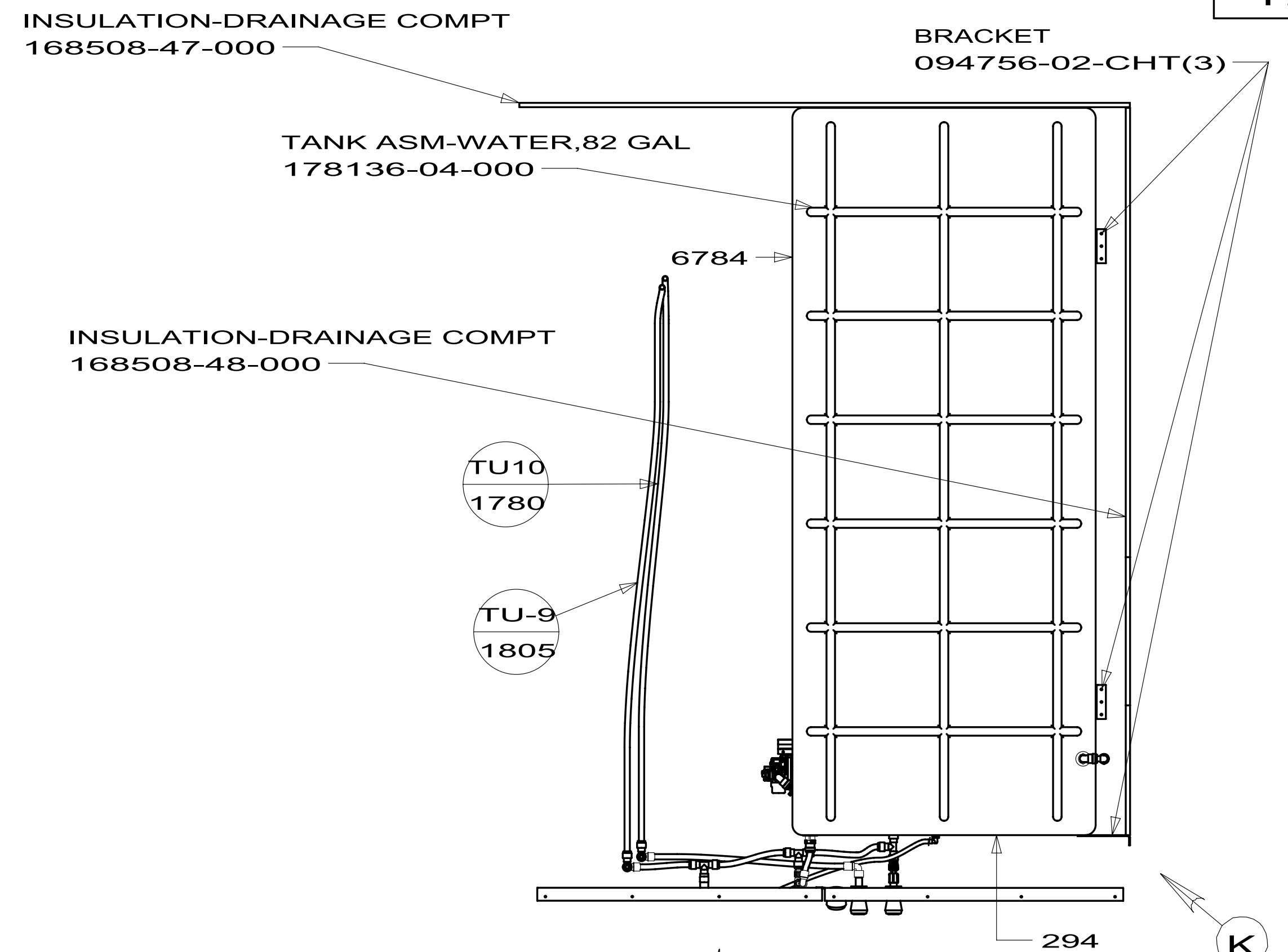
FAUCET-LAV
165730-01-CHT

FILTER KIT
160946-01-000
SCREW
000G67-10-12U(2)

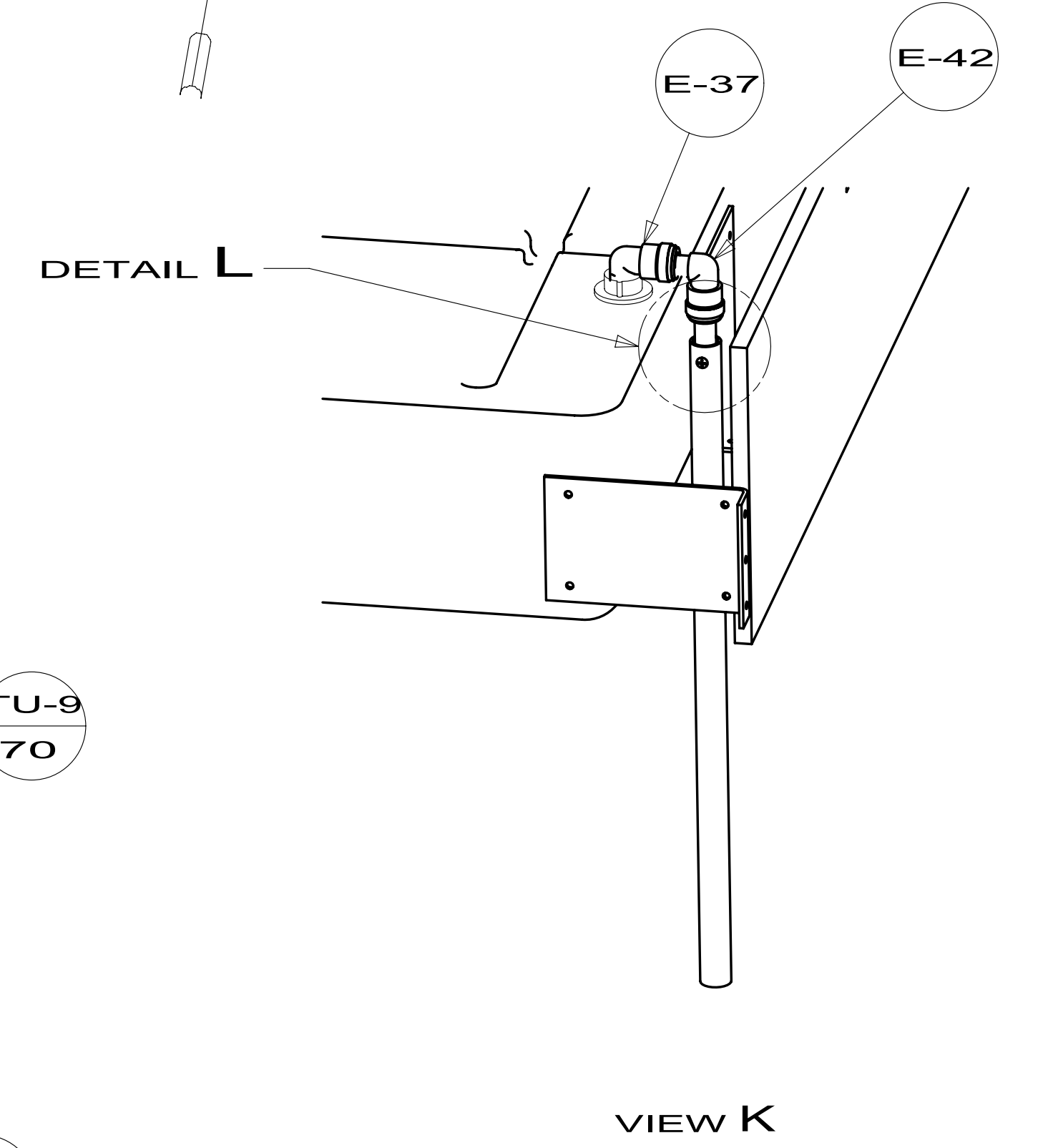
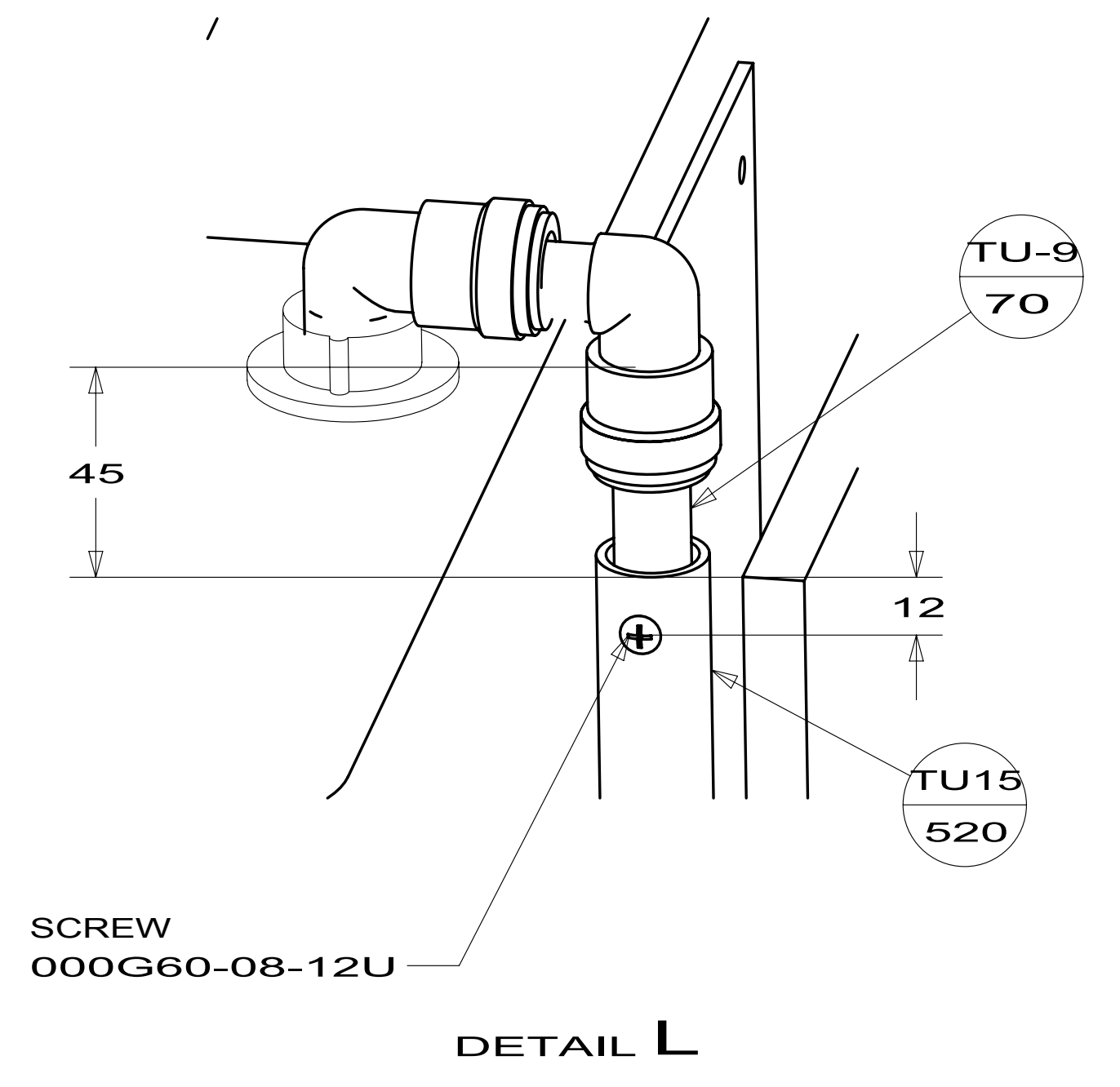
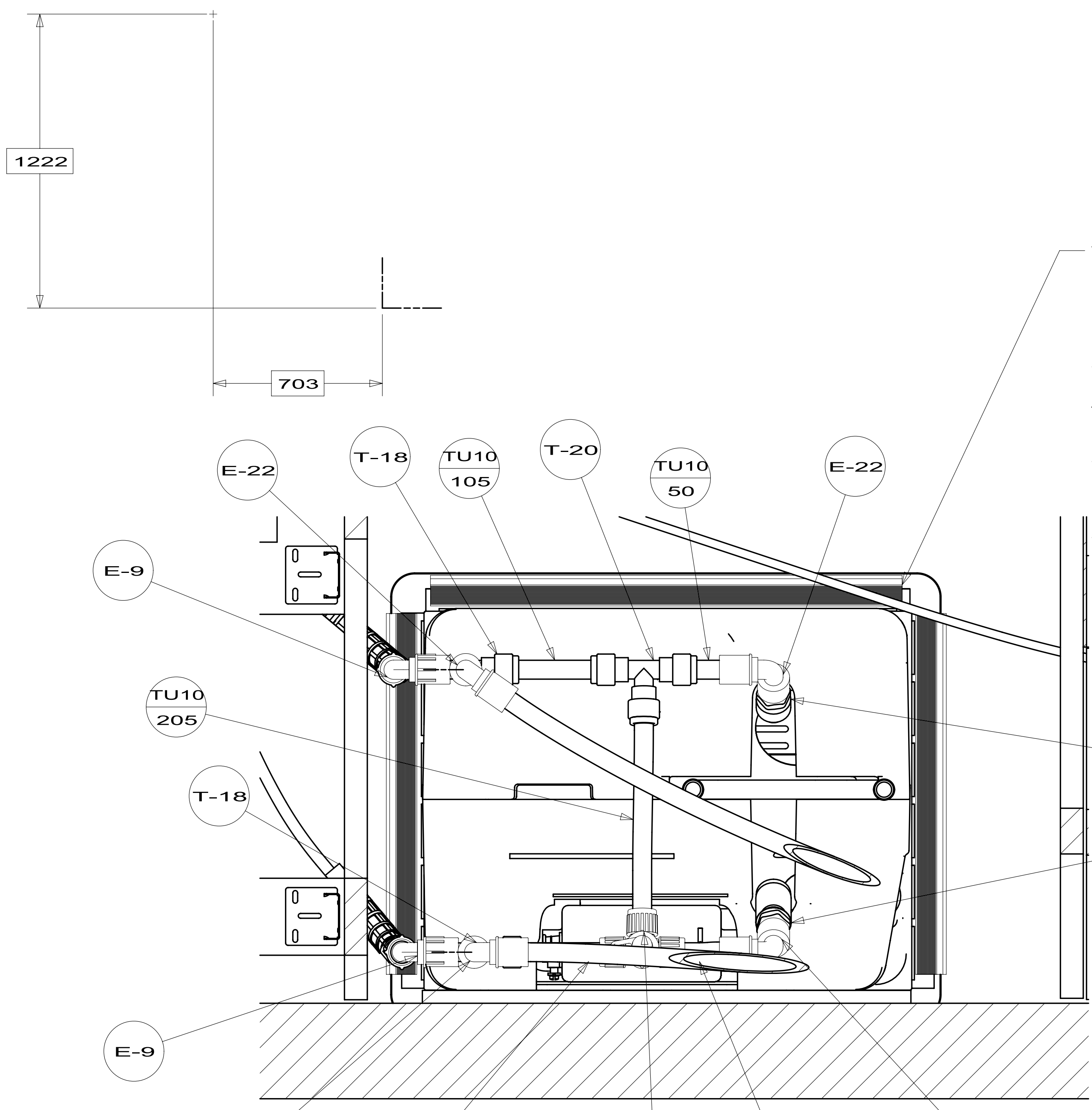
SECTION B-B

VIEW E

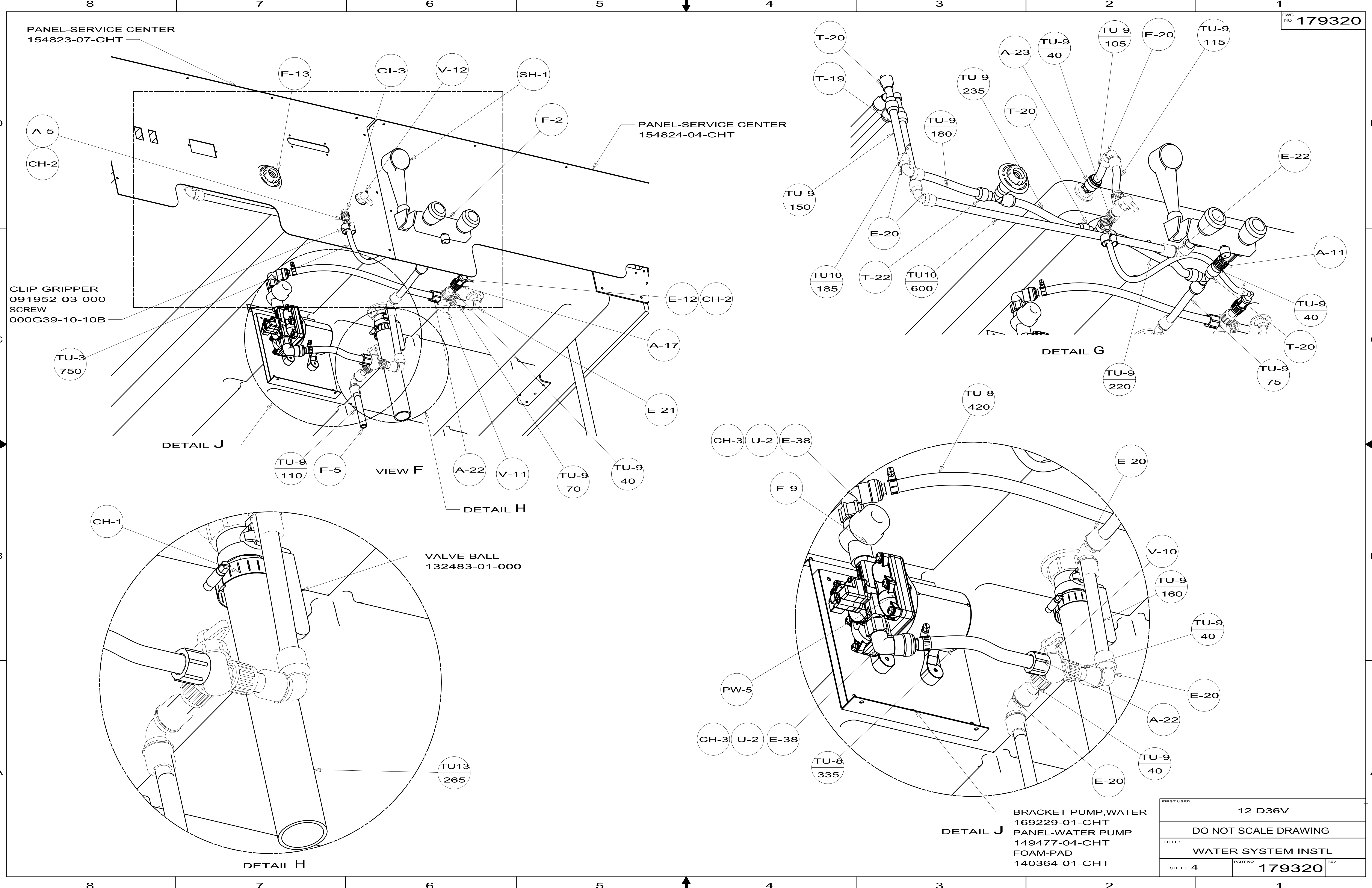
FIRST USED	12 D36V	
TITLE:	DO NOT SCALE DRAWING	
	WATER SYSTEM INSTL	
SHEET 2	PART NO. 179320	REV



- WATER HEATER-6 GAL
145541-02-000 (53Z)
- DOOR
125420-06-CHT
- PLYWOOD
173882-4M-OCA
- SCREW
000G39-10-48U (2)
- AL EXTR
002726-51-027
- SCREW
002726-51-017 (2)
- SCREW
000G39-10-169 (18)
- CABLE
076767-03-000
- SCREW
000G11-006-08U (2)
- SEALANT



FIRST USED	12 D36V	
TITLE:	DO NOT SCALE DRAWING	
SHEET 3	PART NO	179320
	REV	



PANEL-SERVICE CENTER
154823-07-CHT

PANEL-SERVICE CENTER
154824-04-CHT

CLIP-GRIPPER
091952-03-000
SCREW
000G39-10-10B

VALVE-BALL
132483-01-000

BRACKET-PUMP,WATER
169229-01-CHT
PANEL-WATER PUMP
149477-04-CHT
FOAM-PAD
140364-01-CHT

FIRST USED	12 D36V	
DO NOT SCALE DRAWING		
TITLE: WATER SYSTEM INSTL		
SHEET 4	PART NO 179320	REV