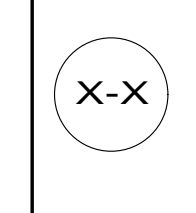


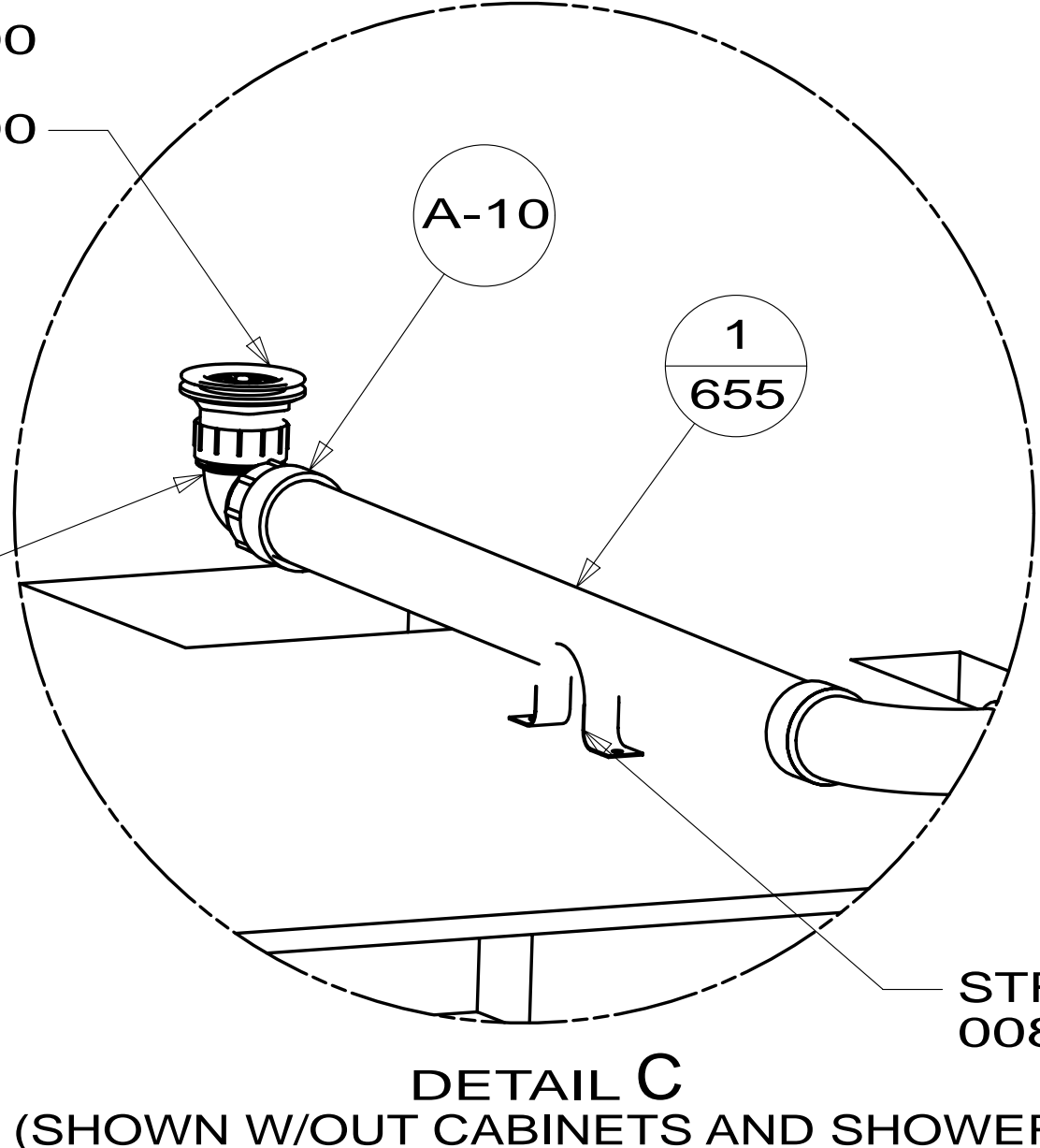
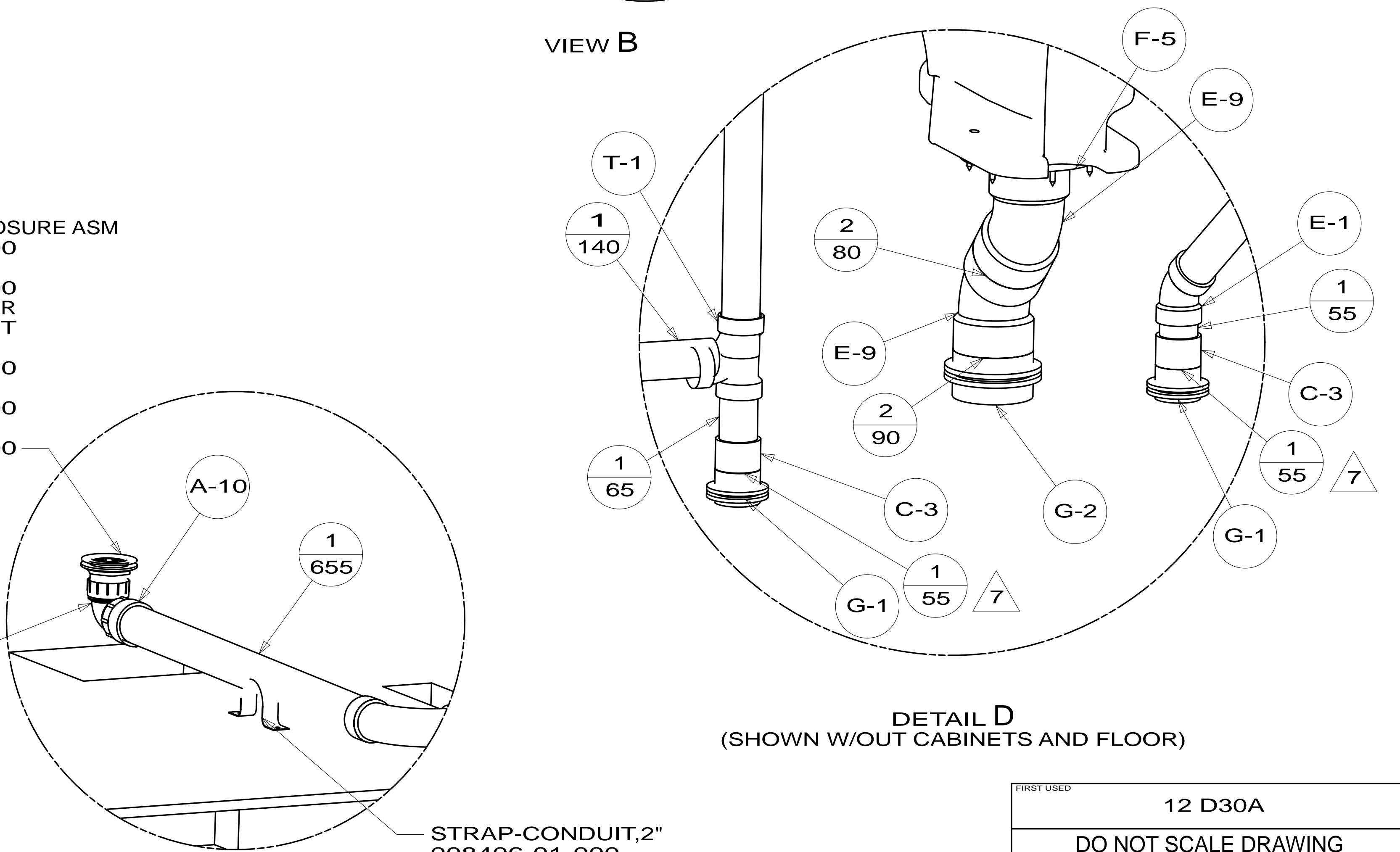
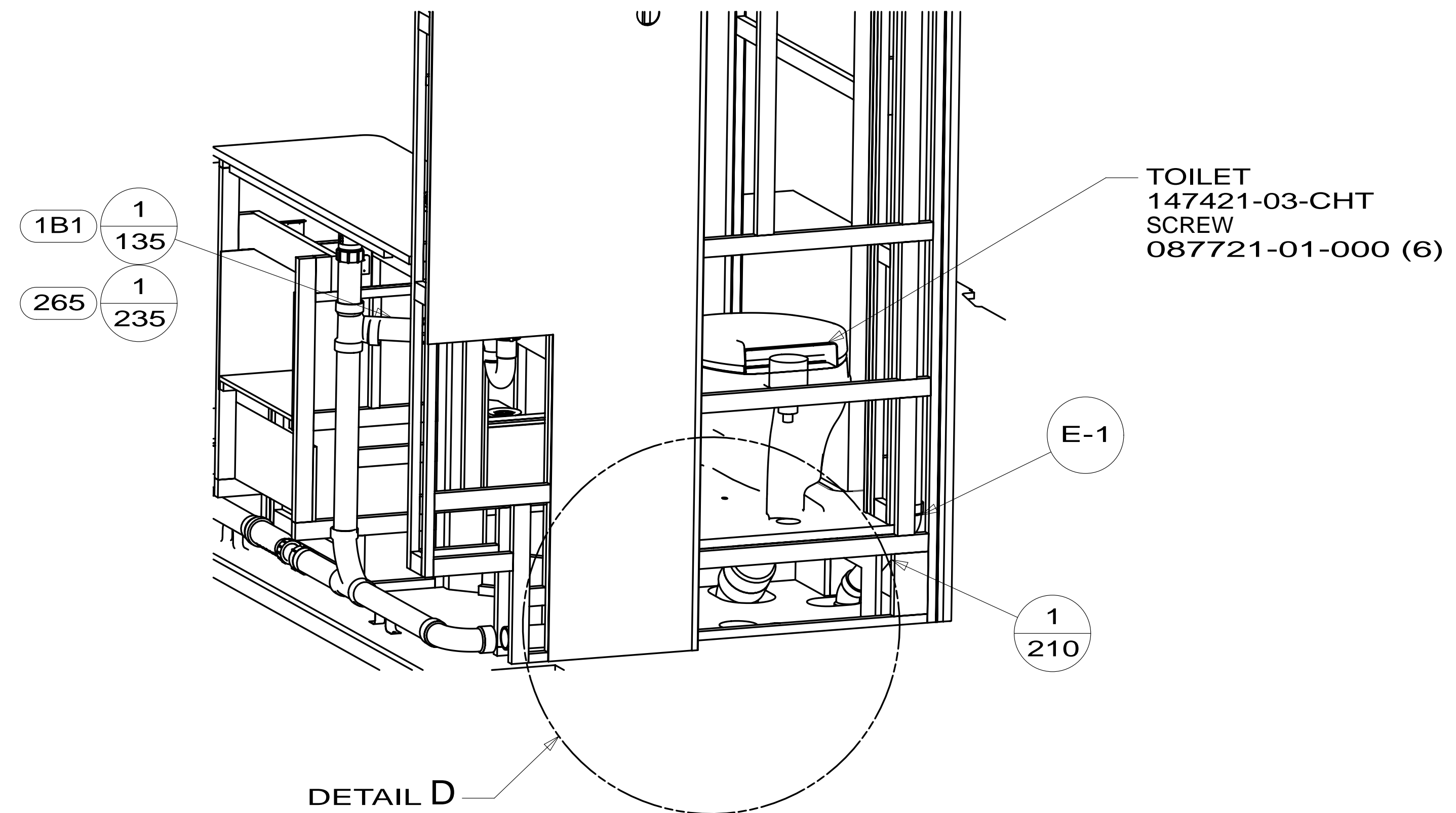
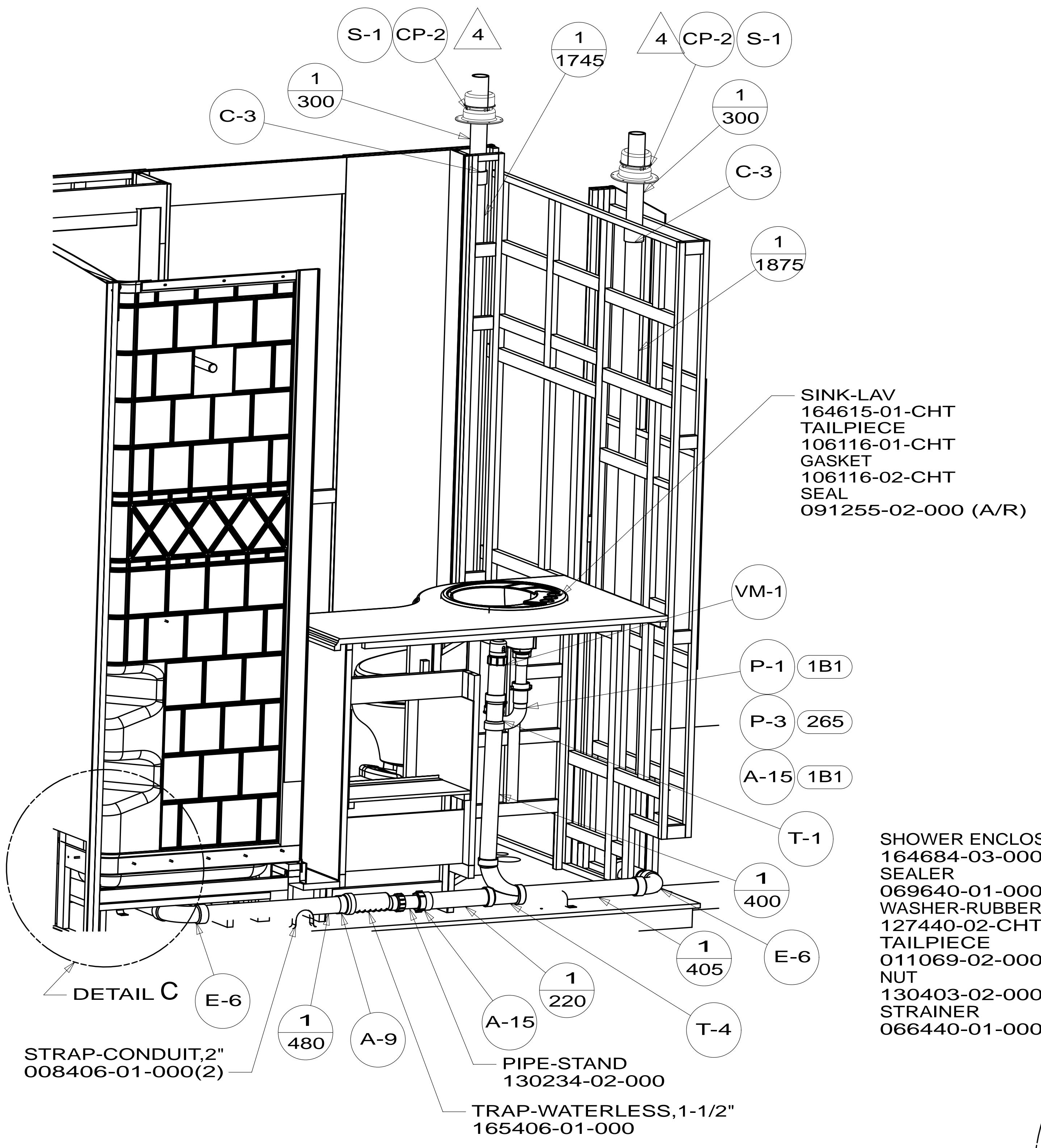
- NOTES:
8. TRIM TAIL PIECE TO FIT.
 7. SECURE VENT PIPE TO TANK WITH CLAMP 062401-02-000.
 6. USE SMOOTH PLUMBERS PUTTY 167459-01-000 TO SEAL STRAINER (.2 PER STRAINER)
 5. SEAL AROUND SHOWER WITH SILICONE.
 4. VENT PIPE MUST PROJECT 51 MIN AND 64 MAX ABOVE ROOF FOR PROPER FIT AND FUNCTION.
 3. ALL PIPE AND FITTINGS TO BE ASSEMBLED WITH SOLVENT 004020-01-000 (US) 004020-02-000 (CAN).
 2. SLOPE OF TRAP ARM MUST BE 6 PER 305 mm.
 1. SLOPE OF HORIZONTAL PIPING TO BE MIN 6 PER 305 mm.

1B1 CODES/STANDARDS-USA
 265 CODES/STDA-CSA/CMVSS

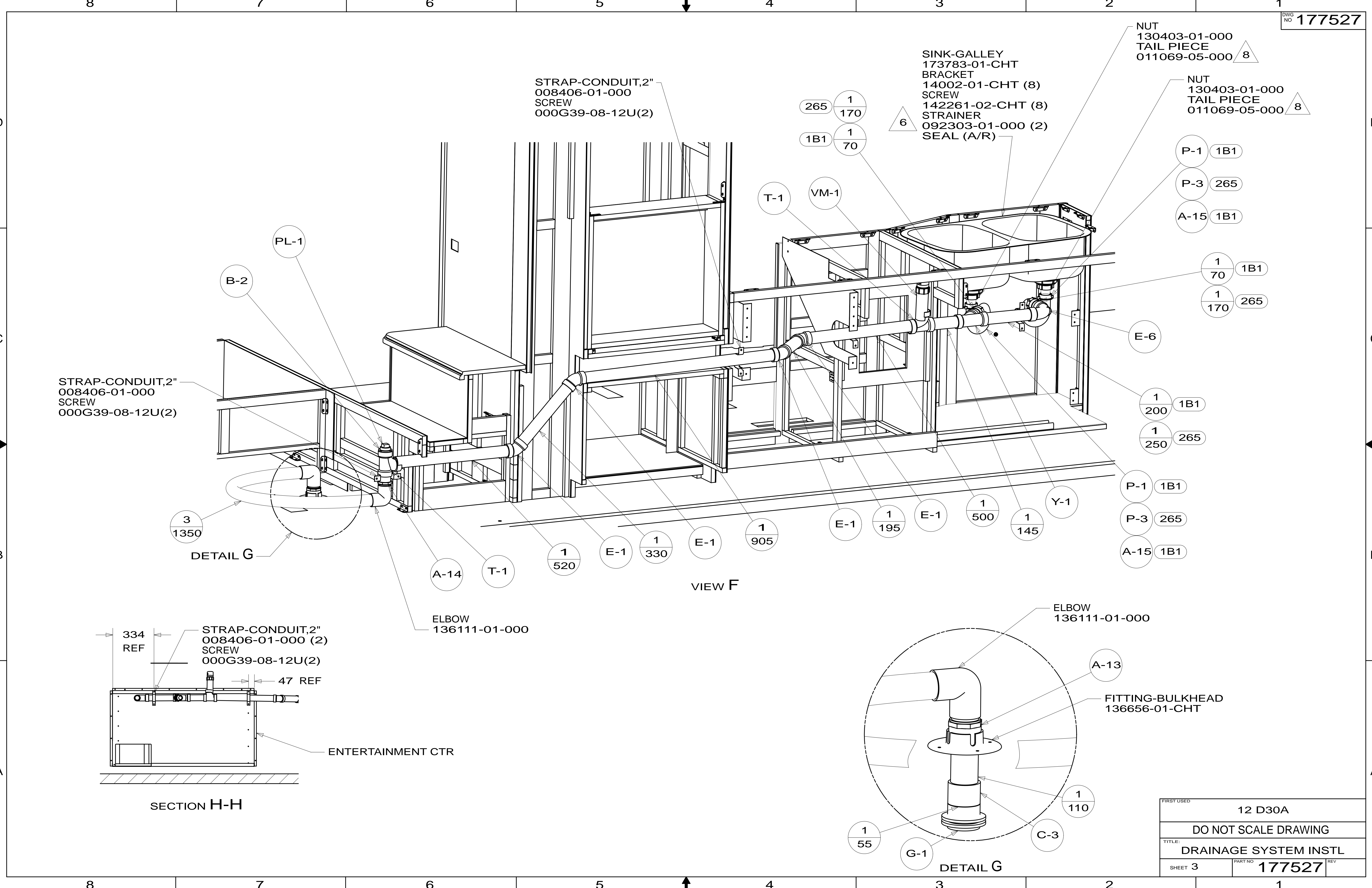
		COPYRIGHT 2012 WINNEBAGO INDUSTRIES, INC.
DFT-ORIG	ORIG. DATE	
CHKR	ALL DIMENSIONS ARE IN MILLIMETERS	
P.E.		
M.E.	FIRST USED	
DSNR	12 D30A	
UNSPECIFIED TOLERANCES ARE:		MATERIAL:
WHOLE DIM (X)	: 3	
ONE-PLACE (X.X)	:	
TWO-PLACE (X.XX)	:	
ANGLE	:	
THIRD ANGLE PROJECTION		
DO NOT SCALE DRAWING		REFER TO ES0018 FOR FASTENER TIGHTENING GUIDELINES
TITLE: DRAINAGE SYSTEM INSTL		
SHEET 1 OF 4	PART NO	177527
REF:	1	

FOR
DRAINAGE
CALLOUTS
SEE DWG NO
116229-01-000

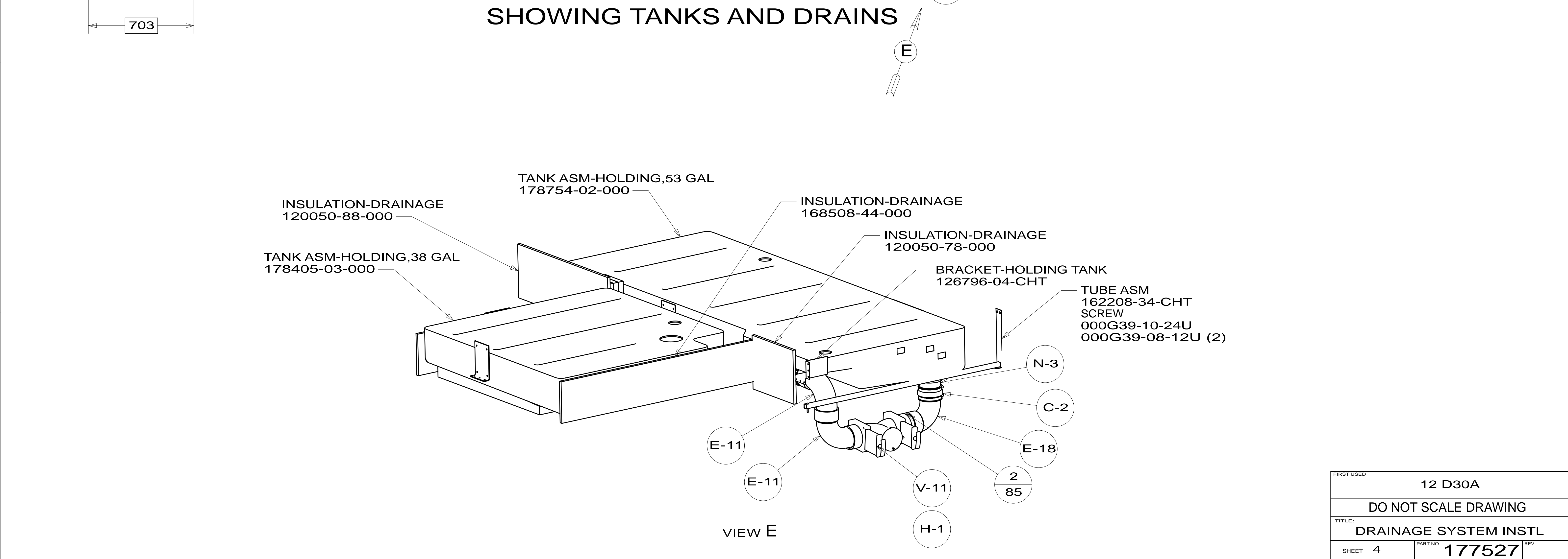
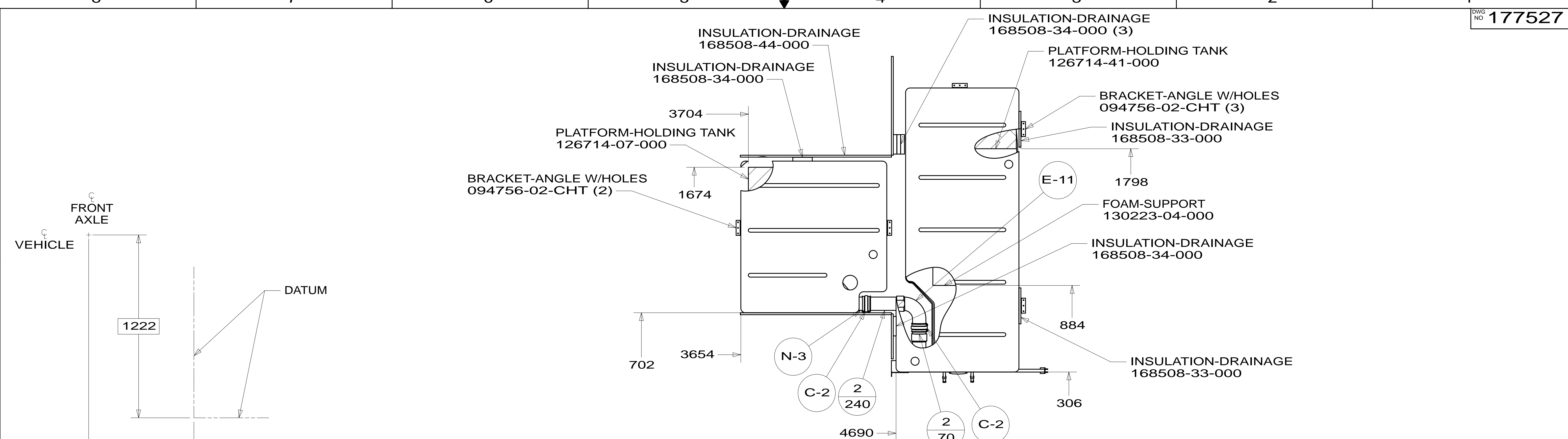




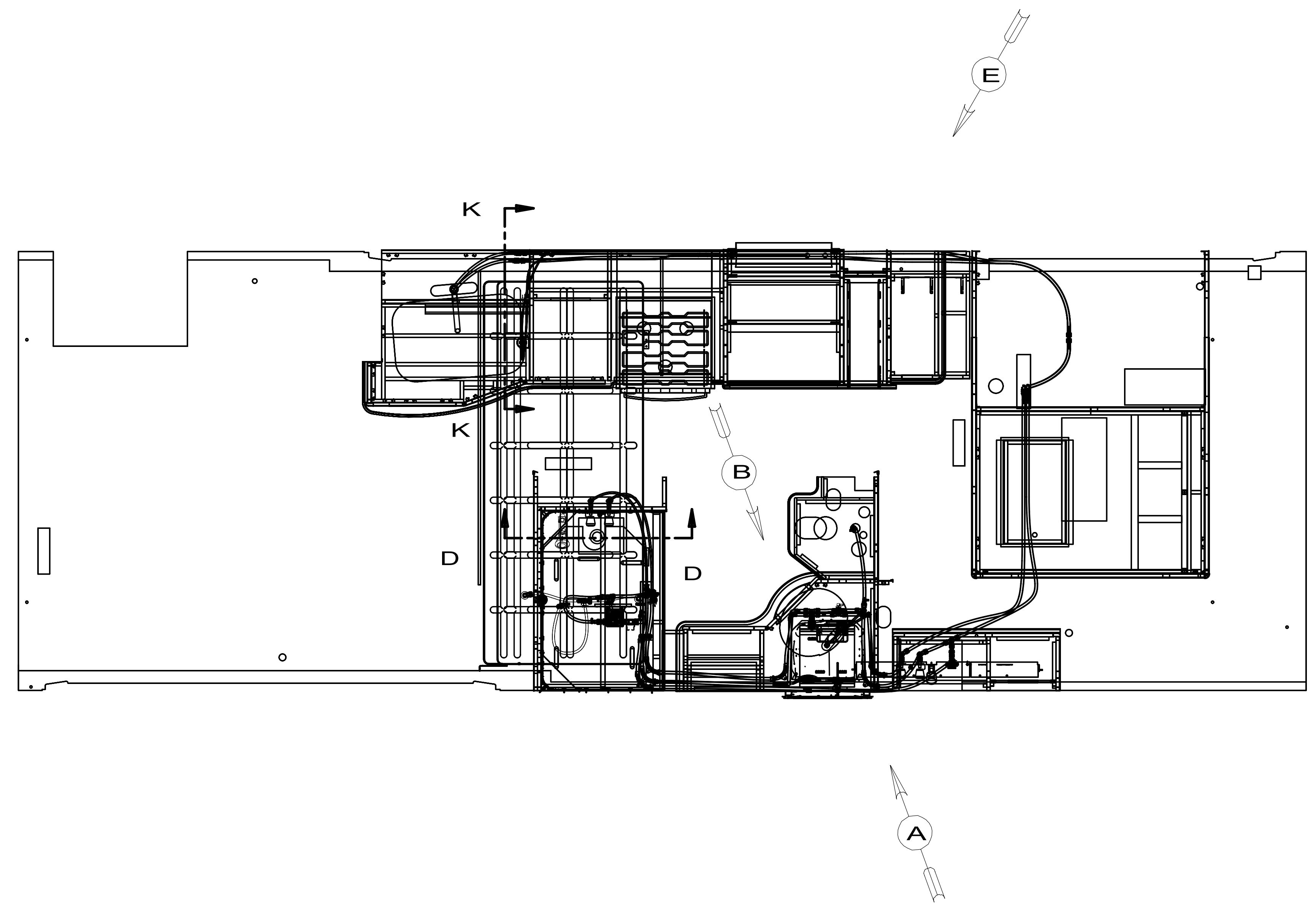
FIRST USED	12 D30A	
TITLE:	DO NOT SCALE DRAWING	
TITLE:	DRAINAGE SYSTEM INSTL	
SHEET 2	PART NO	177527
	REV	



FIRST USED	12 D30A	
TITLE:	DO NOT SCALE DRAWING	
TITLE:	DRAINAGE SYSTEM INSTL	
SHEET 3	PART NO	177527
	REV	



FIRST USED	12 D30A	
TITLE:	DO NOT SCALE DRAWING	
TITLE:	DRAINAGE SYSTEM INSTL	
SHEET 4	PART NO 177527	REV

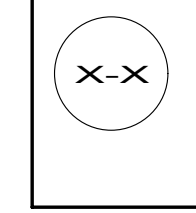


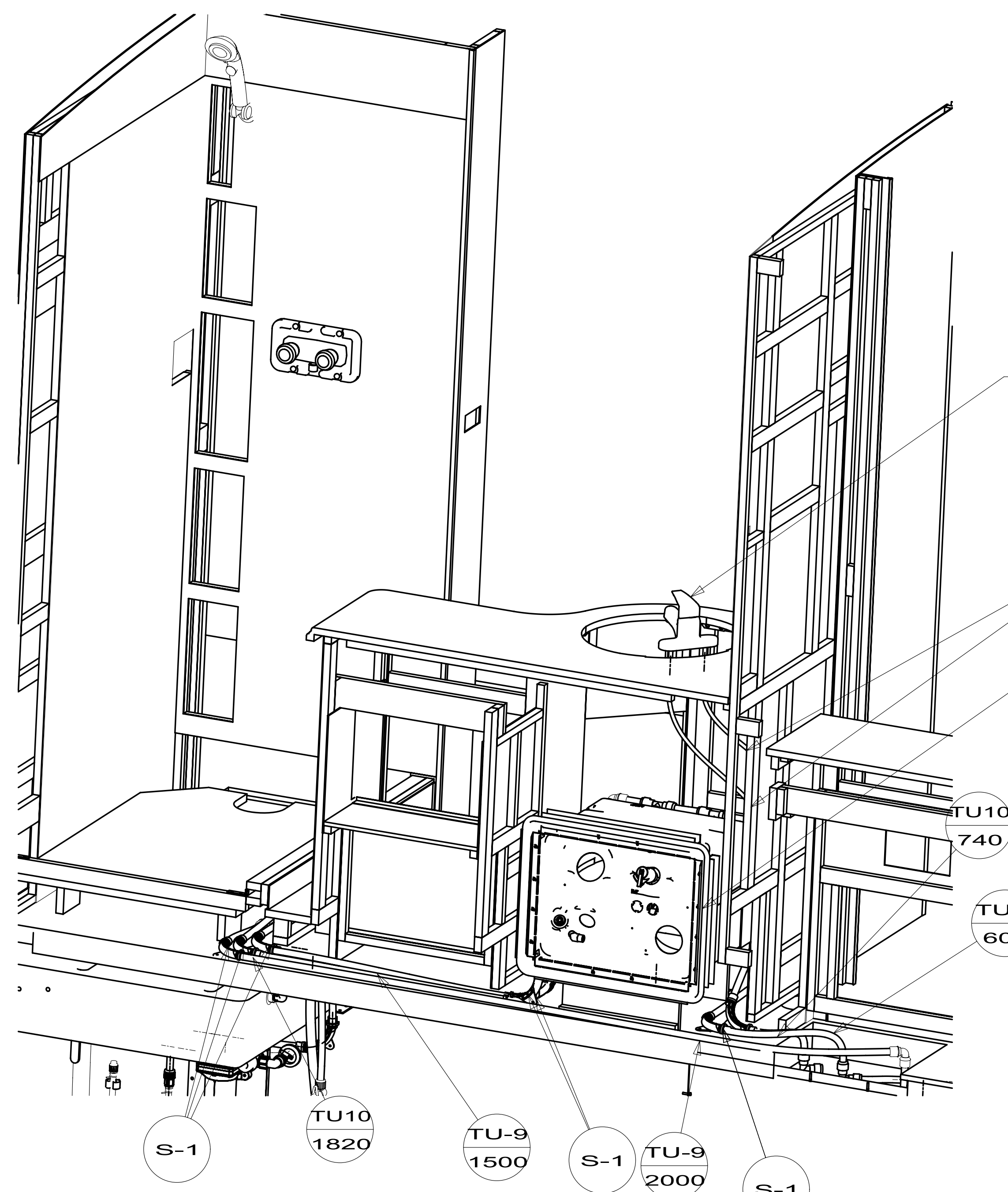
145 REFR-EXTRA CAP W/ICEMAKER

- NOTES:
- 7 ADD PIPE WRAP (LADDER SCRAP 110157-02-000) INSULATION.
 - 6 ADD TEFLON TAPE 010405-03-000.
 - 5 ADD TEFLON TAPE 010405-02-000.
 - 4 TAPE FITTING TO TUBE BEFORE CABINET SET TO PREVENT FITTING FROM MOVING.
3. ALL TUBING TO BE SECURED AT 1200 INTERVALS MAXIMUM WITH CLAMP 010495-01-000 AND SCREW 000G67-10-12B OR EQUIVALENT.
2. TUBING TO BE INSTALLED WITH SUFFICIENT SLOPE TO PROVIDE DRAINAGE TO NEAREST VALVE.
1. PLASTIC FITTINGS TO BE SEALED WITH SEALANT 084456-01-000.

		COPYRIGHT 2011 WINNEBAGO INDUSTRIES, INC.	
DTR	ORIG. DATE	ALL DIMENSIONS ARE IN MILLIMETERS	
CHKR			
P.E.			
M.E.	FIRST USED	12 D30A	
DSNR			
UNSPECIFIED TOLERANCES ARE: WHOLE DIM (X) : 3 ONE-PLACE (X.X) : TWO-PLACE (X.XX) : ANGLE :		MATERIAL:	
THIRD ANGLE PROJECTION			
DO NOT SCALE DRAWING		REFER TO ES0018 FOR FASTENER TIGHTENING GUIDELINES	
TITLE: WATER SYSTEM INSTL			
SHEET 1 OF 4	PART NO 177536	REV	
REF:	1	7/11/2011	

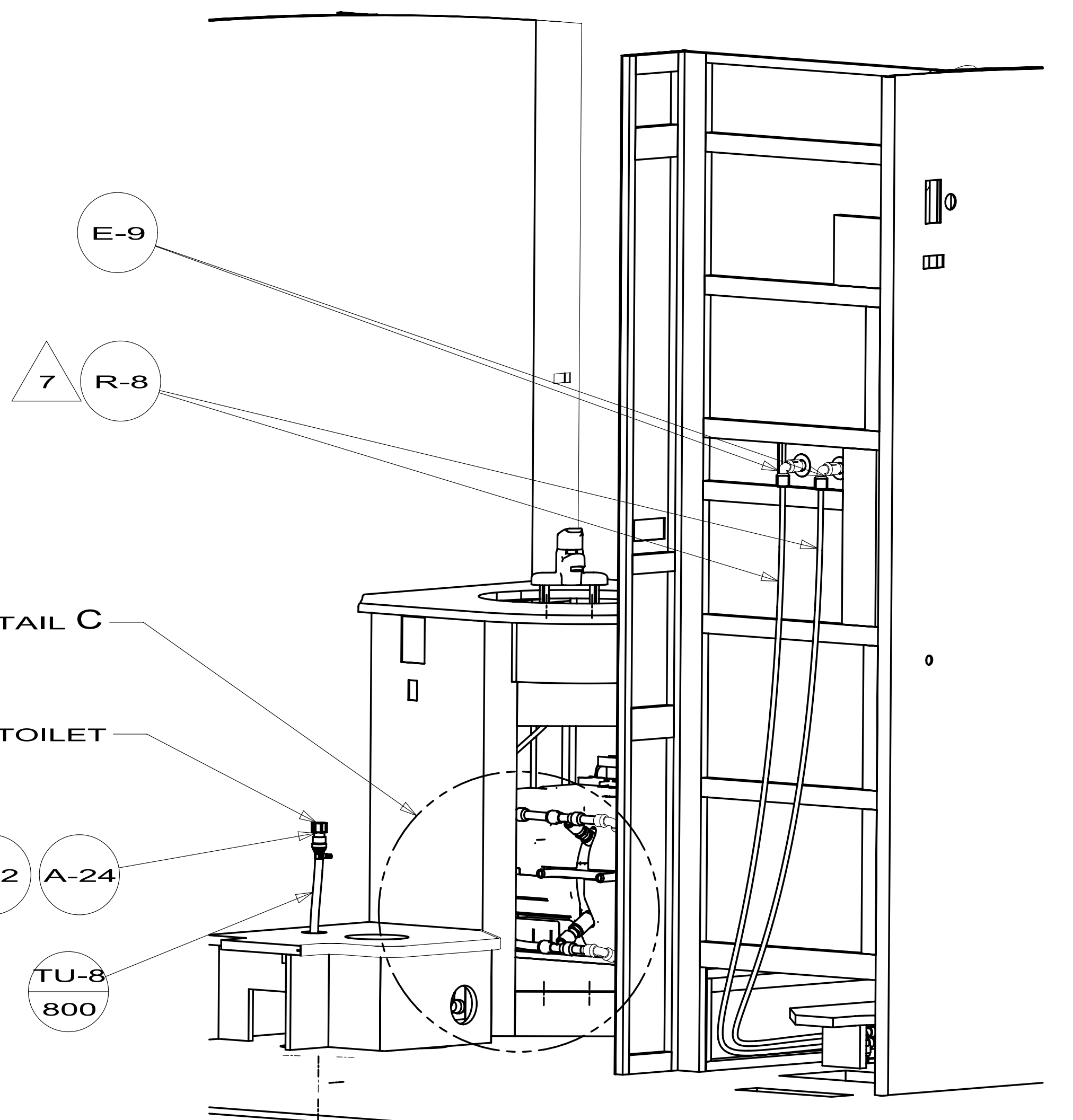
FOR WATER CALLOUTS SEE DWG NO 116230-01-000



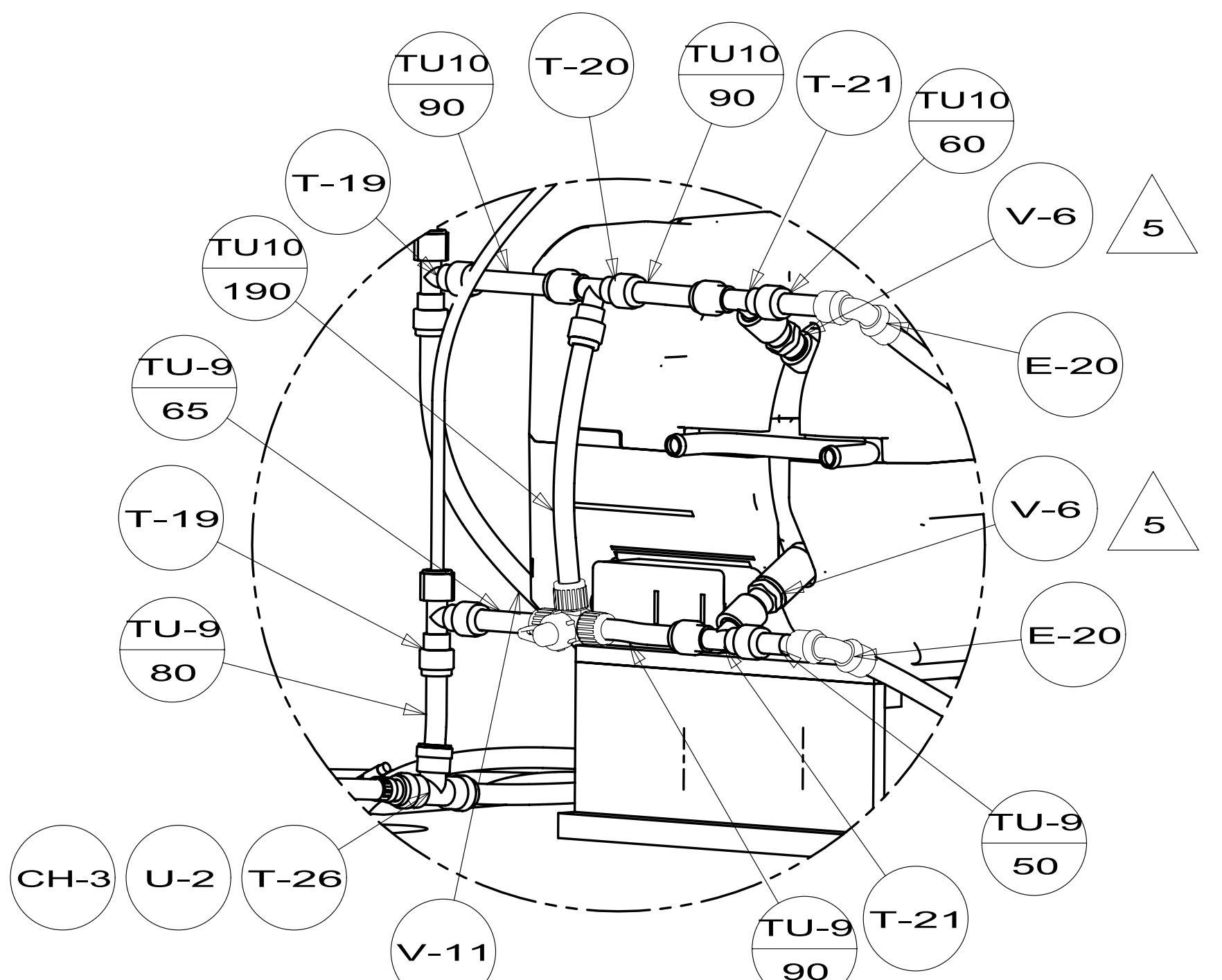


VIEW A

- FAUCET
165730-01-CHT
- WATER HEATER-6 GAL
145541-02-000
- DOOR
125420-06-CHT
- FLANGE-WATER HEATER
152239-01-CHT
- PLATFORM ASM
155334-03-000
- SCREW
000G39-10-48B (2)
- AL EXTR
151293-51-004 (2)
- 151293-51-005 (2)
- SCREW
000G39-10-169 (18)
- CABLE
076767-03-000
- SCREW
000G11-006-08B (2)
- SEALANT



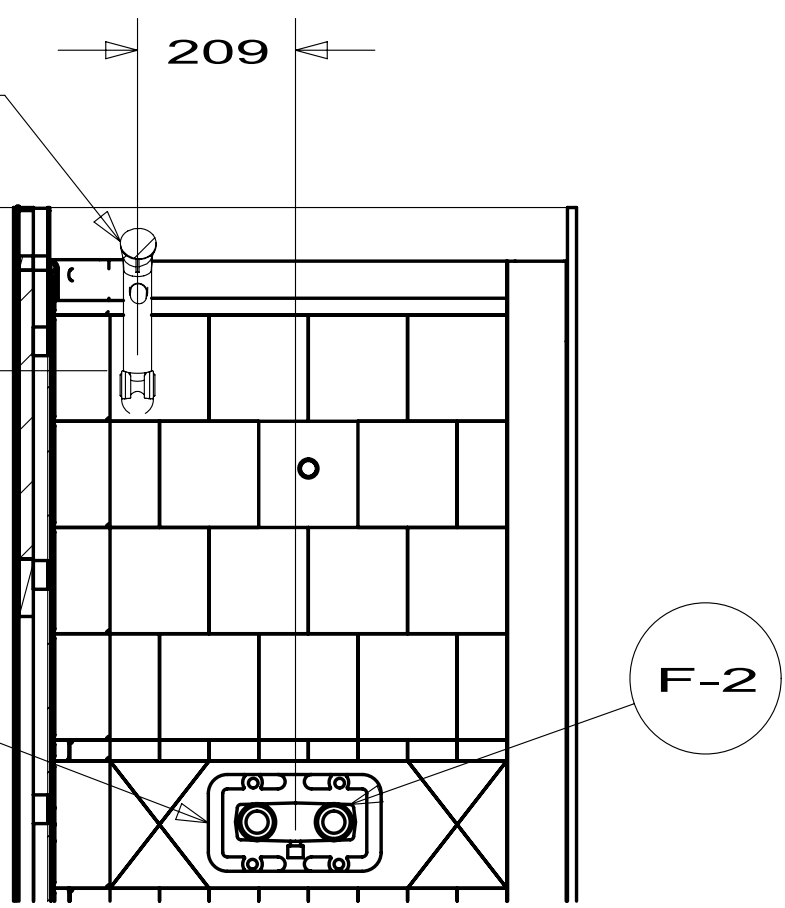
VIEW B



DETAIL C
(SHOWN W/OUT CABINETS)

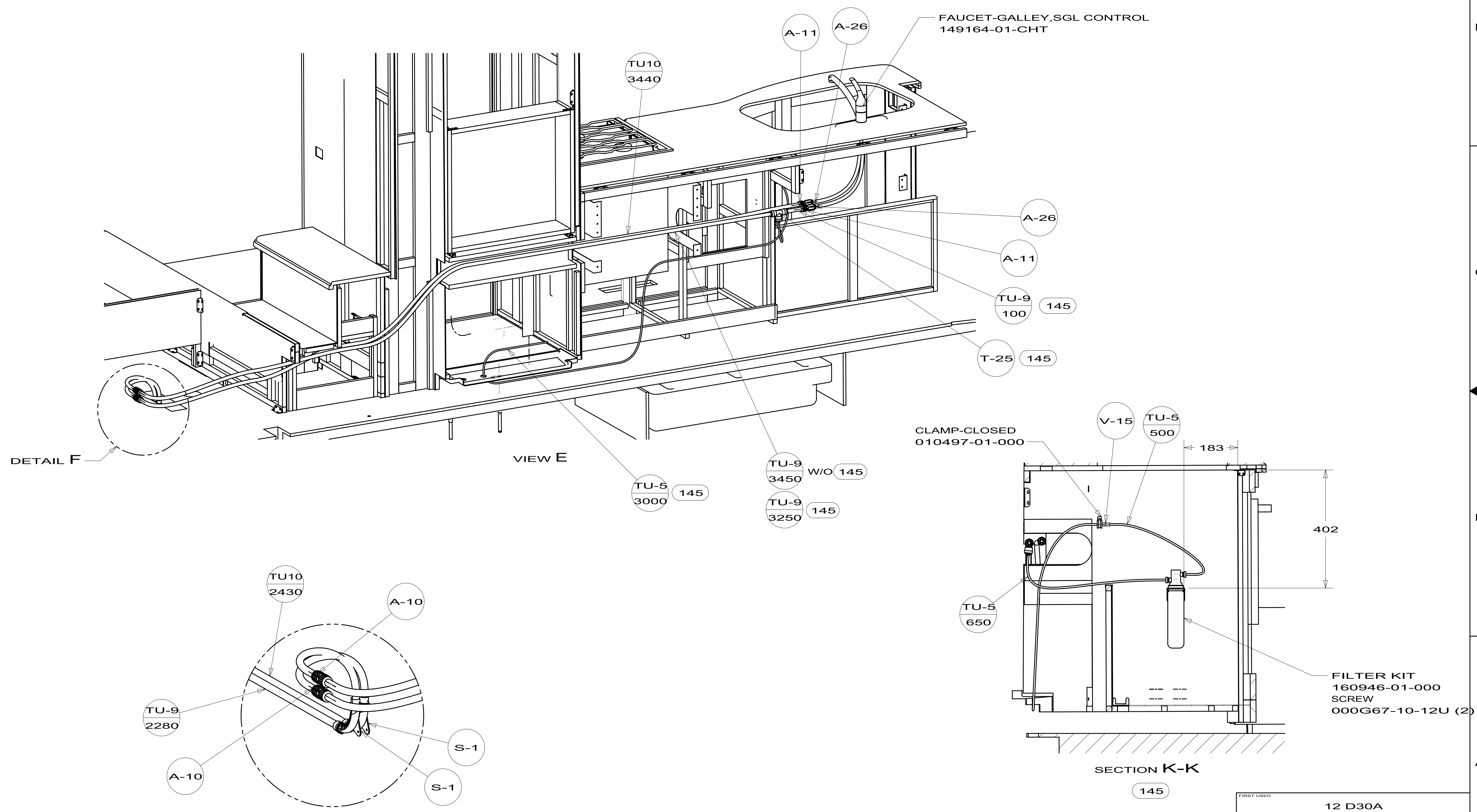
- SHOWER HEAD
176668-01-CHT

- PANEL-SHOWER FAUCET
167738-02-CHT
- SCREW
000G11-08-12U(4)
- COVER
166569-01-CHT(4)



SECTION D-D

FIRST USED	12 D30A	
TITLE:	DO NOT SCALE DRAWING	
	WATER SYSTEM INSTL	
SHEET 2	PART NO	177536



FAUCET-GALLEY, SGL CONTROL
149164-01-CHT

CLAMP-CLOSED
010497-01-000

FILTER KIT
160946-01-000
SCREW
000G67-10-12U (2)

DETAIL F
(SHOWN W/OUT FLOOR)

SECTION K-K

FIRST USED	12 D30A	
TITLE:	DO NOT SCALE DRAWING	
SHEET 3	PART NO	177536
	REV	

INSULATION
120050-63-000

INSULATION
120050-88-000

BRACKET-ANGLE
094756-02-CHT

TANK ASM-WATER,82 GAL
178136-03-000

BRACKET-ANGLE
094756-02-CHT

BRACKET-ANGLE
094756-02-CHT

DATUM OF FLOOR

H

G

1222

703

2590

144

SHOWN TOP VIEW COMPTS UNDER FLOOR

PANEL-SERVICE CENTER
150123-08-CHT
SCREW
000G39-08-08U (2)

STL-TUBE
123963-38-CHT
BOLT
000C26-06-28U (2)

E-37

TU-9
155

E-20

E-37

T-19

E-42

TU-9
610

TU-9
70

SCREW
000G60-08-12U

F-2

SH-1

V-12

SCREW
000G11-08-12U (2)

F-13

SCREW
000G11-08-12U (4)

E-37

TU-9
155

E-20

E-37

T-19

E-42

TU-9
610

TU-9
70

TU10
520

SCREW
000G60-08-12U

F-2

SH-1

V-12

SCREW
000G11-08-12U (2)

F-13

SCREW
000G11-08-12U (4)

6

CI-3

A-5

CH-2

TU-3
850

V-13

GROMMETT
071015-26-000(2)

VIEW G

PANEL-SERVICE CENTER
150122-09-CHT
SCREW
000G39-08-08U (2)

V-13

V-13

PANEL-SERVICE CENTER
150123-07-CHT
SCREW
000G39-08-08U (2)

PANEL-SERVICE CENTER
150122-08-CHT
SCREW
000G39-08-08U (2)

S-1

TU-8
375

TU-9
180

VIEW L

T-26

U-2

CH-3

TU-8
450

TU-9
50

A-17

A-5

CH-2

VALVE-BALL
132483-01-000

TU-9
300

V-11

A-24

U-2

CH-3

F-9

E-37

CH-1

TU13
400

PW-5

TU-9
250

F-5

TU10
330

F-5

TU15
610

CLAMP-CLOSED
010497-03-000 (3)
RIVET
113133-03-CHT (3)

PANEL-WATER PUMP
149477-04-CHT
FOAM-PAD
140364-01-CHT

E-38

U-2

CH-3

CLAMP-CLOSED
010497-03-000
RIVET
113133-03-CHT

TU-9
60

TU-9
60

A-23

TU-9
40

E-20

T-19

E-38

TU-9
90

E-38

TU-9
110

E-20

TU-9
TO TANK

TU-9
TO GALLEY

TU-9
130

T-21

T-20

TU-9
TO LAVATORY

TU-10
TO LAVATORY

T-20

TU10
100

E-38

TU-9
90

E-38

U-2

CH-3

VIEW H

DETAIL J
(SHOWN W/OUT PANEL-SERVICE CENTER)

FIRST USED	12 D30A
DO NOT SCALE DRAWING	
TITLE: WATER SYSTEM INSTL	
SHEET 4	PART NO 177536 REV