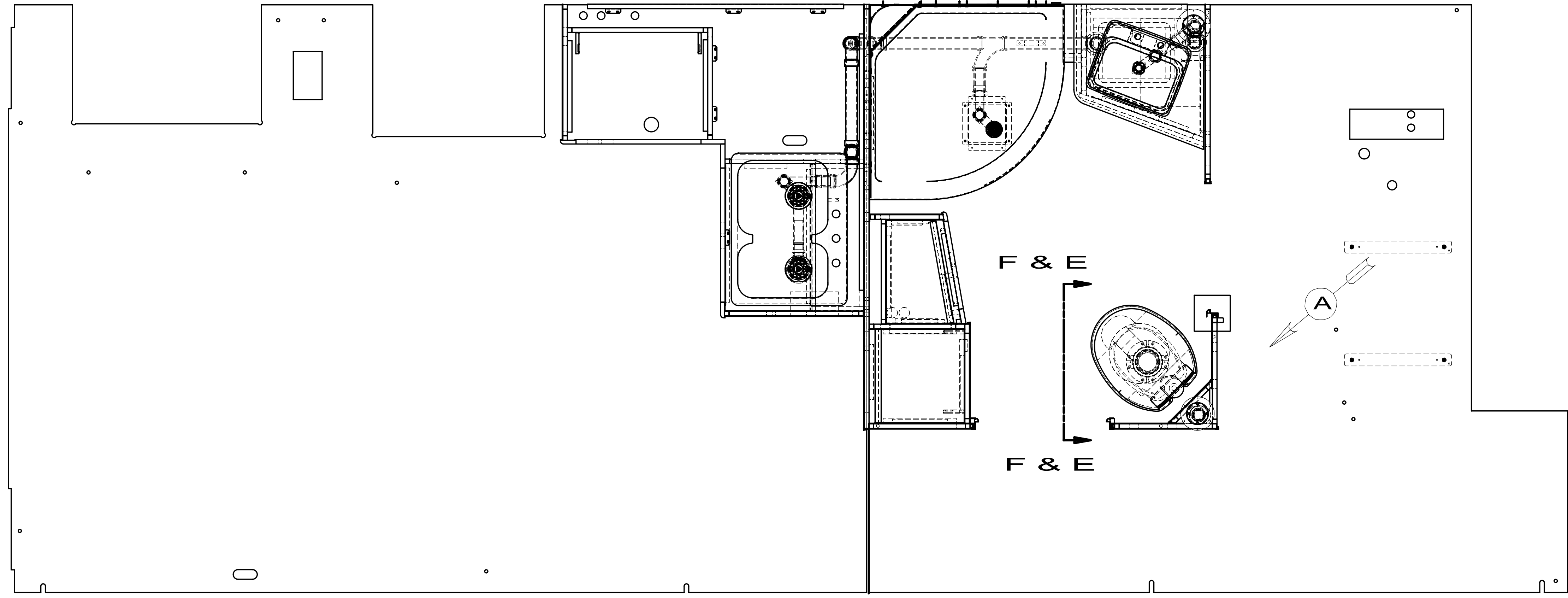


DWG NO	MODEL	SECTION
179043-01	231R	E-E
179043-02	231RP	F-F

RELEASE	REV DATE	DWG NO	179043
REV ZONE	REVISION RECORD	DATE	DFT-ORIG



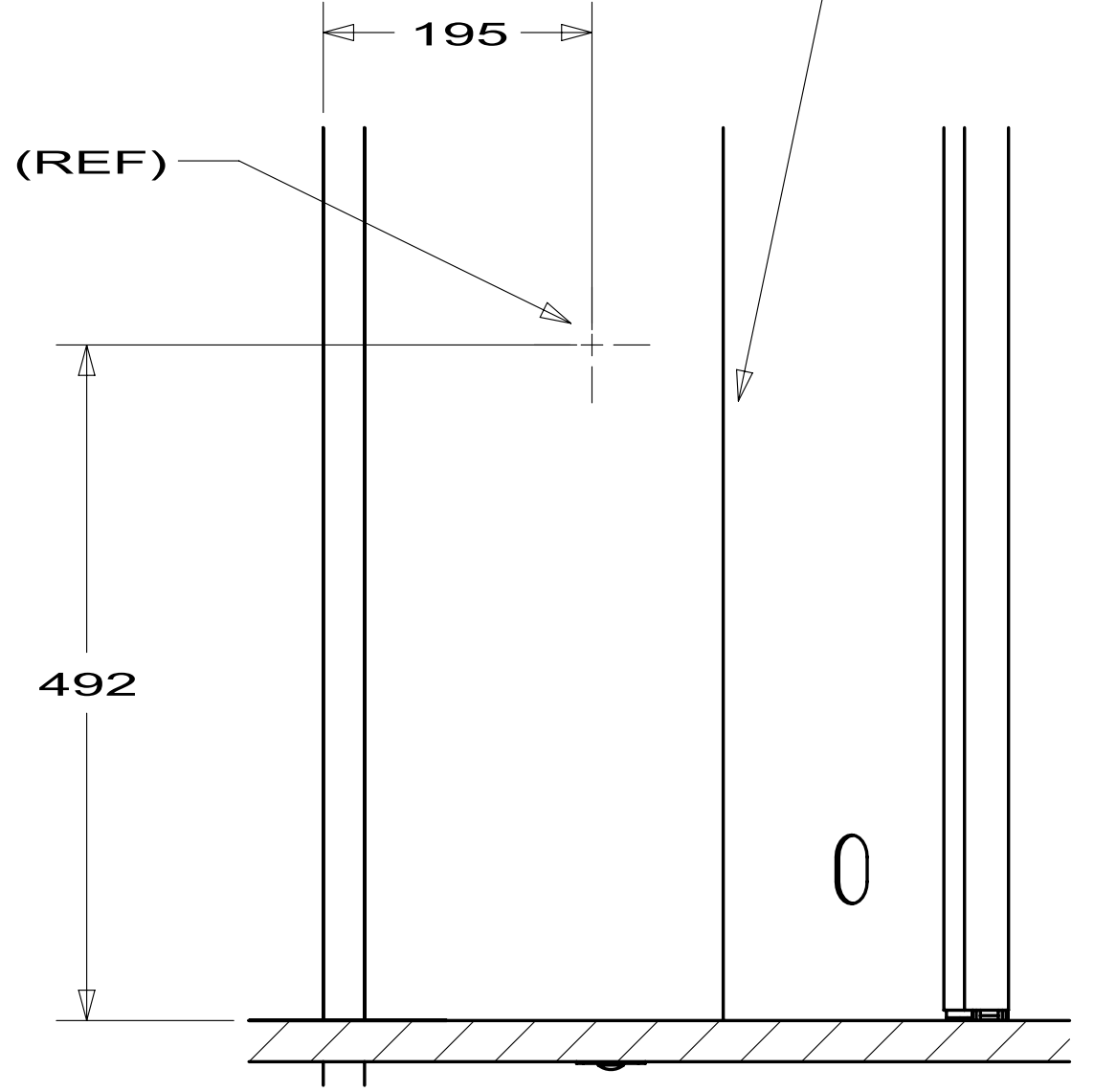
- NOTES:
10. USE SMOOTH PLUMBERS PUTTY 167459-01-000 TO SEAL STRAINER (0.2 PER STRAINER).
 9. PREP THE SURFACE PER MANUFACTURERS INSTRUCTIONS, THEN APPLY ADHESIVE 067788-04-000 (0.10) ON PREPARED AREA BEFORE APPLYING THE HEATING PAD PER MANUFACTURERS INSTRUCTIONS.
 8. SECURE PIPES TO CABINET USING WIRE TIE 108046-02-000 AND SCREW 000G67-10-12B.
 7. SECURE VENT TUBES TO FLOOR WITH CLAMP 062401-02-000 (2), SCREW 000G67-10-12B (2), AND BRACKET 136878-01-CHT (2).
 6. VENT PIPE MUST PROJECT 51 MIN AND 64 MAX ABOVE ROOF FOR PROPER FIT AND FUNCTION.
 5. SEAL AROUND SHOWER WITH SILICONE.
 4. SEE WIRING INSTL-BODY, 12V FOR ELECTRICAL CONNECTION.
 3. ALL PIPE AND FITTINGS TO BE ASSEMBLED WITH SOLVENT 004020-01-000 (USA), 004020-02-000 (CAN)
 2. SLOPE OF TRAP ARM MUST BE 6 PER 305 mm.
 1. SLOPE OF HORIZONTAL PIPING TO BE MIN 3 PER 305 mm.

- 1B1 CODES/STANDARDS-USA
- 265 CODES/STANDARDS-CSA/CMVSS
- 23T DRAINAGE SYSTEM-HEATED

		COPYRIGHT 2012 WINNEBAGO INDUSTRIES, INC.
DFT-ORIG	ORIG. DATE	
CHKR	ALL DIMENSIONS ARE IN MILLIMETERS	
P.E.		
M.E.	FIRST USED	
DSNR	12 231R	
UNSPECIFIED TOLERANCES ARE:		MATERIAL:
WHOLE DIM (X)	: 3	
ONE-PLACE (X.X)	: 1.5	
TWO-PLACE (X.XX)	: 0.50	
ANGLE	: 1°	
THIRD ANGLE PROJECTION		
DO NOT SCALE DRAWING		REFER TO ES0018 FOR FASTENER TIGHTENING GUIDELINES
TITLE: DRAINAGE SYSTEM INSTL		
SHEET 1 OF 3	PART NO 179043	REV

FOR DRAINAGE CALLOUTS SEE DWG NO 116229-01-000

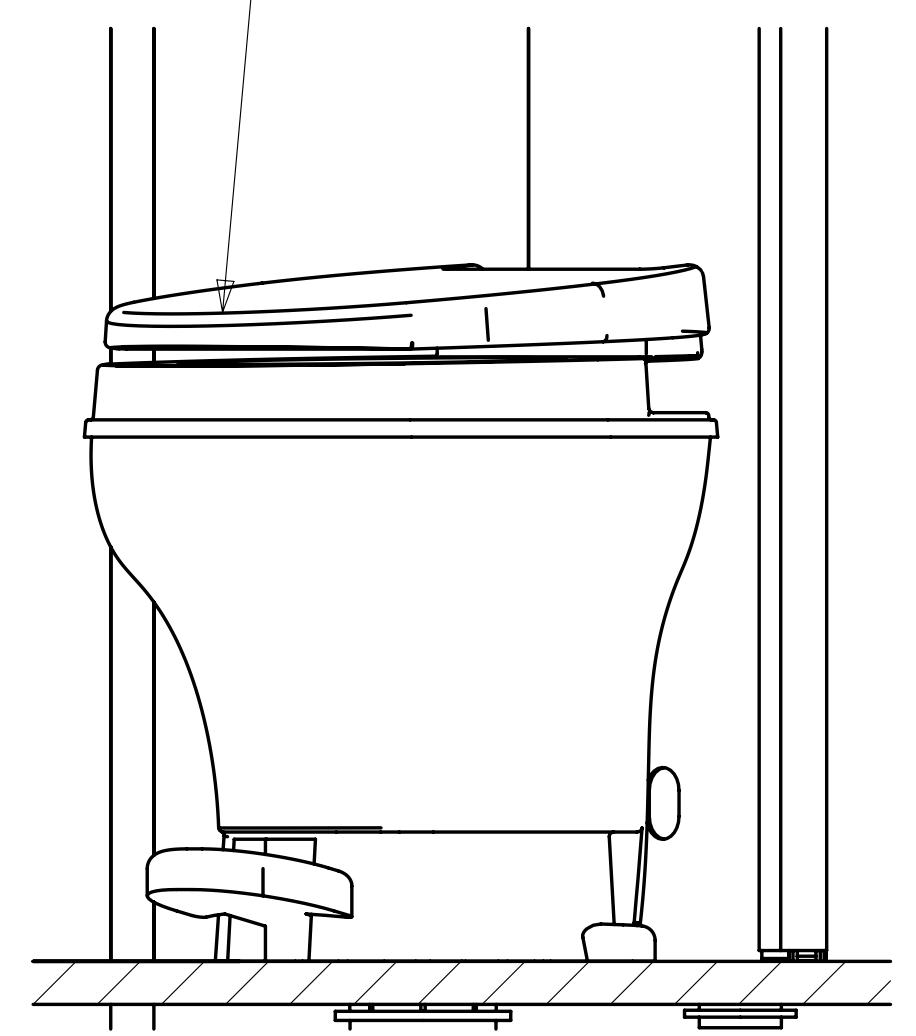
TOILET
160815-01-CHT
SCREW
087721-01-000 (6)



SECTION F-F

SINK
163942-03-CHT
STRAINER
092303-01-000 (2) 10
SEAL
091255-03-000
(2130)

TOILET
147421-04-000
SCREW
087721-01-000 (6)



SECTION E-E

TOILET SPRAYER (REF)

SINK
096927-01-CHT
SEAL
091255-02-000(A/R)

- 1B1 A-15
- 265 P-3
- 1B1 P-1
- 265 130
- 1B1 80
- F-6
- N-3
- G-2
- T-1
- E-5
- E-5
- 1 440
- P-1 1B1
- P-3 265
- A-15 1B1
- 1 80 1B1
- 1 170 265
- 1 55
- 1 340
- 1 410
- G-1 7
- 1 95
- 1 155
- 1 105
- 1 85
- 1 355

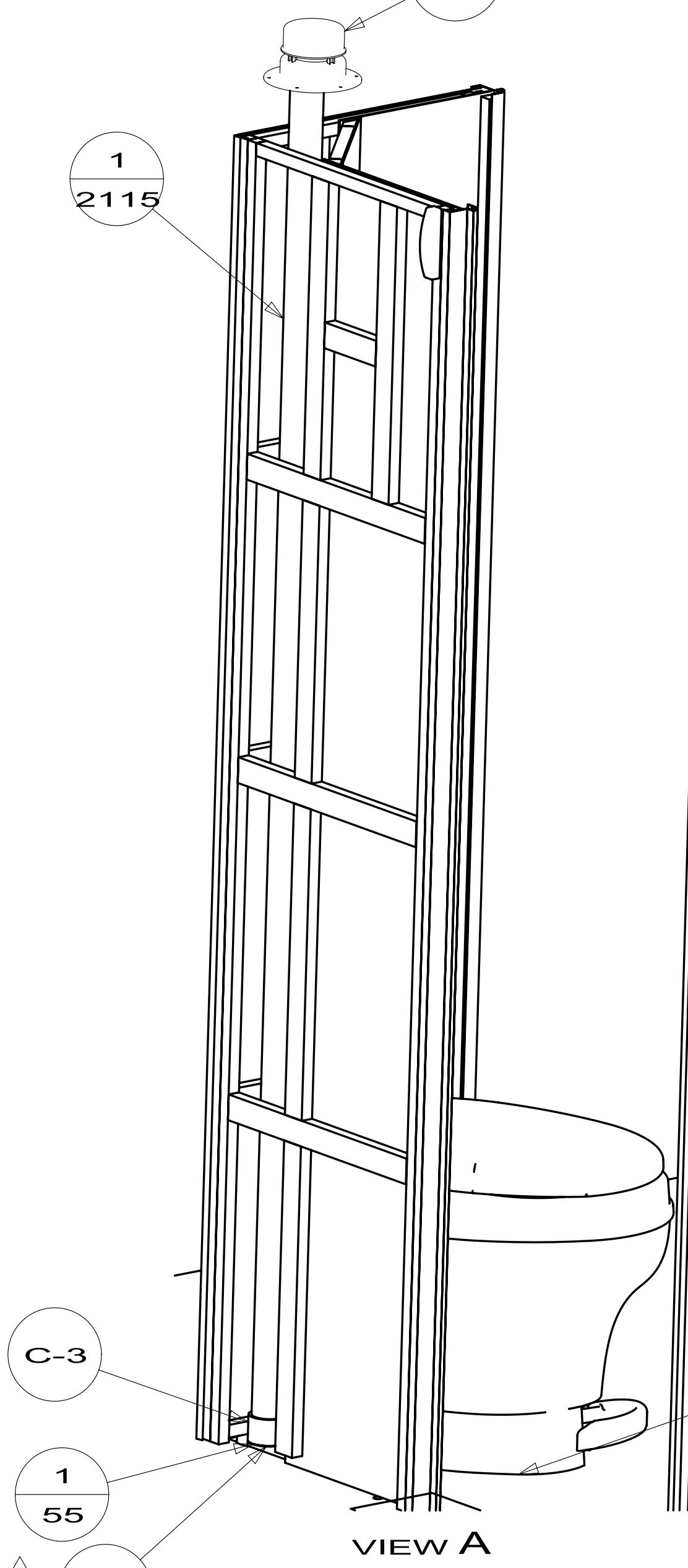
STRAP-CONDUIT, 2"
008406-01-000

VIEW B

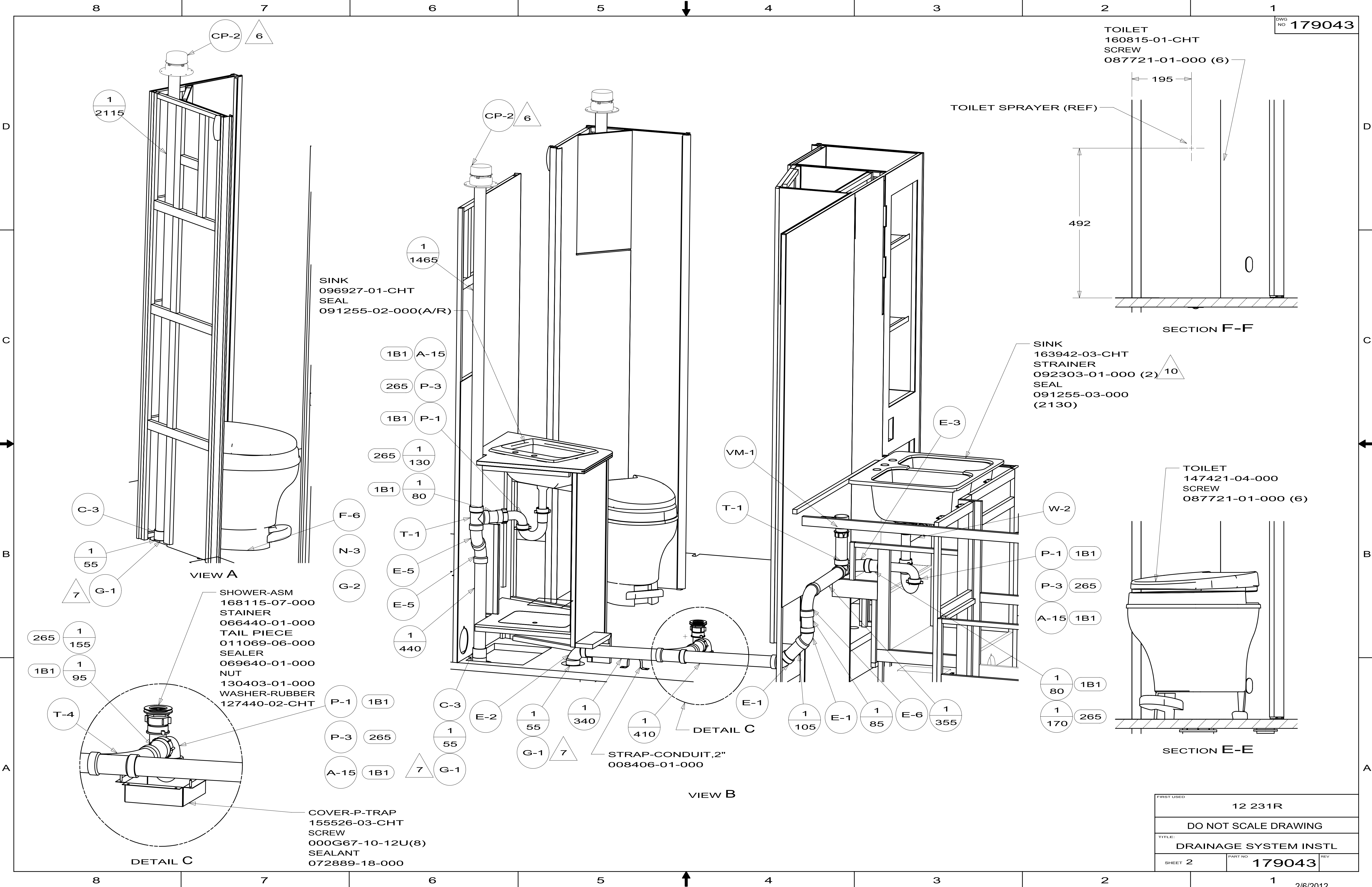
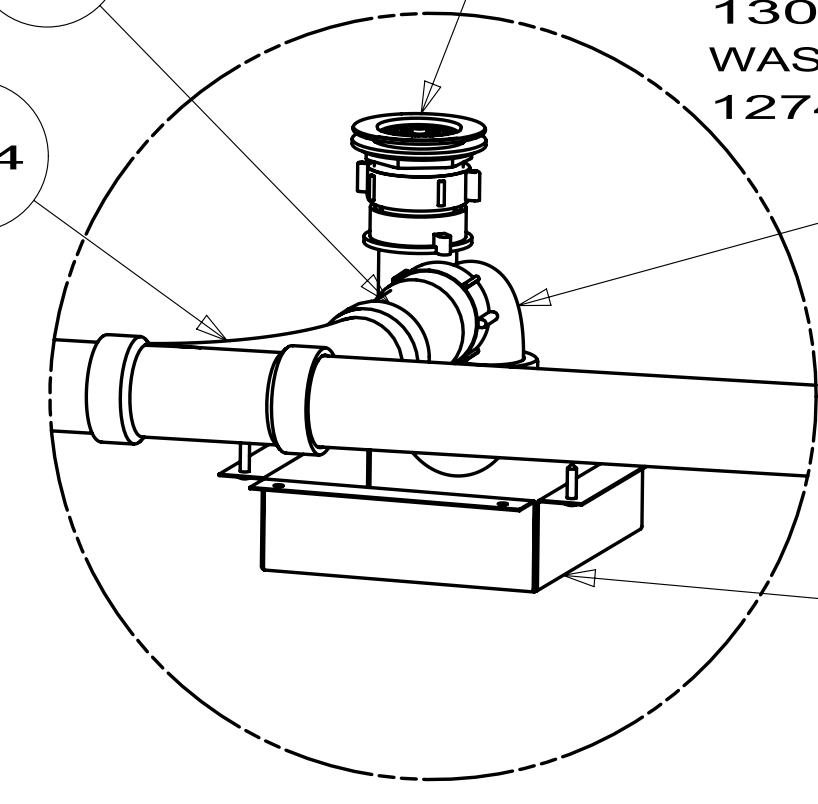
SHOWER-ASM
168115-07-000
STAINER
066440-01-000
TAIL PIECE
011069-06-000
SEALER
069640-01-000
NUT
130403-01-000
WASHER-RUBBER
127440-02-CHT

COVER-P-TRAP
15526-03-CHT
SCREW
000G67-10-12U(8)
SEALANT
072889-18-000

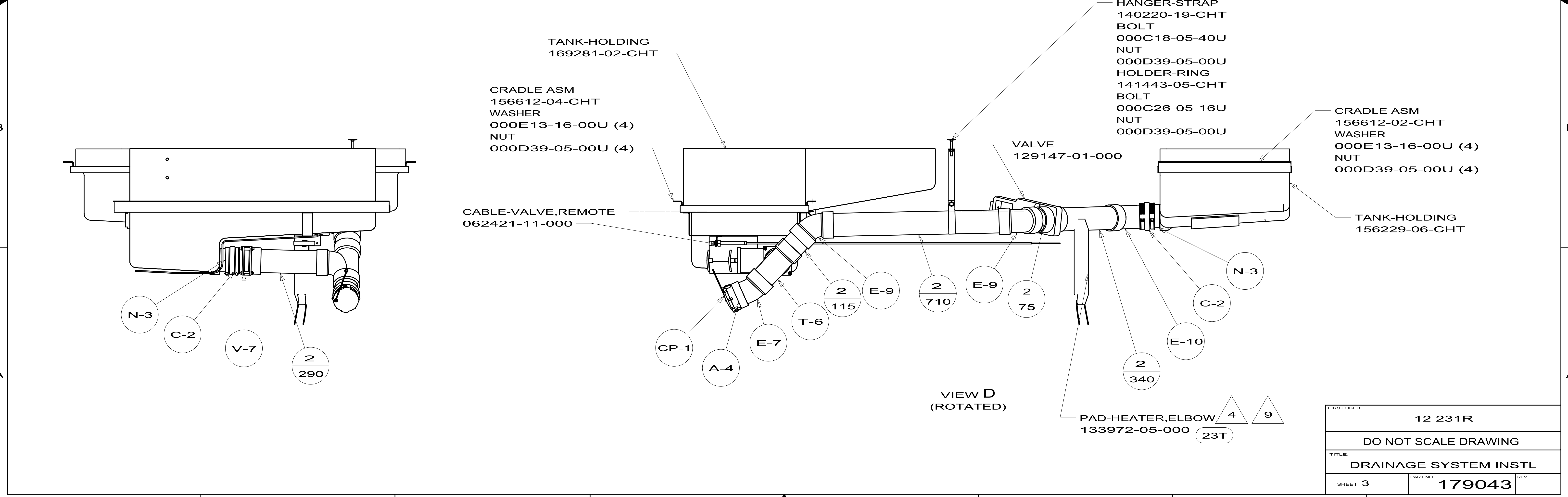
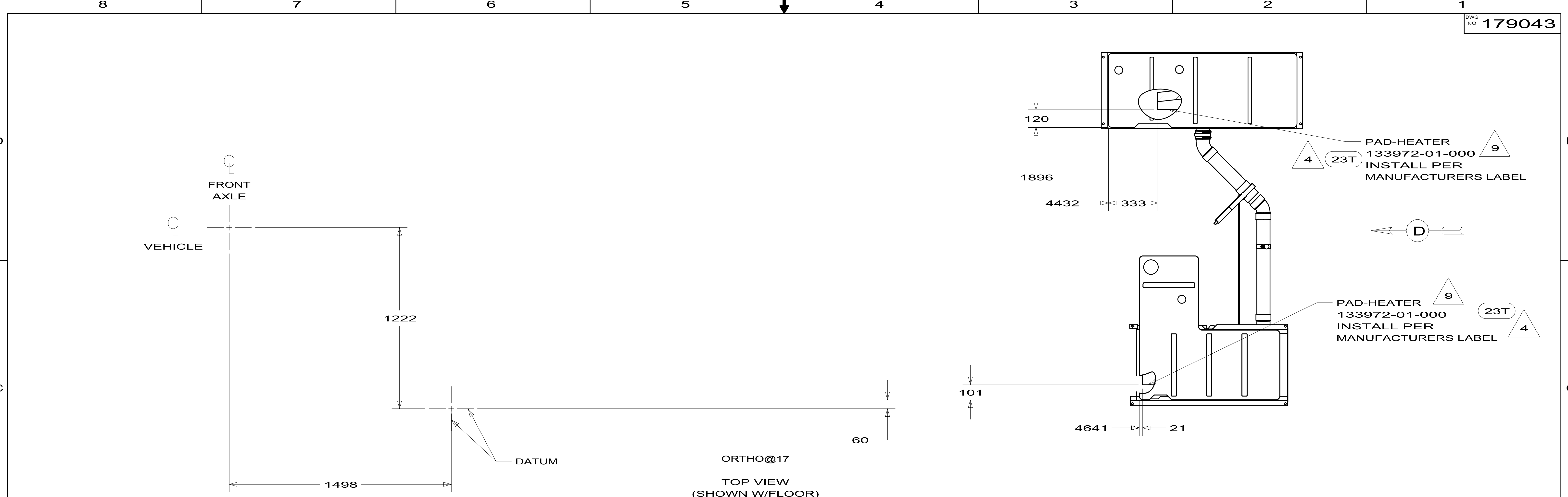
DETAIL C



VIEW A



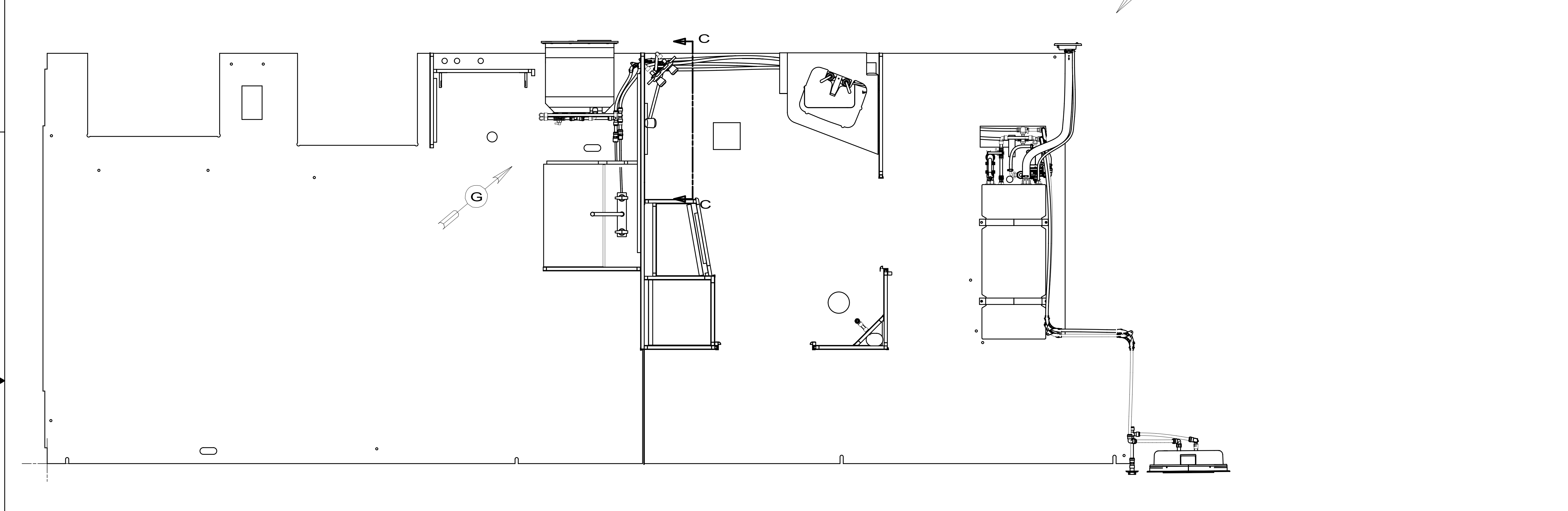
FIRST USED	12 231R	
TITLE:	DO NOT SCALE DRAWING	
	DRAINAGE SYSTEM INSTL	
SHEET 2	PART NO. 179043	REV



FIRST USED	12 231R	
TITLE:	DO NOT SCALE DRAWING	
	DRAINAGE SYSTEM INSTL	
SHEET 3	PART NO 179043	REV

DWG NO	MODEL	VIEWS OR DETAILS
179622-01	231R	D, M, & H
179622-02	231RP	E, L, & J

RELEASE	REV DATE	DWG NO	179622
REV ZONE	REVISION RECORD	DATE	DTR-ORIG

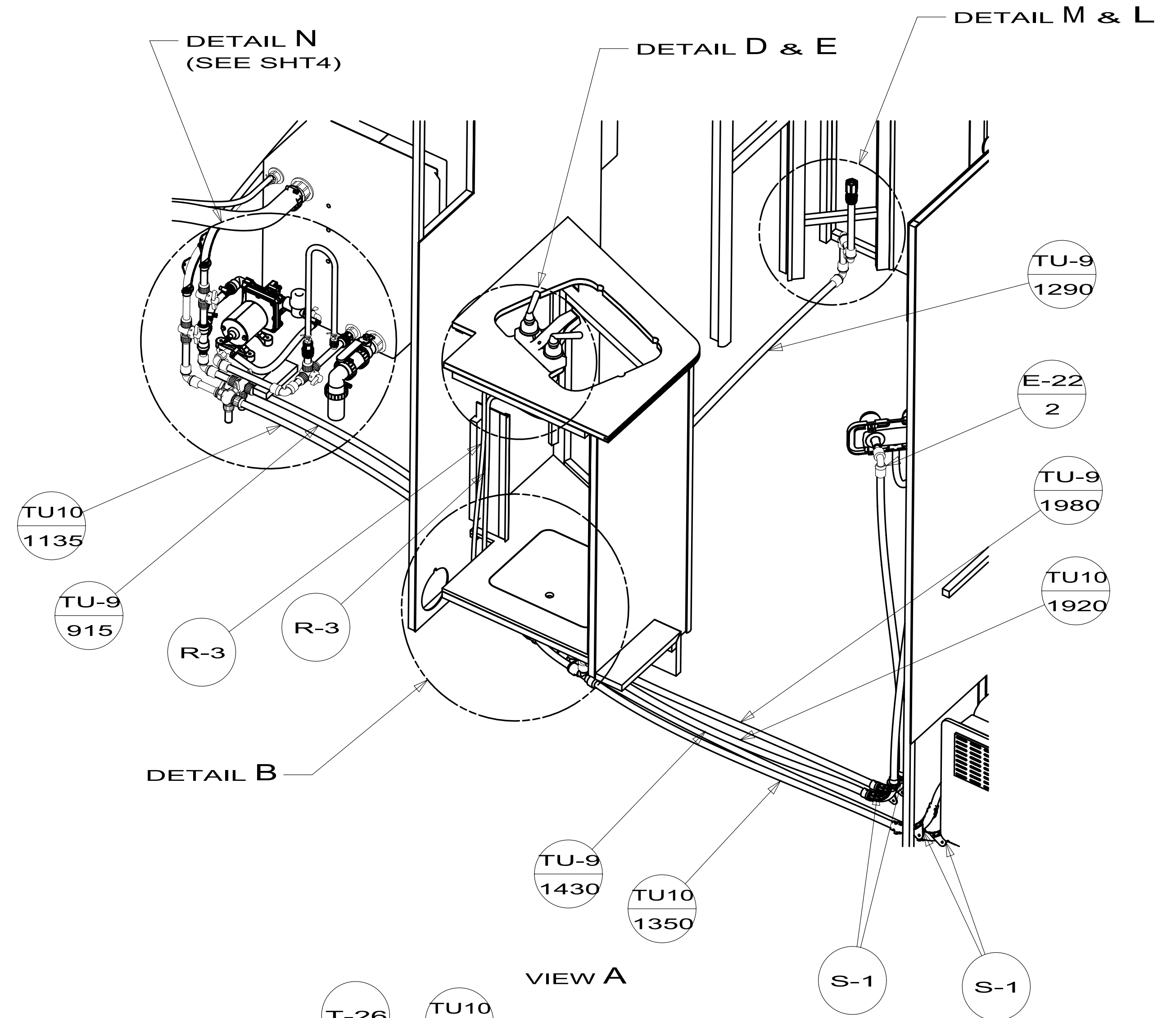


- 1J4 EXT WASH STATION - WITHOUT
- 64R EXTERIOR WASH STATION
- 53Z WATER HTR-6, GAS/120/IGN, REM
- 53F WATER HEATER-ELEC. IGNITION
- 53E WATER SYS WINTERIZATION PKG

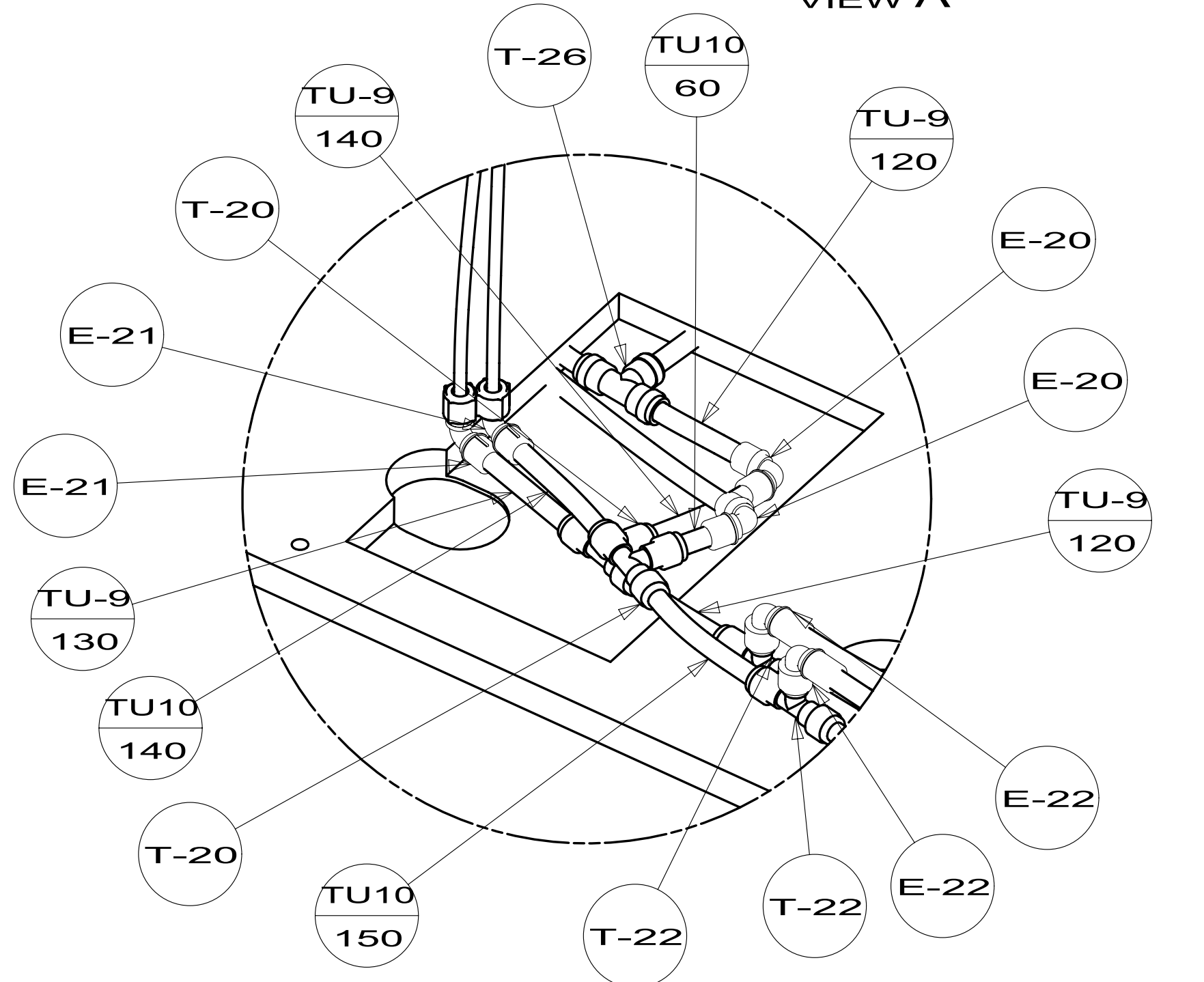
- NOTES:
1. PLASTIC FITTINGS TO BE SEALED WITH SEALANT 084456-01-000.
 2. TUBING TO BE INSTALLED WITH SUFFICIENT SLOPE TO PROVIDE DRAINAGE TO NEAREST VALVE.
 3. ALL TUBING TO BE SECURED AT 1200 INTERVALS MAXIMUM WITH CLAMP 010495-01-000 AND SCREW 000G67-10-12B OR EQUIVALENT.
 4. ADD TEFLON TAPE 010405-01-000.
 5. ADD TEFLON TAPE 010405-02-000.
 6. ADD TEFLON TAPE 010405-03-000.
 7. ADD PIPE WRAP (LADDER SCRAP 110157-02-000) INSULATION. OR USE CARPET PAD (SCRAP) 075233-06-000.
 8. USE WHEN NOT USING 53E OPTION.

FOR
WATER
CALLOUTS
SEE DWG NO
116230-01-000

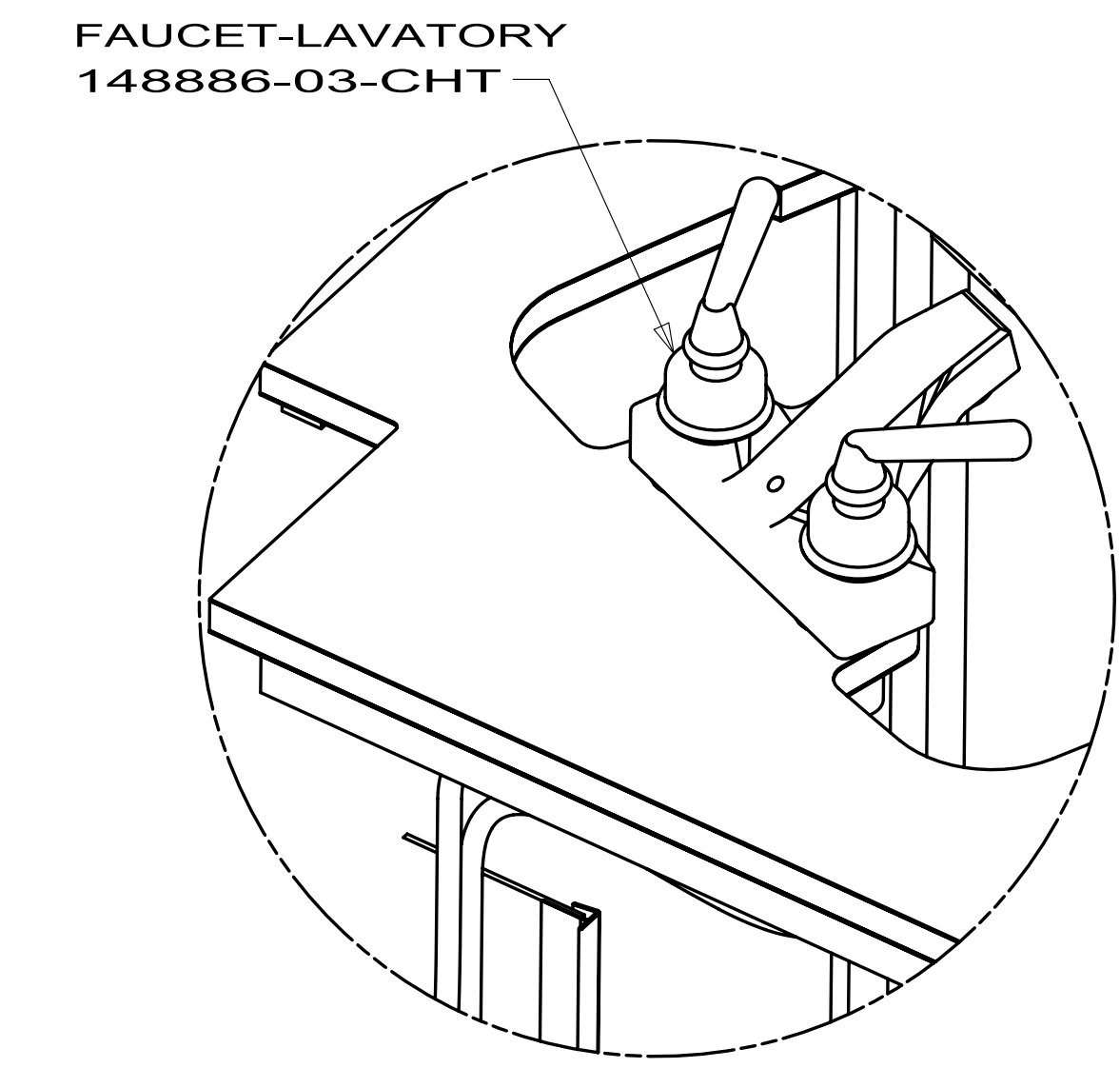
WINNEBAGO INDUSTRIES		COPYRIGHT 2012 WINNEBAGO INDUSTRIES, INC.	
DTR	ORIG. DATE	ALL DIMENSIONS ARE IN MILLIMETERS	
CHR			
P.E.			
M.E.	FIRST USED		
DSNR		12 231R	
UNSPECIFIED TOLERANCES ARE:		MATERIAL:	
WHOLE DIM (X)	: 3		
ONE-PLACE (X.X)	: 1.5		
TWO-PLACE (X.XX)	: 0.50		
ANGLE	: 1°		
THIRD ANGLE PROJECTION			
DO NOT SCALE DRAWING	REFER TO ES0018 FOR FASTENER TIGHTENING GUIDELINES		
TITLE: WATER SYSTEM INSTL			
SHEET 1 OF 4	PART NO	179622	REV
REF:		1	



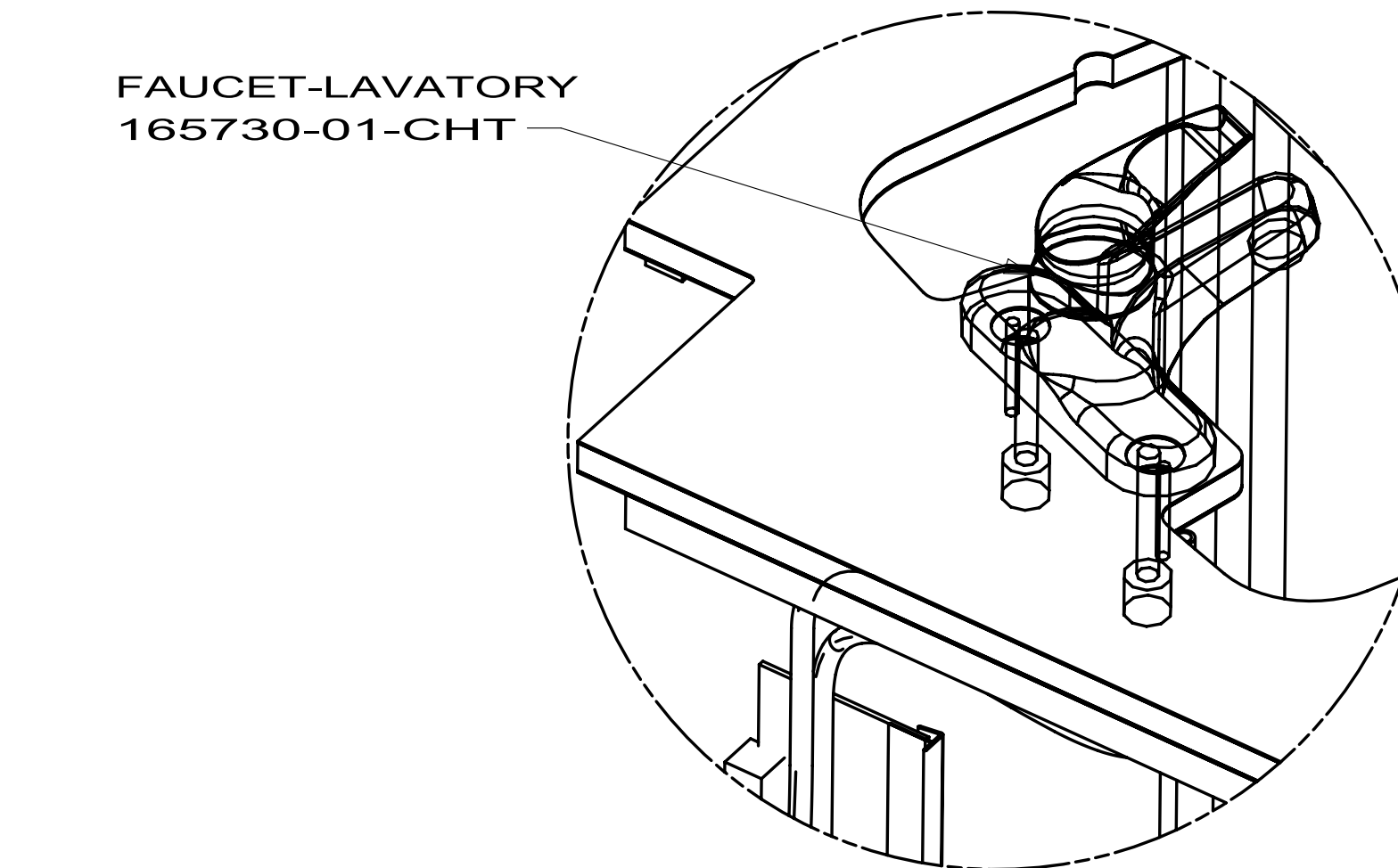
VIEW A



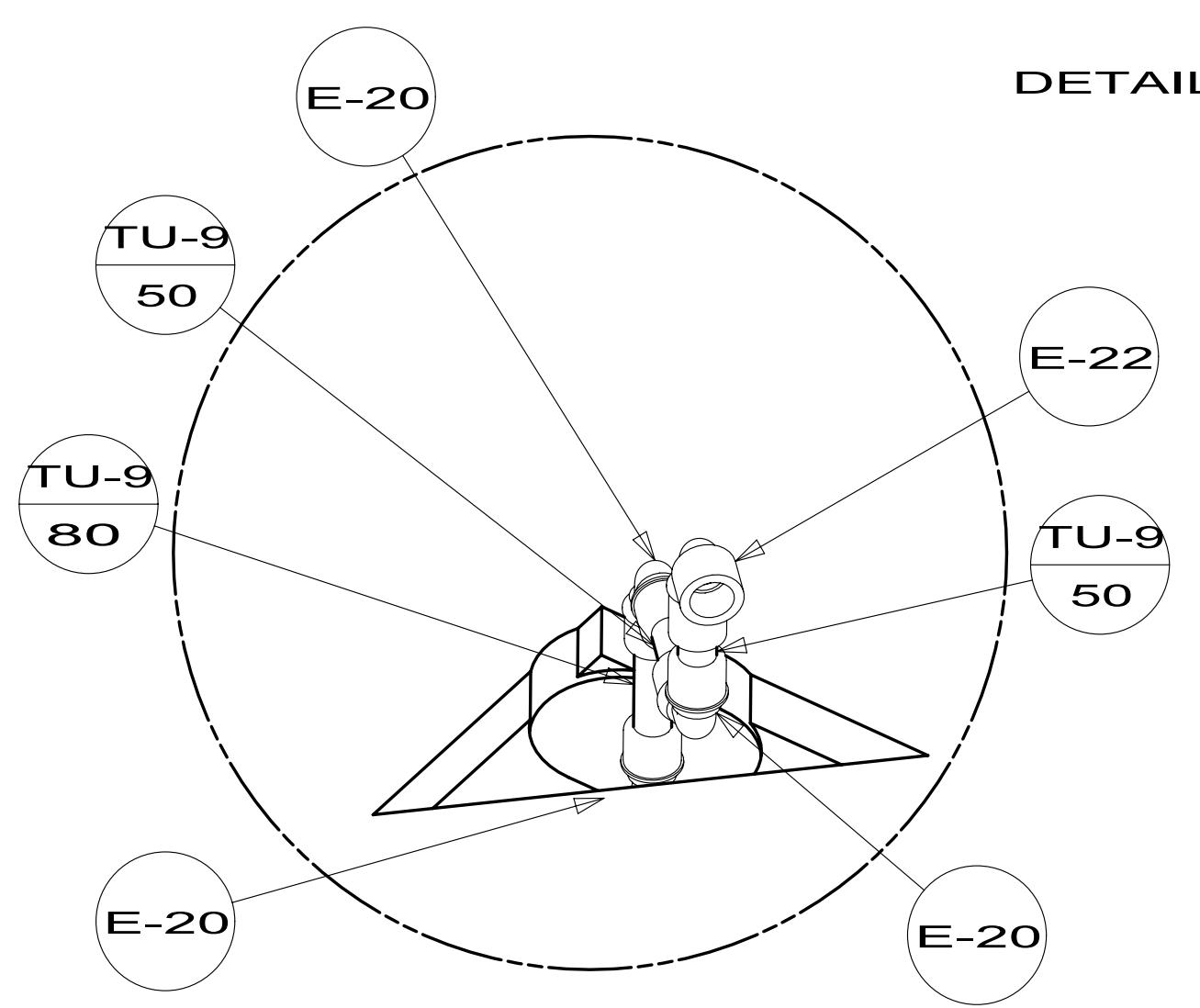
DETAIL B



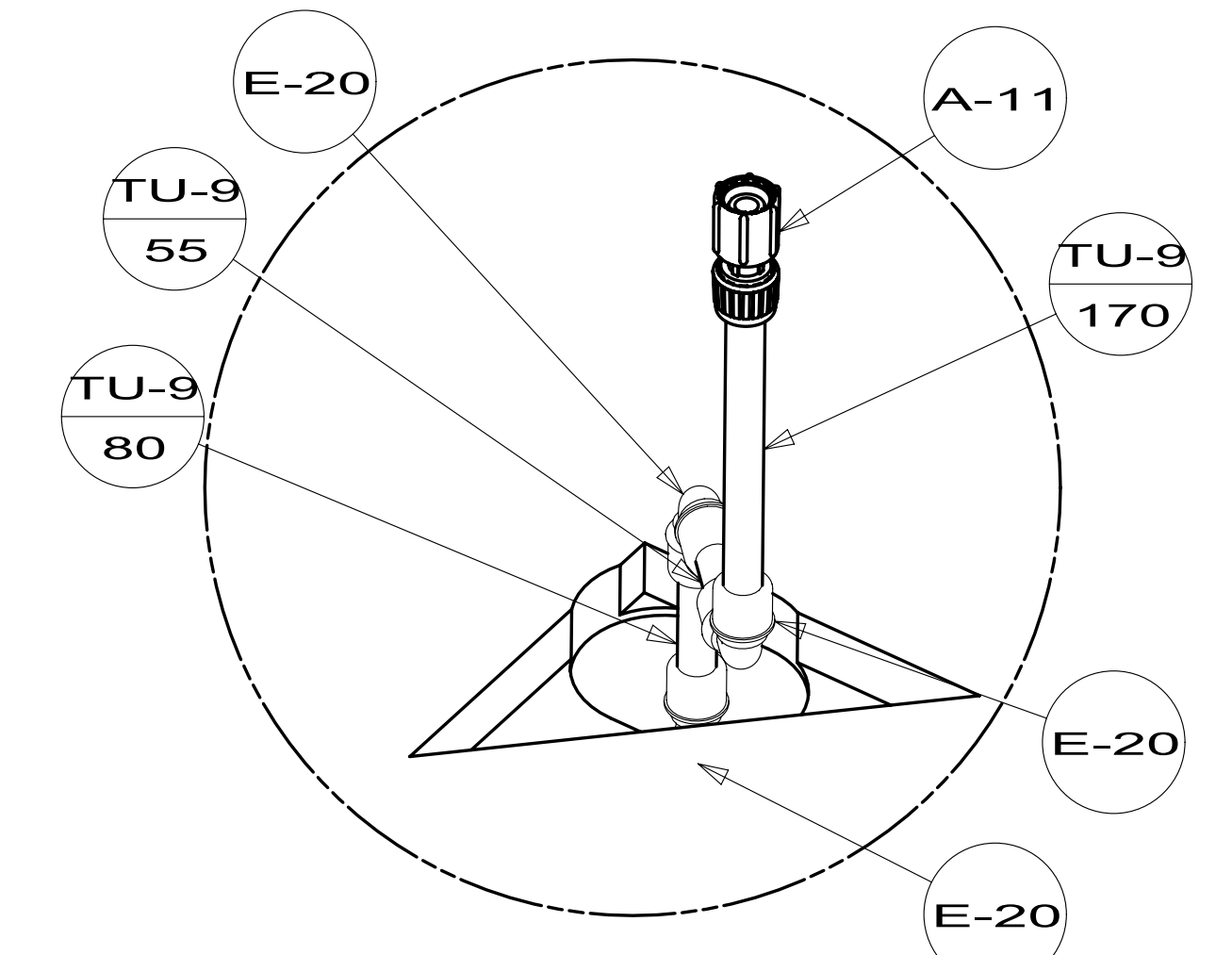
DETAIL D



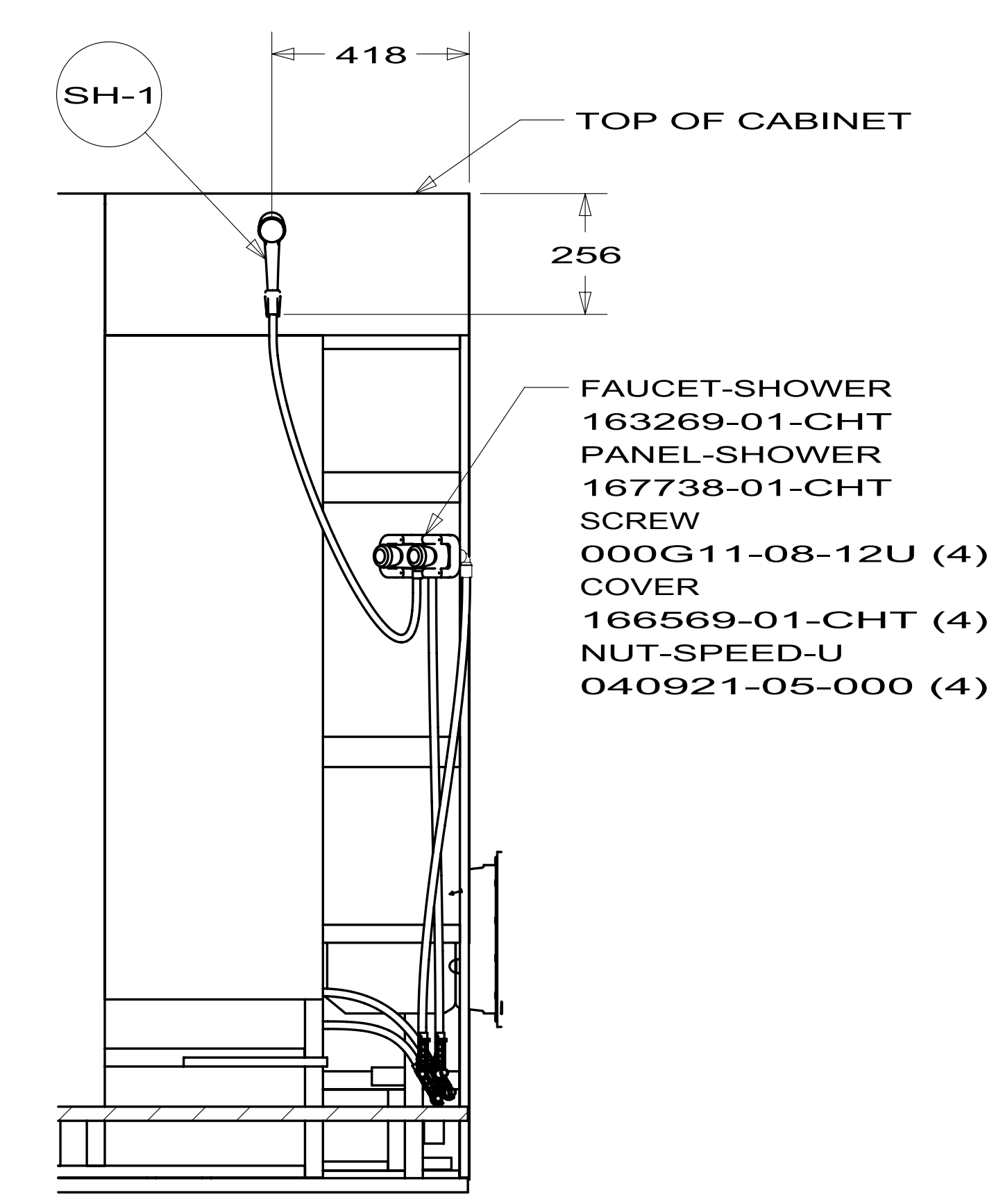
DETAIL E



DETAIL L



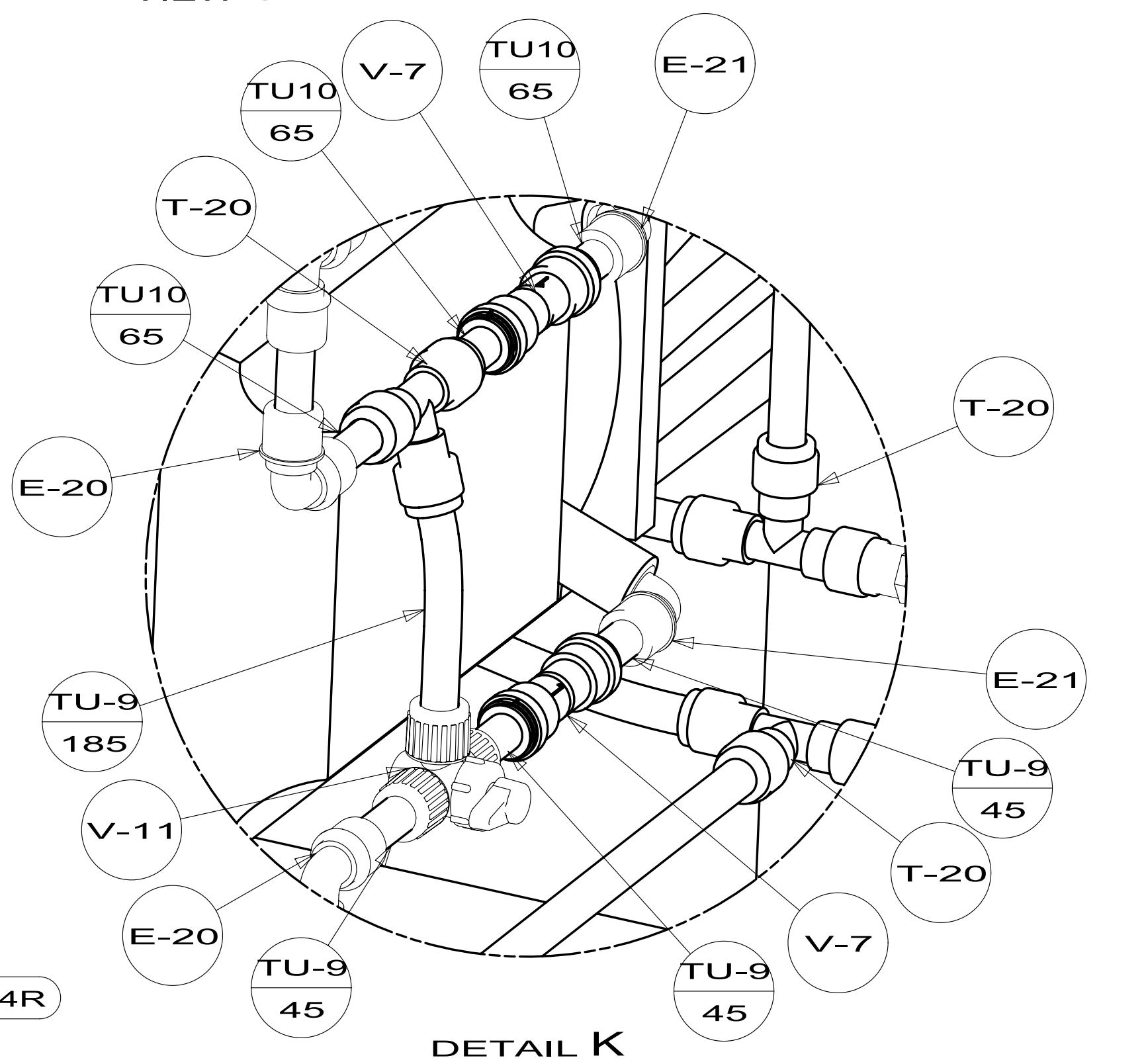
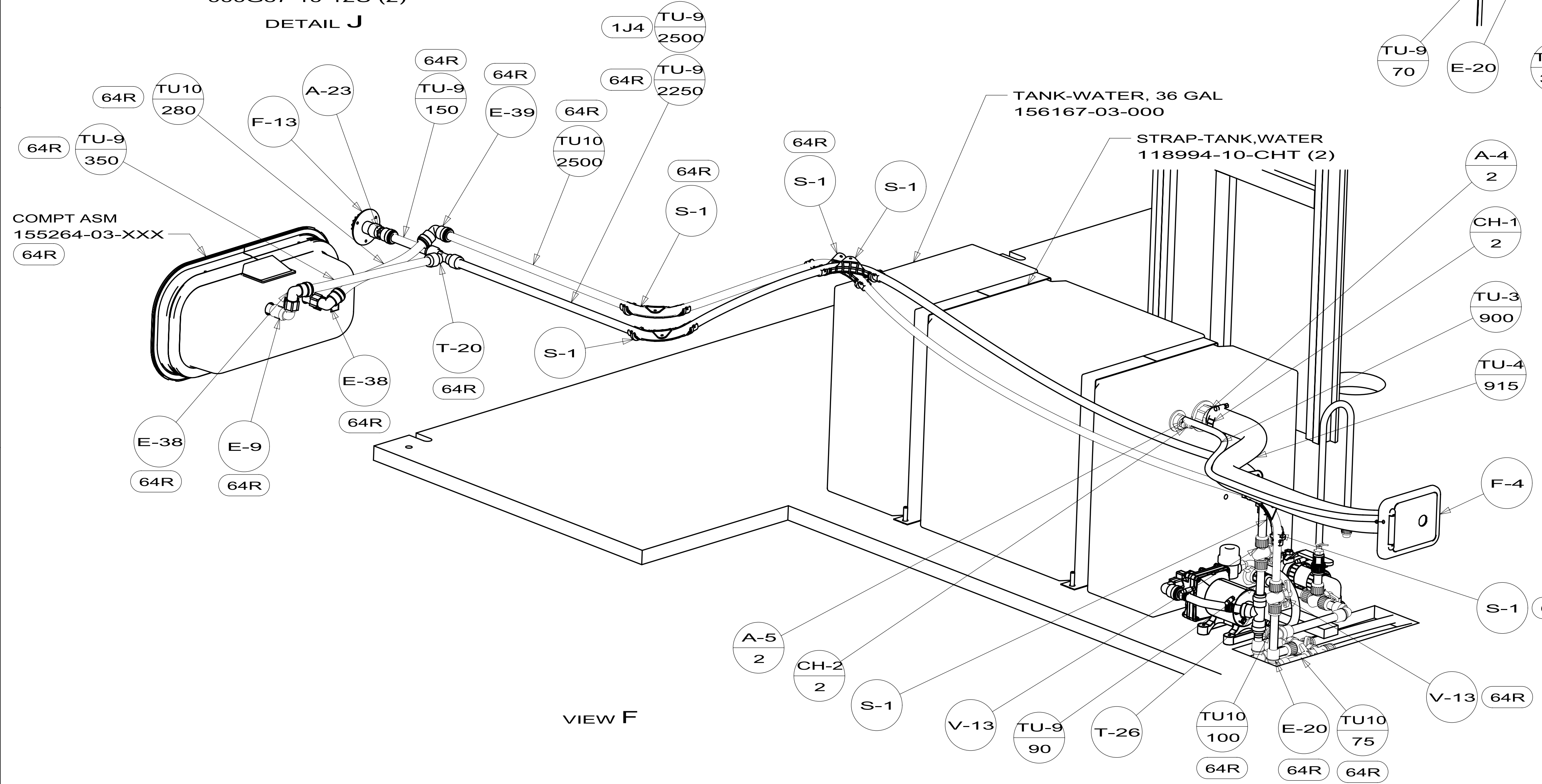
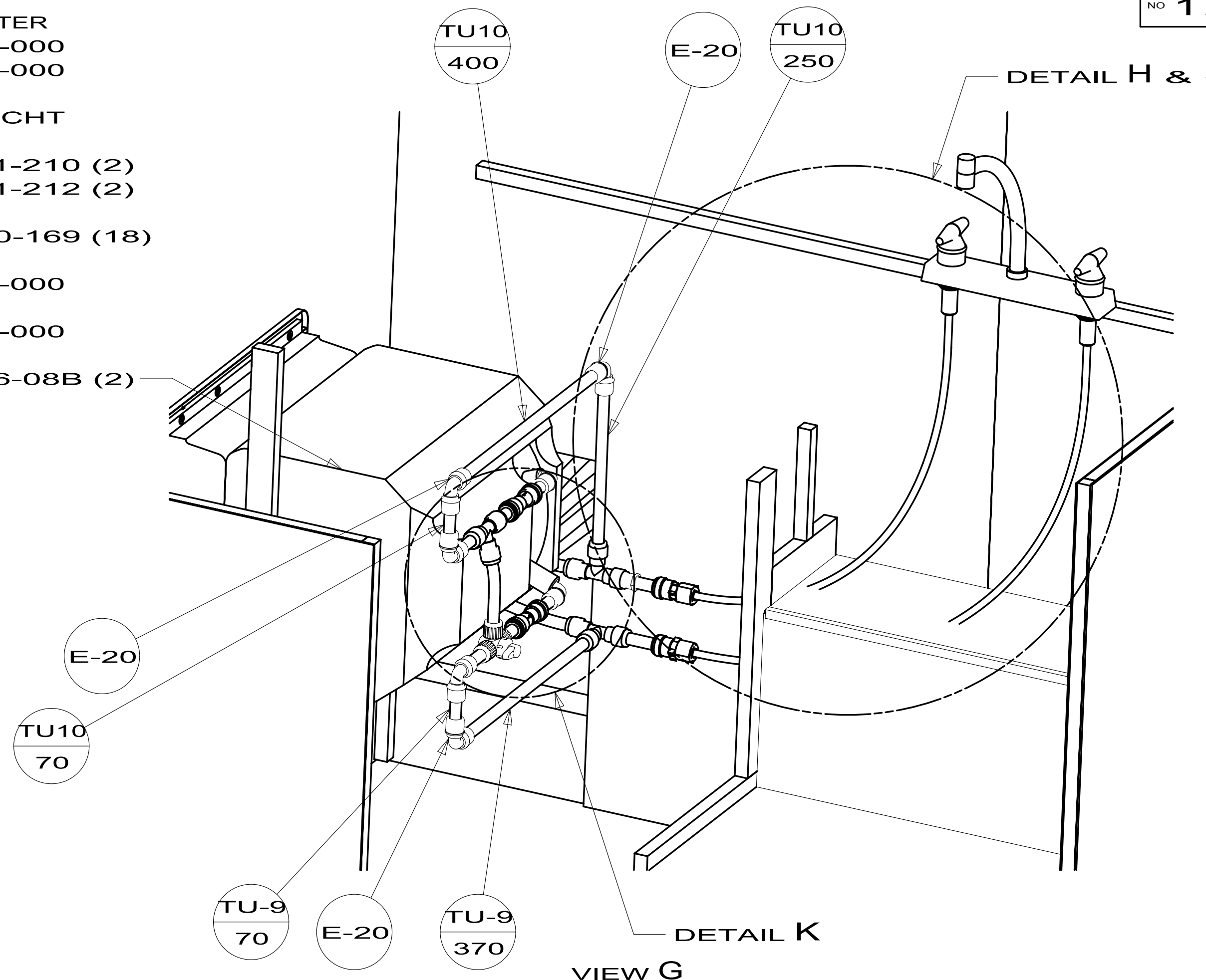
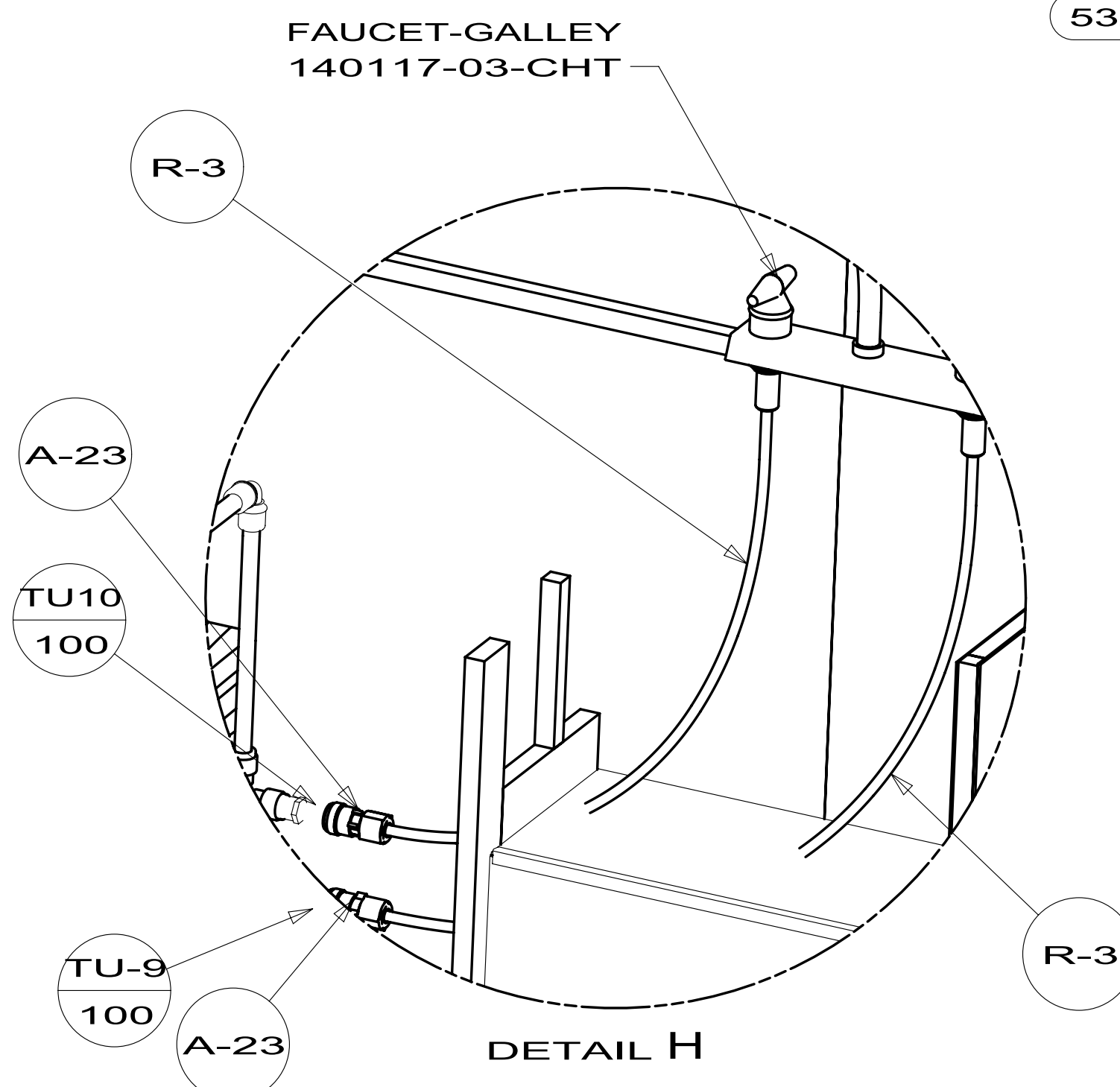
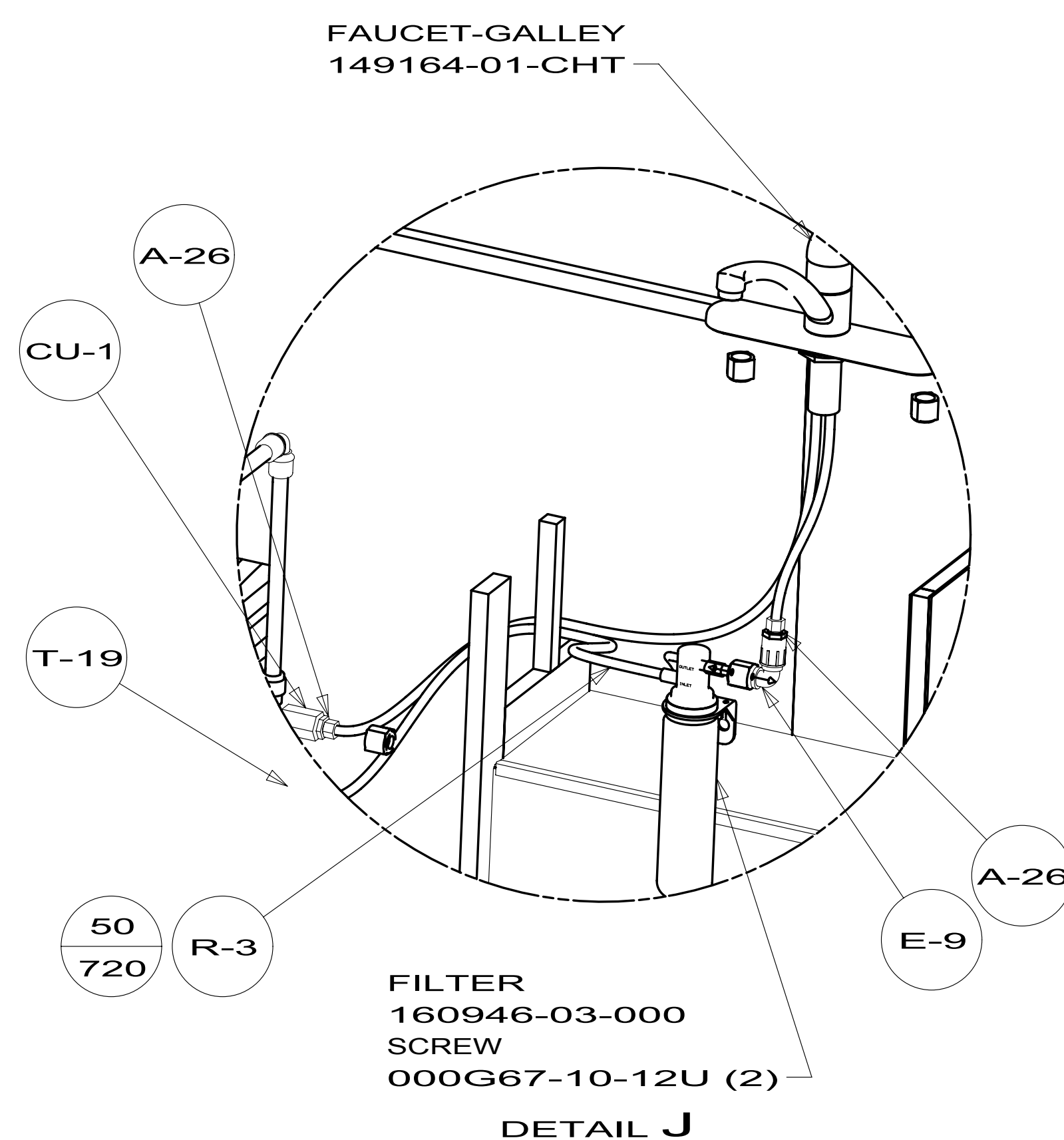
DETAIL M



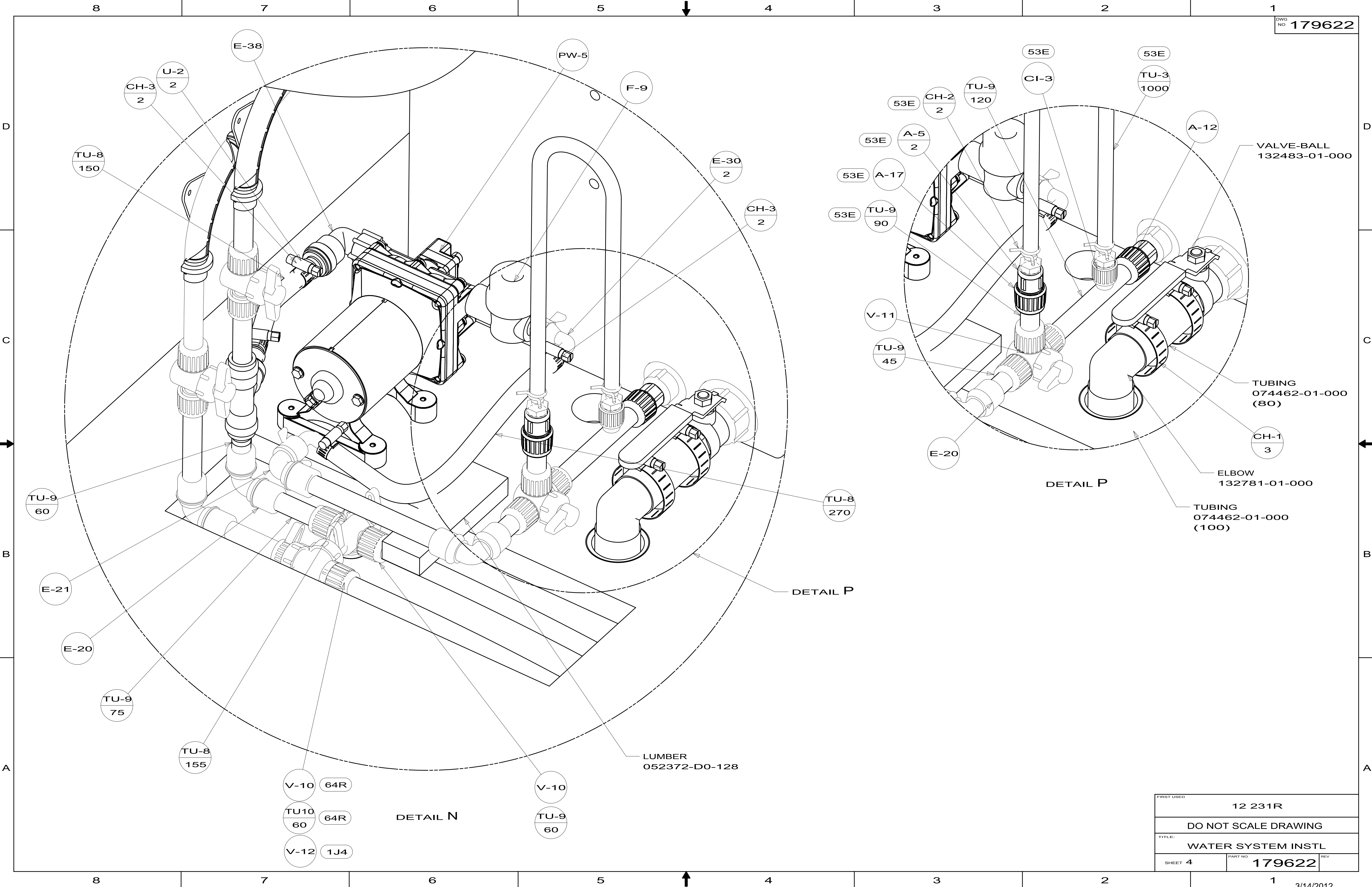
SECTION C-C (ROTATED)

FIRST USED		12 231R	
DO NOT SCALE DRAWING			
TITLE: WATER SYSTEM INSTL			
SHEET 2	PART NO	179622	REV

- 53F 051391-03-000 WATER HEATER
- 53Z 145541-02-000 DOOR
- 125420-06-CHT AL EXTR
- 002726-01-210 (2) SCREW
- 002726-01-212 (2) SCREW
- 000G39-10-169 (18) SEALANT
- 069640-14-000 CABLE
- 076767-03-000 SCREW
- 000G11-06-08B (2)



FIRST USED	12 231R	
DO NOT SCALE DRAWING		
TITLE: WATER SYSTEM INSTL		
SHEET 3	PART NO 179622	REV



FIRST USED	12 231R	
DO NOT SCALE DRAWING		
TITLE: WATER SYSTEM INSTL		
SHEET 4	PART NO 179622	REV