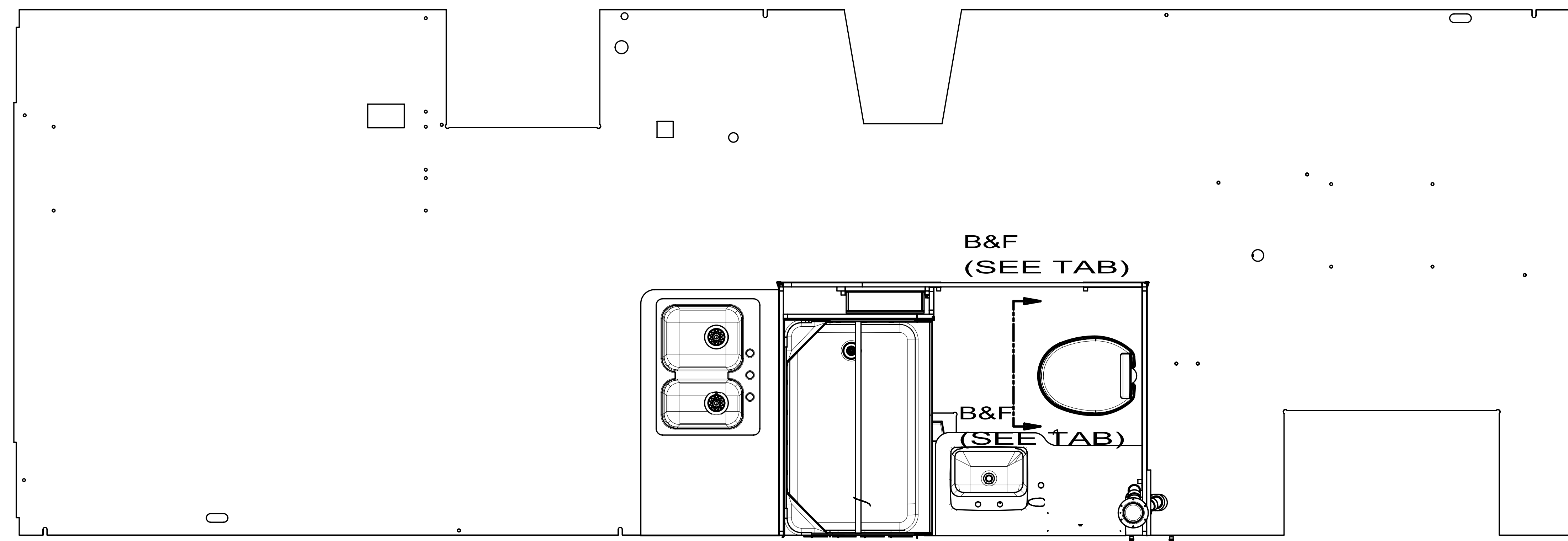


DWG NO	-----	MODEL
178491-01	SECTION B-B	231J
178491-02	SECTION F-F	231JP

RELEASE	REV DATE	DWG NO	178491
REV ZONE	REVISION RECORD	DATE	DTR-ORIG

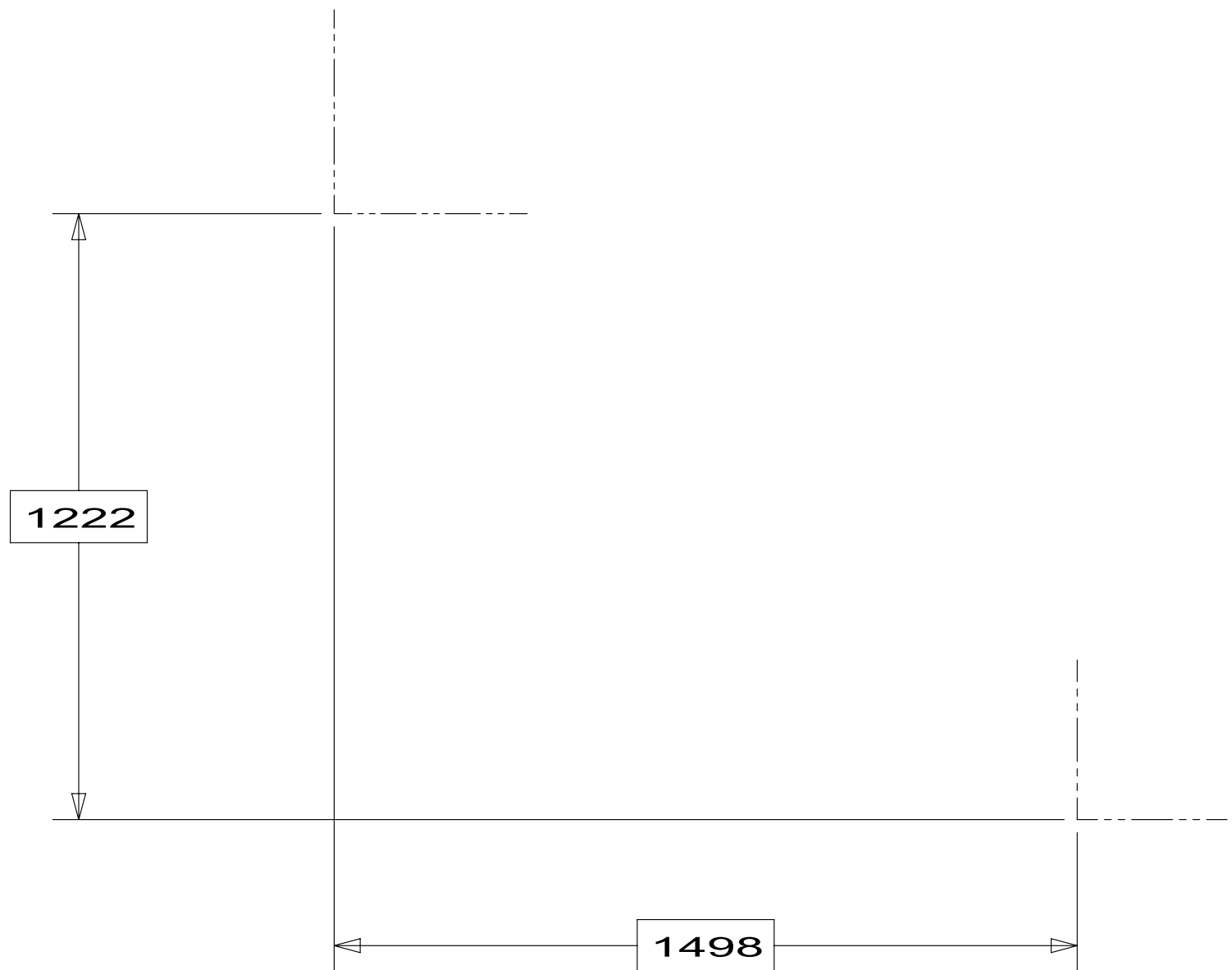


- NOTES:
1. SLOPE OF HORIZONTAL PIPING TO BE MIN 3 PER 305 mm.
 2. SLOPE OF TRAP ARM MUST BE 6 PER 305 mm.
 3. ALL PIPE AND FITTINGS TO BE ASSEMBLED WITH SOLVENT 004020-01-000 (USA), 004020-02-000 (CAN)
 4. SEE WIRING INSTL-BODY, 12V FOR ELECTRICAL CONNECTION.
 5. SEAL AROUND SHOWER WITH SILICONE.
 6. VENT PIPE MUST PROJECT 51 MIN AND 64 MAX ABOVE ROOF FOR PROPER FIT AND FUNCTION.
 7. SECURE VENT TUBES TO FLOOR WITH CLAMP 062401-02-000 (2), SCREW 000G67-10-12B (2), AND BRACKET 136878-01-CHT (2).
 8. SECURE PIPES TO CABINET USING WIRE TIE 108046-02-000 AND SCREW 000G67-10-12B.
 9. WATERLESS P-TRAP MUST BE INSTALLED WITH THE RIBS POINTING DOWN
 10. PREP THE SURFACE PER MANUFACTURING INSTRUCTIONS, BEFORE APPLYING THE HEATING PAD.
 11. USE SMOOTH PLUMBERS PUTTY 167459-01-000 TO SEAL STRAINER (0.2 PER STRAINER).

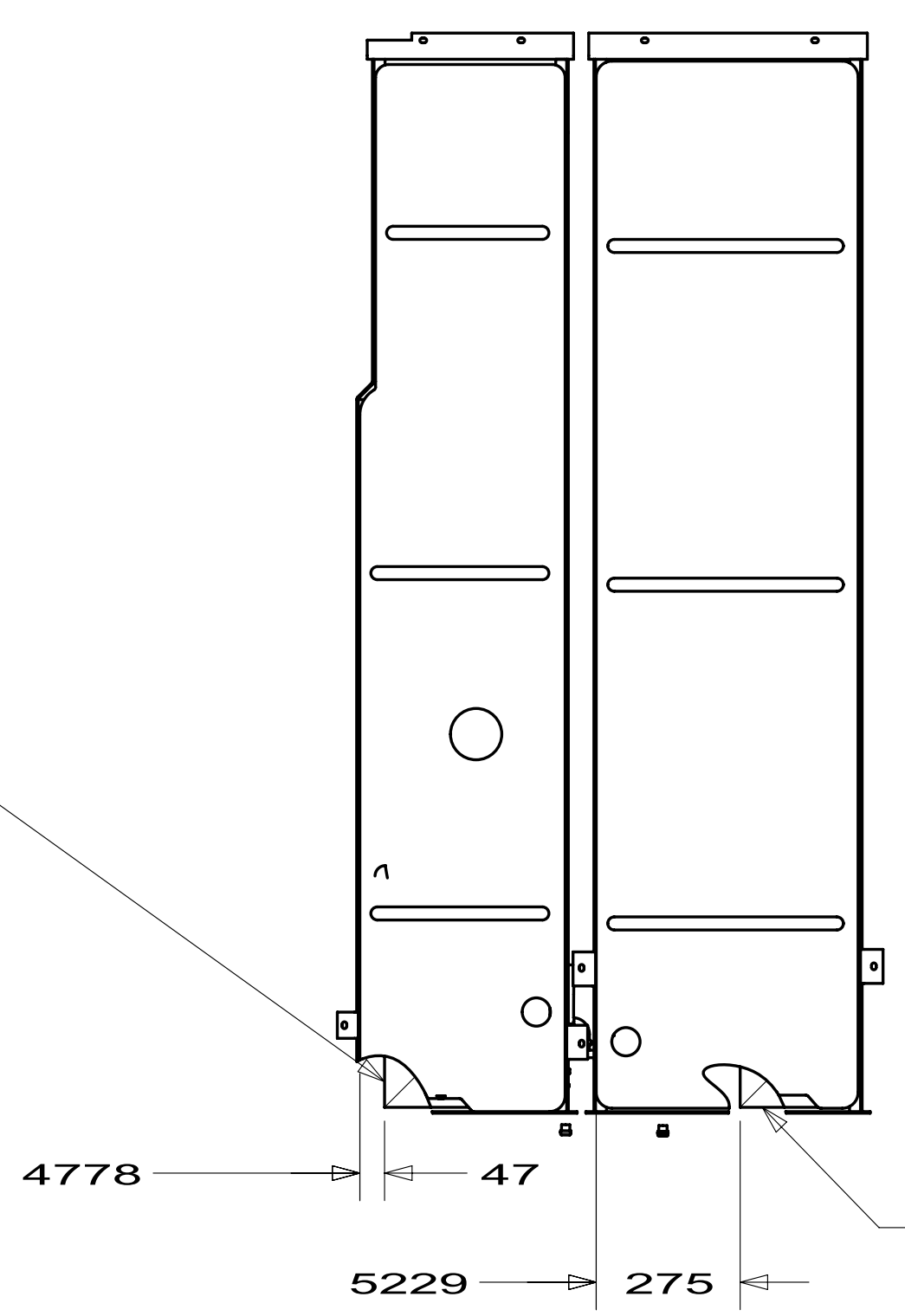
- 43E TOILET PROCELAIN-ROUND
- 464 TOILET
- 1B1 CODES/STANDARDS USA
- 265 CODES/STANDARDS-CSA/CMVSS
- 23T DRAINAGE SYSTEM-HEATED
- 644 GREAT ALASKAN RENTALS

FOR DRAINAGE CALLOUTS SEE DWG NO 116229-01-000

WINNEBAGO INDUSTRIES		COPYRIGHT 2011 WINNEBAGO INDUSTRIES, INC.	
DTR	ORIG. DATE	ALL DIMENSIONS ARE IN MILLIMETERS	
CHKR			
P.E.			
M.E.	FIRST USED		
DSNR		12 231J	
UNSPECIFIED TOLERANCES ARE:		MATERIAL:	
WHOLE DIM (X)	: 3		
ONE-PLACE (X.X)	: 1.5		
TWO-PLACE (X.XX)	: 0.50		
ANGLE	: 1°		
THIRD ANGLE PROJECTION			
DO NOT SCALE DRAWING		REFER TO ES0018 FOR FASTENER TIGHTENING GUIDELINES	
TITLE: DRAINAGE SYSTEM INSTL			
SHEET 1 OF 3	PART NO	178491	REV
REF:	1		



10
23T 4
PAD-HEATER
133972-04-000
INSTALL PER
MANUFACTURERS LABEL



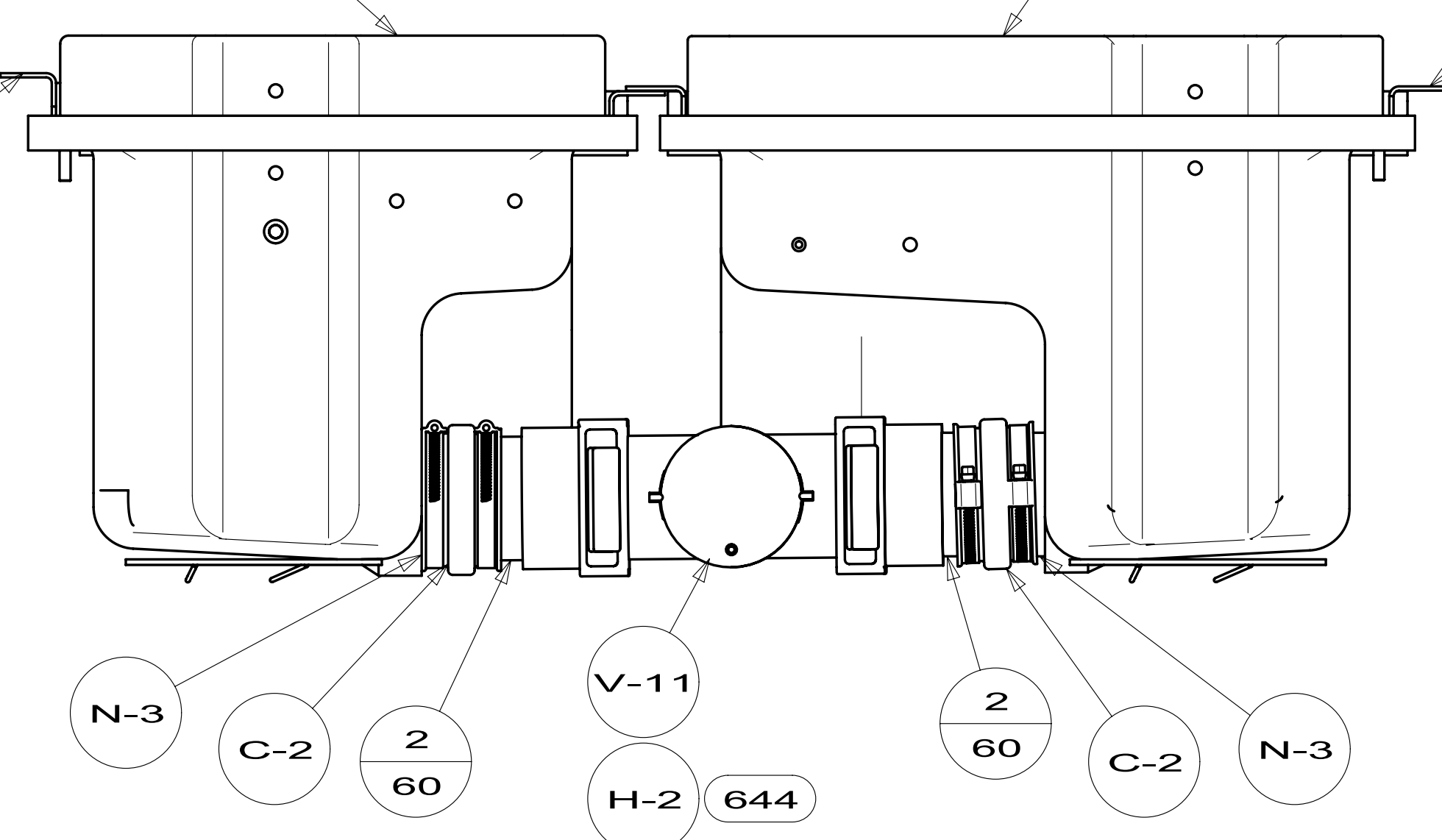
10
23T 4
PAD-HEATER
133972-04-000
INSTALL PER
MANUFACTURERS LABEL

TANK-HOLDING
139645-08-CHT

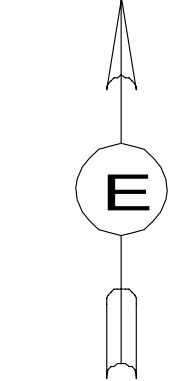
TANK-HOLDING
139646-11-CHT

CRADLE ASM
139596-05-CHT
WASHER
000E13-16-00B(4)
NUT
000D39-05-00B(4)

CRADLE ASM
139597-03-CHT
WASHER
000E13-16-00B(4)
NUT
000D39-05-00B(4)



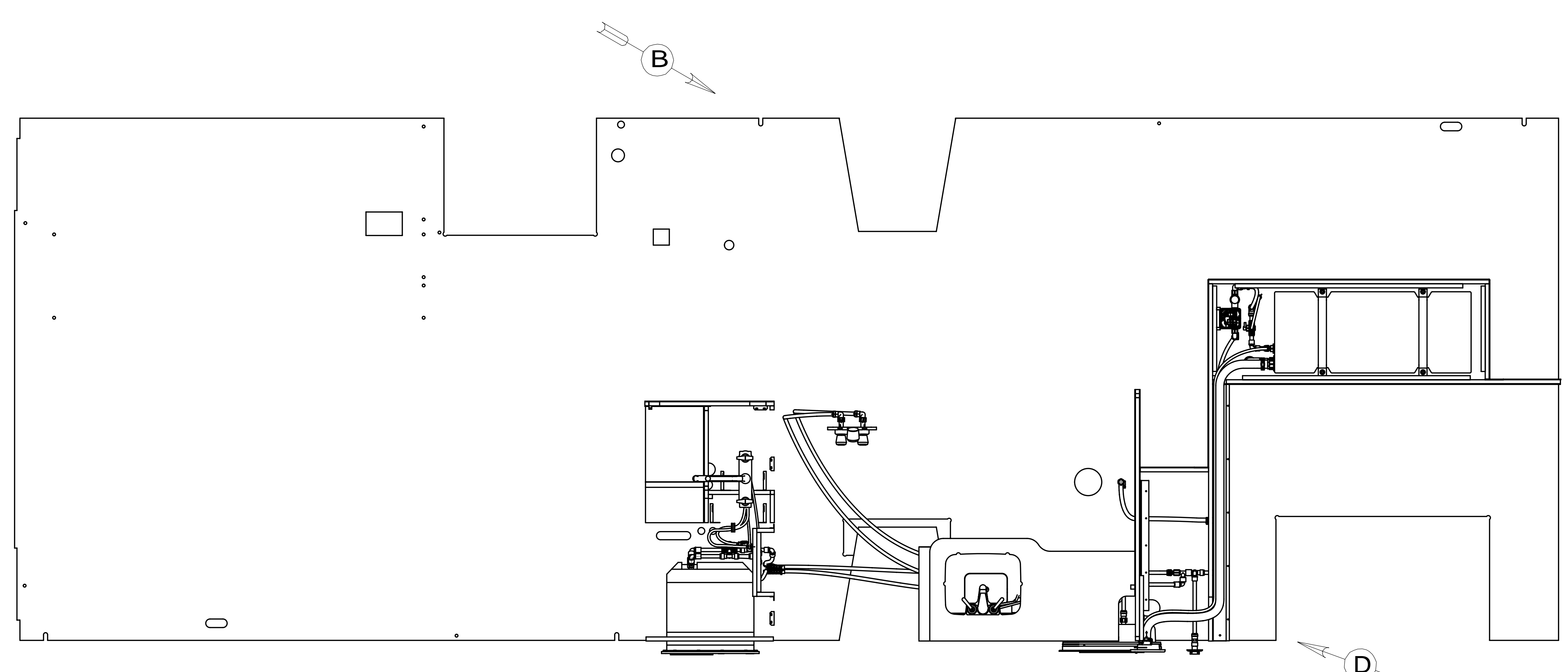
VIEW E



FIRST USED	12 231J		
TITLE:	DO NOT SCALE DRAWING		
TITLE:	DRAINAGE SYSTEM INSTL		
SHEET 3	PART NO	178491	REV

DWG NO	VIEW	MODEL
178495-01	E, K	231J
178495-02	J, L	231JP

RELEASE	REV DATE	DWG NO	178495
REV ZONE	REVISION RECORD	DATE	DTR-ORIG



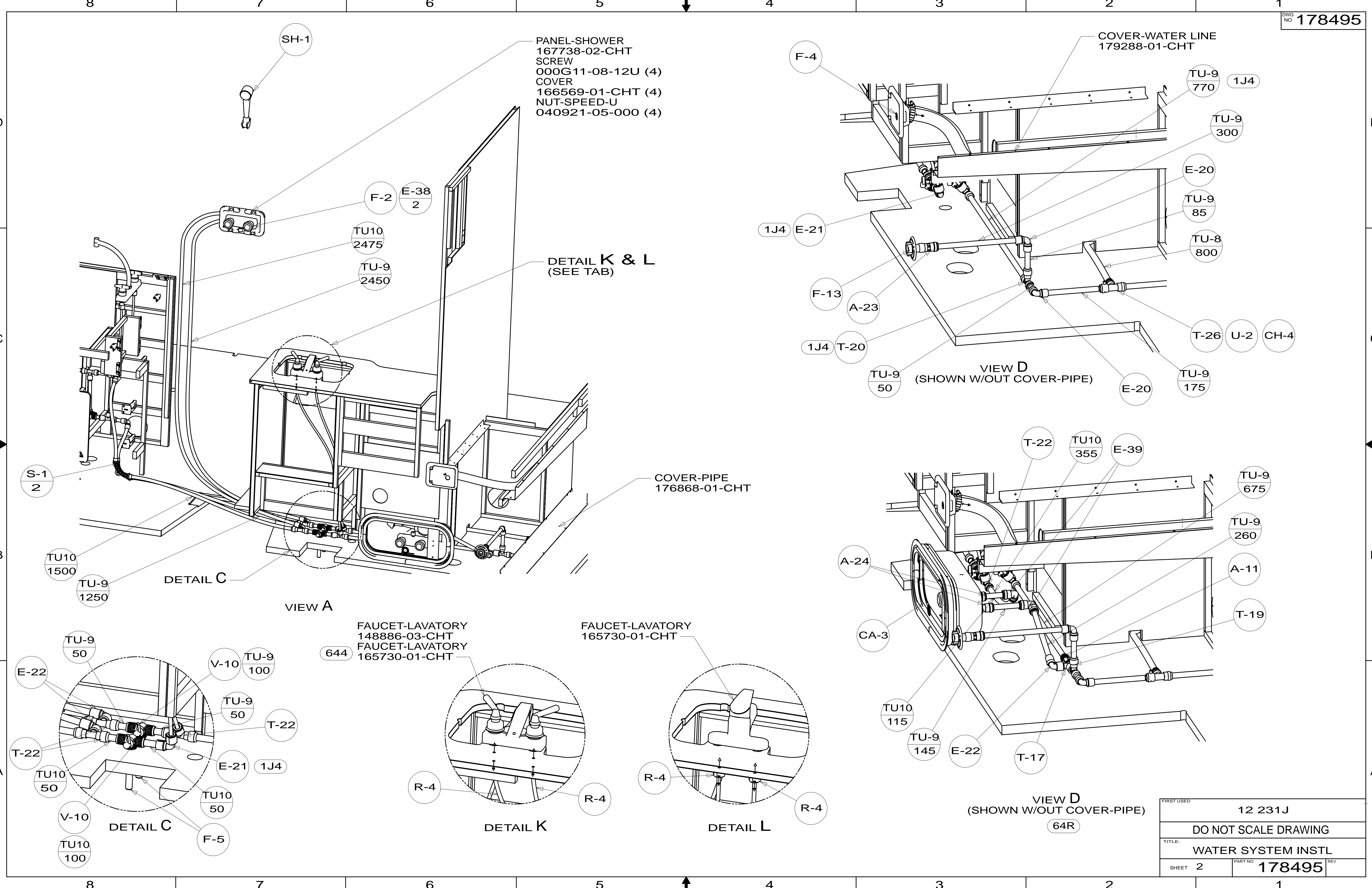
- (644) GREAT ALASKAN RENTAL PACKAGE
- (464) TOILET
- (53Z) WTR HTR-6GAL/110/LP/MTR/AUTO
- (1J4) EXT WASH STATION - WITHOUT
- (64R) EXTERIOR WASH STATION
- (53F) WATER HEATER-ELEC. IGNITION
- (53E) WATER SYS WINTERIZATION PKG

- 7 LABEL THE HOT AND COLD SUPPLY RISER TUBE AND TAPE FITTING TO TUBES BEFORE CABINET SET TO PREVENT MOVEMENT.
- 6 ADD TEFLON TAPE 010405-03-000.
- 5 ADD TEFLON TAPE 010405-02-000.
- 4 ADD TEFLON TAPE 010405-01-000.
3. ALL TUBING TO BE SECURED AT 1200 INTERVALS MAXIMUM WITH CLAMP 010495-01-000 AND SCREW 000G67-10-12B OR EQUIVALENT.
2. TUBING TO BE INSTALLED WITH SUFFICIENT SLOPE TO PROVIDE DRAINAGE TO NEAREST VALVE.
1. PLASTIC FITTINGS TO BE SEALED WITH SEALANT 084456-01-000.

NOTES:

WINNEBAGO		COPYRIGHT 2012 WINNEBAGO INDUSTRIES, INC.	
DTR	ORIG. DATE	ALL DIMENSIONS ARE IN MILLIMETERS	
CHKR			
P.E.			
M.E.	FIRST USED		
DSNR		12 231J	
UNSPECIFIED TOLERANCES ARE:		MATERIAL:	
WHOLE DIM (X)	: 3		
ONE-PLACE (X.X)	: 1.5		
TWO-PLACE (X.XX)	: 0.50		
ANGLE	: 1°		
THIRD ANGLE PROJECTION			
DO NOT SCALE DRAWING		REFER TO ES0018 FOR FASTENER TIGHTENING GUIDELINES	
TITLE: WATER SYSTEM INSTL			
SHEET 1 OF 3	PART NO	178495	REV
REF:	1		

(X-X)
FOR WATER CALLOUTS SEE DWG NO 116230-01-000



PANEL-SHOWER
167738-02-CHT
SCREW
000G11-08-12U (4)
COVER
166569-01-CHT (4)
NUT-SPEED-U
040921-05-000 (4)

COVER-WATER LINE
179288-01-CHT

DETAIL K & L
(SEE TAB)

VIEW D
(SHOWN W/OUT COVER-PIPE)

COVER-PIPE
176868-01-CHT

VIEW D
(SHOWN W/OUT COVER-PIPE)
64R

FAUCET-LAVATORY
148886-03-CHT
FAUCET-LAVATORY
165730-01-CHT
644

FAUCET-LAVATORY
165730-01-CHT

FIRST USED	12 231J
DO NOT SCALE DRAWING	
TITLE:	WATER SYSTEM INSTL
SHEET 2	PART NO 178495 REV

TANK ASM
156167-08-000
STRAP
118994-10-CHT(2)
WASHER
000E13-16-00U(4)
NUT
000D39-05-00U(4)
ELEVATOR BOLT
000C18-05-40U(4)

FAUCET-GALLEY
149164-01-CHT

CLAMP
010497-02-000
SCREW
000G67-10-12U

DETAIL E & J
(SEE TAB)

WATER HEATER
051391-03-000 53F
145541-02-000 53Z
DOOR
125420-06-CHT
AL EXTR
002726-01-210(2)
002726-01-212(2)
SCREW
000G39-10-169(18)
SEALANT
069640-14-000
CABLE
076767-03-000

FILTER
160946-03-000
SCREW
000G67-10-12U (2)

FAUCET-GALLEY
140117-03-CHT

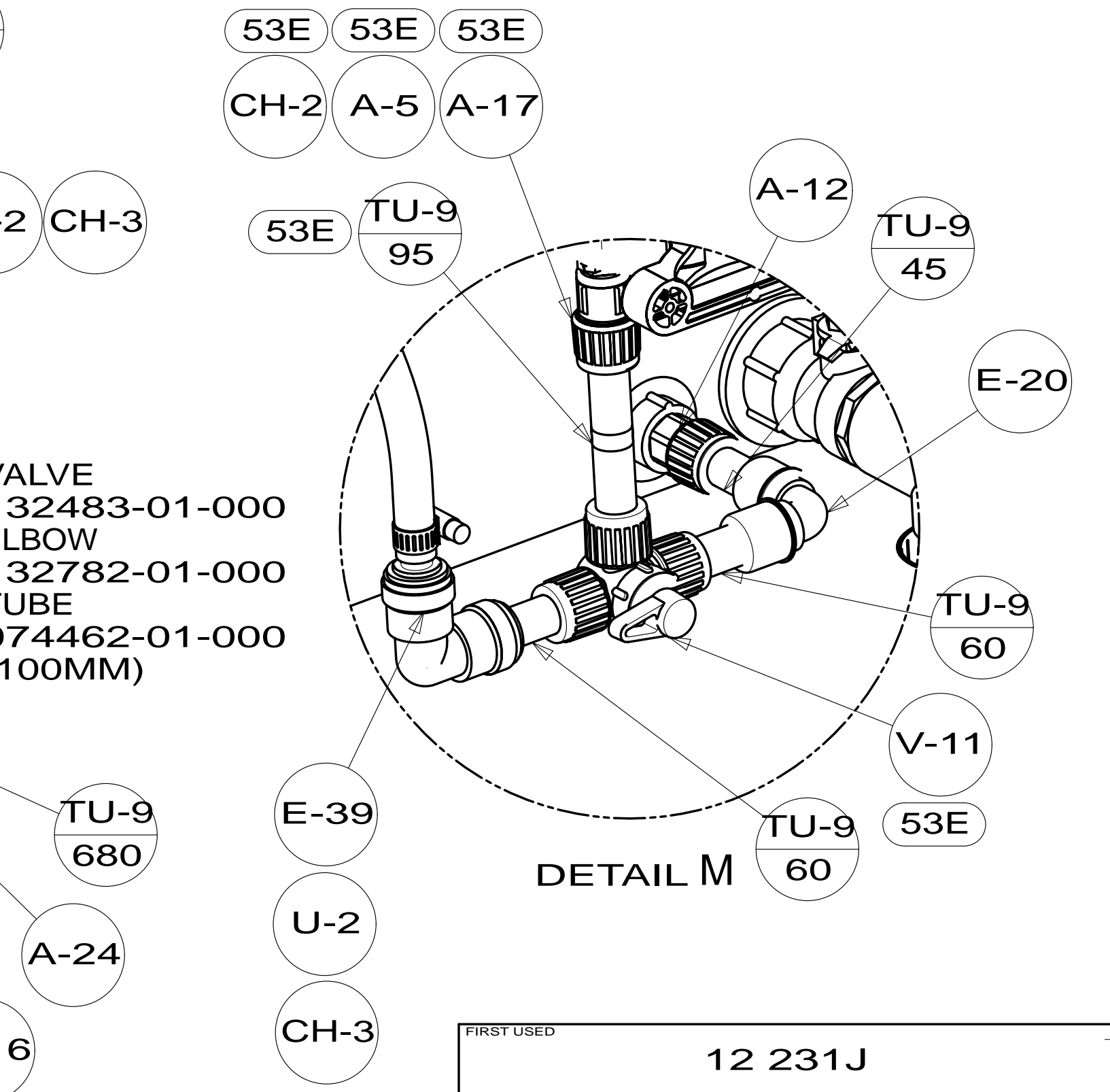
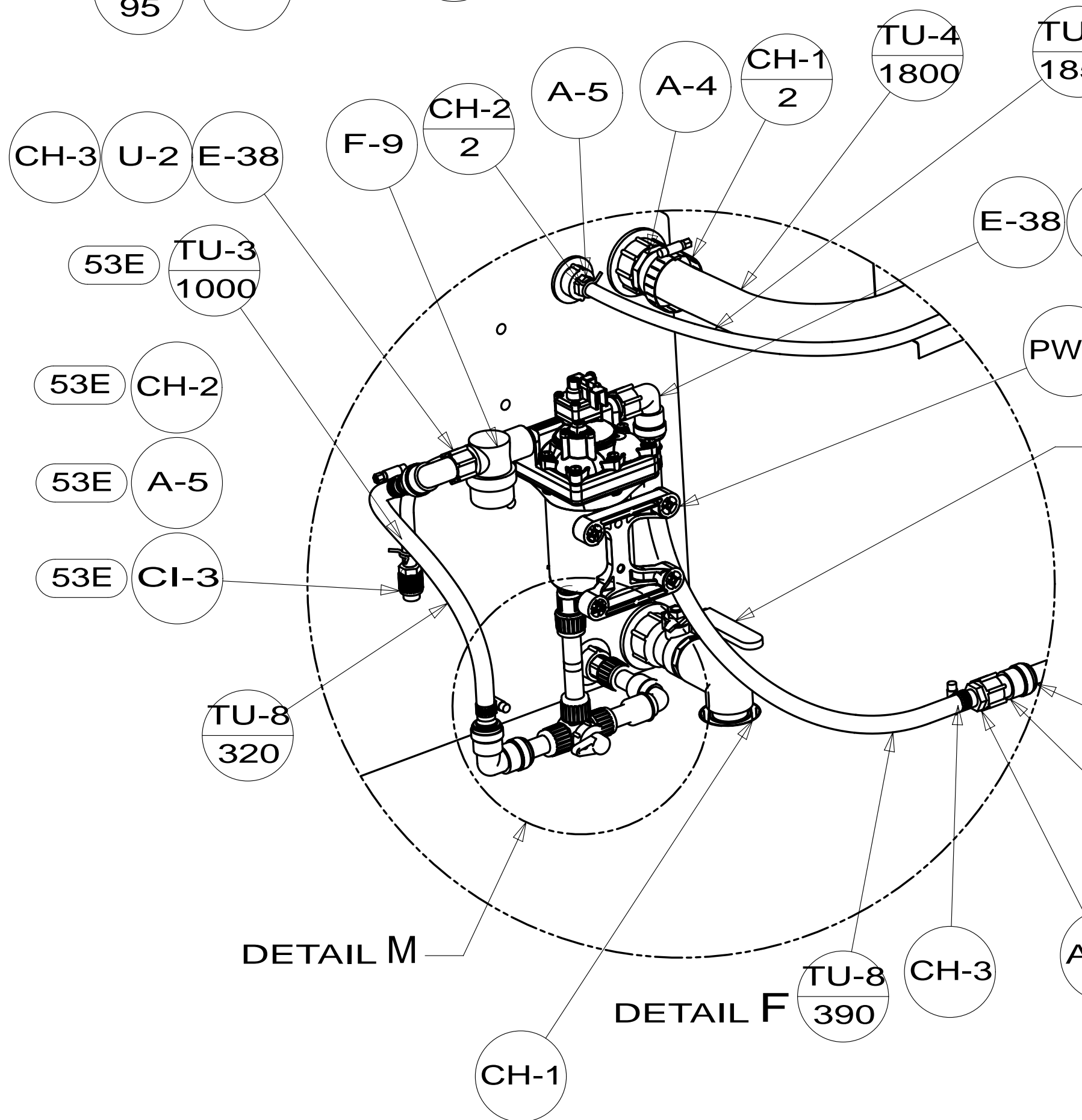
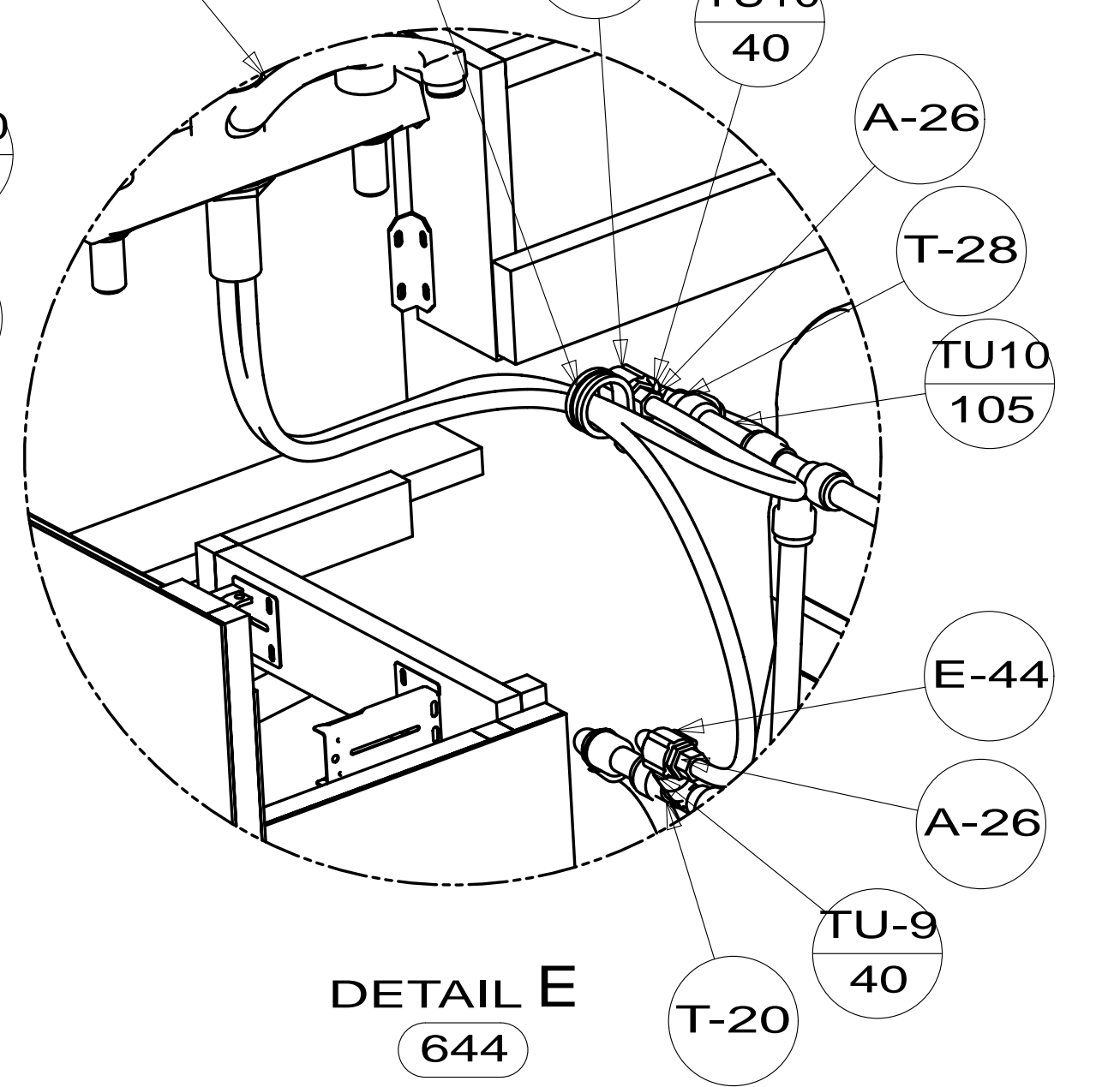
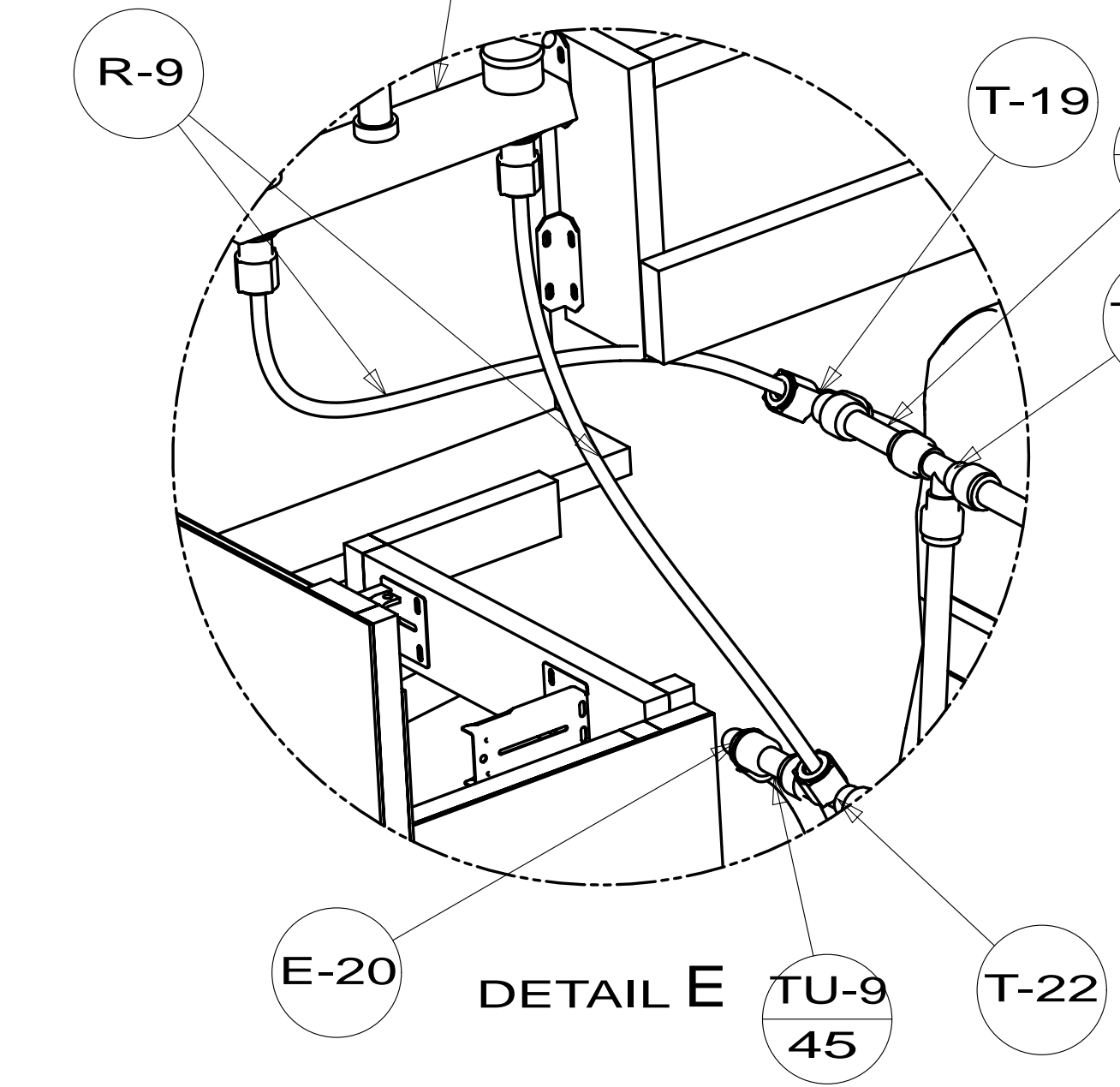
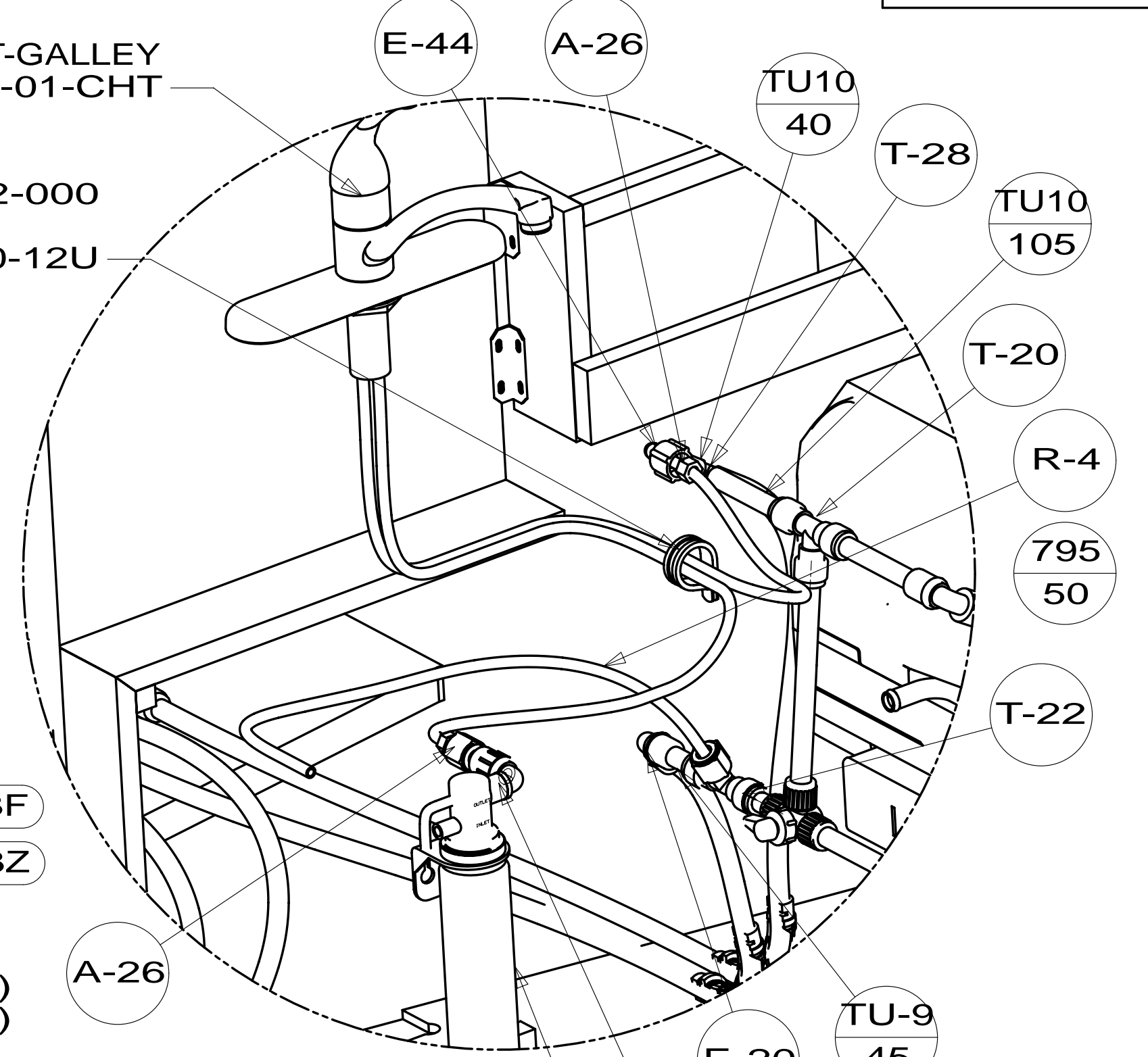
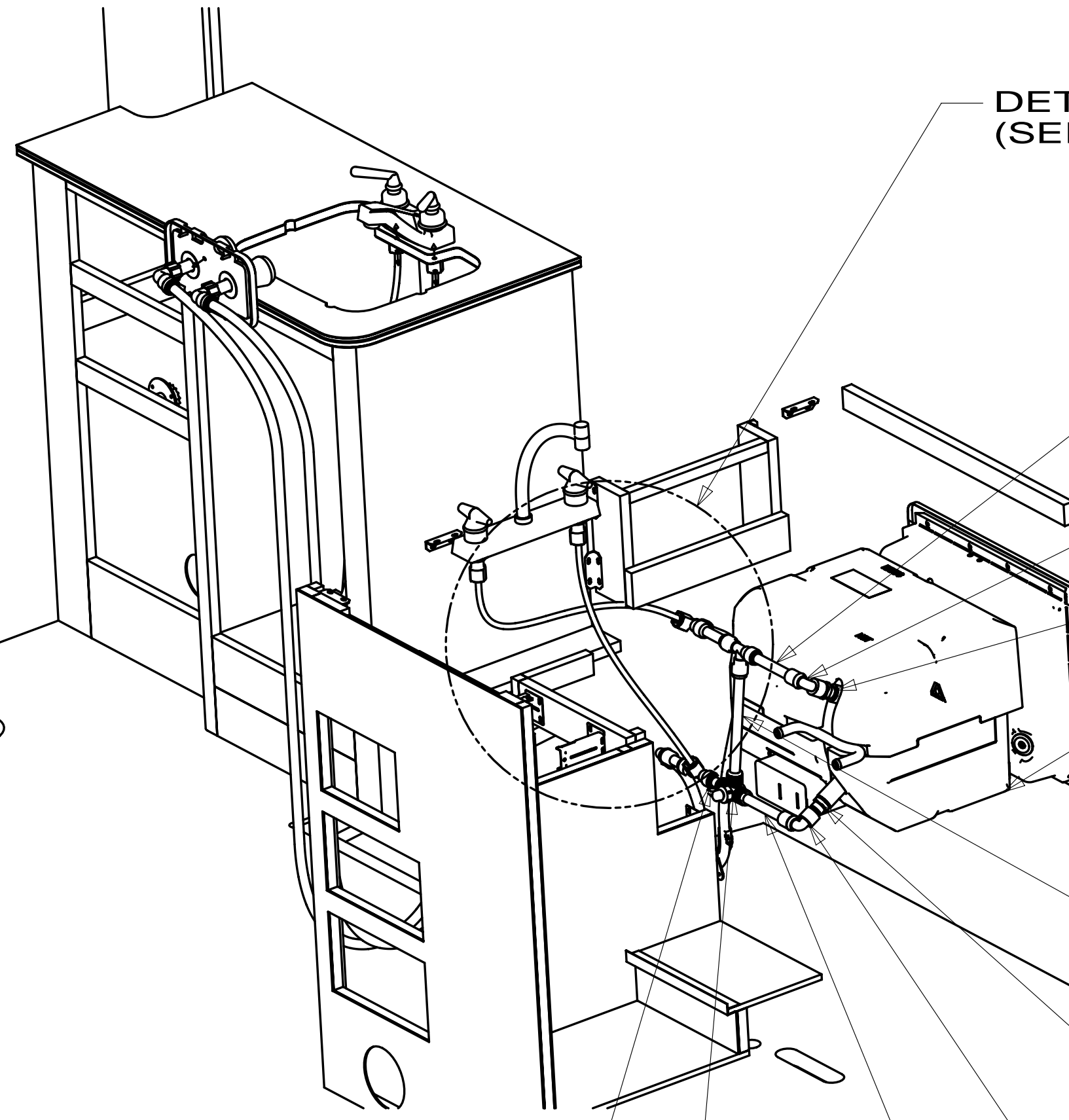
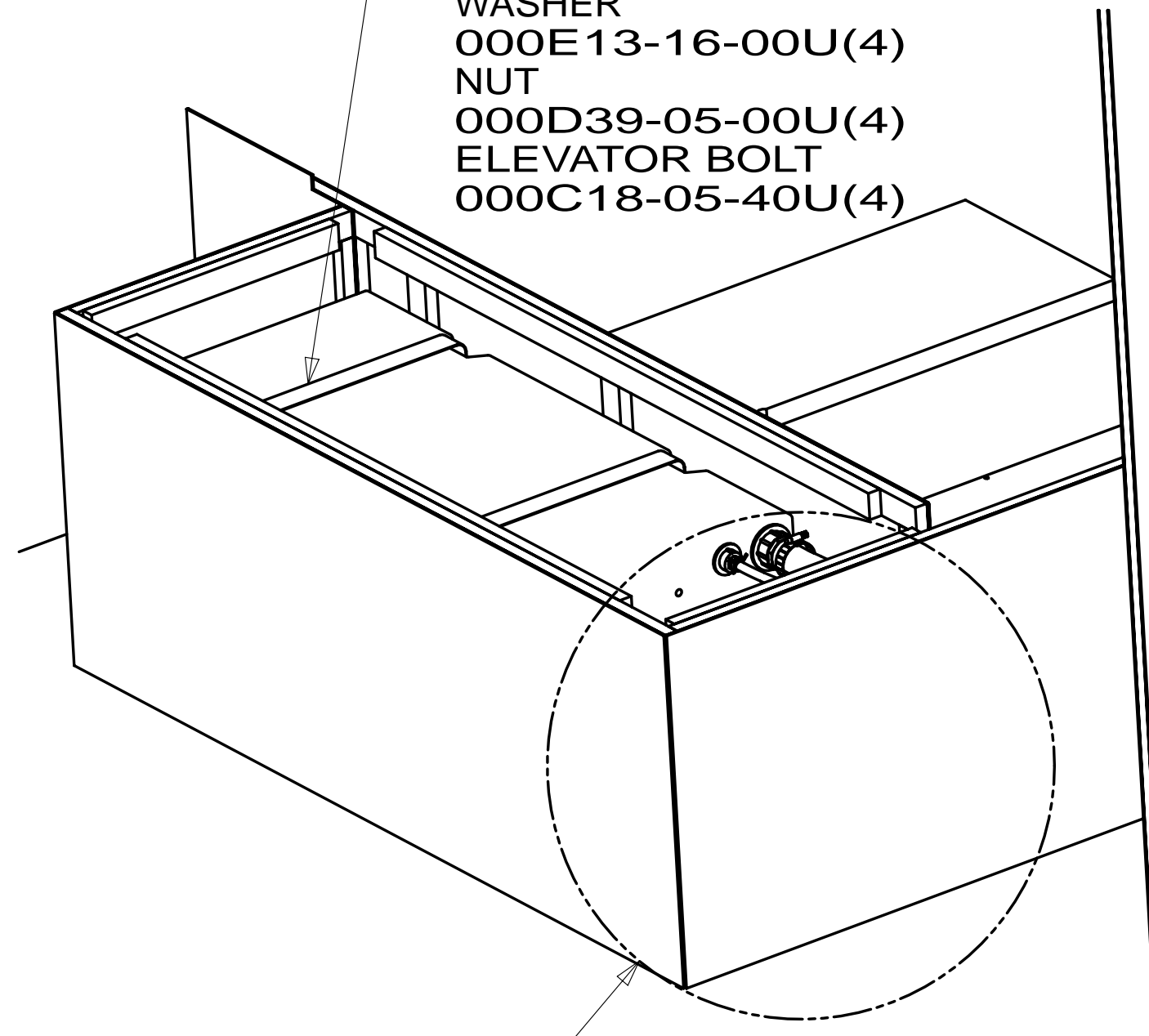
FAUCET-GALLEY
149164-01-CHT

VALVE
132483-01-000
ELBOW
132782-01-000
TUBE
074462-01-000
(100MM)

DETAIL M

DO NOT SCALE DRAWING
TITLE: WATER SYSTEM INSTL

FIRST USED	12 231J
DO NOT SCALE DRAWING	
TITLE: WATER SYSTEM INSTL	
SHEET 3	PART NO 178495 REV



A-24 U-2 CH-4

TU-9 95 V-11

TU-9 130 E-22

V-6 6

53E 53E 53E
CH-2 A-5 A-17

53E TU-9 95

E-39 U-2 CH-3

VIEW B

DETAIL J

DETAIL M

DETAIL F

DETAIL M

DETAIL E
644

DETAIL E
TU-9 45 T-22

DETAIL E
644

DETAIL E
TU-9 45 T-22