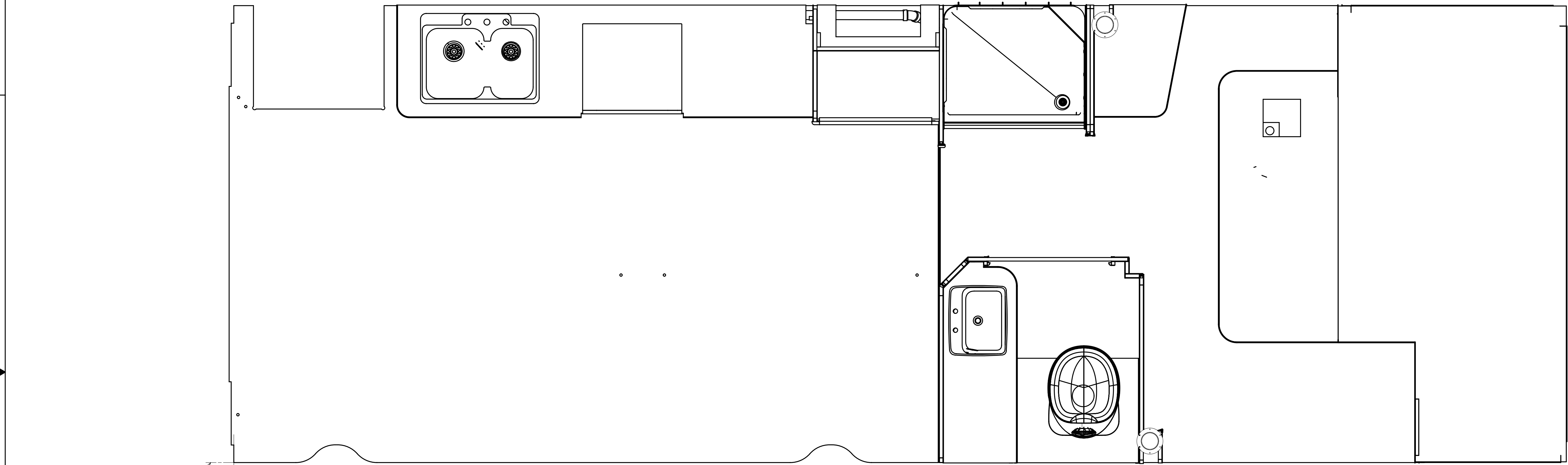


DWG NO	DETAIL	---
174177-01	G	231C
174177-02	H	231CP

RELEASE	REV DATE	DWG NO	174177
REV ZONE	REVISION RECORD	DATE	DTR-ORIG



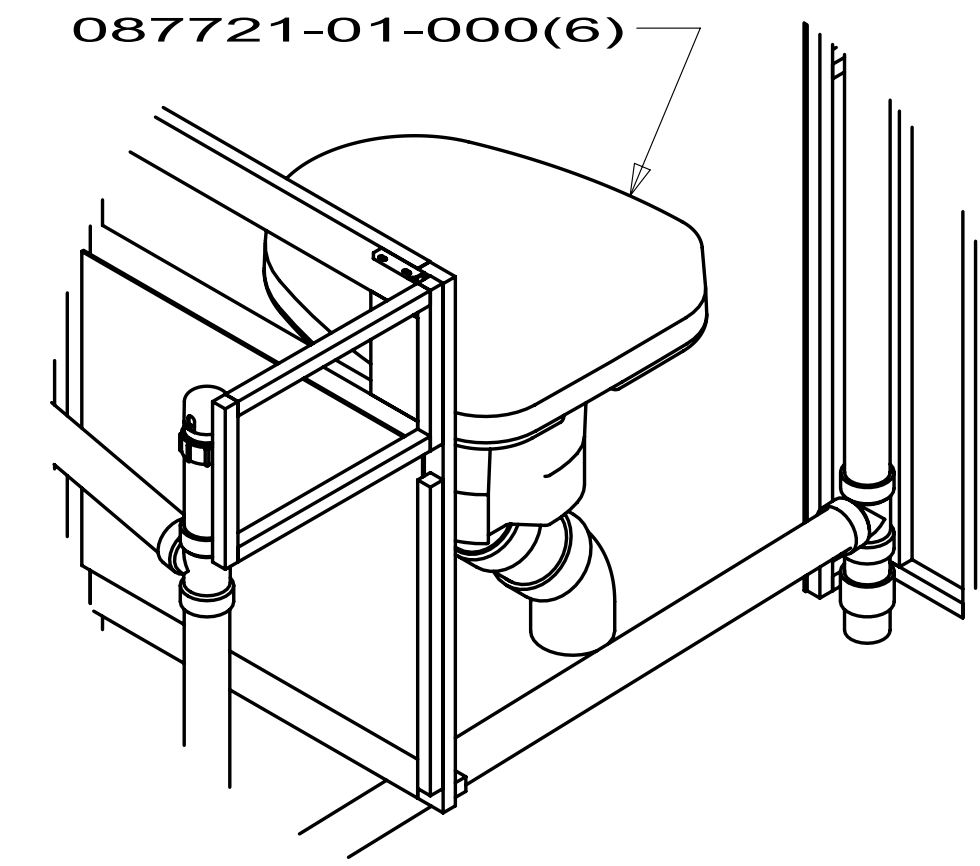
- (43E) TOILET-PORCELAIN-ROUND
- (644) GREAT ALASKAN RENTAL PACKAGE
- (464) TOILET
- (265) CODES/STANDARDS-CSA/CMVSS
- (23T) DRAINAGE SYSTEM-HEATED
- (1B1) CODES/STANDARDS USA
- (086) INTERIOR UPGRADE PACKAGE

- NOTES:
1. SLOPE OF HORIZONTAL PIPING TO BE MINIMUM OF 3 PER 305 mm.
  2. SLOPE OF TRAP ARM MUST BE 6 PER 305 mm.
  3. ALL PIPE AND FITTINGS TO BE ASSEMBLED WITH SOLVENT 004020-01-000 (USA), 004020-02-000 (CAN)
  4. GLUE FITTING AFTER CABINET IS INSTALLED.
  5. SEAL AROUND SHOWER WITH SILICONE.
  6. VENT PIPE MUST PROJECT 51 MIN AND 64 MAX ABOVE ROOF FOR PROPER FIT AND FUNCTION.
  7. SECURE VENT PIPE TO FLOOR WITH CLAMP 062401-02-000 (2), SCREW 000G67-10-12B (2), BRACKET 136878-01-CHT (2).
  8. SECURE DRAINAGE PIPES TO CABINET USING WIRE TIE 108046-02-000, AND SCREW 000G67-10-12B AT INTERVALS OF NOT OF NOT MORE THAN 4 FEET APART.
  9. PREP THE SURFACES PER MANUFACTURES INSTRUCTIONS BEFORE APPLYING THE HEATING PAD.
  10. USE SMOOTH PLUMBERS PUTTY 167459-01-000 TO SEAL STRAINER (0.2 PER STRAINER).

		COPYRIGHT 2011 WINNEBAGO INDUSTRIES, INC.
DTR	ORIG. DATE	ALL DIMENSIONS ARE IN MILLIMETERS
CHKR		
P.E.		
M.E.	FIRST USED	
DSNR		11 231C/CP
UNSPECIFIED TOLERANCES ARE: WHOLE DIM (X) : 3 ONE-PLACE (X.X) : 1.5 TWO-PLACE (X.XX) : 0.50 ANGLE : 1°		MATERIAL: REFER TO ES0018 FOR FASTENER TIGHTENING GUIDELINES
THIRD ANGLE PROJECTION		
DO NOT SCALE DRAWING		
TITLE: <b>DRAINAGE SYSTEM INSTL</b>		
SHEET 1 OF 5	PART NO	174177
REF:		1

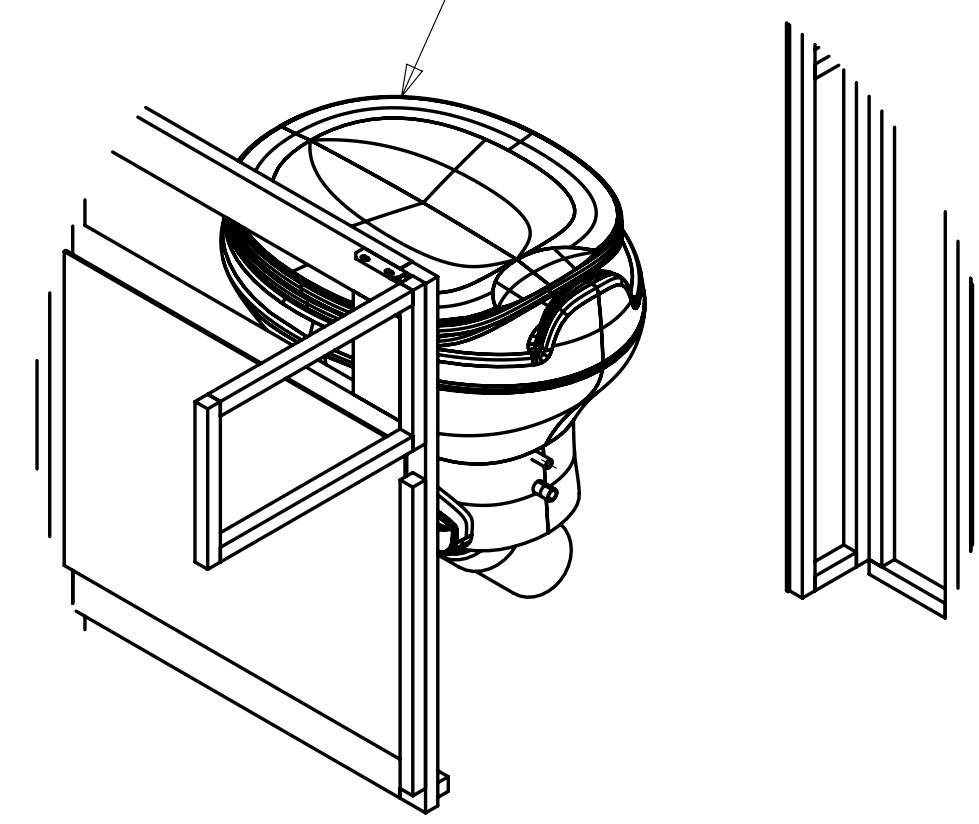
FOR  
DRAINAGE  
CALLOUTS  
SEE DWG NO  
116229-01-000

TOILET  
147421-05-CHT  
160815-02-CHT  
SCREW  
087721-01-000(6)



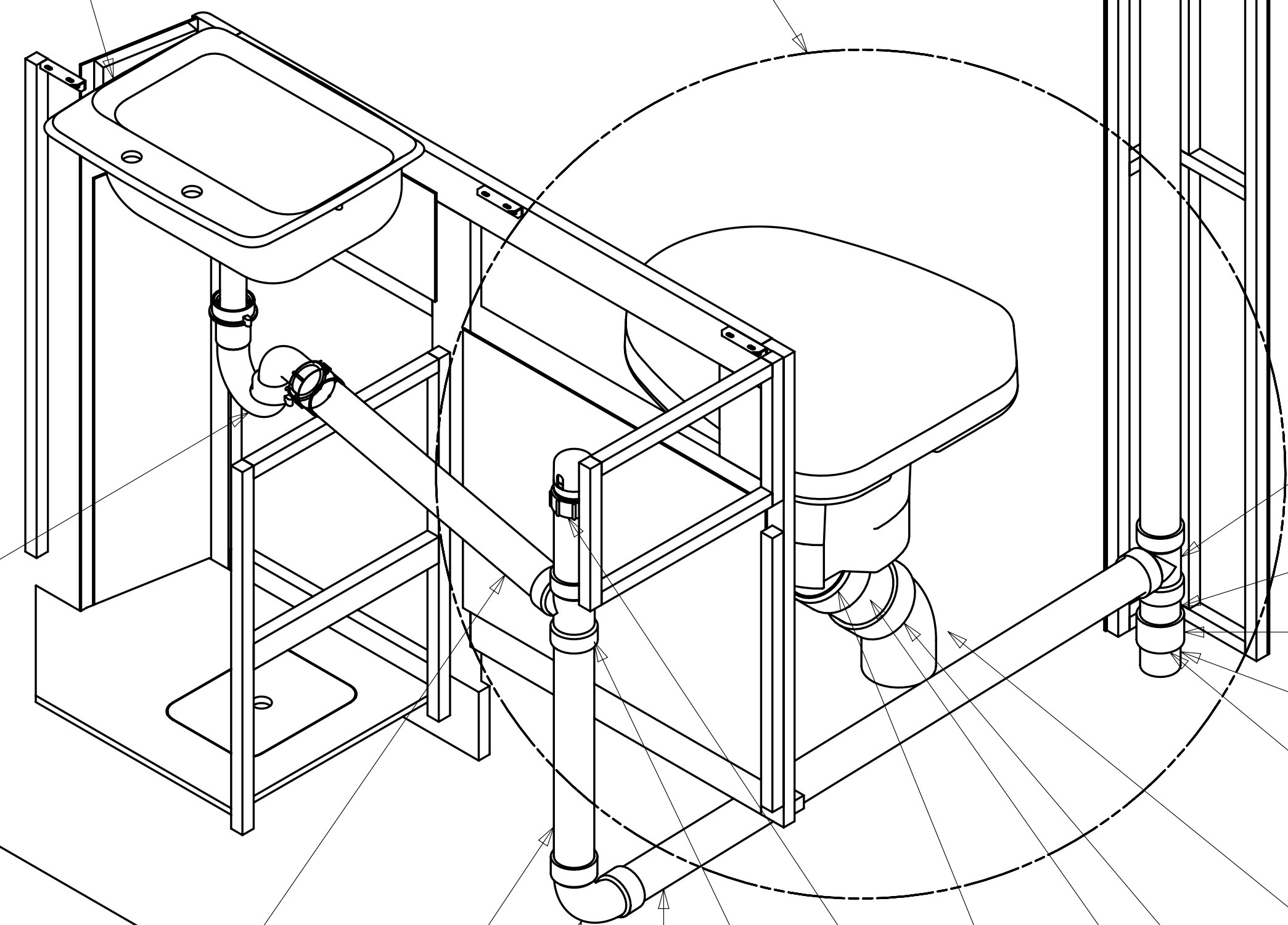
DETAIL G

TOILET  
160815-04-CHT  
SCREW  
087721-01-000(6)



DETAIL H

SINK  
096927-01-CHT  
SEAL  
091255-02-000 (A/R)



VIEW A

1B1 P-1  
265 P-3  
1B1 A-15

1 1  
600 500  
265 1B1

1  
360

E-6

1  
915

T-1

VM-1

2  
145

FLANGE-CLOSET  
151541-01-000

T-1

1  
65

C-3

G-1  
7

1  
55

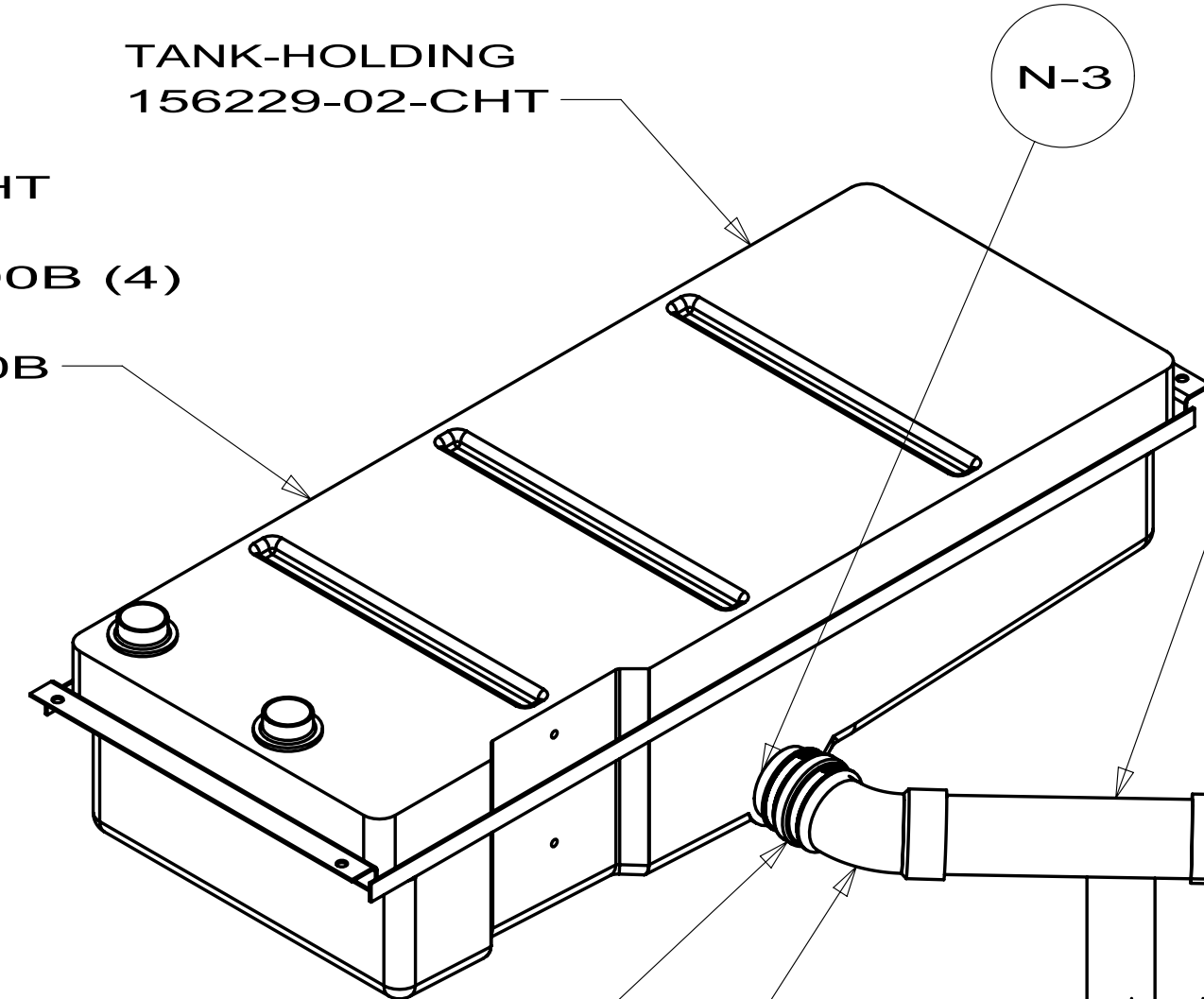
G-2

CP-2  
6

1  
1940

DETAIL G OR H  
(SEE TAB)

CRADLE ASM  
156612-02-CHT  
WASHER  
000E13-16-00B (4)  
NUT  
000D39-05-00B



4 23T PAD-HEATER, ELBOW  
133972-05-000

VALVE  
129147-01-000

TANK-HOLDING  
156229-02-CHT

N-3

2  
340

2  
75

E-9

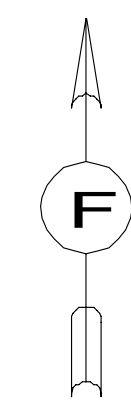
2  
710

HANGER-STRAP  
140220-19-CHT  
BOLT  
000C18-05-40A  
NUT  
000D39-05-00B  
HOLDER-RING  
141443-05-CHT  
BOLT  
000C26-05-16B  
NUT  
000D39-05-00B

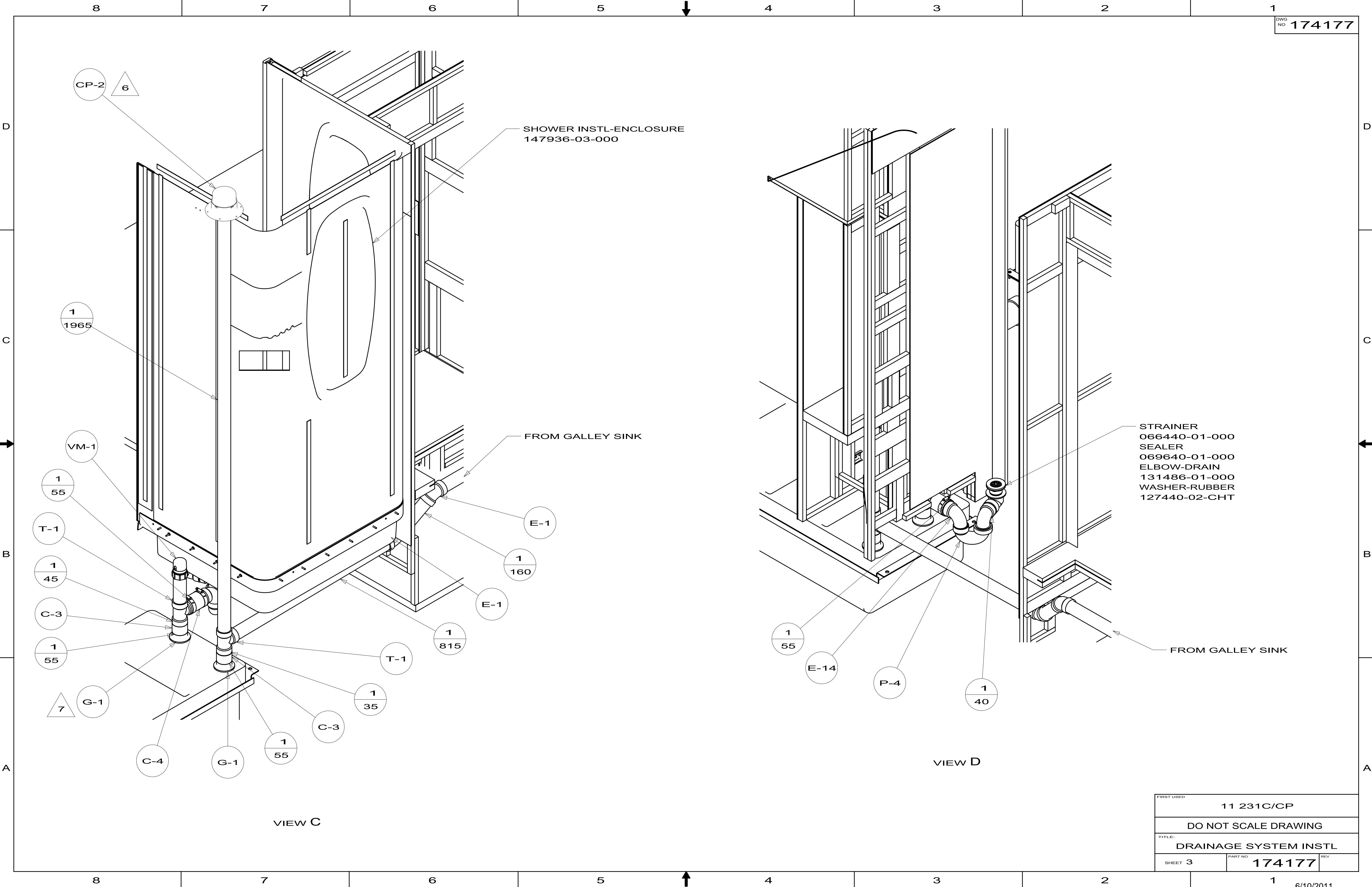
TANK-HOLDING  
156228-02-CHT

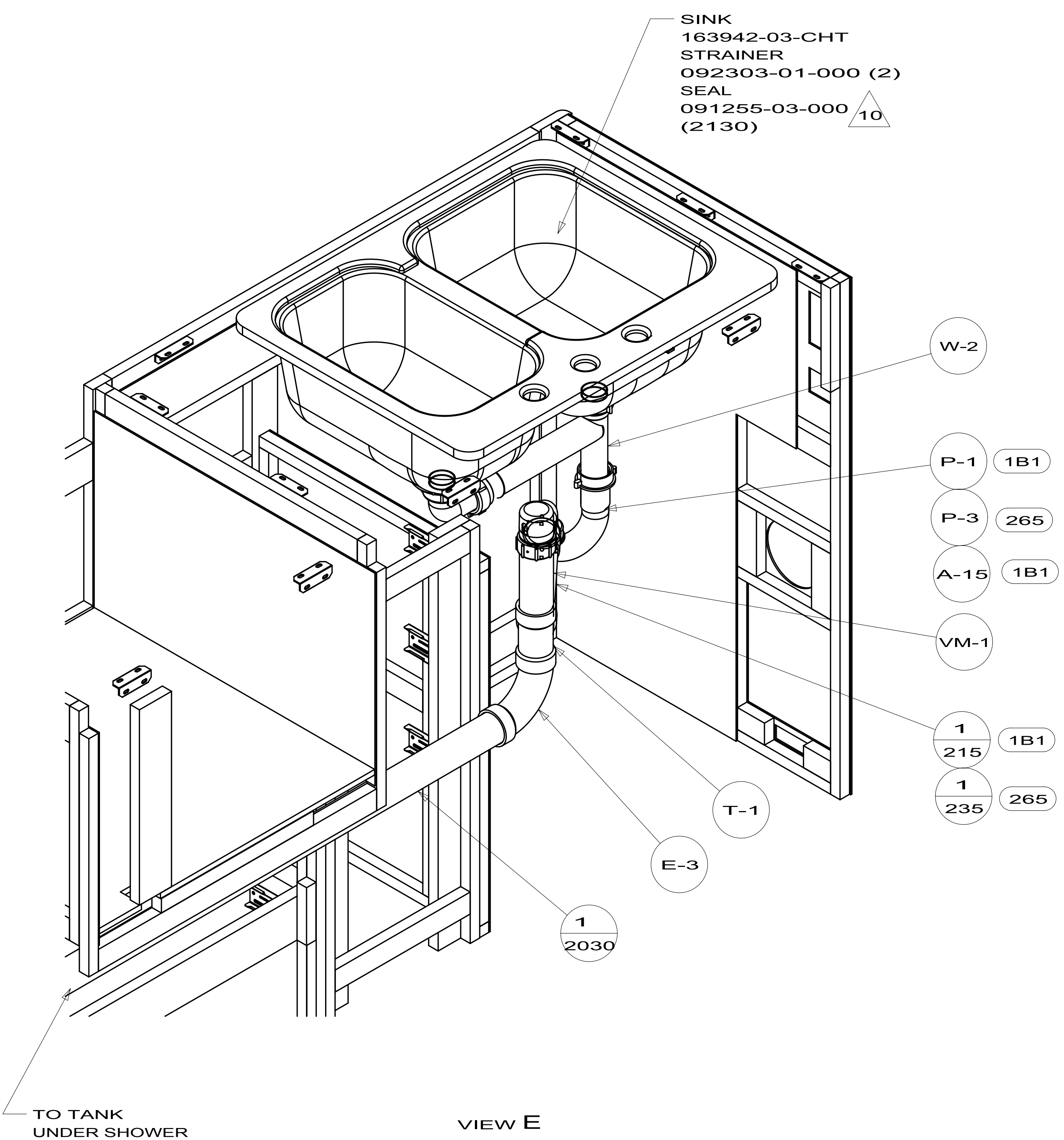
CRADLE ASM  
156612-03-CHT  
WASHER  
000E13-16-00B (4)  
NUT  
000D39-05-00B

VIEW B

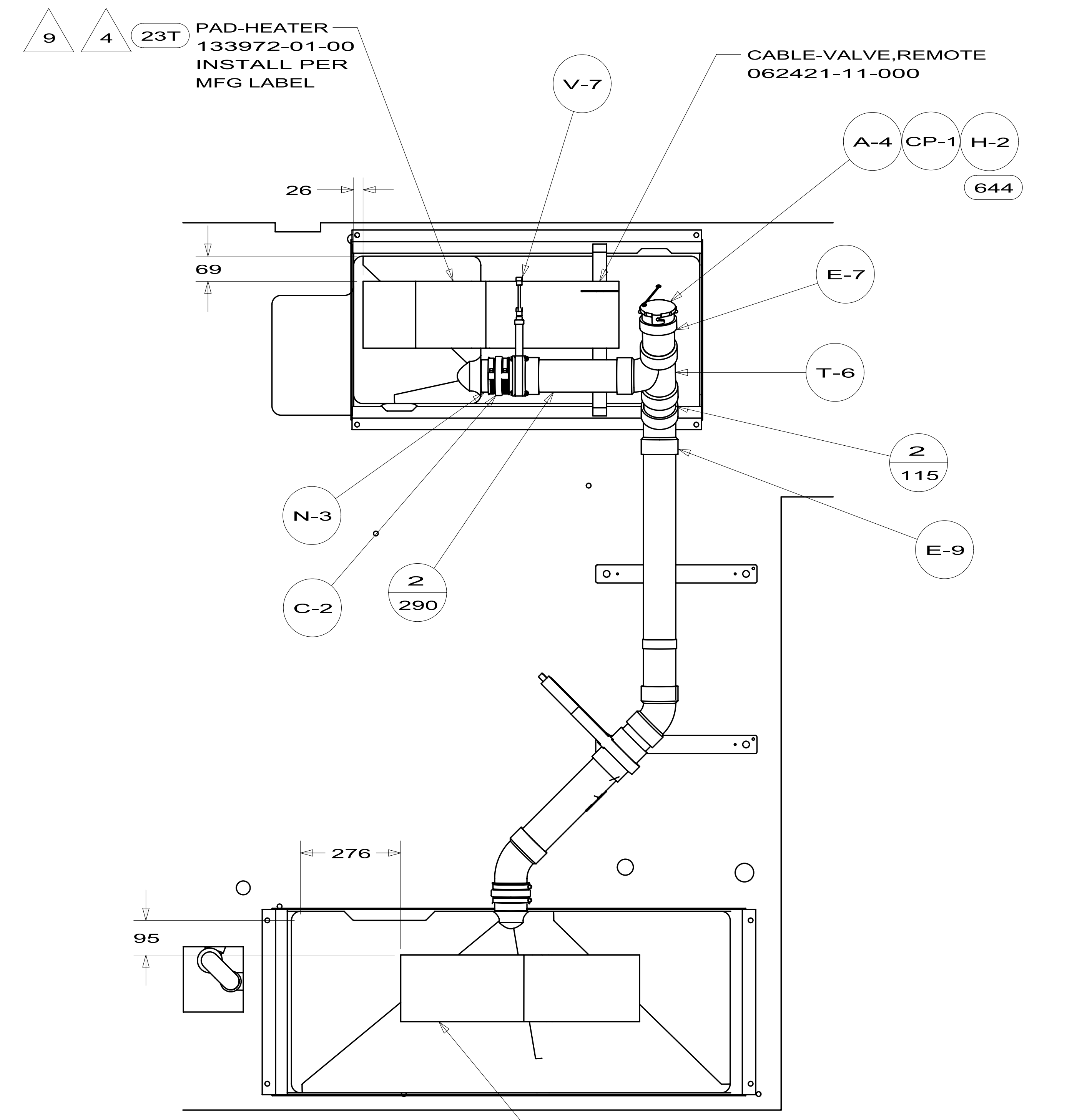


FIRST USED		11 231C/CP	
DO NOT SCALE DRAWING			
TITLE: DRAINAGE SYSTEM INSTL			
SHEET 2	PART NO.	174177	REV



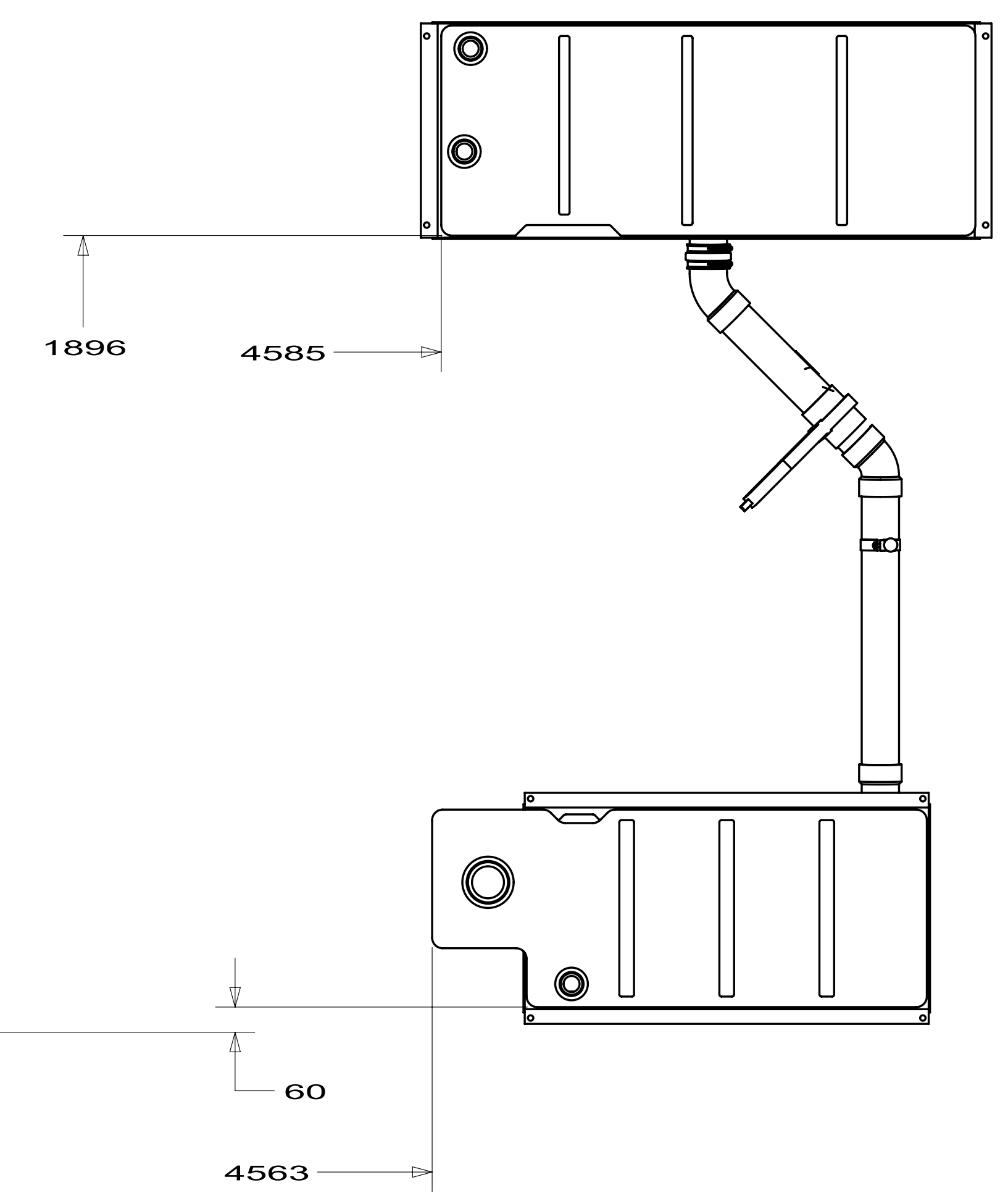
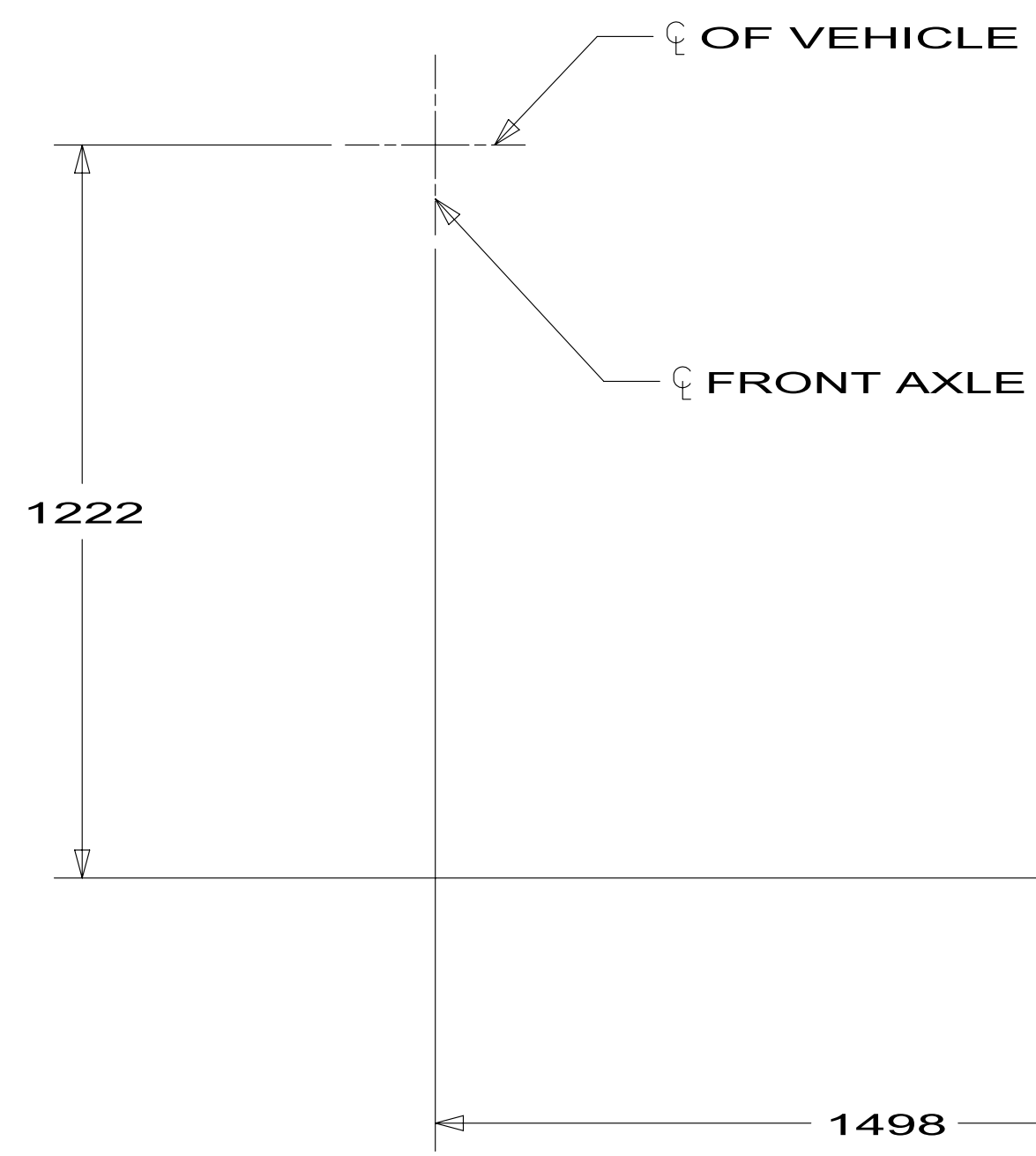


VIEW E



VIEW F

FIRST USED	11 231C/CP	
TITLE:	DO NOT SCALE DRAWING	
TITLE:	DRAINAGE SYSTEM INSTL	
SHEET 4	PART NO 174177	REV

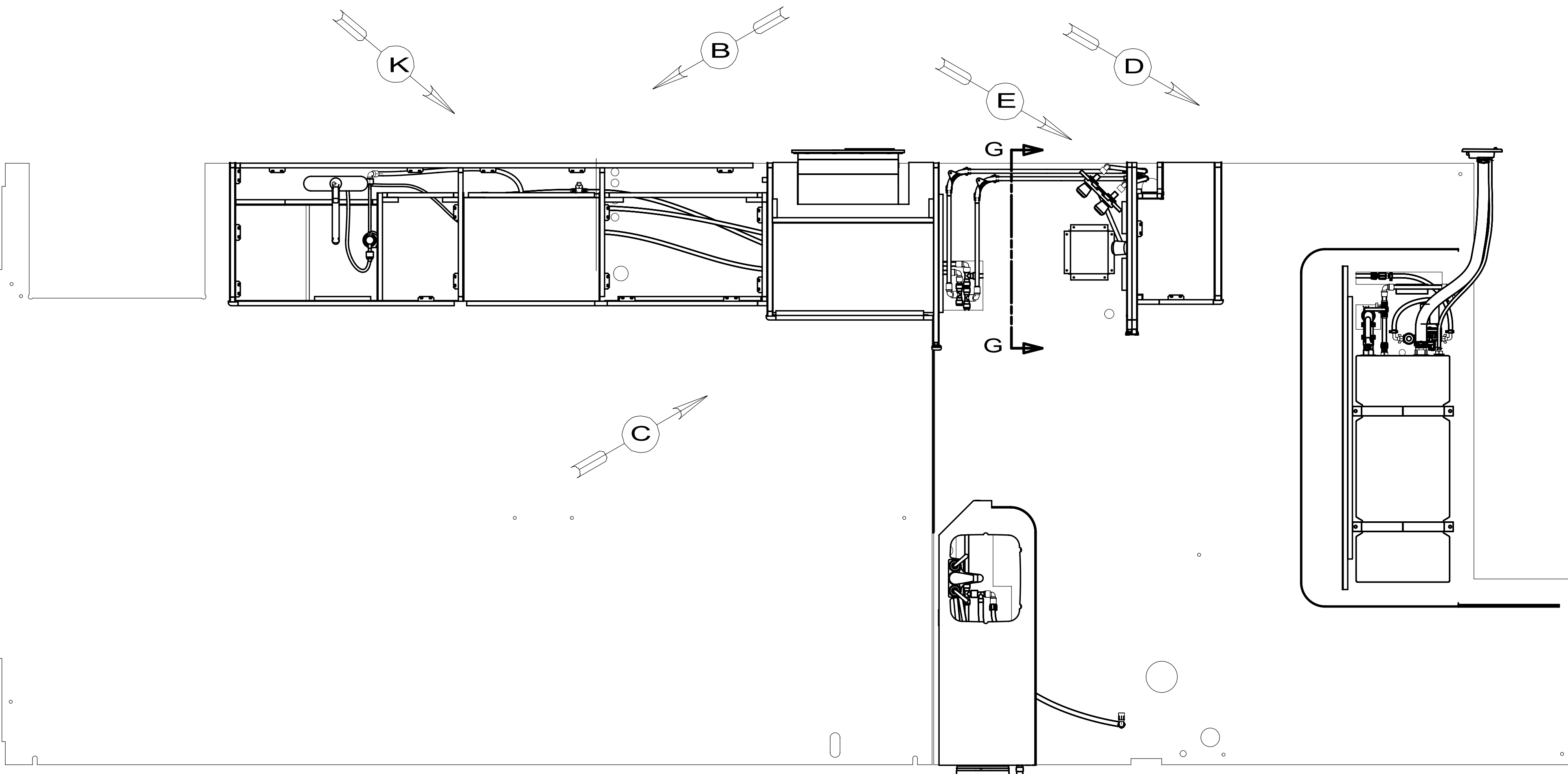


TOP VIEW SHOWING TANK LOCATION

FIRST USED		
11 231C/CP		
DO NOT SCALE DRAWING		
TITLE:		
DRAINAGE SYSTEM INSTL		
SHEET 5	PART NO	REV
	174177	

DWG NO	VIEW	MODEL
178003-01	A,B	231C
178003-02	K,L	231CP

RELEASE	REV DATE	DWG NO	178003
REV ZONE	REVISION RECORD	DATE	DTR-ORIG



12. INSTALL BYPASS PLUG FOR SYSTEM TESTING AND SHIPPING.

11. ATTACH WASHER-PLASTIC 087080-13-CHT W/TAPE-DOUBLE 123816-03 ON BOTTOM SIDE OF FLOOR.

10. ATTACH WASHER-PLASTIC 087080-11-CHT W/TAPE-DOUBLE 123816-03 ON BOTTOM SIDE OF COMPARTMENT.

9. LABEL THE HOT AND COLD SUPPLY RISER TUBES AND TAPE FITTING TO TUBE BEFORE CABINET SET TO PREVENT MOVEMENT.

8. NOT REQUIRED W/644 FEATURE.

7. ADD PIPE WRAP (LADDER SCRAP 110157-02-000) INSULATION.

6. ADD TEFLON TAPE 010405-03-000.

5. ADD TEFLON TAPE 010405-02-000.

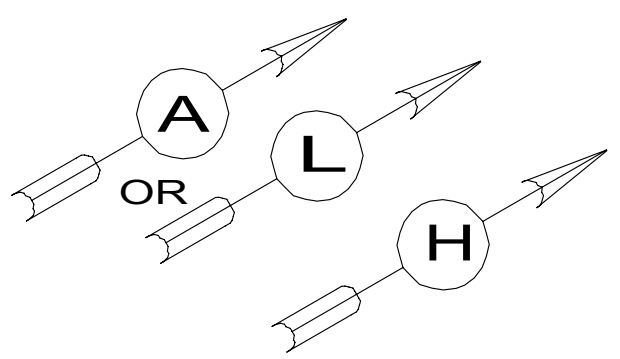
4. ADD TEFLON TAPE 010405-01-000.

3. ALL TUBING TO BE SECURED AT 1200 INTERVALS MAXIMUM WITH CLAMP 010495-01-000 AND SCREW 000G67-10-12B OR EQUIVALENT.

2. TUBING TO BE INSTALLED WITH SUFFICIENT SLOPE TO PROVIDE DRAINAGE TO NEAREST VALVE OR TANK.

1. PLASTIC FITTINGS TO BE SEALED WITH SEALANT 084456-01-000.

NOTES:



- (64R) EXTERIOR WASH STATION
- (53Z) WTR HTR-6GAL/110/LP/MTR/AUTO
- (1J4) EXT WASH STATION - WITHOUT
- (53F) WATER HEATER-ELEC. IGNITION
- (53E) WATER SYS WINTERIZATION PKG
- (644) GREAT ALASKAN RENTAL PACKAGE



DTR	ORIG. DATE
CHKR	ALL DIMENSIONS ARE IN MILLIMETERS
P.E.	
M.E.	FIRST USED
DSNR	12 231C
UNSPECIFIED TOLERANCES ARE:	
WHOLE DIM (X)	: 3
ONE-PLACE (X.X)	: 1.5
TWO-PLACE (X.XX)	: 0.50
ANGLE	: 1°
THIRD ANGLE PROJECTION	
DO NOT SCALE DRAWING	REFER TO ES0018 FOR FASTENER TIGHTENING GUIDELINES
TITLE: WATER SYSTEM INSTL	
SHEET 1 OF 6	PART NO 178003 REV

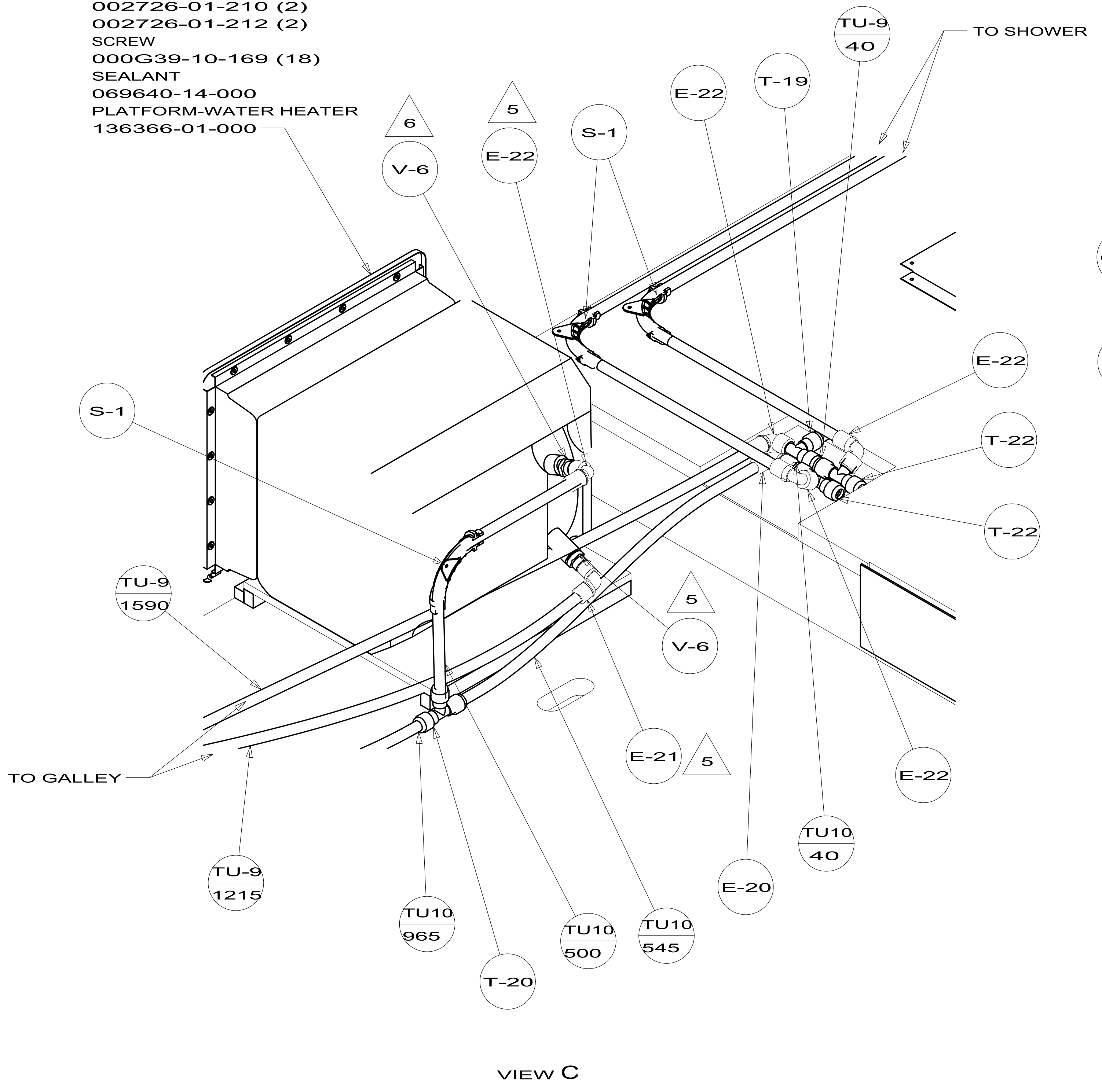
FOR WATER CALLOUTS SEE DWG NO 116230-01-000



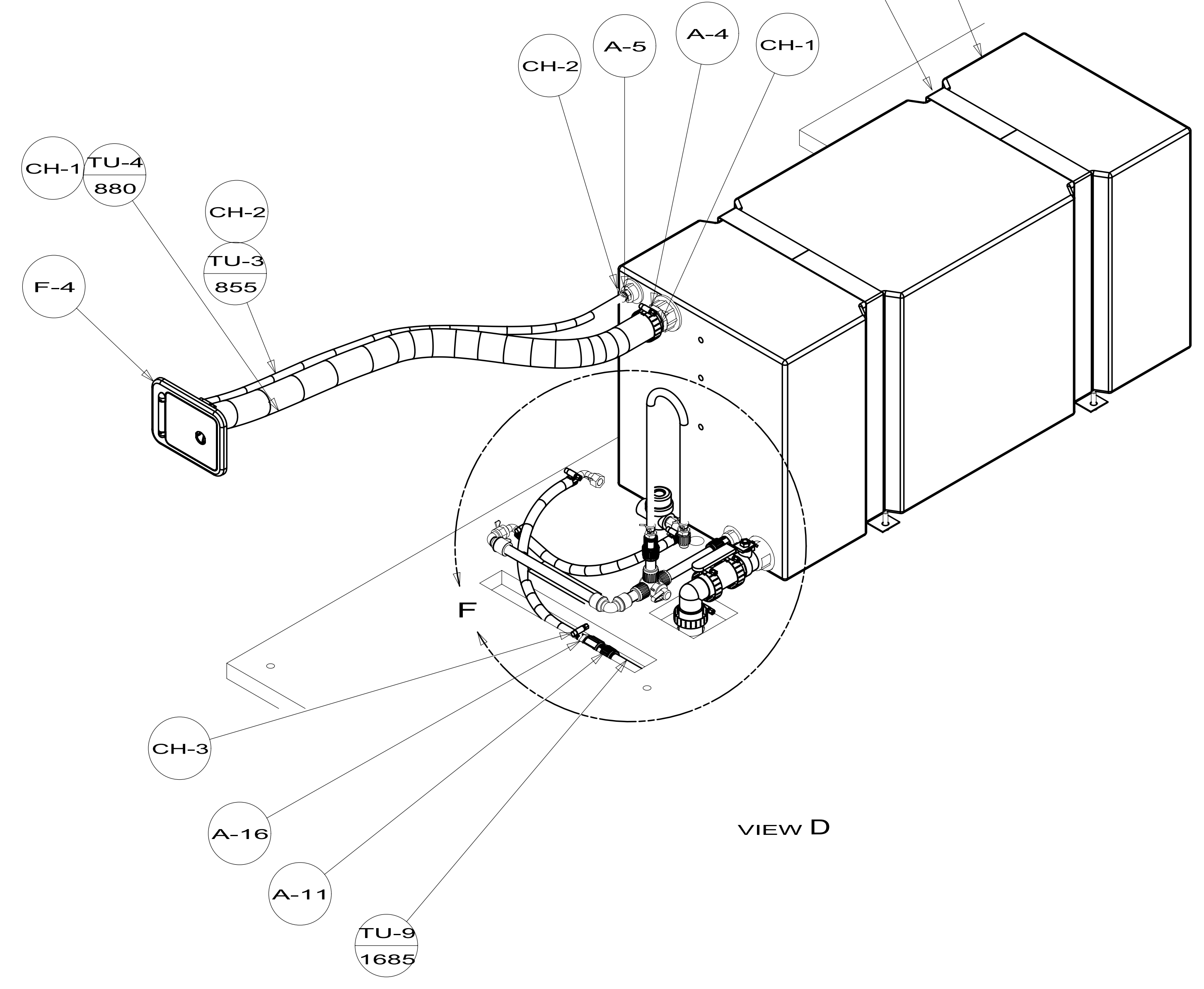
- WATER-HEATER  
051391-03-000 53F
- 53Z 145541-02-000
- DOOR  
125420-06-CHT
- AL EXTR  
002726-01-210 (2)
- 002726-01-212 (2)
- SCREW  
000G39-10-169 (18)
- SEALANT  
069640-14-000
- PLATFORM-WATER HEATER  
136366-01-000

TANK-WATER,36 GAL  
156167-03-000

STRAP-TANK,WATER  
118994-10-000 (2)



VIEW C

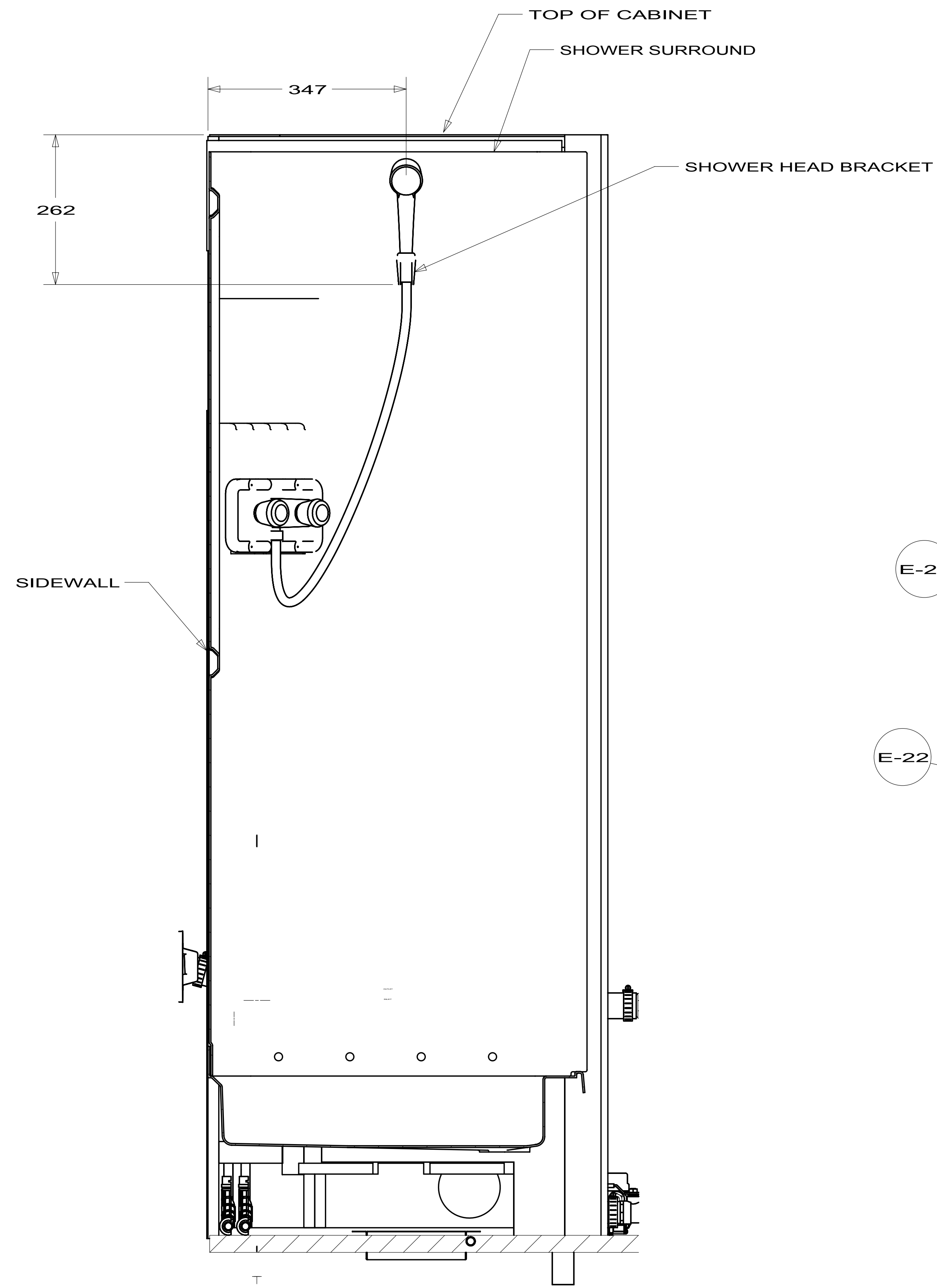


VIEW D

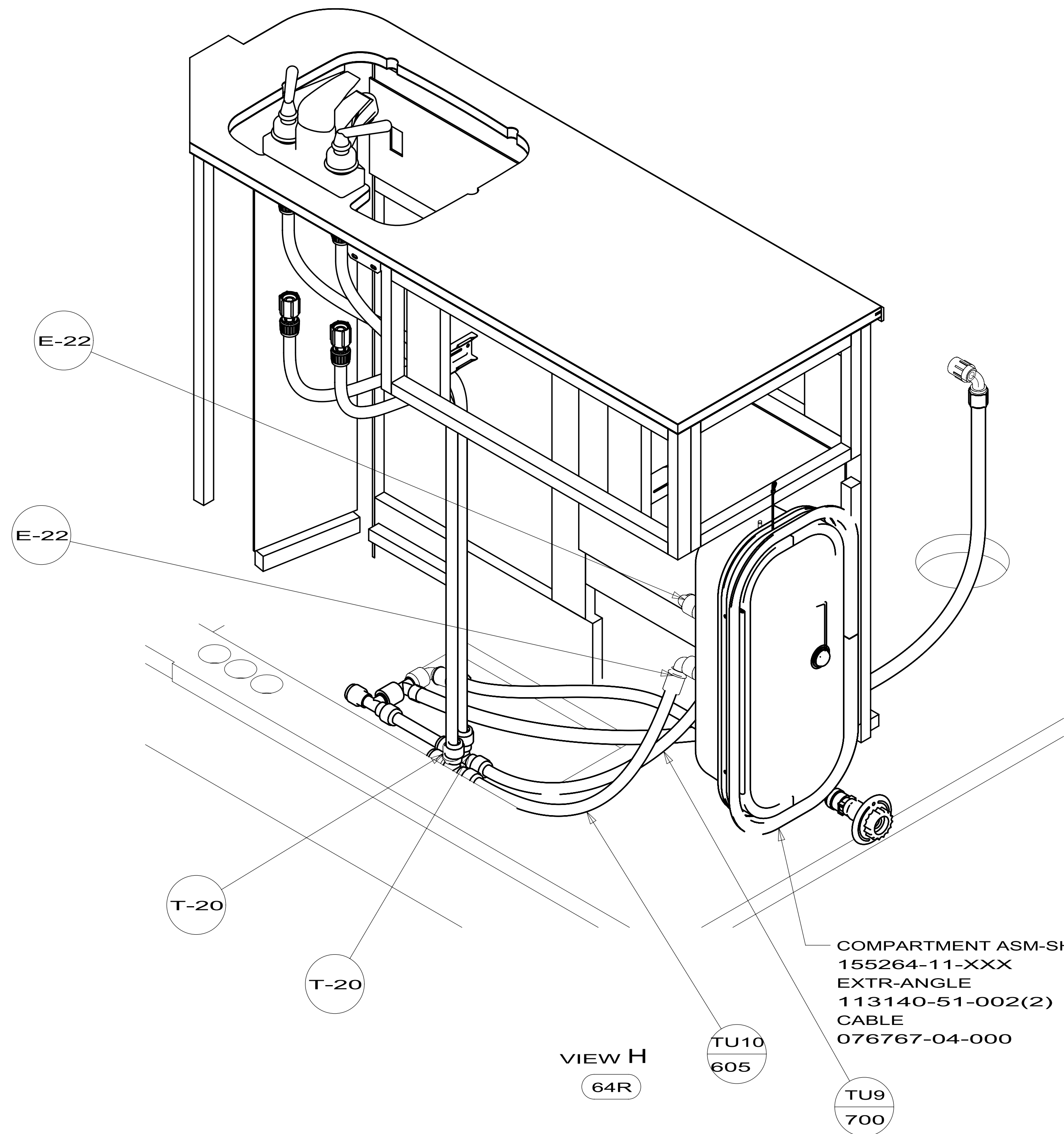
FIRST USED	12 231C	
DO NOT SCALE DRAWING		
TITLE:	WATER SYSTEM INSTL	
SHEET 3	PART NO	178003
	REV	







SECTION G-G



VIEW H  
64R

TU10  
605

TU9  
700

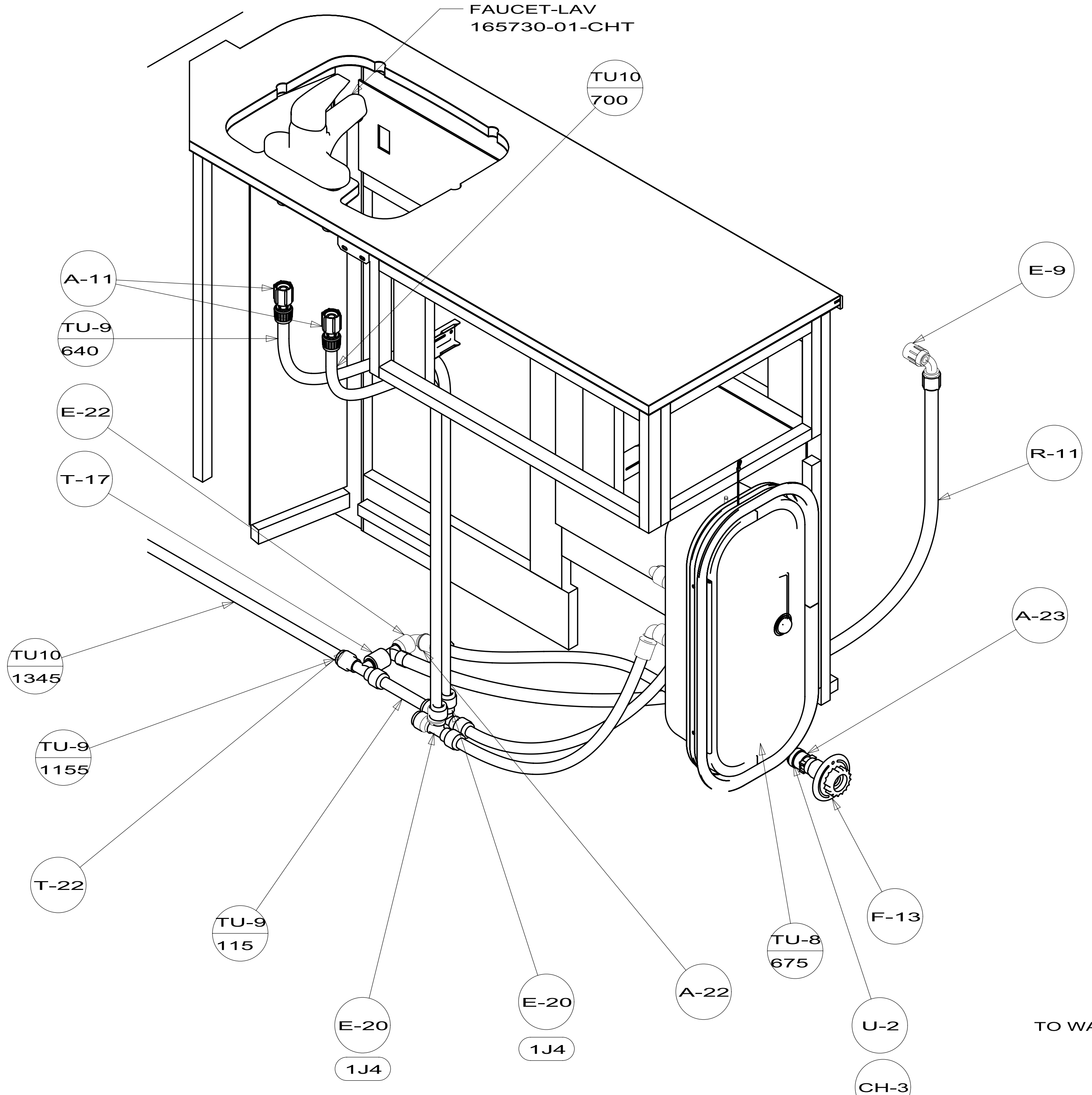
- COMPARTMENT ASM-SHOWER  
155264-11-XXX
- EXTR-ANGLE  
113140-51-002(2)
- CABLE  
076767-04-000

FIRST USED	12 231C	
TITLE:	DO NOT SCALE DRAWING	
	WATER SYSTEM INSTL	
SHEET 5	PART NO 178003	REV

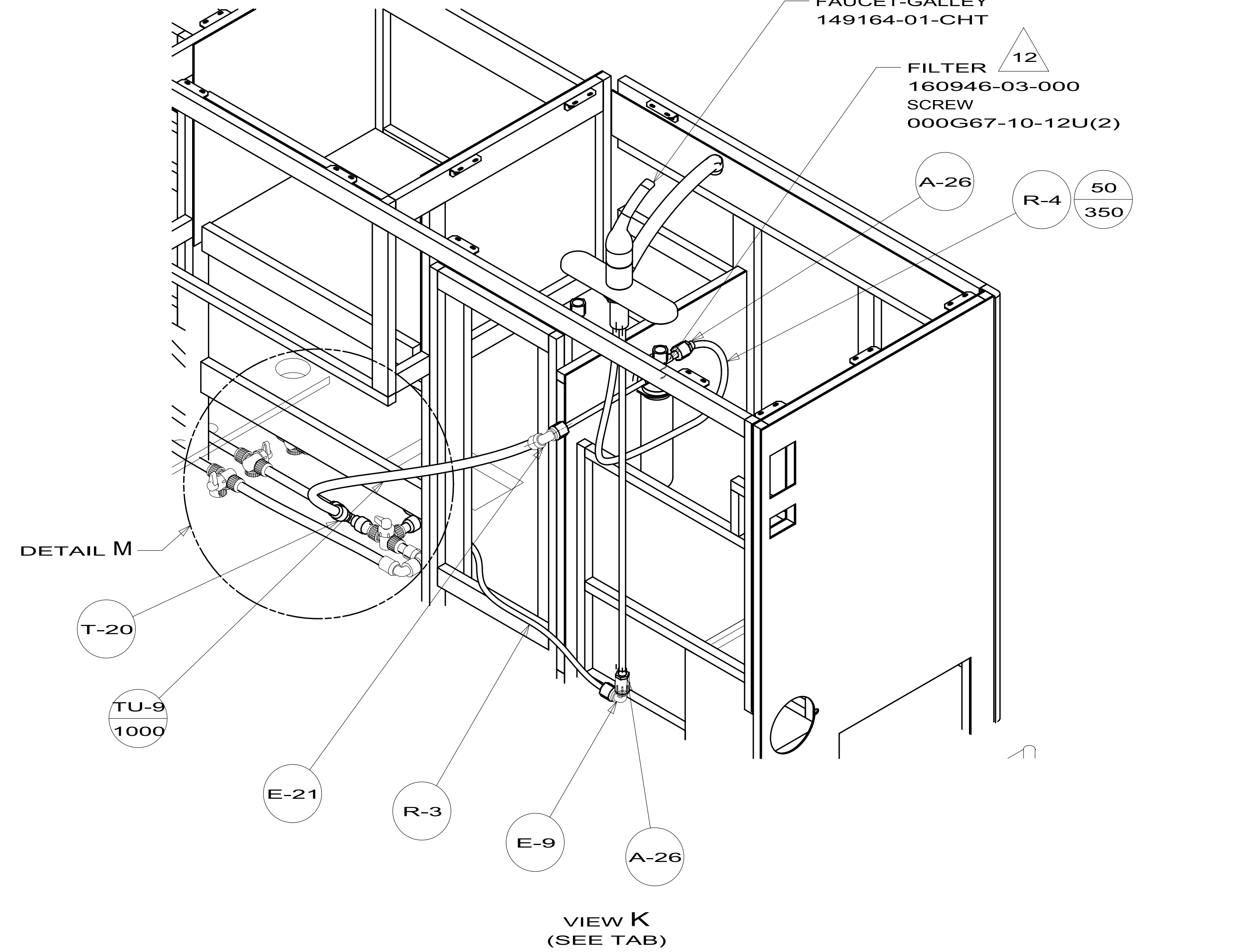
FAUCET-LAV  
165730-01-CHT

FAUCET-GALLEY  
149164-01-CHT

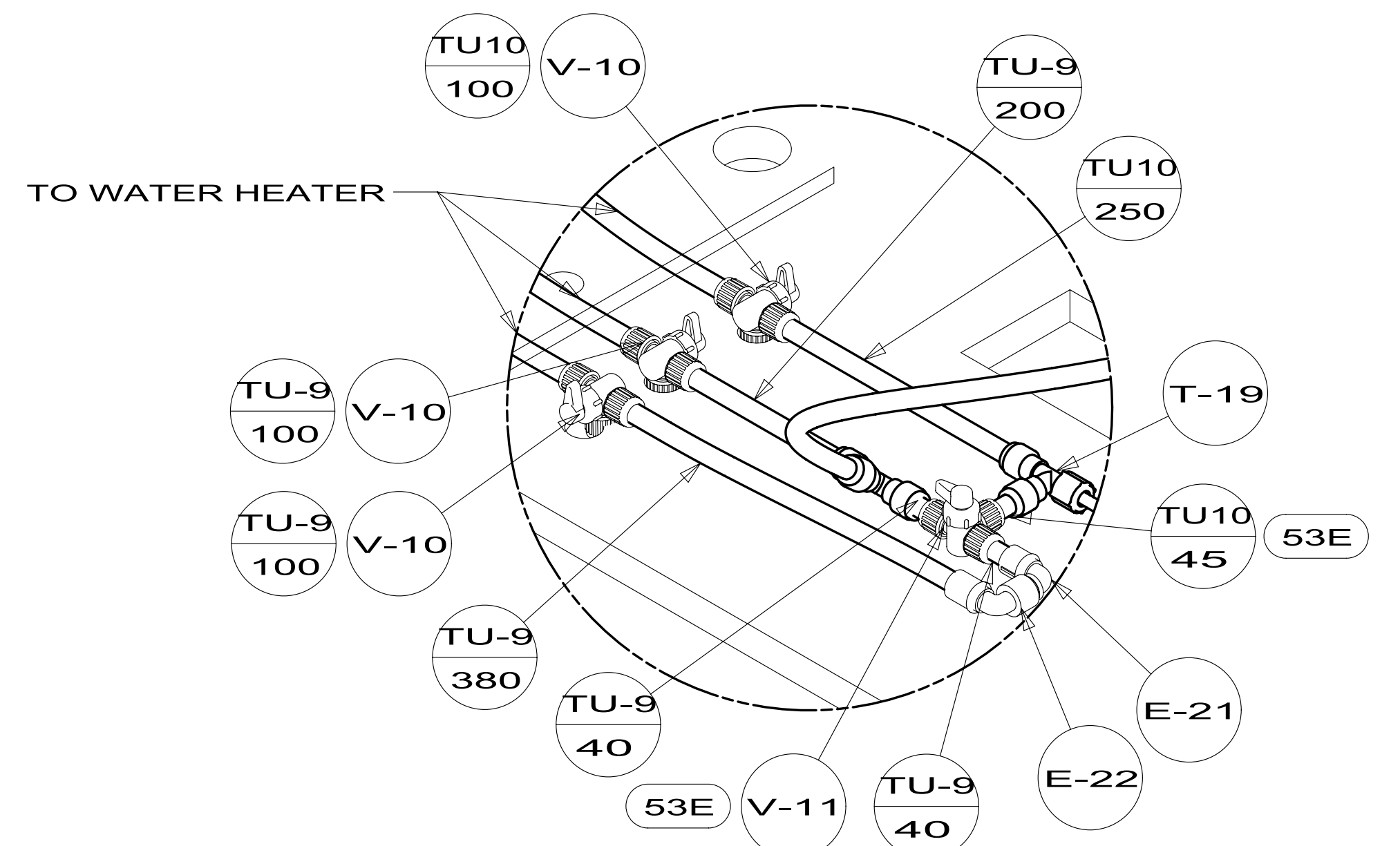
FILTER 12  
160946-03-000  
SCREW  
000G67-10-12U(2)



VIEW L  
(SEE TAB)



VIEW K  
(SEE TAB)



DETAIL M  
(SHOWN W/OUT CABINETS)

FIRST USED	12 231C	
TITLE:	DO NOT SCALE DRAWING	
	WATER SYSTEM INSTL	
SHEET 6	PART NO	178003
	REV	