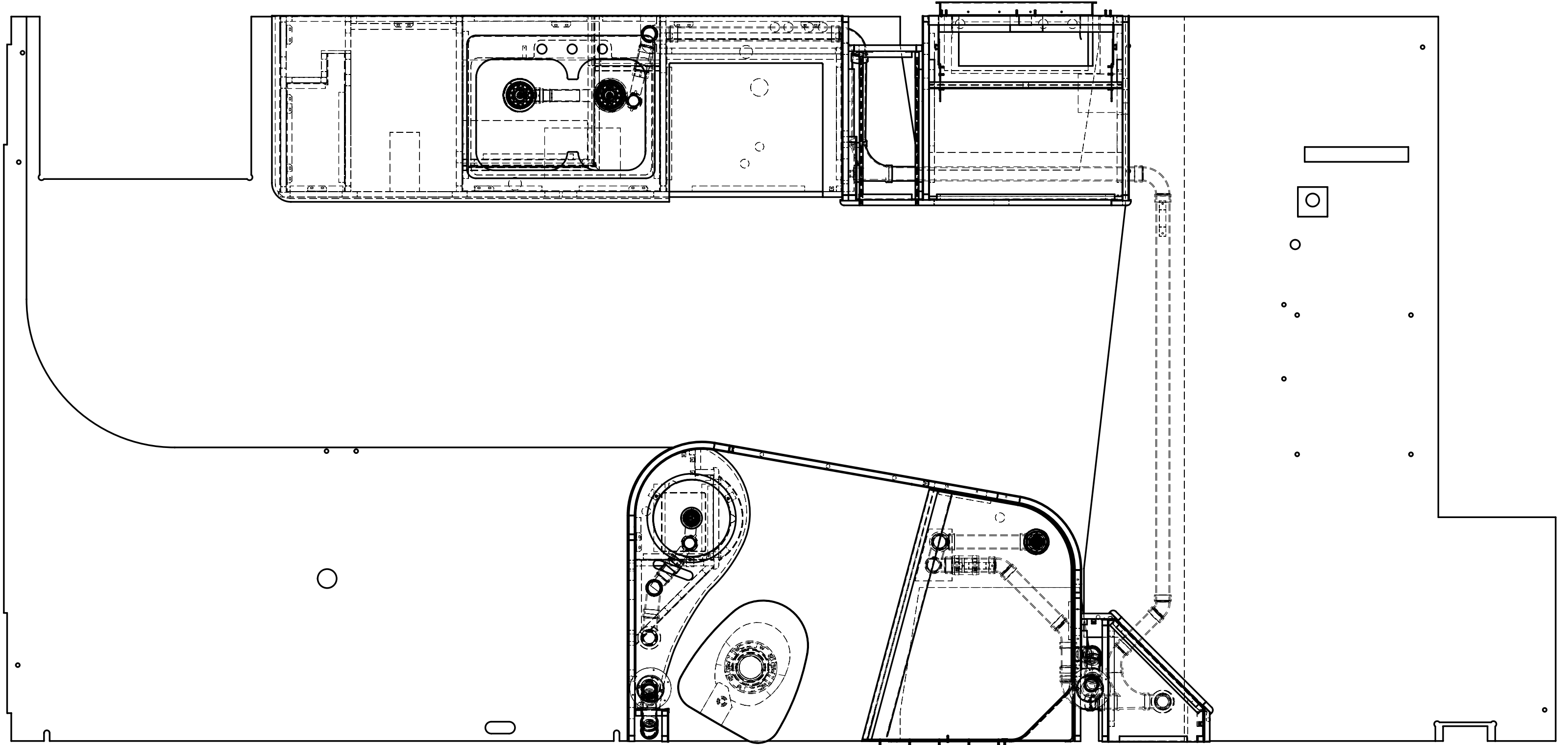


|           |        |
|-----------|--------|
| 8         | 7      |
| DWG NO    | MODEL  |
| 177864-01 | 226Q   |
| 177864-02 | 226QP  |
|           | DETAIL |
|           | G      |
|           | H      |

|        |        |                 |      |          |      |
|--------|--------|-----------------|------|----------|------|
| 1      | DATE   | REV             | DATE | REV      | DATE |
| 1      |        | A               |      |          |      |
| DWG NO | 177864 |                 |      |          |      |
| REV    | ZONE   | REVISION RECORD | DATE | DTR-ORIG |      |

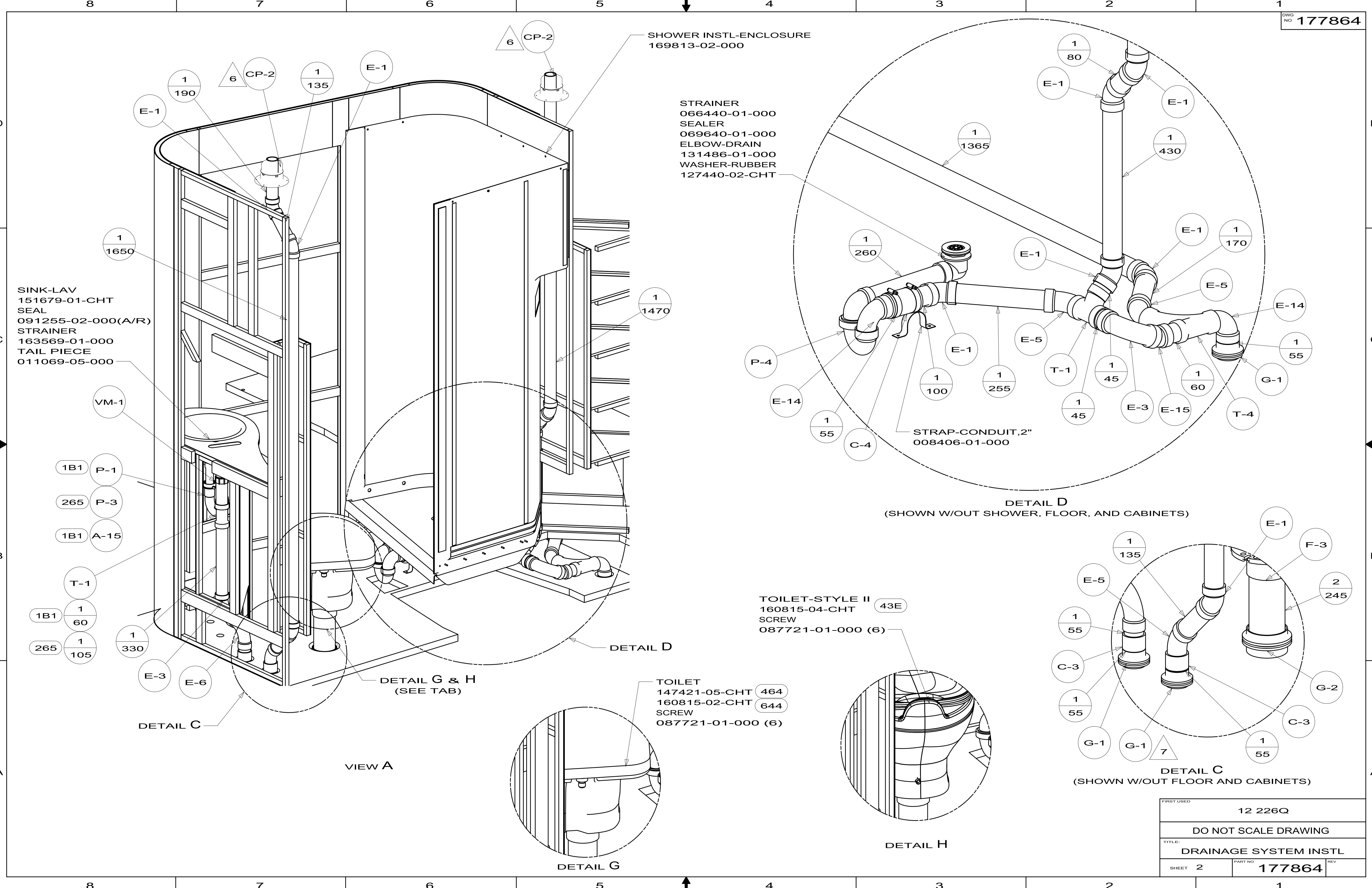


- 11 ROTATE VALVES SO HANDLES CAN BE ACCESSED THROUGH THE DOOR.
- 10 USE SMOOTH PLUMBERS PUTTY 167459-01-000 TO SEAL STRAINER (0.2 PER STRAINER).
9. PREP THE SURFACE PER MANUFACTURERS INSRUCTIONS, BEFORE APPLYING THE HEATING PAD.
8. SECURE DRAINAGE PIPES TO CABINET USING WIRE TIE 108046-02-000, AND SCREW 000G67-10-12B AT INTERVALS OF NOT OF NOT MORE THAN 4 FEET APART.
- 7 SECURE VENT PIPE TO FLOOR WITH CLAMP 062401-02-000 (2),SCREW 000G67-10-12B (2), BRACKET 136878-01-CHT (2).
- 6 VENT PIPE MUST PROJECT 51 MIN AND 64 MAX ABOVE ROOF FOR PROPER FIT AND FUNCTION.
5. SEAL AROUND SHOWER WITH SILICONE.
- 4 SEE WIRING INSTL-BODY, 12V FOR ELECTRICAL CONNECTION.
3. ALL PIPE AND FITTINGS TO BE ASSEMBLED WITH SOLVENT 004020-01-000 (USA), 004020-02-000 (CAN)
2. SLOPE OF TRAP ARM MUST BE 6 PER 305 mm.
1. SLOPE OF HORIZONTAL PIPING TO BE MINIMUM OF 3 PER 305 mm.

- 649 RENTAL - CANADREAM
- 43E TOILET-PORCELAIN-ROUND
- 644 GREAT ALASKAN RENTAL PACKAGE
- 464 TOILET
- 265 CODES/STANDARDS-CSA/CMVSS
- 23T DRAINAGE SYSTEM-HEATED
- 1B1 CODES/STANDARDS USA

|  |            |   |     |
|--|------------|---|-----|
| <b>WINNEBAGO</b>                       |            | COPYRIGHT 2012<br>WINNEBAGO<br>INDUSTRIES, INC.       |     |
| DTR                                    | ORIG. DATE | ALL DIMENSIONS ARE<br>IN MILLIMETERS                  |     |
| CHKR                                   |            |   |     |
| P.E.                                   |            |   |     |
| M.E.                                   | FIRST USED |   |     |
| DSNR                                   |            | 12 226Q   |     |
| UNSPECIFIED TOLERANCES ARE:            |            | MATERIAL:   |     |
| WHOLE DIM (X)                          | : 3        |   |     |
| ONE-PLACE (X.X)                        | : 1.5      |   |     |
| TWO-PLACE (X.XX)                       | : 0.50     |   |     |
| ANGLE                                  | : 1°       |   |     |
| THIRD ANGLE<br>PROJECTION              |            |   |     |
| DO NOT SCALE DRAWING                   |            | REFER TO ES0018 FOR FASTENER<br>TIGHTENING GUIDELINES |     |
| TITLE:<br><b>DRAINAGE SYSTEM INSTL</b> |            |   |     |
| SHEET 1 OF 4                           | PART NO    | <b>177864</b>   | REV |

FOR  
DRAINAGE  
CALLOUTS  
SEE DWG NO  
116229-01-000



SHOWER INSTL-ENCLOSURE  
169813-02-000

STRAINER  
066440-01-000  
SEALER  
069640-01-000  
ELBOW-DRAIN  
131486-01-000  
WASHER-RUBBER  
127440-02-CHT

SINK-LAV  
151679-01-CHT  
SEAL  
091255-02-000(A/R)  
STRAINER  
163569-01-000  
TAIL PIECE  
011069-05-000

TOILET-STYLE II  
160815-04-CHT 43E  
SCREW  
087721-01-000 (6)

TOILET  
147421-05-CHT 464  
160815-02-CHT 644  
SCREW  
087721-01-000 (6)

DETAIL D  
(SHOWN W/OUT SHOWER, FLOOR, AND CABINETS)

DETAIL C  
(SHOWN W/OUT FLOOR AND CABINETS)

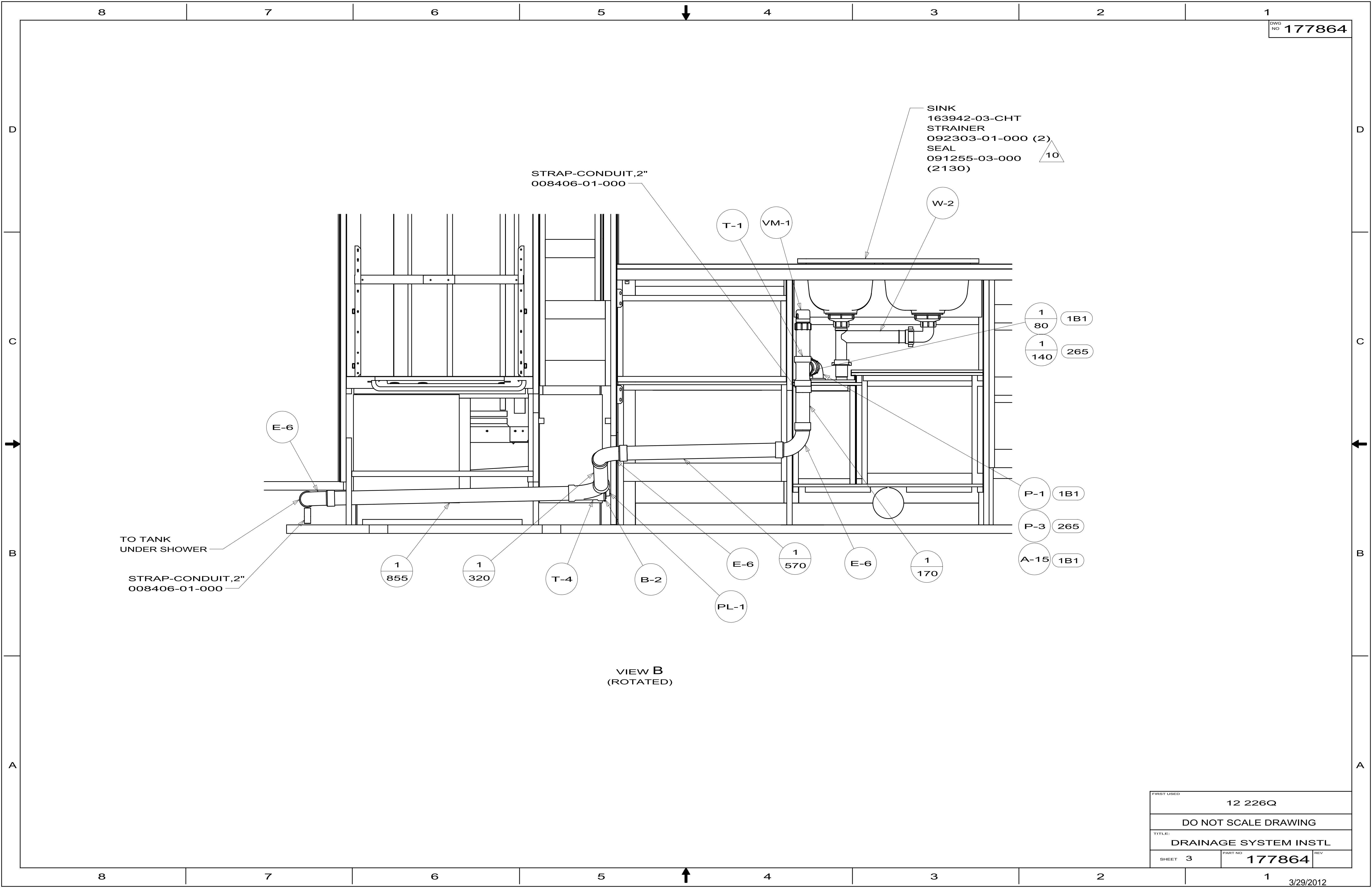
DETAIL H

VIEW A

DETAIL G & H  
(SEE TAB)

DETAIL C

|                                 |                   |     |
|---------------------------------|-------------------|-----|
| FIRST USED                      | 12 226Q           |     |
| DO NOT SCALE DRAWING            |                   |     |
| TITLE:<br>DRAINAGE SYSTEM INSTL |                   |     |
| SHEET 2                         | PART NO<br>177864 | REV |



SINK  
 163942-03-CHT  
 STRAINER  
 092303-01-000 (2)  
 SEAL  
 091255-03-000 (2130)

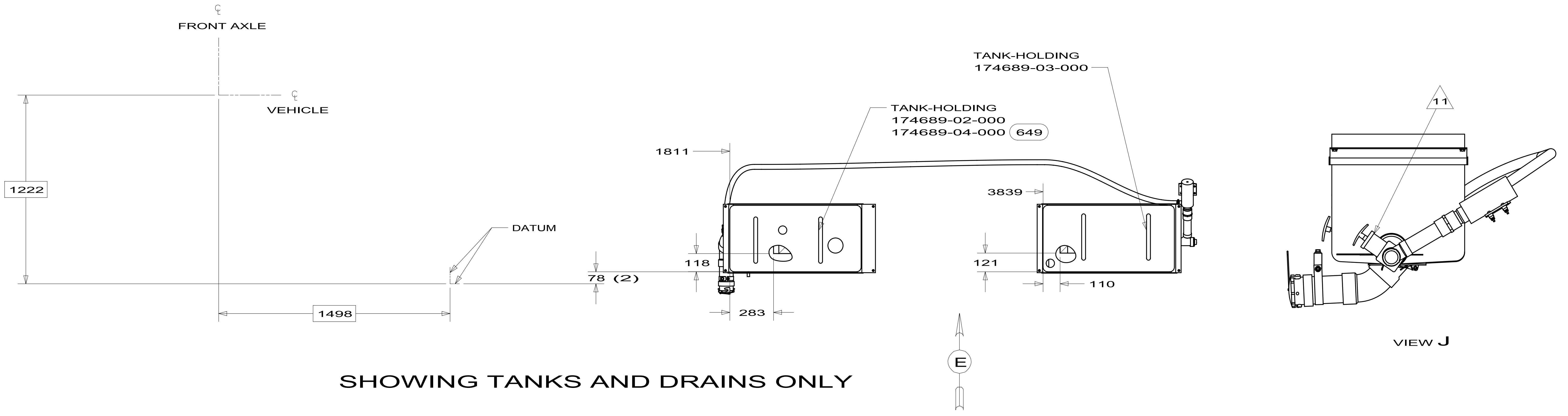
STRAP-CONDUIT, 2"  
 008406-01-000

TO TANK  
 UNDER SHOWER

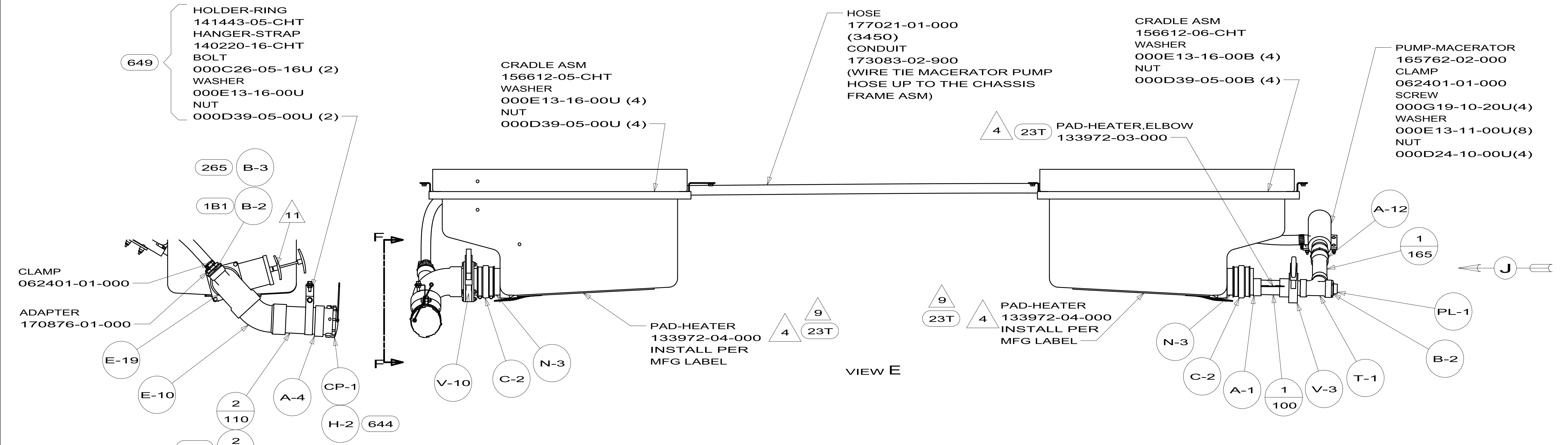
STRAP-CONDUIT, 2"  
 008406-01-000

VIEW B  
 (ROTATED)

|            |                       |        |     |
|------------|-----------------------|--------|-----|
| FIRST USED | 12 226Q               |        |     |
| TITLE:     | DO NOT SCALE DRAWING  |        |     |
|            | DRAINAGE SYSTEM INSTL |        |     |
| SHEET 3    | PART NO               | 177864 | REV |



SHOWING TANKS AND DRAINS ONLY

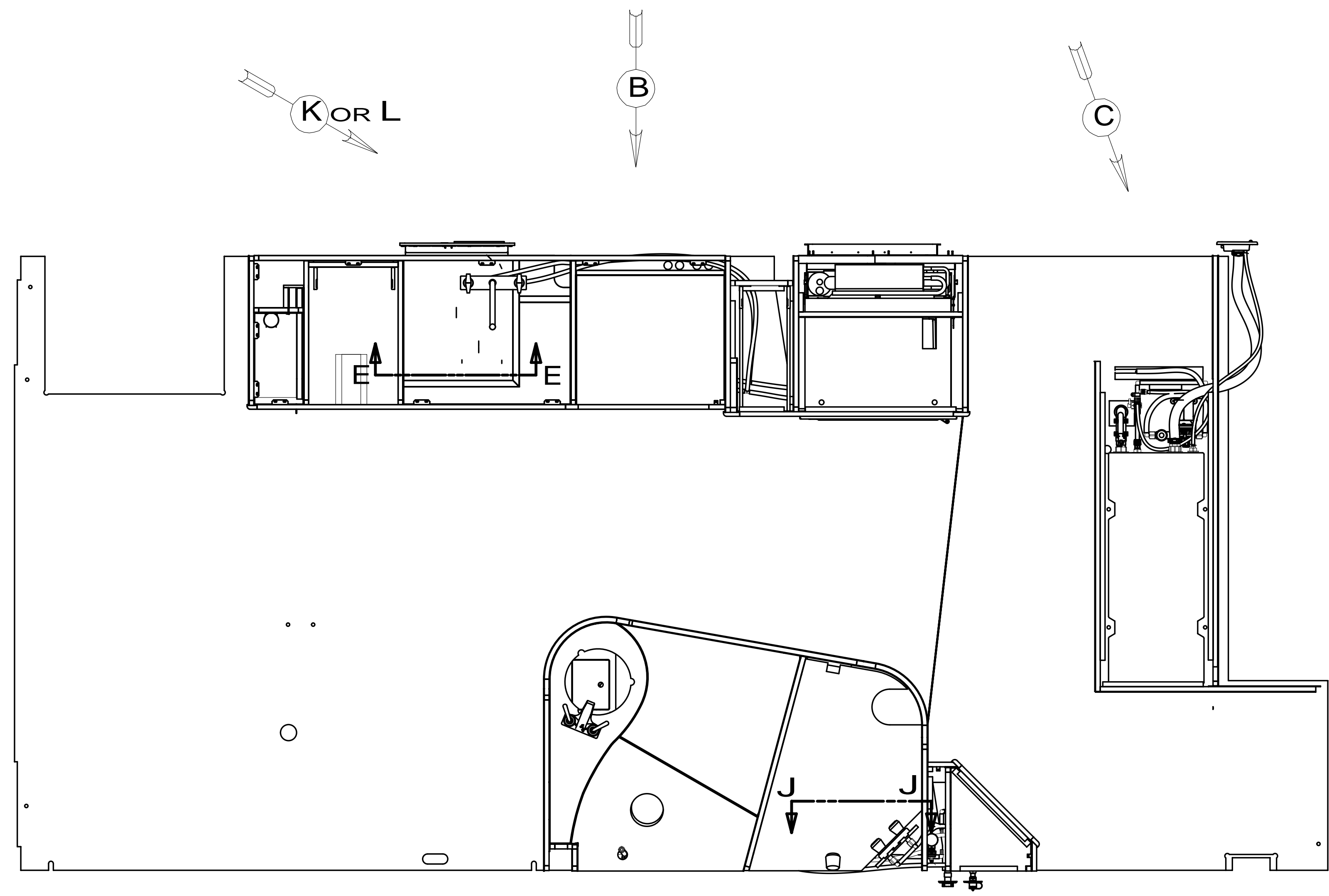


SECTION F-F

|                              |         |        |     |
|------------------------------|---------|--------|-----|
| FIRST USED                   | 12 226Q |        |     |
| DO NOT SCALE DRAWING         |         |        |     |
| TITLE: DRAINAGE SYSTEM INSTL |         |        |     |
| SHEET 4                      | PART NO | 177864 | REV |

|           |       |             |
|-----------|-------|-------------|
| 8         | 7     |             |
| DWG NO    | MODEL | VIEW/DETAIL |
| 178128-01 | 226Q  | K, M        |
| 178128-02 | 226QP | L, N        |

|        |                 |      |          |
|--------|-----------------|------|----------|
| 1      | DATE            | REV  | RELEASE  |
| 178128 |                 | A    |          |
| DWG NO | REVISION RECORD | DATE | DFT-ORIG |



- 11. ATTACH WASHER-PLASTIC 087080-13-CHT W/TAPE-DOUBLE 123816-03 ON BOTTOM SIDE OF FLOOR.
- 10. ATTACH WASHER-PLASTIC 087080-11-CHT W/TAPE-DOUBLE 123816-03 ON BOTTOM SIDE OF COMPARTMENT.

- 9. INSTALL BYPASS PLUG FOR SYSTEM TESTING AND SHIPPING.
- 8. ALL CRIMP FITTINGS TO 1/2" PEX TUBING REQUIRE 1/2" CLAMP 140171-03-000.
- 7. ALL CRIMP FITTINGS TO 5/8" PEX TUBING REQUIRE 5/8" CLAMP 140171-04-000.
- 6. LABEL HOT AND COLD SUPPLY TUBES AND TAPE FITTING TO TUBE BEFORE CABINET SET TO PREVENT MOVEMENT.
- 5. ADD PIPE WRAP (LADDER SCRAP 110157-02-000) INSULATION.
- 4. ADD TEFLON TAPE 010405-02-000.

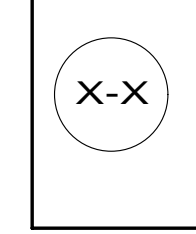
- 3. ALL TUBING TO BE SECURED AT 1200 INTERVALS MAXIMUM WITH CLAMP 010495-01-000 AND SCREW 000G67-10-12U OR EQUIVALENT.
- 2. TUBING TO BE INSTALLED WITH SUFFICIENT SLOPE TO PROVIDE DRAINAGE TO NEAREST VALVE.
- 1. PLASTIC FITTINGS TO BE SEALED WITH SEALANT 084456-01-000.

NOTES:

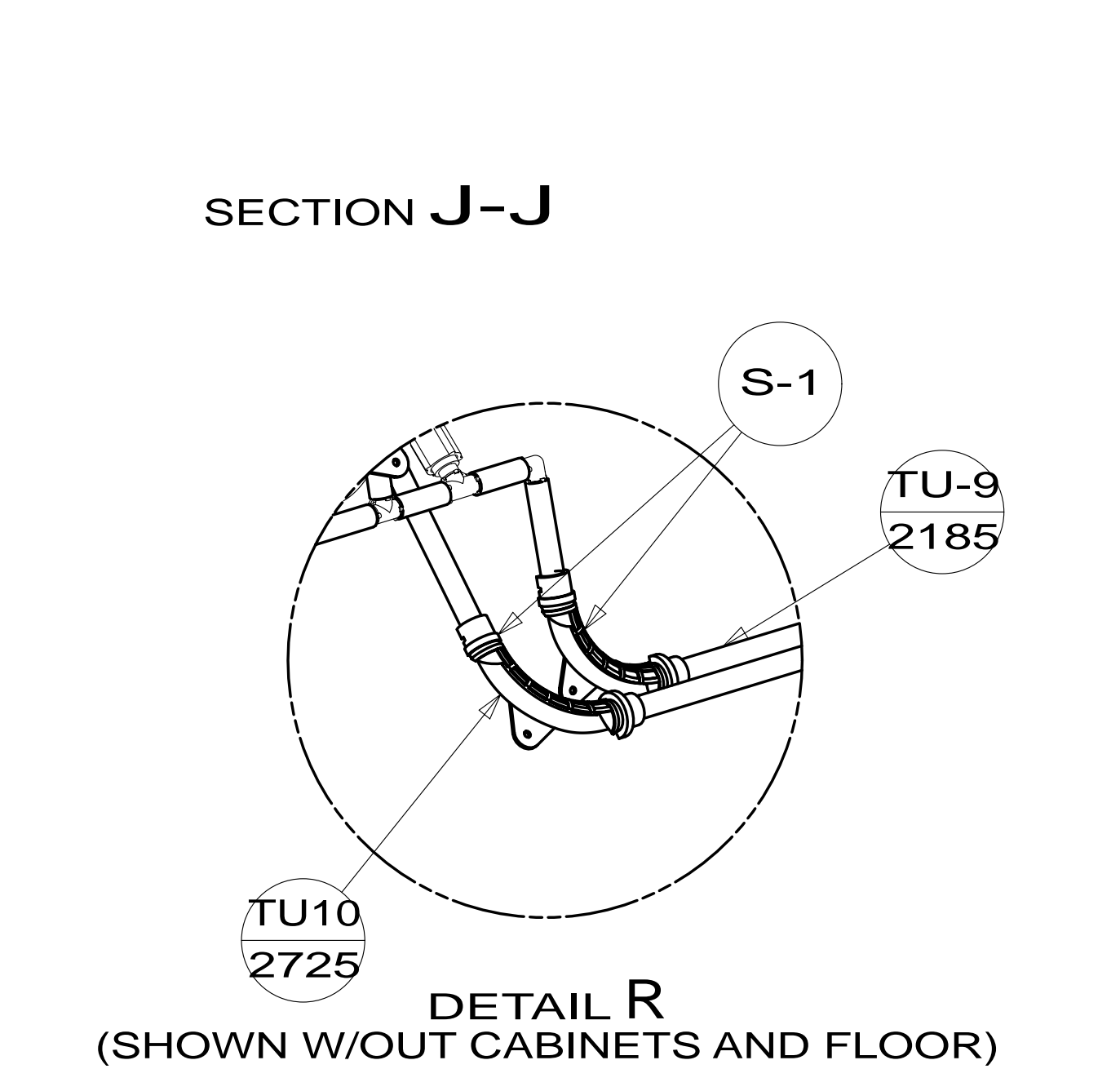
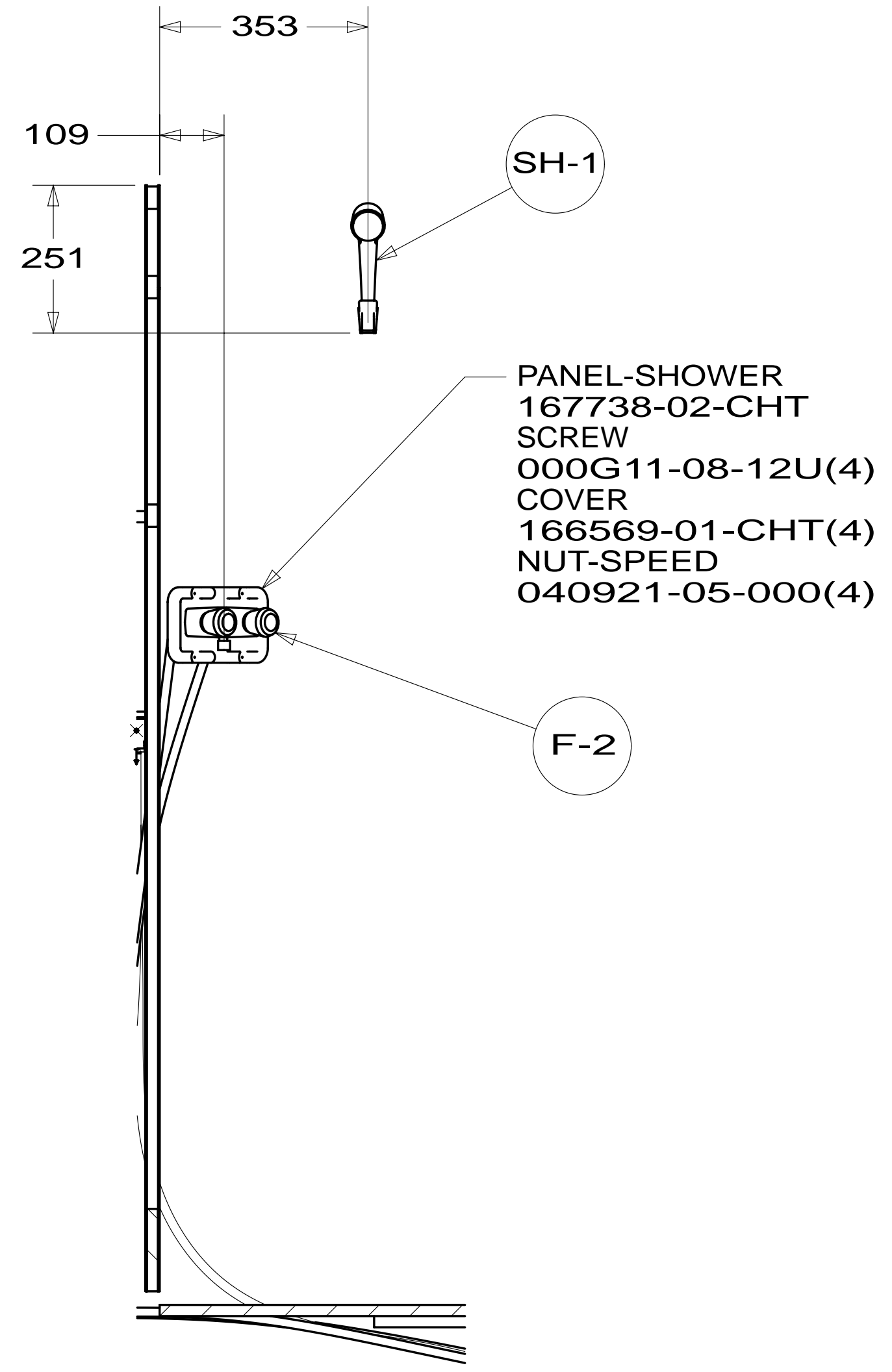
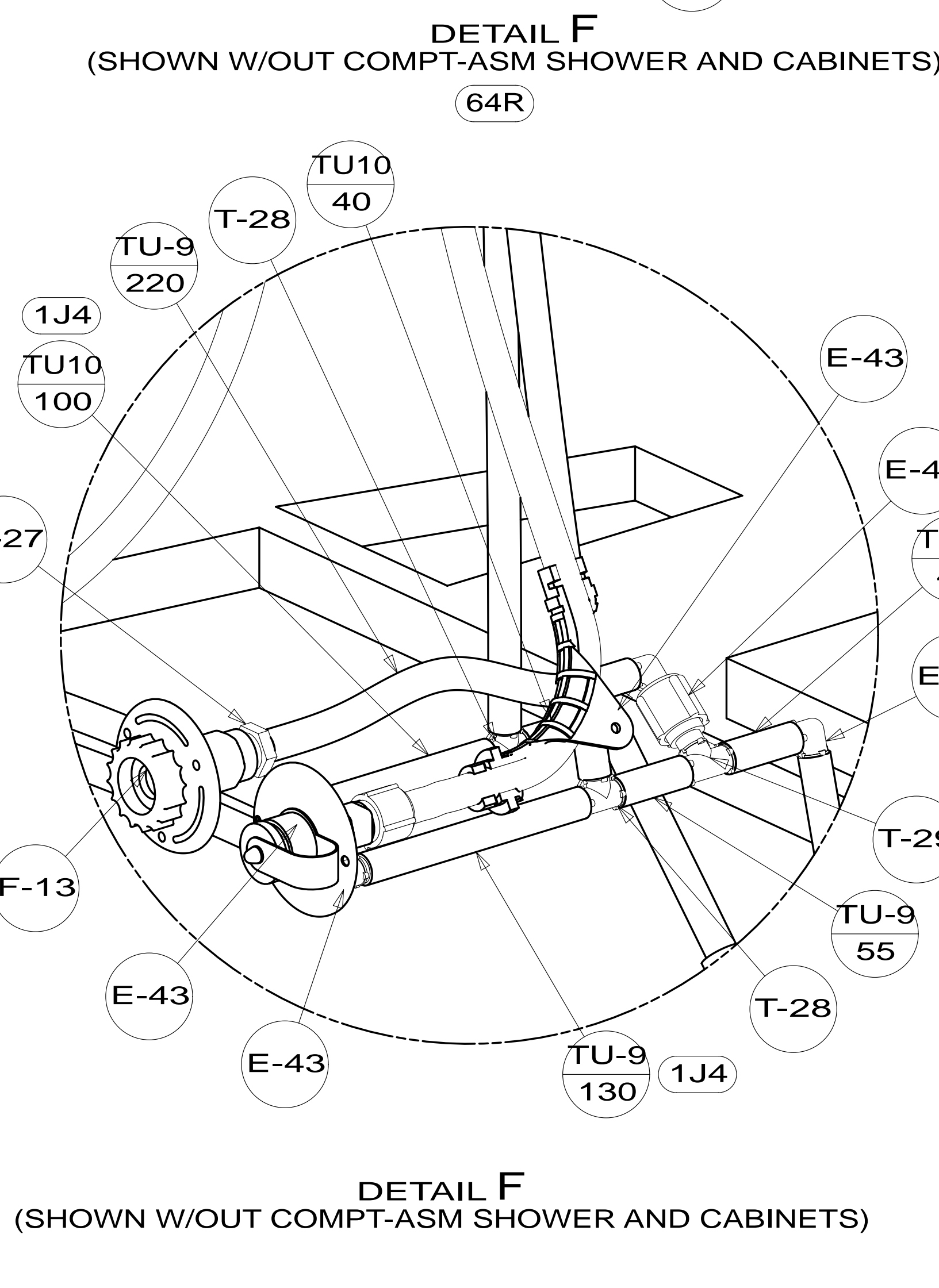
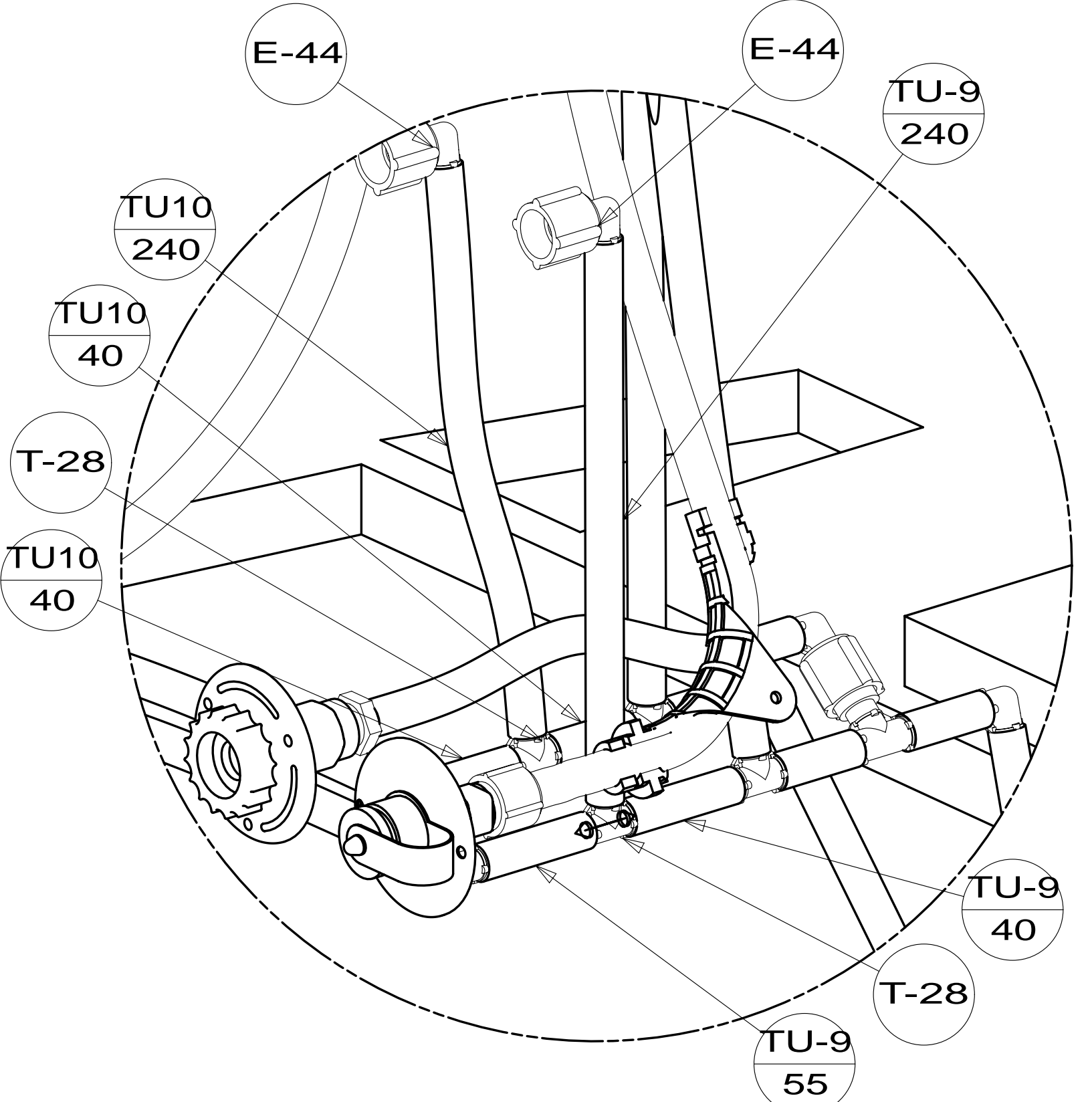
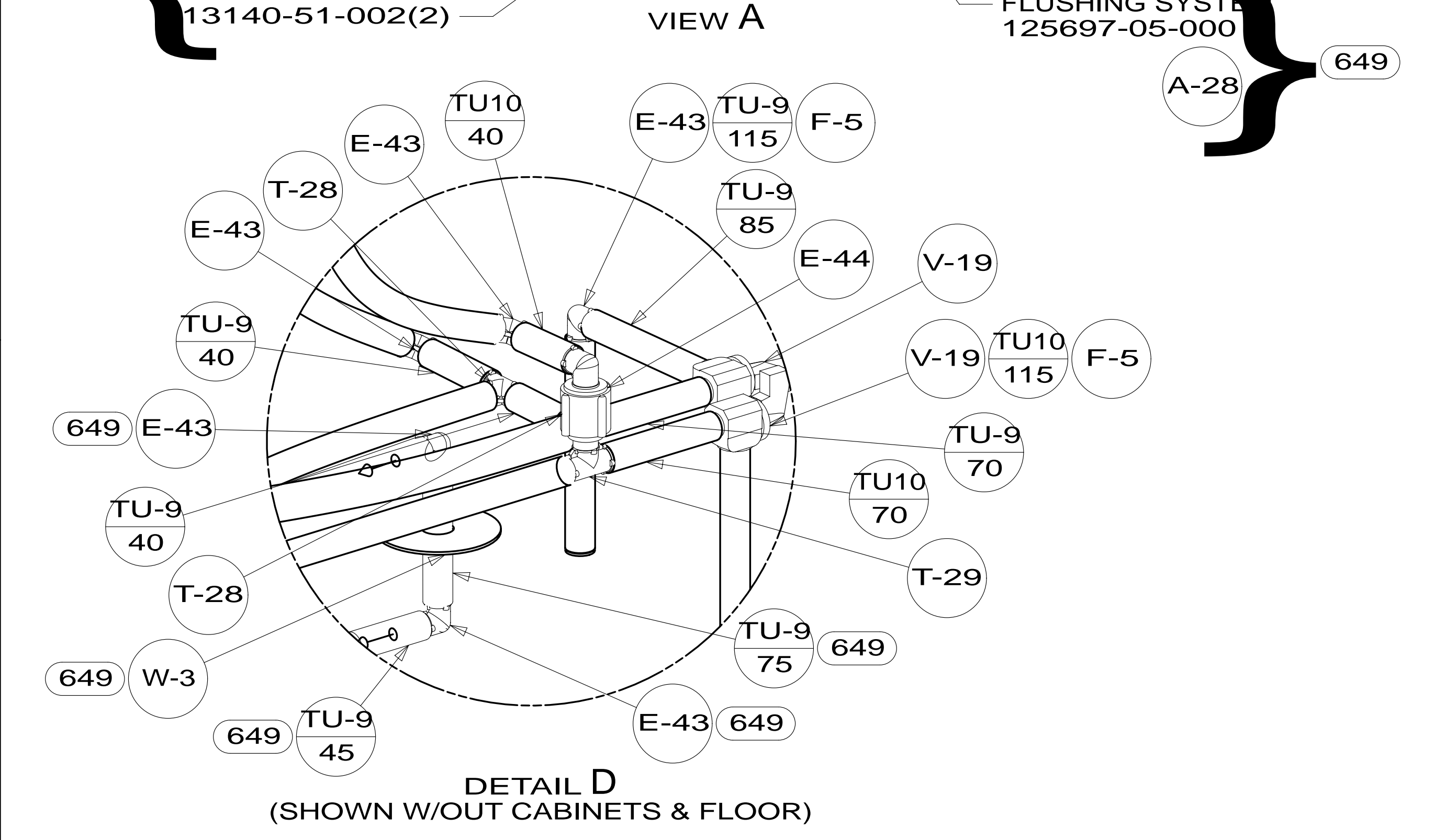
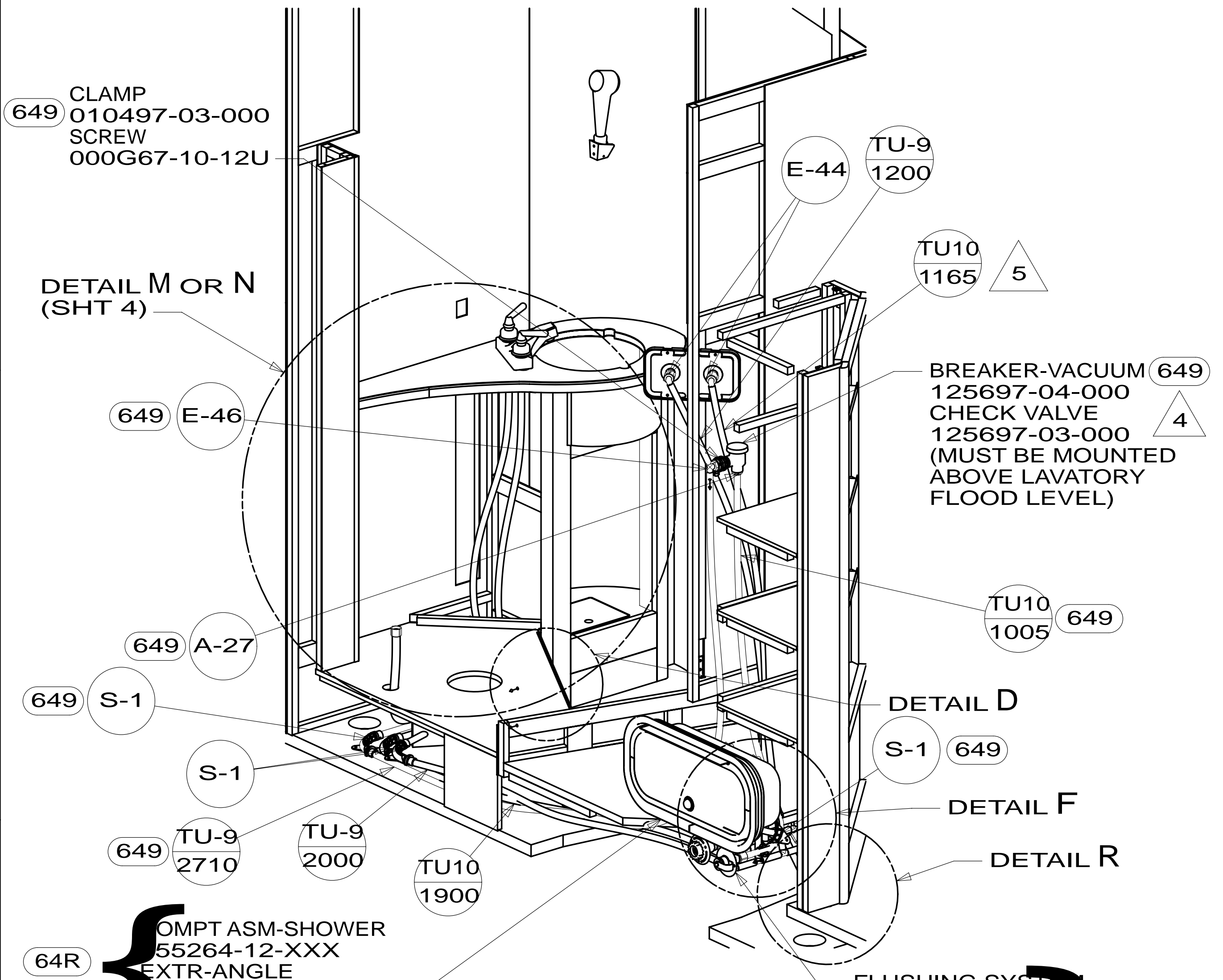
- 649 RENTAL - CANADREAM
- 64R EXTERIOR WASH STATION
- 53Z WTR HTR-6GAL/110/LP/MTR/AUTO
- 1J4 EXT WASH STATION - WITHOUT
- 53F WATER HEATER-ELEC. IGNITION
- 53E WATER SYS WINTERIZATION PKG
- 644 GREAT ALASKAN RENTAL PACKAGE

|                             |                                   |  |
|-----------------------------|-----------------------------------|--|
|                             |                                   | COPYRIGHT 2012<br>WINNEBAGO<br>INDUSTRIES, INC.    |
| DFT-ORIG                    | ORIG. DATE                        |  |
| CHKR                        | ALL DIMENSIONS ARE IN MILLIMETERS |  |
| P.E.                        |                                   |  |
| M.E.                        | FIRST USED                        |  |
| DSNR                        | 12 226Q/QP                        |  |
| UNSPECIFIED TOLERANCES ARE: |                                   |  |
| WHOLE DIM (X)               | : 3                               |  |
| ONE-PLACE (X.X)             | : 1.5                             |  |
| TWO-PLACE (X.XX)            | : 0.50                            |  |
| ANGLE                       | : 1°                              |  |
| THIRD ANGLE PROJECTION      |                                   |  |
| DO NOT SCALE DRAWING        |                                   | REFER TO ES0018 FOR FASTENER TIGHTENING GUIDELINES |
| TITLE: WATER SYSTEM INSTL   |                                   |  |
| SHEET 1 OF 4                | PART NO                           | 178128   |
| REF:                        | 1                                 |  |

FOR WATER CALLOUTS SEE DWG NO 116230-01-000





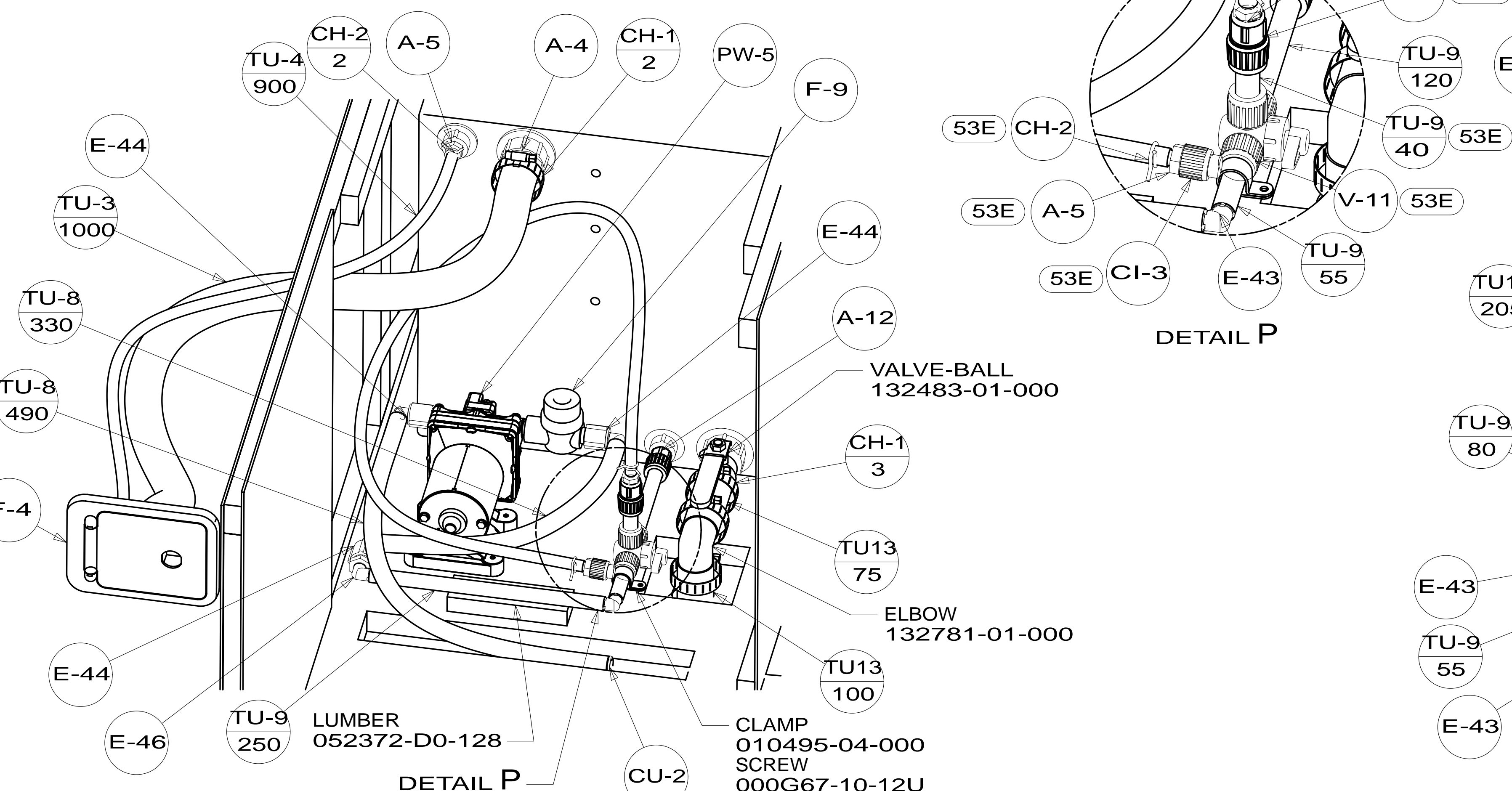
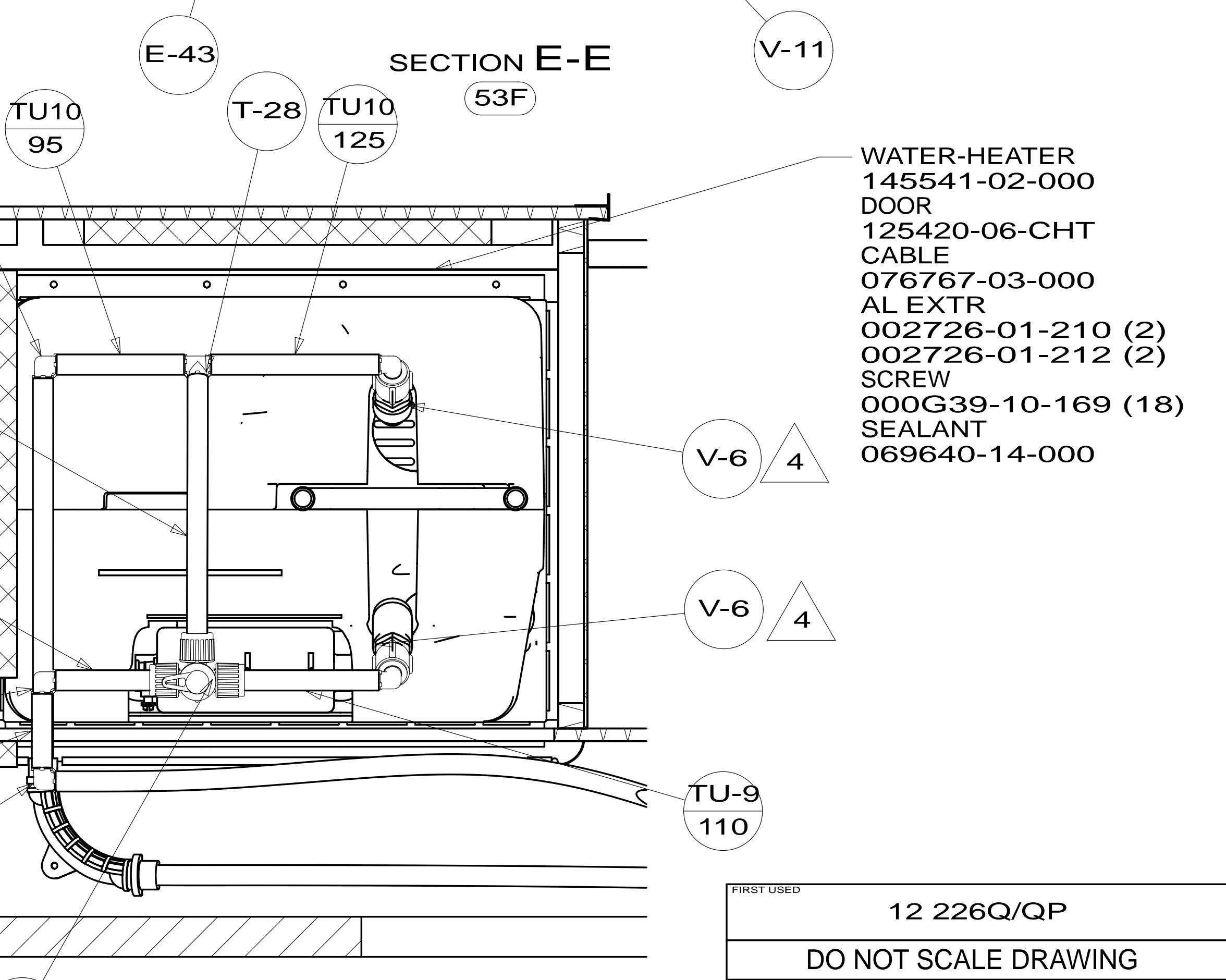
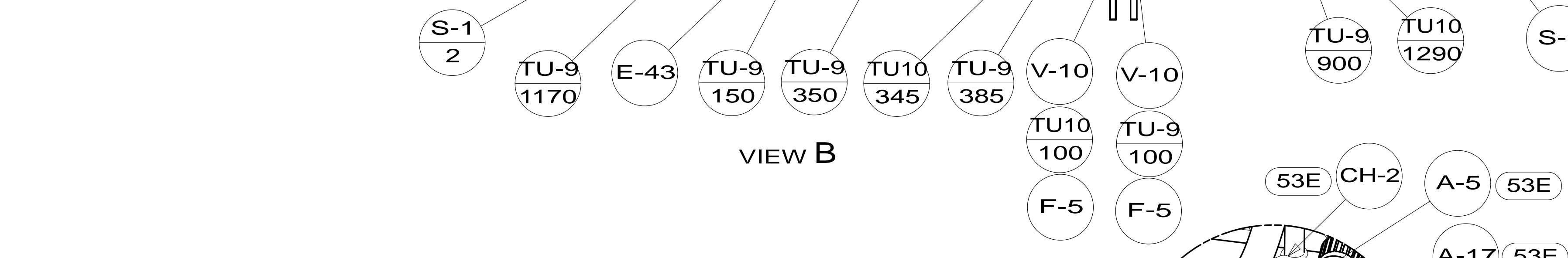
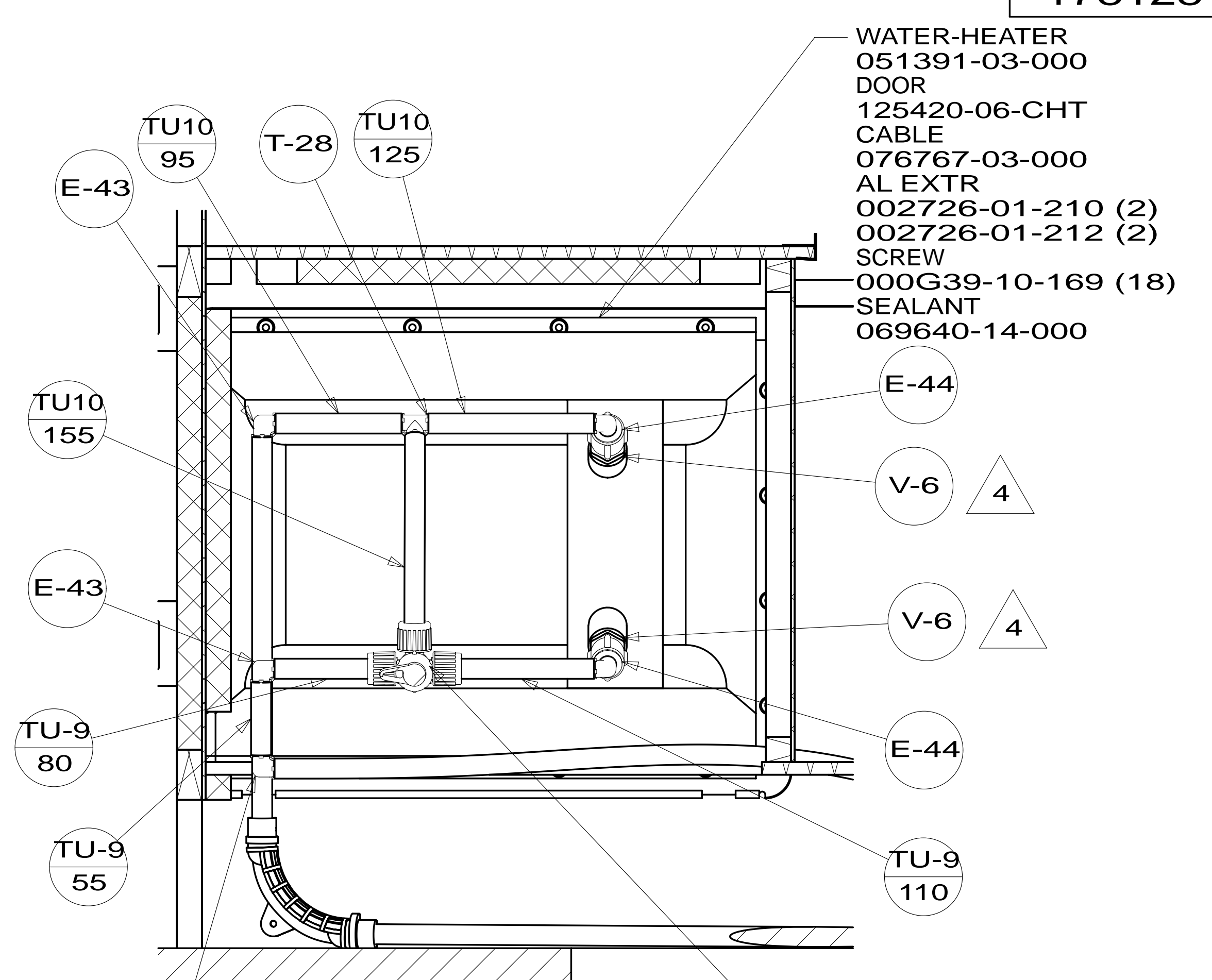
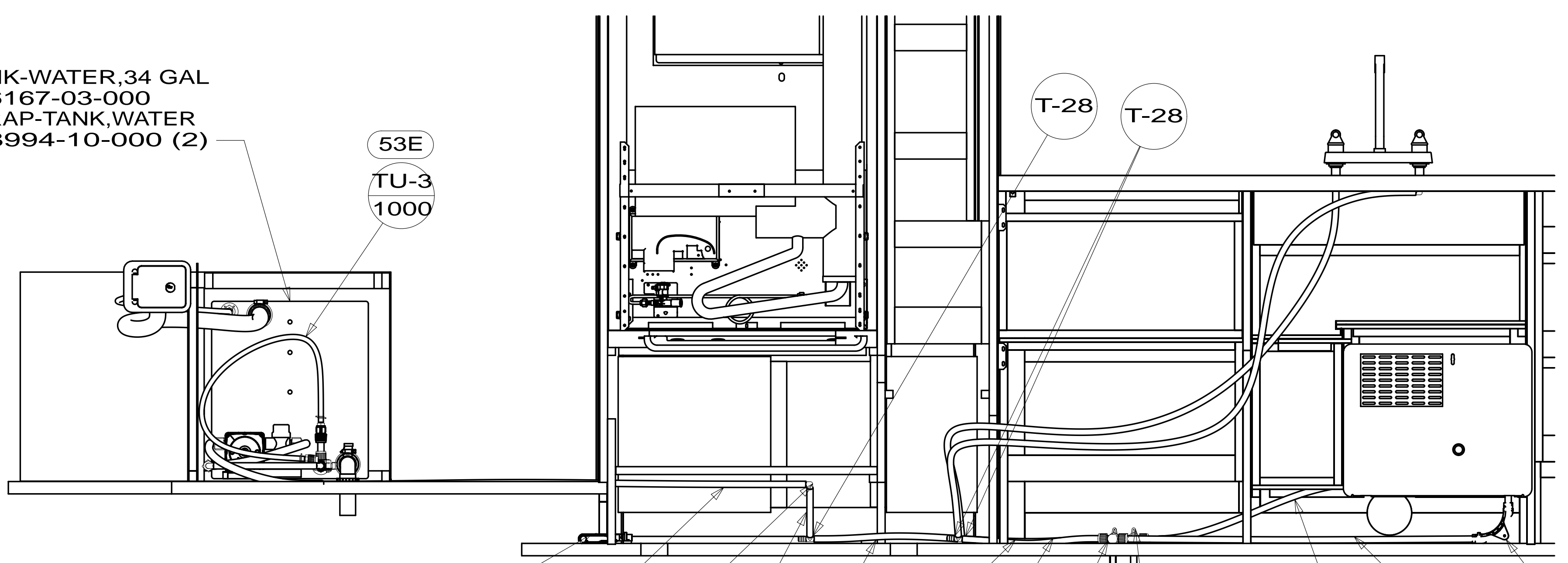


|                      |                    |        |
|----------------------|--------------------|--------|
| FIRST USED           | 12 226Q/QP         |        |
| DO NOT SCALE DRAWING |                    |        |
| TITLE:               | WATER SYSTEM INSTL |        |
| SHEET 2              | PART NO            | 178128 |
|                      | REV                |        |

TANK-WATER,34 GAL  
156167-03-000  
STRAP-TANK,WATER  
118994-10-000 (2)

WATER-HEATER  
051391-03-000  
DOOR  
125420-06-CHT  
CABLE  
076767-03-000  
AL EXTR  
002726-01-210 (2)  
002726-01-212 (2)  
SCREW  
000G39-10-169 (18)  
SEALANT  
069640-14-000

WATER-HEATER  
145541-02-000  
DOOR  
125420-06-CHT  
CABLE  
076767-03-000  
AL EXTR  
002726-01-210 (2)  
002726-01-212 (2)  
SCREW  
000G39-10-169 (18)  
SEALANT  
069640-14-000



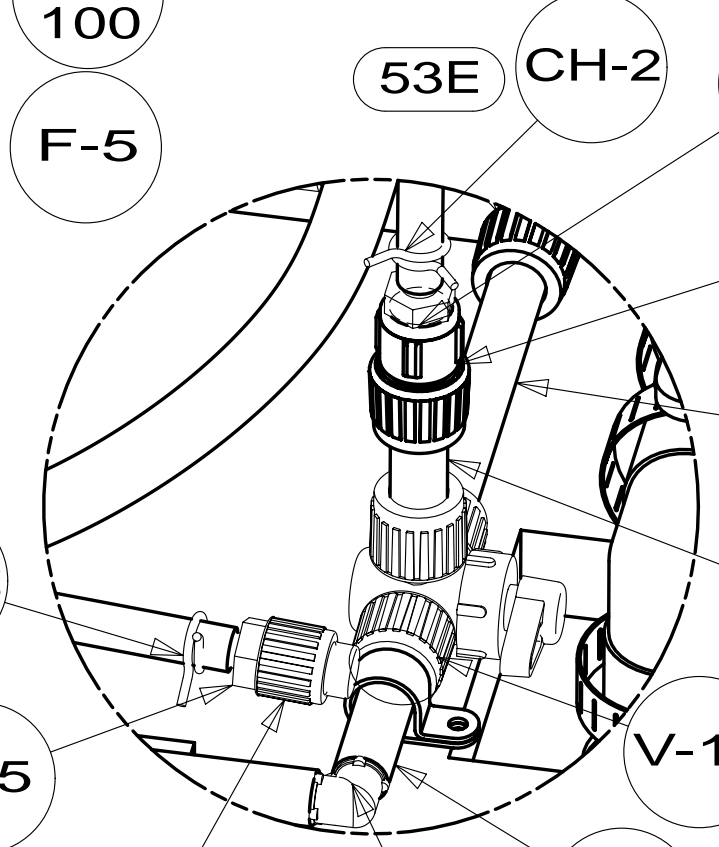
VIEW B

SECTION E-E

SECTION E-E

VIEW C

DETAIL P



LUMBER  
052372-D0-128

CLAMP  
010495-04-000  
SCREW  
000G67-10-12U

VALVE-BALL  
132483-01-000

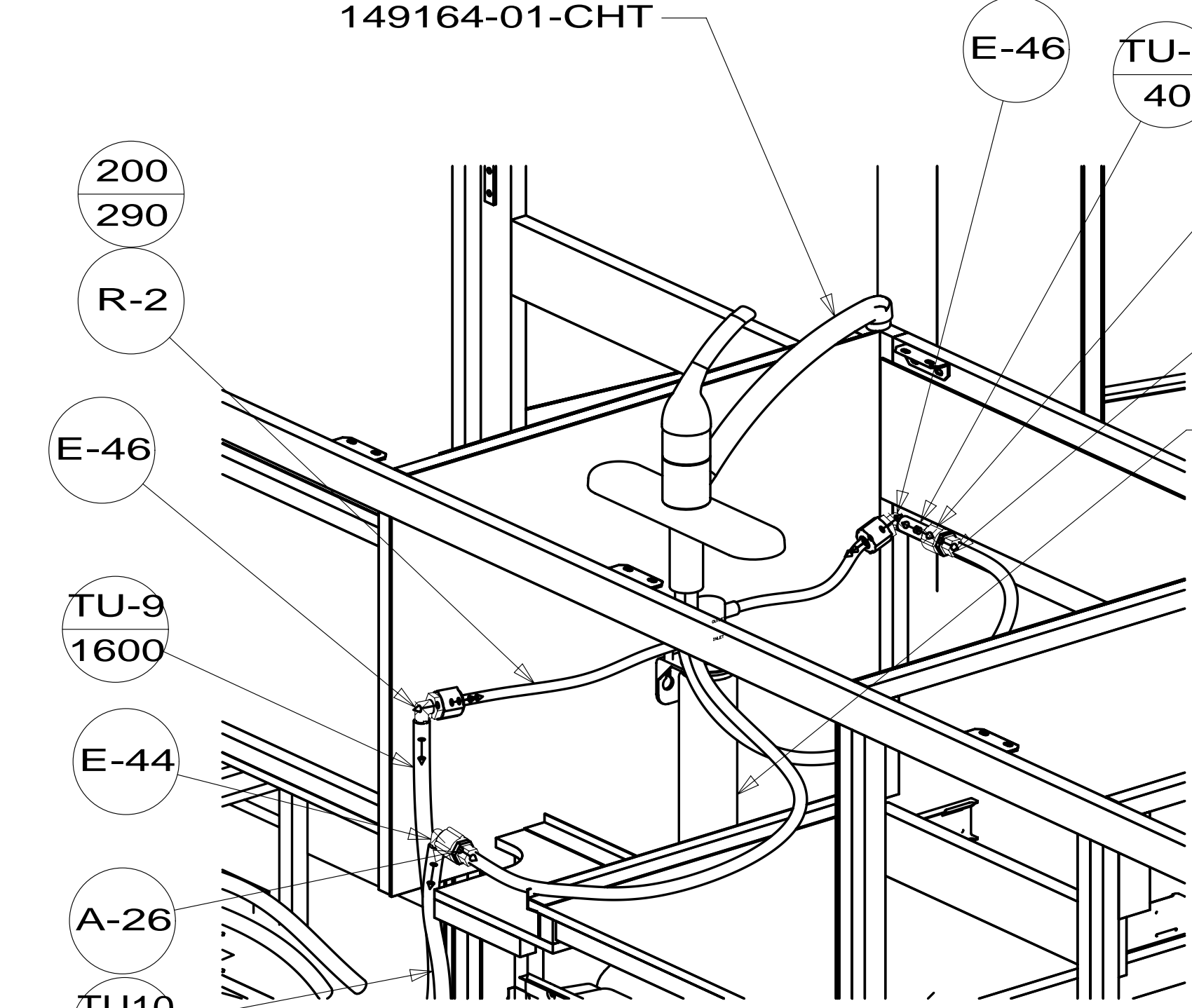
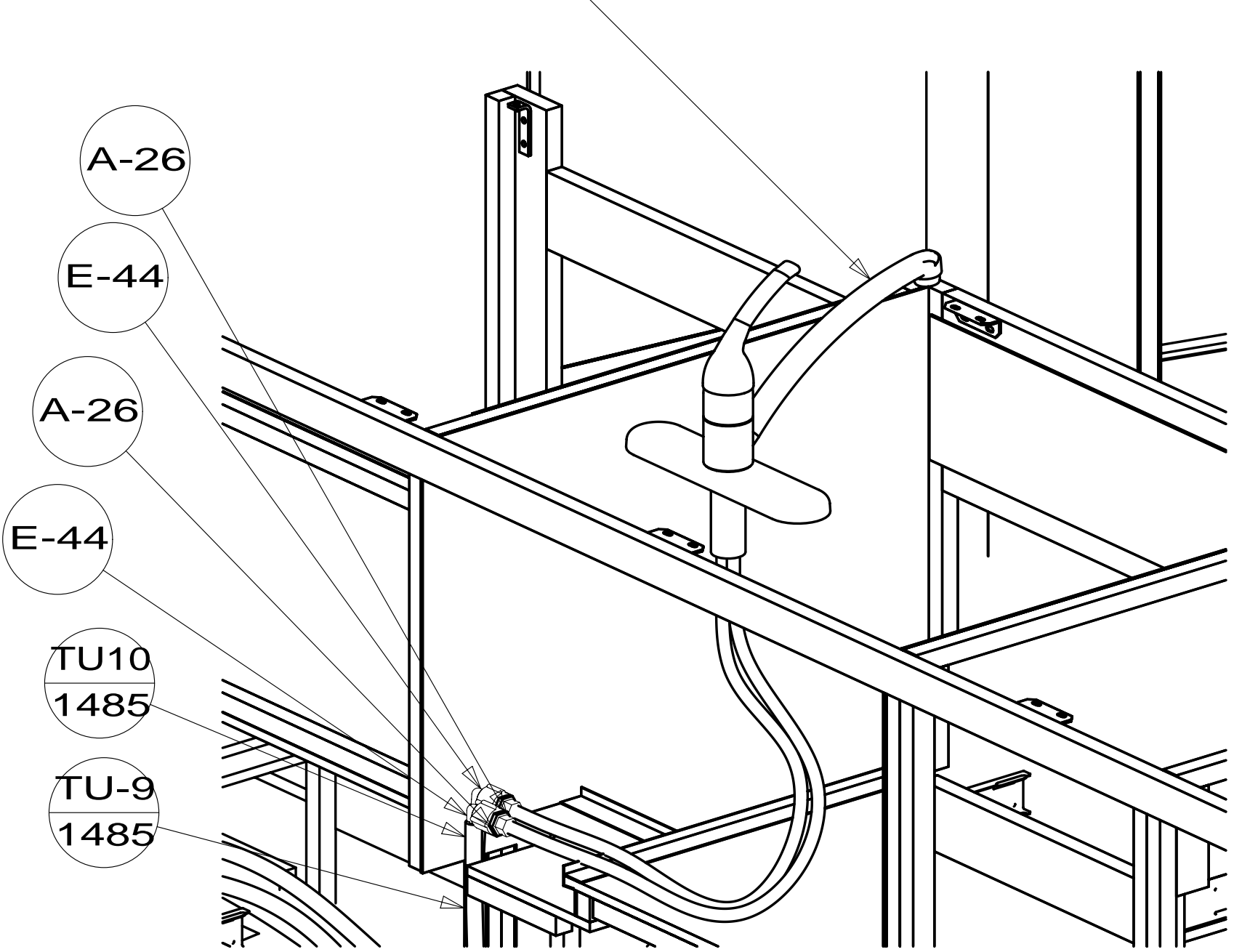
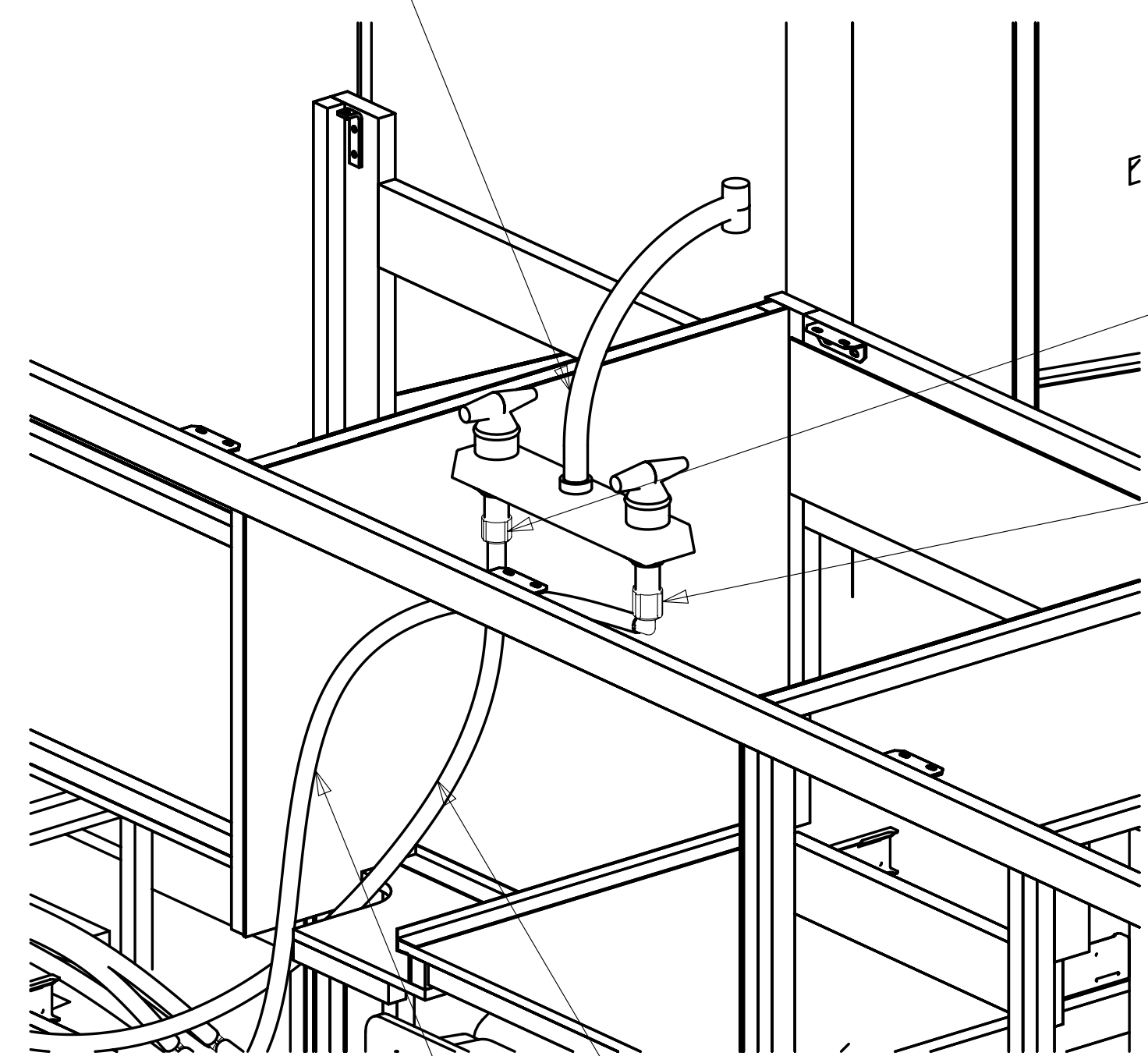
ELBOW  
132781-01-000

|                           |                    |
|---------------------------|--------------------|
| FIRST USED                | 12 226Q/QP         |
| DO NOT SCALE DRAWING      |                    |
| TITLE: WATER SYSTEM INSTL |                    |
| SHEET 3                   | PART NO 178128 REV |

FAUCET-GALLEY  
140117-03-CHT

FAUCET-GALLEY  
149164-01-CHT

FAUCET-GALLEY  
149164-01-CHT



FILTER  
160946-03-000  
SCREW  
000G67-10-12U(2)

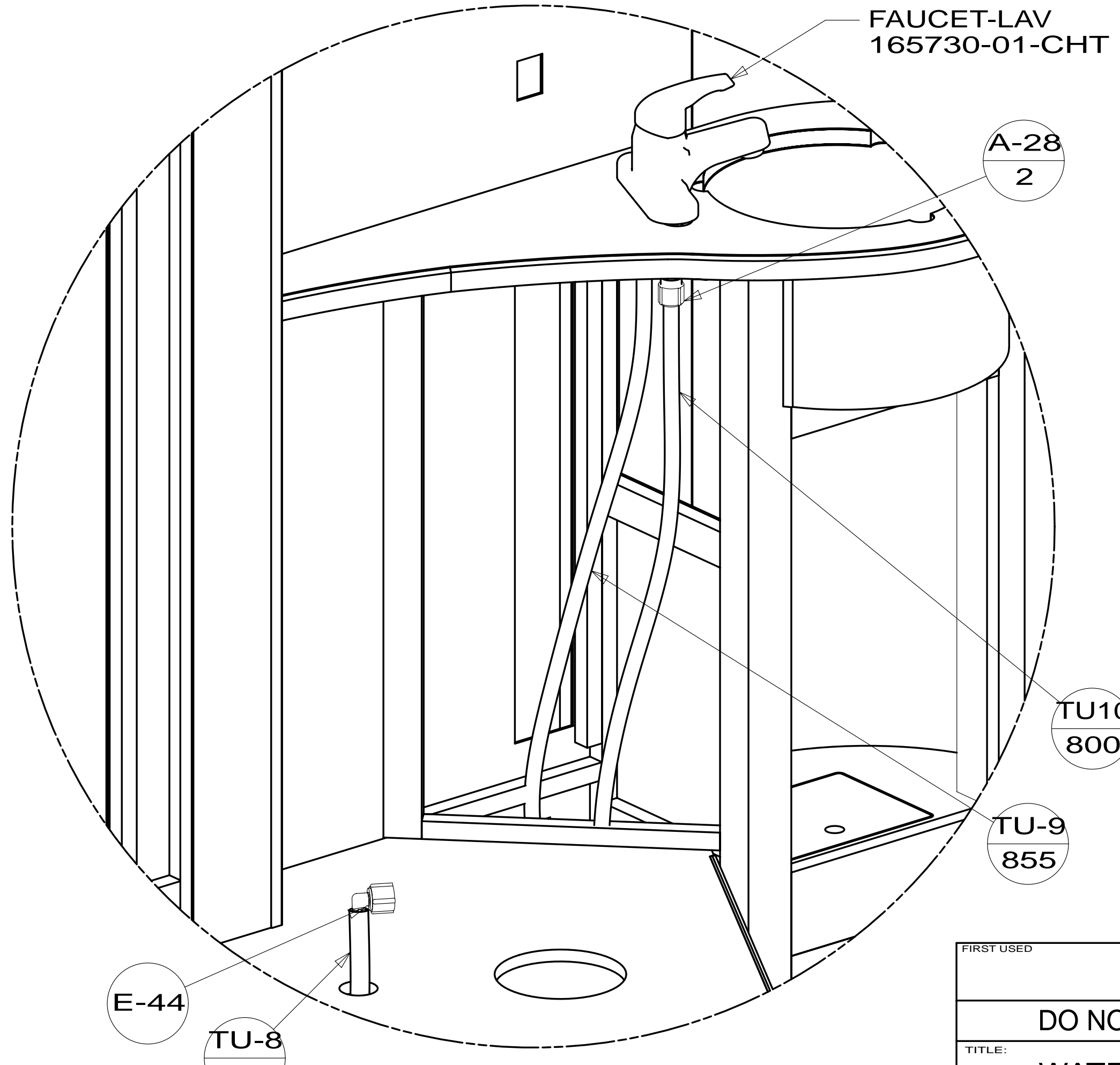
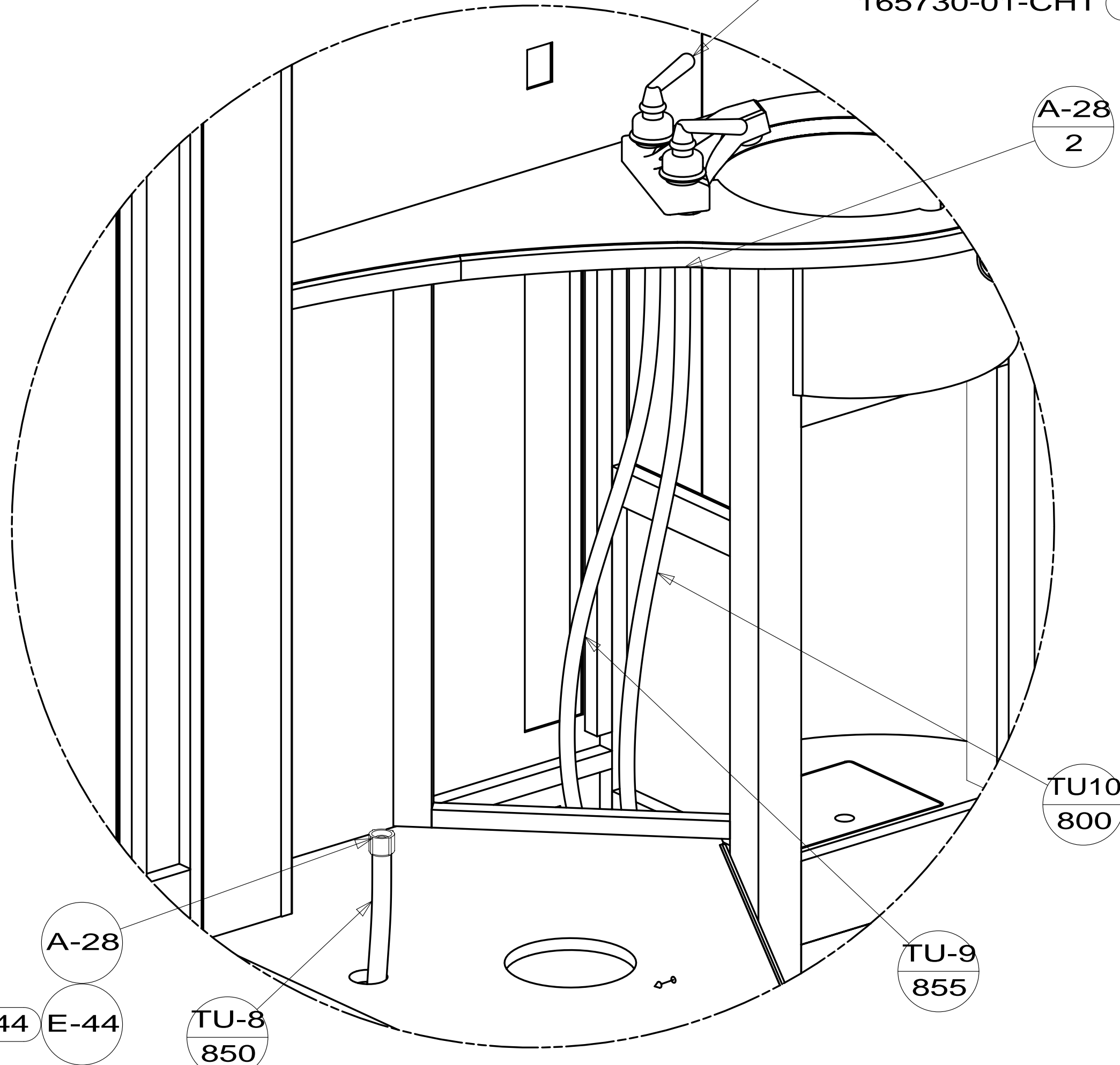
VIEW K  
(SHOWN W/OUT COUNTERTOP)

VIEW K  
(SHOWN W/OUT COUNTERTOP) 644

VIEW L  
(SHOWN W/OUT COUNTERTOP)

FAUCET-LAV  
148886-03-CHT  
165730-01-CHT 644

FAUCET-LAV  
165730-01-CHT



DETAIL M

DETAIL N

|                           |                    |
|---------------------------|--------------------|
| FIRST USED                | 12 226Q/QP         |
| DO NOT SCALE DRAWING      |                    |
| TITLE: WATER SYSTEM INSTL |                    |
| SHEET 4                   | PART NO 178128 REV |