



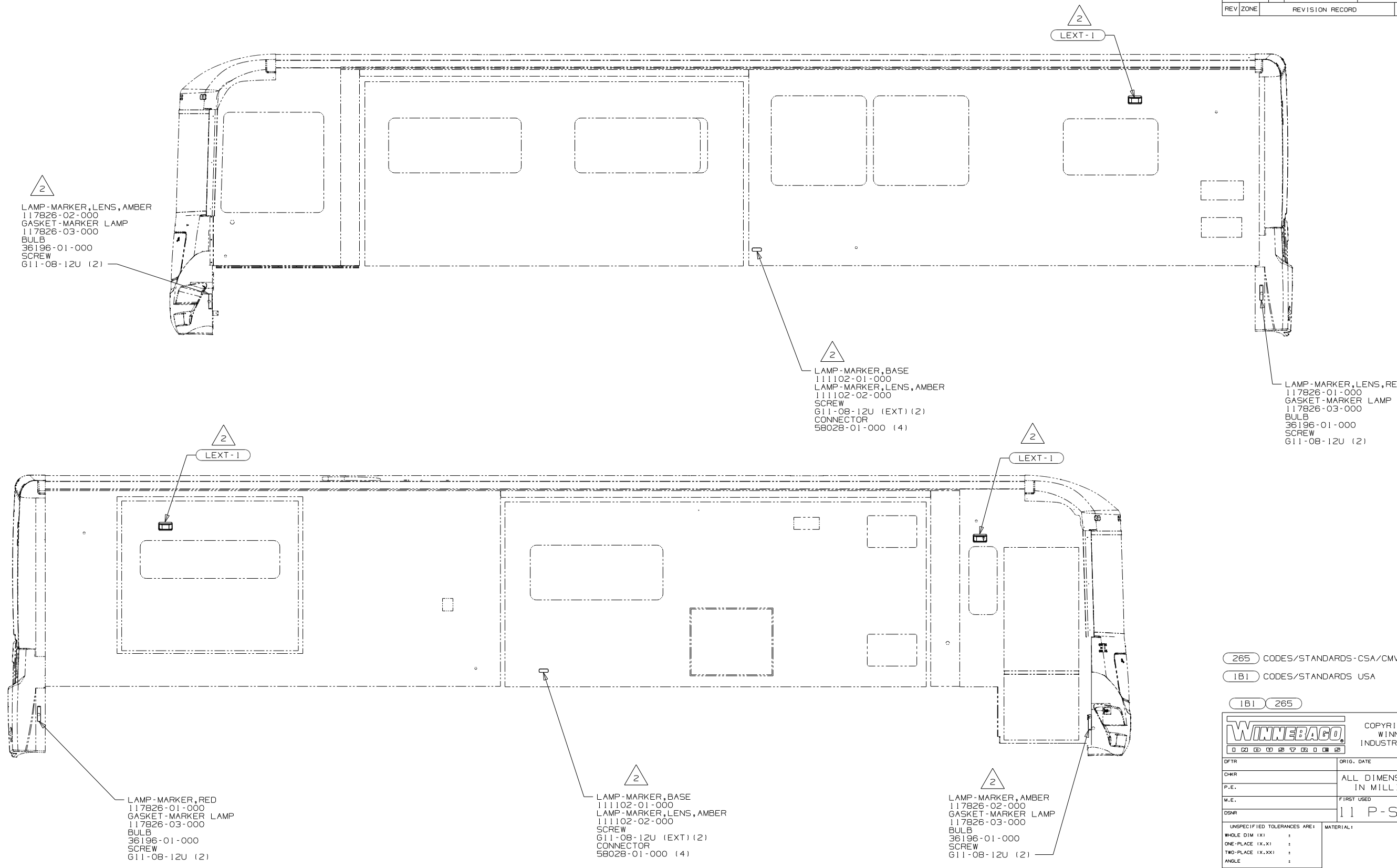
DANGER

Danger of electrical shock, burns or death. Always remove all power sources before attempting any repair, service or diagnostic work. Power can be present from shore power, generator, inverter or battery. All power sources must be disabled and secured before performing any service.



CAUTION

If you lack the skills, tools or equipment to perform diagnostic or repair work leave such work to an authorized Winnebago Industries dealer or other qualified shop.



2
LAMP-MARKER, LENS, AMBER
117826-02-000
GASKET-MARKER LAMP
117826-03-000
BULB
36196-01-000
SCREW
G11-08-12U (2)

2
LAMP-MARKER, BASE
111102-01-000
LAMP-MARKER, LENS, AMBER
111102-02-000
SCREW
G11-08-12U (EXT) (2)
CONNECTOR
58028-01-000 (4)

LAMP-MARKER, LENS, RED
117826-01-000
GASKET-MARKER LAMP
117826-03-000
BULB
36196-01-000
SCREW
G11-08-12U (2)

LAMP-MARKER, RED
117826-01-000
GASKET-MARKER LAMP
117826-03-000
BULB
36196-01-000
SCREW
G11-08-12U (2)

2
LAMP-MARKER, BASE
111102-01-000
LAMP-MARKER, LENS, AMBER
111102-02-000
SCREW
G11-08-12U (EXT) (2)
CONNECTOR
58028-01-000 (4)

2
LAMP-MARKER, AMBER
117826-02-000
GASKET-MARKER LAMP
117826-03-000
BULB
36196-01-000
SCREW
G11-08-12U (2)

2. REMOVE AND RE-INSTALL AFTER PAINT.
1. INSTALL AFTER PAINT.

FOR ELECTRICAL TORQUE SPECIFICATIONS SEE DWG NO. 128783-01-000

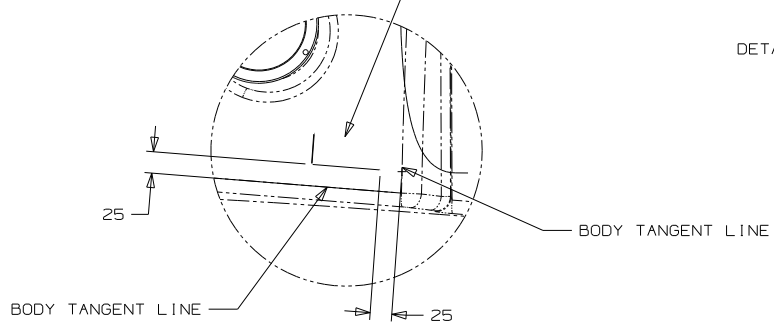
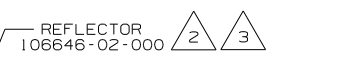
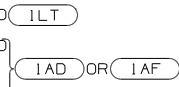
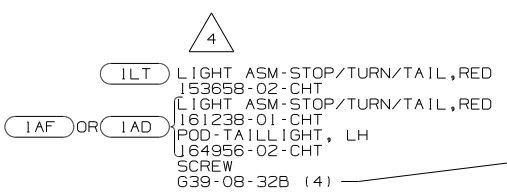
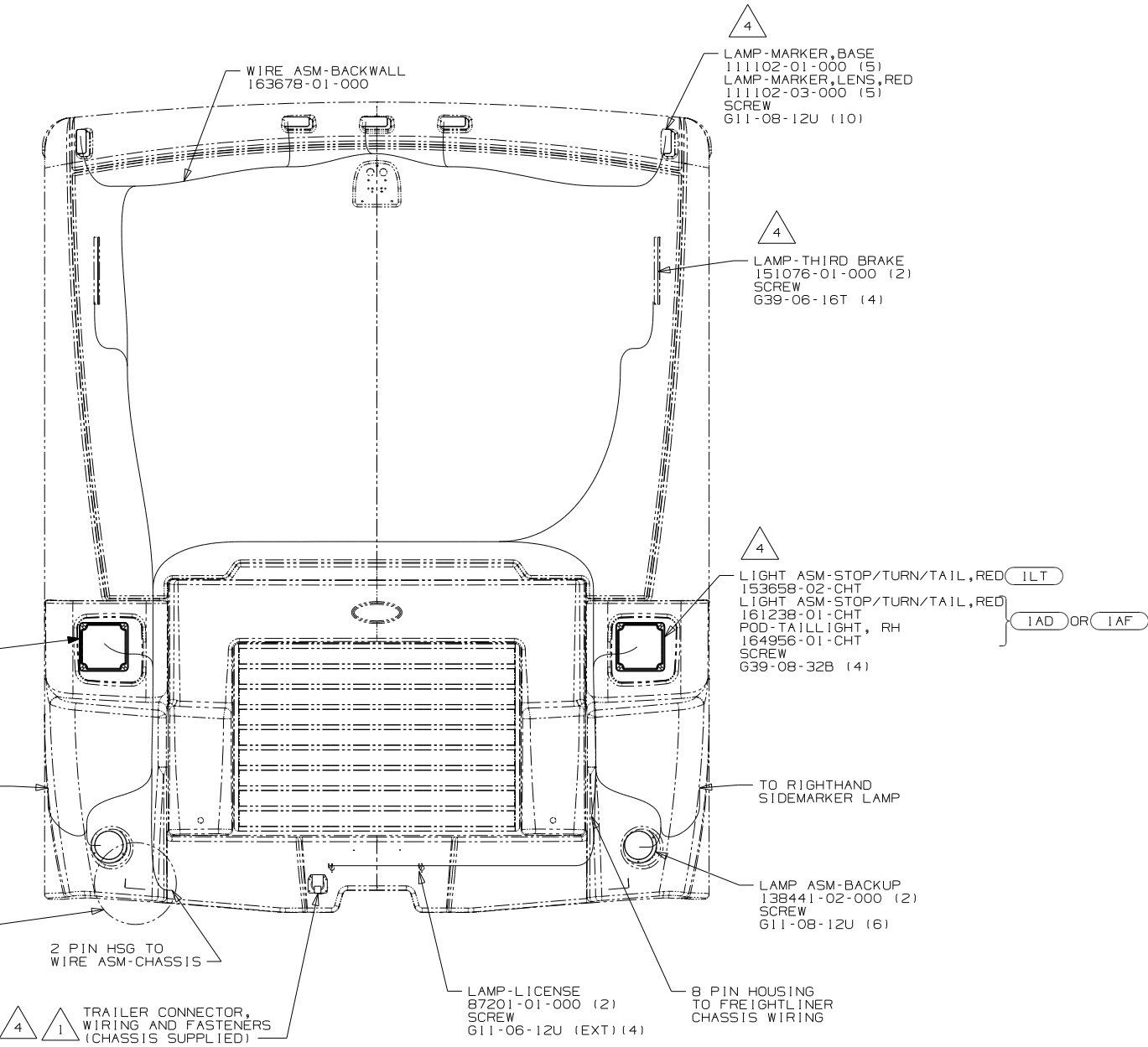
X-X FOR ELECTRICAL CALLOUTS SEE DWG NO. 121339-01-000

265 CODES/STANDARDS-CSA/CMVSS
1B1 CODES/STANDARDS USA
1B1 265



DFTR	ORIG. DATE
CHKR	ALL DIMENSIONS ARE IN MILLIMETERS
P.E.	
M.E.	FIRST USED
DSNR	11 P-SERIES
UNSPECIFIED TOLERANCES ARE:	MATERIAL:
HOLE DIM (X) :	
ONE-PLACE (X.X) :	
TWO-PLACE (X.XX) :	
ANGLE :	
THIRD ANGLE PROJECTION	

DO NOT SCALE DRAWING
TITLE: WIRING INSTL-EXTERIOR LAMPS
SHEET 1 of 4 PART NO 176848 REV
REF: 1 12/7/2010



DETAIL B
(TYP BOTH SIDES)
(P-40 UNITS ONLY)

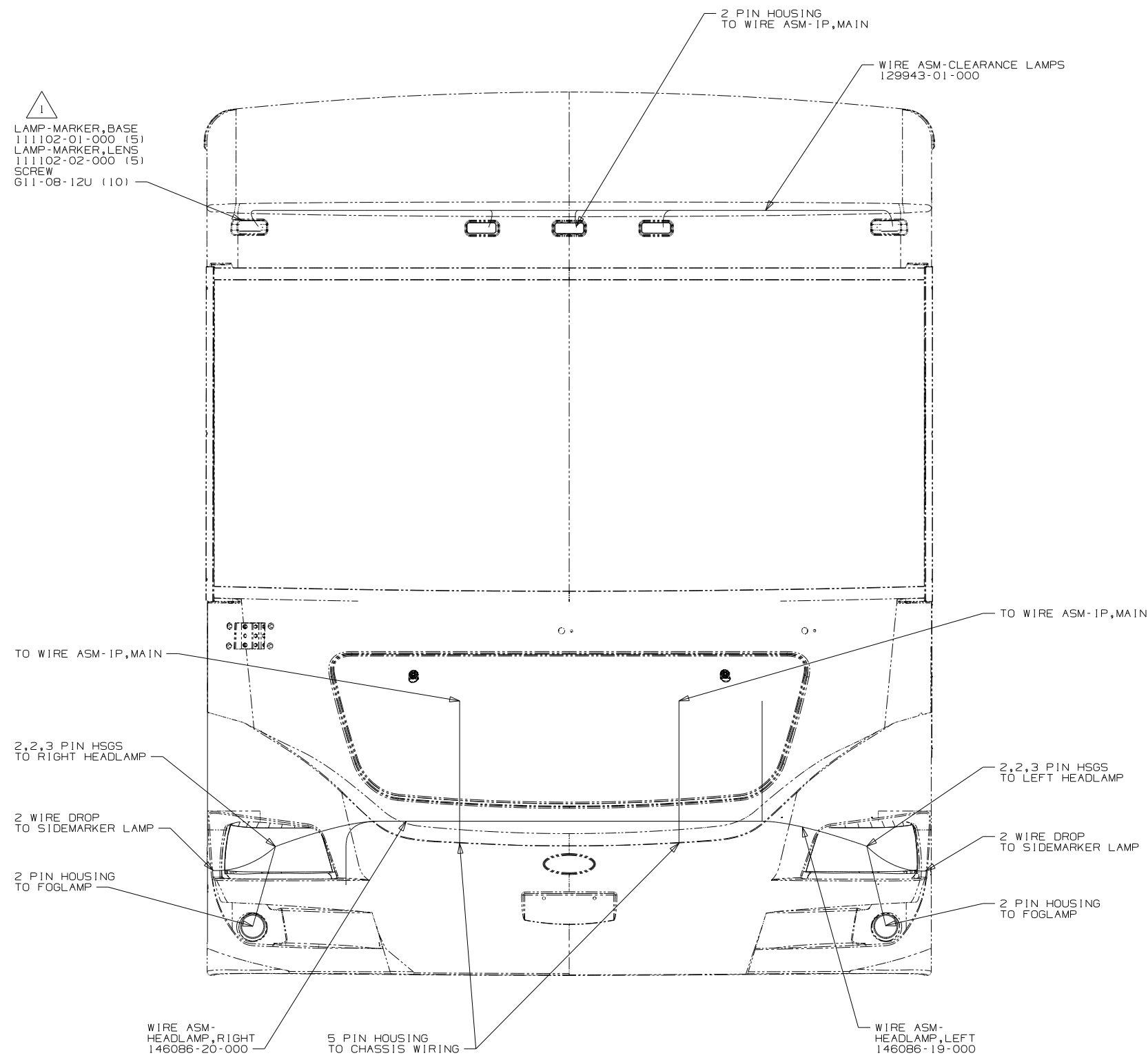
- NOTES:
- 4 REMOVE AND RE-INSTALL AFTER PAINT. INSTALL AFTER PAINT.
 - 3 INSTALL AFTER PAINT.
 - 2 REMOVE PAPER BACKING FROM REFLECTOR AND PREP APPLICATION SURFACE WITH ISOPROPYL ALCOHOL WIPE BEFORE INSTALLATION.
 - 1 CONNECTOR-PLUG, TRAILER (146246-01-000) TO BE SUPPLIED IN COACH.

- ILT FRTL 27,910 340 6.7L 6 SPEED
- IAF FRTL 32,350 360HP 8.3L 6-SPD
- IAD FRTL 31,000 360HP 8.3L 6-SPD
- 265 CODES/STANDARDS-CSA/CMVSS
- 1B1 CODES/STANDARDS USA

FIRST USED	
11 P-SERIES	
DO NOT SCALE DRAWING	
TITLE: WIRING INSTL-EXTERIOR LAMPS	
SHEET 2	PART NO 176848 REV

FOR ELECTRICAL
TORQUE
SPECIFICATIONS
SEE DWG NO.
128783-01-000

(X-X)
FOR ELECTRICAL
CALLOUTS
SEE DWG NO.
121339-01-000



1
 LAMP-MARKER, BASE
 111102-01-000 (5)
 LAMP-MARKER, LENS
 111102-02-000 (5)
 SCREW
 611-08-12U (10)

TO WIRE ASM-IP, MAIN
 2,2,3 PIN HSGS
 TO RIGHT HEADLAMP
 2 WIRE DROP
 TO SIDEMARKER LAMP
 2 PIN HOUSING
 TO FOGLEAMP

WIRE ASM-
 HEADLAMP, RIGHT
 146086-20-000
 5 PIN HOUSING
 TO CHASSIS WIRING

TO WIRE ASM-IP, MAIN
 2,2,3 PIN HSGS
 TO LEFT HEADLAMP
 2 WIRE DROP
 TO SIDEMARKER LAMP
 2 PIN HOUSING
 TO FOGLEAMP

WIRE ASM-
 HEADLAMP, LEFT
 146086-19-000

265 CODES/STANDARDS-CSA/CMVSS

1B1 CODES/STANDARDS USA

1B1 265

FIRST USED
 11 P-SERIES

DO NOT SCALE DRAWING

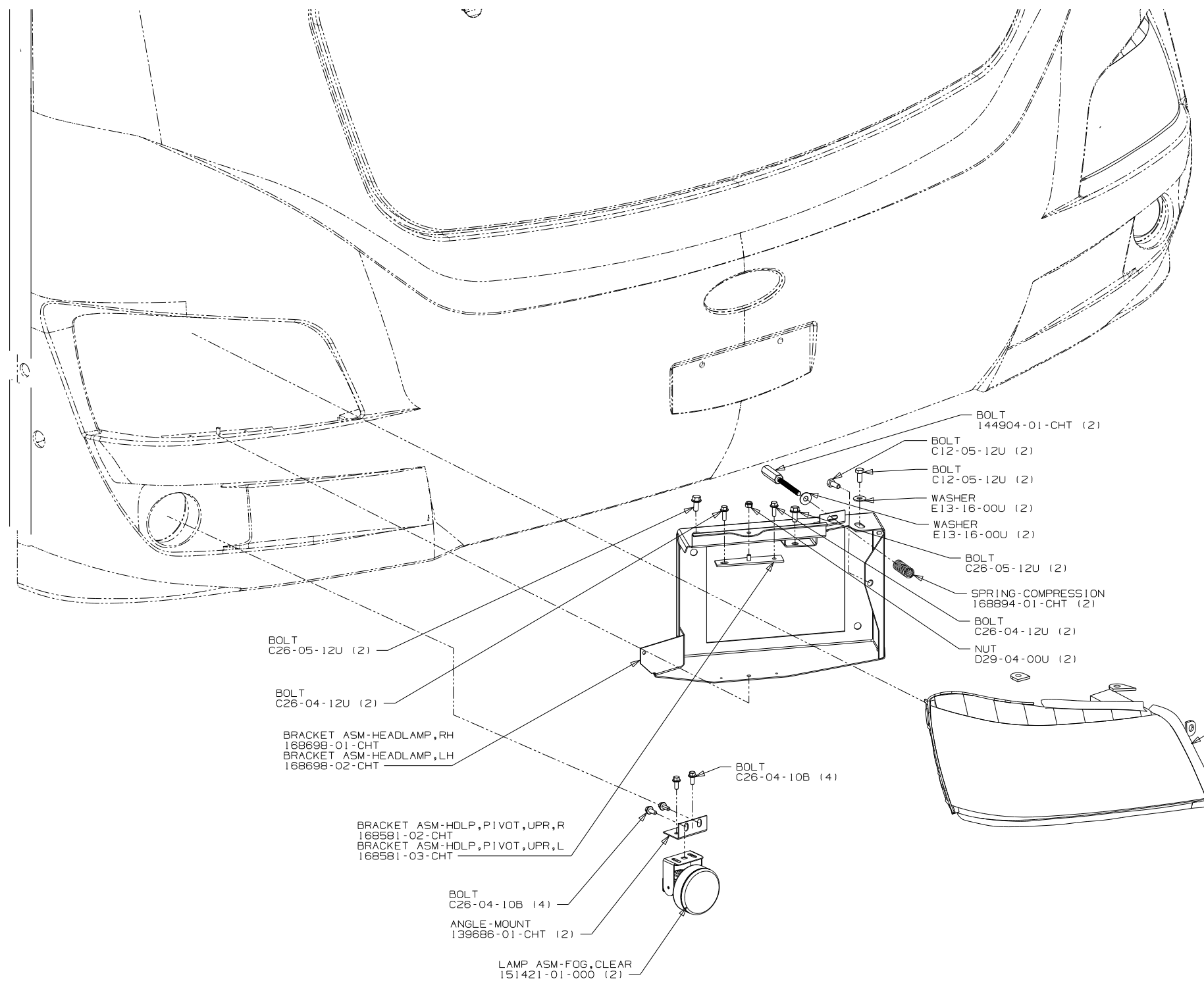
TITLE:
 WIRING INSTL-EXTERIOR LAMPS

SHEET 3 PART NO 176848 REV

1. REMOVE AND RE-INSTALL AFTER PAINT

FOR ELECTRICAL
 TORQUE
 SPECIFICATIONS
 SEE DWG NO.
 128783-01-000

(X-X)
 FOR
 ELECTRICAL
 CALLOUTS
 SEE DWG NO.
 121339-01-000



- BOLT 144904-01-CHT (2)
- BOLT C12-05-12U (2)
- BOLT C12-05-12U (2)
- WASHER E13-16-00U (2)
- WASHER E13-16-00U (2)
- BOLT C26-05-12U (2)
- SPRING-COMPRESSION 168894-01-CHT (2)
- BOLT C26-04-12U (2)
- NUT D29-04-00U (2)
- BOLT C26-05-12U (2)
- BOLT C26-04-12U (2)
- NUT D29-04-00U (2)
- HEADLAMP ASM-W PARK&TURN RH 154209-01-000
- HEADLAMP ASM-W PARK&TURN LH 154209-02-000
- BOLT C26-04-10B (4)
- BRACKET ASM-HDLP,PIVOT,UPR,R 168581-02-CHT
- BRACKET ASM-HDLP,PIVOT,UPR,L 168581-03-CHT
- BOLT C26-04-10B (4)
- ANGLE-MOUNT 139686-01-CHT (2)
- LAMP ASM-FOG,CLEAR 151421-01-000 (2)
- BRACKET ASM-HEADLAMP,RH 168698-01-CHT
- BRACKET ASM-HEADLAMP,LH 168698-02-CHT
- BOLT C26-05-12U (2)
- BOLT C26-04-12U (2)

265 CODES/STANDARDS-CSA/CMVSS

1B1 CODES/STANDARDS USA

1B1 265

FIRST USED 11 P-SERIES

DO NOT SCALE DRAWING

TITLE: WIRING INSTL-EXTERIOR LAMPS

SHEET 4 PART NO 176848 REV

FOR ELECTRICAL TORQUE SPECIFICATIONS SEE DWG NO. 128783-01-000

FOR ELECTRICAL CALLOUTS SEE DWG NO. 121339-01-000