



DANGER

Danger of electrical shock, burns or death. Always remove all power sources before attempting any repair, service or diagnostic work. Power can be present from shore power, generator, inverter or battery. All power sources must be disabled and secured before performing any service.

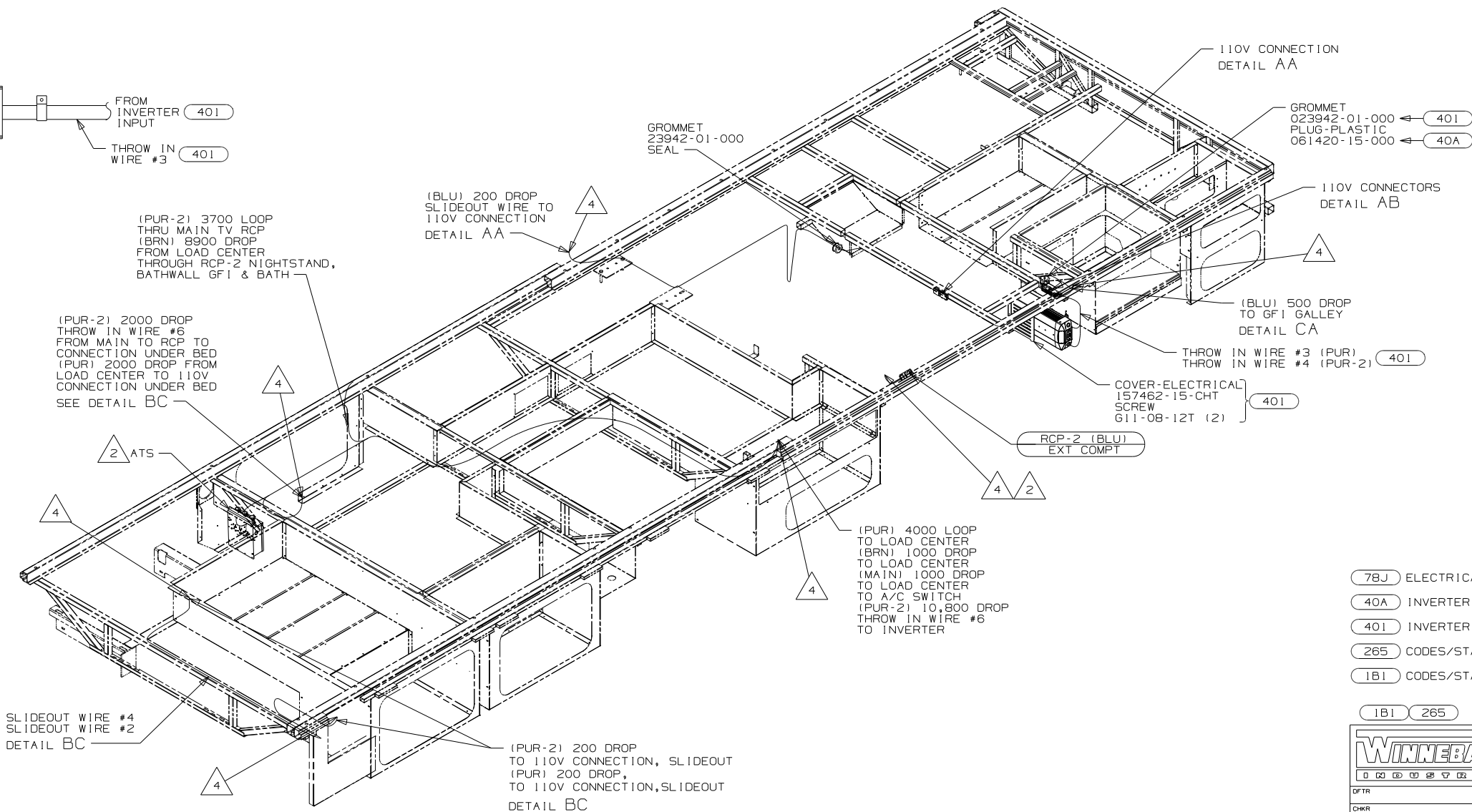
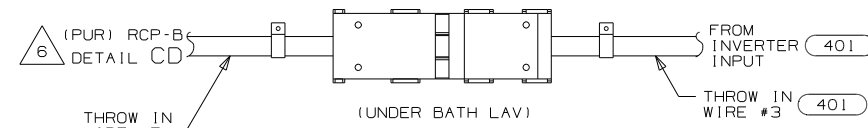
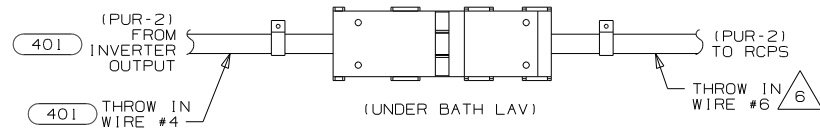
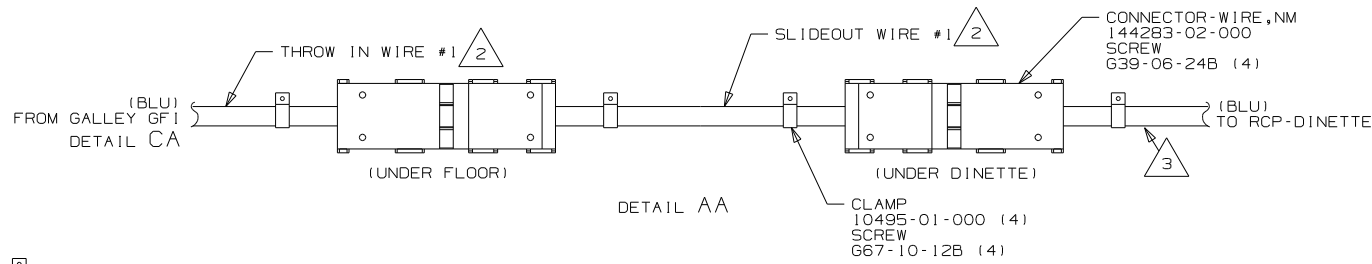


CAUTION

If you lack the skills, tools or equipment to perform diagnostic or repair work leave such work to an authorized Winnebago Industries dealer or other qualified shop.

DRAWING NO.	FEATURE
176708-12	(1B1) (78J)
176708-16	(265) (78J)

RELEASE	REV DATE	DWG NO	176708
REV ZONE	REVISION RECORD	DATE	DFTR-ORIG



- (78J) ELECTRICAL SYSTEM-50 AMP
- (40A) INVERTER-DC/AC WITHOUT
- (401) INVERTER-DC/AC, 1000 WATT
- (265) CODES/STANDARDS-CSA/CMVSS
- (1B1) CODES/STANDARDS USA

- △ 6 WITHOUT INVERTER THROW IN #6 (PUR-2) CONNECTS TO (PUR) FROM LOAD CENTER.
- 5. ALL WIRES TO BE SECURED WITH CLAMP 10495 OR 10497 OR WIRE TIE 8343 OR 108046 EVERY 600MM, USE SCREW G67-XX-XXX OR G56-XX-XXX AS APPROPRIATE FOR INSTALLATION.
- △ 4 WIRE ROUTED THROUGH FLOOR IN THIS AREA.
- △ 3 WIRE IN SIDEWALL.
- △ 2 SEE LOAD CENTER/ATS FOR ADDITIONAL INFORMATION.
- 1. WIRES ROUTED UNDER FLOOR.

NOTES:

FOR ELECTRICAL TORQUE SPECIFICATIONS SEE DWG NO. 128783-01-000

FOR ELECTRICAL CALLOUTS SEE DWG NO. 121339-01-000

WINNEBAGO INDUSTRIES, INC. COPYRIGHT 2010

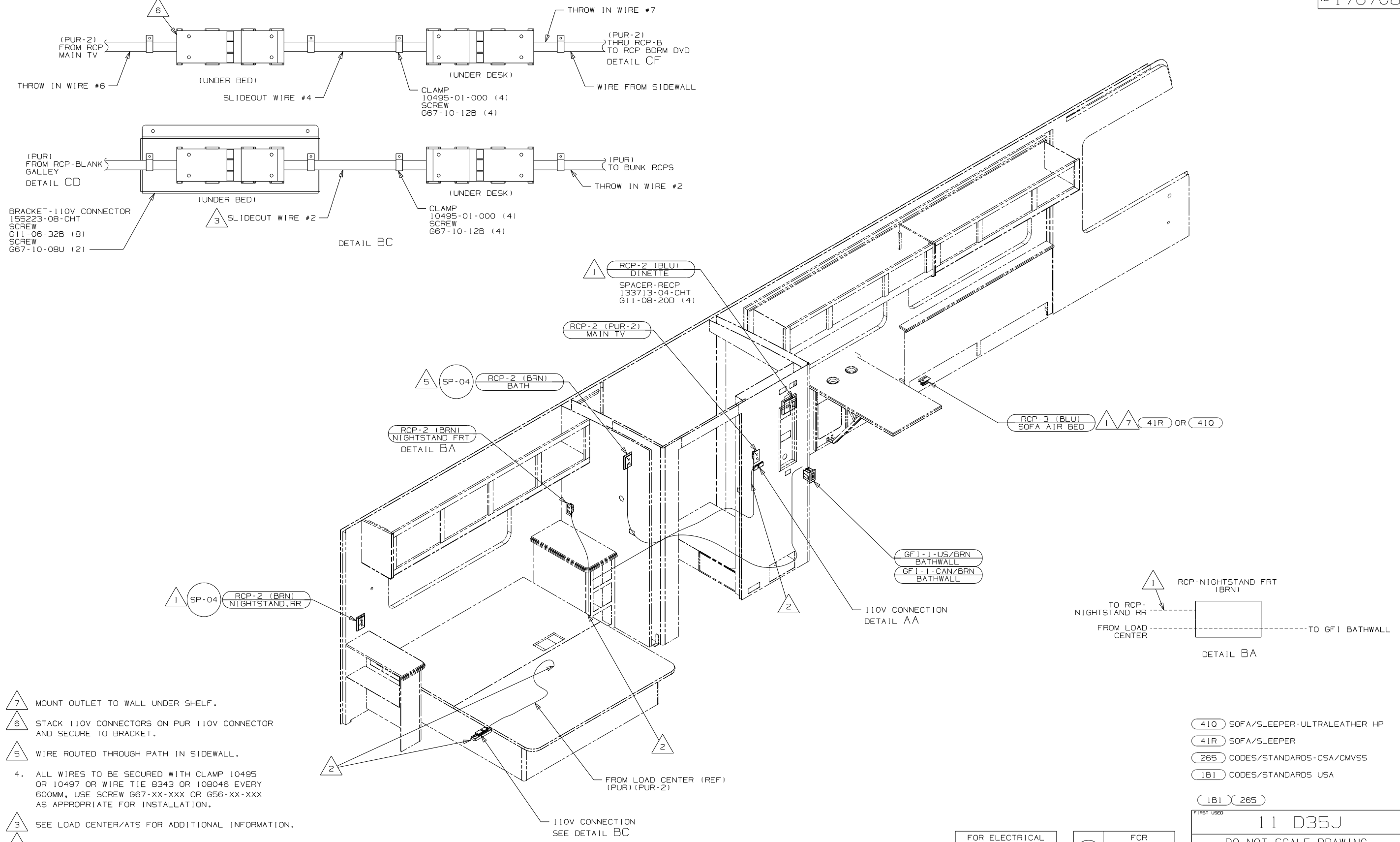
DFTR	ORIG. DATE
CHKR	ALL DIMENSIONS ARE IN MILLIMETERS
P.E.	FIRST USED
M.E.	11 D35J
DSNR	
UNSPECIFIED TOLERANCES ARE:	MATERIAL:
WHOLE DIM (X) : 3	
ONE-PLACE (X.X) : 1.5	
TWO-PLACE (X.XX) : 0.50	
ANGLE : 1°	
THIRD ANGLE PROJECTION	

DO NOT SCALE DRAWING

TITLE: WIRING INSTL-BODY, 110V

SHEET 1 of 3 PART NO 176708 REV

REF: 15/12/2010



- NOTES:
- 7 MOUNT OUTLET TO WALL UNDER SHELF.
 - 6 STACK 110V CONNECTORS ON PUR 110V CONNECTOR AND SECURE TO BRACKET.
 - 5 WIRE ROUTED THROUGH PATH IN SIDEWALL.
 - 4. ALL WIRES TO BE SECURED WITH CLAMP 10495 OR 10497 OR WIRE TIE 8343 OR 108046 EVERY 600MM, USE SCREW G67-XX-XXX OR G56-XX-XXX AS APPROPRIATE FOR INSTALLATION.
 - 3 SEE LOAD CENTER/ATS FOR ADDITIONAL INFORMATION.
 - 2 WIRE ROUTES THRU FLOOR IN THIS AREA.
 - 1 WIRE ROUTED IN SIDEWALL

- 41Q SOFA/SLEEPER-ULTRALEATHER HP
- 41R SOFA/SLEEPER
- 265 CODES/STANDARDS-CSA/CMVSS
- 1B1 CODES/STANDARDS USA

FIRST USED	11 D35J
TITLE	DO NOT SCALE DRAWING
	WIRING INSTL-BODY, 110V
SHEET 2	PART NO 176708 REV

FOR ELECTRICAL TORQUE SPECIFICATIONS SEE DWG NO. 128783-01-000

FOR ELECTRICAL CALLOUTS SEE DWG NO. 121339-01-000

8

7

6

5

4

3

2

1

DWG NO 176708

D

D

C

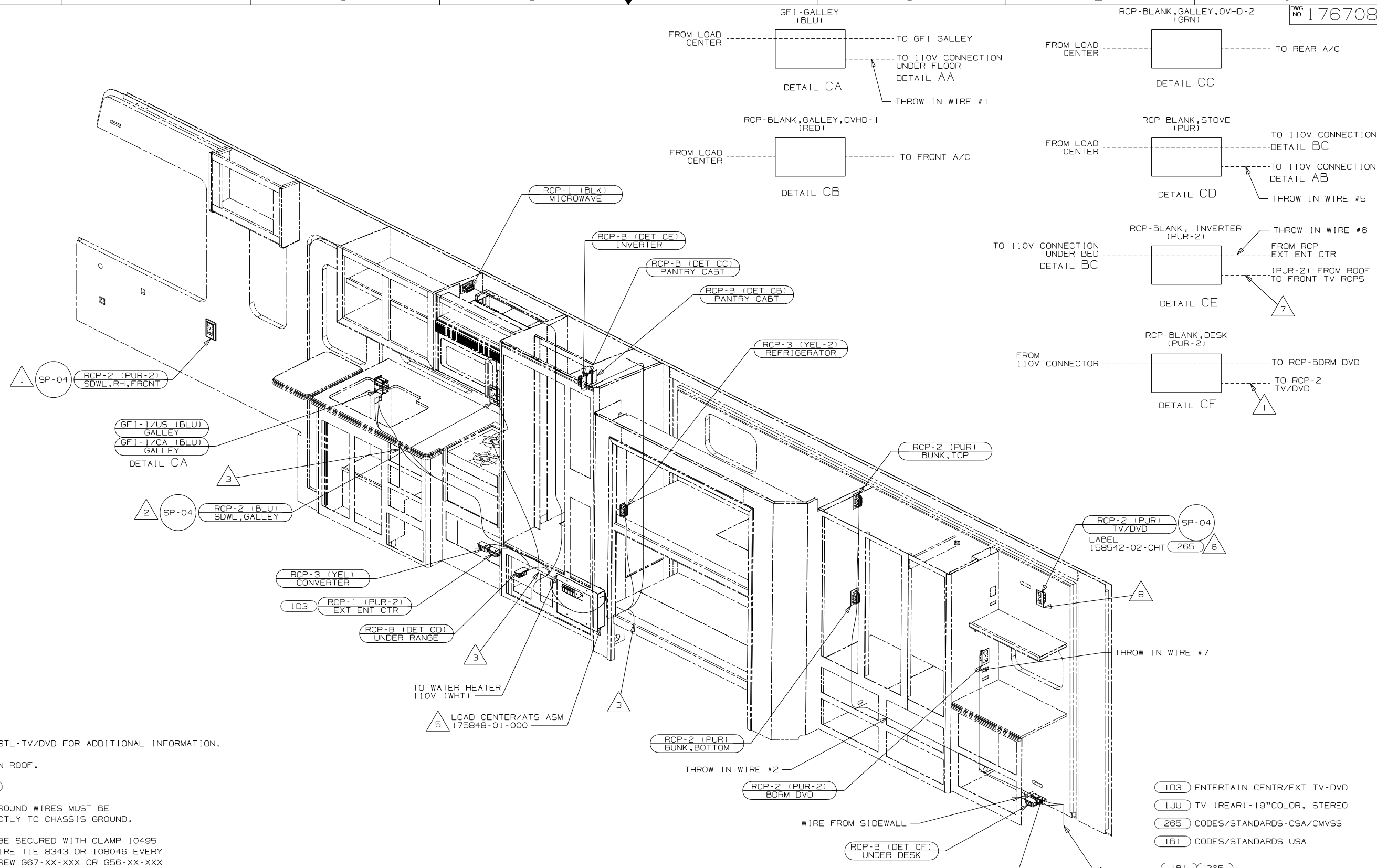
C

B

B

A

A



1 SP-04 RCP-2 (PUR-2)
SDWL, RH, FRONT

GF1-1/US (BLU)
GALLEY
GF1-1/CA (BLU)
GALLEY
DETAIL CA

2 SP-04 RCP-2 (BLU)
SDWL, GALLEY

RCP-3 (YEL)
CONVERTER

ID3 RCP-1 (PUR-2)
EXT ENT CTR

RCP-B (DET CD)
UNDER RANGE

TO WATER HEATER
110V (WHT)

5 LOAD CENTER/ATS ASM
175848-01-000

RCP-1 (BLK)
MICROWAVE

RCP-B (DET CE)
INVERTER

RCP-B (DET CC)
PANTRY CABT

RCP-B (DET CB)
PANTRY CABT

RCP-3 (YEL-2)
REFRIGERATOR

RCP-2 (PUR)
BUNK, TOP

RCP-2 (PUR)
TV/DVD
LABEL
158542-02-CHT 265 6

RCP-2 (PUR)
BUNK, BOTTOM

RCP-2 (PUR-2)
BDRM DVD

RCP-B (DET CF)
UNDER DESK

GF1-GALLEY (BLU)
FROM LOAD CENTER TO GF1 GALLEY
TO 110V CONNECTION UNDER FLOOR
DETAIL AA
THROW IN WIRE #1
DETAIL CA

RCP-BLANK, GALLEY, OVHD-1 (RED)
FROM LOAD CENTER TO FRONT A/C
DETAIL CB

RCP-BLANK, GALLEY, OVHD-2 (GRN)
FROM LOAD CENTER TO REAR A/C
DETAIL CC

RCP-BLANK, STOVE (PUR)
FROM LOAD CENTER TO 110V CONNECTION
DETAIL BC
TO 110V CONNECTION
DETAIL AB
THROW IN WIRE #5
DETAIL CD

RCP-BLANK, INVERTER (PUR-2)
TO 110V CONNECTION UNDER BED
DETAIL BC
THROW IN WIRE #6
FROM RCP EXT ENT CTR
(PUR-2) FROM ROOF TO FRONT TV RCPS
7
DETAIL CE

RCP-BLANK, DESK (PUR-2)
FROM 110V CONNECTOR TO RCP-BDRM DVD
TO RCP-2 TV/DVD
1
DETAIL CF

8 SEE WIRING INSTL-TV/DVD FOR ADDITIONAL INFORMATION.

7 WIRE ROUTED IN ROOF.

6 WITHOUT 1JU

5 LOAD CENTER GROUND WIRES MUST BE ATTACHED DIRECTLY TO CHASSIS GROUND.

4. ALL WIRES TO BE SECURED WITH CLAMP 10495 OR 10497 OR WIRE TIE 8343 OR 108046 EVERY 600MM, USE SCREW G67-XX-XXX OR G56-XX-XXX AS APPROPRIATE FOR INSTALLATION.

3 WIRES ROUTE THRU FLOOR IN THIS AREA.

2 ROUTE WIRE THRU SIDEWALL.

1 WIRE ROUTED IN SIDEWALL.

NOTES:

- 1D3 ENTERTAIN CENTR/EXT TV-DVD
- 1JU TV (REAR) - 19" COLOR, STEREO
- 265 CODES/STANDARDS-CSA/CMVSS
- 1B1 CODES/STANDARDS USA

1B1 265

FOR ELECTRICAL TORQUE SPECIFICATIONS SEE DWG NO. 128783-01-000

X-X

FOR ELECTRICAL CALLOUTS SEE DWG NO. 121339-01-000

FIRST USED	11 D35J
TITLE	DO NOT SCALE DRAWING
TITLE	WIRING INSTL-BODY, 110V
SHEET 3	PART NO 176708 REV

15/12/2010