



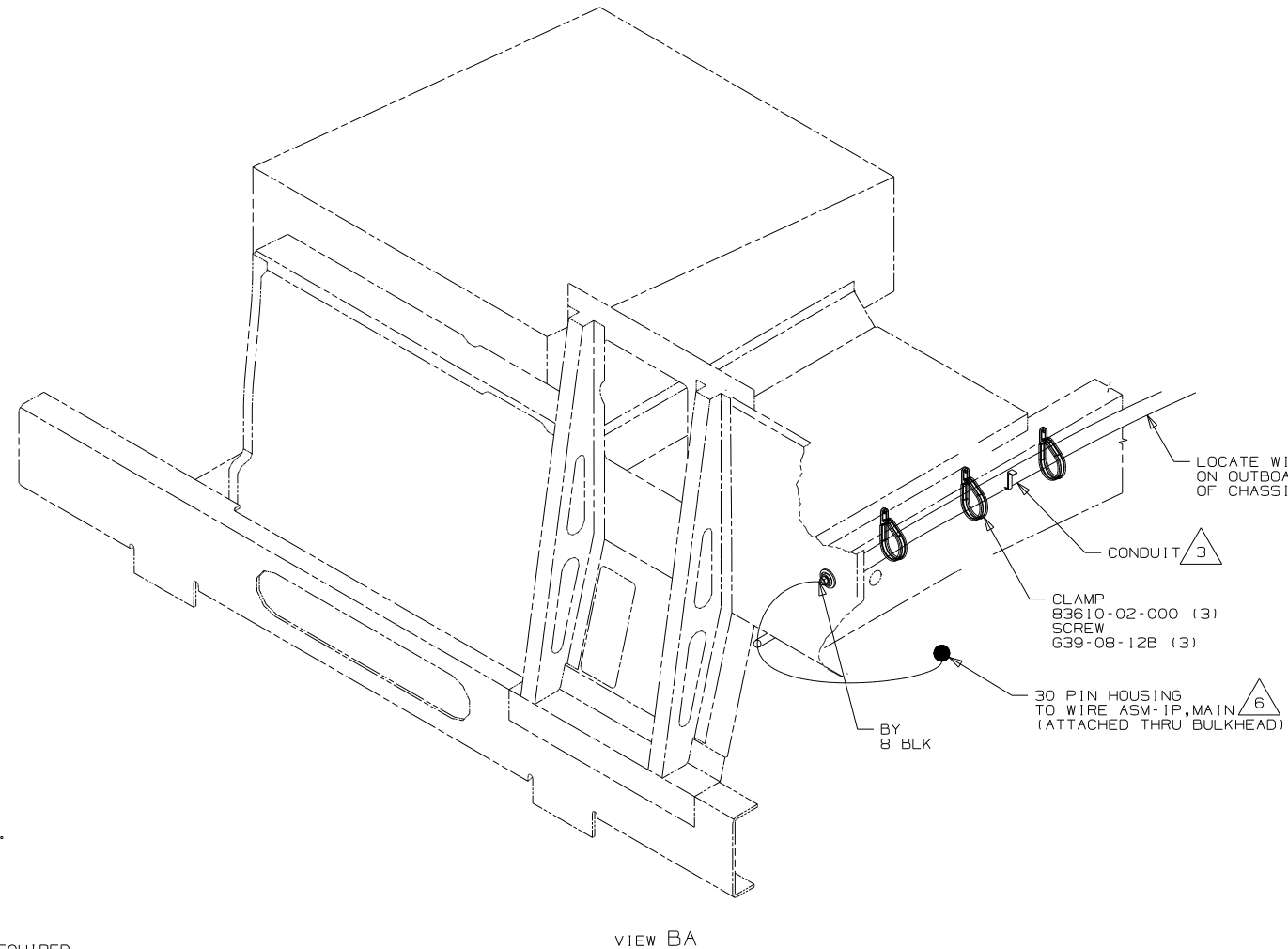
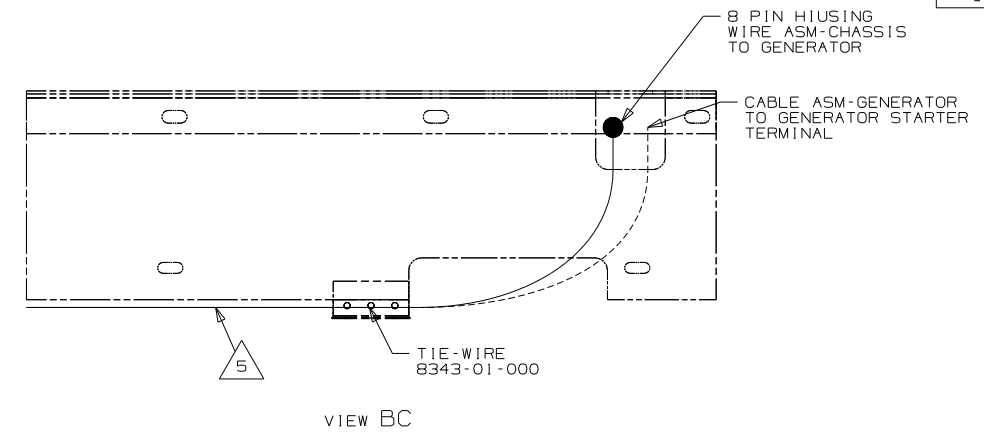
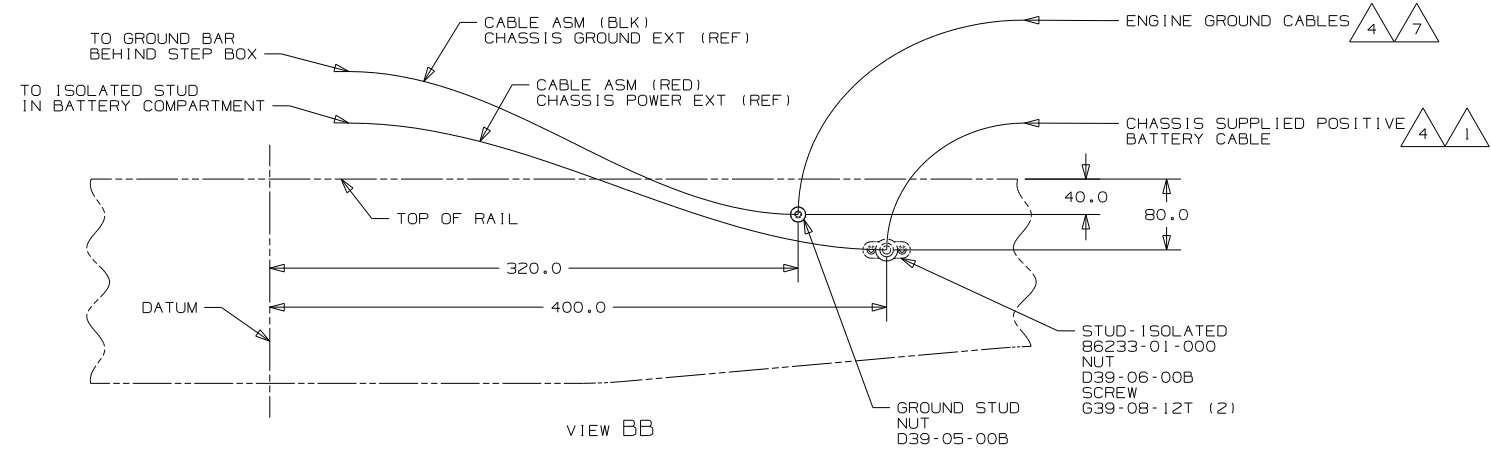
DANGER

Danger of electrical shock, burns or death. Always remove all power sources before attempting any repair, service or diagnostic work. Power can be present from shore power, generator, inverter or battery. All power sources must be disabled and secured before performing any service.



CAUTION

If you lack the skills, tools or equipment to perform diagnostic or repair work leave such work to an authorized Winnebago Industries dealer or other qualified shop.



- NOTES:
- 7 CUT CHASSIS SUPPLIED BATTERY CABLE 700MM FROM BATTERY TERMINAL AND ADD TERMINAL 8348-01-000 TO CUT END
 - 6 SEE WIRING INSTL-FRONT END FOR ADDITIONAL INFORMATION.
 - 5 SECURE SO WIRES DO NOT CONTACT EXHAUST.
 - 4 SUPPLIED WITH CHASSIS.
 - 3 COVER WITH CONDUIT 41953-10-000 AND 41953-11-000 AS REQUIRED.
2. SECURE CONDUIT 41953-09, -10, -11, -13, AND -14 OVER ALL WIRES IN CONTACT WITH SHARP EDGES.
- 1 CUT CHASSIS SUPPLIED POSITIVE BATTERY CABLE 150MM FROM BATTERY TERMINAL END, DISCARD TERMINAL END AND ADD TERMINAL 113738-01-000 TO CUT END. COIL EXCESS ALONG FRAME RAIL JUST BEHIND THE RADIATOR AND TIE UP WITH WIRE-TIE 8343-04-000

- 16Z FORD 24,000#-22.5 ALUM WHEEL
- 16L FORD 22,000#-22.5 AL WHL
- 265 CODES/STANDARDS-CSA/CMVSS
- 1B1 CODES/STANDARDS USA

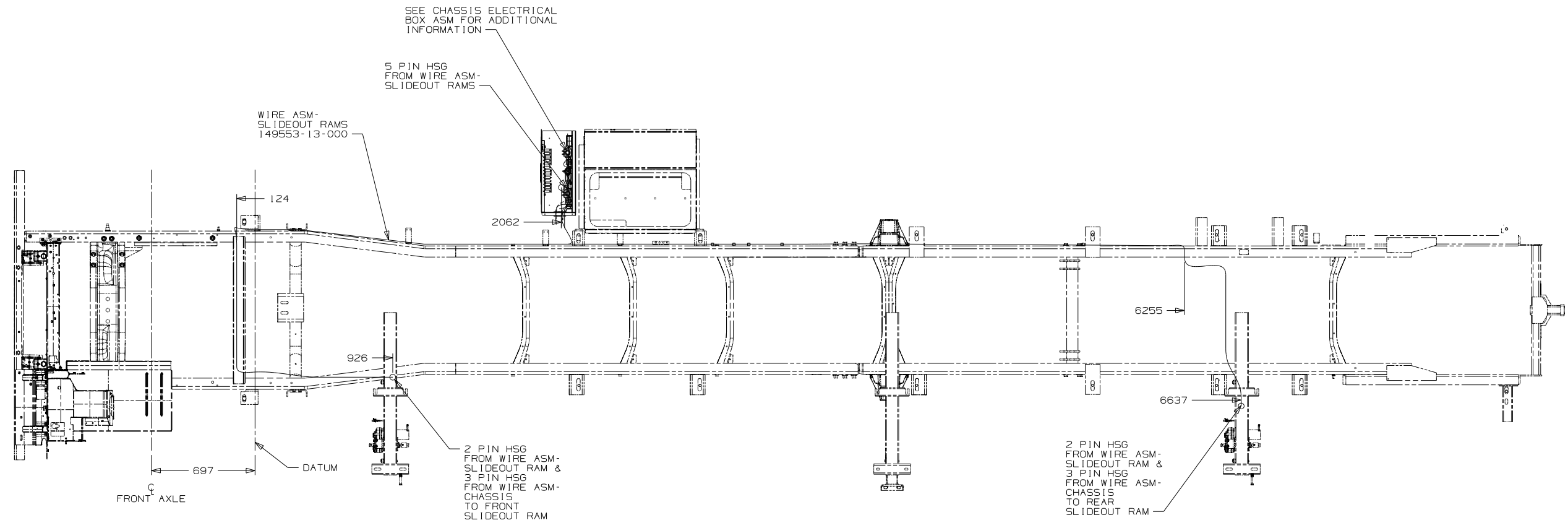
1B1 265 16L 16Z

| | |
|-----------------------------|--------------------|
| FIRST USED | |
| 11 J35P | |
| DO NOT SCALE DRAWING | |
| TITLE: WIRING INSTL-CHASSIS | |
| SHEET 2 | PART NO 176545 REV |

FOR ELECTRICAL TORQUE SPECIFICATIONS SEE DWG NO. 128783-01-000

FOR ELECTRICAL CALLOUTS SEE DWG NO. 121339-01-000





- NOTES:
1. WIRE ASM-SLIDEOUT IS ROUTED AND CLAMPED WITH WIRE ASM-CHASSIS.
 2. SECURE CONDUIT 41953, TAB AS REQUIRED, OVER ALL WIRES IN CONTACT WITH SHARP EDGES.

- 16Z FORD 24,000#-22.5 ALUM WHEEL
- 16L FORD 22,000#-22.5 AL WHL
- 265 CODES/STANDARDS-CSA/CMVSS
- 1B1 CODES/STANDARDS USA

1B1 265 16L 16Z

FOR ELECTRICAL TORQUE SPECIFICATIONS SEE DWG NO. 128783-01-000

X-X FOR ELECTRICAL CALLOUTS SEE DWG NO. 121339-01-000

| | |
|-----------------------------|--------------------|
| FIRST USED | |
| 11 J35P | |
| DO NOT SCALE DRAWING | |
| TITLE: WIRING INSTL-CHASSIS | |
| SHEET 3 | PART NO 176545 REV |