



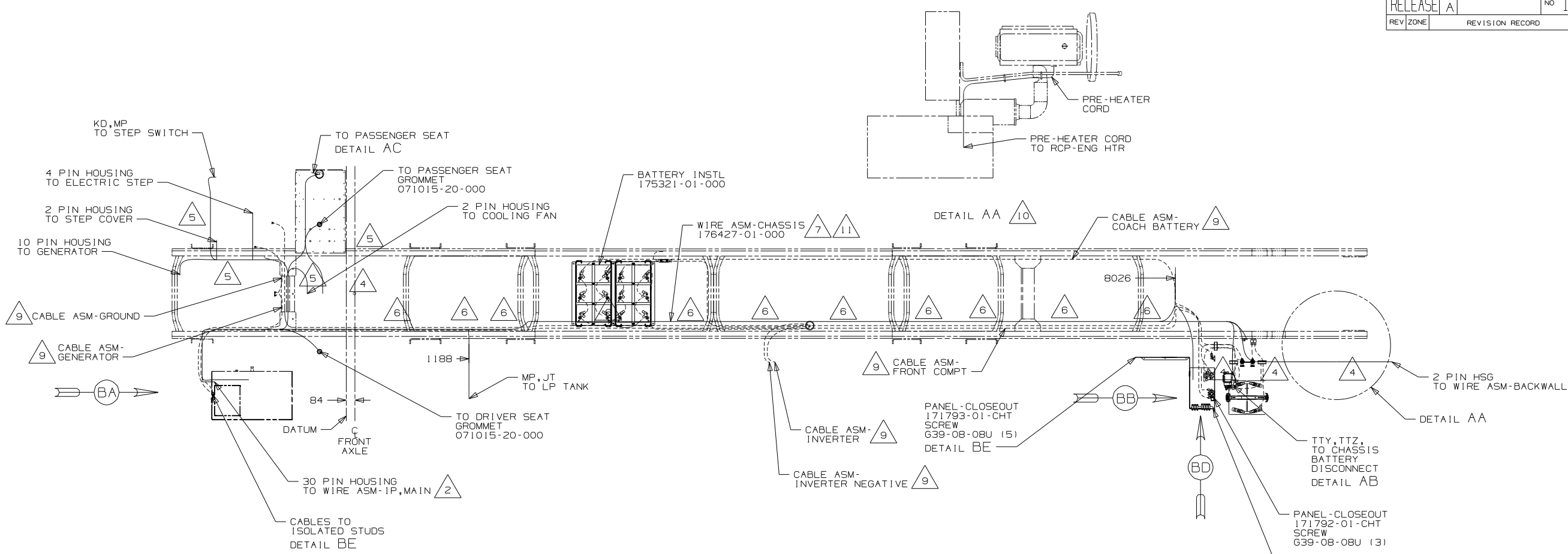
DANGER

Danger of electrical shock, burns or death. Always remove all power sources before attempting any repair, service or diagnostic work. Power can be present from shore power, generator, inverter or battery. All power sources must be disabled and secured before performing any service.



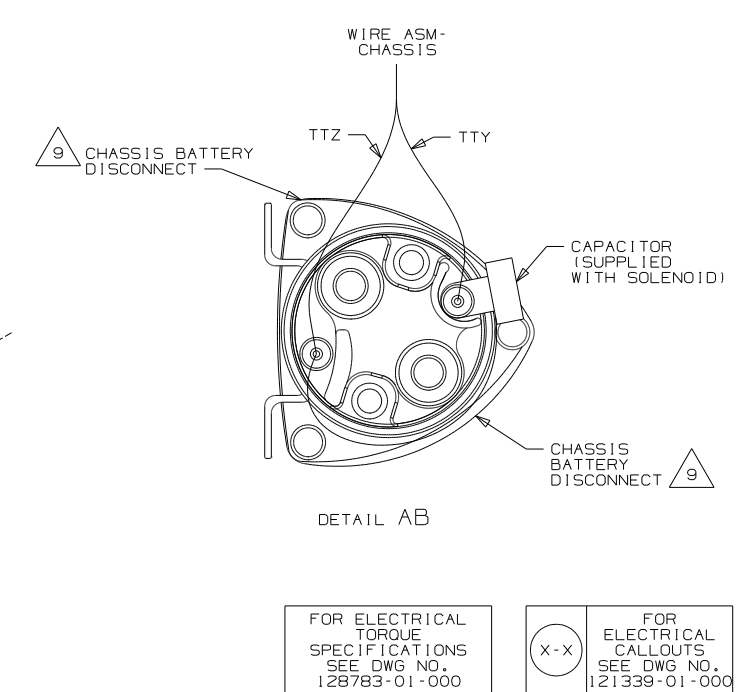
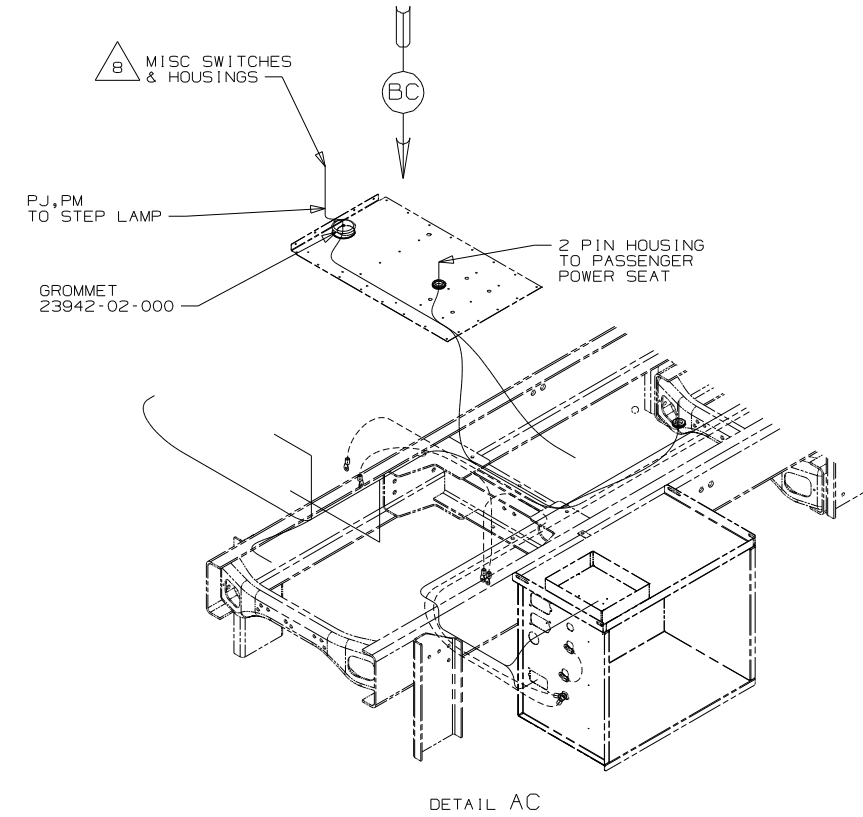
CAUTION

If you lack the skills, tools or equipment to perform diagnostic or repair work leave such work to an authorized Winnebago Industries dealer or other qualified shop.



- 11 SAME LOOM USED ON BOTH R40FD & R40KD.
- 10 SECURE CORD AWAY FROM ALL MOVING PARTS AND EXHAUST WITH WIRE-TIE 93147-01-000 AS REQUIRED
- 9 SEE BATTERY INST FOR ADDITIONAL INFORMATION
- 8 SEE WIRE ASM-CHASSIS FOR ADDITIONAL INFORMATION
- 7 REST WIRE IN FRAME RAIL WHEN APPLICABLE.
- 6 CLAMP 83610-01-000, SCREW G39-08-12B
- 5 CLAMP 10497-03-000, SCREW G39-08-12B
- 4 USE TIE-WIRE 8343-04-000 TO SECURE WIRES TO FLOOR SUPPORT FRAME AT LEAST ONCE EVERY 600MM.
- 3 ROUTE AND CLAMP WIRE ALONG UPPER TUBE IN BATTERY COMPT.
- 2 SEE WIRING INSTL-FRONT END FOR ADDITIONAL INFORMATION.

1. LEGEND: — WINNEBAGO: - - - - - CABLE: - - - - - CHASSIS SUPPLIED WIRING.



FOR ELECTRICAL TORQUE SPECIFICATIONS SEE DWG NO. 128783-01-000

X-X FOR ELECTRICAL CALLOUTS SEE DWG NO. 121339-01-000

265 CODES/STANDARDS-CSA/CMVSS

1B1 CODES/STANDARDS USA

1B1 265

WINNEBAGO COPYRIGHT 2010 WINNEBAGO INDUSTRIES, INC.

DFTR	ORIG. DATE
CHKR	ALL DIMENSIONS ARE IN MILLIMETERS
P.E.	FIRST USED
M.E.	11 P40L
DSNR	

UNSPECIFIED TOLERANCES ARE: MATERIAL:

WHOLE DIM (X)	: 3
ONE-PLACE (X.X)	: 1.5
TWO-PLACE (X.XX)	: 0.50
ANGLE	: 1°

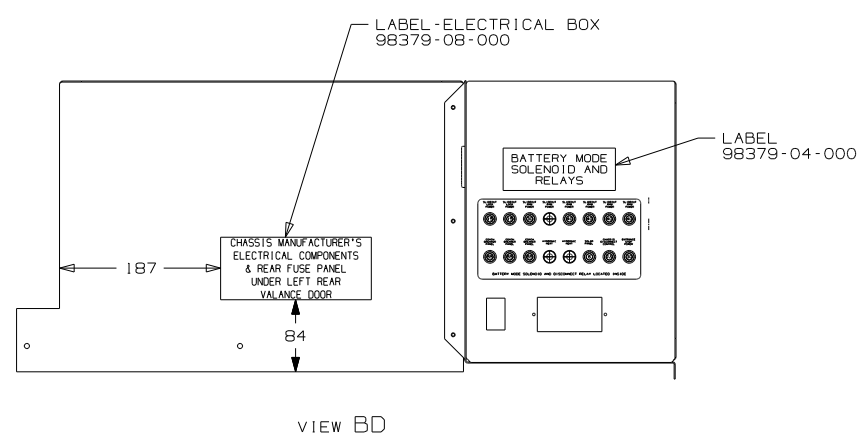
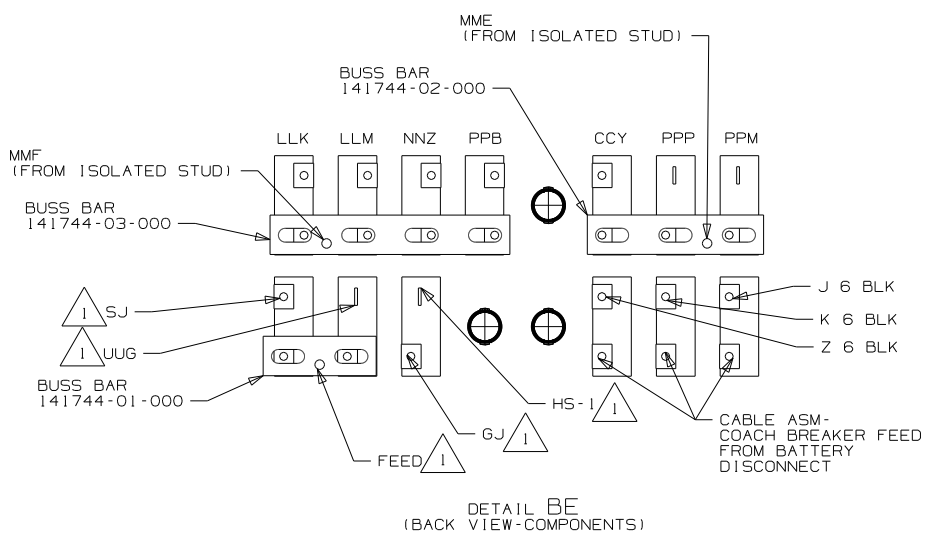
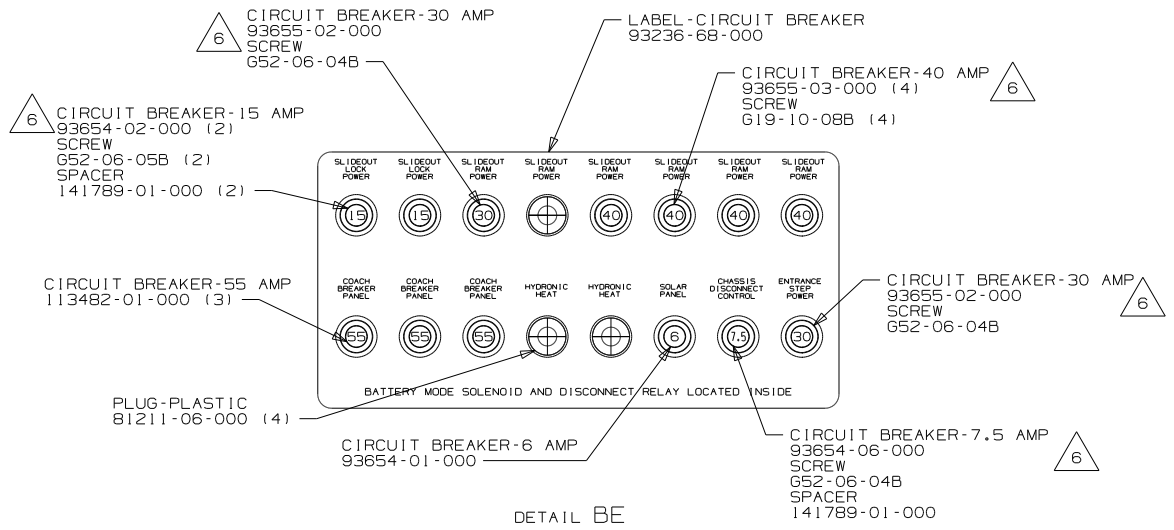
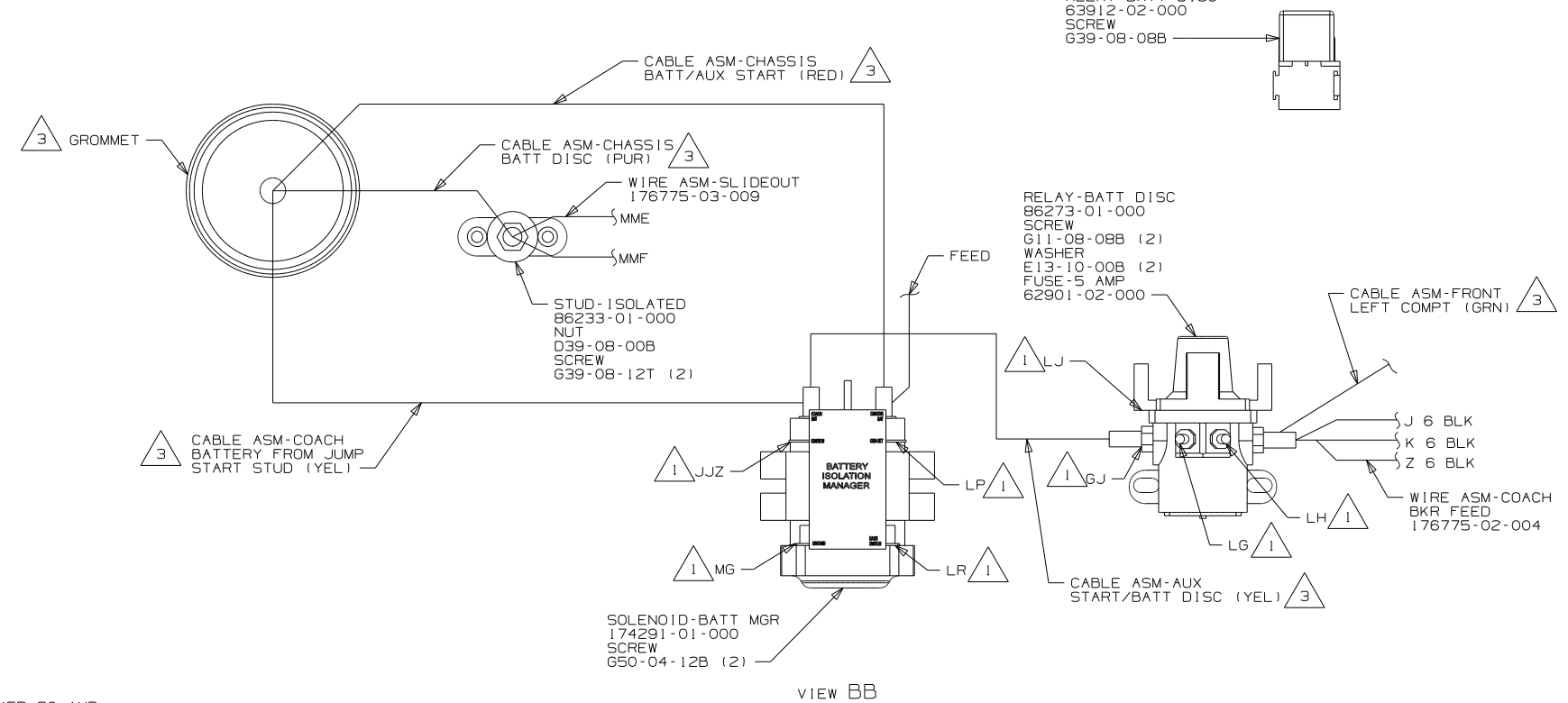
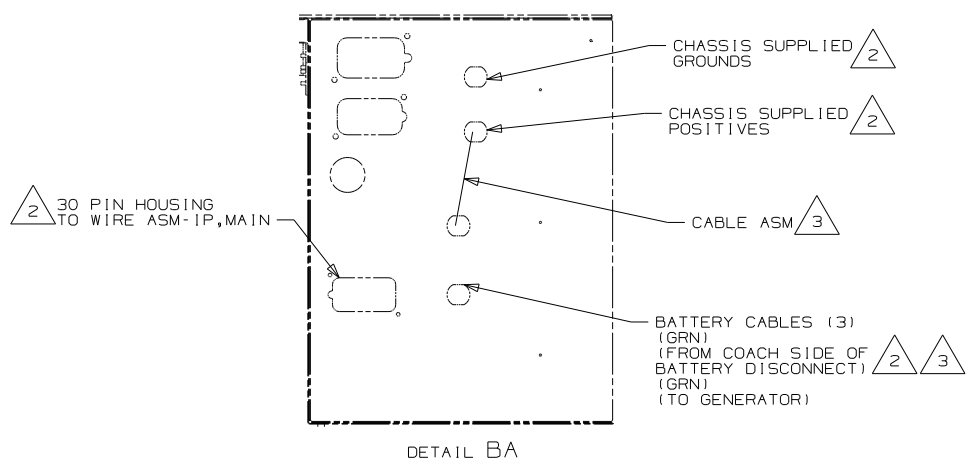
THIRD ANGLE PROJECTION

DO NOT SCALE DRAWING

TITLE: WIRING INSTL-CHASSIS

SHEET 1 OF 3 PART NO 176311 REV

REF: 1 12/10/2010

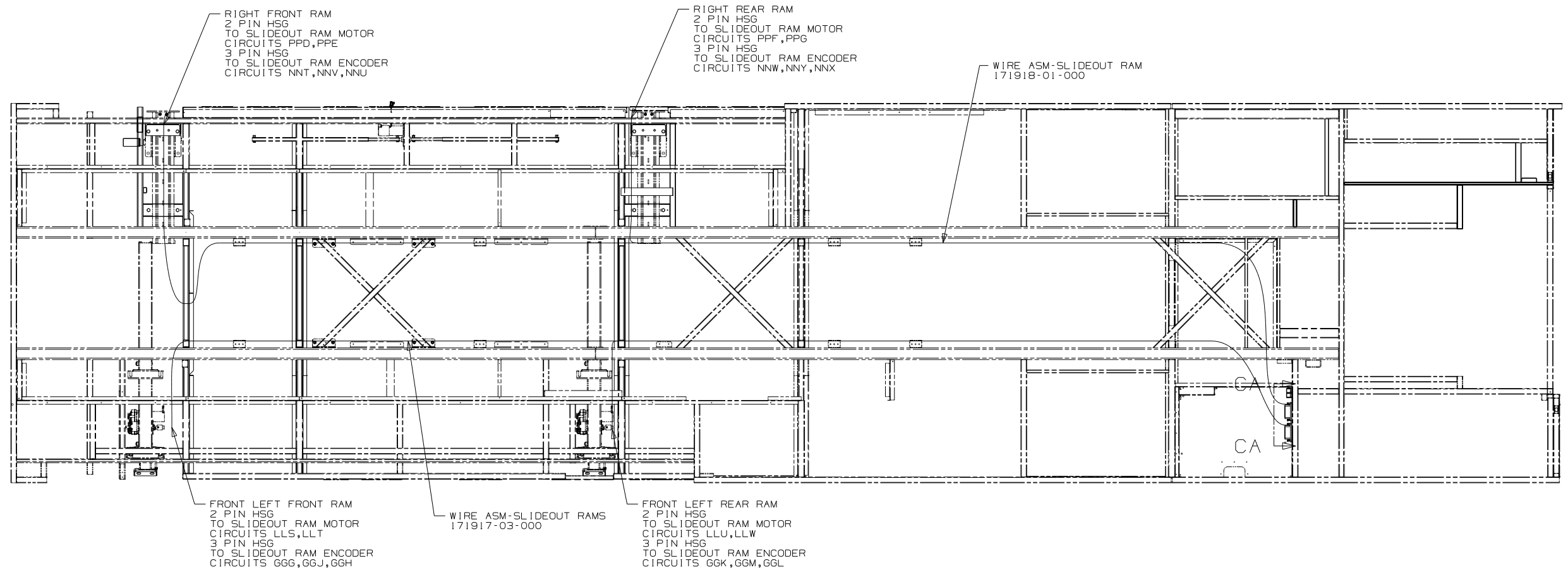


- NOTES:**
- 6 REPLACE EXISTING SCREW TO PROPERLY ATTACH BREAKER TO BUSS BAR.
 - 5 WIRE TIE THE FUSE WIRING TO RELAY WIRING.
 - 4 SEE WIRE ASM-CHASSIS FOR ADDITIONAL INFORMATION
 - 3 SEE BATTERY INSTL FOR ADDITIONAL INFORMATION.
 - 2 SEE WIRING INSTL-FRONT END FOR ADDITIONAL INFORMATION.
 - 1 CIRCUITS BRANCH FROM WIRE ASM-CHASSIS.

FOR ELECTRICAL TORQUE SPECIFICATIONS SEE DWG NO. 128783-01-000

(X-X) FOR ELECTRICAL CALLOUTS SEE DWG NO. 121339-01-000

265	CODES/STANDARDS-CSA/CMVSS
1B1	CODES/STANDARDS USA
1B1	265
FIRST USED	11 P40L
DO NOT SCALE DRAWING	
TITLE:	WIRING INSTL-CHASSIS
SHEET 2	PART NO 176311
REV 12/10/2010	



RIGHT FRONT RAM
2 PIN HSG
TO SLIDEOUT RAM MOTOR
CIRCUITS PPD,PPE
3 PIN HSG
TO SLIDEOUT RAM ENCODER
CIRCUITS NNT,NNV,NNU

RIGHT REAR RAM
2 PIN HSG
TO SLIDEOUT RAM MOTOR
CIRCUITS PPF,PPG
3 PIN HSG
TO SLIDEOUT RAM ENCODER
CIRCUITS NNW,NNY,NNX

WIRE ASM-SLIDEOUT RAM
171918-01-000

FRONT LEFT FRONT RAM
2 PIN HSG
TO SLIDEOUT RAM MOTOR
CIRCUITS LLS,LLT
3 PIN HSG
TO SLIDEOUT RAM ENCODER
CIRCUITS GGG,GGJ,GGH

WIRE ASM-SLIDEOUT RAMS
171917-03-000

FRONT LEFT REAR RAM
2 PIN HSG
TO SLIDEOUT RAM MOTOR
CIRCUITS LLU,LLW
3 PIN HSG
TO SLIDEOUT RAM ENCODER
CIRCUITS GKK,GGM,GGL

WIRE ASM-SLIDEOUT
RAM,RIGHT
6 PIN HSG
CIRCUITS
NNU, NNT, NNV,
NNX, NNW, NNY

RELAY-SLIDEOUT
63912-02-000 (2)
SCREW
639-08-08B (2)

WIRE ASM-COACH
10 PIN HSG
CIRCUITS
HHF, NNN, NNP,
NNR, HHE, WWR,
DDJ, WWP, WWS

4 PIN HSG
CIRCUITS
NNZ, PPA, PPC, PPB

CONTROL-FLS/RPE, DUAL RA
171058-02-000 (2)
SCREW
639-08-12U (8)
FUSE-5 AMP
62901-02-000 (2)

FROM WIRE ASM-SLIDEOUT
RAM,LEFT
6 PIN HSG
CIRCUITS
GGH, GGG, GGJ
GGL, GKK, GGM

FROM WIRE ASM-COACH
10 PIN HSG
CIRCUITS
DU, GGD, GGE, GGF, DR,
VVP, DDJ, VVN, VVR

WIRE ASM-SLIDEOUT RAM,LEFT
5 PIN HSG
CIRCUITS
LLS,LLT,LLW,LLU

WIRE ASM-SLIDEOUT POWER
149552-24-000
4 PIN HSG
CIRCUITS
LLK,LLT,LLW,LLU

WIRE ASM-SLIDEOUT
RAM,RIGHT
5 PIN HSG
CIRCUITS
PPD,PPE,PPG,PPF

SECTION CA-CA

265 CODES/STANDARDS-CSA/CMVSS

1B1 CODES/STANDARDS USA

1B1 265

FIRST USED	11 P40L
TITLE:	DO NOT SCALE DRAWING
	WIRING INSTL-CHASSIS
SHEET 3	PART NO 176311 REV

FOR ELECTRICAL
TORQUE
SPECIFICATIONS
SEE DWG NO.
128783-01-000

(X-X)

FOR
ELECTRICAL
CALLOUTS
SEE DWG NO.
121339-01-000

- 3 SECURE SLIDEOUT RAM WIRES TO SLIDEOUT MOTOR WITH WIRE TIE 8343-04-000.
- 2 SEE WIRING DIAGRAM-BODY,12V FOR ADDITIONAL INFORMATION.

1. ALL WIRES TO BE CLAMPED WITH 10495-01-000 OR WIRE TIE 8343-02-000 EVERY 600MM, UNLESS OTHERWISE SPECIFIED.

NOTES: