



DANGER

Danger of electrical shock, burns or death. Always remove all power sources before attempting any repair, service or diagnostic work. Power can be present from shore power, generator, inverter or battery. All power sources must be disabled and secured before performing any service.

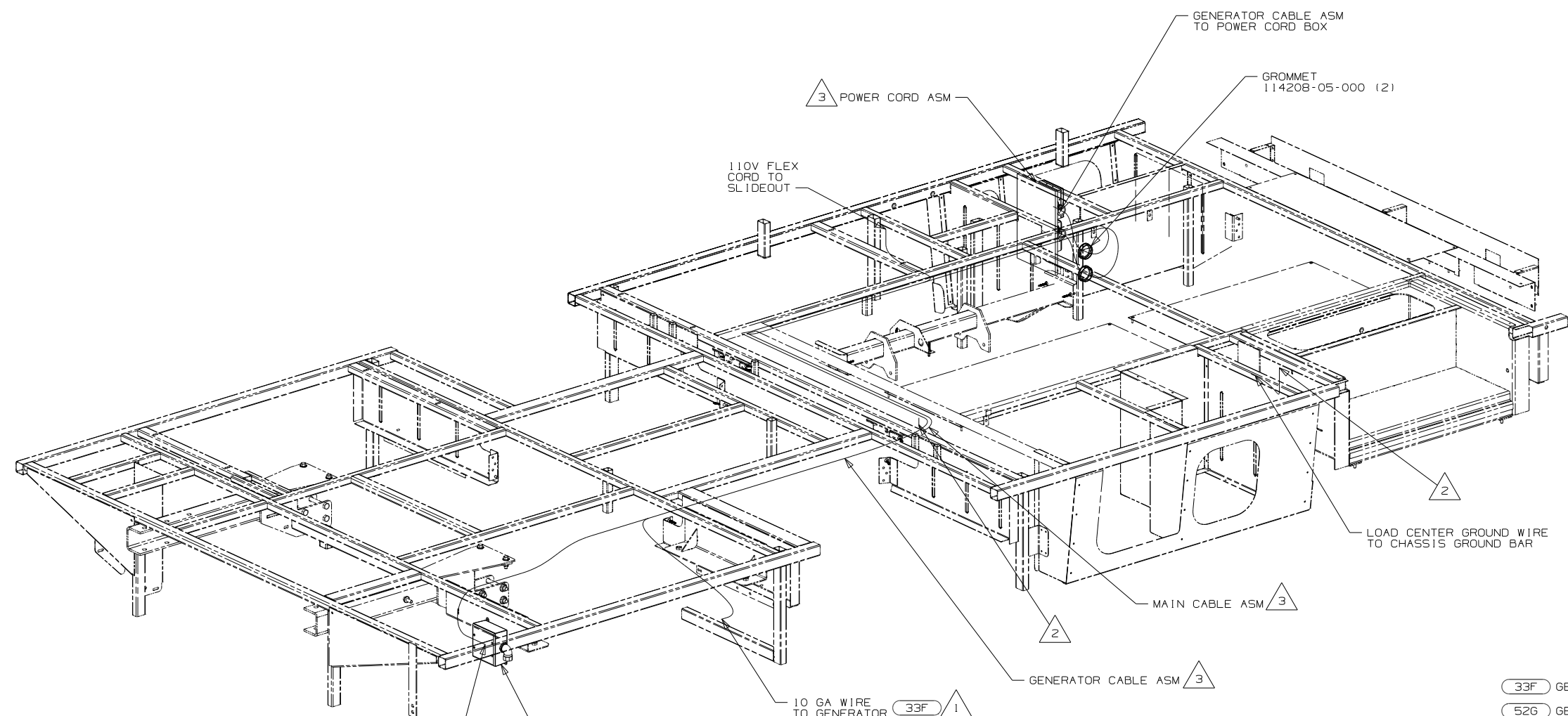


CAUTION

If you lack the skills, tools or equipment to perform diagnostic or repair work leave such work to an authorized Winnebago Industries dealer or other qualified shop.

DRAWING NO.	FEATURE
175690-01	-----
175690-11	(1B1) (12D)
175690-15	(265) (12D)

RELEASE	REV/DATE	DWG NO
A		175690
REV ZONE	REVISION RECORD	DATE DFR-ORIG



- 1 52G 10 GA WIRE TO GENERATOR CONNECTIONS
BLK-BLK
WHT-WHT
GRN-BARE,GND
- BOX-4X4, SEALED
131679-01-000
COVER
131680-01-000
BUSHING
132054-01-000 (2)
CONNECTOR-CONDUIT
93256-01-000
ELBOW-CONDUIT
91235-01-000
WIRE-GND
133678-02-000
NUT-WIRE
8314-01-000 (3)
SCREW
G39-08-12T (2)

- 33F GEN-3.2 KW ONAN DIESEL
- 52G GEN-3.6KW ONAN LP MICROQUIET
- 12D ELECTRICAL SYSTEM 30 AMP
- 265 CODES/STANDARDS-CSA/CMVSS
- 1B1 CODES/STANDARDS USA

(1B1) (265) (12D)

WINNEBAGO COPYRIGHT 2010 WINNEBAGO INDUSTRIES, INC.

DFTR	ORIG. DATE
CHKR	ALL DIMENSIONS ARE IN MILLIMETERS
P.E.	
M.E.	FIRST USED
DSNR	11 524G

UNSPECIFIED TOLERANCES ARE:	MATERIAL:
HOLE DIM (X) : 3	
ONE-PLACE (X.X) : 1.5	
TWO-PLACE (X.XX) : 0.50	
ANGLE : 1°	

THIRD ANGLE PROJECTION

DO NOT SCALE DRAWING

TITLE: WIRING INSTL-BODY, 110V

SHEET 1 of 4 PART NO 175690 REV

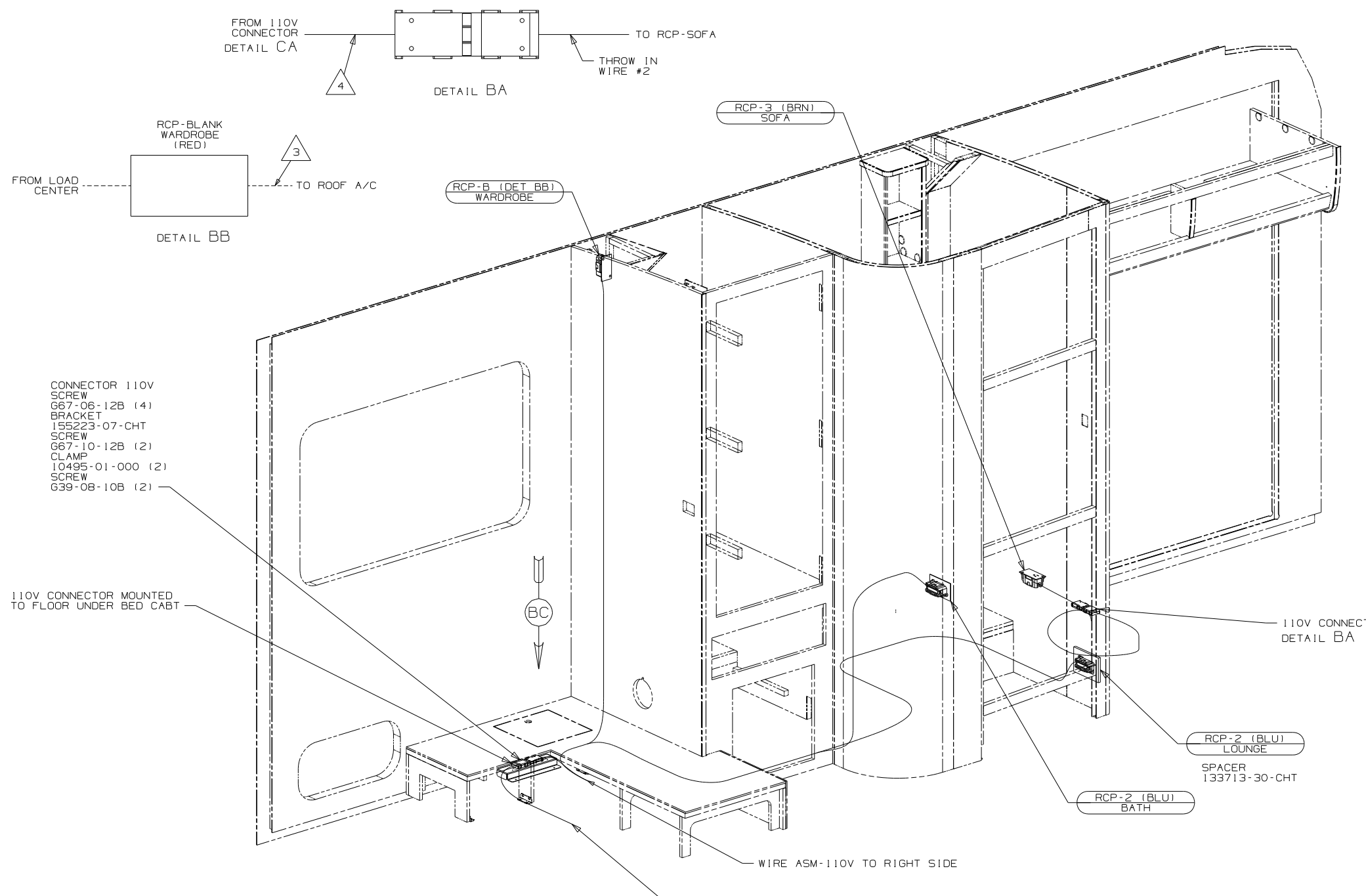
REF: 1 9/27/2010

NOTES:

- 3 SEE LOADCENTER ASM FOR ADDITIONAL INFORMATION.
- 2 WIRE PASSES THROUGH FLOOR IN THIS AREA.
- 1 SEE GENERATOR INSTALLATION FOR ADDITIONAL INFORMATION.

FOR ELECTRICAL TORQUE SPECIFICATIONS SEE DWG NO. 128783-01-000

(X-X) FOR ELECTRICAL CALLOUTS SEE DWG NO. 121339-01-000



- 4 WIRE PART OF WIRE ASM-CHASSIS.
- 3 WIRE ROUTED IN ROOF.

2. ALL 110V WIRE TO BE CLAMPED WITH CLAMP 10497-05-000 WITHIN 200MM OF OUTLET BOXES, USE SCREW G67-10-12B.
1. ALL WIRES TO BE SECURED WITH CLAMP 10495 OR 10497 OR WIRE TIE 8343 OR 108046 EVERY 600mm, USE SCREW G67-XX-XXX OR G56-XX-XXX AS APPROPRIATE FOR INSTALLATION.

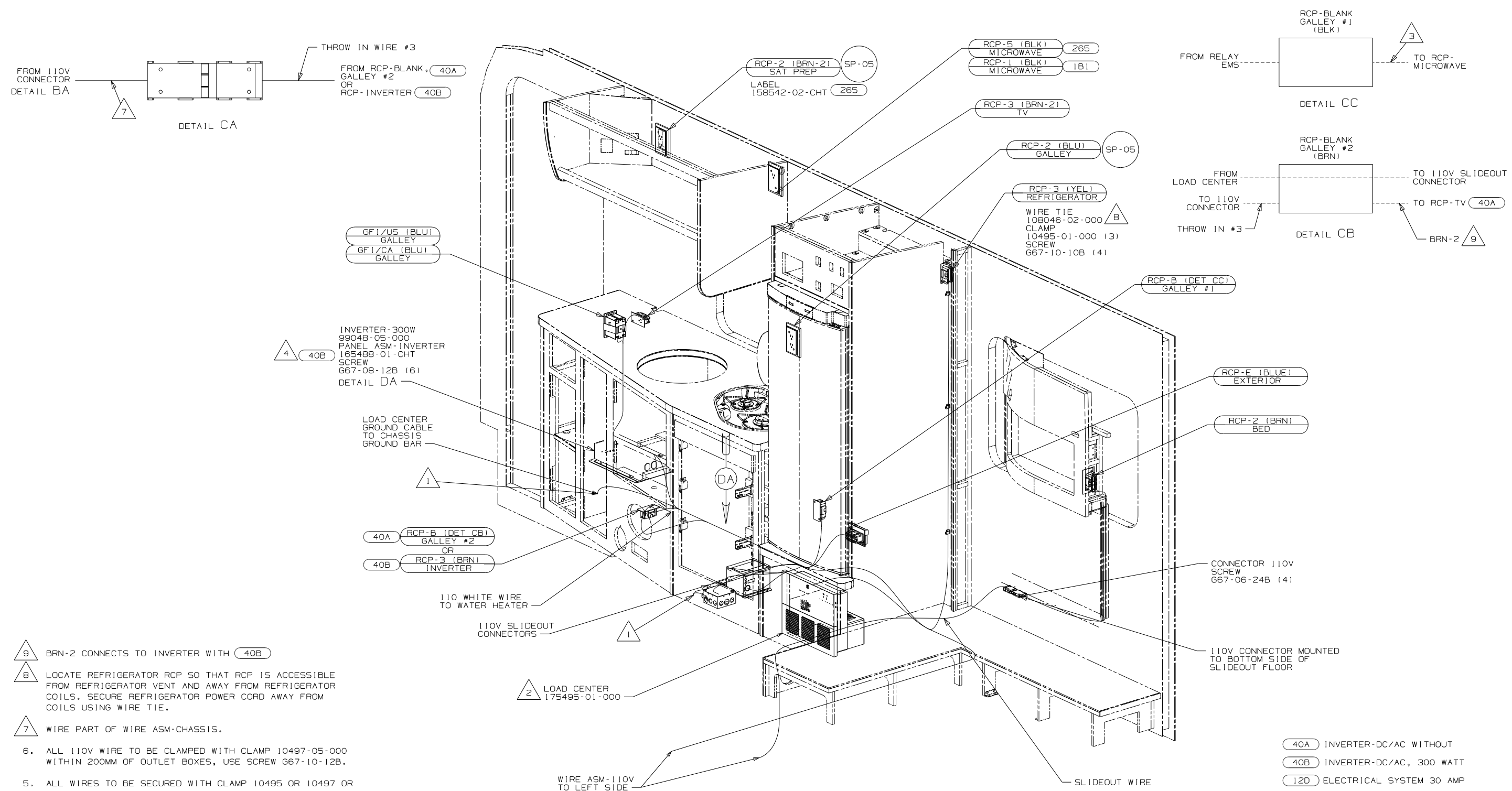
NOTES:

FOR ELECTRICAL TORQUE SPECIFICATIONS SEE DWG NO. 128783-01-000

FOR ELECTRICAL CALLOUTS SEE DWG NO. 121339-01-000

- 52G GEN-3.6KW ONAN LP MICROQUIET
- 651 BUNK FRONT OVERHEAD-SINGLE
- 53B WTR HTR-6GAL ELECTRIC/LP GAS
- 12D ELECTRICAL SYSTEM 30 AMP
- 265 CODES/STANDARDS-CSA/CMVSS
- 1B1 CODES/STANDARDS USA

FIRST USED	
11 524G	
DO NOT SCALE DRAWING	
TITLE: WIRING INSTL-BODY, 110V	
SHEET 2	PART NO 175690 REV



- △ 9 BRN-2 CONNECTS TO INVERTER WITH 40B
- △ 8 LOCATE REFRIGERATOR RCP SO THAT RCP IS ACCESSIBLE FROM REFRIGERATOR VENT AND AWAY FROM REFRIGERATOR COILS. SECURE REFRIGERATOR POWER CORD AWAY FROM COILS USING WIRE TIE.
- △ 7 WIRE PART OF WIRE ASM-CHASSIS.
- 6. ALL 110V WIRE TO BE CLAMPED WITH CLAMP 10497-05-000 WITHIN 200MM OF OUTLET BOXES, USE SCREW G67-10-12B.
- 5. ALL WIRES TO BE SECURED WITH CLAMP 10495 OR 10497 OR WIRE TIE 8343 OR 108046 EVERY 600MM, USE SCREW G67-XX-XXX OR G56-XX-XXX AS APPROPRIATE FOR INSTALLATION.
- △ 4 WHEN CONNECTING 12VDC POWER WIRES MAKE SURE THAT THE POLARITY IS CORRECT, (BLK-RED, GRN-WHT)
- △ 3 WIRE ROUTED IN SIDEWALL.
- △ 2 LOAD CENTER GROUND WIRES MUST BE ATTACHED DIRECTLY TO CHASSIS GROUND.
- △ 1 WIRE ROUTED THROUGH FLOOR IN THIS AREA.

NOTES:

△ 2 LOAD CENTER 175495-01-000

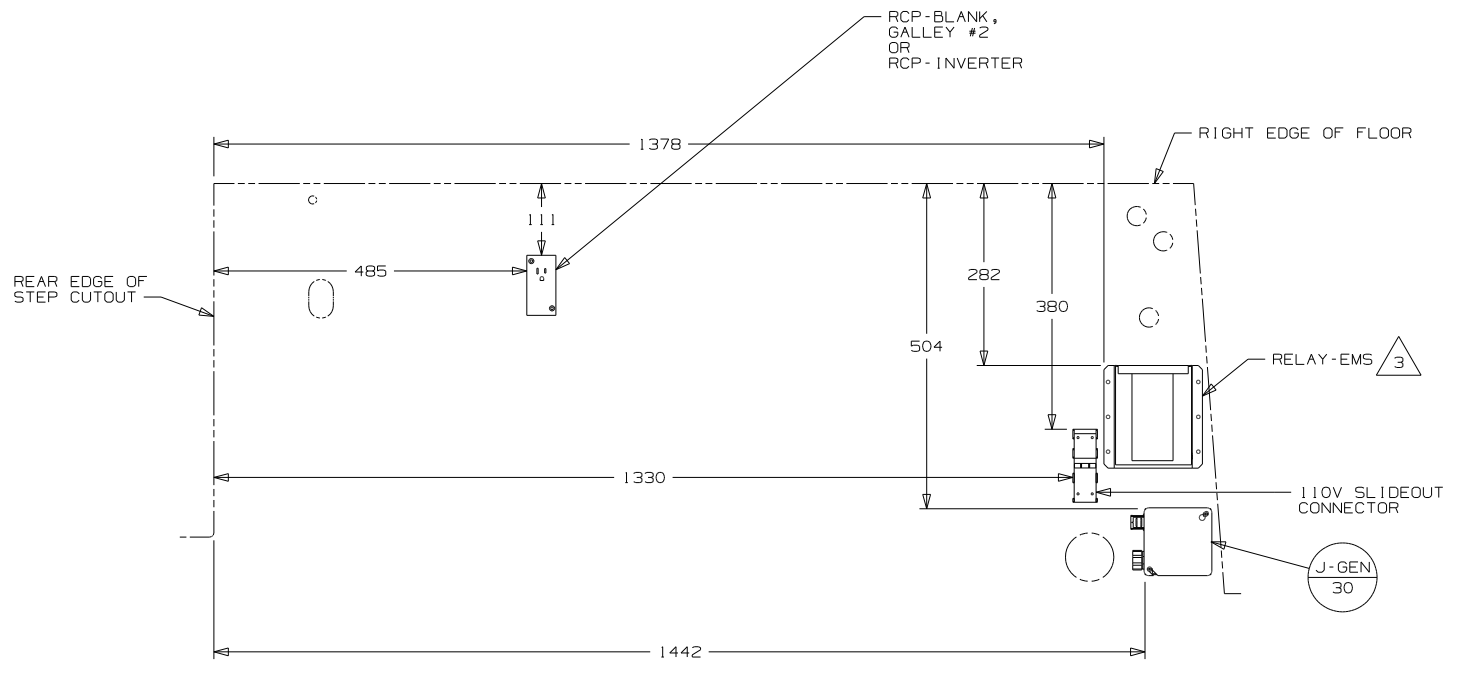
- 40A INVERTER-DC/AC WITHOUT
- 40B INVERTER-DC/AC, 300 WATT
- 12D ELECTRICAL SYSTEM 30 AMP
- 265 CODES/STANDARDS-CSA/CMVSS
- 1B1 CODES/STANDARDS USA

1B1 265 12D

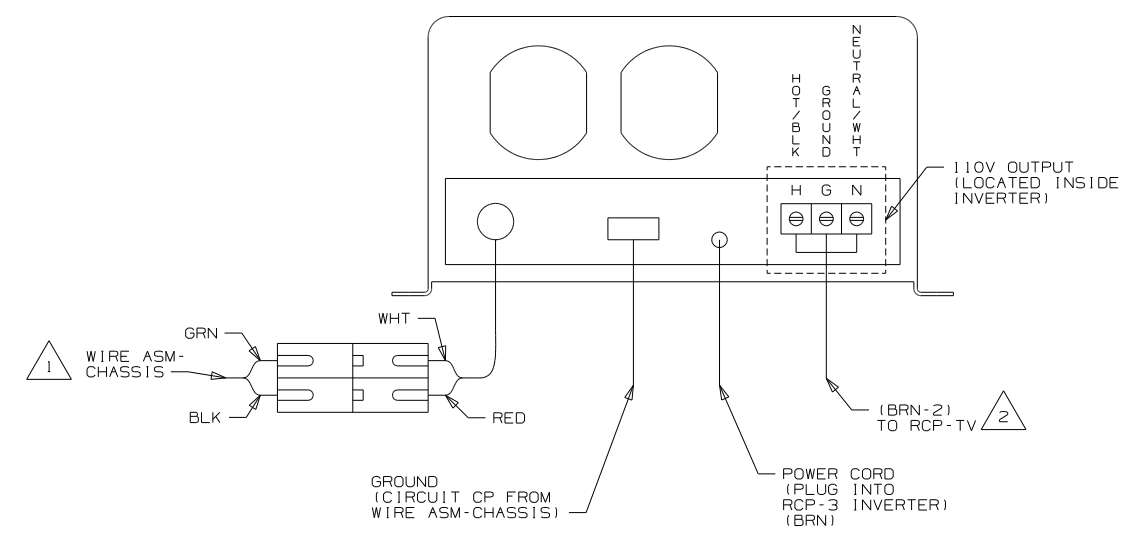
FOR ELECTRICAL TORQUE SPECIFICATIONS SEE DWG NO. 128783-01-000

FOR ELECTRICAL CALLOUTS SEE DWG NO. 121339-01-000

FIRST USED		11 524G	
DO NOT SCALE DRAWING			
TITLE: WIRING INSTL-BODY, 110V			
SHEET 3	PART NO	175690	REV



VIEW DA



DETAIL DB 40B

- NOTES:
- 3 SEE LOAD CENTER ASM FOR ADDITIONAL INFORMATION.
 - 2 WIRE ROUTED IN SIDEWALL.
 - 1 WHEN CONNECTING 12VDC POWER WIRES MAKE SURE THAT THE POLARITY IS CORRECT, (BLK-RED, GRN-WHT)

- 40B INVERTER-DC/AC, 300 WATT
- 12D ELECTRICAL SYSTEM 30 AMP
- 265 CODES/STANDARDS-CSA/CMVSS
- 1B1 CODES/STANDARDS USA

FIRST USED	
11 524G	
DO NOT SCALE DRAWING	
TITLE:	
WIRING INSTL-BODY, 110V	
SHEET 4	PART NO 175690 REV

FOR ELECTRICAL TORQUE SPECIFICATIONS SEE DWG NO. 128783-01-000

(X-X) FOR ELECTRICAL CALLOUTS SEE DWG NO. 121339-01-000