



DANGER

Danger of electrical shock, burns or death. Always remove all power sources before attempting any repair, service or diagnostic work. Power can be present from shore power, generator, inverter or battery. All power sources must be disabled and secured before performing any service.

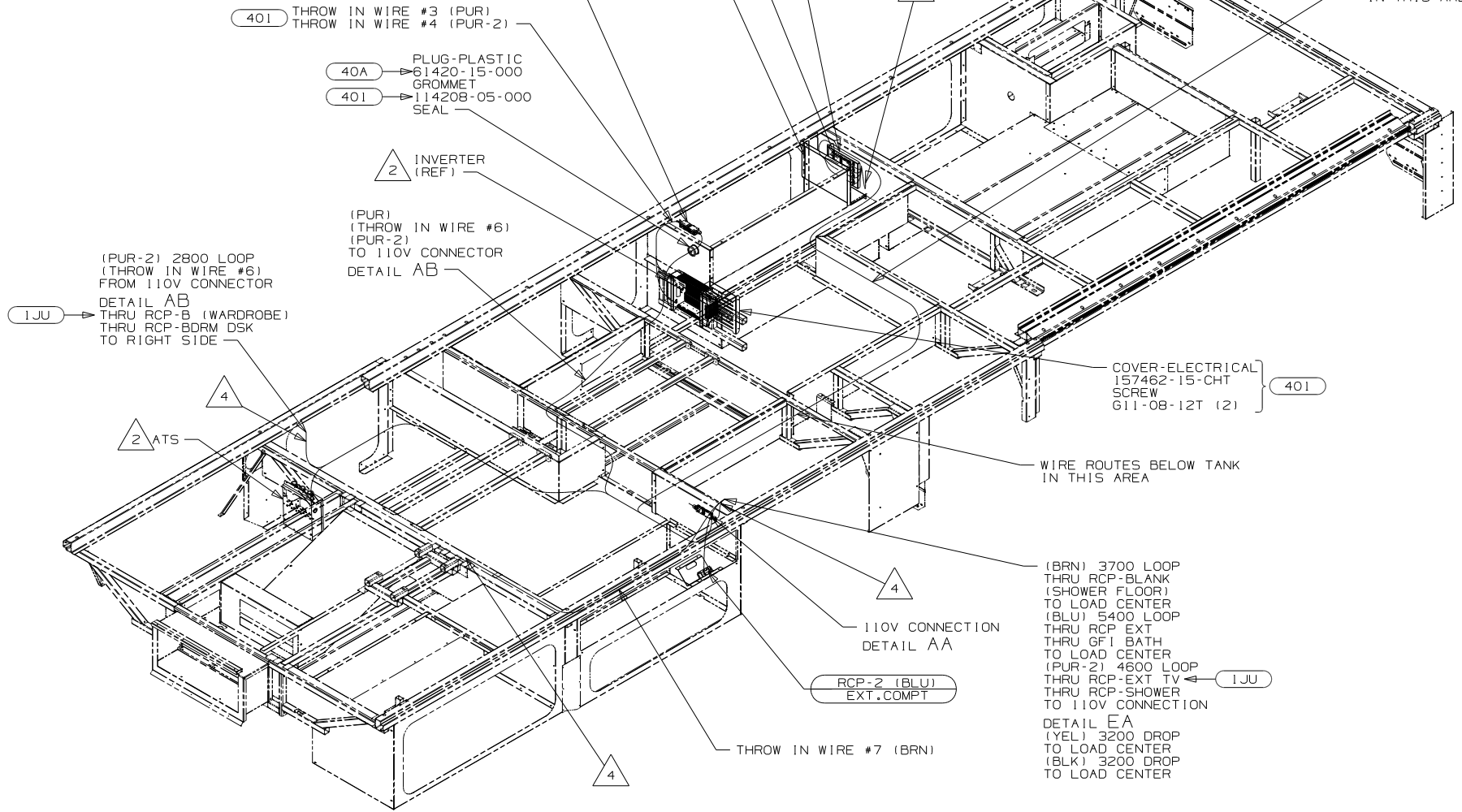
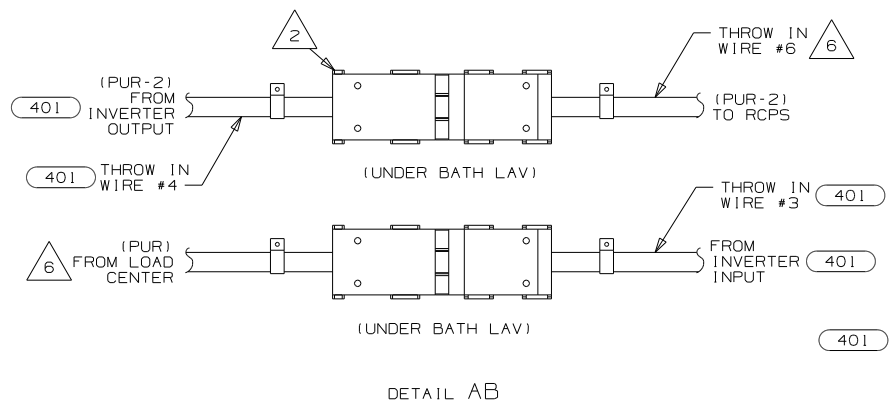


CAUTION

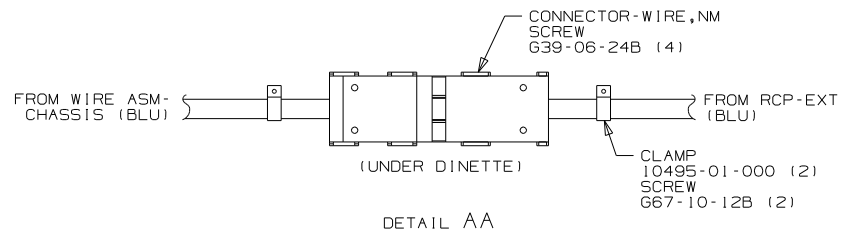
If you lack the skills, tools or equipment to perform diagnostic or repair work leave such work to an authorized Winnebago Industries dealer or other qualified shop.

DRAWING NO.	FEATURE
175628-12	(1B1) (78J)
175628-16	(265) (78J)

RELEASE	REV/DATE	DWG NO
	A	175628
REV ZONE	REVISION RECORD	DATE DFR-ORIG



- 6 WITHOUT INVERTER THROW IN #2 (PUR-2) CONNECTS TO (PUR) FROM LOAD CENTER.
- 5. ALL WIRES TO BE SECURED WITH CLAMP 10495 OR 10497 OR WIRE TIE 8343 OR 108046 EVERY 600MM, USE SCREW G67-XX-XXX OR G56-XX-XXX AS APPROPRIATE FOR INSTALLATION.
- 4 WIRE ROUTED THROUGH FLOOR IN THIS AREA.
- 3 WIRE IN SIDEWALL.
- 2 SEE LOAD CENTER/ATS ASM FOR ADDITIONAL INFORMATION.
- 1. WIRES ROUTED UNDER FLOOR.



- (78J) ELECTRICAL SYSTEM-50 AMP
- (40A) INVERTER-DC/AC WITHOUT
- (401) INVERTER-DC/AC, 1000 WATT
- (1JU) TV (REAR) -19"COLOR, STEREO
- (265) CODES/STANDARDS-CSA/CMVSS
- (1B1) CODES/STANDARDS USA
- (1B1) (265)

WINNEBAGO COPYRIGHT 2010 WINNEBAGO INDUSTRIES, INC.

DFTR	ORIG. DATE
CHKR	ALL DIMENSIONS ARE IN MILLIMETERS
P.E.	
M.E.	FIRST USED
DSNR	11 D33C

UNSPECIFIED TOLERANCES ARE: MATERIAL:

WHOLE DIM (X)	: 3
ONE-PLACE (X.X)	: 1.5
TWO-PLACE (X.XX)	: 0.50
ANGLE	: 1°

THIRD ANGLE PROJECTION

DO NOT SCALE DRAWING

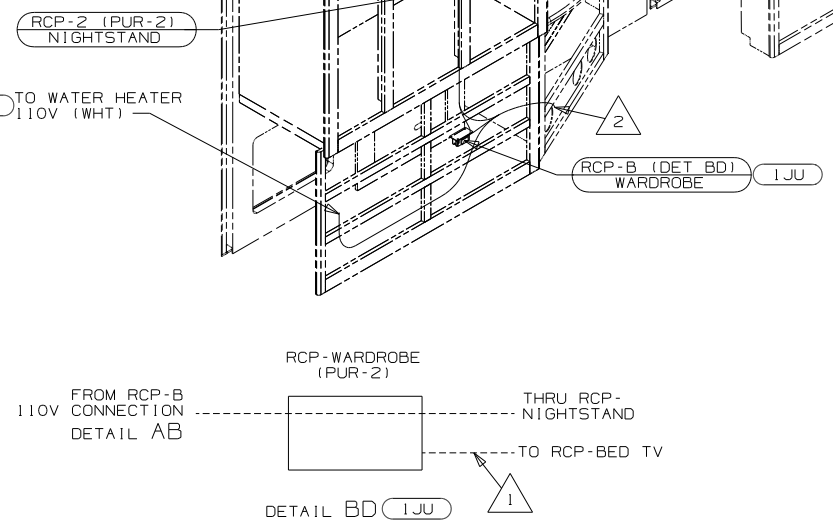
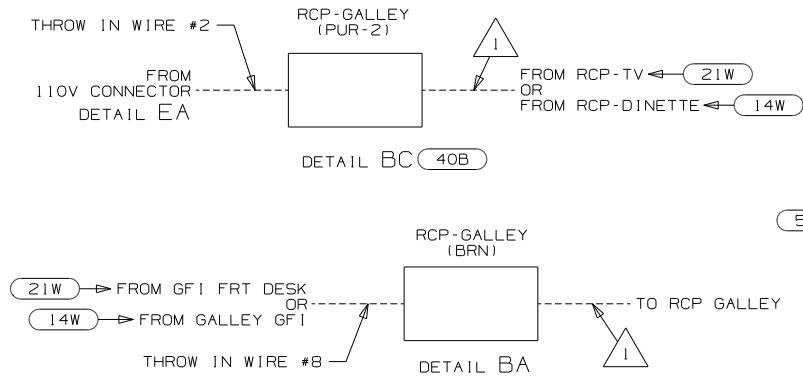
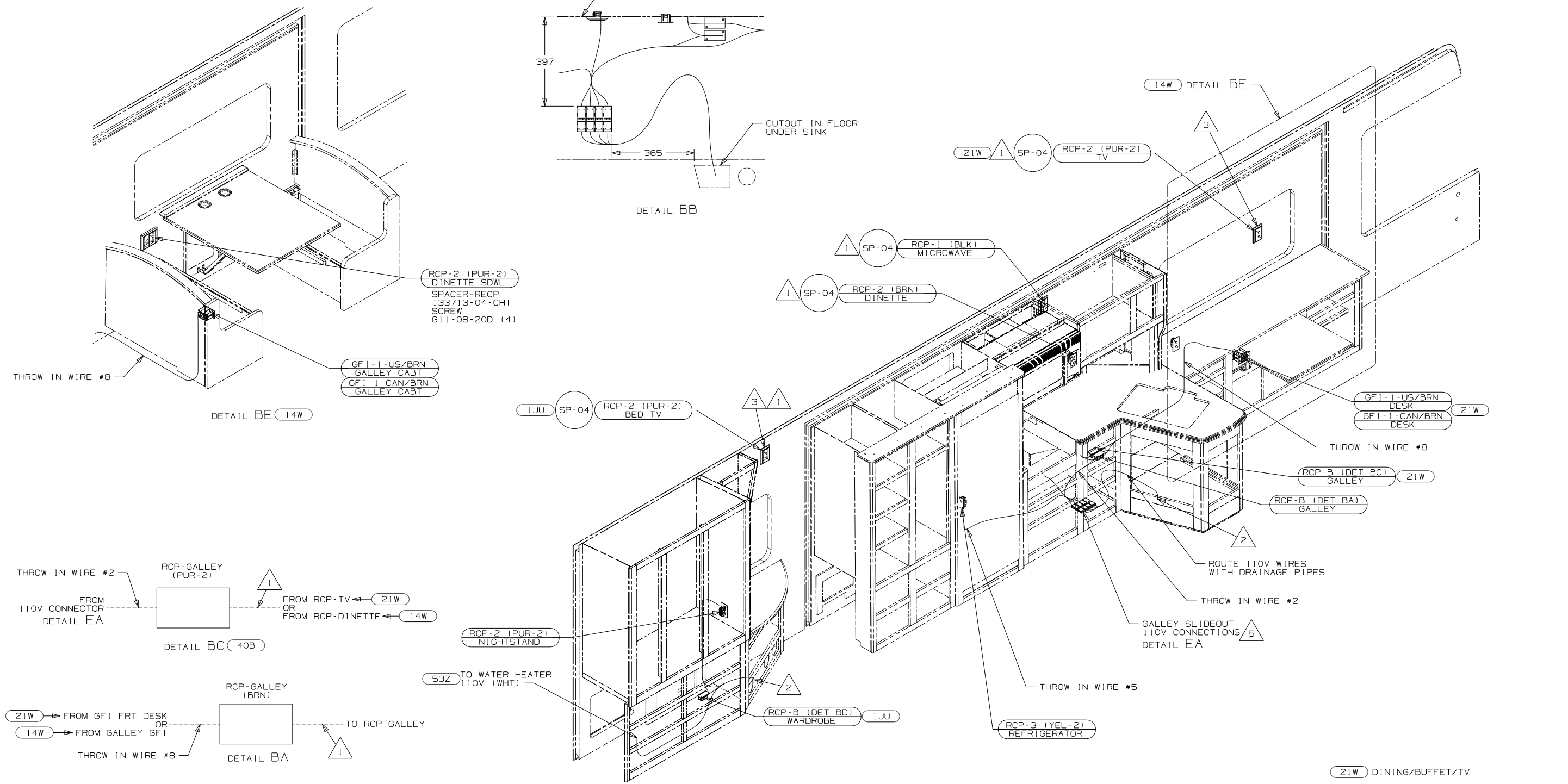
TITLE: WIRING INSTL-BODY, 110V

SHEET 1 OF 5 PART NO 175628 REV

REF: 1 12/30/2010

FOR ELECTRICAL TORQUE SPECIFICATIONS SEE DWG NO. 128783-01-000

(X-X) FOR ELECTRICAL CALLOUTS SEE DWG NO. 121339-01-000



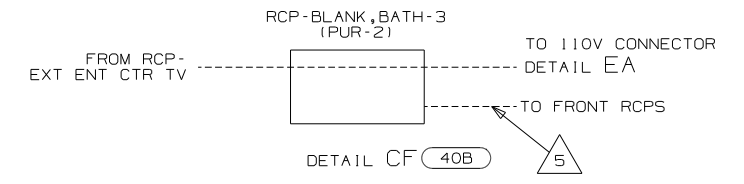
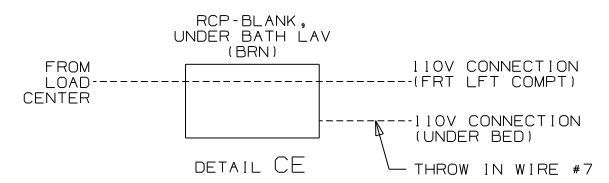
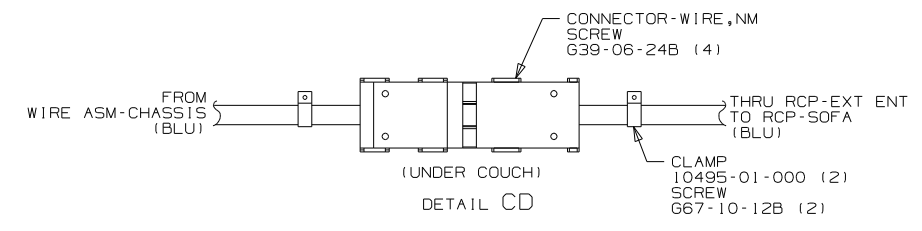
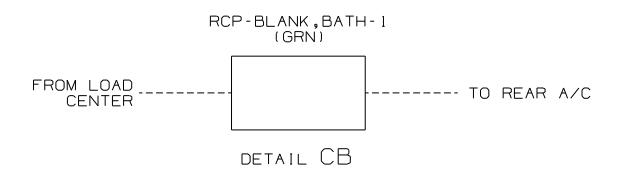
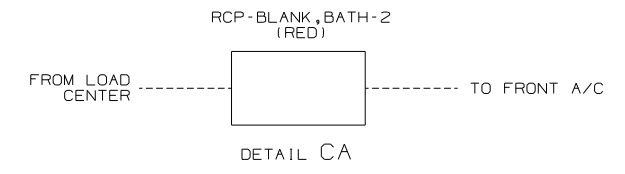
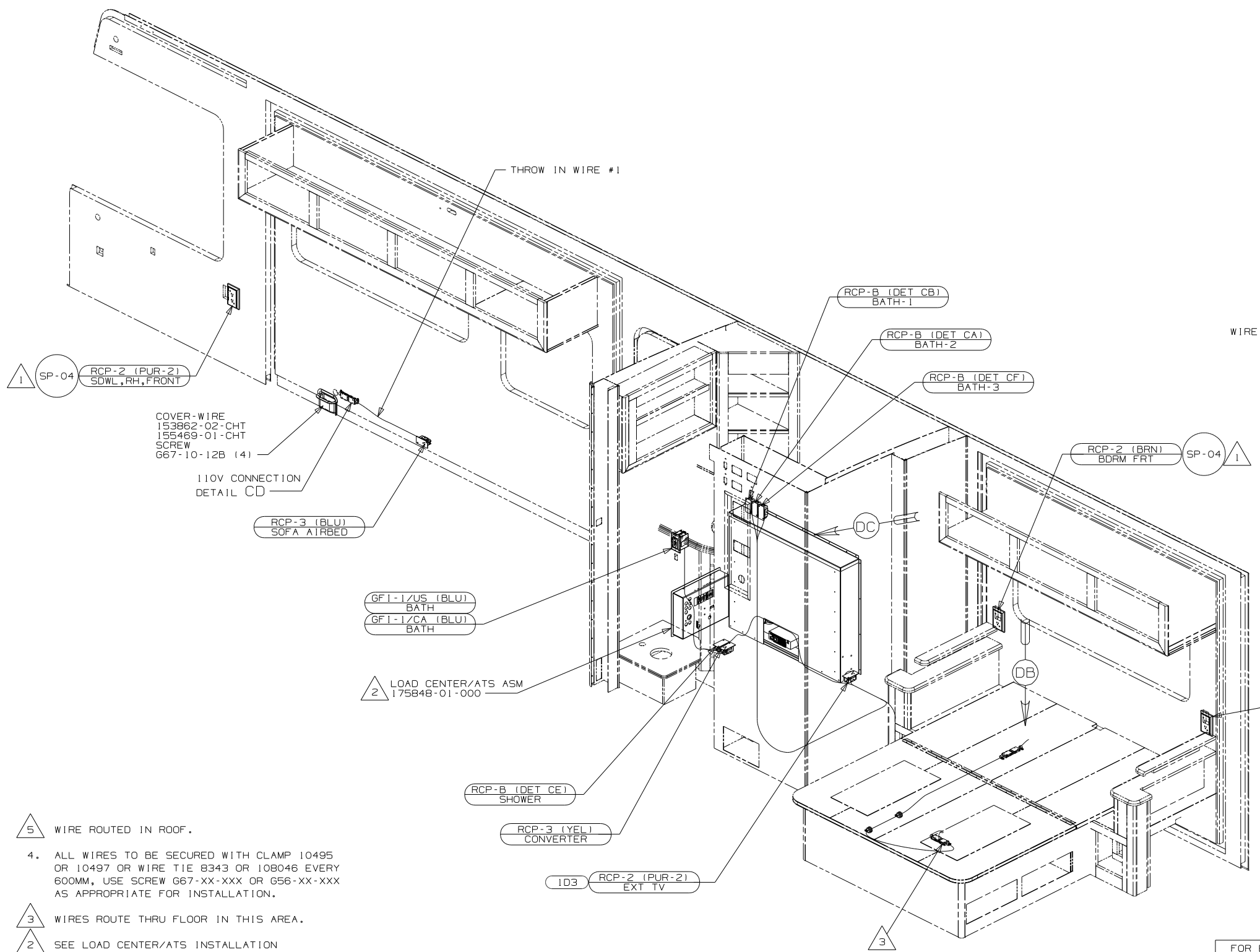
- NOTES:**
- 5 LOCATING DIMENSION SEE DETAIL BB.
 - 4. ALL WIRES TO BE SECURED WITH CLAMP 10495 OR 10497 OR WIRE TIE 8343 OR 108046 EVERY 600MM, USE SCREW G67-XX-XXX OR G56-XX-XXX AS APPROPRIATE FOR INSTALLATION.
 - 3 SEE WIRING INSTALLATION TV/DVD FOR ADDITIONAL INFORMATION.
 - 2 WIRE ROUTES THRU FLOOR IN THIS AREA.
 - 1 WIRE ROUTED IN SIDEWALL

- 21W DINING/BUFFET/TV
- 14W DINETTE
- 1JU TV (REAR)-19"COLOR, STEREO
- 265 CODES/STANDARDS-CSA/CMVSS
- 1B1 CODES/STANDARDS USA

FOR ELECTRICAL TORQUE SPECIFICATIONS SEE DWG NO. 128783-01-000

X-X FOR ELECTRICAL CALLOUTS SEE DWG NO. 121339-01-000

FIRST USED	11 D33C
TITLE	DO NOT SCALE DRAWING
	WIRING INSTL-BODY, 110V
SHEET 2	PART NO 175628 REV



COVER-WIRE
153862-02-CHT
155469-01-CHT
SCREW
667-10-12B (4)

110V CONNECTION
DETAIL CD

RCP-3 (BLU)
SOFA AIRBED

GF1-1/US (BLU)
BATH
GF1-1/CA (BLU)
BATH

LOAD CENTER/ATS ASM
175848-01-000

RCP-B (DET CE)
SHOWER

RCP-3 (YEL)
CONVERTER

103 RCP-2 (PUR-2)
EXT TV

5 WIRE ROUTED IN ROOF.

4. ALL WIRES TO BE SECURED WITH CLAMP 10495 OR 10497 OR WIRE TIE 8343 OR 108046 EVERY 600MM, USE SCREW 667-XX-XXX OR 656-XX-XXX AS APPROPRIATE FOR INSTALLATION.

3 WIRES ROUTE THRU FLOOR IN THIS AREA.

2 SEE LOAD CENTER/ATS INSTALLATION FOR ADDITIONAL INFORMATION.

1 WIRE ROUTED IN SIDEWALL.

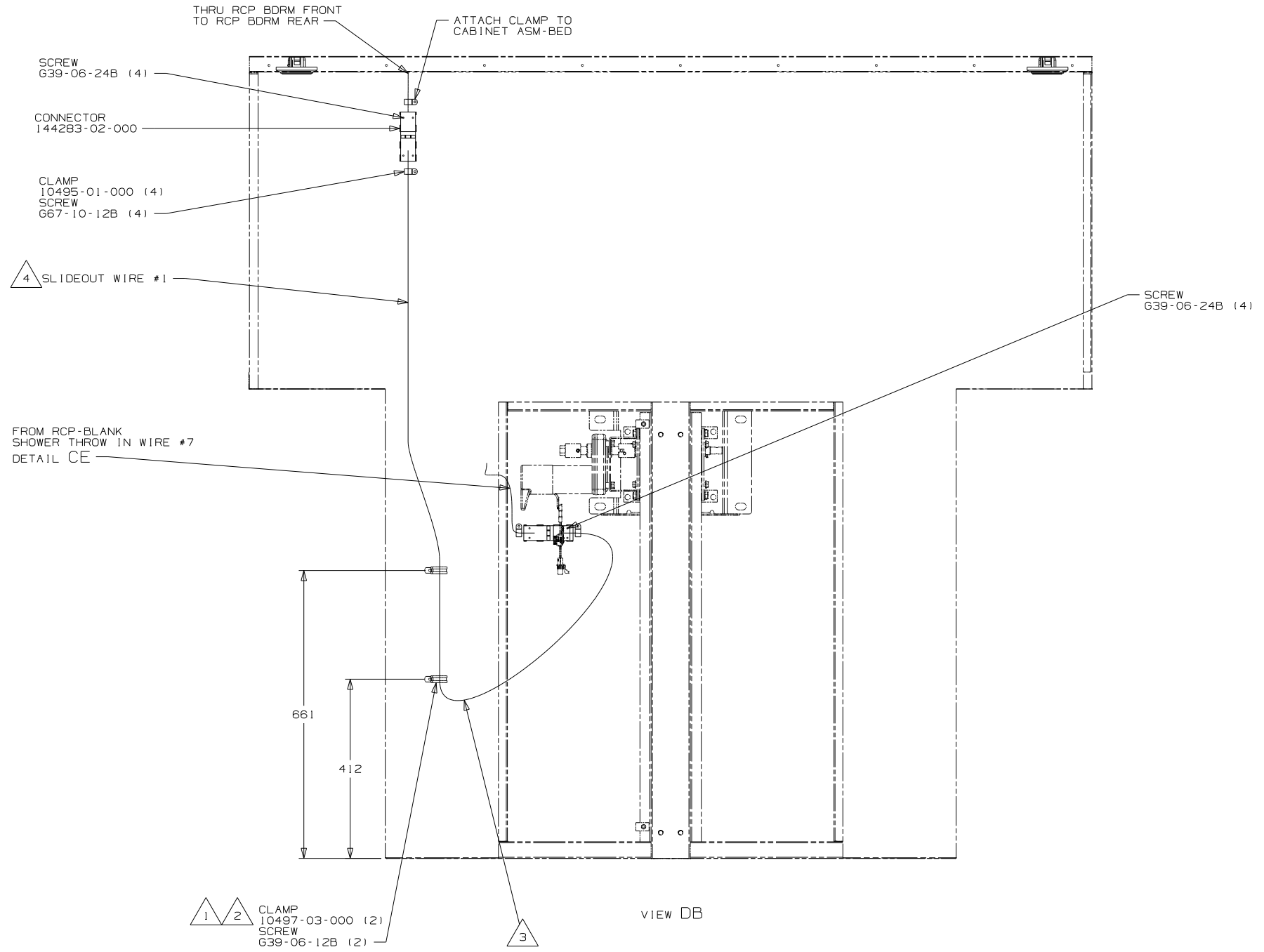
NOTES:

FOR ELECTRICAL TORQUE SPECIFICATIONS SEE DWG NO. 128783-01-000

FOR ELECTRICAL CALLOUTS SEE DWG NO. 121339-01-000

- 40A INVERTER-DC/AC WITHOUT
- 103 ENTERTAIN CENTR/EXT TV-DVD
- 265 CODES/STANDARDS-CSA/CMVSS
- 1B1 CODES/STANDARDS USA

FIRST USED	11 D33C
TITLE	DO NOT SCALE DRAWING
TITLE	WIRING INSTL-BODY, 110V
SHEET 3	PART NO 175628 REV



- NOTES:
- 4 SEE LOAD CENTER/ATS ASM FOR ADDITIONAL INFORMATION.
 - 3 MAKE LOOP AS SMALL AS POSSIBLE WHEN SLIDEOUT IS COMPLETELY RETRACTED.
 - 2 RUN 12V WIRE ALONG WITH SLIDEOUT WIRE #3.
 - 1 WIRE MUST BE ROUTED THROUGH CLAMPS AS SHOWN.

265 CODES/STANDARDS-CSA/CMVSS
 1B1 CODES/STANDARDS USA

1B1 265

FOR ELECTRICAL TORQUE SPECIFICATIONS SEE DWG NO. 128783-01-000

X-X FOR ELECTRICAL CALLOUTS SEE DWG NO. 121339-01-000

FIRST USED	11 D33C
DO NOT SCALE DRAWING	
TITLE	WIRING INSTL-BODY, 110V
SHEET 4	PART NO 175628 REV

8

7

6

5

4

3

2

1

D

D

C

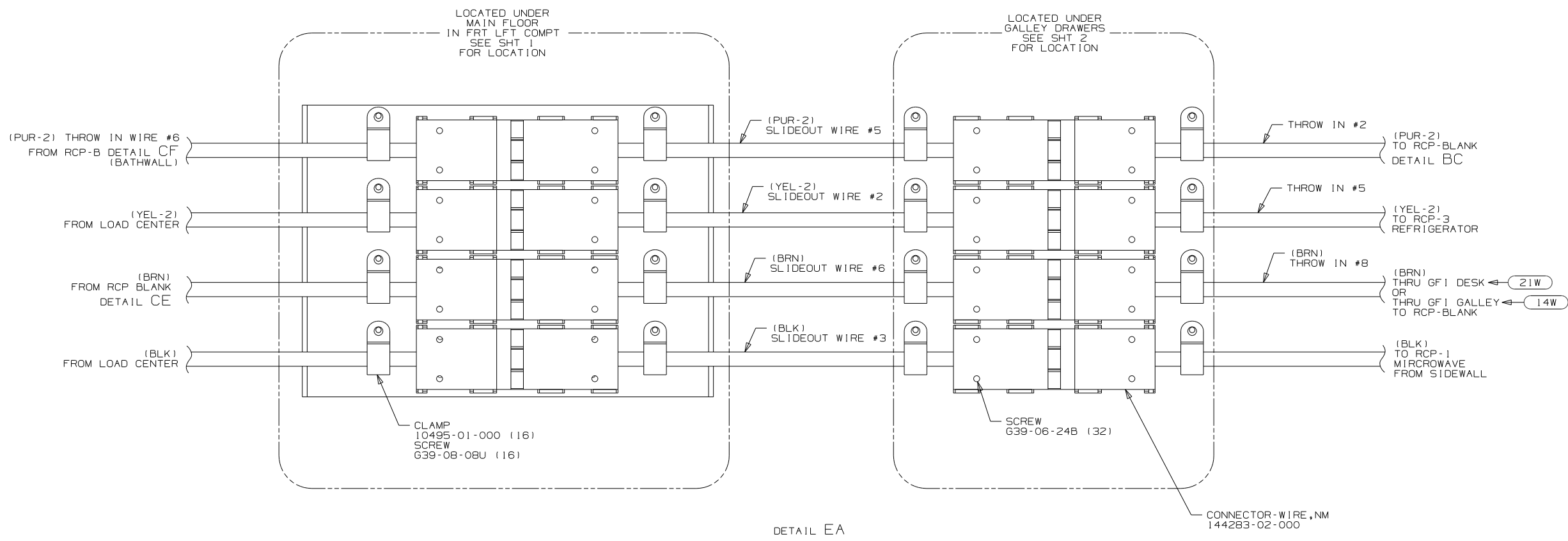
C

B

B

A

A



- (21W) DINING/BUFFET/TV
- (14W) DINETTE
- (265) CODES/STANDARDS - CSA/CMVSS
- (1B1) CODES/STANDARDS USA

(1B1)	(265)
FIRST USED	
11 D33C	
DO NOT SCALE DRAWING	
TITLE:	
WIRING INSTL - BODY, 110V	
SHEET 5	PART NO 175628 REV

FOR ELECTRICAL TORQUE SPECIFICATIONS SEE DWG NO. 128783-01-000

(X-X) FOR ELECTRICAL CALLOUTS SEE DWG NO. 121339-01-000

8

7

6

5

4

3

2

1 12/30/2010