



DANGER

Danger of electrical shock, burns or death. Always remove all power sources before attempting any repair, service or diagnostic work. Power can be present from shore power, generator, inverter or battery. All power sources must be disabled and secured before performing any service.

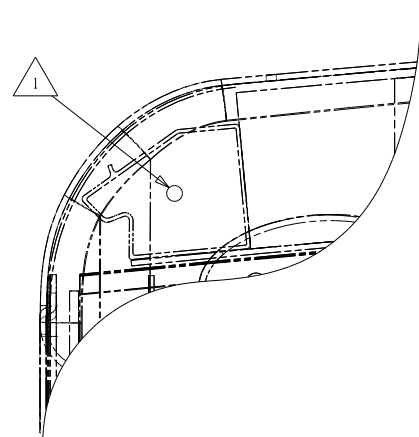
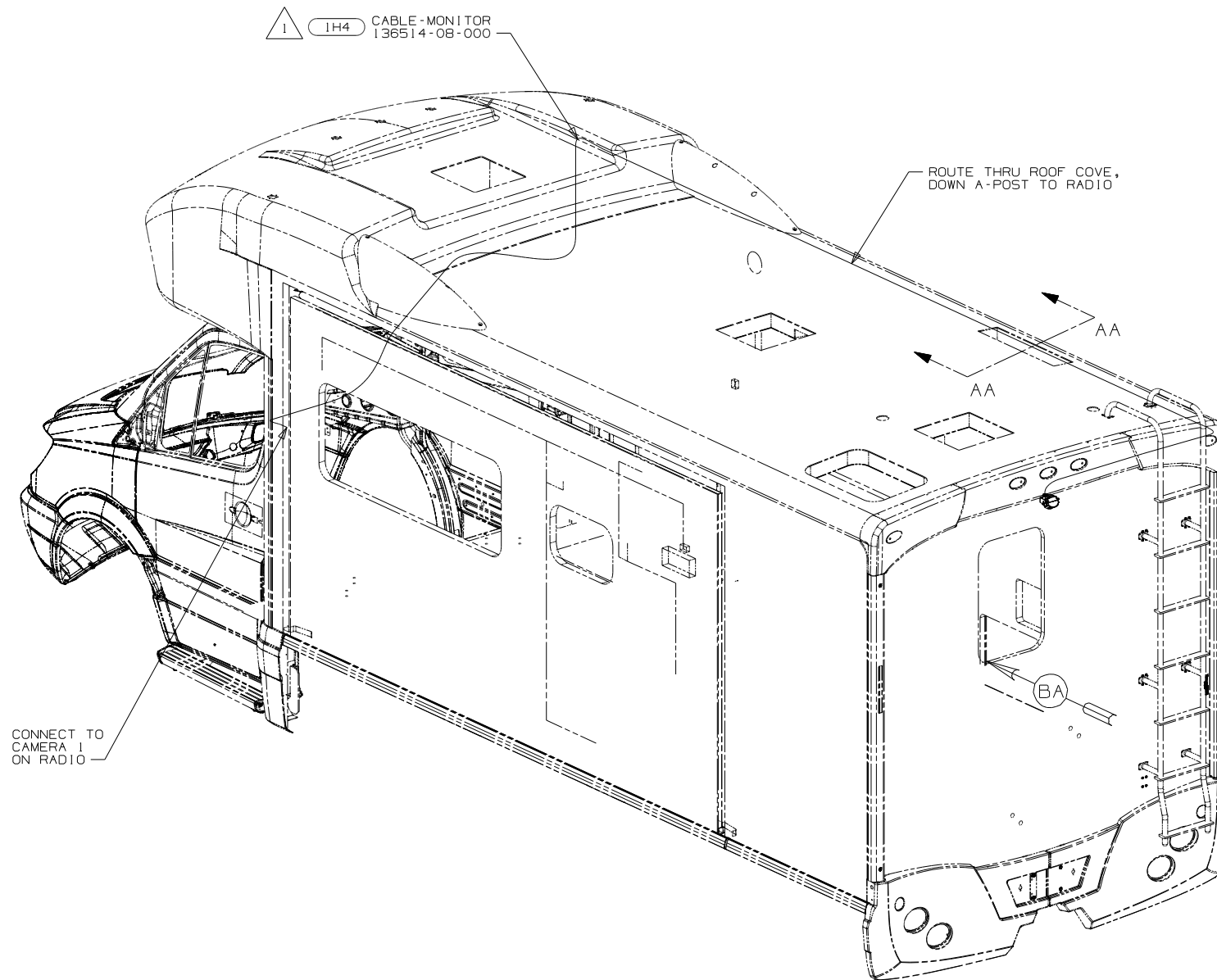


CAUTION

If you lack the skills, tools or equipment to perform diagnostic or repair work leave such work to an authorized Winnebago Industries dealer or other qualified shop.

| DRAWING NO. | MODEL | SHEETS |
|-------------|------------------|--------|
| 175554-01 | 524K, 524J, 524A | 1, 2 |
| 175554-02 | 524G | 3, 4 |

| | | | |
|----------|-----------------|--------|-----------|
| RELEASE | REV DATE | DWG NO | 175554 |
| REV ZONE | REVISION RECORD | DATE | DFTR ORIG |



SECTION AA-AA

- 1H4 REARVIEW MONITOR-WIRE PREP
- 19R RADIO/REARVIEW MONITOR SYS
- 265 CODES/STANDARDS-CSA/CMVSS
- 1B1 CODES/STANDARDS USA

1B1 265 19R

WINNEBAGO COPYRIGHT 2010
WINNEBAGO INDUSTRIES, INC.

| | |
|------|-----------------------------------|
| DFTR | ORIG. DATE |
| CHKR | ALL DIMENSIONS ARE IN MILLIMETERS |
| P.E. | |
| M.E. | FIRST USED |
| DSNR | 11 500-SERIES |

| | |
|-----------------------------|-----------|
| UNSPECIFIED TOLERANCES ARE: | MATERIAL: |
| HOLE DIM (X) : 3 | |
| ONE-PLACE (X.X) : 1.5 | |
| TWO-PLACE (X.XX) : 0.50 | |
| ANGLE : 1° | |
| THIRD ANGLE PROJECTION | |

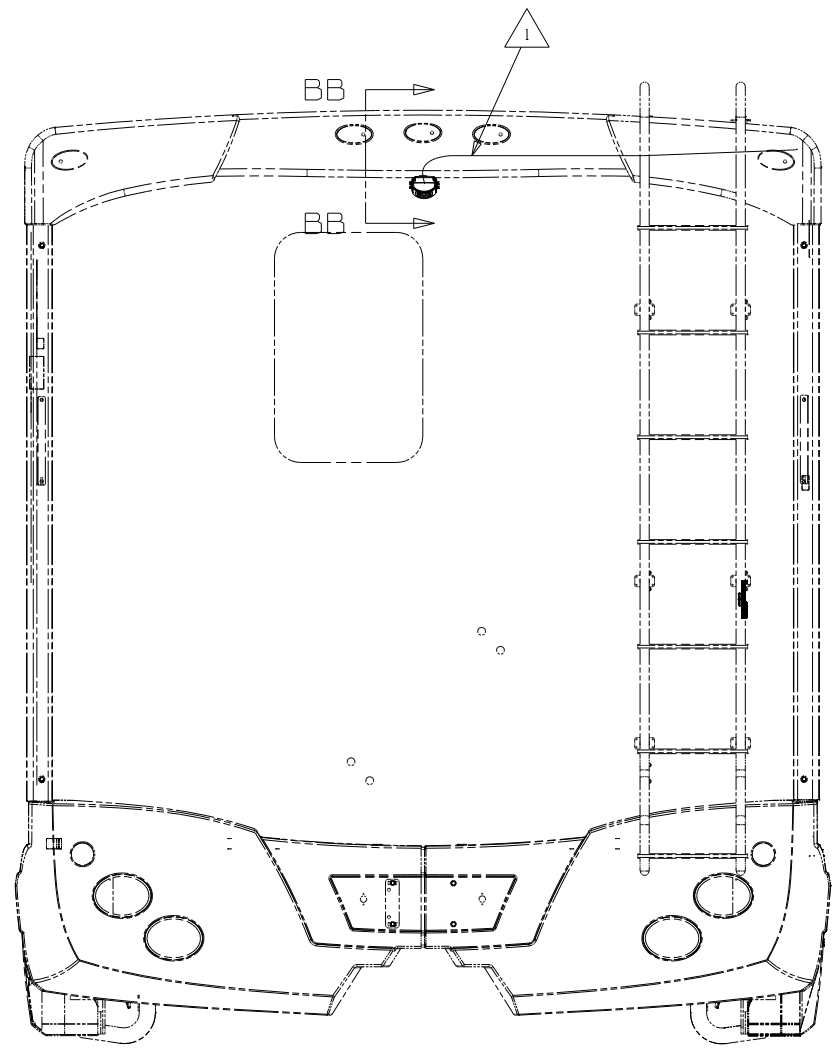
FOR ELECTRICAL TORQUE SPECIFICATIONS SEE DWG NO. 128783-01-000

FOR ELECTRICAL CALLOUTS SEE DWG NO. 121339-01-000

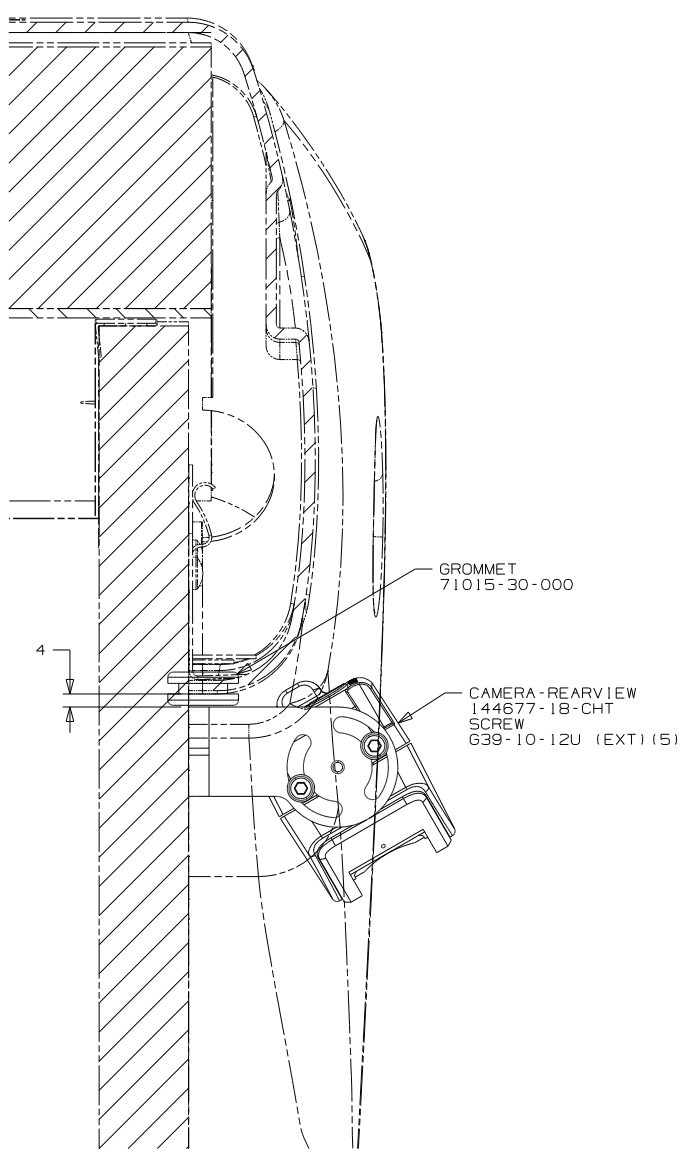
DO NOT SCALE DRAWING

| | |
|--------------|----------------|
| TITLE: | MONITOR INSTL |
| SHEET 1 of 4 | PART NO 175554 |

NOTES:
1 RUN MONITOR CABLE IN ROOF COVE ON LEFT SIDE OF COACH.



VIEW BA



SECTION BB-BB

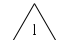
- (1H4) REARVIEW MONITOR-WIRE PREP
- (19R) RADIO/REARVIEW MONITOR SYS
- (265) CODES/STANDARDS-CSA/CMVSS
- (1B1) CODES/STANDARDS USA

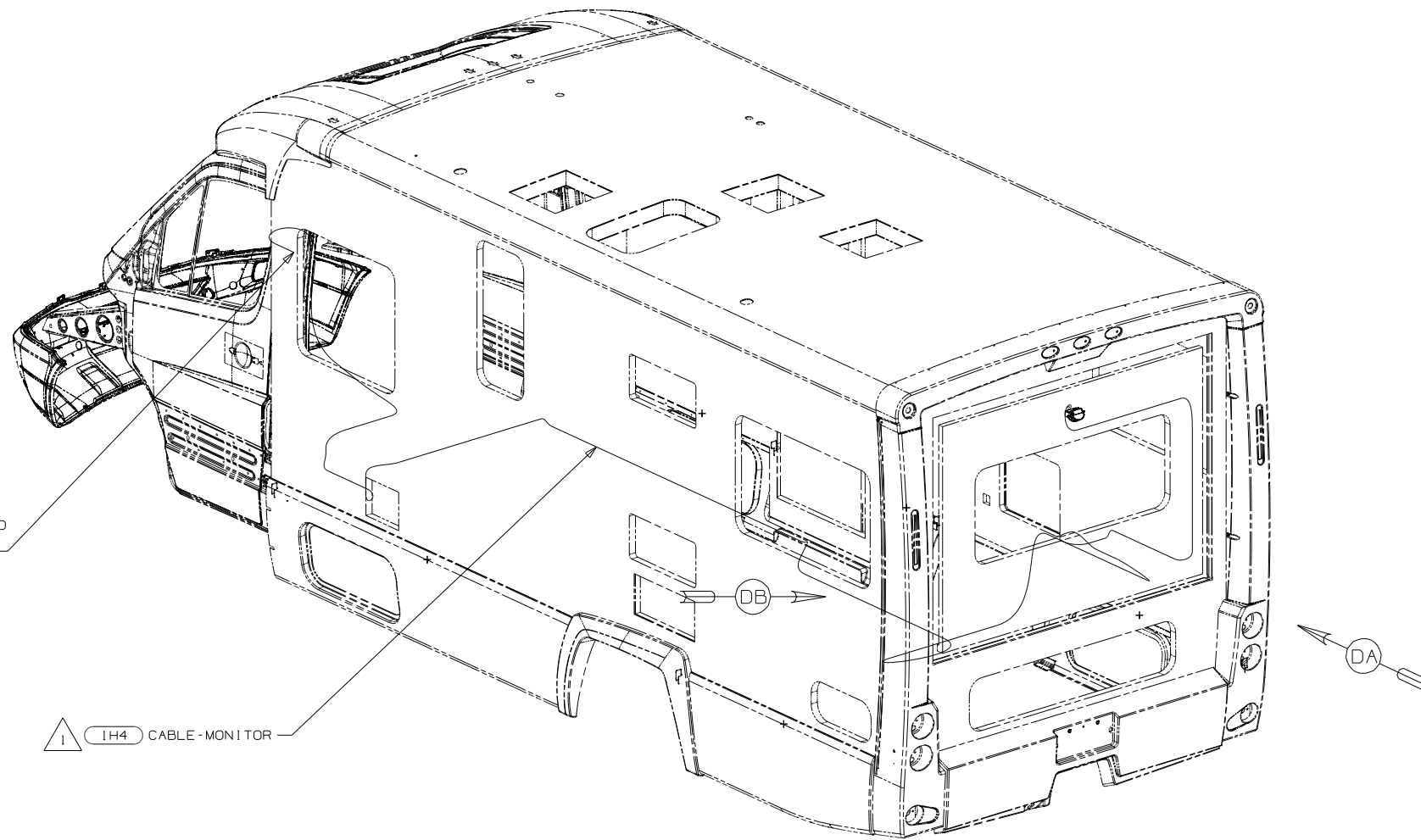
(1B1) (265) (19R)

| | |
|----------------------|--------------------|
| FIRST USED | |
| 11 500-SERIES | |
| DO NOT SCALE DRAWING | |
| TITLE: MONITOR INSTL | |
| SHEET 2 | PART NO 175554 REV |

FOR ELECTRICAL TORQUE SPECIFICATIONS SEE DWG NO. 128783-01-000

FOR ELECTRICAL CALLOUTS SEE DWG NO. 121339-01-000

NOTES:  END CABLE IN THIS AREA ON UNITS WITHOUT MONITOR WITH (1H4)



CONNECT TO
CAMERA 1
ON RADIO

1H4 CABLE-MONITOR

DB

DA

1 REAR MONITOR CABLE IS PART OF WIRE ASM-CHASSIS.

NOTES:

- 1H4 REARVIEW MONITOR-WIRE PREP
- 19R RADIO/REARVIEW MONITOR SYS
- 265 CODES/STANDARDS-CSA/CMVSS
- 1B1 CODES/STANDARDS USA

1B1 265 19R

FOR ELECTRICAL
TORQUE
SPECIFICATIONS
SEE DWG NO.
128783-01-000

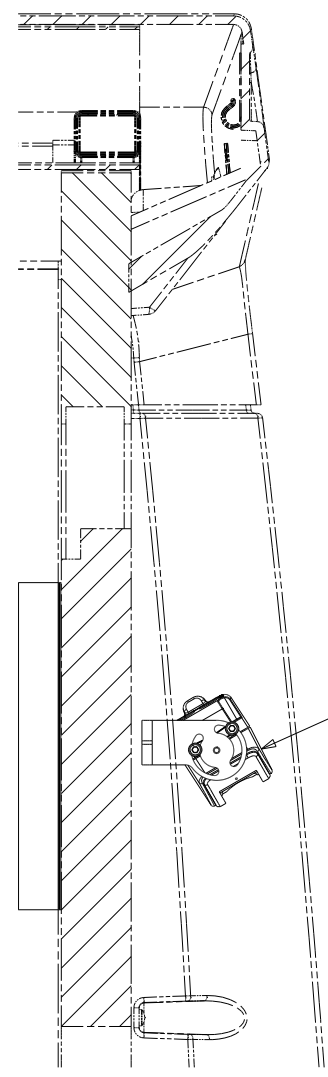
X-X
FOR
ELECTRICAL
CALLOUTS
SEE DWG NO.
121339-01-000

FIRST USED
11 500-SERIES

DO NOT SCALE DRAWING

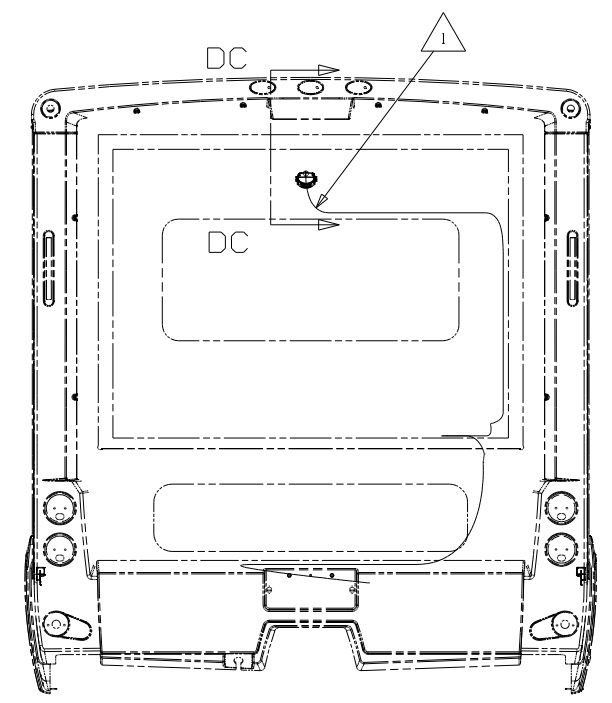
TITLE:
MONITOR INSTL

SHEET 3 PART NO 175554 REV

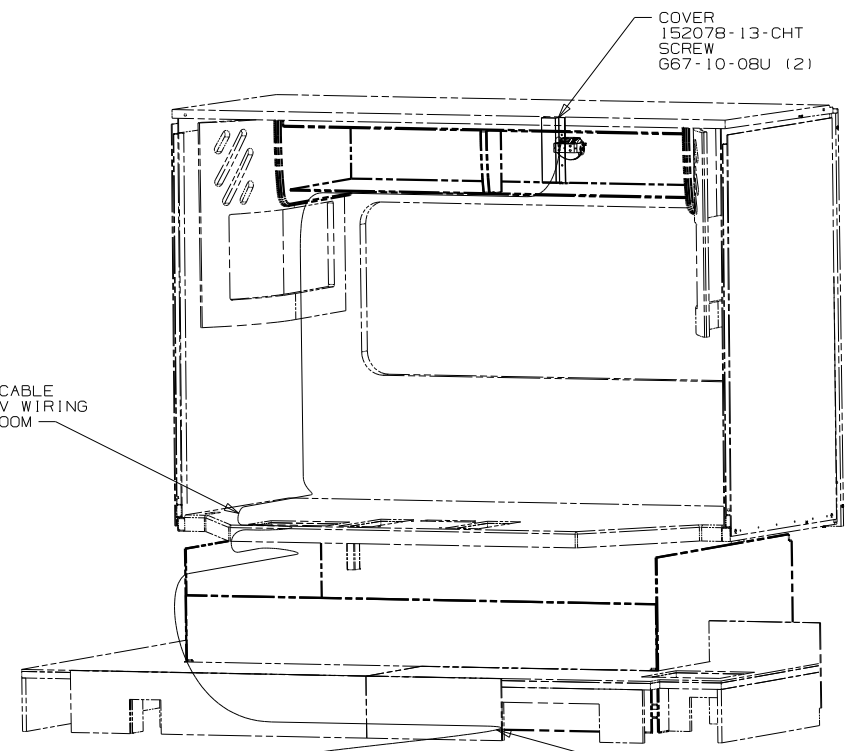


CAMERA - REARVIEW
144677-1B-CHT
SCREW
G39-10-12U (EXT) (5)

SECTION DC-DC



VIEW DA



VIEW DB

ROUTE CAMERA CABLE
ALONG WITH 12V WIRING
TO SLIDEOUT ROOM

COVER
152078-13-CHT
SCREW
G67-10-08U (2)

ROUTE CAMERA CABLE
THROUGH FLOOR
IN THIS AREA

NOTES:
1 END CABLE IN THIS AREA ON UNITS WITHOUT MONITOR WITH 1H4

- 1H4 REARVIEW MONITOR-WIRE PREP
- 19R RADIO/REARVIEW MONITOR SYS
- 265 CODES/STANDARDS-CSA/CMVSS
- 1B1 CODES/STANDARDS USA

1B1 265 19R

FIRST USED
11 500-SERIES

DO NOT SCALE DRAWING

TITLE:
MONITOR INSTL

SHEET 4 PART NO 175554 REV

FOR ELECTRICAL
TORQUE
SPECIFICATIONS
SEE DWG NO.
128783-01-000

X-X
FOR
ELECTRICAL
CALLOUTS
SEE DWG NO.
121339-01-000