



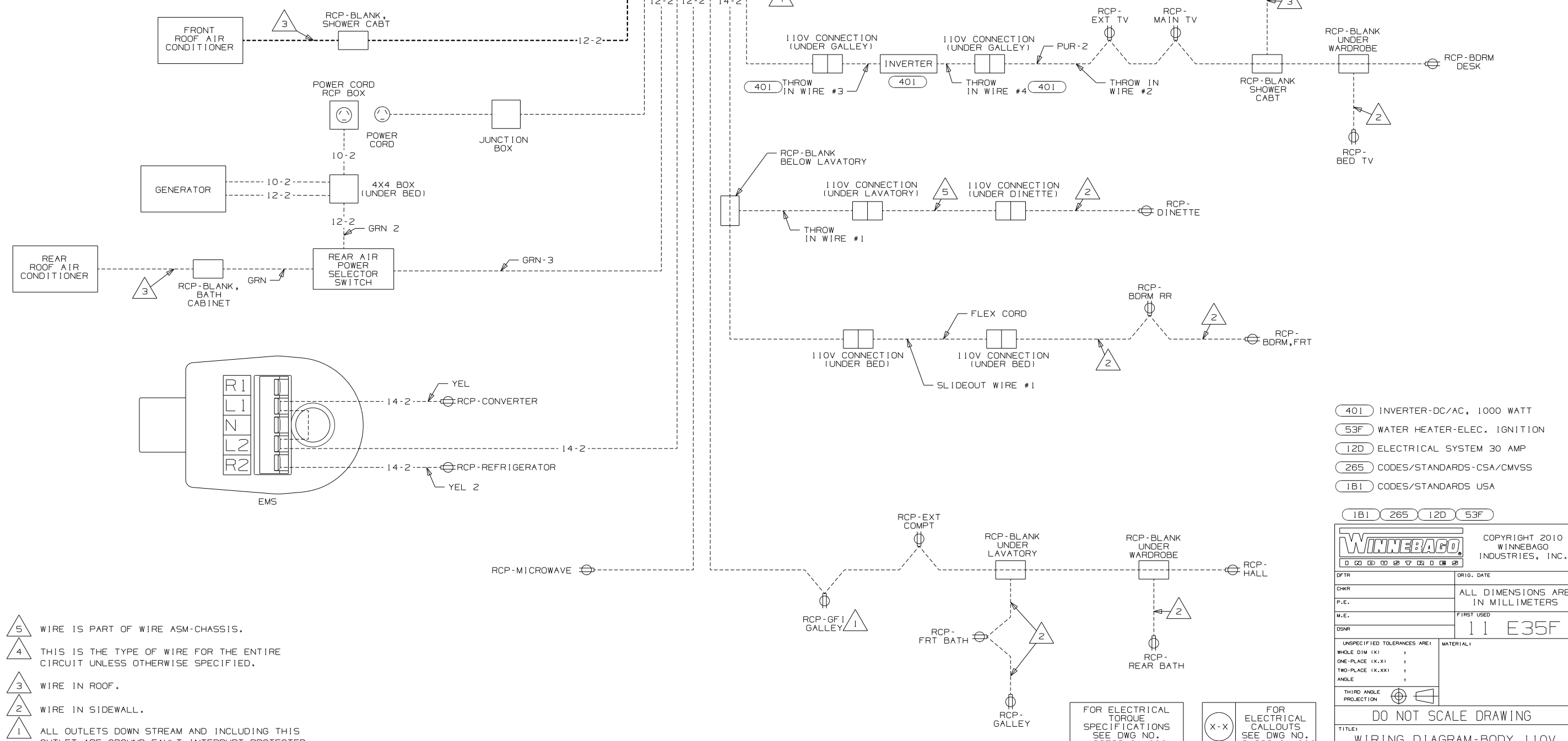
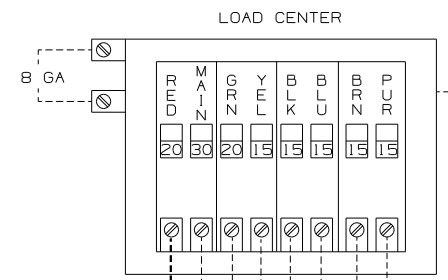
DANGER

Danger of electrical shock, burns or death. Always remove all power sources before attempting any repair, service or diagnostic work. Power can be present from shore power, generator, inverter or battery. All power sources must be disabled and secured before performing any service.



CAUTION

If you lack the skills, tools or equipment to perform diagnostic or repair work leave such work to an authorized Winnebago Industries dealer or other qualified shop.



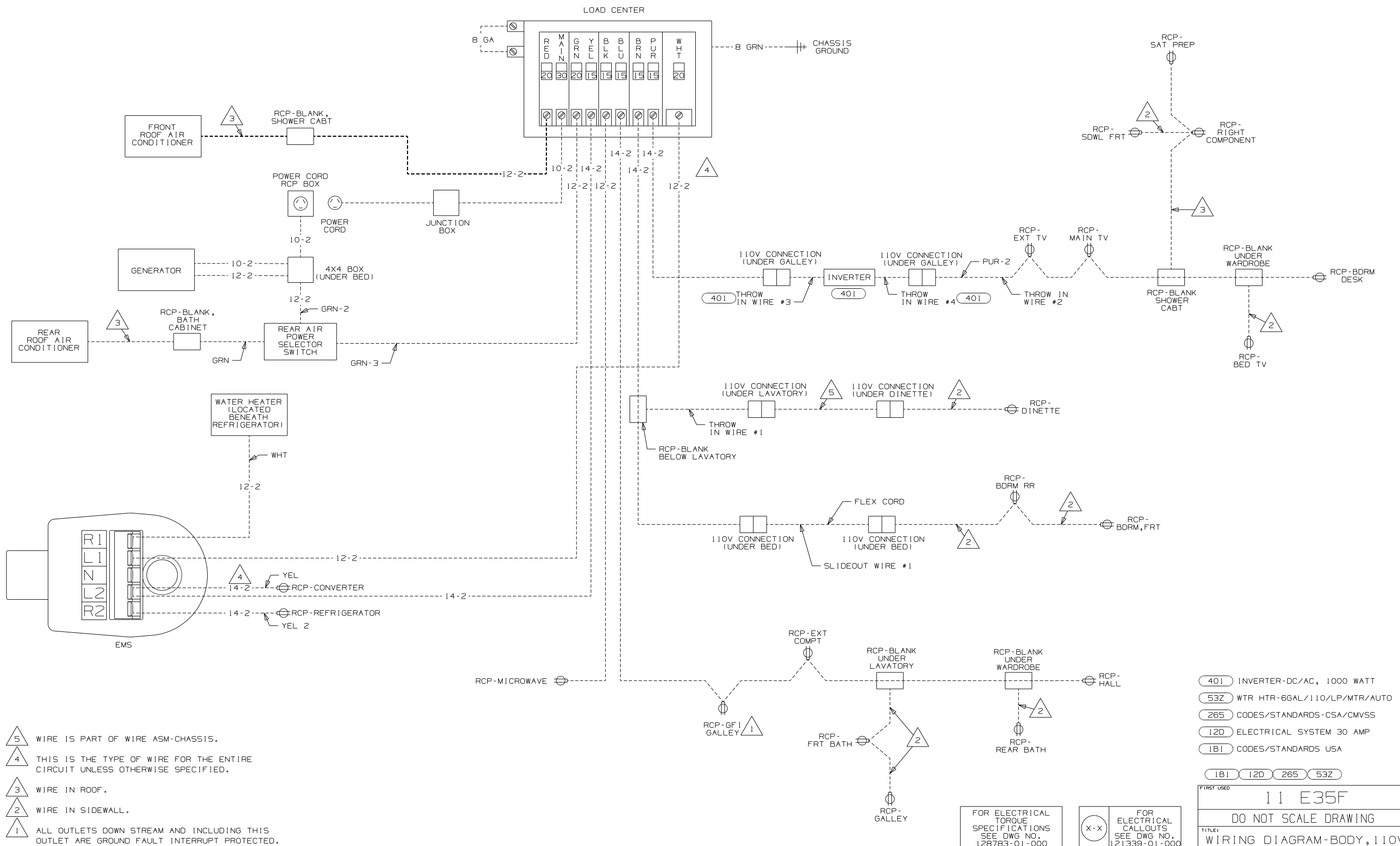
- (401) INVERTER-DC/AC, 1000 WATT
- (53F) WATER HEATER-ELEC. IGNITION
- (12D) ELECTRICAL SYSTEM 30 AMP
- (265) CODES/STANDARDS-CSA/CMVSS
- (1B1) CODES/STANDARDS USA

WINNEBAGO		COPYRIGHT 2010 WINNEBAGO INDUSTRIES, INC.	
DFTR	ORIG. DATE	ALL DIMENSIONS ARE IN MILLIMETERS	
CHKR			
P.E.			
M.E.	FIRST USED	11 E35F	
DSNR			
UNSPECIFIED TOLERANCES ARE:	MATERIAL:		
WHOLE DIM (X.X)	:		
ONE-PLACE (X.X.X)	:		
TWO-PLACE (X.XX)	:		
ANGLE	:		
THIRD ANGLE PROJECTION			
DO NOT SCALE DRAWING			
TITLE: WIRING DIAGRAM-BODY, 110V			
SHEET 1 of 4	PART NO	175015	REV

- NOTES:
- 5 WIRE IS PART OF WIRE ASM-CHASSIS.
 - 4 THIS IS THE TYPE OF WIRE FOR THE ENTIRE CIRCUIT UNLESS OTHERWISE SPECIFIED.
 - 3 WIRE IN ROOF.
 - 2 WIRE IN SIDEWALL.
 - 1 ALL OUTLETS DOWN STREAM AND INCLUDING THIS OUTLET ARE GROUND FAULT INTERRUPT PROTECTED.

FOR ELECTRICAL TORQUE SPECIFICATIONS SEE DWG NO. 128783-01-000

(X-X) FOR ELECTRICAL CALLOUTS SEE DWG NO. 121339-01-000



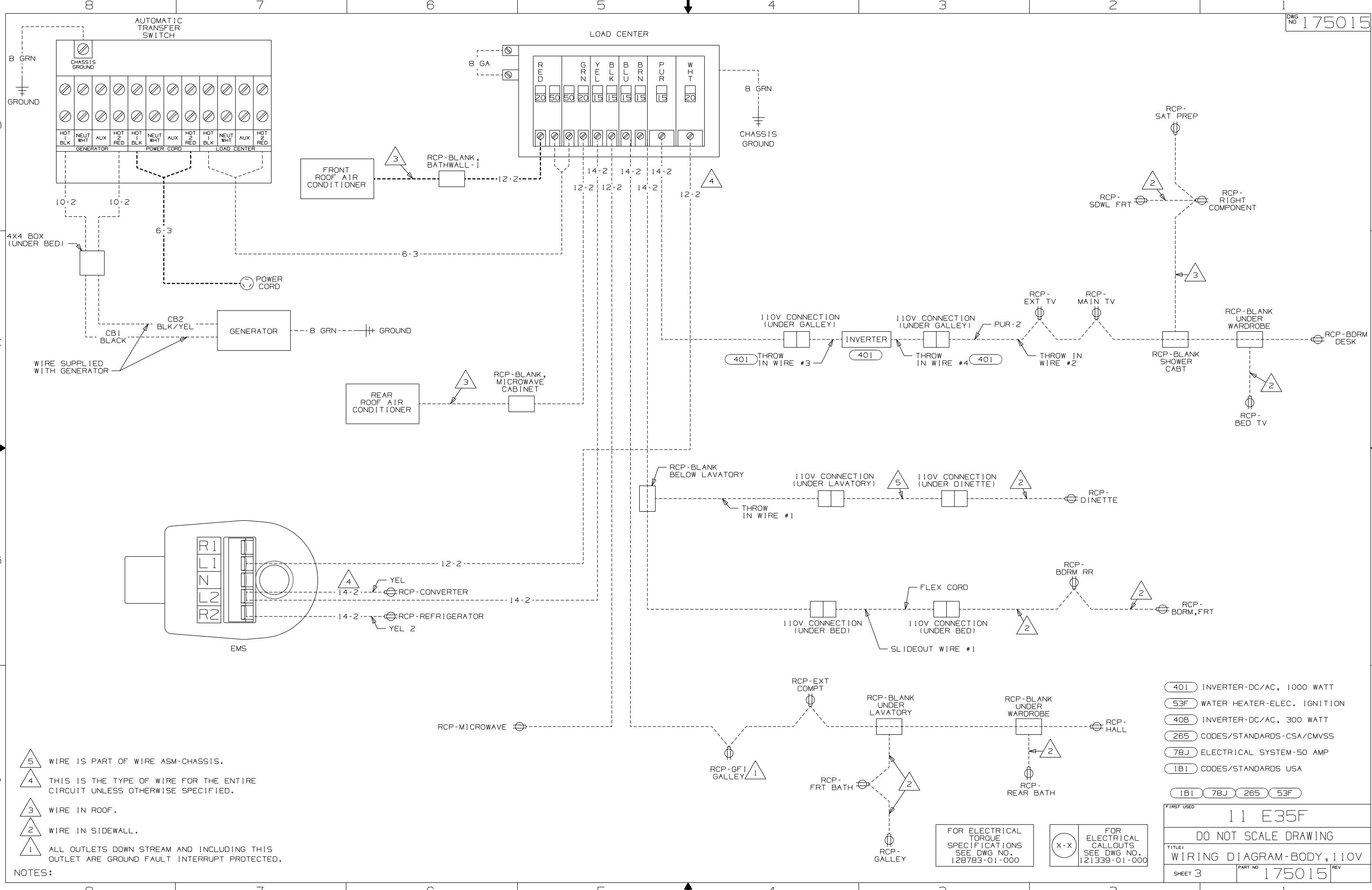
- NOTES:
- 5 WIRE IS PART OF WIRE ASM-CHASSIS.
 - 4 THIS IS THE TYPE OF WIRE FOR THE ENTIRE CIRCUIT UNLESS OTHERWISE SPECIFIED.
 - 3 WIRE IN ROOF.
 - 2 WIRE IN SIDEWALL.
 - 1 ALL OUTLETS DOWN STREAM AND INCLUDING THIS OUTLET ARE GROUND FAULT INTERRUPT PROTECTED.

- 401 INVERTER-DC/AC, 1000 WATT
- 53Z WTR HTR-6GAL/110/LP/MTR/AUTO
- 265 CODES/STANDARDS-CSA/CMVSS
- 12D ELECTRICAL SYSTEM 30 AMP
- 1B1 CODES/STANDARDS USA

FIRST USED	11 E35F
DO NOT SCALE DRAWING	
TITLE:	WIRING DIAGRAM-BODY, 110V
SHEET 2	PART NO 175015 REV

FOR ELECTRICAL TORQUE SPECIFICATIONS SEE DWG NO. 128783-01-000

FOR ELECTRICAL CALLOUTS SEE DWG NO. 121339-01-000



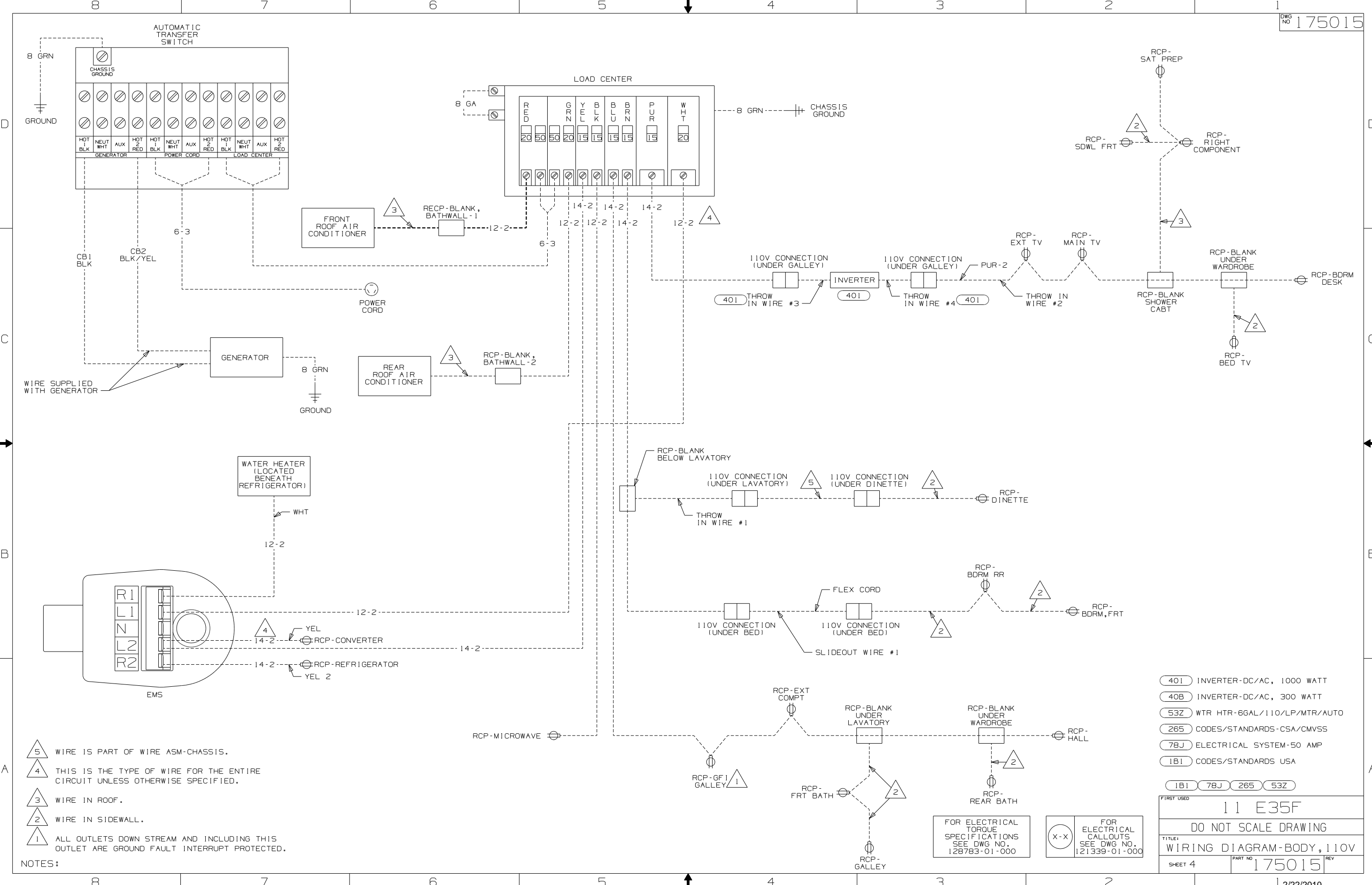
- NOTES:
- 5 WIRE IS PART OF WIRE ASM-CHASSIS.
 - 4 THIS IS THE TYPE OF WIRE FOR THE ENTIRE CIRCUIT UNLESS OTHERWISE SPECIFIED.
 - 3 WIRE IN ROOF.
 - 2 WIRE IN SIDEWALL.
 - 1 ALL OUTLETS DOWN STREAM AND INCLUDING THIS OUTLET ARE GROUND FAULT INTERRUPT PROTECTED.

- 401 INVERTER-DC/AC, 1000 WATT
- 53F WATER HEATER-ELEC. IGNITION
- 40B INVERTER-DC/AC, 300 WATT
- 265 CODES/STANDARDS-CSA/CMVSS
- 78J ELECTRICAL SYSTEM-50 AMP
- 1B1 CODES/STANDARDS USA

FOR ELECTRICAL TORQUE SPECIFICATIONS SEE DWG NO. 128783-01-000

FOR ELECTRICAL CALLOUTS SEE DWG NO. 121339-01-000

FIRST USED	11 E35F
DO NOT SCALE DRAWING	
TITLE:	WIRING DIAGRAM-BODY, 110V
SHEET 3	PART NO 175015 REV



- NOTES:
- 5 WIRE IS PART OF WIRE ASM-CHASSIS.
 - 4 THIS IS THE TYPE OF WIRE FOR THE ENTIRE CIRCUIT UNLESS OTHERWISE SPECIFIED.
 - 3 WIRE IN ROOF.
 - 2 WIRE IN SIDEWALL.
 - 1 ALL OUTLETS DOWN STREAM AND INCLUDING THIS OUTLET ARE GROUND FAULT INTERRUPT PROTECTED.

- (401) INVERTER-DC/AC, 1000 WATT
- (40B) INVERTER-DC/AC, 300 WATT
- (53Z) WTR HTR-6GAL/110/LP/MTR/AUTO
- (265) CODES/STANDARDS-CSA/CMVSS
- (78J) ELECTRICAL SYSTEM-50 AMP
- (1B1) CODES/STANDARDS USA

FIRST USED	11 E35F
DO NOT SCALE DRAWING	
TITLE:	WIRING DIAGRAM-BODY, 110V
SHEET 4	PART NO 175015 REV

FOR ELECTRICAL TORQUE SPECIFICATIONS SEE DWG NO. 128783-01-000

FOR ELECTRICAL CALLOUTS SEE DWG NO. 121339-01-000