

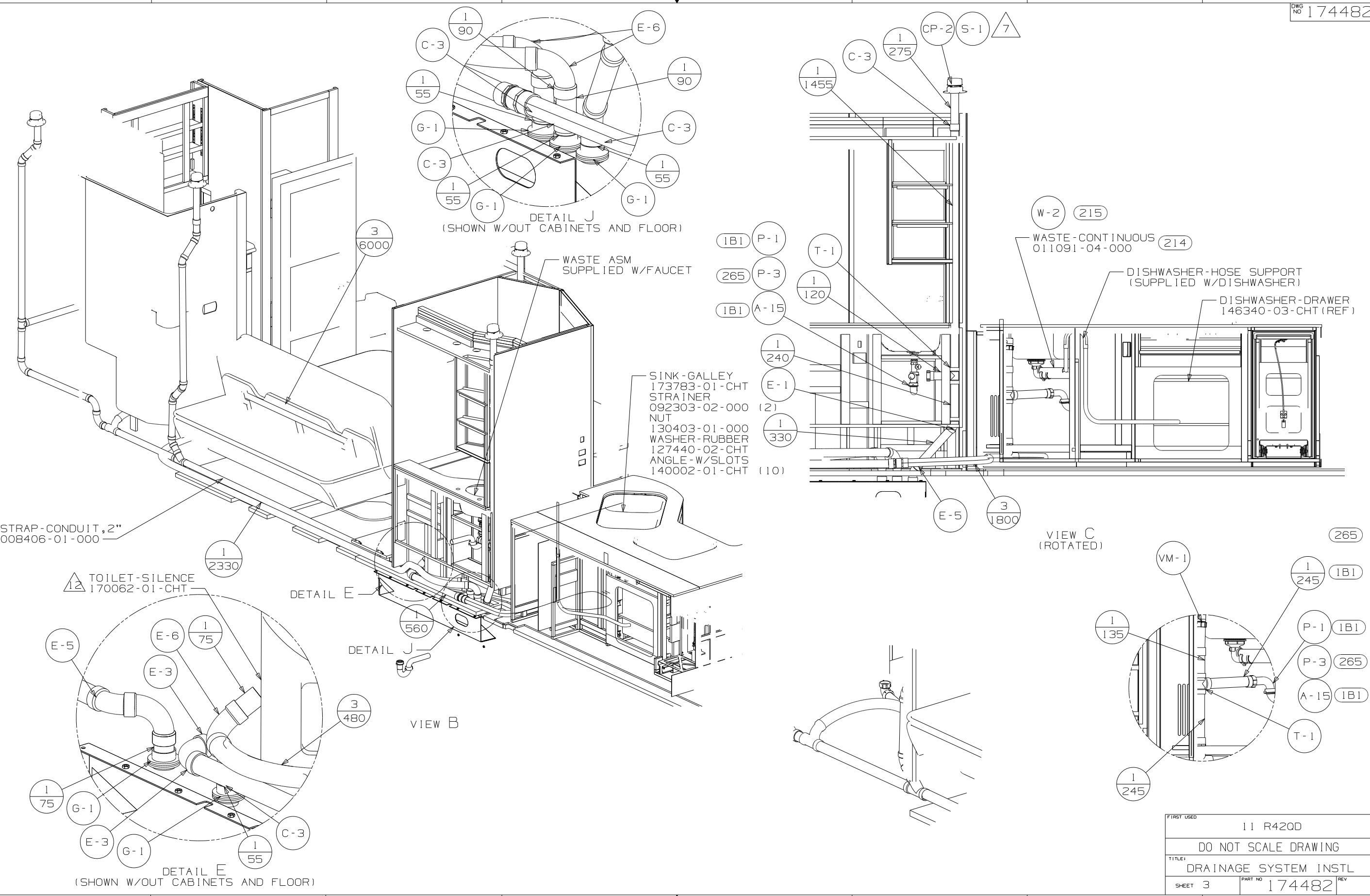
- (22A) VACUUM SYS-CENTRAL -WITHOUT
- (22T) VACUUM SYSTEM-CENTRAL
- (21S) WASHER/DRYER STACKED
- (1B1) CODES/STANDARDS USA
- (26S) CODES/STDS-CSA,CMVSS
- (21M) WASHER/DRYER PREP
- (214) DISHWASHER DRAWER STYLE
- (21S) DISHWASHER WITHOUT

- 12 REQUIRES 5 GALLONS RV ANTIFREEZE 157665-02-000 PER TOLIET. FOLLOW TECMA TOLIET WINTERIZATION PROCEDURE.
- 11 USE SMOOTH PLUMBERS PUTTY 167459-01-000 TO SEAL STRAINER (0.2 PER STRAINER).
 - 10 ATTACH TANK BRACKET TO RISER.
 - 9 APPLY PRIMER 126427-02-000 AND CEMENT 126427-01-000 BETWEEN ELBOW AND FLEX PIPE.
 - 8. SECURE DRAINAGE PIPES TO CABINET USING WIRE TIE 108046-02-000, AND SCREW 000G67-10-12B AT INTERVALS OF NOT OF NOT MORE THAN 4 FEET APART.
 - 7 SECURE VENT PIPE TO FLOOR WITH CLAMP 062401-02-000 (2),SCREW 000G67-10-12B (2), BRACKET 136878-01-CHT (2).
 - 6 VENT PIPE MUST PROJECT 51 MIN AND 64 MAX ABOVE ROOF FOR PROPER FIT AND FUNCTION.
 - 5. SEAL AROUND SHOWER WITH SILICONE.
 - 4 GLUE FITTING AFTER CABINET IS INSTALLED.
3. ALL PIPE AND FITTINGS TO BE ASSEMBLED WITH SOLVENT 004020-01-000 (USA), 004020-02-000 (CAN)
2. SLOPE OF TRAP ARM MUST BE 6 PER 305 mm.
1. SLOPE OF HORIZONTAL PIPING TO BE MINIMUM OF 3 PER 305 mm.

WINNEBAGO		COPYRIGHT 2011 WINNEBAGO INDUSTRIES, INC.	
DFTR	ORIG. DATE	ALL DIMENSIONS ARE IN MILLIMETERS	
CHKR		FIRST USED	
P.E.		11 R420D	
M.E.		UNSPECIFIED TOLERANCES ARE:	
DSNR		MATERIAL:	
		WHOLE DIM (X)	: 3
		ONE-PLACE (X.X)	: 1.5
		TWO-PLACE (X.XX)	: 0.50
		ANGLE	: 1°
		THIRD ANGLE PROJECTION	
DO NOT SCALE DRAWING		REFER TO ES0018 FOR FASTENER TIGHTENING GUIDELINES	
TITLE: DRAINAGE SYSTEM INSTL			
SHEET 1 OF 4	PART NO	174482	REV
REF:	1 5/31/2011		

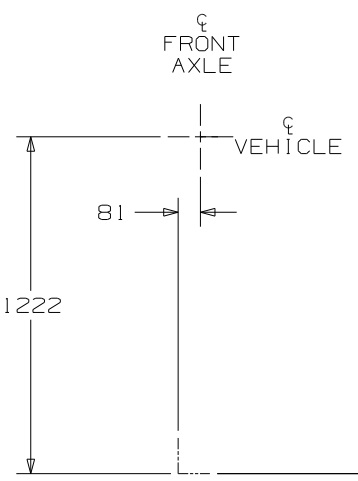
FOR
DRAINAGE
CALLOUTS
SEE DWG NO
116229-01-000

NOTES:



- SINK-GALLEY 173783-01-CHT
- STRAINER 092303-02-000
- NUT 130403-01-000
- WASHER-RUBBER 127440-02-CHT
- ANGLE-W/SLOTS 140002-01-CHT

FIRST USED	11 R420D
TITLE	DO NOT SCALE DRAWING
TITLE	DRAINAGE SYSTEM INSTL
SHEET 3	PART NO 174482 REV



(22T) BRACKET-ASM TANK
 163410-04-CHT
 158968-05-CHT

TANK ASM-HOLDING
 161224-06-000

PLATFORM-HOLDING TANK
 126714-49-000

TANK-HOLDING, 55 GAL
 174852-02-000

1422

5632

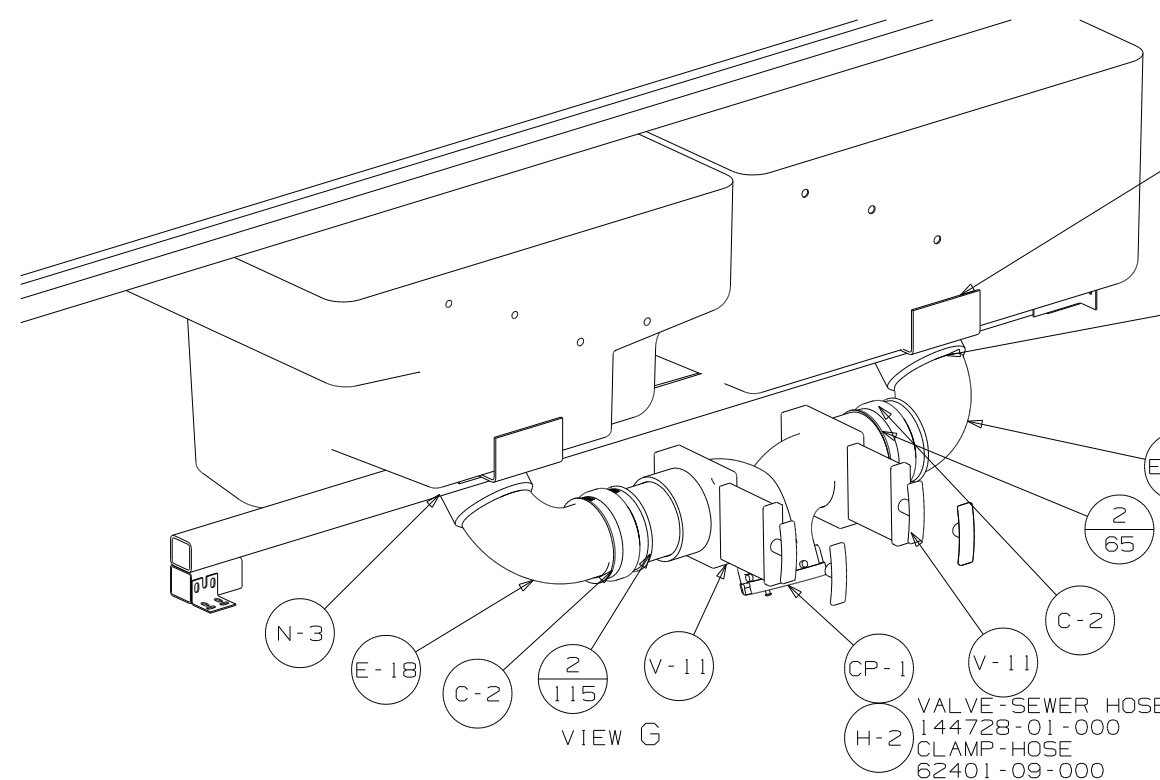
146

141

5408

6017

TOP VIEW SHOWING TANKS AND DRAINS



BRACKET-DRAINAGE TANK
 146080-02-CHT (2)

VALVE-SEWER HOSE
 144728-01-000
 CLAMP-HOSE
 62401-09-000

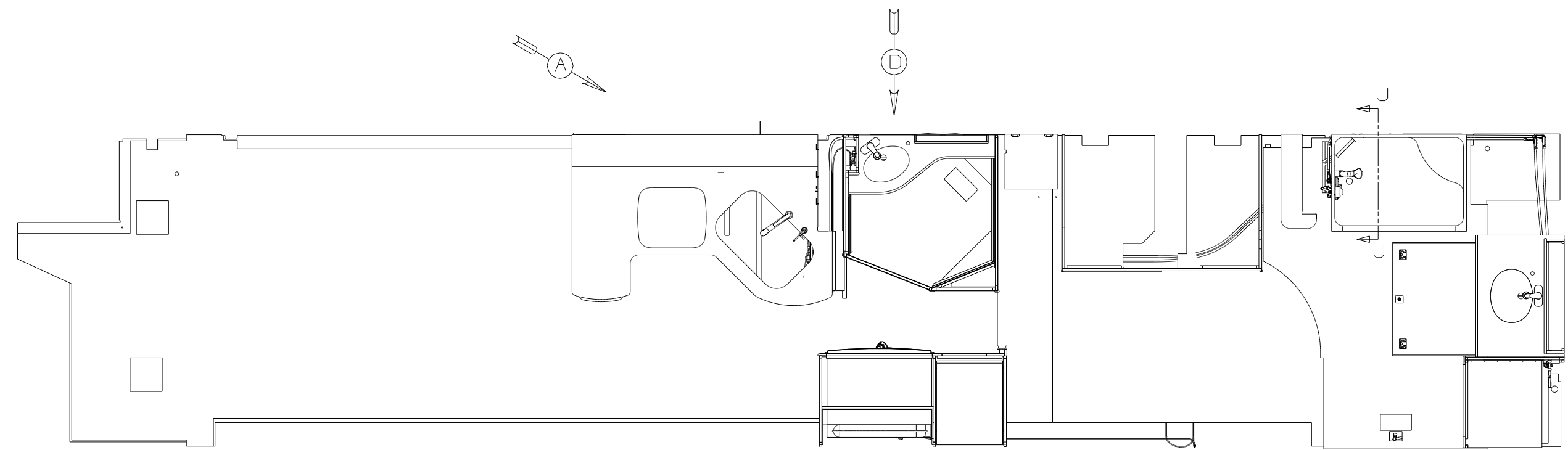
FIRST USED	11 R420D		
TITLE	DO NOT SCALE DRAWING		
	DRAINAGE SYSTEM INSTL		
SHEET 4	PART NO	174482	REV

8 7 6 5 4 3 2 1

RELEASE	REV/DATE A	DWG NO 174485
REV ZONE	REVISION RECORD	DATE DFR-0R16

D
C
B
A

D
C
B
A



- (54E) WASHER/DRYER
- (21M) WASHER/DRYER PREP
- (214) DISHWASHER-DRAWER STYLE
- (215) DISHWASHER WITHOUT
- (505) HOSE REEL-WATER, POWERED

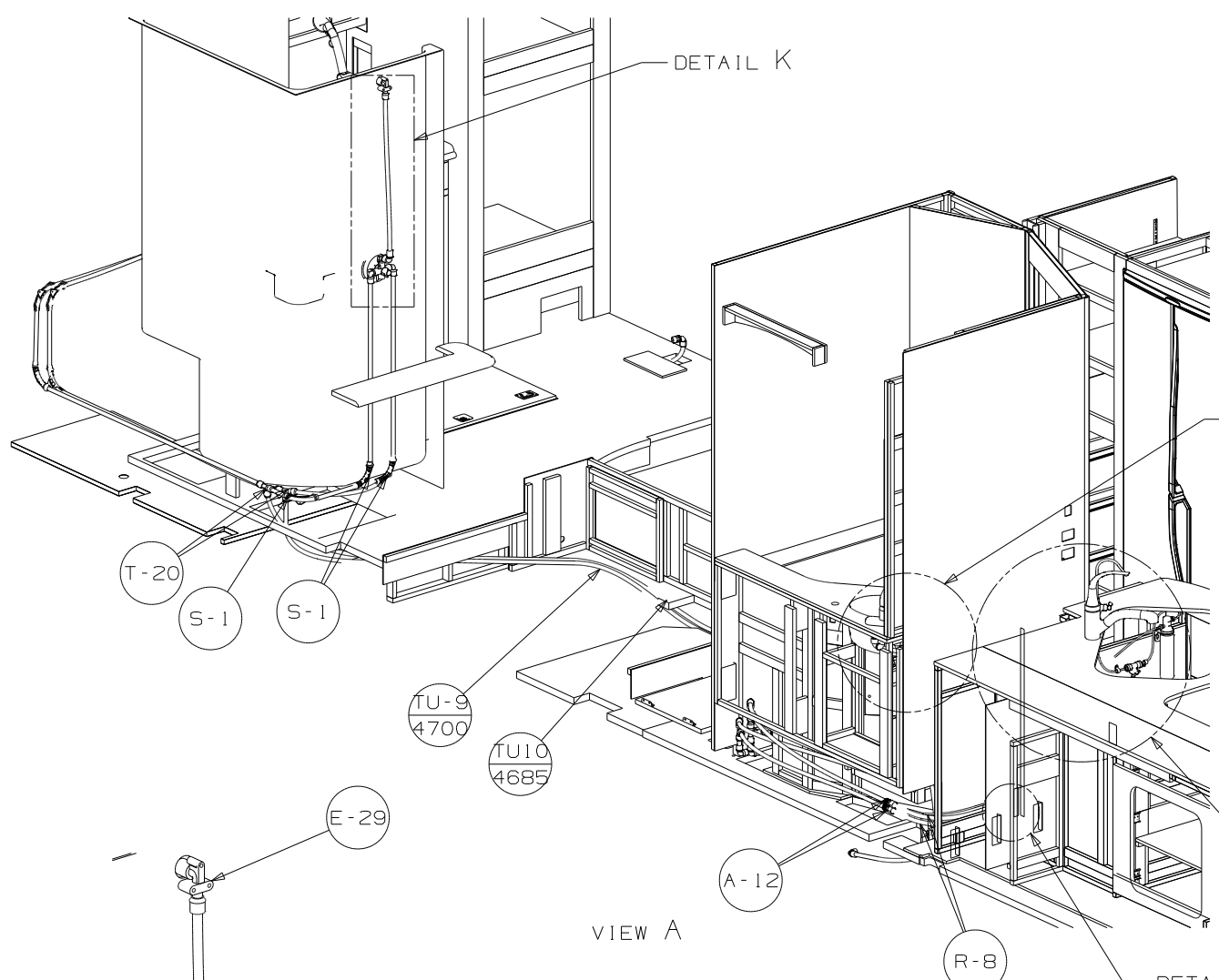
- 9. VALVE MUST REMAIN OPEN AFTER WATER TEST.
- 8. FOLLOW AQUA HOT TEST PROCEDURE- REQUIRES 5 GALLONS OF 157665-02-000 ANTIFREEZE FOR WINTERIZATION.
- 7. ADD PIPE WRAP (LADDER SCRAP 110157-02-000) INSULATION.
- 6. ADD TEFLON TAPE 10405-03-000.
- 5. ADD TEFLON TAPE 10405-02-000.
- 4. ADD TEFLON TAPE 10405-01-000.
- 3. ALL TUBING TO BE SECURED AT 1200 INTERVALS MAXIMUM WITH CLAMP 10495-01-000 AND SCREW G67-10-12B OR EQUIVALENT.
- 2. TUBING TO BE INSTALLED WITH SUFFICIENT SLOPE TO PROVIDE DRAINAGE TO NEAREST VALVE.
- 1. PLASTIC FITTINGS TO BE SEALED WITH SEALANT 84456-01-000.

NOTES:

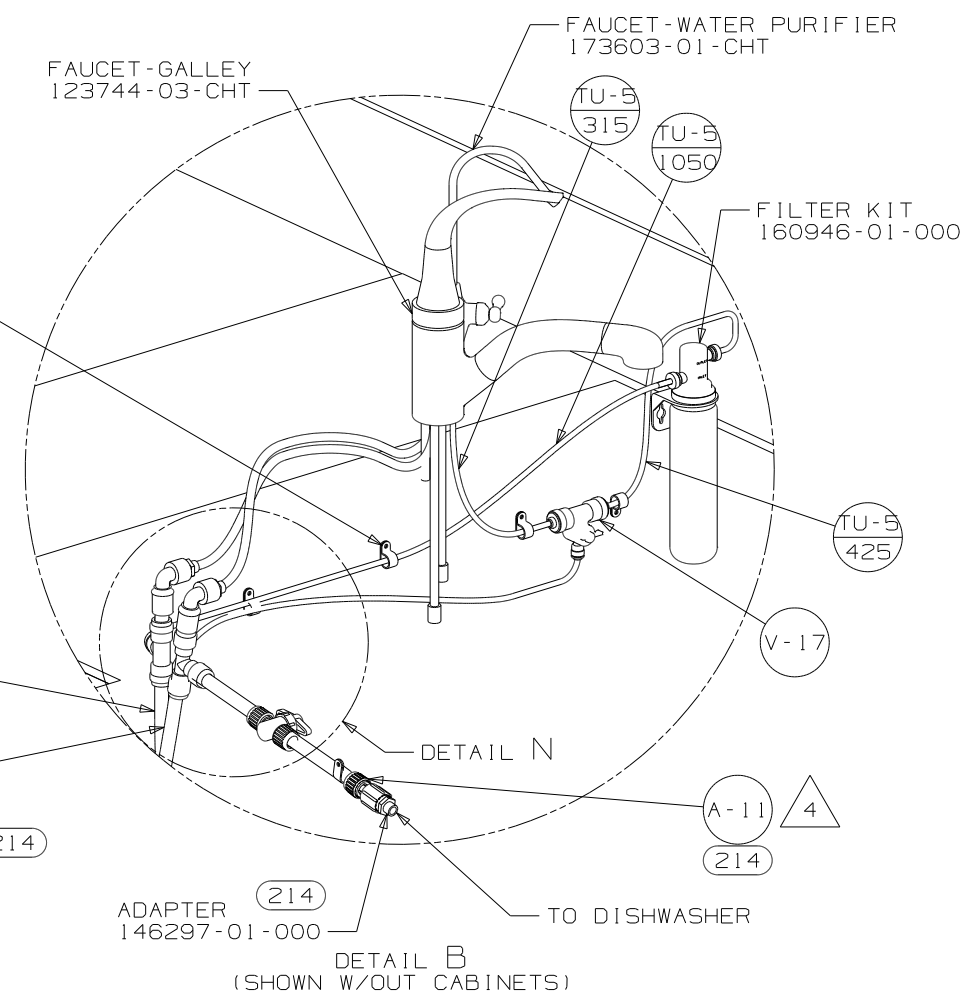
WINNEBAGO		COPYRIGHT 2011 WINNEBAGO INDUSTRIES, INC.	
DFTR	ORIG. DATE	ALL DIMENSIONS ARE IN MILLIMETERS	
CHKR		FIRST USED	
P.E.		11 R420D	
M.E.		UNSPECIFIED TOLERANCES ARE:	
DSNR		MATERIAL:	
		WHOLE DIM (X)	: 3
		ONE-PLACE (X.X)	: 1.5
		TWO-PLACE (X.XX)	: 0.50
		ANGLE	: 1°
THIRD ANGLE PROJECTION			
DO NOT SCALE DRAWING		REFER TO ES0018 FOR FASTENER TIGHTENING GUIDELINES	
TITLE: WATER SYSTEM INSTL			
SHEET 1 OF 4	PART NO 174485	REV	
REF:	1 4/6/2011		

(X-X)
FOR
WATER
CALLOUTS
SEE DWG NO
116230-01-000

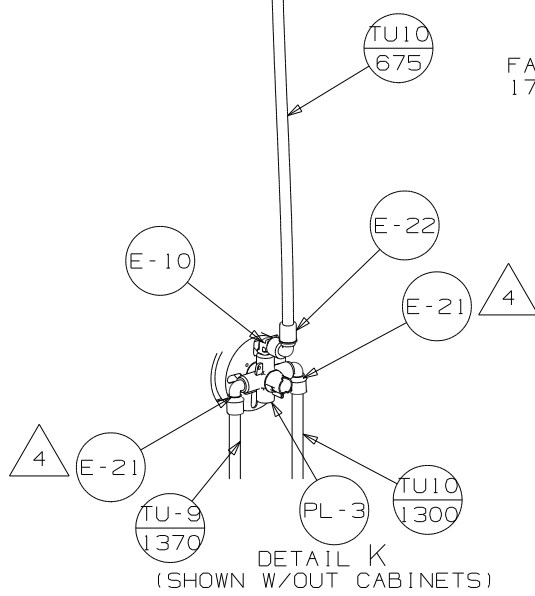
8 7 6 5 4 3 2 1



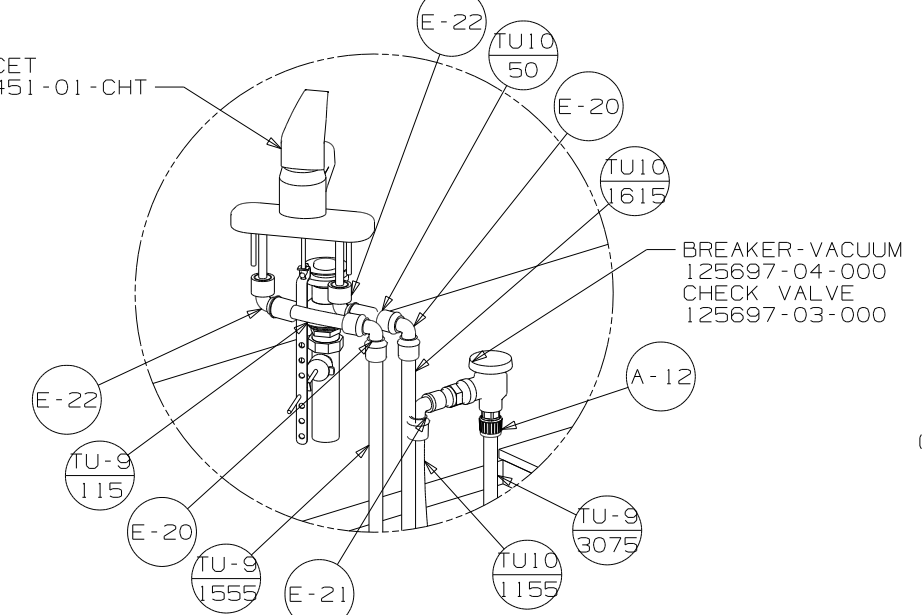
VIEW A



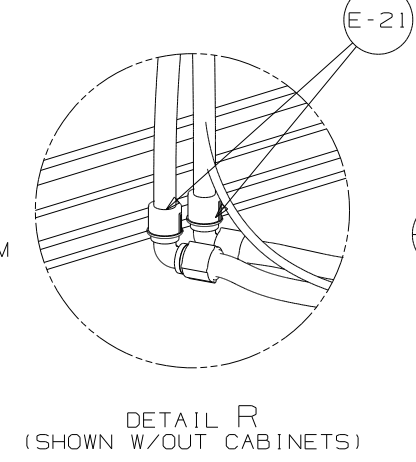
DETAIL B (SHOWN W/OUT CABINETS)



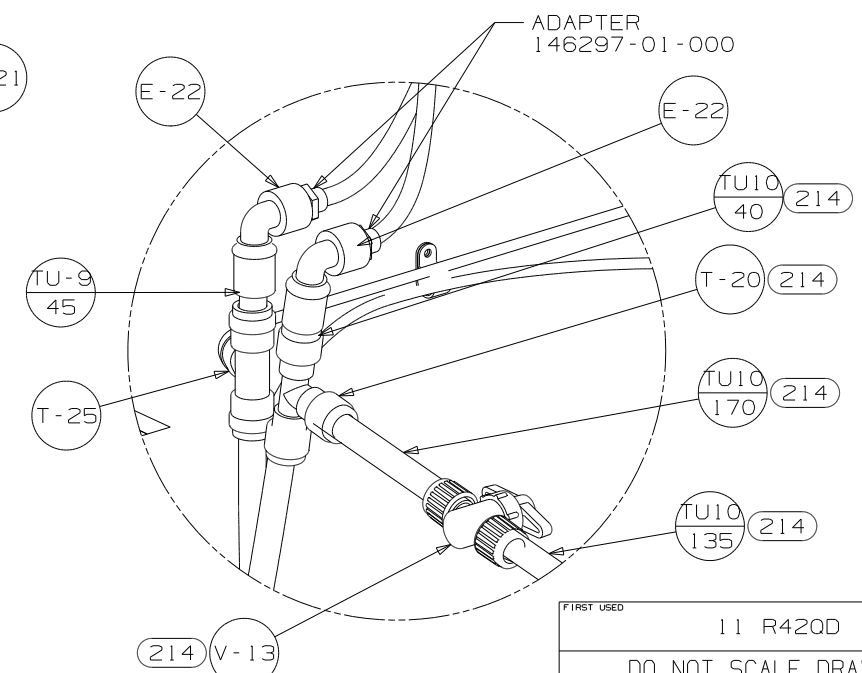
DETAIL K (SHOWN W/OUT CABINETS)



DETAIL C (SHOWN W/OUT CABINETS)

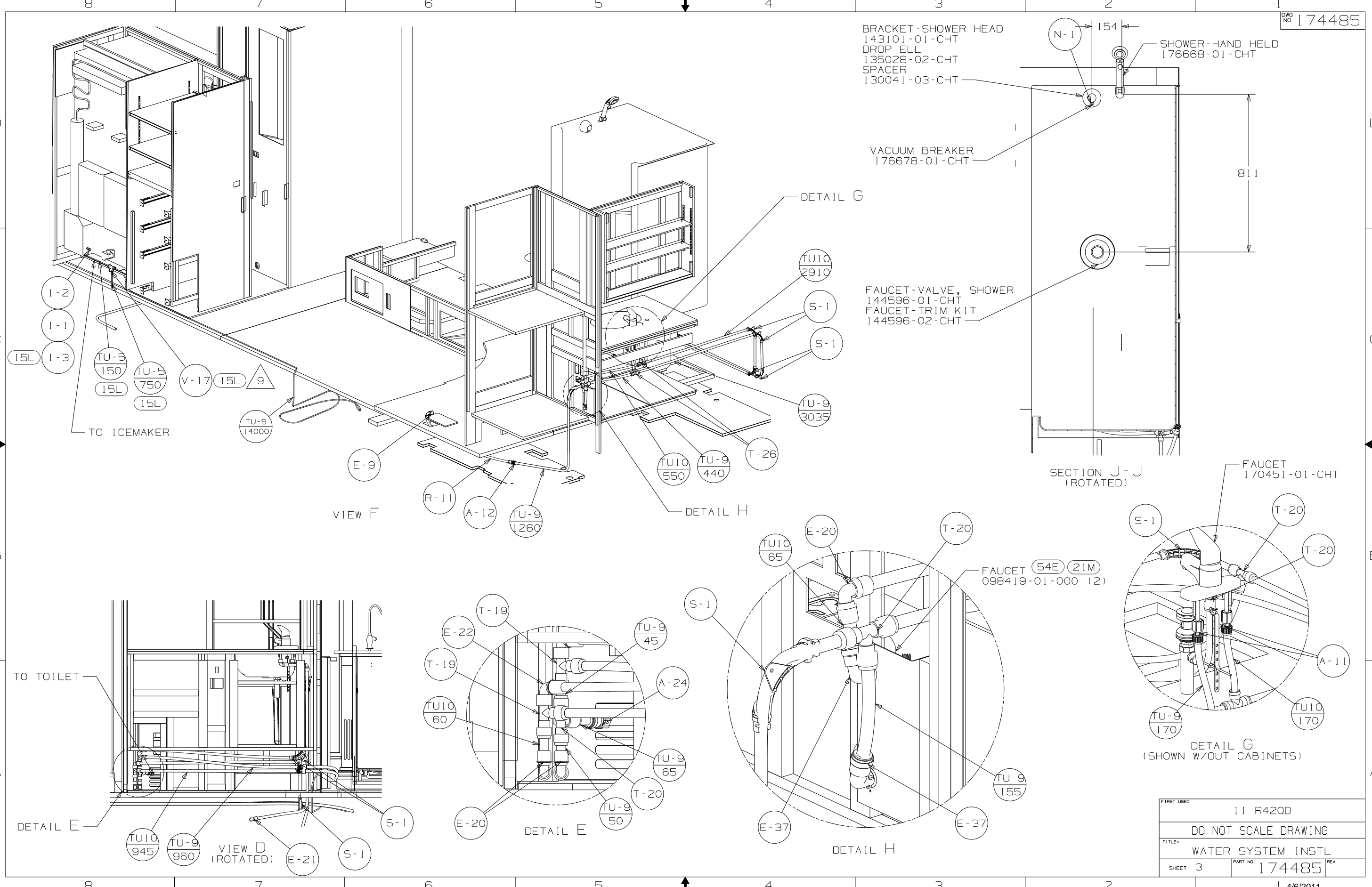


DETAIL R (SHOWN W/OUT CABINETS)



DETAIL N

FIRST USED	11 R420D		
TITLE	DO NOT SCALE DRAWING		
TITLE	WATER SYSTEM INSTL		
SHEET 2	PART NO	174485	REV



FIRST USED	11 R420D
TITLE	DO NOT SCALE DRAWING
TITLE	WATER SYSTEM INSTL
SHEET 3	PART NO 174485 REV

COVER-VALVE, BYPASS
138618-03-CHT

SHOWN LINE UNDER FLOOR

SERVICE CTR ASM
163268-10-XXX

WATER CENTER ASM
157511-19-XXX

TO FURNACE-HYDRONIC

SECTION M-M
HOSE-REEL, POWERED 505
142675-01-CHT
BRACKET
145758-01-CHT
RIVET
118626-01-CHT (4)
SCREW
G39-10-20U (2)

VIEW P
(SHOWN W/OUT BRACKET)

VIEW L

FIRST USED	11 R420D
TITLE:	DO NOT SCALE DRAWING
	WATER SYSTEM INSTL
SHEET 4	PART NO 174485 REV