

- (22A) VACUUM SYS-CENTRAL-WITHOUT
- (22T) VACUUM SYSTEM-CENTRAL
- (21S) WASHER/DRYER STACKED
- (1B1) CODES/STANDARDS USA
- (265) CODES/STDS-CSA,CMVSS
- (54E) WASHER DRYER
- (21M) WASHER/DRYER PREP
- (214) DISHWASHER DRAWER STYLE
- (215) DISHWASHER WITHOUT

- NOTES:
6. FOLLOW TECMA TOILET WINTERIZATION PROCEDURE. REQUIRES 5 GALLONS OF RV ANTIFREEZE 157665-02-000 PER TOILET.
 5. SEAL AROUND SHOWER WITH SILICONE.
 4. VENT PIPE MUST PROJECT 51 MIN AND 64 MAX ABOVE ROOF FOR PROPER FIT AND FUNCTION.
 3. ALL PIPE AND FITTINGS TO BE ASSEMBLED WITH SOLVENT 004020-01-000 (US), 004020-02-000 (CAN).
 2. SLOPE OF TRAP ARM MUST BE 6 PER 305 mm.
 1. SLOPE OF HORIZONTAL PIPING TO BE MIN 3 PER 305 mm.

FOR DRAINAGE CALLOUTS SEE DWG NO 116229-01-000

WINNEBAGO		COPYRIGHT 2010 WINNEBAGO INDUSTRIES, INC.	
D/FR	ORIG. DATE	ALL DIMENSIONS ARE IN MILLIMETERS	
CHKR		FIRST USED	
P.E.		11 R40CD	
M.E.		UNSPECIFIED TOLERANCES ARE:	
DSNR		MATERIAL:	
		WHOLE DIM (X)	: 3
		ONE-PLACE (X.X)	: 1.5
		TWO-PLACE (X.XX)	: 0.50
		ANGLE	: 1°
		THIRD ANGLE PROJECTION	
DO NOT SCALE DRAWING		REFER TO ES0018 FOR FASTENER TIGHTENING GUIDELINES	
TITLE: DRAINAGE SYSTEM INSTL			
SHEET 1 OF 4	PART NO	174355	REV
REF:	12/22/2010		

SHOWER COMPL
172913-03-CHT
STRAINER
066440-01-000

STRAP-CONDUIT, 2"
8406-01-000
SCREW
G67-10-10T (2)

FITTING-BULKHEAD
136656-01-CHT

VIEW K
(ROTATED)

SINK-GALLEY
173783-01-CHT
STRAINER
92303-01-000 (2)
NUT
130403-01-000
ANGLE-W/SLOTS
140002-01-CHT (10)

W-2 (215)
WASTE-CONTINUOUS
011091-04-000 (214)

PIPE-STAND
130234-02-000
TRAP-WATERLESS
165406-01-000

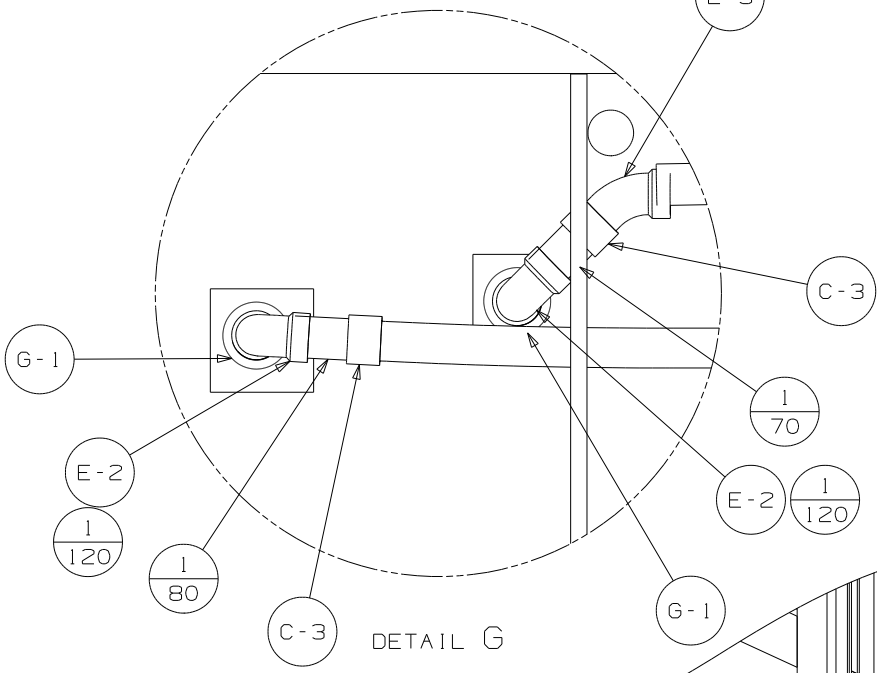
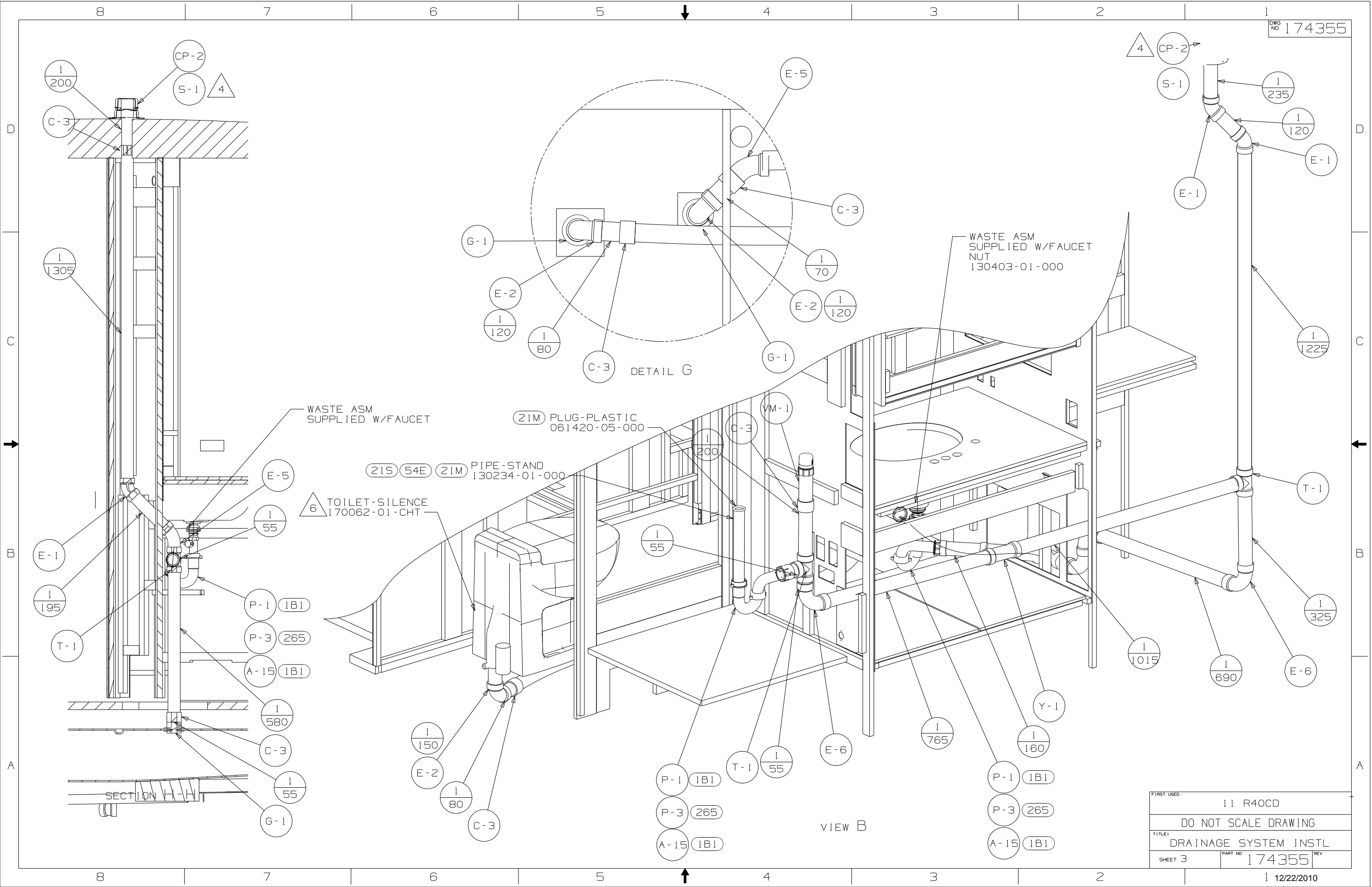
TOILET-SILENCE
170062-01-000

ELBOW
136111-01-000 (2)
ADAPTER-SWIVEL
130685-02-000 (2)

DETAIL C
W/O SHOWER

VIEW A

FIRST USED	11 R40CD
TITLE	DO NOT SCALE DRAWING DRAINAGE SYSTEM INSTL
SHEET 2	PART NO 174355 REV
	12/22/2010



WASTE ASM
SUPPLIED W/FAUCET

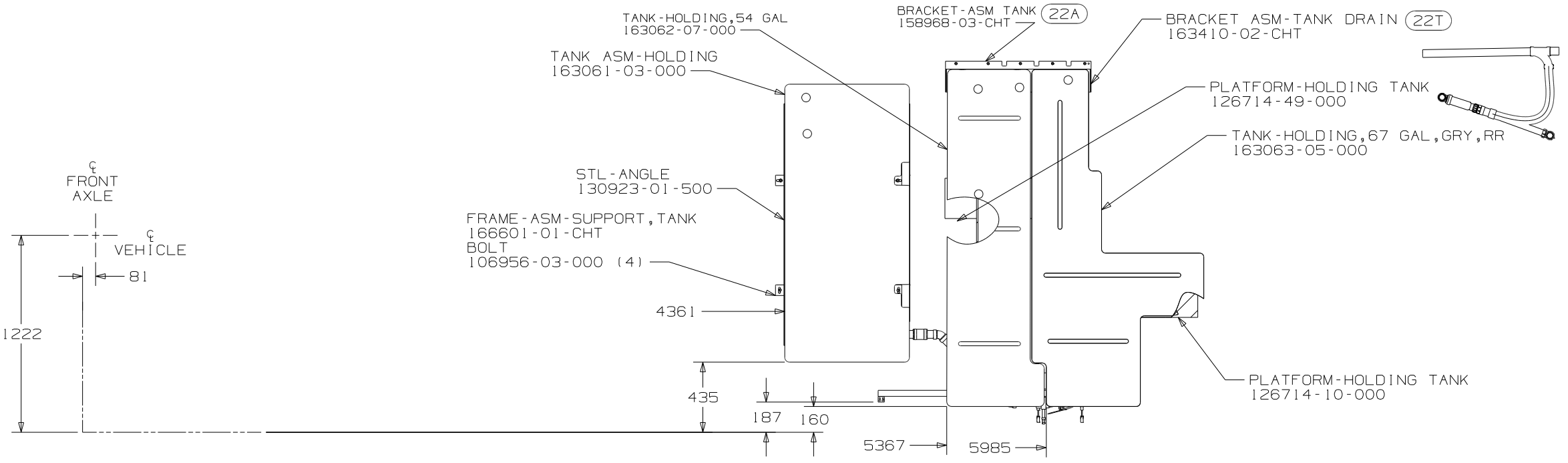
(21M) PLUG-PLASTIC
061420-05-000

(21S) (54E) (21M) PIPE-STAND
130234-01-000

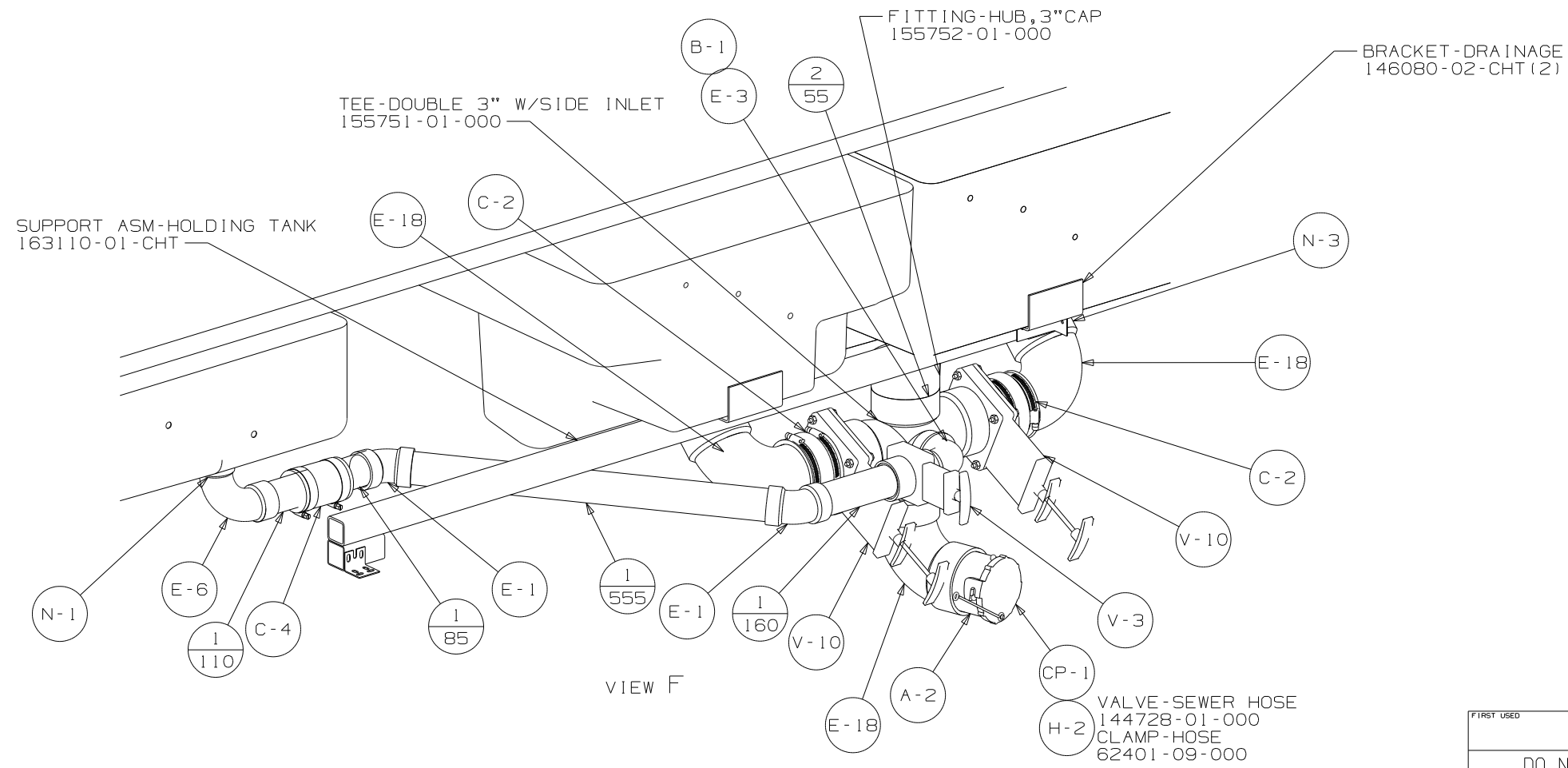
(6) TOILET-SILENCE
170062-01-CHT

VIEW B

FIRST USED	11 R40CD
DO NOT SCALE DRAWING	
TITLE:	DRAINAGE SYSTEM INSTL
SHEET 3	PART NO 174355 REV

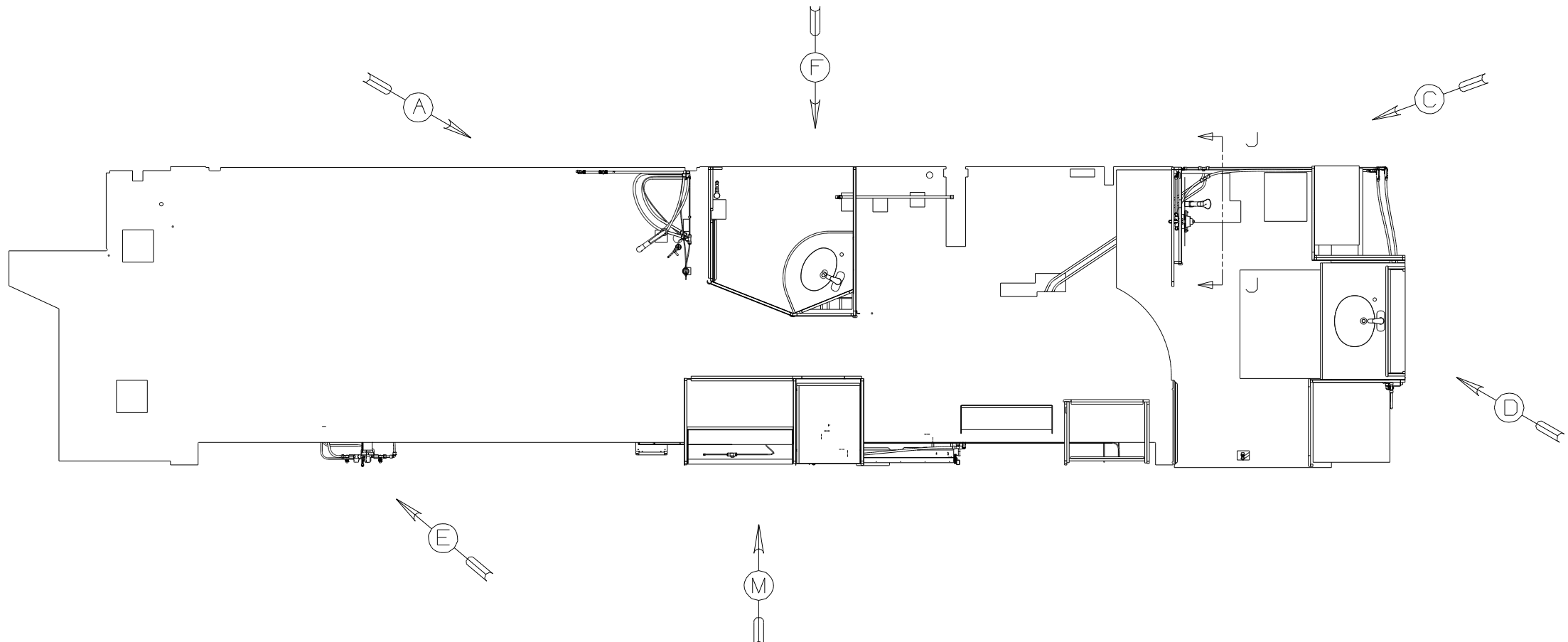


VIEW D (SHOWN W/O CABINETS/FLOOR)



VIEW F

FIRST USED	11 R40CD
DO NOT SCALE DRAWING	
TITLE:	DRAINAGE SYSTEM INSTL
SHEET 4	PART NO 174355 REV

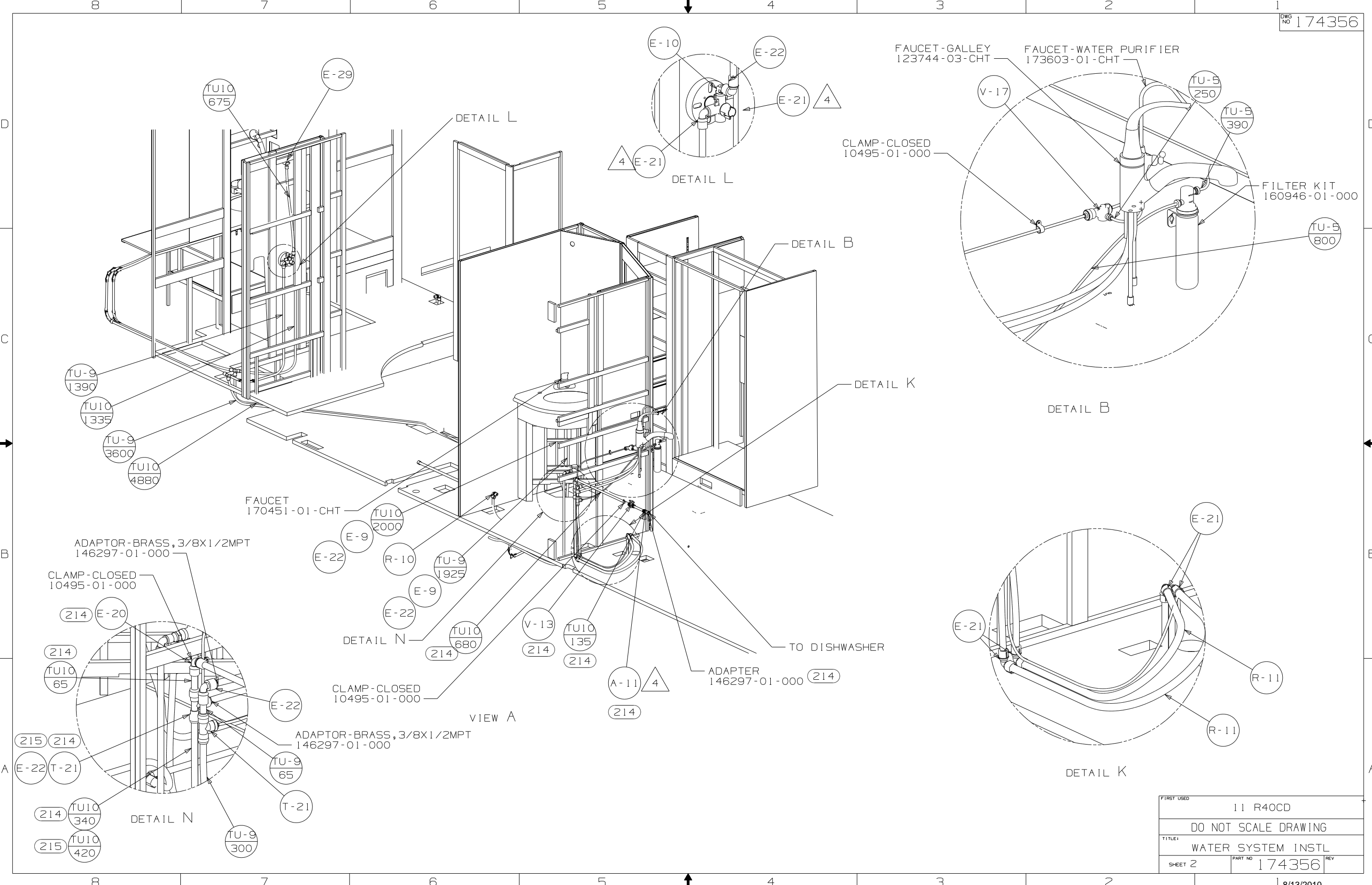


- (15L) REFR/FRZR 2DOOR RESIDENTIAL
- (54E) WASHER/DRYER_COMBO
- (21M) WASHER/DRYER PREP
- (214) DISHWASHER DRAWER STYLE
- (215) DISHWASHER WITHOUT
- (505) WATER SUPPLY HOSE W/REEL

- NOTES:
- 8 VALVE MUST REMAIN OPEN AFTER WATER TEST.
 - 7 ADD PIPE WRAP (LADDER SCRAP 110157-02-000) INSULATION.
 - 6 ADD TEFLON TAPE 10405-03-000.
 - 5 ADD TEFLON TAPE 10405-02-000.
 - 4 ADD TEFLON TAPE 10405-01-000.
3. ALL TUBING TO BE SECURED AT 1200 INTERVALS MAXIMUM WITH CLAMP 10495-01-000 AND SCREW G67-10-12B OR EQUIVALENT.
2. TUBING TO BE INSTALLED WITH SUFFICIENT SLOPE TO PROVIDE DRAINAGE TO NEAREST VALVE.
1. PLASTIC FITTINGS TO BE SEALED WITH SEALANT 84456-01-000.

WINNEBAGO		COPYRIGHT 2010 WINNEBAGO INDUSTRIES, INC.	
DFTR	ORIG. DATE	ALL DIMENSIONS ARE IN MILLIMETERS	
CHKR		FIRST USED	
P.E.		11 R40CD	
M.E.		UNSPECIFIED TOLERANCES ARE:	
DSNR		WHOLE DIM (X.X) : 3	
		ONE-PLACE (X.X.X) : 1.5	
		TWO-PLACE (X.X.XX) : 0.50	
		ANGLE : 1°	
THIRD ANGLE PROJECTION		MATERIAL:	
DO NOT SCALE DRAWING		REFER TO ES0018 FOR FASTENER TIGHTENING GUIDELINES	
TITLE: WATER SYSTEM INSTL			
SHEET 1 OF 5	PART NO	174356	REV
REF:	1 8/13/2010		

(X-X)
FOR
WATER
CALLOUTS
SEE DWG NO
116230-01-000



FAUCET - GALLEY
123744-03-CHT

FAUCET - WATER PURIFIER
173603-01-CHT

CLAMP - CLOSED
10495-01-000

FILTER KIT
160946-01-000

FAUCET
170451-01-CHT

ADAPTOR - BRASS, 3/8X1/2MPT
146297-01-000

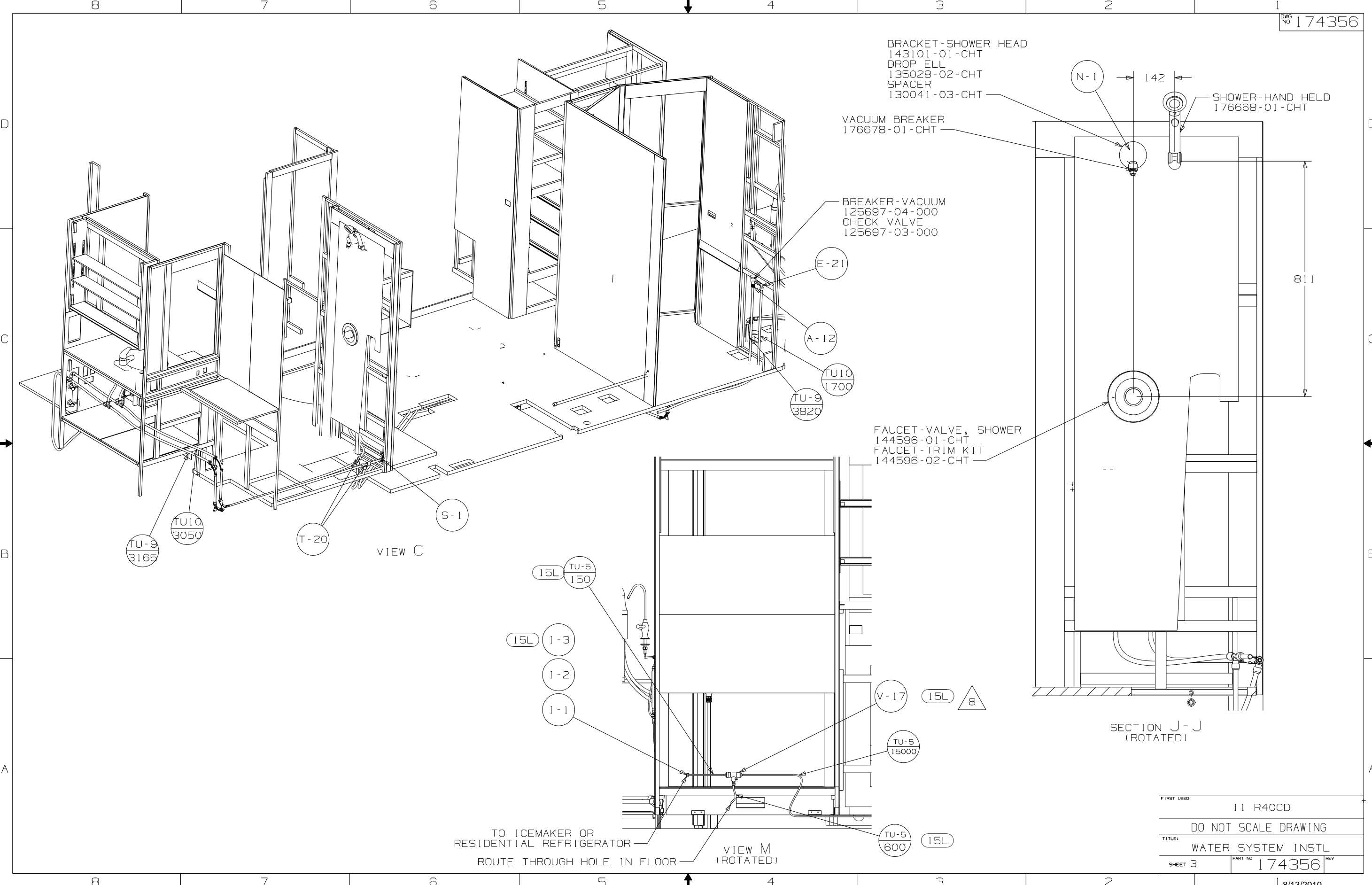
CLAMP - CLOSED
10495-01-000

CLAMP - CLOSED
10495-01-000

ADAPTOR - BRASS, 3/8X1/2MPT
146297-01-000

ADAPTER
146297-01-000

FIRST USED	11 R40CD
TITLE	DO NOT SCALE DRAWING
TITLE	WATER SYSTEM INSTL
SHEET 2	PART NO 174356 REV



BRACKET-SHOWER HEAD
 143101-01-CHT
 DROP ELL
 135028-02-CHT
 SPACER
 130041-03-CHT

VACUUM BREAKER
 176678-01-CHT

BREAKER-VACUUM
 125697-04-000
 CHECK VALVE
 125697-03-000

FAUCET-VALVE, SHOWER
 144596-01-CHT
 FAUCET-TRIM KIT
 144596-02-CHT

SHOWER-HAND HELD
 176668-01-CHT

811

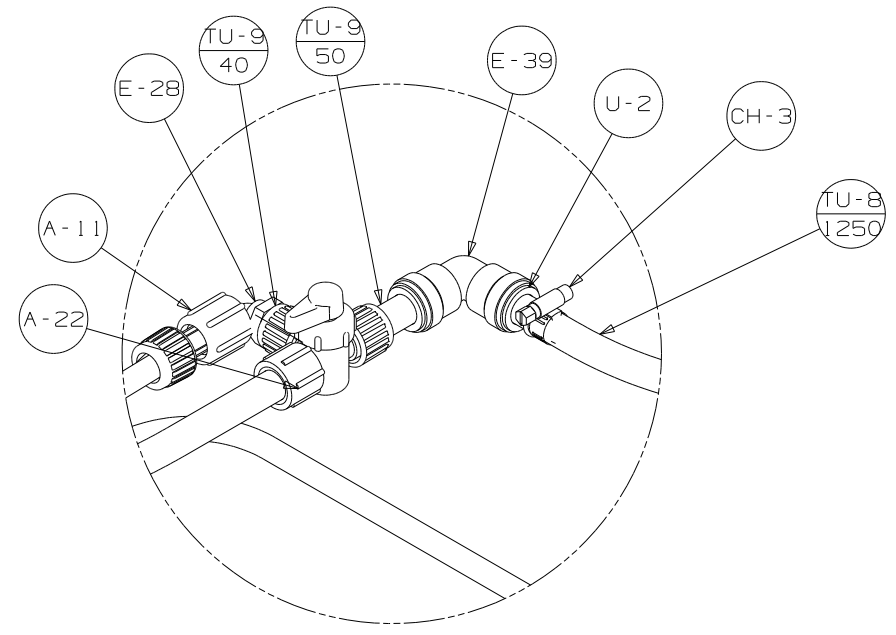
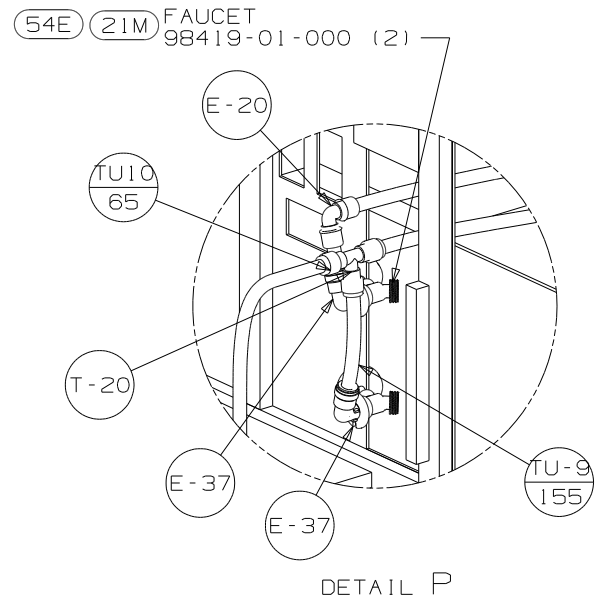
VIEW C

SECTION J-J
 (ROTATED)

VIEW M
 (ROTATED)

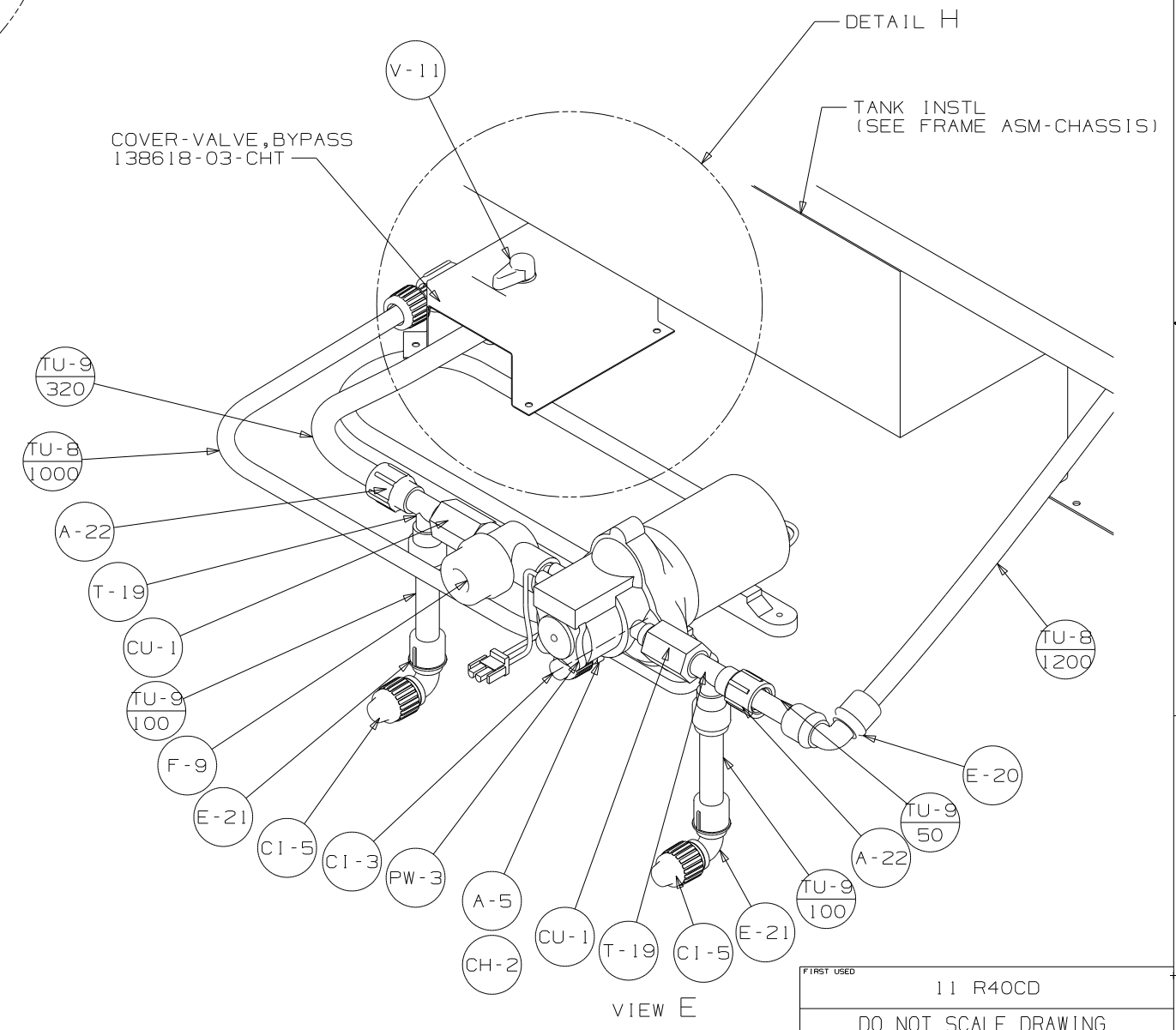
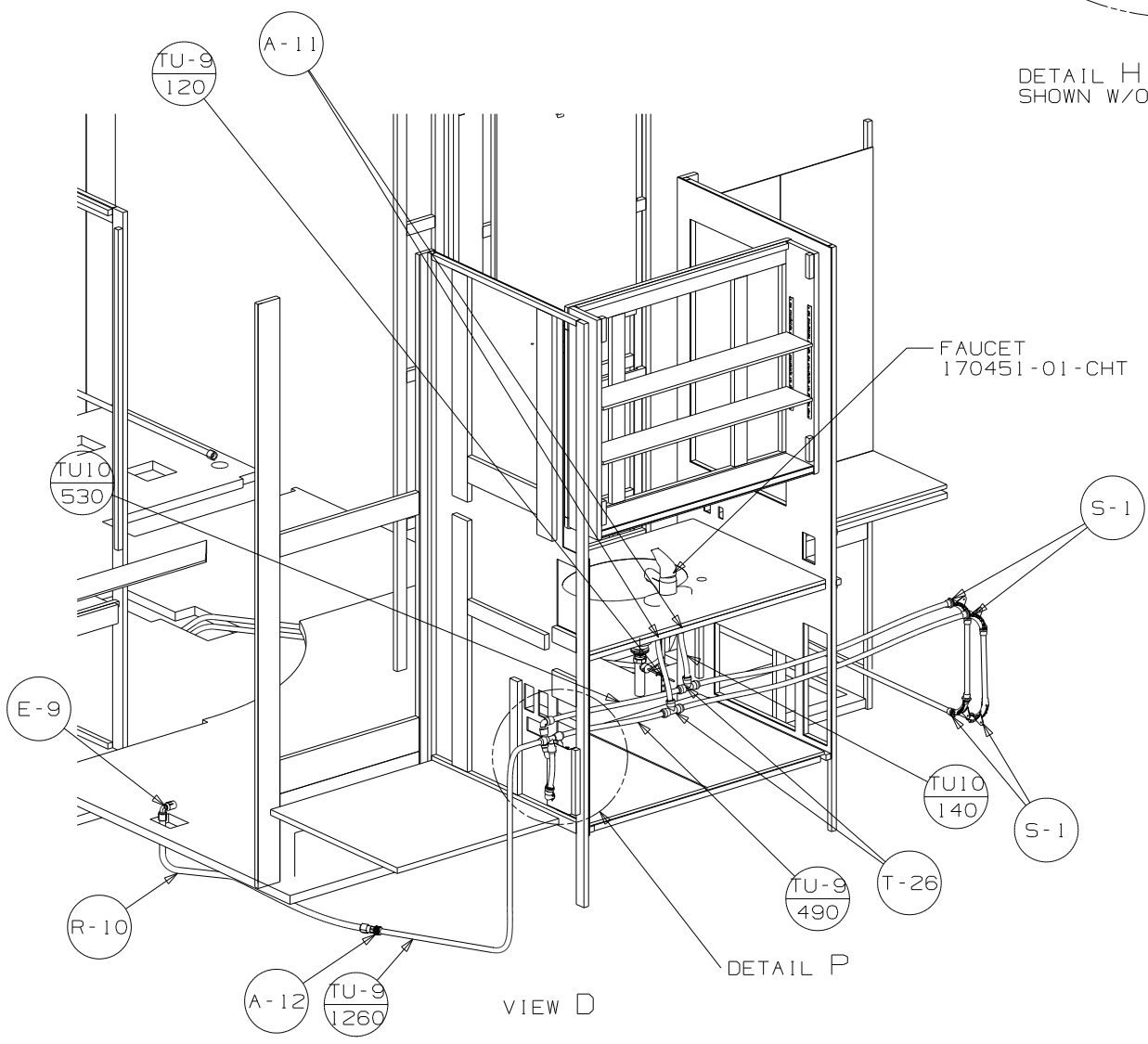
TO ICEMAKER OR
 RESIDENTIAL REFRIGERATOR
 ROUTE THROUGH HOLE IN FLOOR

FIRST USED	11 R40CD
DO NOT SCALE DRAWING	
TITLE:	WATER SYSTEM INSTL
SHEET 3	PART NO 174356 REV

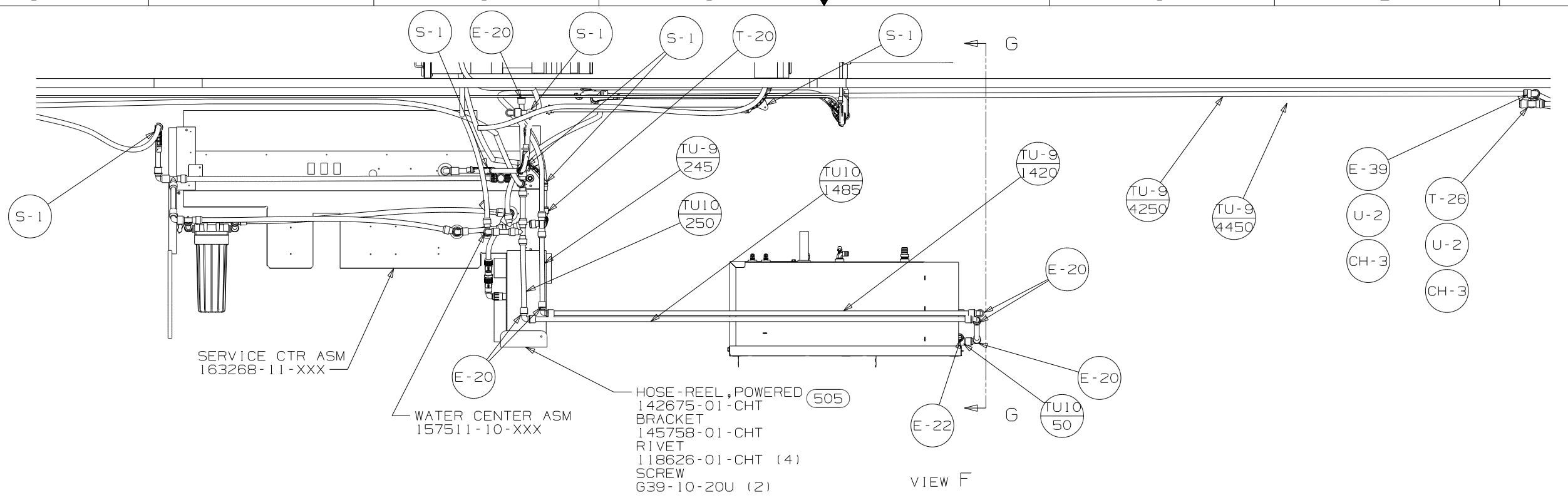


DETAIL H SHOWN W/O COVER & TANK

COVER-VALVE, BYPASS 138618-03-CHT



FIRST USED	11 R40CD
TITLE	DO NOT SCALE DRAWING
SHEET 4	WATER SYSTEM INSTL
PART NO	174356
REV	18/13/2010

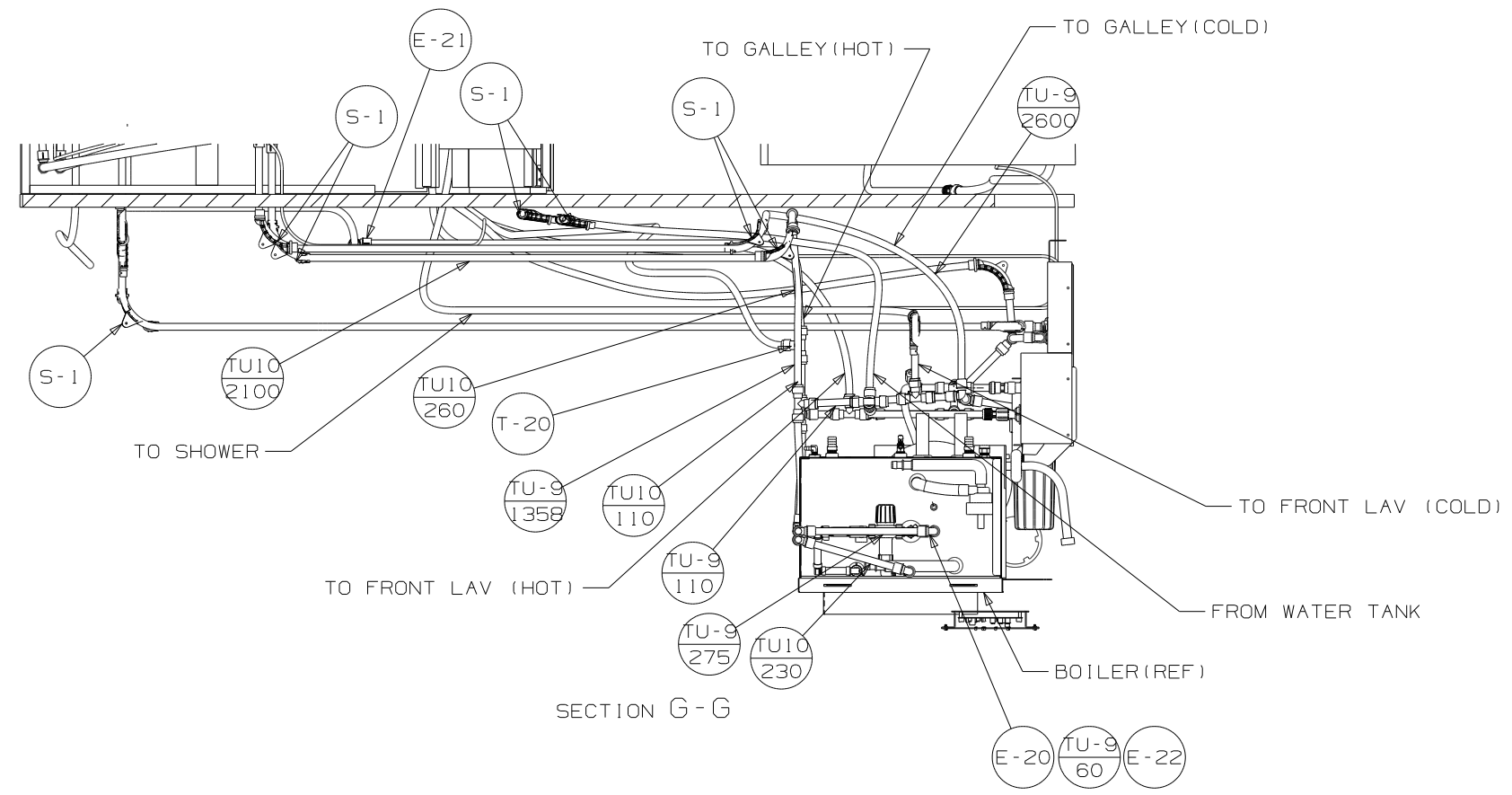


SERVICE CTR ASM
163268-11-XXX

WATER CENTER ASM
157511-10-XXX

HOSE-REEL, POWERED
142675-01-CHT
BRACKET
145758-01-CHT
RIVET
118626-01-CHT (4)
SCREW
639-10-20U (2)

VIEW F



SECTION G-G

FIRST USED	11 R40CD		
TITLE	DO NOT SCALE DRAWING		
SHEET 5	PART NO	174356	REV