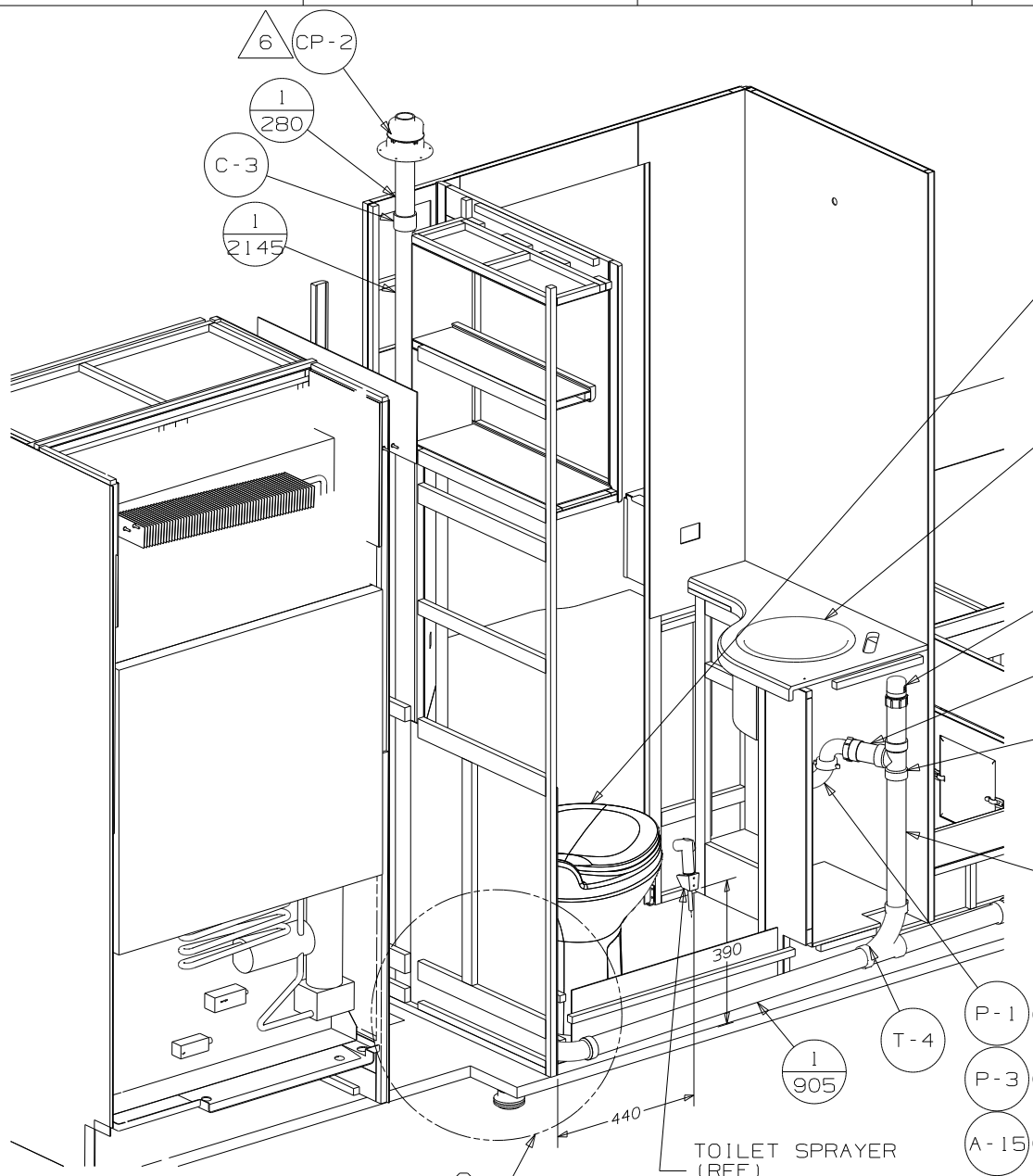


- (1B1) CODES/STANDARDS USA
- (265) CODES/STANDARDS-CSA/CMVSS
- (54E) WASHER/DRYER_COMBO
- (21M) WASHER/DRYER PREP

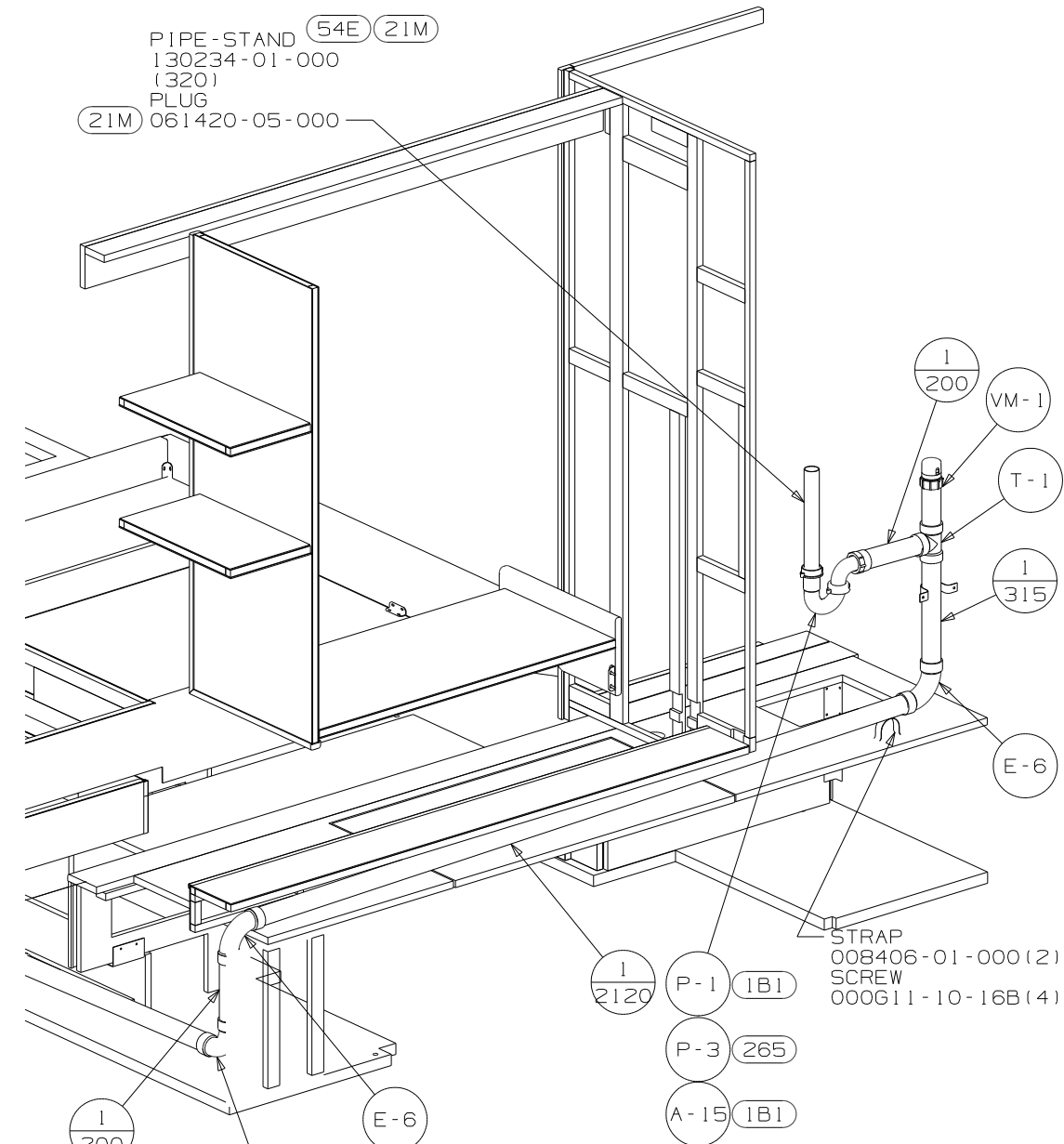
- 9. APPLY PRIMER 126427-02-000 AND CEMENT 126427-01-000 BETWEEN ELBOW AND FLEX PIPE.
- 8. SECURE DRAINAGE PIPES TO CABINET USING WIRE TIE 108046-02-000, AND SCREW 000G67-10-12B AT INTERVALS OF NOT MORE THAN 4 FEET APART.
- 7. SECURE VENT PIPE TO FLOOR WITH CLAMP 062401-02-000 (2), SCREW 000G67-10-12B (2), BRACKET 136878-01-CHT (2).
- 6. VENT PIPE MUST PROJECT 51 MIN AND 64 MAX ABOVE ROOF FOR PROPER FIT AND FUNCTION.
- 5. SEAL AROUND SHOWER WITH SILICONE.
- 4. USE SMOOTH PLUMBERS PUTTY 167459-01-000 TO SEAL STRAINER (0.2 PER STRAINER).
- 3. ALL PIPE AND FITTINGS TO BE ASSEMBLED WITH SOLVENT 004020-01-000 (USA), 004020-02-000 (CAN)
- 2. SLOPE OF TRAP ARM MUST BE 6 PER 305 mm.
- 1. SLOPE OF HORIZONTAL PIPING TO BE MINIMUM OF 3 PER 305 mm.

WINNEBAGO		COPYRIGHT 2010 WINNEBAGO INDUSTRIES, INC.	
DFTR	ORIG. DATE	ALL DIMENSIONS ARE IN MILLIMETERS	
CHKR		FIRST USED	
P.E.		11 P40U	
M.E.		UNSPECIFIED TOLERANCES ARE:	
DSNR		MATERIAL:	
		WHOLE DIM (X)	: 3
		ONE-PLACE (X.X)	: 1.5
		TWO-PLACE (X.XX)	: 0.50
		ANGLE	: 1°
		THIRD ANGLE PROJECTION	
DO NOT SCALE DRAWING		REFER TO ES0018 FOR FASTENER TIGHTENING GUIDELINES	
TITLE: DRAINAGE SYSTEM INSTL			
SHEET 1 OF 4	PART NO 174092	REV	

FOR
DRAINAGE
CALLOUTS
SEE DWG NO
116229-01-000



- TOILET
160815-01-CHT
SCREW
087721-01-000 (8)
- SINK-LAV
151679-01-CHT
SEAL
091255-02-000 (A/R)
STRAINER
163569-01-000
TAILPIECE
011069-05-000
NUT
130403-01-000
WASHER-RUBBER
127440-02-CHT
SCREW
000G11-08-24B (3)

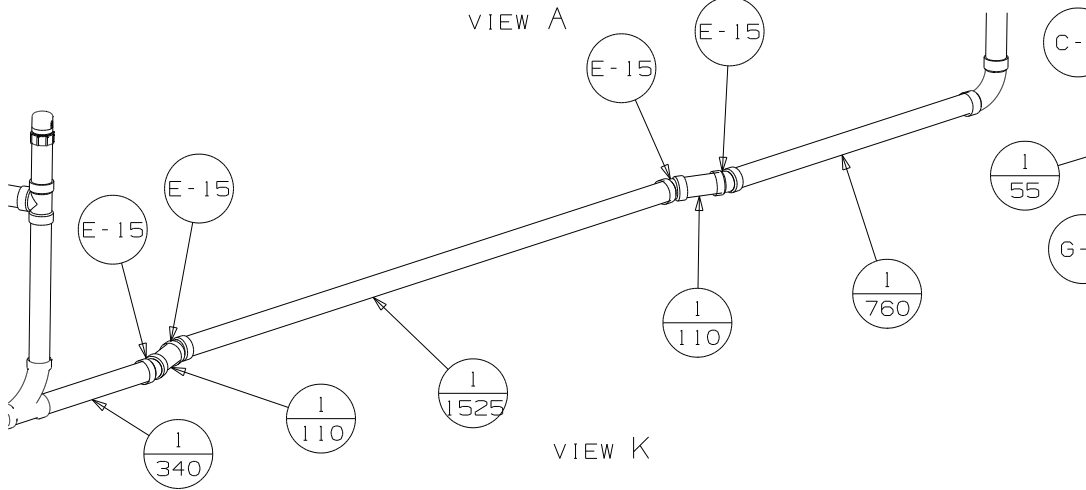


- PIPE-STAND 54E 21M
130234-01-000
(320)
PLUG
061420-05-000

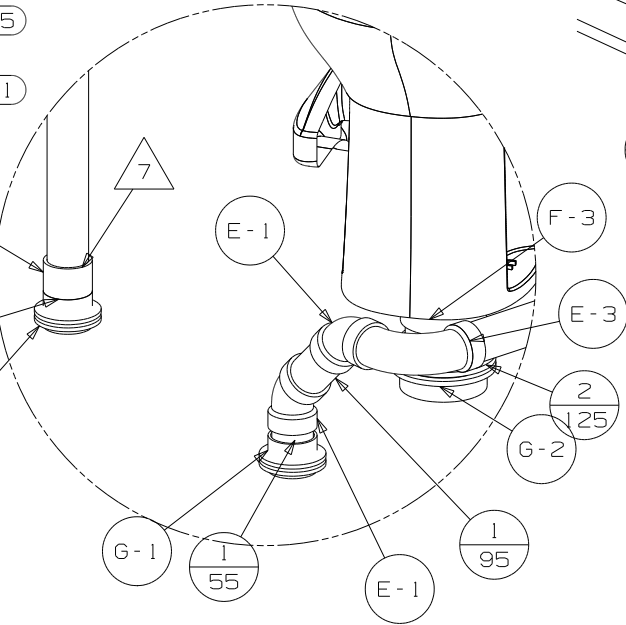
- STRAP
008406-01-000 (2)
SCREW
000G11-10-16B (4)

VIEW A

VIEW B

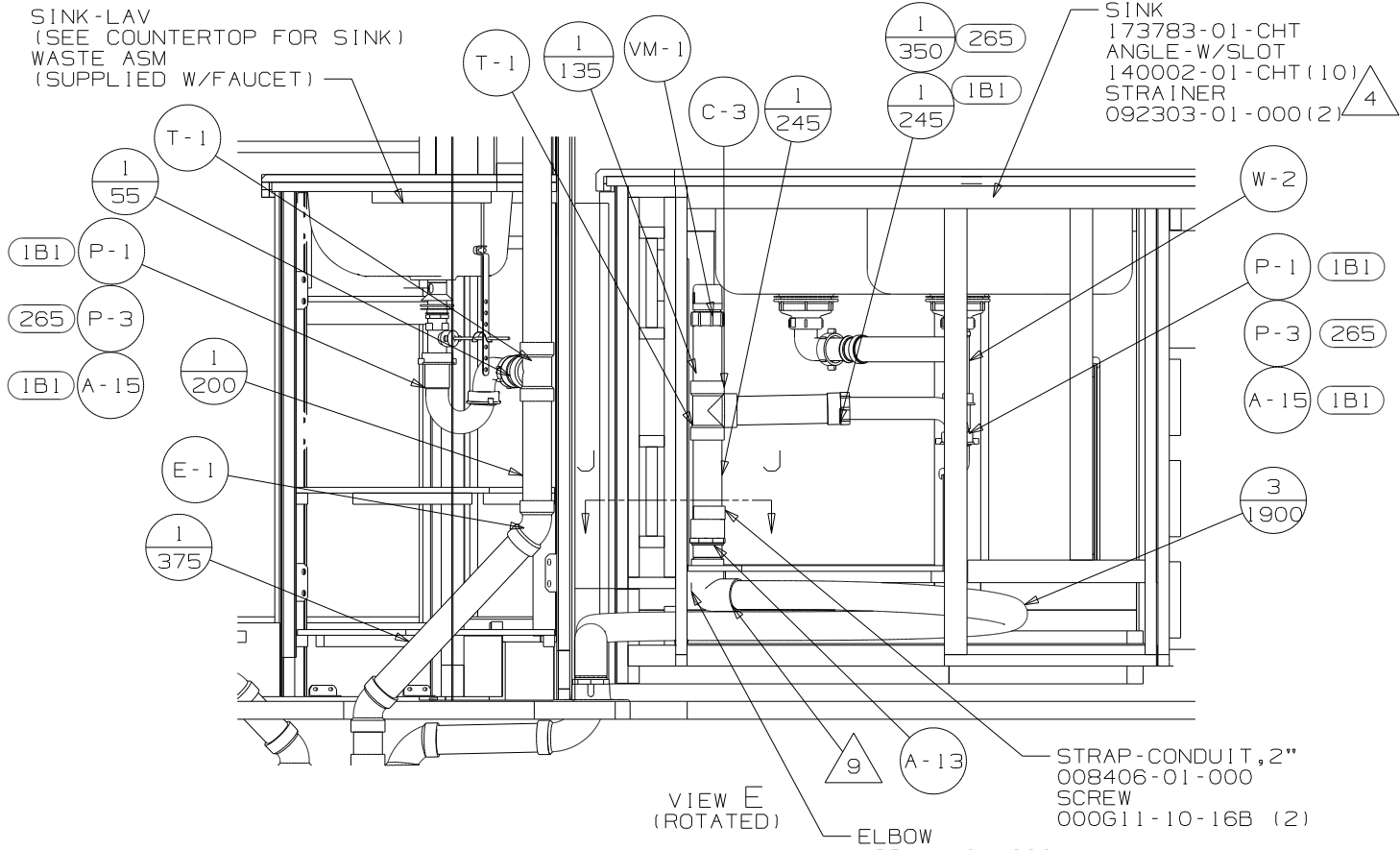
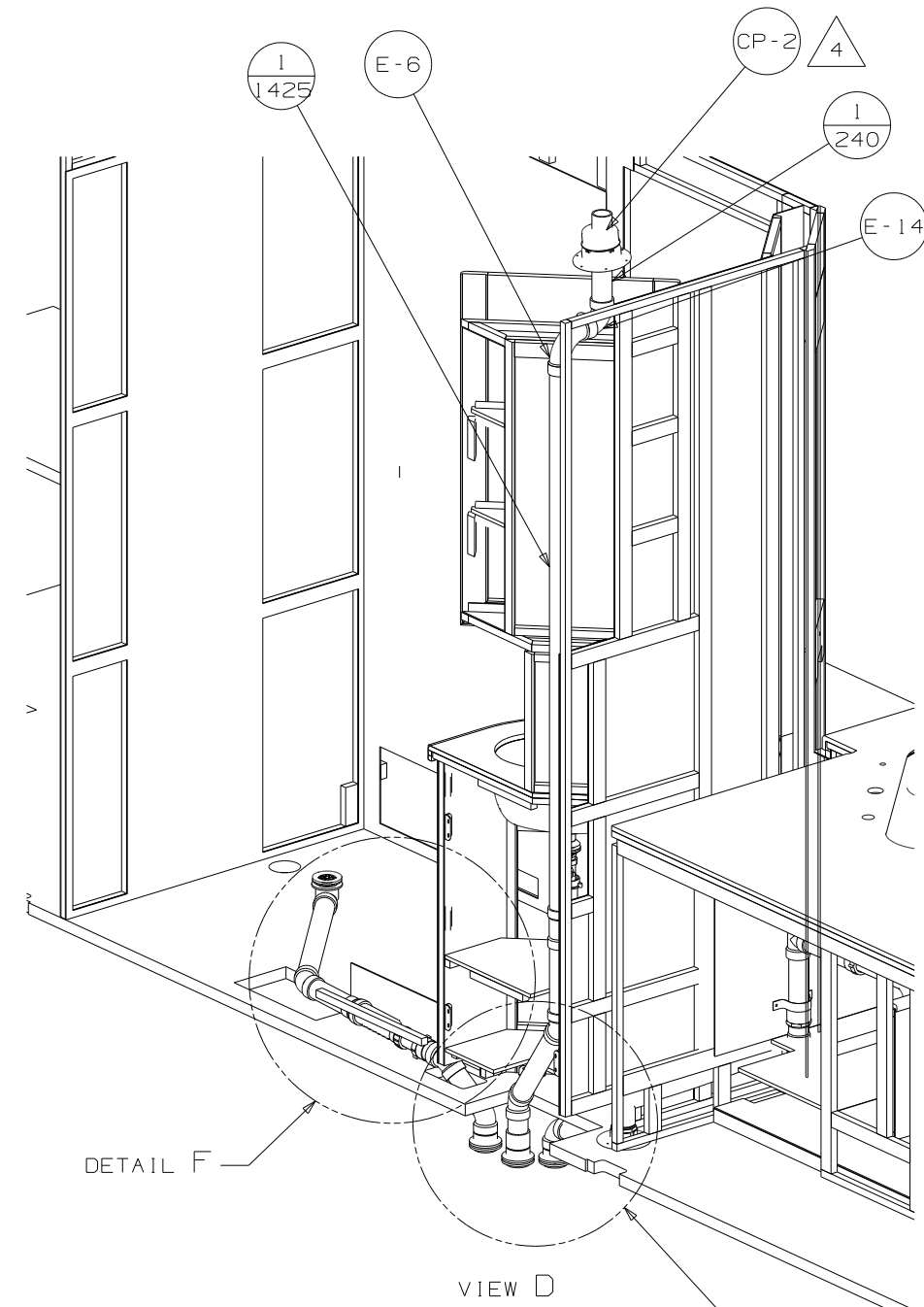


VIEW K

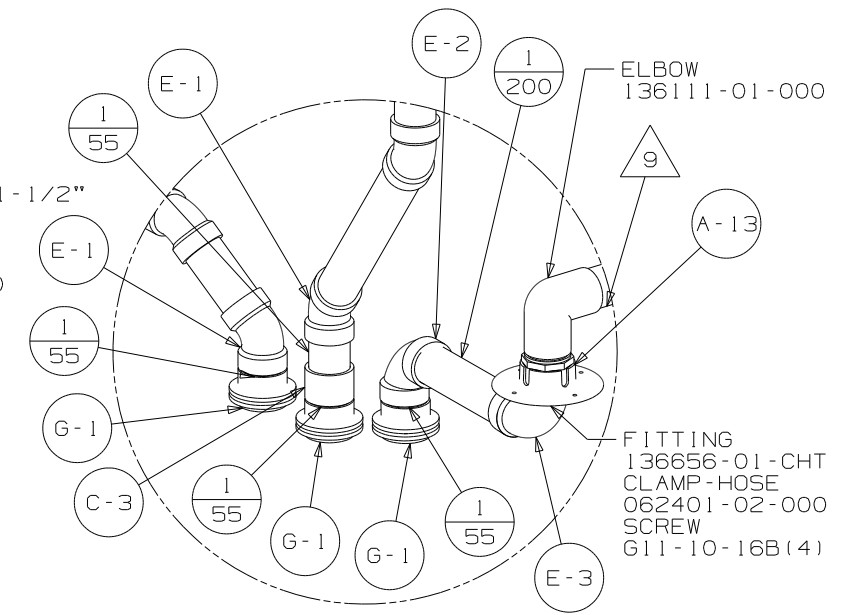
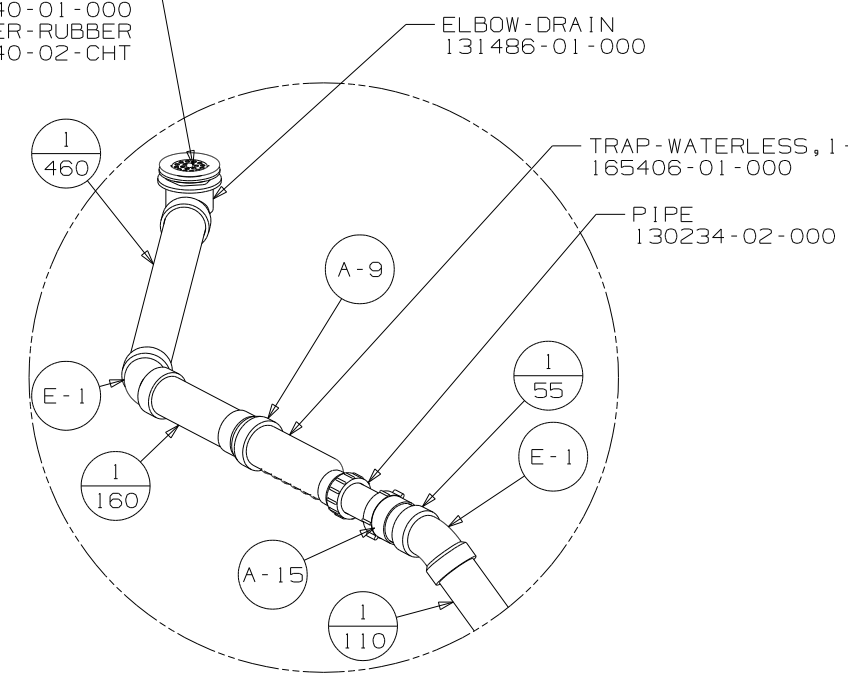


DETAIL C
(SHOWN W/OUT CABINETS AND FLOOR)

FIRST USED	11 P40U
DO NOT SCALE DRAWING	
TITLE:	DRAINAGE SYSTEM INSTL
SHEET 2	PART NO 174092 REV

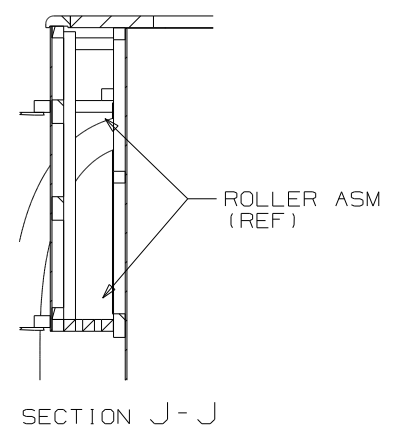


SHOWER INSTL
174289-02-CHT
STRAINER
066440-01-000
WASHER-RUBBER
127440-02-CHT

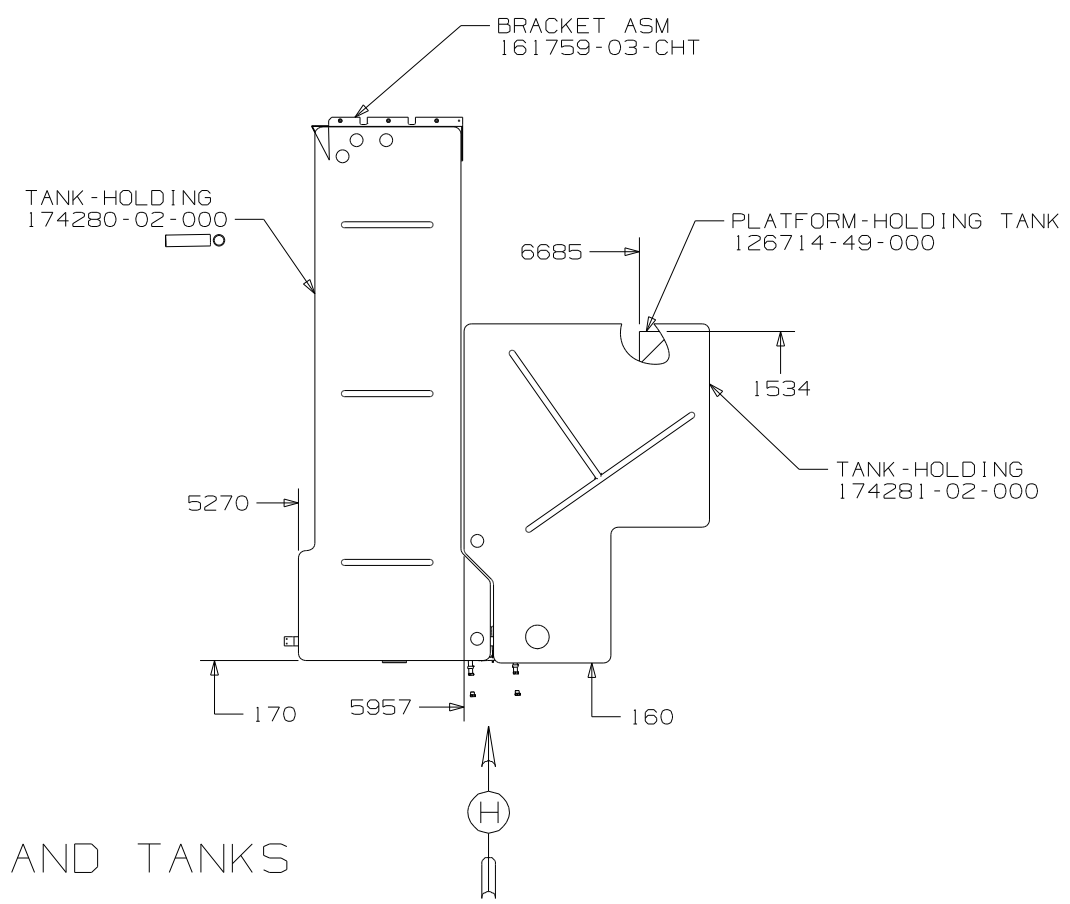
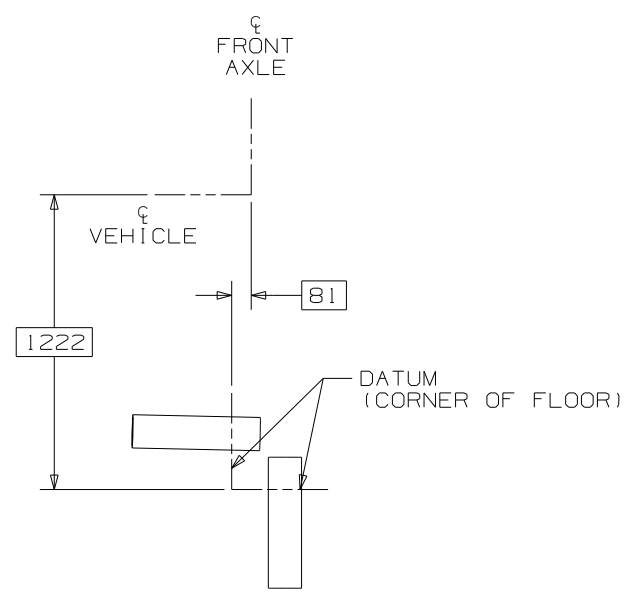


DETAIL G
(SHOWN W/OUT CABINETS AND FLOOR)

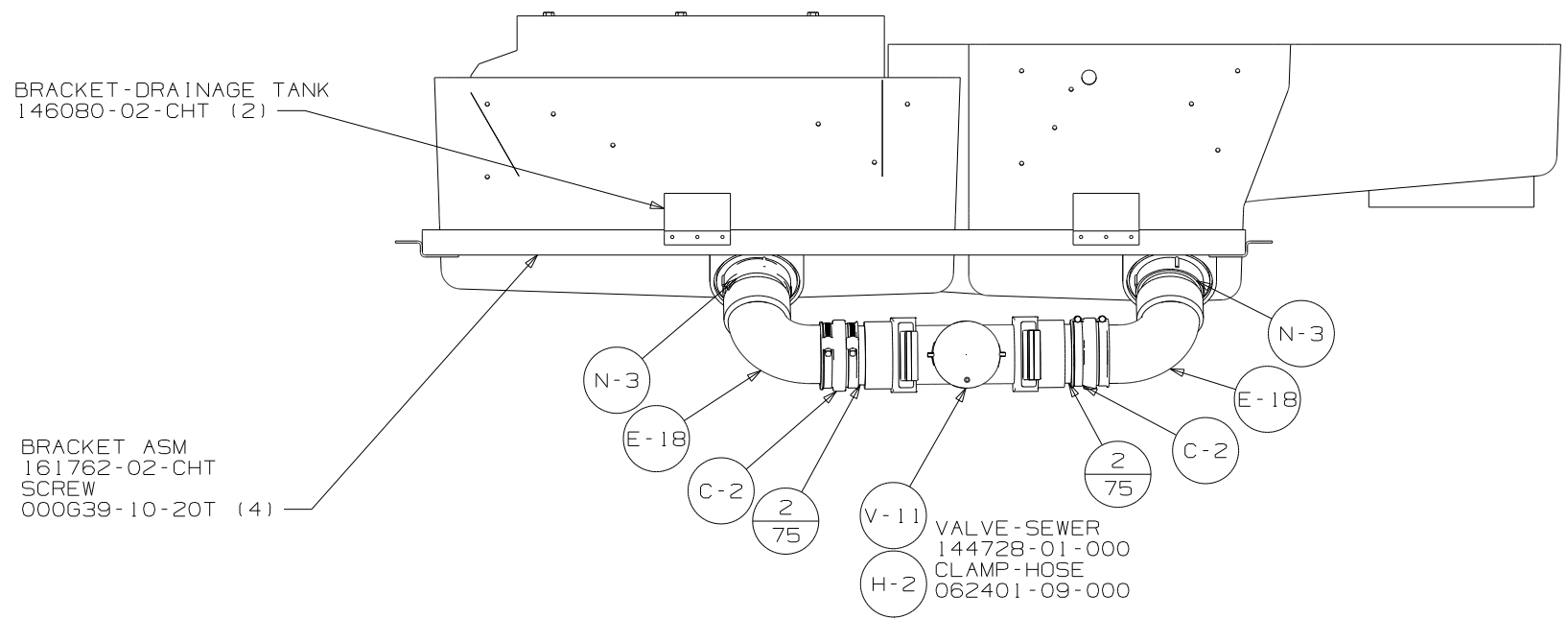
DETAIL F
(SHOWN W/OUT CABINETS AND FLOOR)



FIRST USED	11 P40U		
TITLE	DO NOT SCALE DRAWING		
	DRAINAGE SYSTEM INSTL		
SHEET 3	PART NO	174092	REV

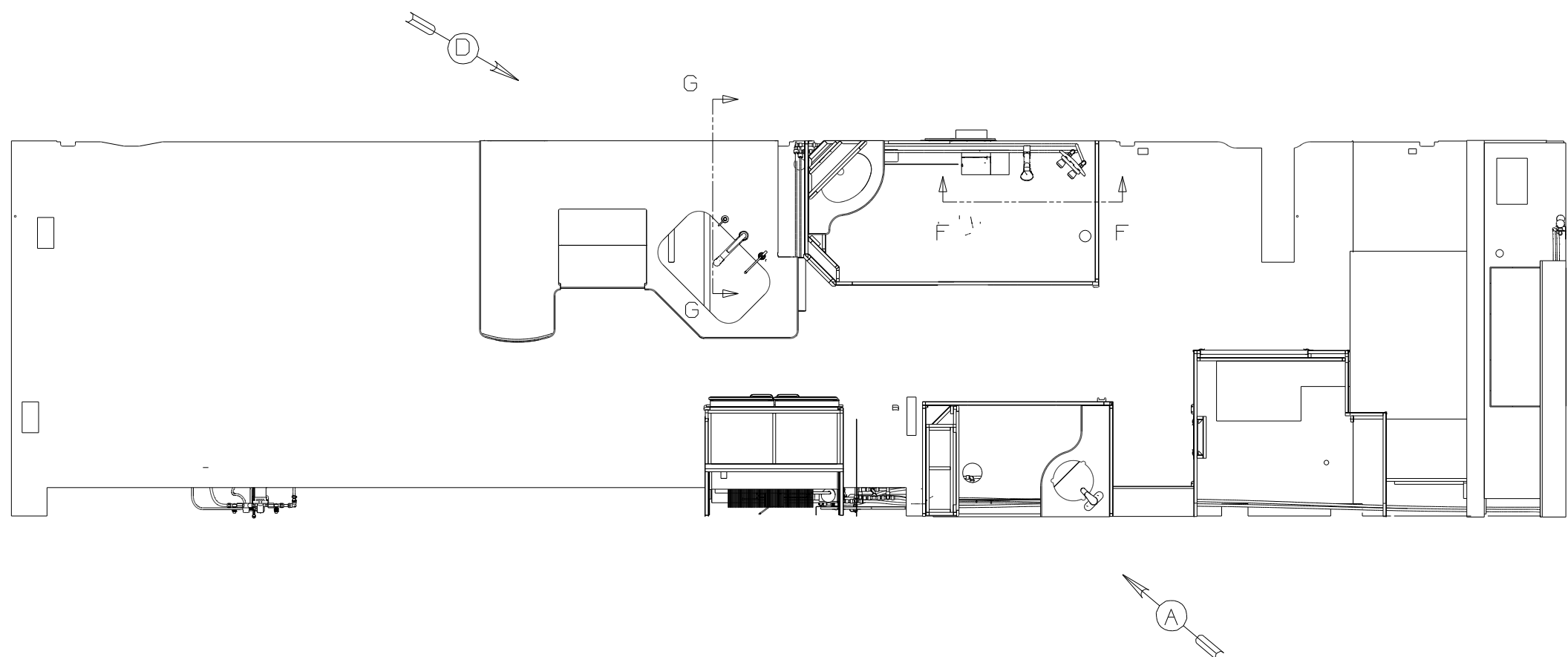


SHOWING ONLY DRAINS AND TANKS



VIEW H

FIRST USED	11 P40U
TITLE	DO NOT SCALE DRAWING
SHEET 4	PART NO 174092 REV
12/10/2010	



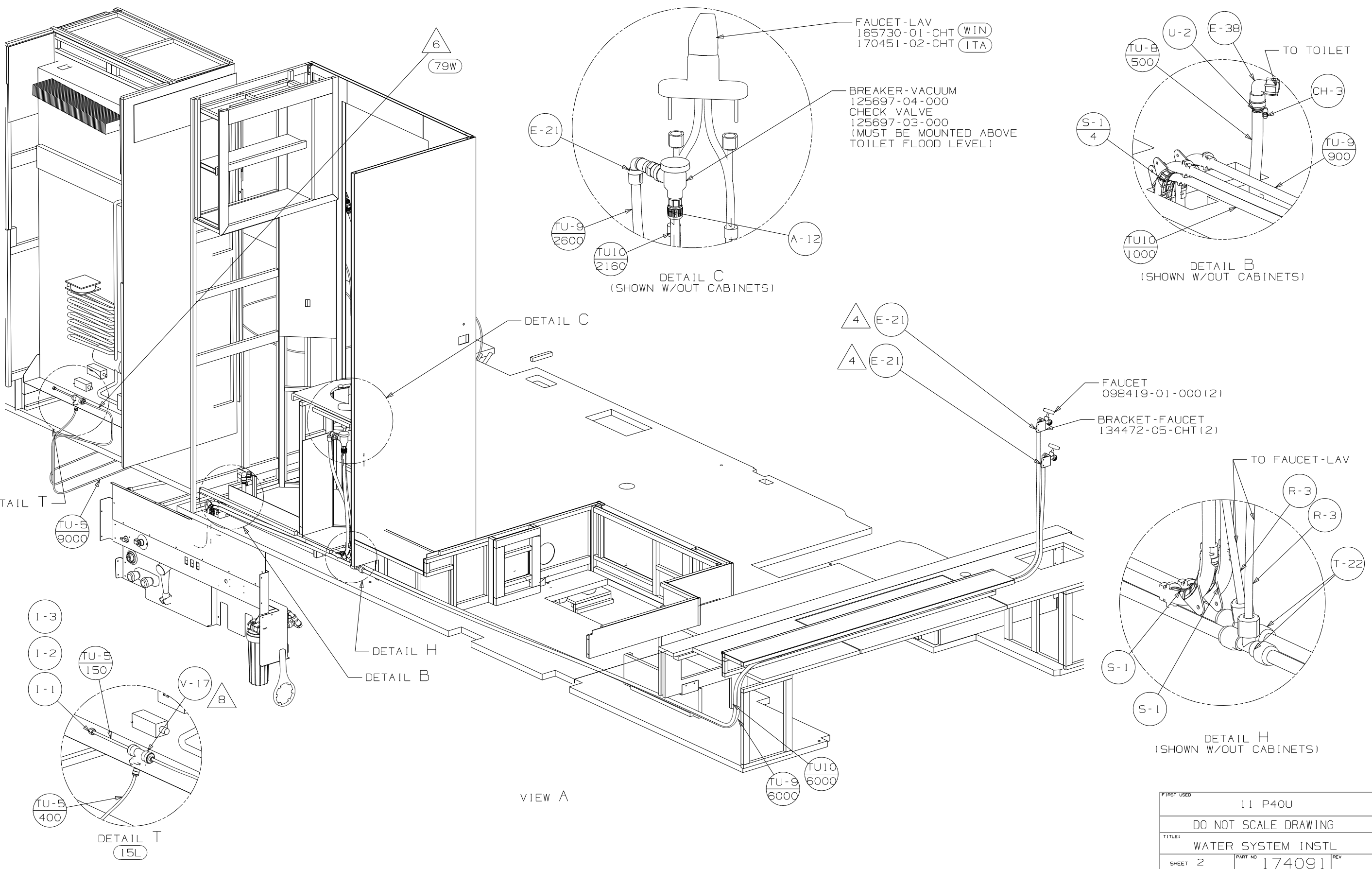
- 9 FAUCET TO BE TURNED SO SHOWER CONNECTION IS FACING UP. REVERSE H/C CAPS.
 - 8 VALVE MUST REMAIN OPEN AFTER WATER TEST.
 - 7 WIRE TIE WATER LINES W/FLEXIBLE DRAIN LINE.
 - 6 CLAMP ICEMAKER LINE TO SIDEWALL, AWAY FROM BURNER BOX ON REFRIGERATOR.
 - 5 ADD TEFLON TAPE 010405-02-000.
 - 4 ADD TEFLON TAPE 010405-01-000.
3. ALL TUBING TO BE SECURED AT 1200 INTERVALS MAXIMUM WITH CLAMP 010495-01-000 AND SCREW 000667-10-12B OR EQUIVALENT.
 2. TUBING TO BE INSTALLED WITH SUFFICIENT SLOPE TO PROVIDE DRAINAGE TO NEAREST VALVE.
 1. PLASTIC FITTINGS TO BE SEALED WITH SEALANT 084456-01-000.

- (15L) REFR/FRZR 2DOOR RESIDENTIAL
- (79W) REFRIGERATOR-4 DOOR
- (WIN) WINNEBAGO ONLY
- (ITA) ITASCA ONLY

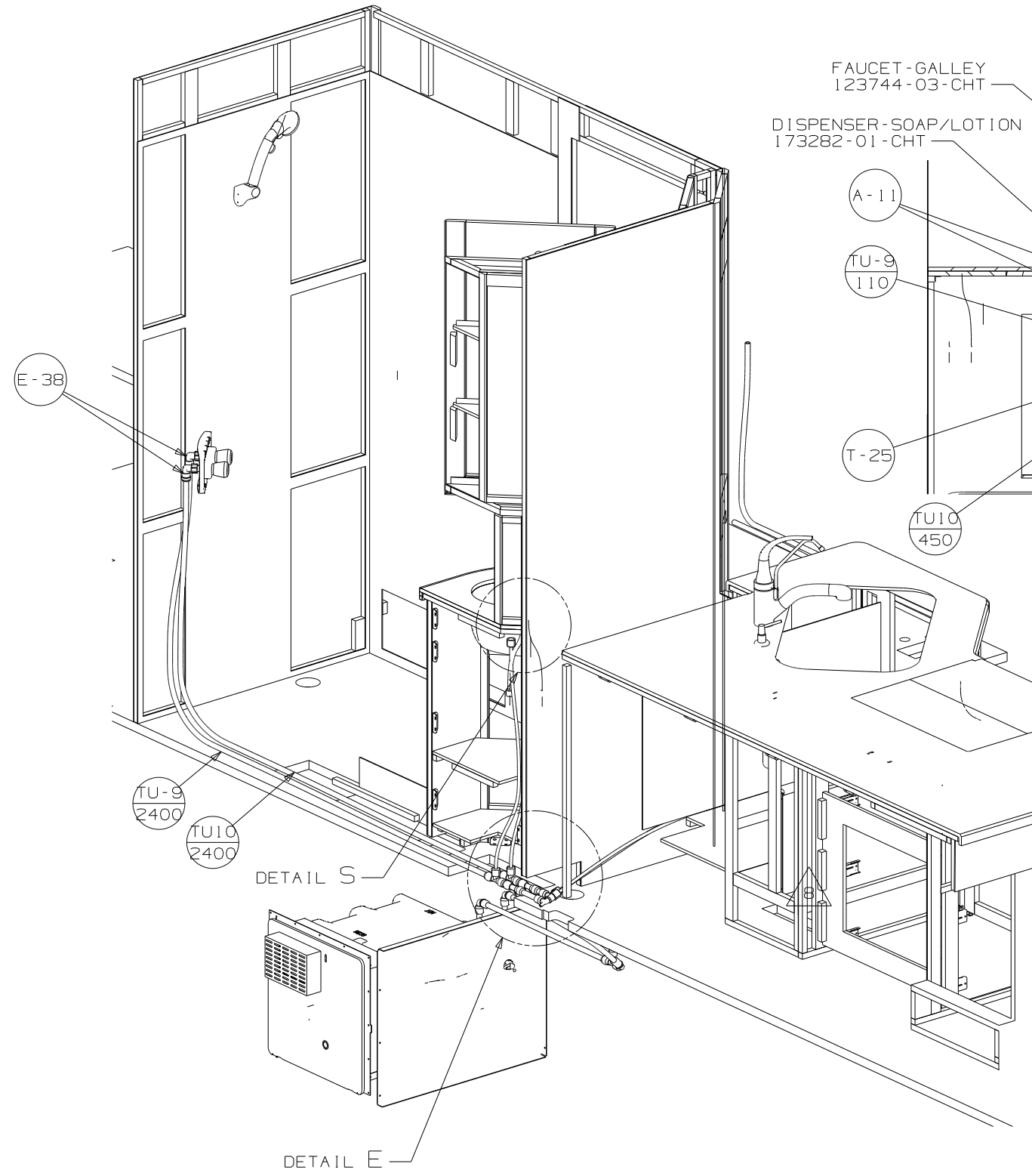
WINNEBAGO		COPYRIGHT 2010 WINNEBAGO INDUSTRIES, INC.	
DFTR	ORIG. DATE	ALL DIMENSIONS ARE IN MILLIMETERS	
CHKR		FIRST USED	
P.E.		11 P40U	
M.E.		UNSPECIFIED TOLERANCES ARE:	
DSNR		MATERIAL:	
		WHOLE DIM (X)	: 3
		ONE-PLACE (X.X)	: 1.5
		TWO-PLACE (X.XX)	: 0.50
		ANGLE	: 1°
THIRD ANGLE PROJECTION		DO NOT SCALE DRAWING REFER TO ES0018 FOR FASTENER TIGHTENING GUIDELINES	
TITLE: WATER SYSTEM INSTL			
SHEET 1 OF 5	PART NO	174091	REV
REF:	1 10/11/2010		

(X-X)
FOR
WATER
CALLOUTS
SEE DWG NO
116230-01-000

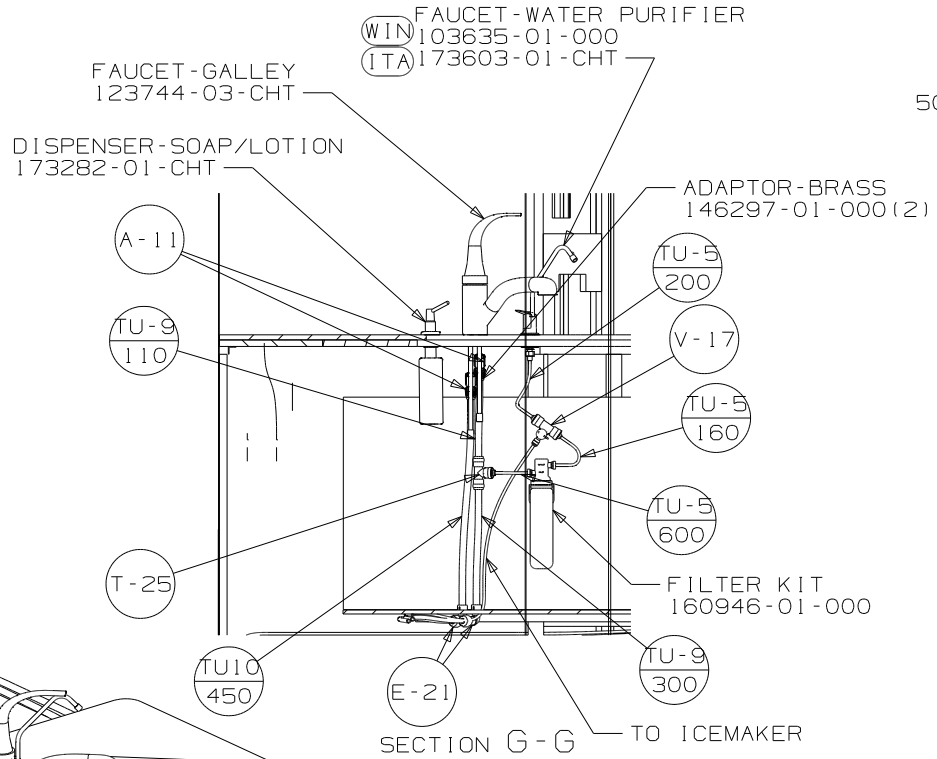
NOTES:



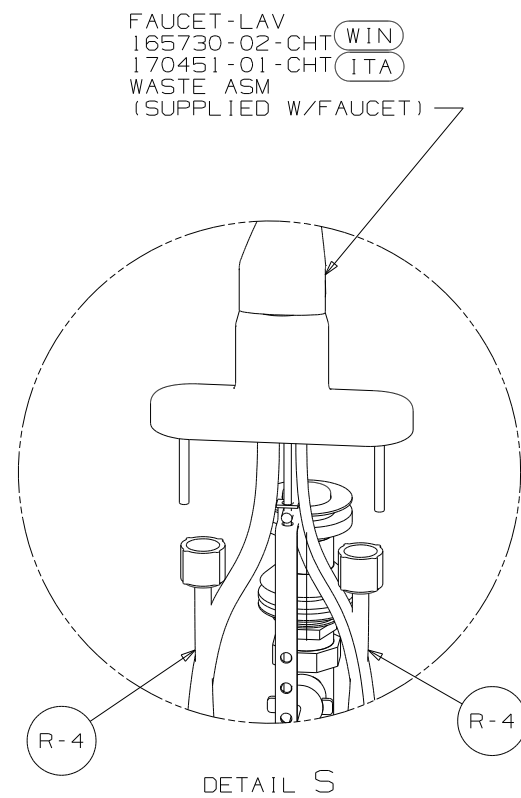
FIRST USED	11 P40U		
TITLE:	DO NOT SCALE DRAWING		
	WATER SYSTEM INSTL		
SHEET 2	PART NO	174091	REV



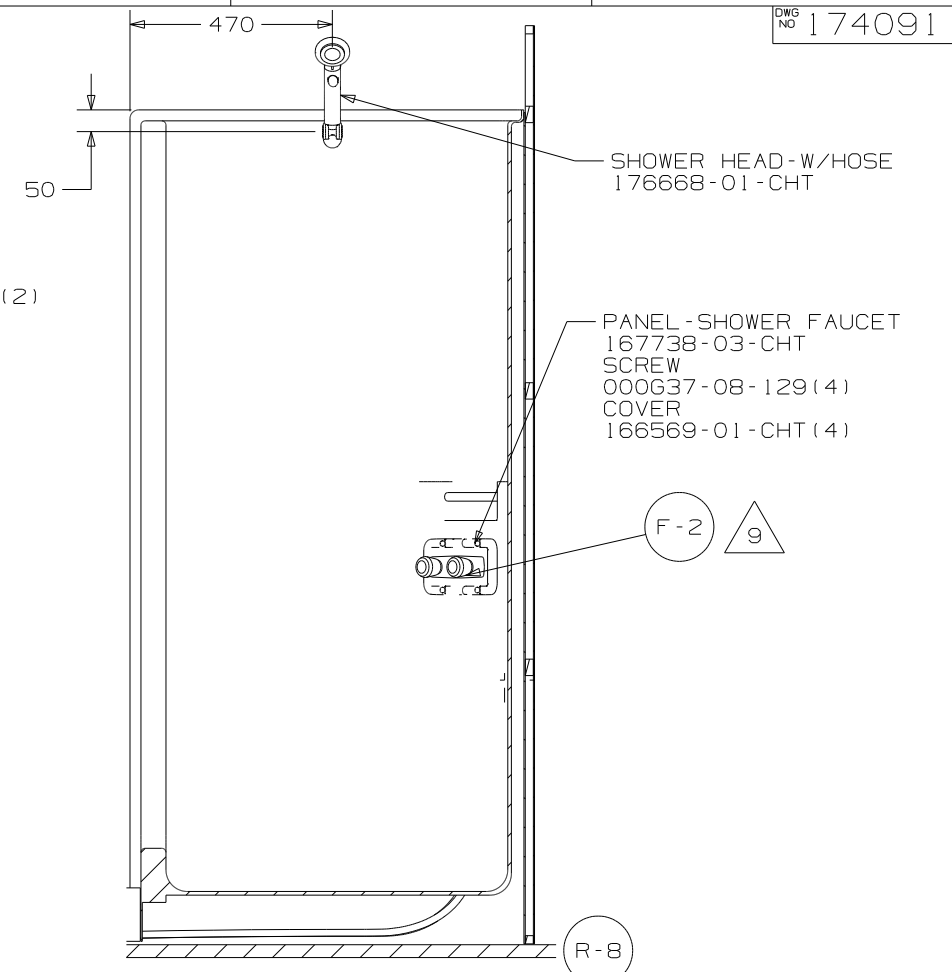
VIEW D



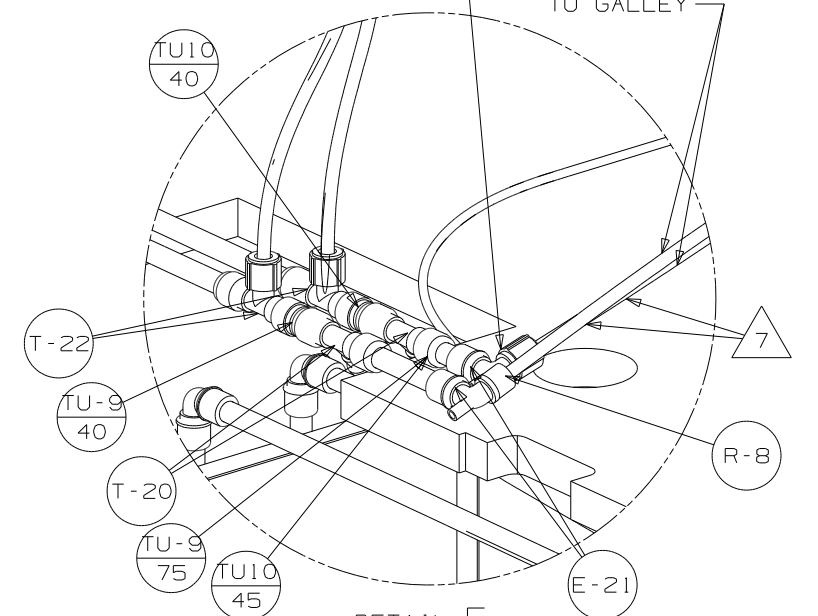
SECTION G-G TO ICEMAKER



DETAIL S

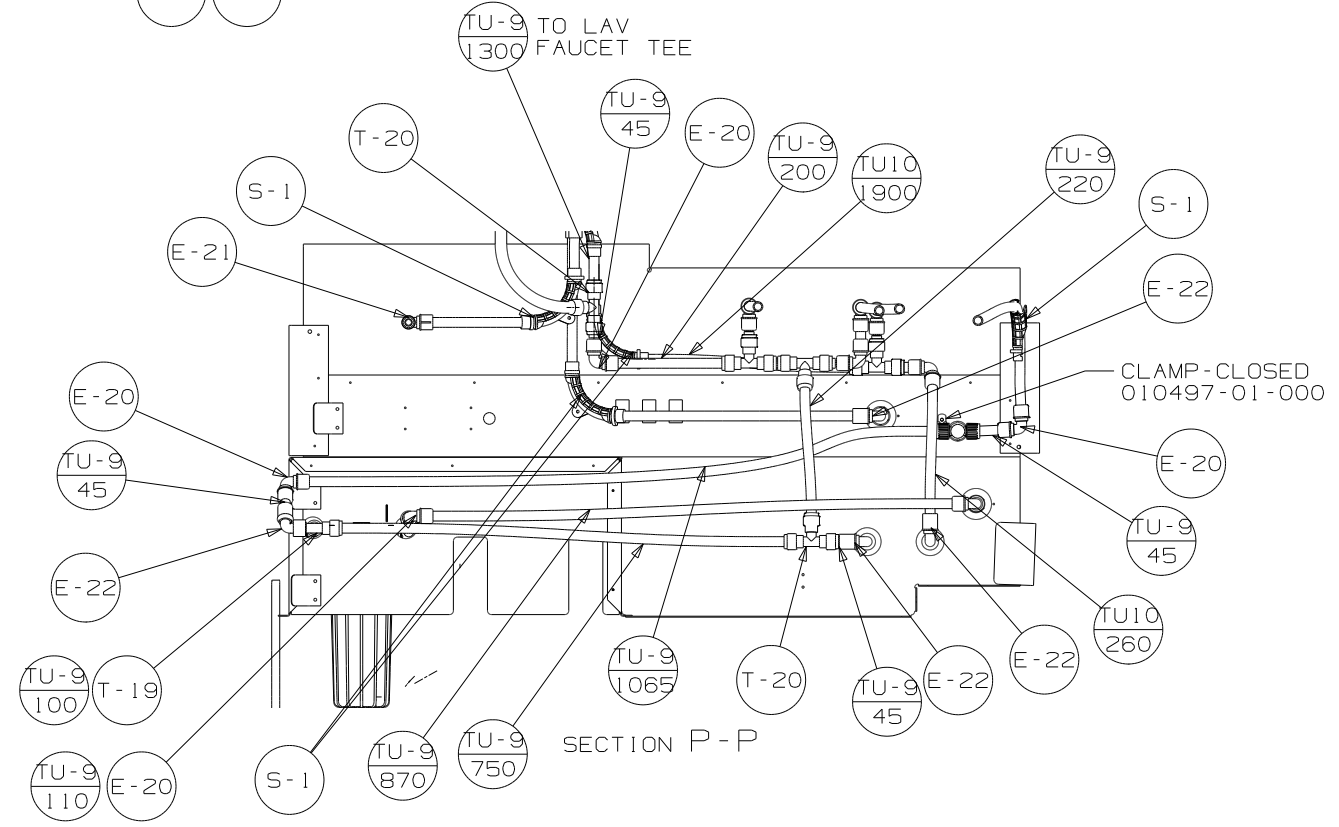
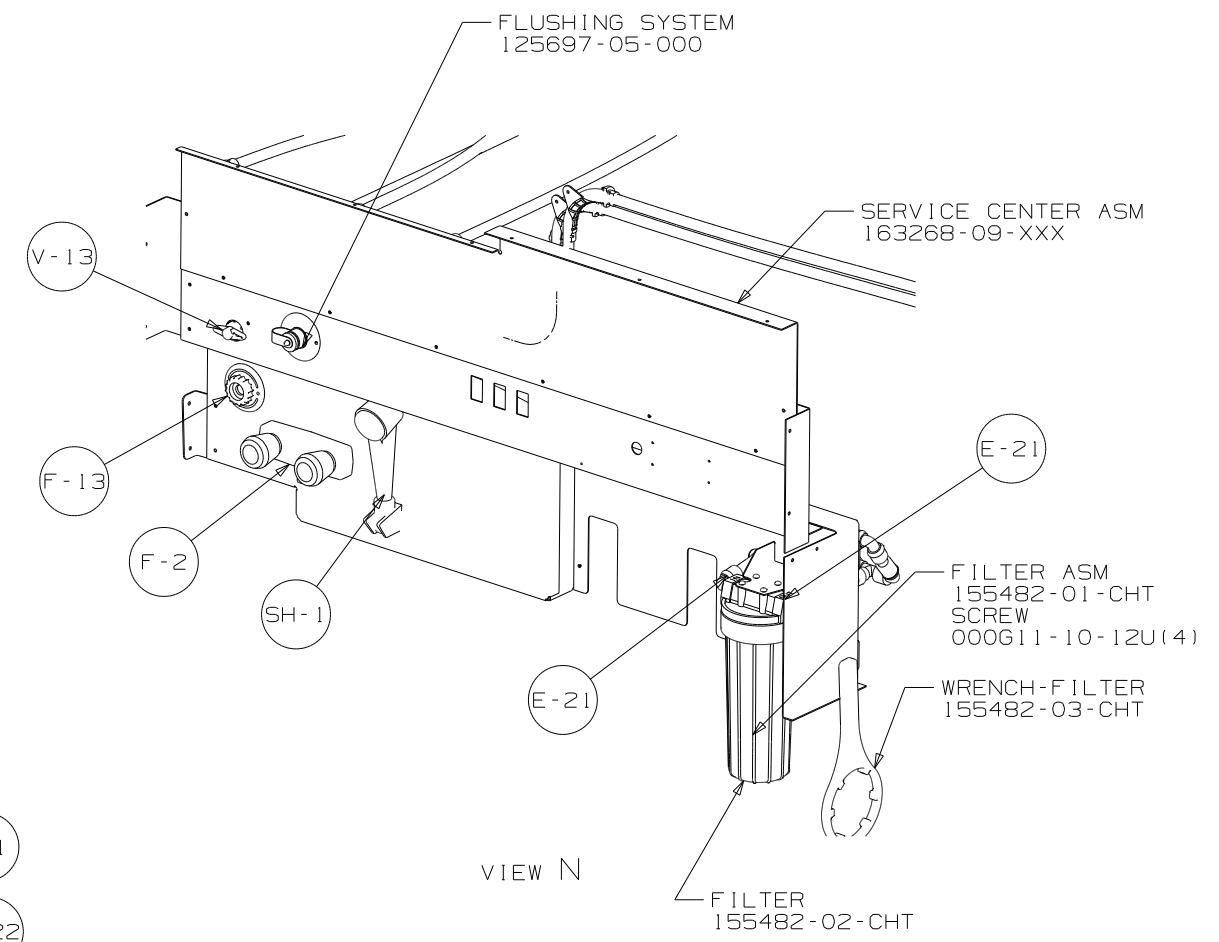
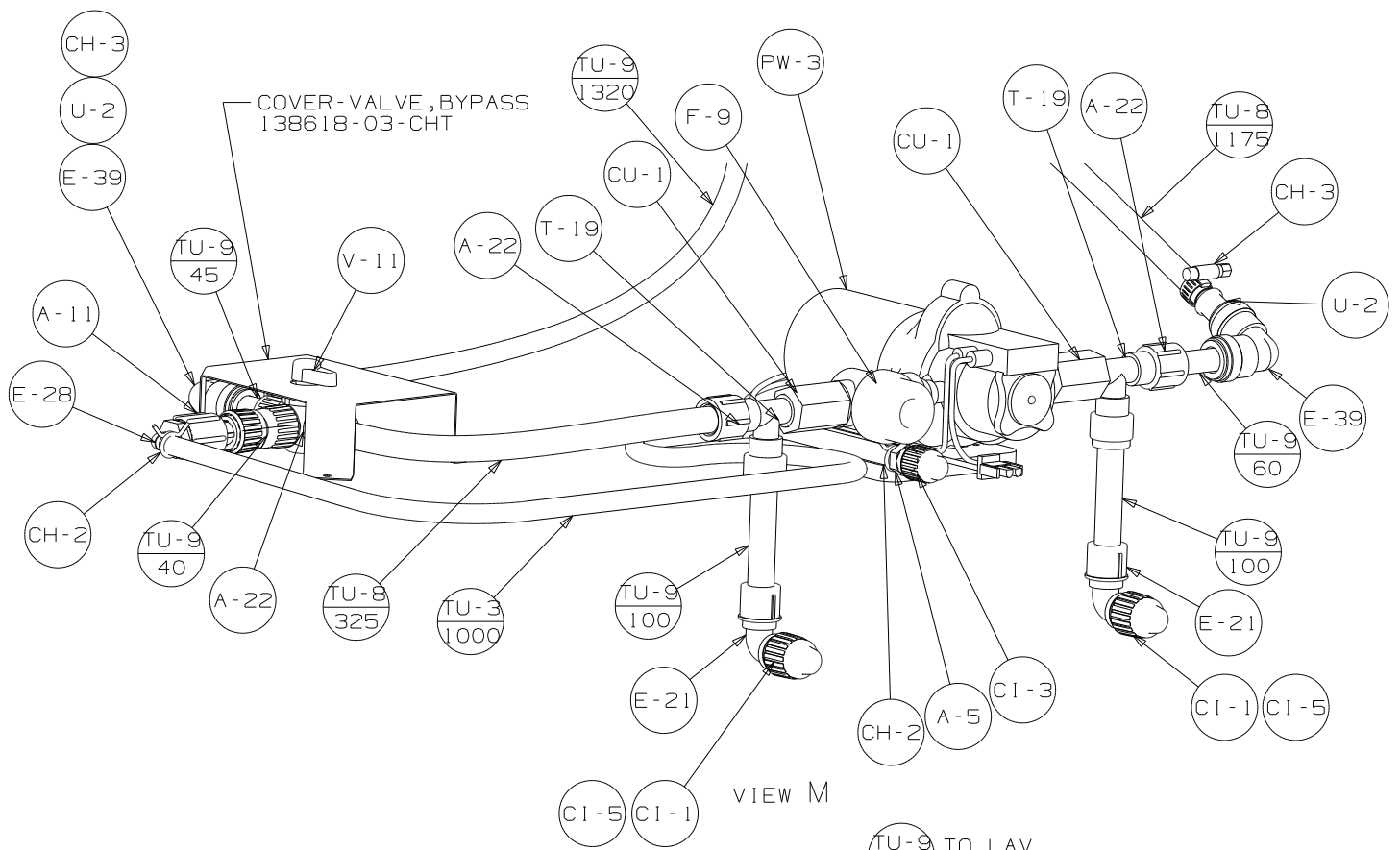


SECTION F-F



DETAIL E (SHOWN W/OUT CABINETS)

FIRST USED	11 P40U
TITLE:	DO NOT SCALE DRAWING
SHEET 3	PART NO 174091
	REV



FIRST USED	11 P40U		
TITLE:	DO NOT SCALE DRAWING		
	WATER SYSTEM INSTL		
SHEET 5	PART NO	174091	REV