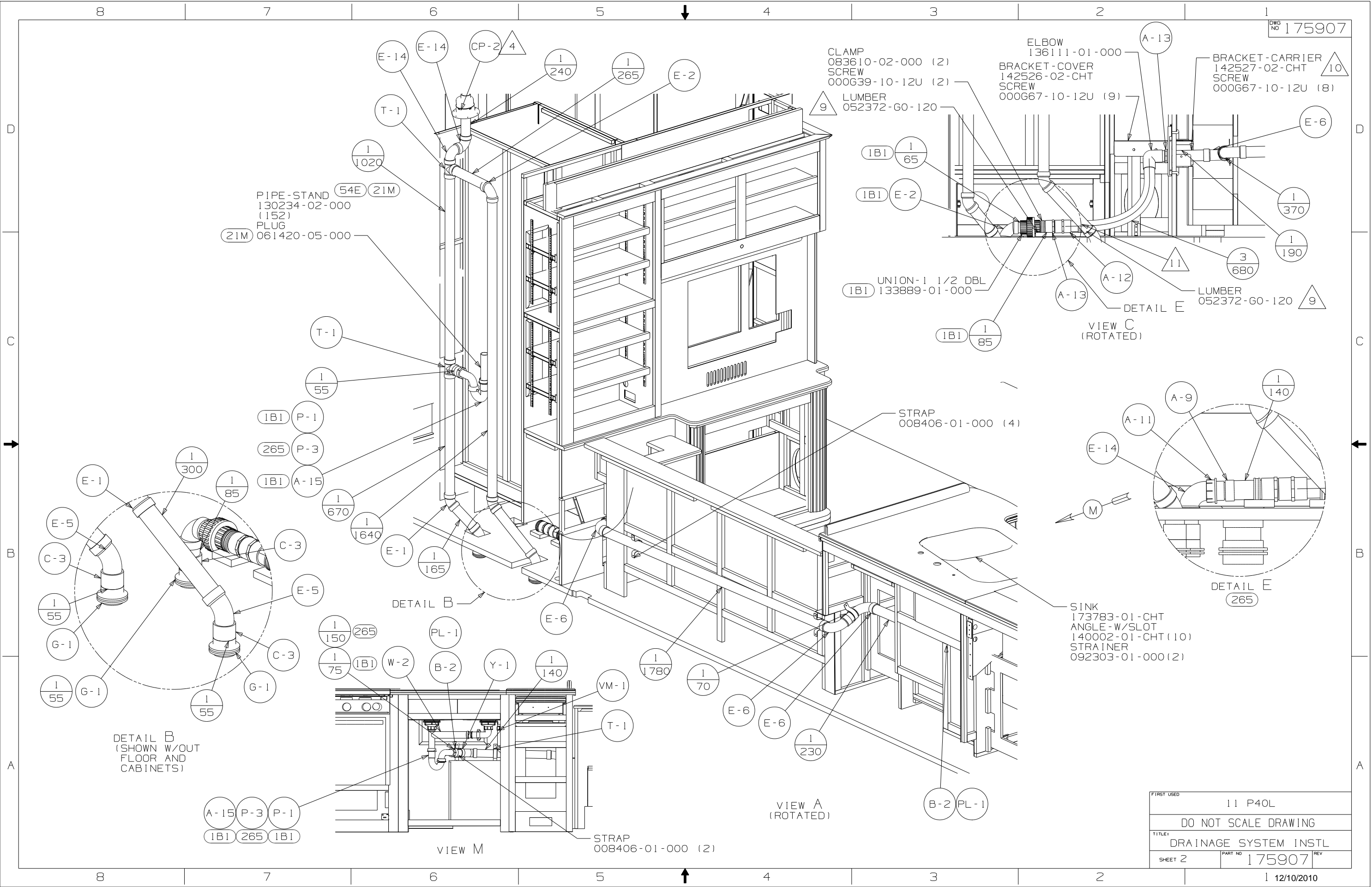


- 1. HOSE NEEDS TO BE LOOSE INSIDE OF CLAMP.
- 10. USE WIRE TIE 008343-03-000 (3) TO CLAMP DRAINAGE PIPE IN BRACKET.
- 9. LOCATE BETWEEN DRAINAGE HOLES IN UPPER FLOOR.
- 8. USE SMOOTH PLUMBERS PUTTY 167459-01-000 TO SEAL STRAINER (.2 PER STRAINER)
- 7. SEE DWG 061607-01-000 FOR INSTL OF GROMMETS.
- 6. SEAL ALL AROUND SHOWER WITH SILICONE.
- 5. SECURE VENT TUBES TO FLOOR WITH BRACKET.
- 4. VENT PIPE MUST PROJECT 51 MIN AND 64 MAX. ABOVE ROOF FOR PROPER FIT AND FUNCTION.
- 3. ALL PIPE AND FITTINGS TO BE ASSEMBLED WITH SOLVENT 004020-01-000.
- 2. SLOPE OF TRAP ARM MUST BE 6 PER 305.
- 1. SLOPE OF HORIZONTAL PIPING TO BE 6 PER 305 mm.

- (1B1) CODES/STANDARDS-USA
- (265) CODES/STDS-CSA/CMVSS
- (54E) WASHER/DRYER
- (21M) WASHER/DRYER PREP

WINNEBAGO		COPYRIGHT 2010 WINNEBAGO INDUSTRIES, INC.	
DFTR	ORIG. DATE		
CHKR	ALL DIMENSIONS ARE IN MILLIMETERS		
P.E.			
M.E.	FIRST USED		
DSNR	11 P40L		
UNSPECIFIED TOLERANCES ARE:		MATERIAL:	
WHOLE DIM (X)	: 3		
ONE-PLACE (X.X)	: 1.5		
TWO-PLACE (X.XX)	: 0.50		
ANGLE	: 1°		
THIRD ANGLE PROJECTION			
DO NOT SCALE DRAWING		REFER TO ES0018 FOR FASTENER TIGHTENING GUIDELINES	
TITLE: DRAINAGE SYSTEM INSTL			
SHEET 1 OF 4	PART NO	175907	REV
			12/10/2010

(X-X)
FOR
DRAINAGE
CALLOUTS
SEE DWG NO
116229-01-000



PIPE-STAND
130234-02-000
(152)
PLUG
061420-05-000
(21M)

CLAMP
083610-02-000 (2)
SCREW
000G39-10-12U (2)
LUMBER
052372-G0-120

ELBOW
136111-01-000
BRACKET-COVER
142526-02-CHT
SCREW
000G67-10-12U (9)

BRACKET-CARRIER
142527-02-CHT
SCREW
000G67-10-12U (8)

UNION-1 1/2 DBL
133889-01-000
(1B1)

LUMBER
052372-G0-120

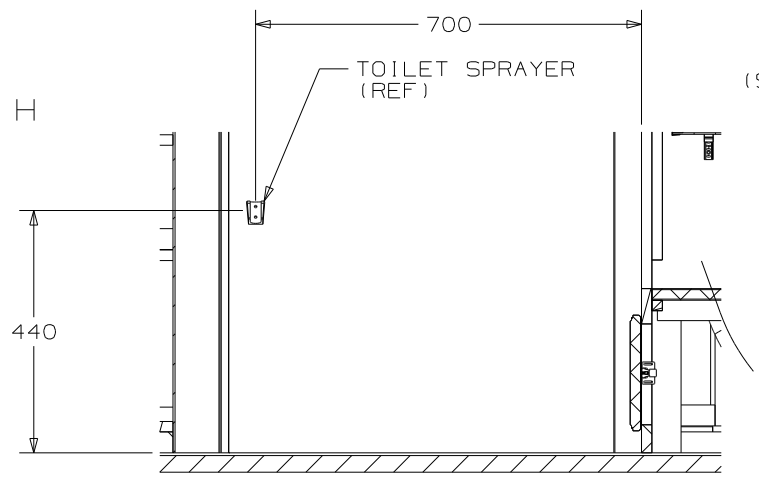
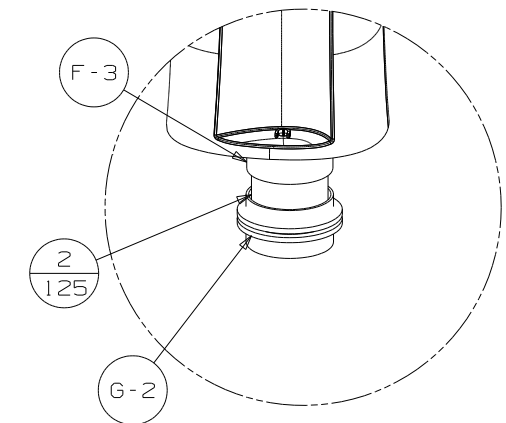
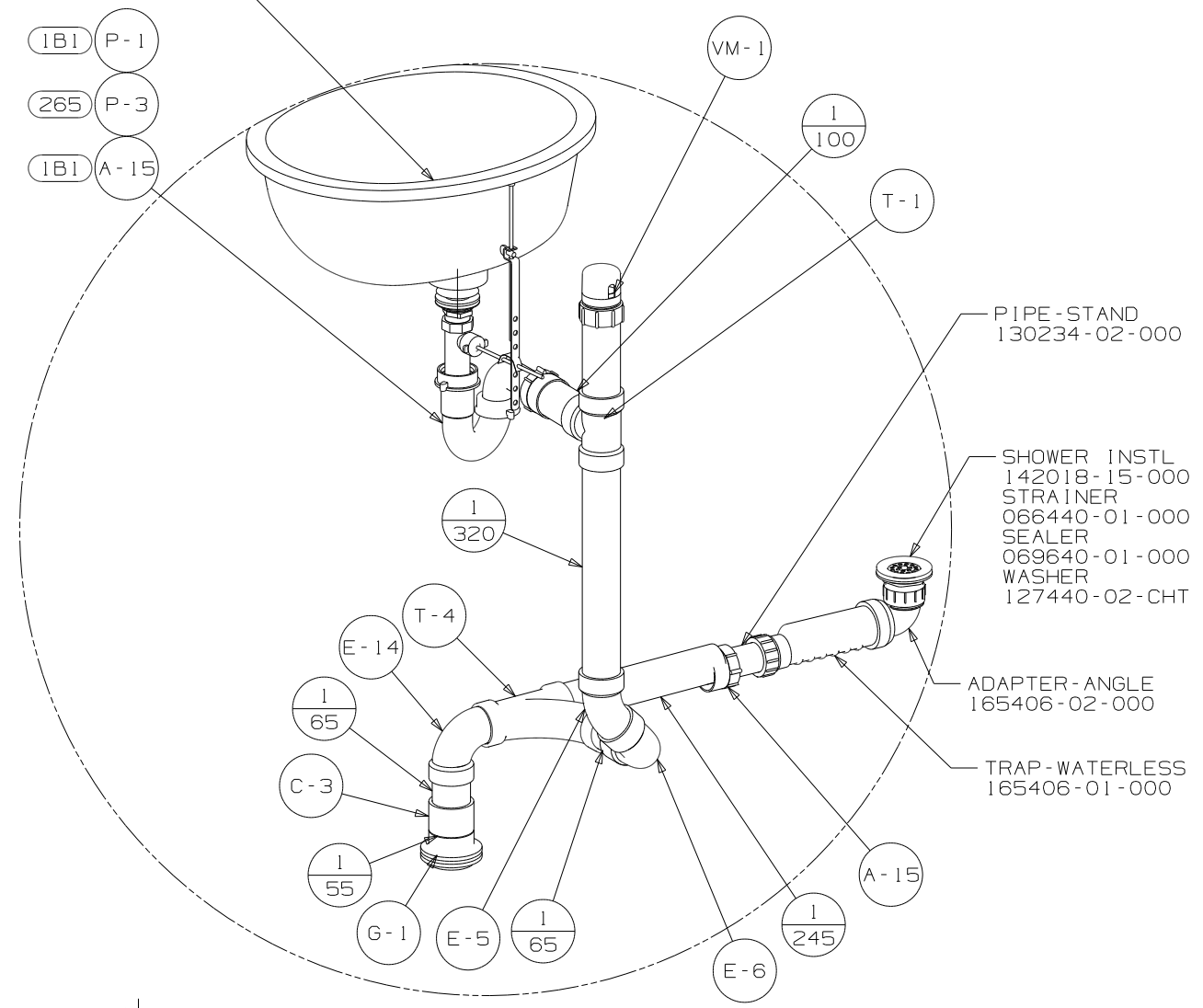
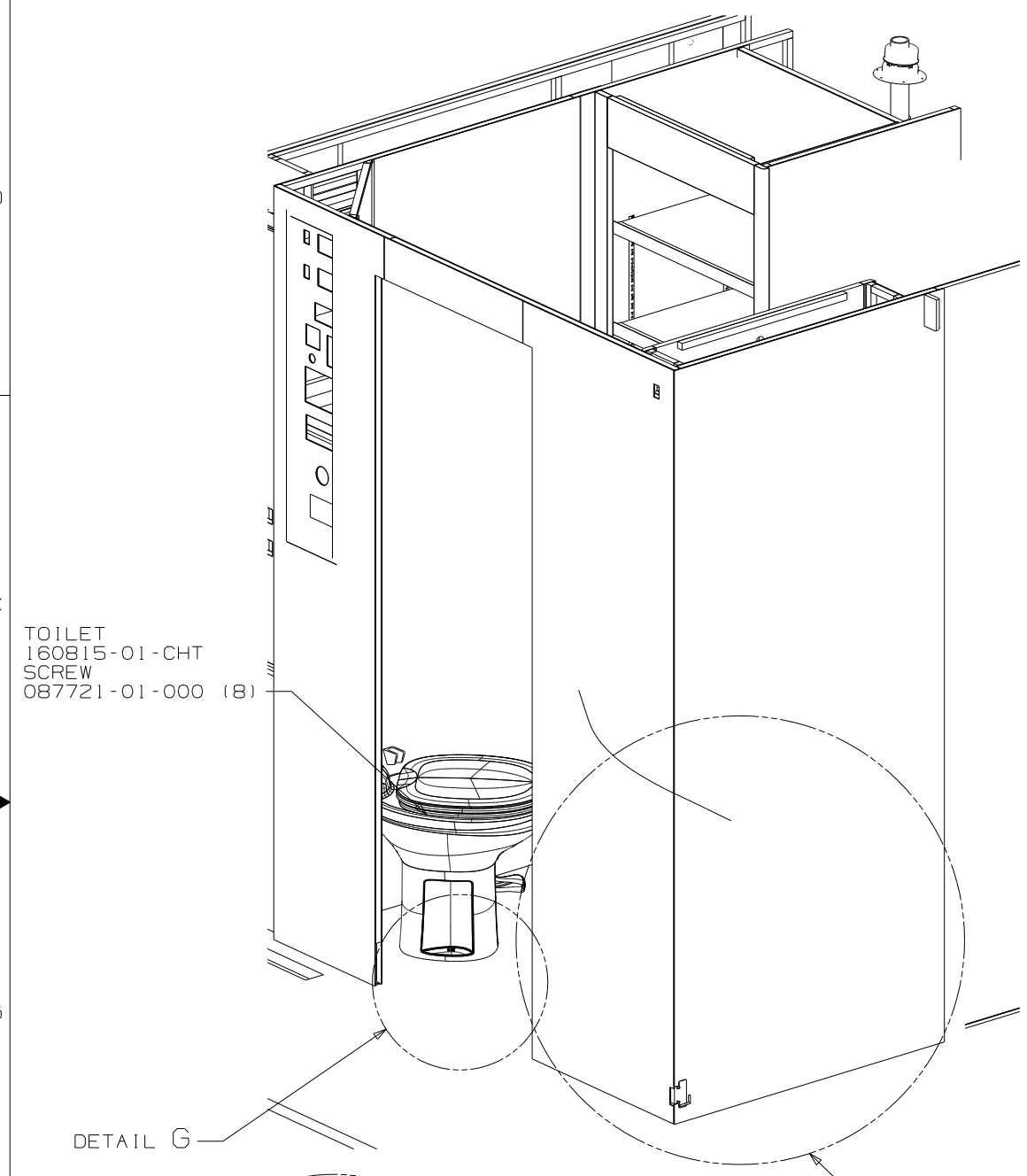
STRAP
008406-01-000 (4)

SINK
173783-01-CHT
ANGLE-W/SLOT
140002-01-CHT (10)
STRAINER
092303-01-000 (2)

STRAP
008406-01-000 (2)

FIRST USED	11 P40L
TITLE	DO NOT SCALE DRAWING
SHEET 2	DRAINAGE SYSTEM INSTL
PART NO	175907
REV	12/10/2010

SINK-LAV
 (SEE COUNTERTOP FOR SINK)
 WASTE ASM
 (SUPPLIED W/FAUCET)

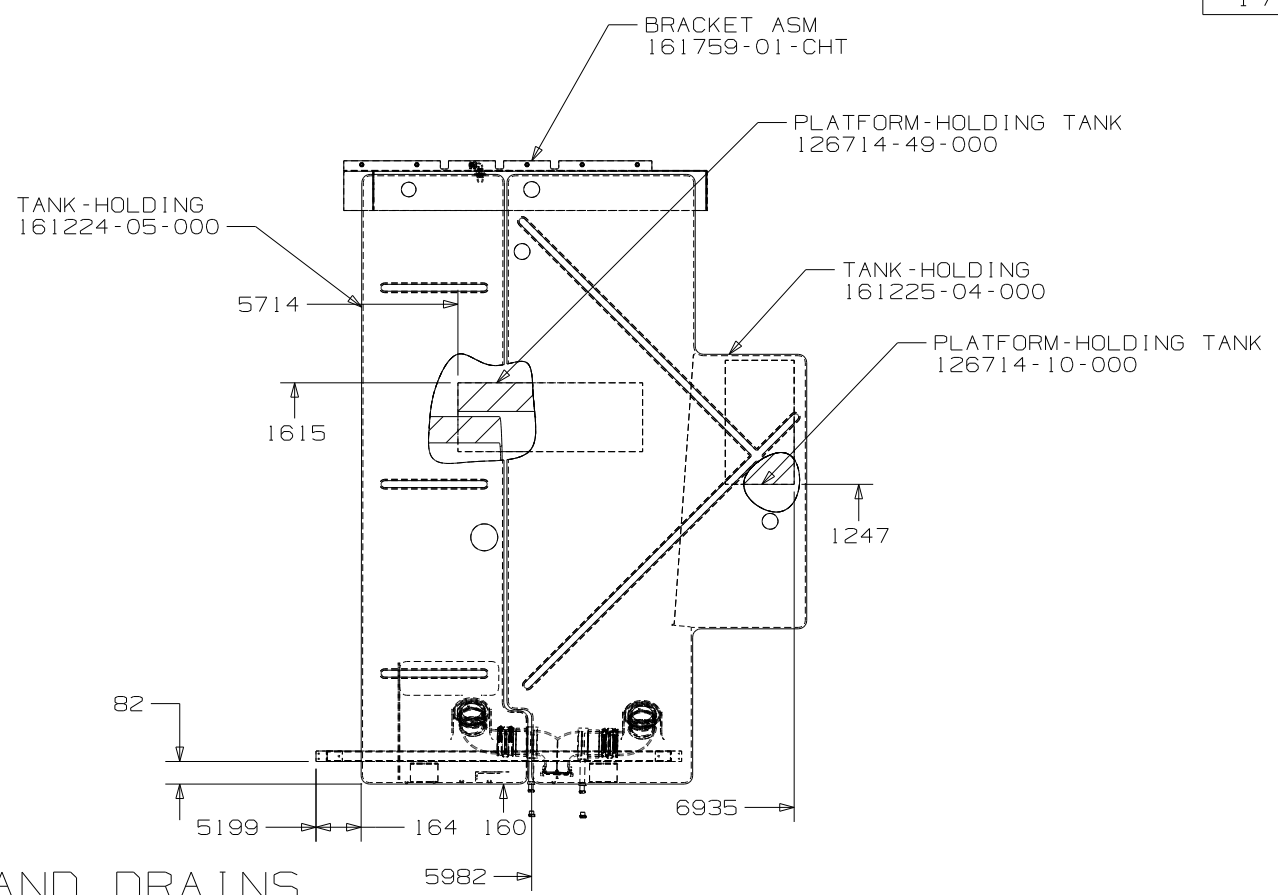
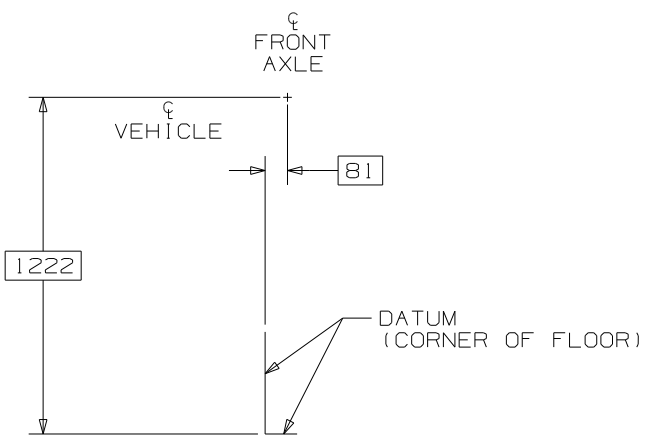


DETAIL H
 (SHOWN W/OUT FLOOR AND CABINETS)
 (SHOWN W/OUT SHOWER AND SHOWER PLATFORM)

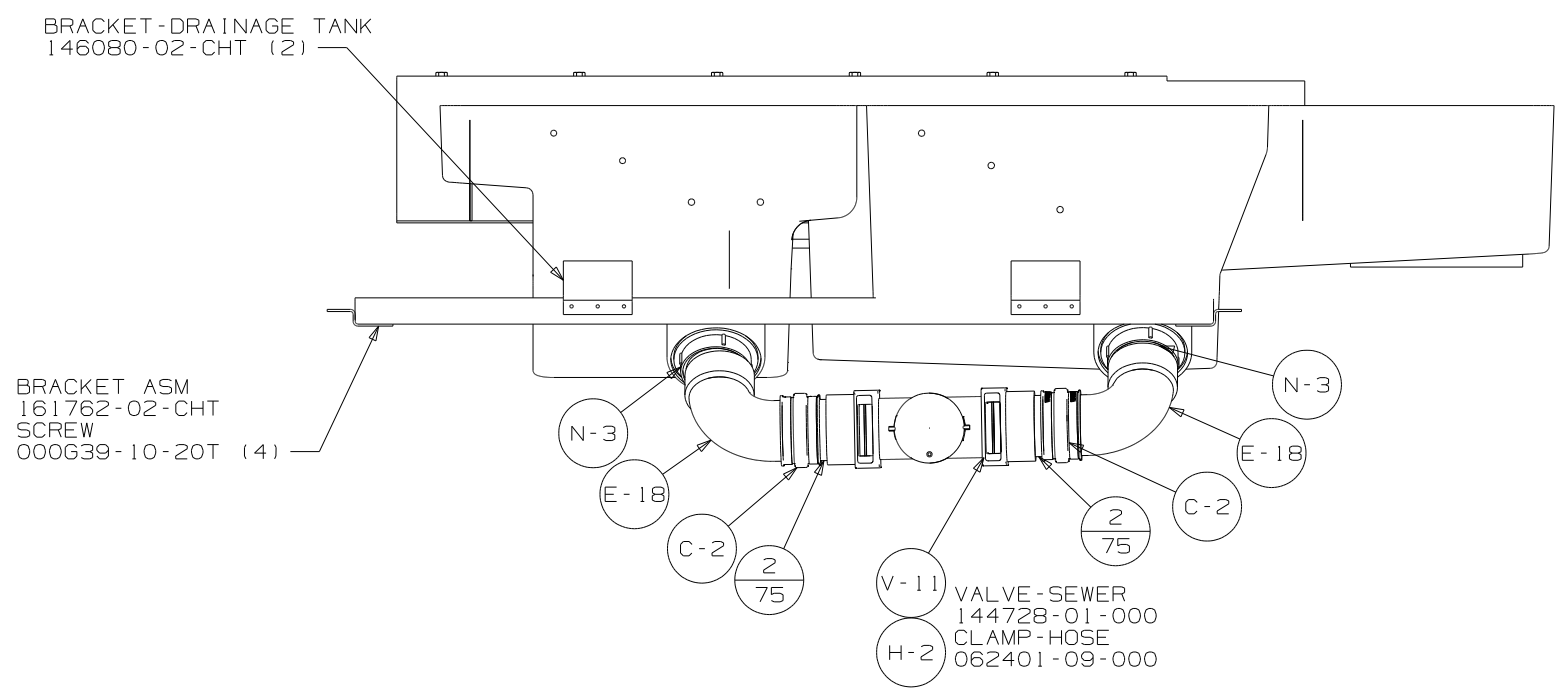
DETAIL G
 (SHOWN W/OUT FLOOR AND CABINETS)

SECTION M-M

FIRST USED	11 P40L
DO NOT SCALE DRAWING	
TITLE:	DRAINAGE SYSTEM INSTL
SHEET 3	PART NO 175907 REV

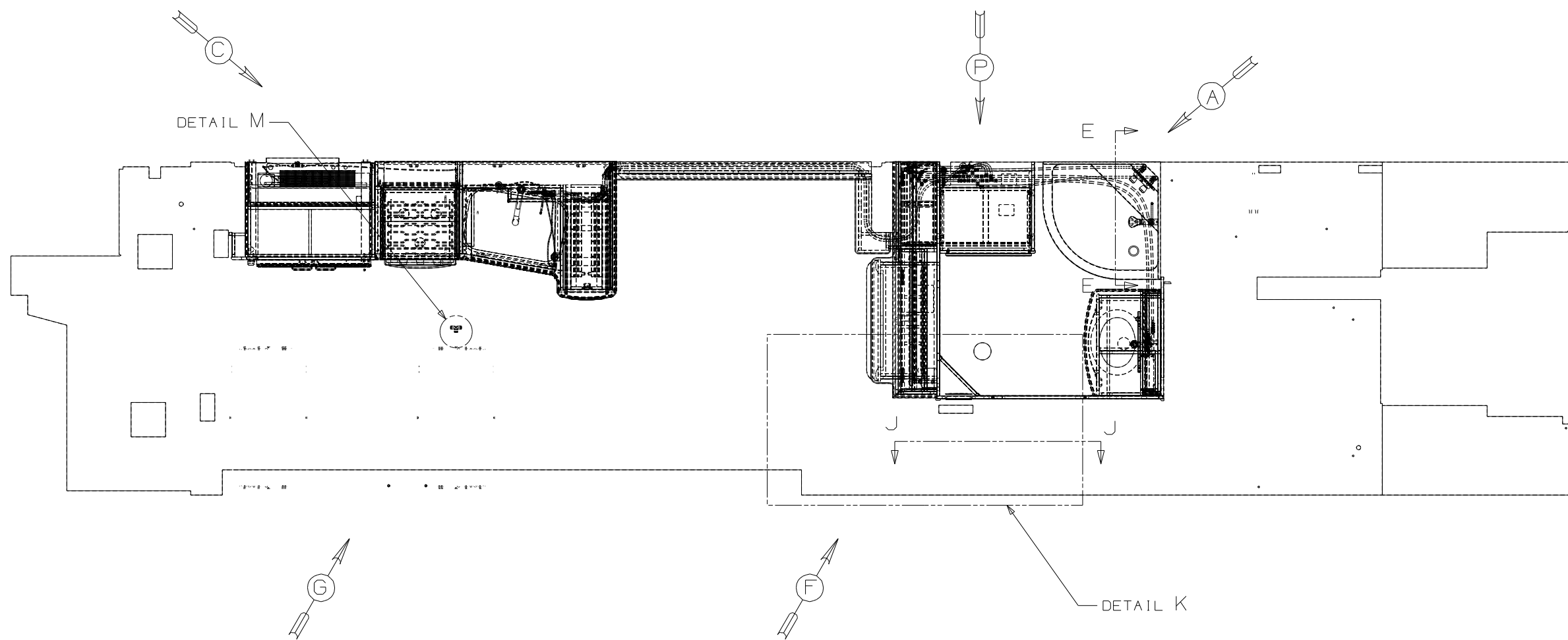


SHOWING ONLY TANKS AND DRAINS



VIEW J

FIRST USED	11 P40L
DO NOT SCALE DRAWING	
TITLE	DRAINAGE SYSTEM INSTL
SHEET 4	PART NO 175907 REV



- ⑨ VALVE MUST REMAIN OPEN AFTER WATER TEST.
 - ⑧ CLAMP ICEMAKER LINE TO SIDEWALL, AWAY FROM BURNER BOX ON REFRIGERATOR.
 - ⑦ ADD PIPE WRAP (LADDER SCRAP 110157-02-000) INSULATION.
 - ⑥ ADD TEFLON TAPE 010405-03-000.
 - ⑤ ADD TEFLON TAPE 010405-02-000.
 - ④ ADD TEFLON TAPE 010405-01-000.
3. ALL TUBING TO BE SECURED AT 1200 INTERVALS MAXIMUM WITH CLAMP 010495-01-000 AND SCREW 000667-10-12B OR EQUIVALENT.
 2. TUBING TO BE INSTALLED WITH SUFFICIENT SLOPE TO PROVIDE DRAINAGE TO NEAREST VALVE.
 1. PLASTIC FITTINGS TO BE SEALED WITH SEALANT 084456-01-000.

- ⑮ REF/FRZR 2DOOR RESIDENTIAL
- ⑮ WIN WINNEBAGO ONLY
- ⑮ ITA ITASCA ONLY

		COPYRIGHT 2010 WINNEBAGO INDUSTRIES, INC.
DFTR	ORIG. DATE	
CHKR	ALL DIMENSIONS ARE IN MILLIMETERS	
P.E.		
M.E.	FIRST USED	
DSNR	11 P40L	
UNSPECIFIED TOLERANCES ARE:		MATERIAL:
WHOLE DIM (X)	: 3	
ONE-PLACE (X.X)	: 1.5	
TWO-PLACE (X.XX)	: 0.50	
ANGLE	: 1°	
THIRD ANGLE PROJECTION		
DO NOT SCALE DRAWING		REFER TO ES0018 FOR FASTENER TIGHTENING GUIDELINES
TITLE: WATER SYSTEM INSTL		
SHEET 1 OF 5	PART NO 175909	REV
REF:	1 11/9/2010	

FOR WATER CALLOUTS SEE DWG NO 116230-01-000

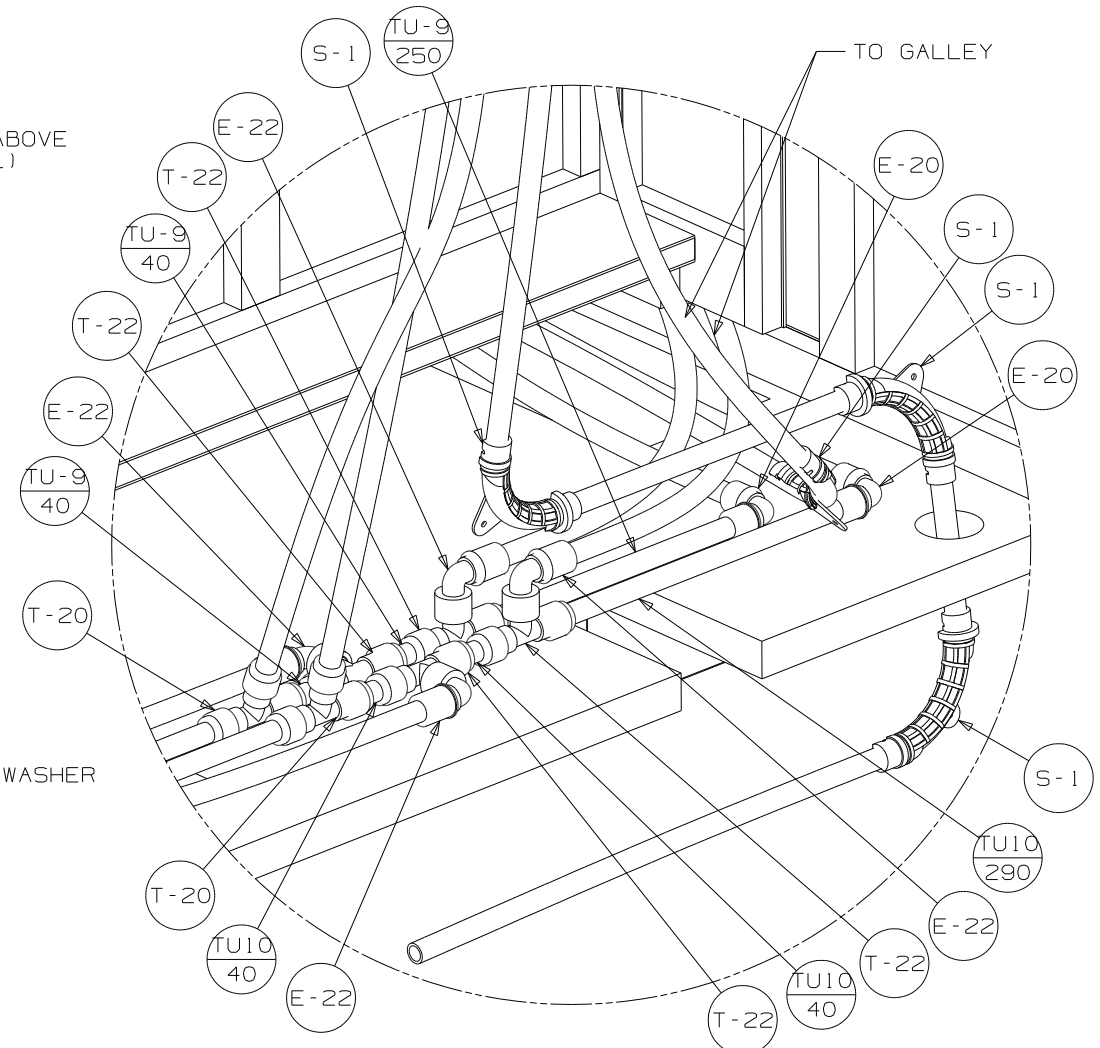
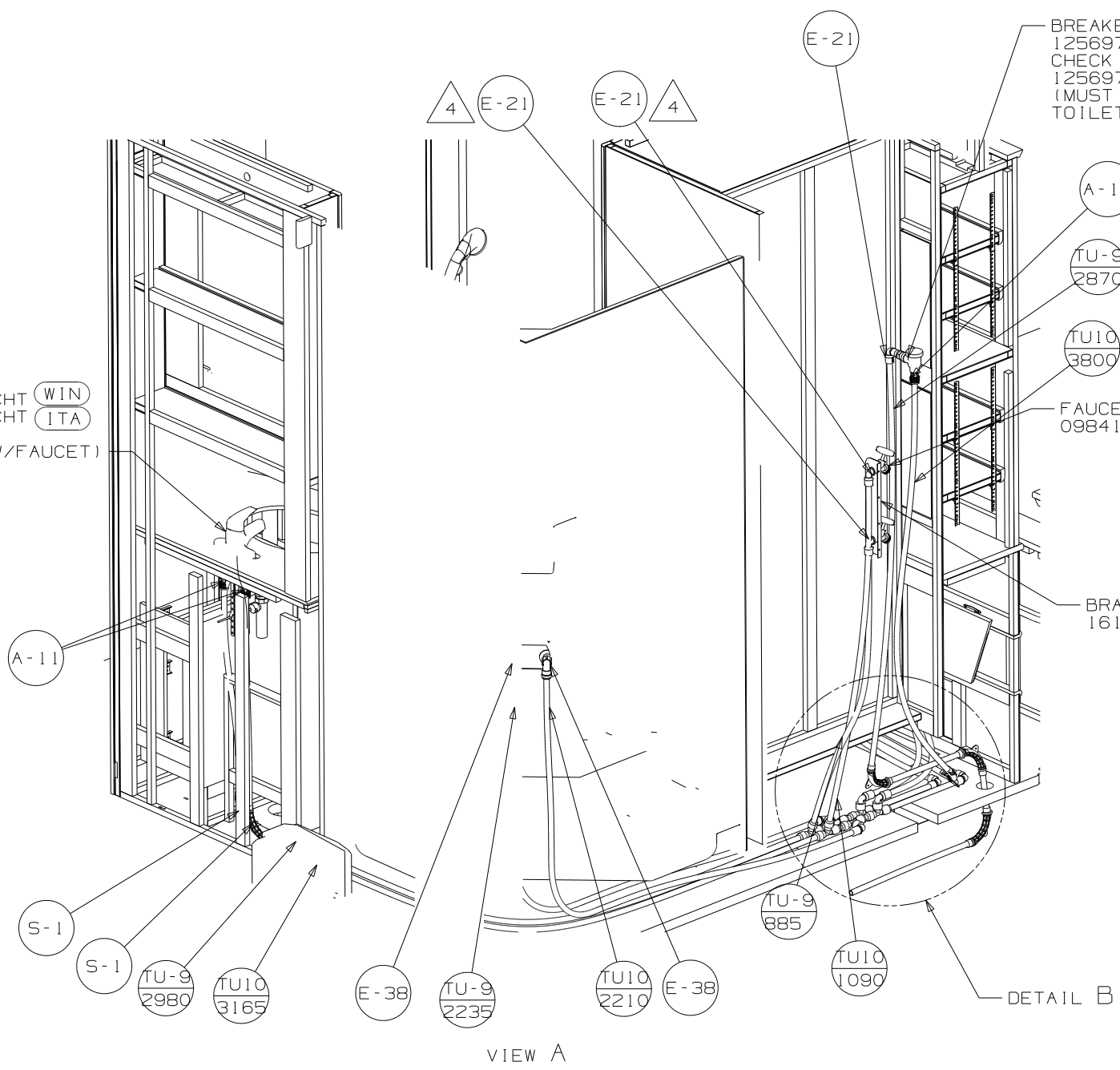
NOTES:

FAUCET-LAV
165730-02-CHT (WIN)
170451-01-CHT (ITA)
WASTE ASM
(SUPPLIED W/FAUCET)

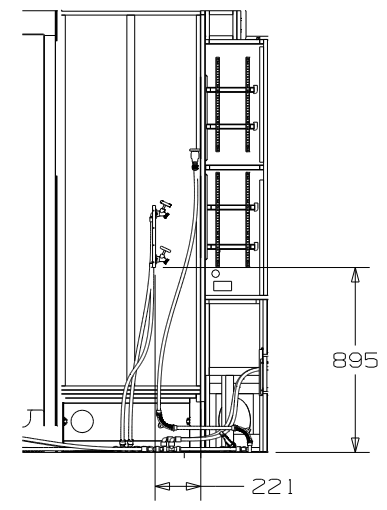
BREAKER-VACUUM
125697-04-000
CHECK VALVE
125697-03-000
(MUST BE MOUNTED ABOVE
TOILET FLOOD LEVEL)

FAUCET
098419-01-000 (2)

BRACKET-FAUCET, WASHER
161791-03-CHT



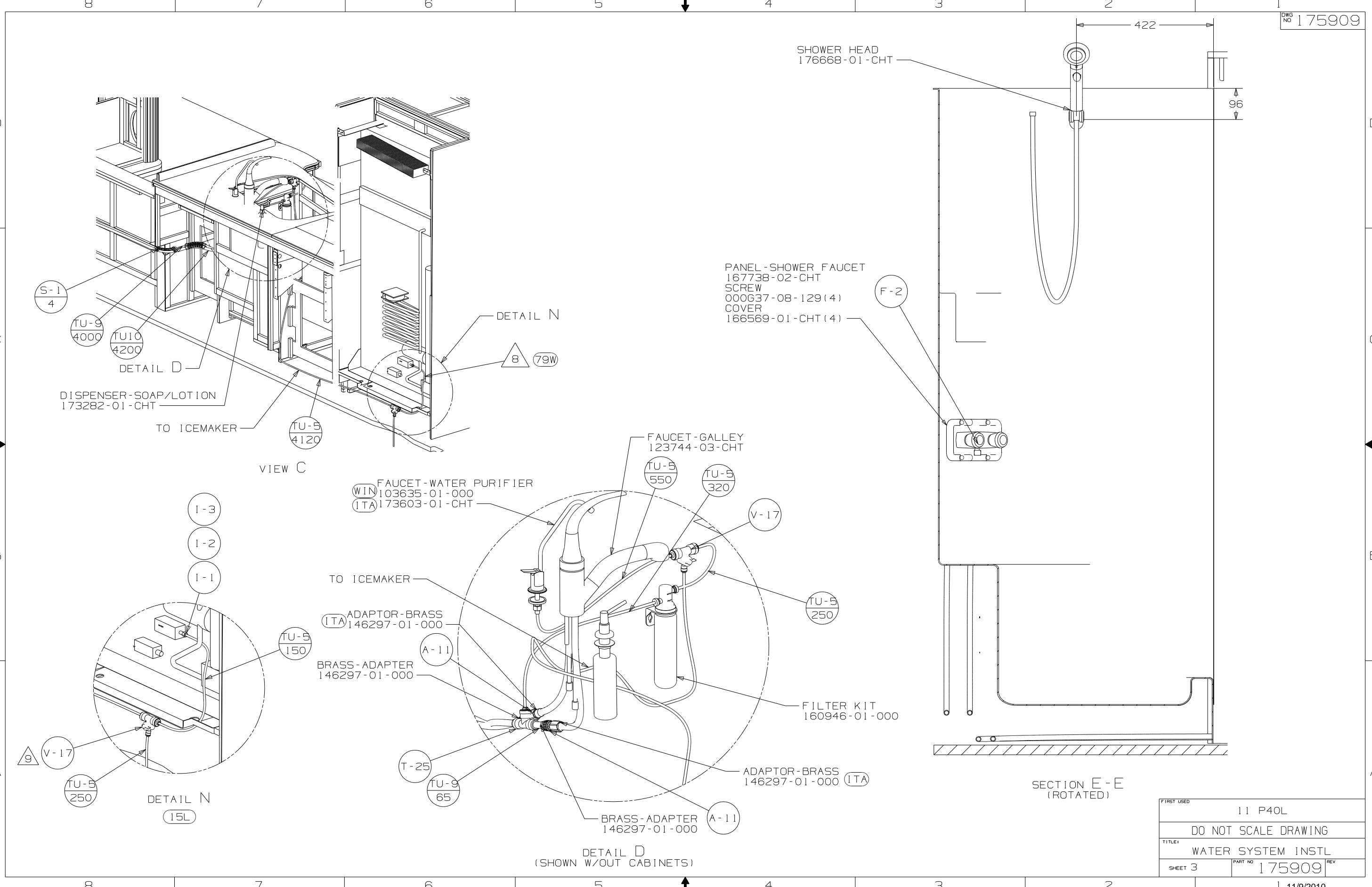
DETAIL B



VIEW P

VIEW A

FIRST USED	11 P40L
DO NOT SCALE DRAWING	
TITLE:	WATER SYSTEM INSTL
SHEET 2	PART NO 175909 REV



SHOWER HEAD
176668-01-CHT

PANEL-SHOWER FAUCET
167738-02-CHT
SCREW
000G37-08-129(4)
COVER
166569-01-CHT(4)

S-1
4
TU-9
4000
TU10
4200

DISPENSER-SOAP/LOTION
173282-01-CHT

TO ICEMAKER
TU-5
4120

VIEW C

FAUCET-WATER PURIFIER
WIN 103635-01-000
ITA 173603-01-CHT

FAUCET-GALLEY
123744-03-CHT

TU-5
550
TU-5
320

V-17

TO ICEMAKER

ADAPTOR-BRASS
ITA 146297-01-000

BRASS-ADAPTER
146297-01-000

TU-5
150

A-11

FILTER KIT
160946-01-000

TU-5
250

ADAPTOR-BRASS
146297-01-000 ITA

BRASS-ADAPTER
146297-01-000 A-11

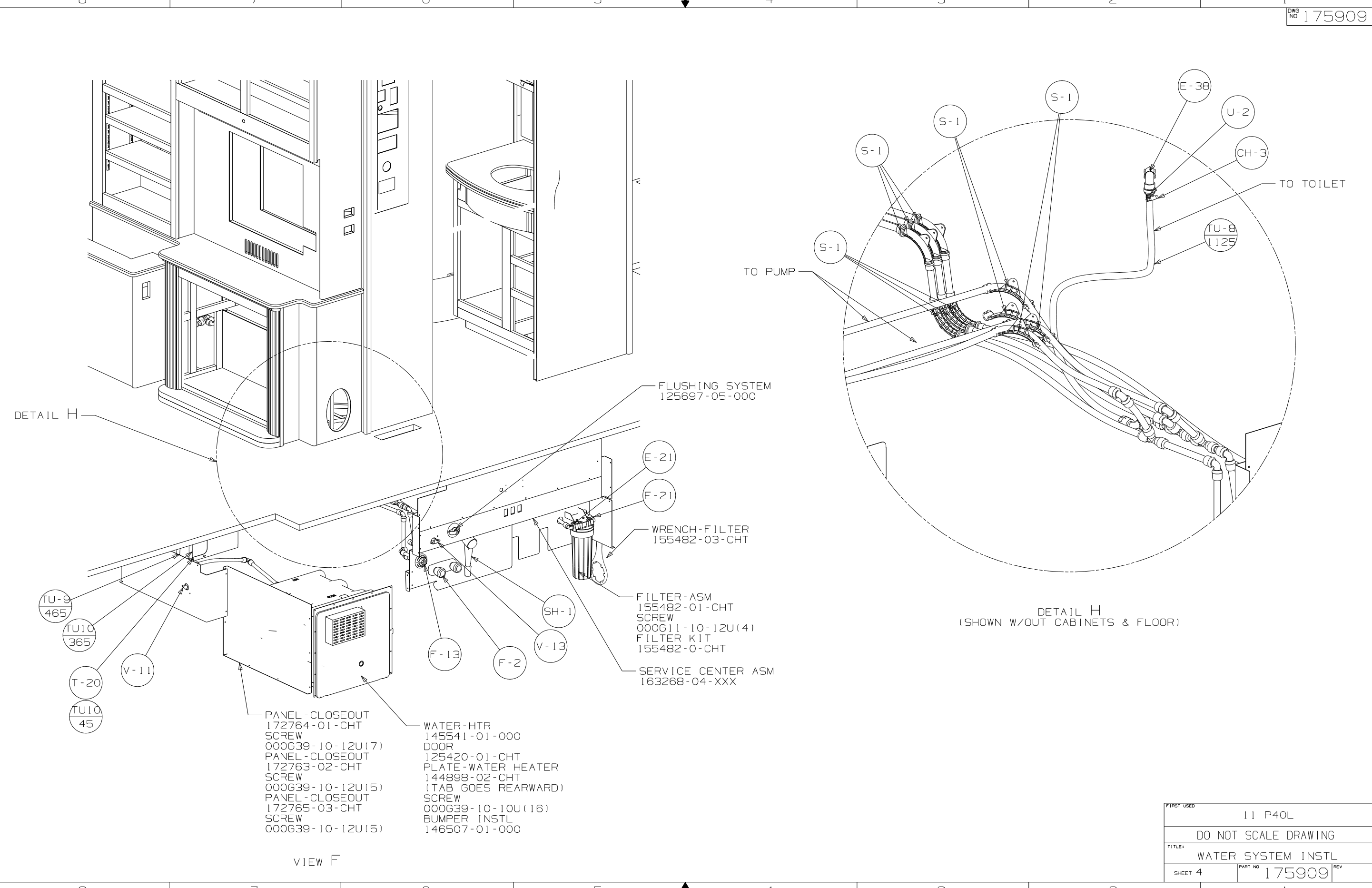
T-25

TU-9
65

DETAIL D
(SHOWN W/OUT CABINETS)

SECTION E-E
(ROTATED)

FIRST USED	11 P40L
TITLE	DO NOT SCALE DRAWING
TITLE	WATER SYSTEM INSTL
SHEET 3	PART NO 175909 REV



VIEW F

DETAIL H
(SHOWN W/OUT CABINETS & FLOOR)

FIRST USED	11 P40L
TITLE	DO NOT SCALE DRAWING
TITLE	WATER SYSTEM INSTL
SHEET 4	PART NO 175909 REV

