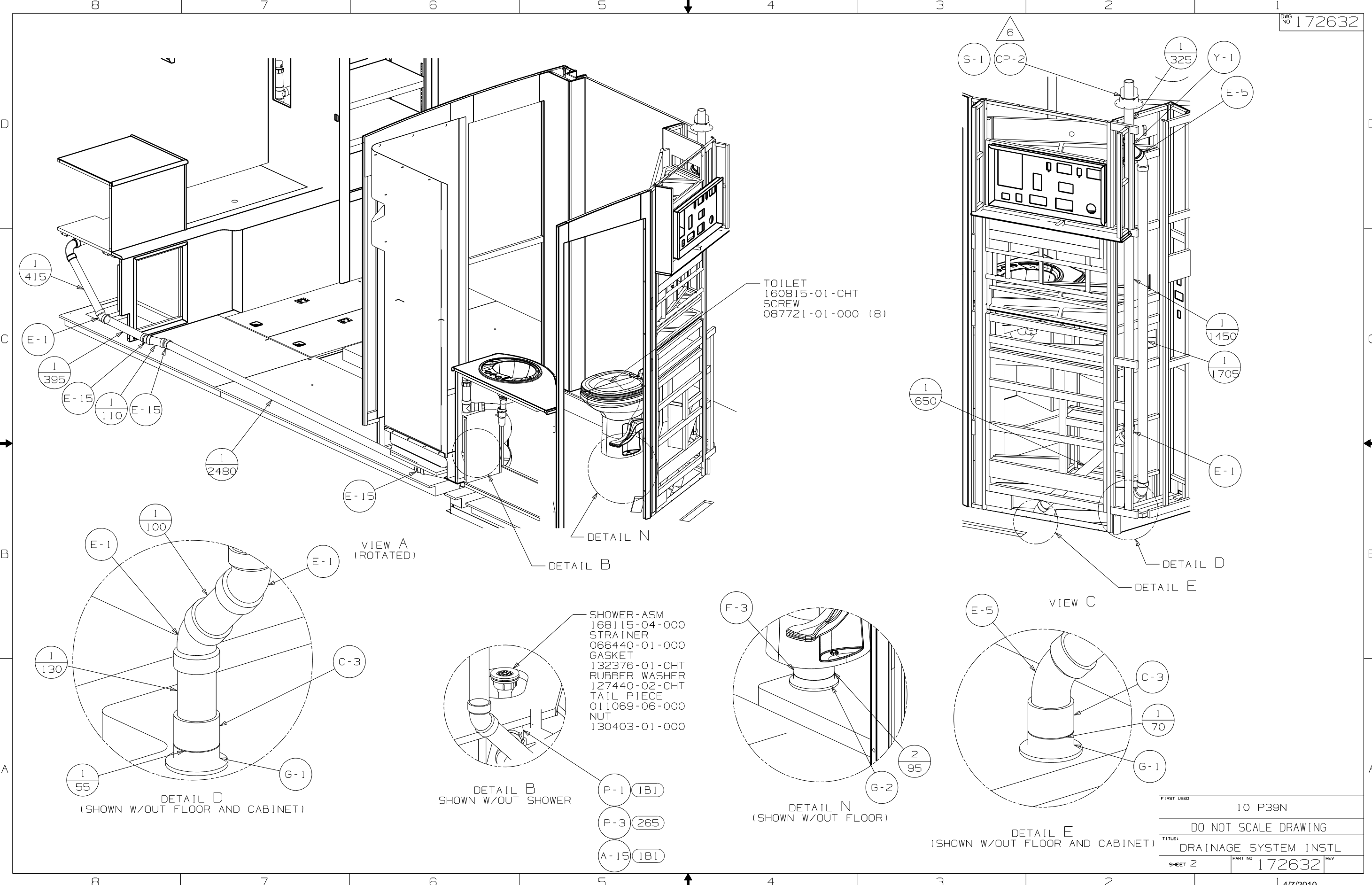


- (265) CODES/STANDARDS-CSA/CMVSS
- (1B1) CODES/STANDARDS-USA
- (54E) WASHER/DRYER
- (21M) WASHER/DRYER PREP
- (1D3) EXTERIOR ENT CTR - W/ TV
- (299) EXTERIOR ENT CTR - W/OUT

- NOTES:
9. SECURE PIPES TO FLOOR USING BRACKET 136878-01-CHT(3) CLAMP 062401-02-000(3) AND SCREW 000667-10-12B(3).
 8. SECURE PIPES TO CABINET USING WIRE TIE 108046-02-000 AND SCREW 000667-10-12U(8).
 7. SEE DWG 061607-01-000 FOR INSTL OF GROMMET.
 6. VENT PIPE MUST PROJECT 51 MIN AND 64 MAX ABOVE ROOF FOR PROPER FIT AND FUNCTION.
 5. SEAL AROUND SHOWER WITH SILICONE.
 4. USE SMOOTH PLUMBERS PUTTY 167459-01-000 TO SEAL STRAINER (0.2 PER STRAINER).
 3. ALL PIPE AND FITTINGS TO BE ASSEMBLED WITH SOLVENT 004020-01-000 (US) 004020-02 (CAN).
 2. SLOPE OF TRAP ARM MUST BE 6 PER 305 mm.
 1. SLOPE OF HORIZONTAL PIPING TO BE MIN 3 PER 305 mm.

WINNEBAGO		COPYRIGHT 2010 WINNEBAGO INDUSTRIES, INC.	
DFTR	ORIG. DATE	ALL DIMENSIONS ARE IN MILLIMETERS	
CHKR		FIRST USED	
P.E.		10 P39N	
M.E.		UNSPECIFIED TOLERANCES ARE:	
DSNR		WHOLE DIM (X) :	3
		ONE-PLACE (X.X) :	1.5
		TWO-PLACE (X.XX) :	0.50
		ANGLE :	1°
THIRD ANGLE PROJECTION		MATERIAL:	
DO NOT SCALE DRAWING		REFER TO ES0018 FOR FASTENER TIGHTENING GUIDELINES	
TITLE: DRAINAGE SYSTEM INSTL			
SHEET 1 OF 4	PART NO	172632	REV

(X-X)
FOR
WATER
CALLOUTS
SEE DWG NO
116229-01-000



FIRST USED	10 P39N
TITLE	DO NOT SCALE DRAWING
TITLE	DRAINAGE SYSTEM INSTL
SHEET 2	PART NO 172632 REV

BRACKET-TANK, HOLDING
161534-06-CHT
BOLT
106956-03-000 (2)
WASHER-LOCK
000E11-08-00B (2)
WASHER
000E13-22-00B (2)

TANK ASM-HOLDING
165641-02-000

TANK ASM-HOLDING
165640-02-000

BRACKET-TANK, HOLDING
161534-05-CHT
BOLT
106956-03-000 (2)
WASHER-LOCK
000E11-08-00B (2)
WASHER
000E13-22-00B (2)

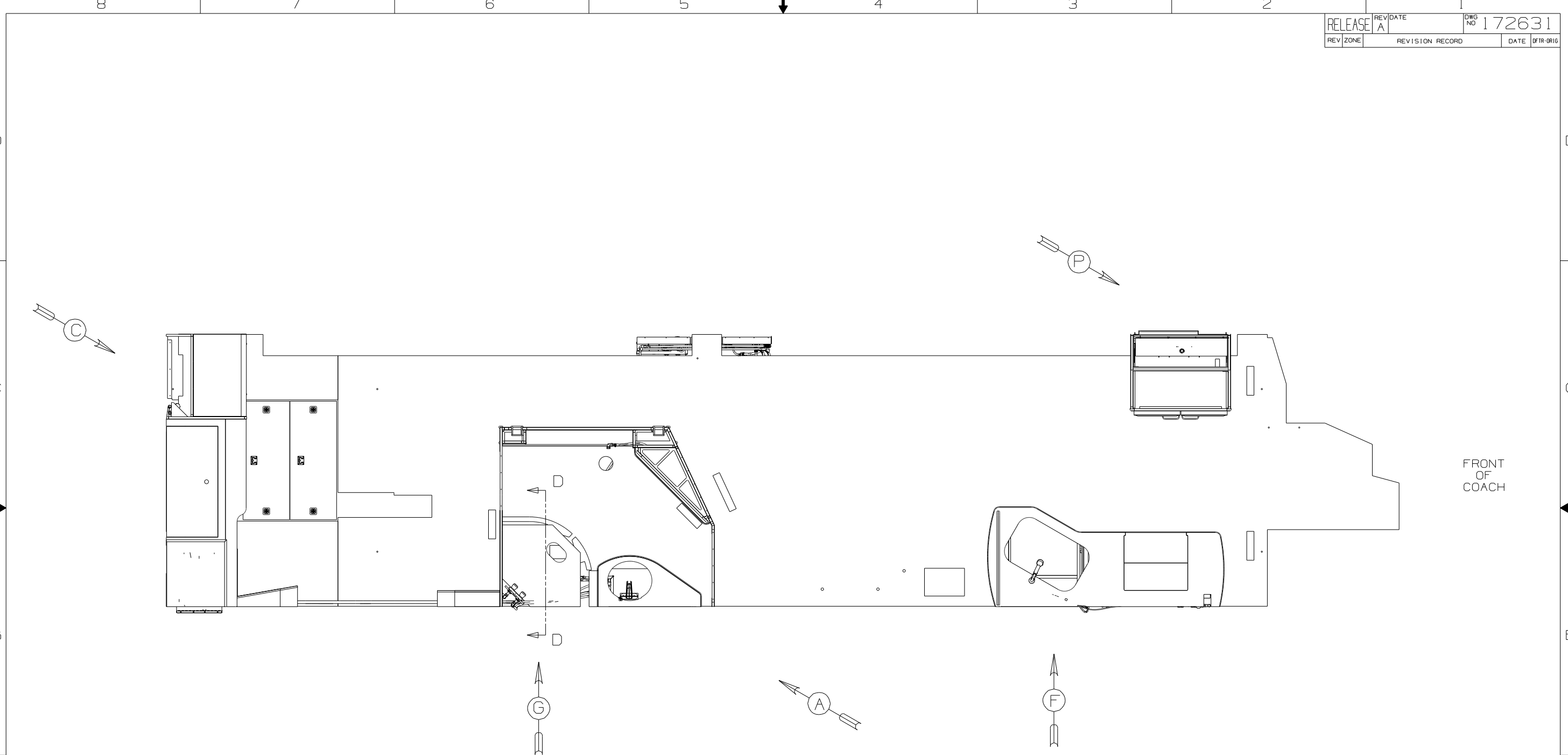
TANK ASM-HOLDING
165639-02-000

BRACKET-TANK, HOLDING
161534-02-CHT
BOLT
106956-03-000 (2)
WASHER-LOCK
000E11-08-00B (2)
WASHER
000E13-22-00B (2)

VIEW M
(BELOW FLOOR SHOWN ONLY)

VIEW L

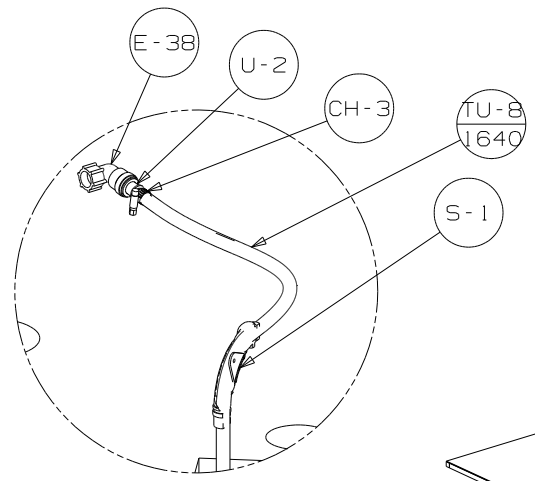
FIRST USED	10 P39N	
TITLE	DO NOT SCALE DRAWING	
TITLE	DRAINAGE SYSTEM INSTL	
SHEET 4	PART NO 172632	REV



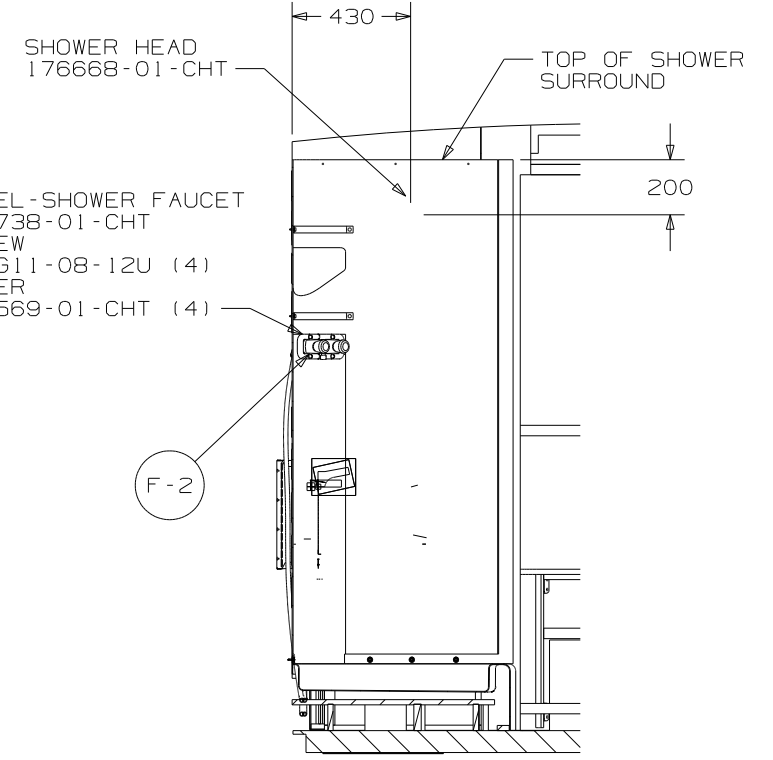
- NOTES:
- 5. ADD TEFLON TAPE 010405-02-000.
 - 4. ADD TEFLON TAPE 010405-01-000.
 - 3. ALL TUBING TO BE SECURED AT 1200 INTERVALS MAXIMUM WITH CLAMP 010495-01-000 AND SCREW 000667-10-12B OR EQUIVALENT.
 - 2. TUBING TO BE INSTALLED WITH SUFFICIENT SLOPE TO PROVIDE DRAINAGE TO NEAREST VALVE.
 - 1. PLASTIC FITTINGS TO BE SEALED WITH SEALANT 084456-01-000.

WINNEBAGO		COPYRIGHT 2010 WINNEBAGO INDUSTRIES, INC.	
D/FR	ORIG. DATE	ALL DIMENSIONS ARE IN MILLIMETERS	
CHKR		FIRST USED	
P.E.		10 P39N	
M.E.		UNSPECIFIED TOLERANCES ARE:	
DSNR		MATERIAL:	
		WHOLE DIM (X)	: 3
		ONE-PLACE (X.X)	: 1.5
		TWO-PLACE (X.XX)	: 0.50
		ANGLE	: 1°
THIRD ANGLE PROJECTION			
DO NOT SCALE DRAWING		REFER TO ES0018 FOR FASTENER TIGHTENING GUIDELINES	
TITLE: WATER SYSTEM INSTL			
SHEET 1 OF 5	PART NO	172631	REV

(X-X)
FOR
WATER
CALLOUTS
SEE DWG NO
116230-01-000

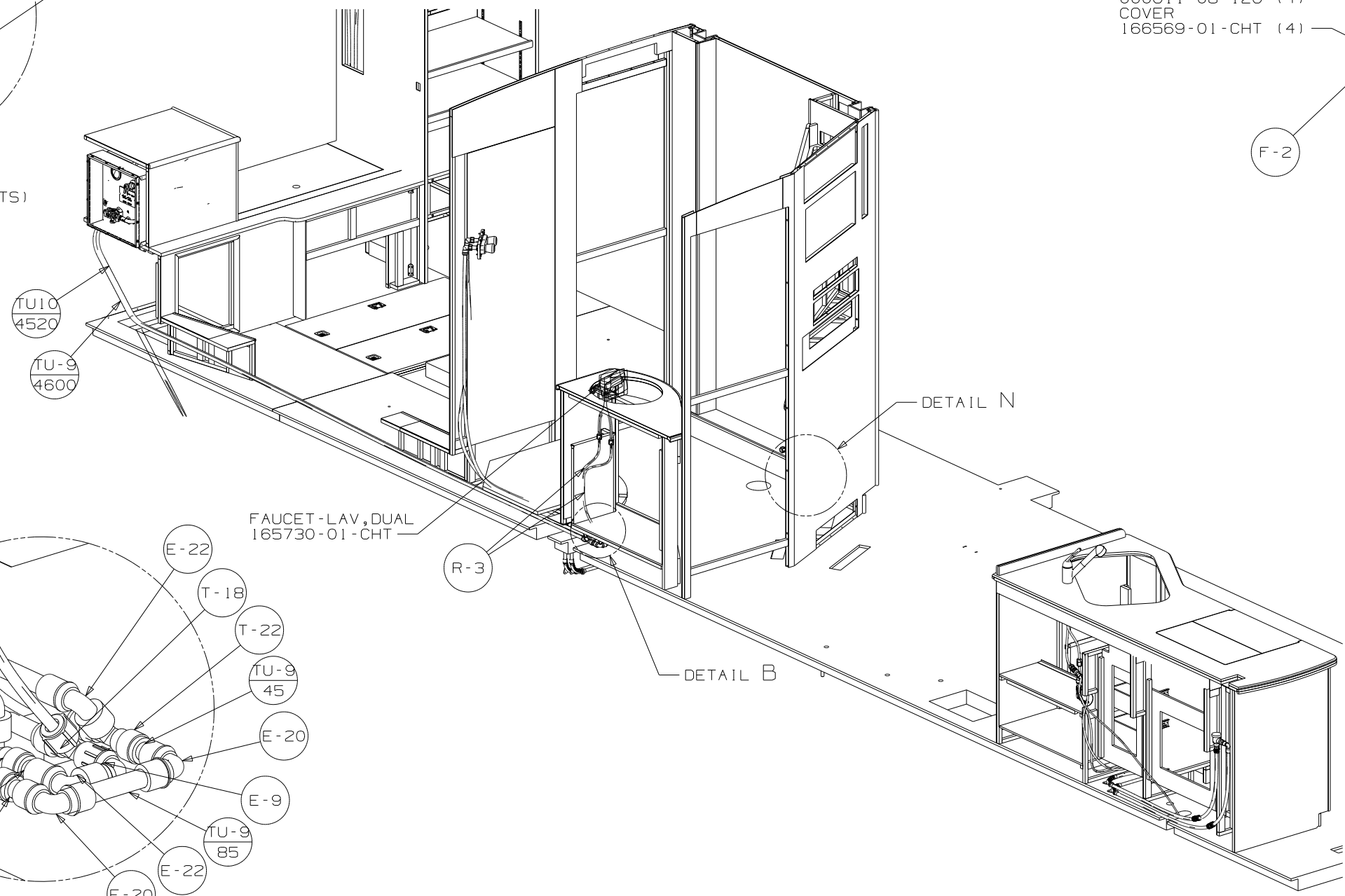


DETAIL N
(SHOWN W/OUT CABINETS)

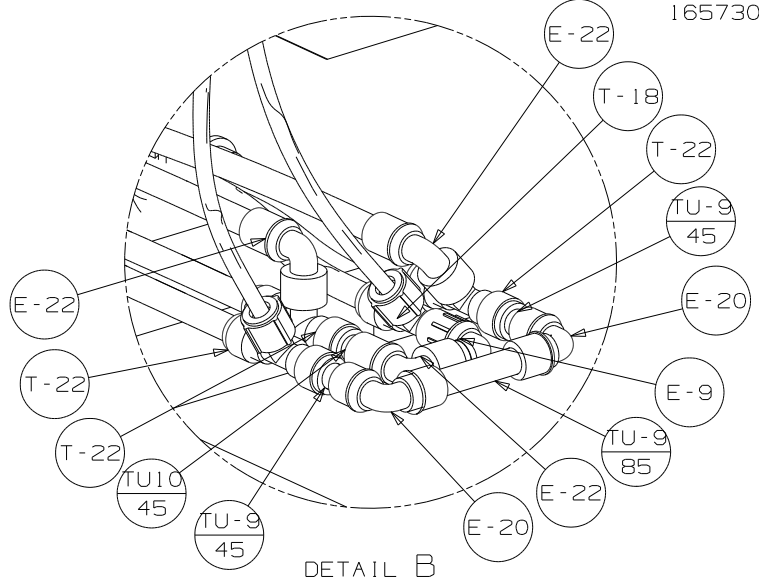


- SHOWER HEAD
176668-01-CHT
- PANEL-SHOWER FAUCET
167738-01-CHT
- SCREW
000611-08-12U (4)
- COVER
166569-01-CHT (4)

SECTION D-D

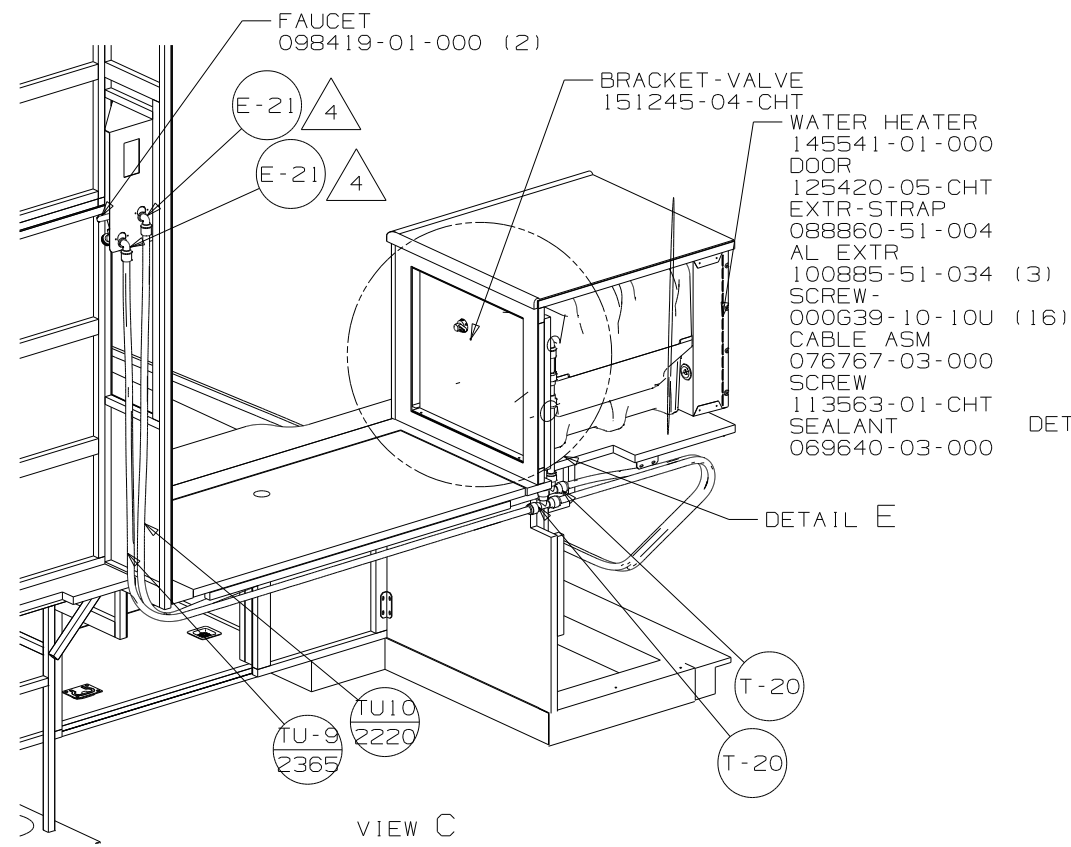


VIEW A

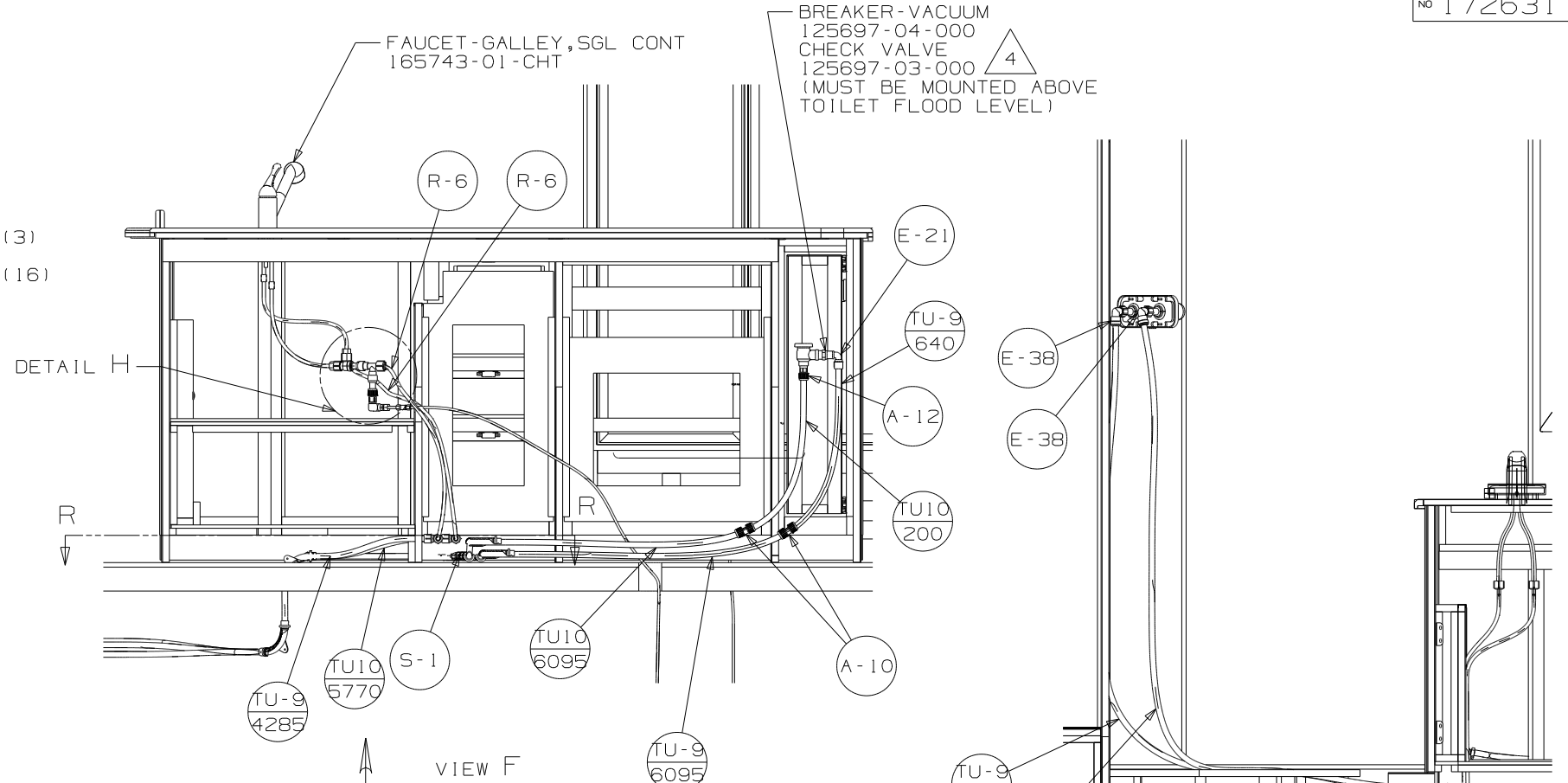


DETAIL B
(SHOWN W/OUT CABINETS)

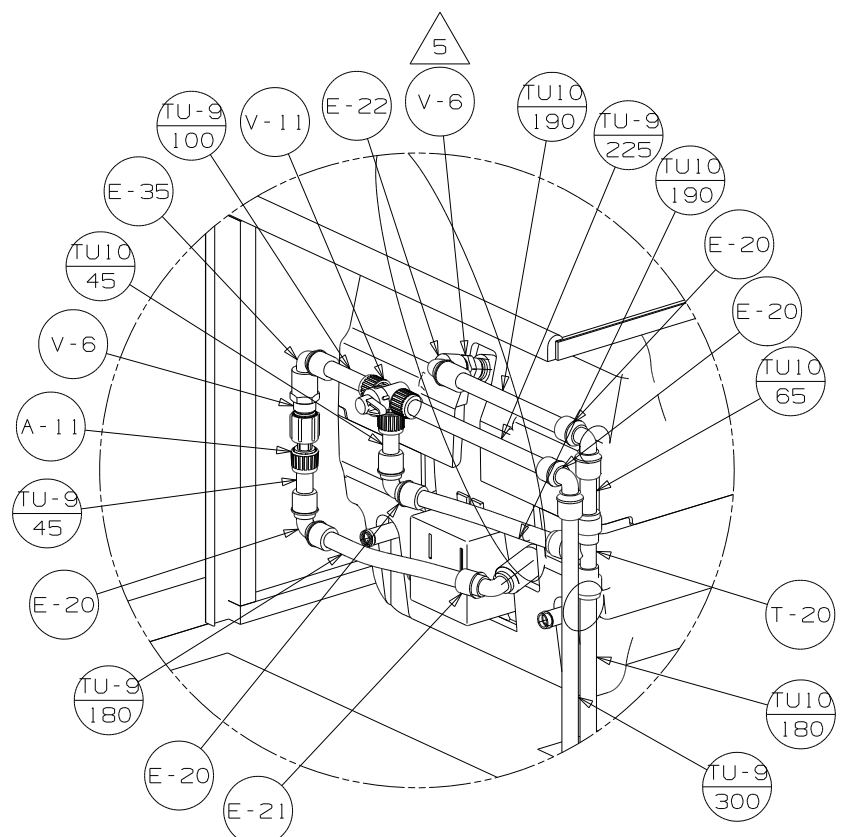
FIRST USED	10 P39N		
TITLE	DO NOT SCALE DRAWING		
TITLE	WATER SYSTEM INSTL		
SHEET 2	PART NO	172631	REV



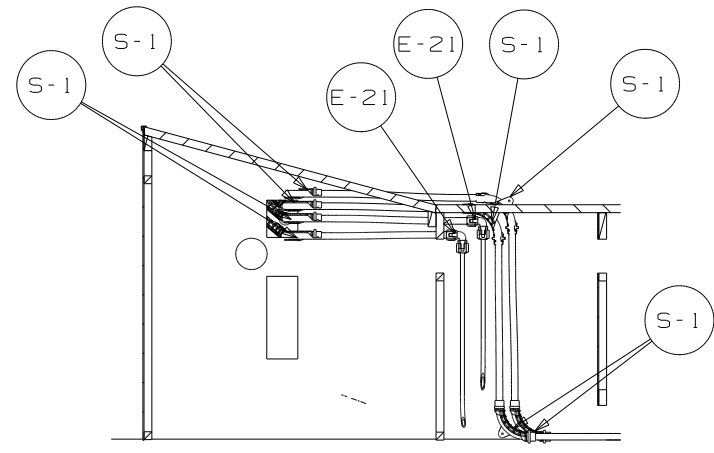
VIEW C



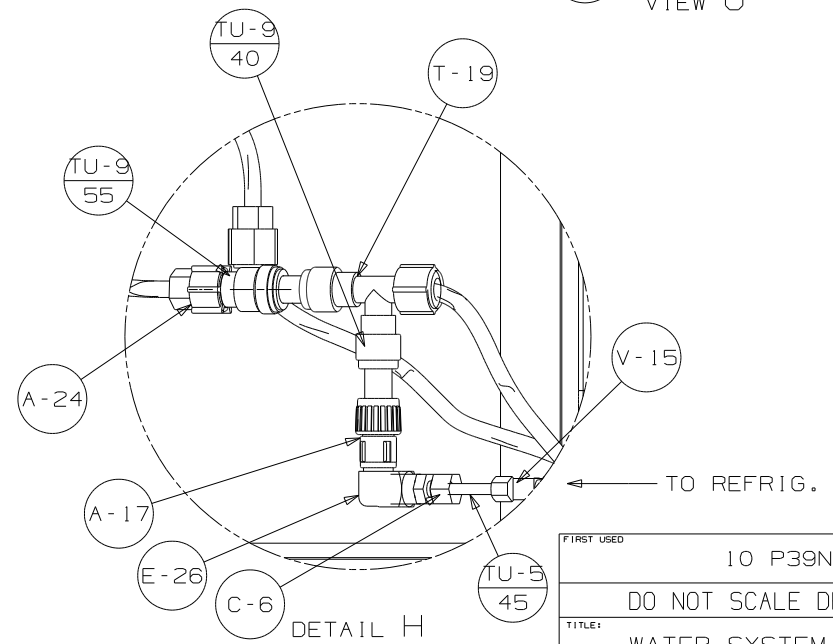
VIEW F



DETAIL E (SHOWN W/OUT CABINETS AND PANEL)

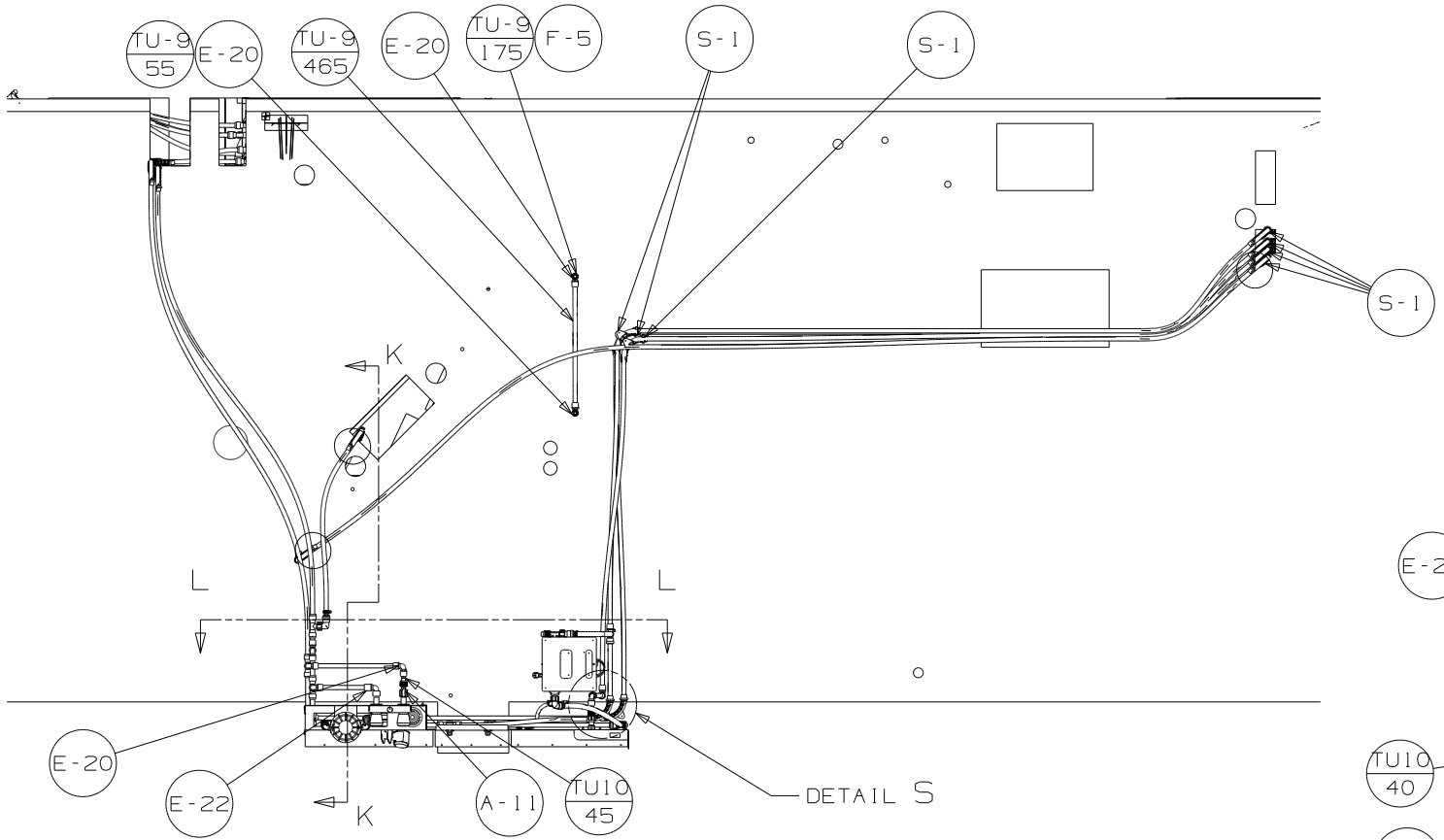


SECTION R-R

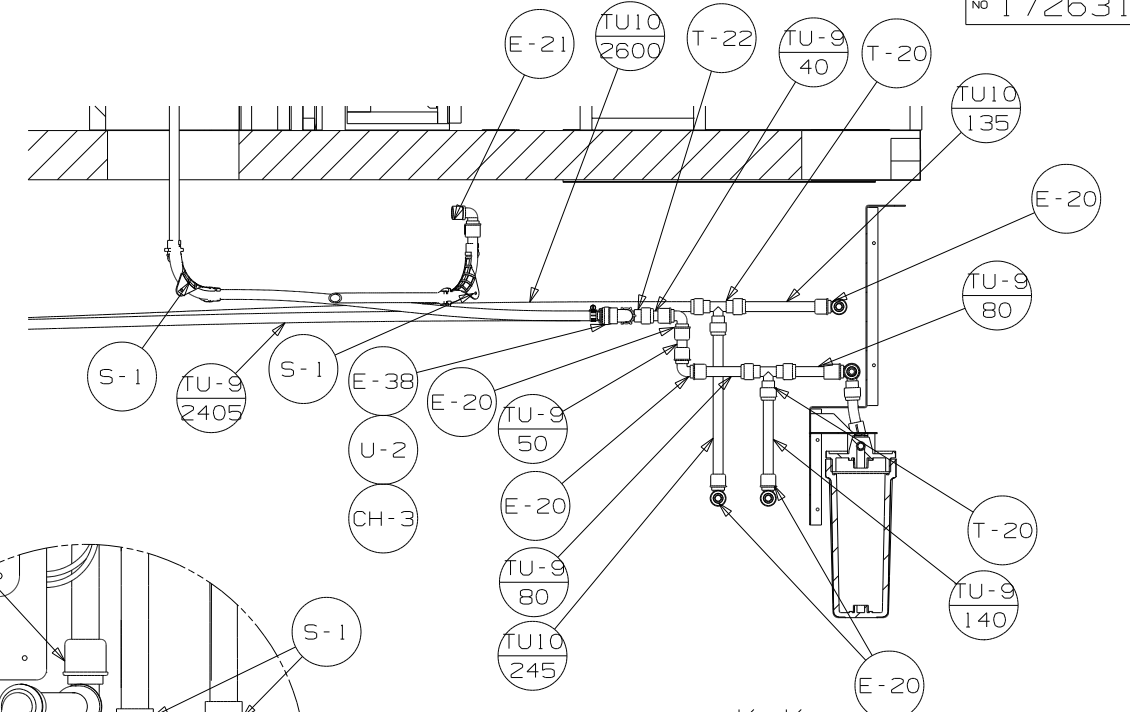


DETAIL H

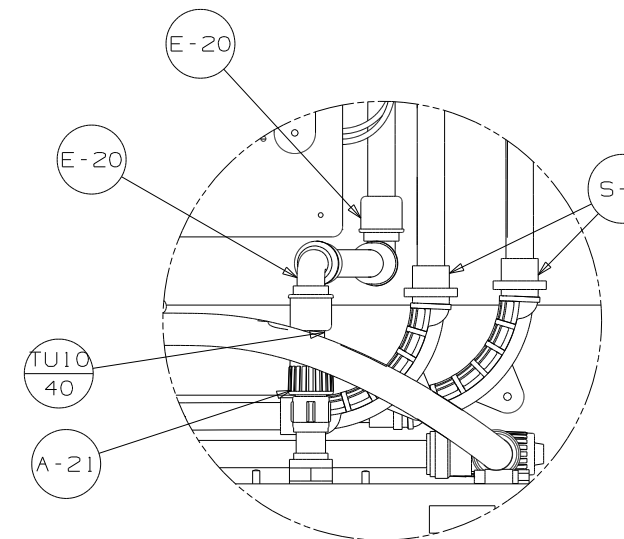
FIRST USED	10 P39N
TITLE:	DO NOT SCALE DRAWING
	WATER SYSTEM INSTL
SHEET 3	PART NO 172631 REV



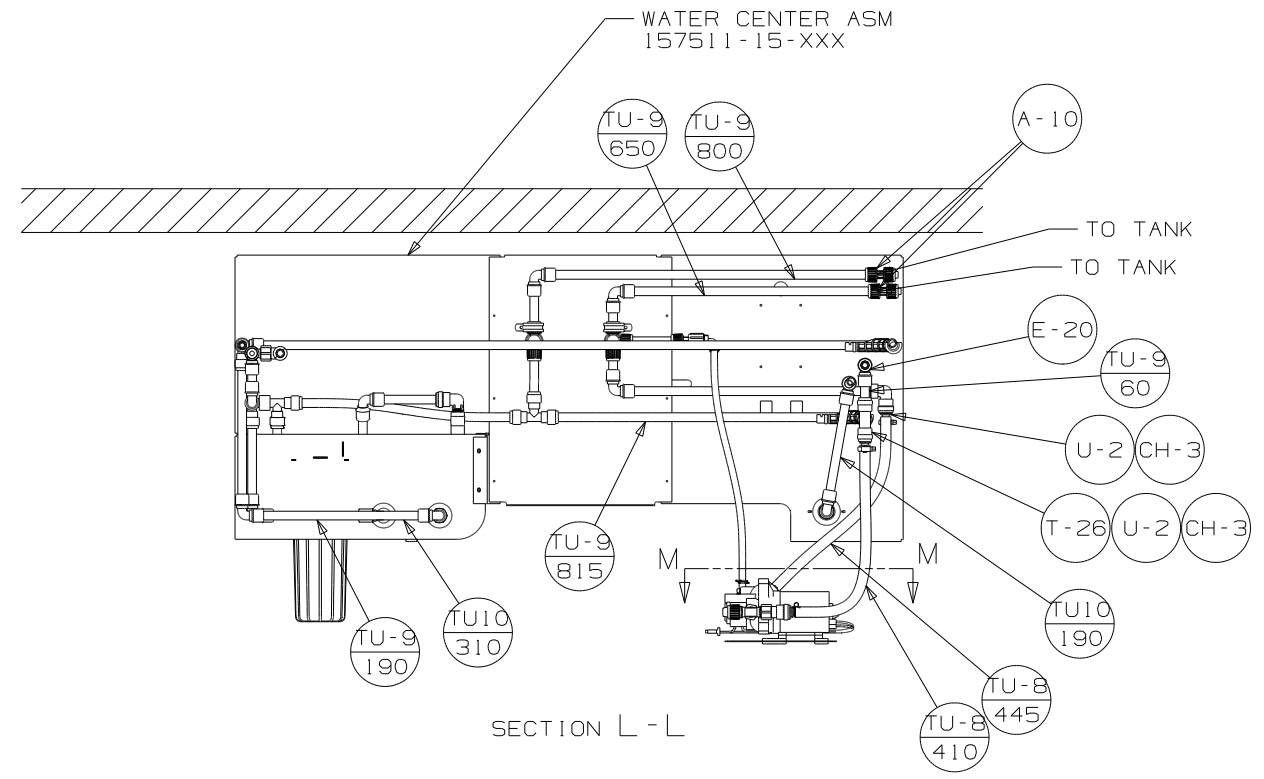
VIEW J
(BOTTOM VIEW)



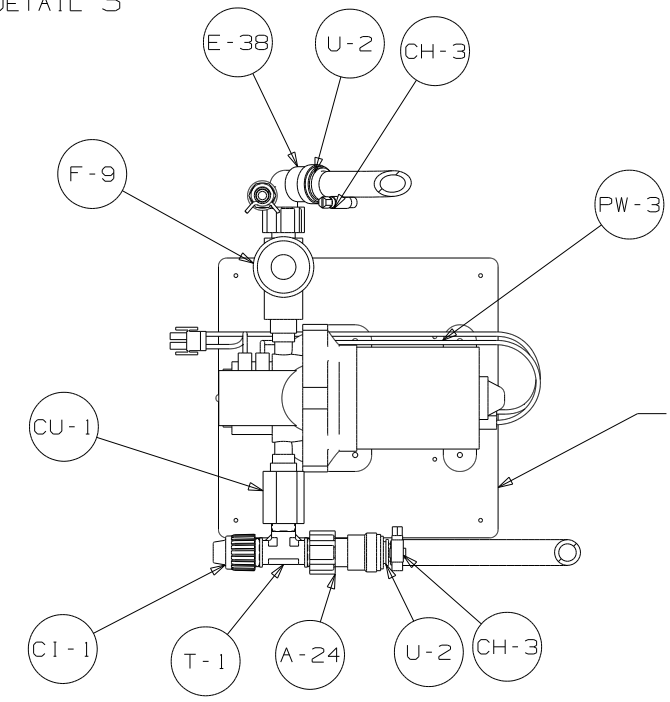
SECTION K-K
(ROTATED)



DETAIL S

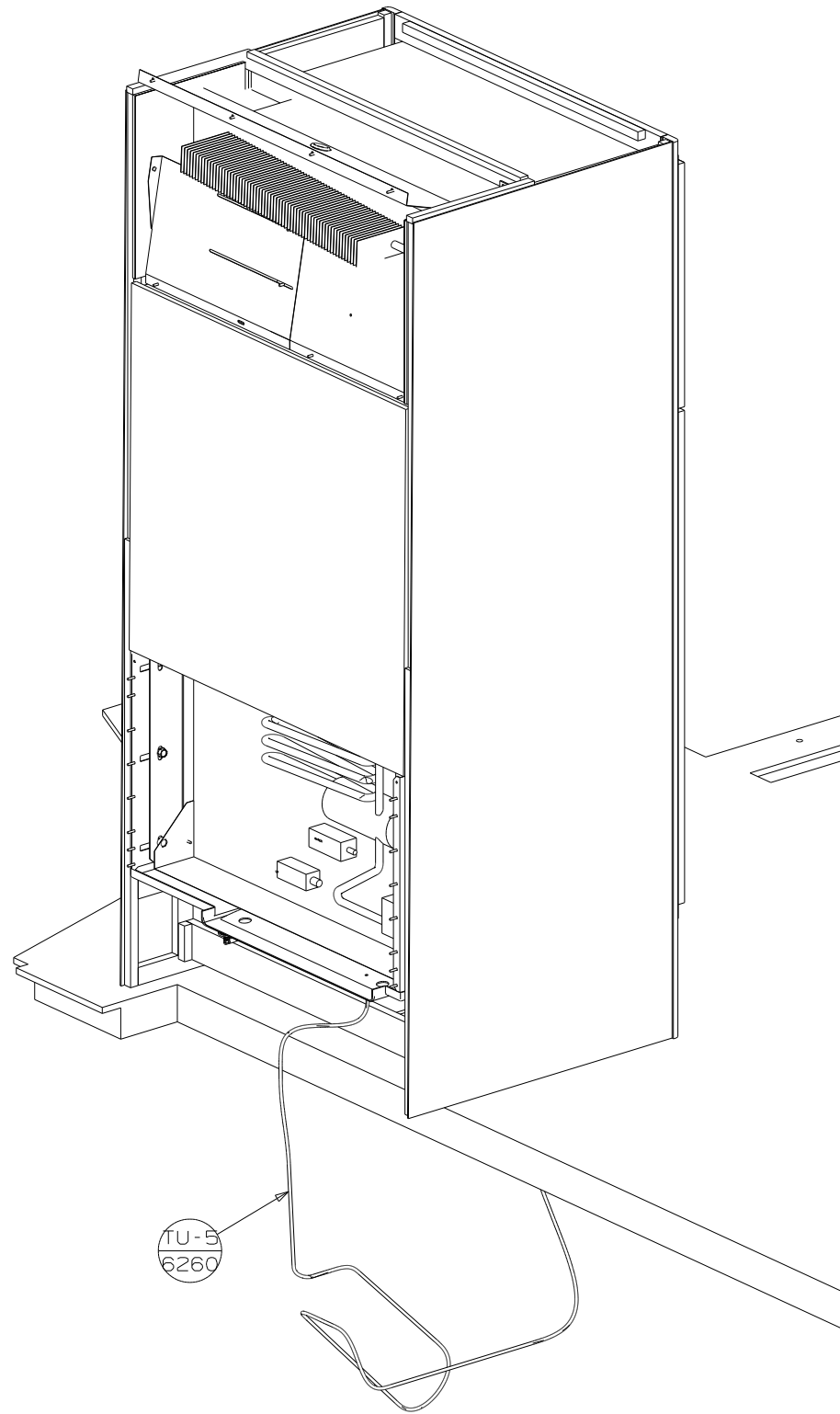


SECTION L-L



SECTION M-M

FIRST USED	10 P39N
TITLE:	DO NOT SCALE DRAWING
	WATER SYSTEM INSTL
SHEET 4	PART NO 172631 REV



TU-5
6260

VIEW P
(ROTATED)

FIRST USED	10 P39N		
TITLE	DO NOT SCALE DRAWING		
	WATER SYSTEM INSTL		
SHEET 5	PART NO	172631	REV