

- (1D3) ENTERTAIN CENTR/EXT TV-DVD
- (299) ENTERTAIN CENTER EXT.W/O
- (21M) WASHER/DRYER PREP
- (54E) WASHER/DRYER_COMBO

- 9 USE SMOOTH PLUMBERS PUTTY 167459-01-000 TO SEAL STRAINER (0.2 PER STRAINER).
- 8. SECURE DRAINAGE PIPES TO CABINET USING WIRE TIE 108046-02-000, AND SCREW 000G67-10-12B AT INTERVALS OF NOT MORE THAN 4 FEET APART.
- 7 SECURE VENT PIPE TO FLOOR WITH CLAMP 062401-02-000 (2),SCREW 000G67-10-12B (2), BRACKET 136878-01-CHT (2).
- 6 VENT PIPE MUST PROJECT 51 MIN AND 64 MAX ABOVE ROOF FOR PROPER FIT AND FUNCTION. ADD S-1 (116666-01-CHT SEAL-VENT PIPE) AROUND PIPE ON ROOF BEFORE VENT CAP IS INSTALLED.
- 5. SEAL AROUND SHOWER WITH SILICONE.
- 4. DO NOT ATTACH ANY OTHER SYSTEM TO PIPE-FLEX 126426-01.
- 3. ALL PIPE AND FITTINGS TO BE ASSEMBLED WITH SOLVENT 004020-01-000 (USA), 004020-02-000 (CAN)
- 2. SLOPE OF TRAP ARM MUST BE 6 PER 305 mm.
- 1. SLOPE OF HORIZONTAL PIPING TO BE MINIMUM OF 3 PER 305 mm.

NOTES:

WINNEBAGO		COPYRIGHT 2011 WINNEBAGO INDUSTRIES, INC.	
DFT	ORIG. DATE	ALL DIMENSIONS ARE IN MILLIMETERS	
CHKR		FIRST USED	
P.E.		10 P34Y	
M.E.		UNSPECIFIED TOLERANCES ARE:	
DSNR		MATERIAL:	
		WHOLE DIM (X)	: 3
		ONE-PLACE (X.X)	: 1.5
		TWO-PLACE (X.XX)	: 0.50
		ANGLE	: 1°
		THIRD ANGLE PROJECTION	
DO NOT SCALE DRAWING		REFER TO ES0018 FOR FASTENER TIGHTENING GUIDELINES	
TITLE: DRAINAGE SYSTEM INSTL			
SHEET 1 OF 4	PART NO	172152	REV

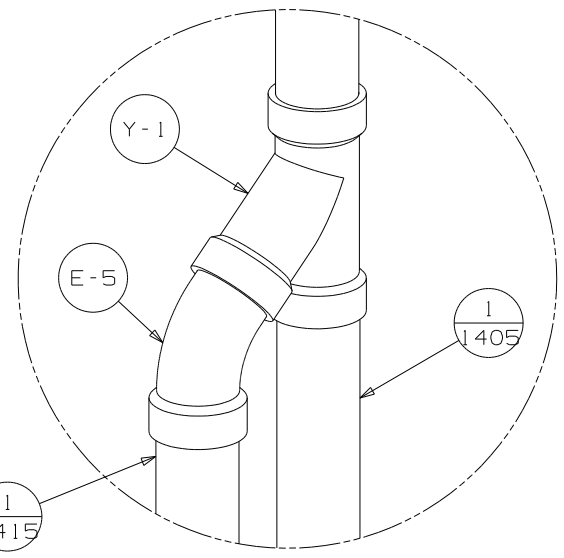
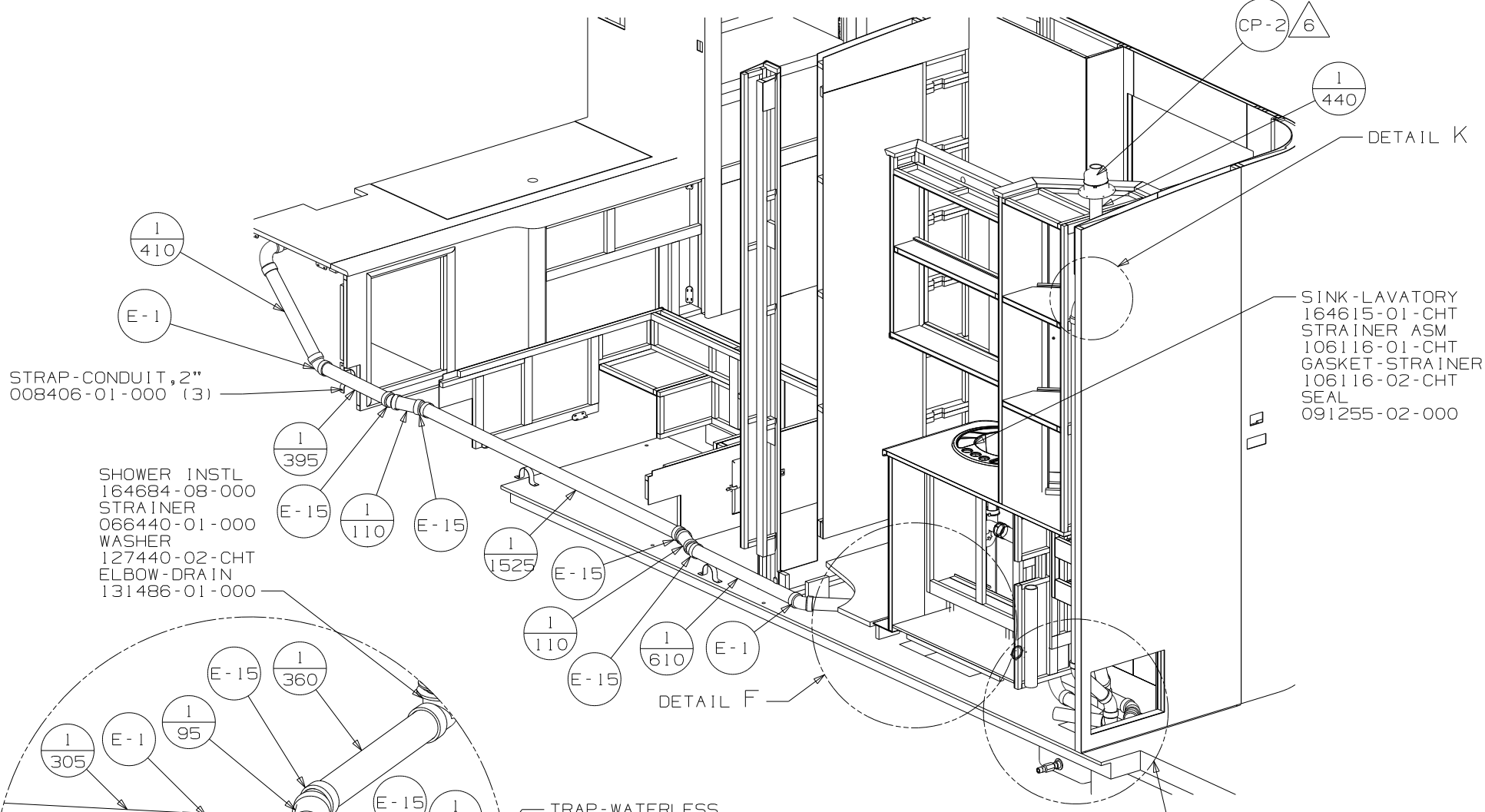
(X-X)
FOR
DRAINAGE
CALLOUTS
SEE DWG NO
116229-01-000

8 7 6 5 4 3 2

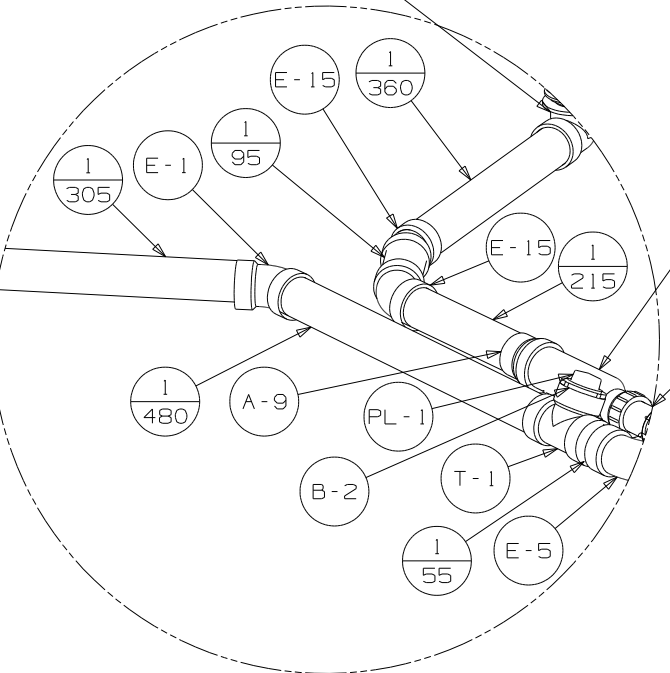
D
C
B
A

8 7 6 5 4 3 2

D
C
B
A



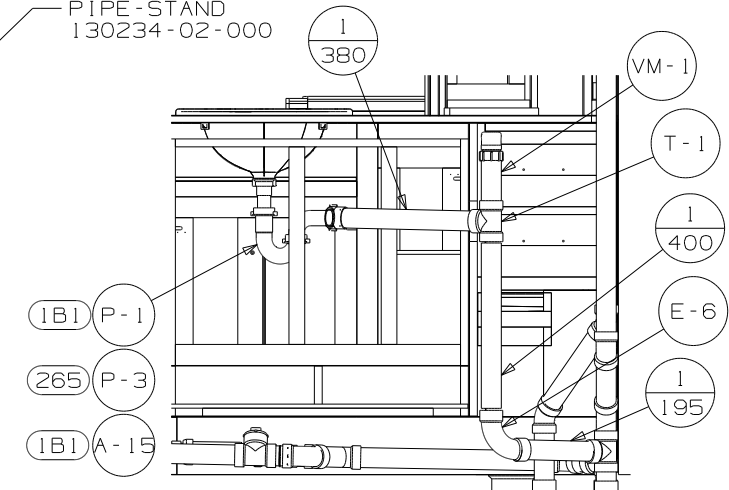
DETAIL K (SHOWN W/OUT CABINETS)



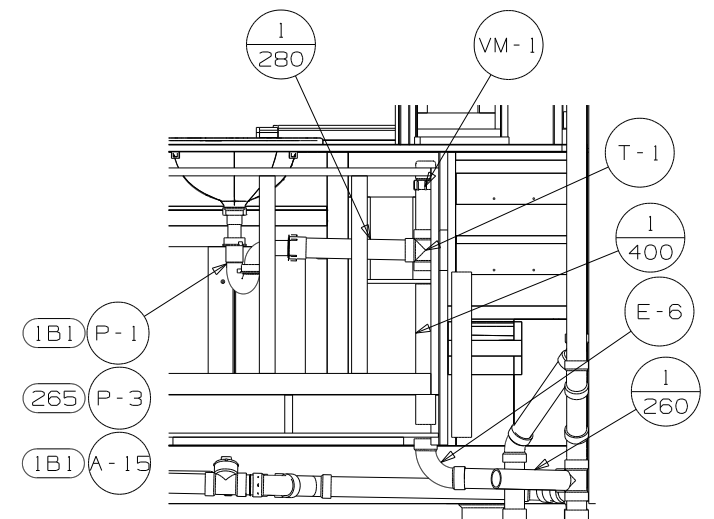
DETAIL F (SHOWN W/OUT CABINETS AND FLOOR)

TRAP-WATERLESS
165406-01-000

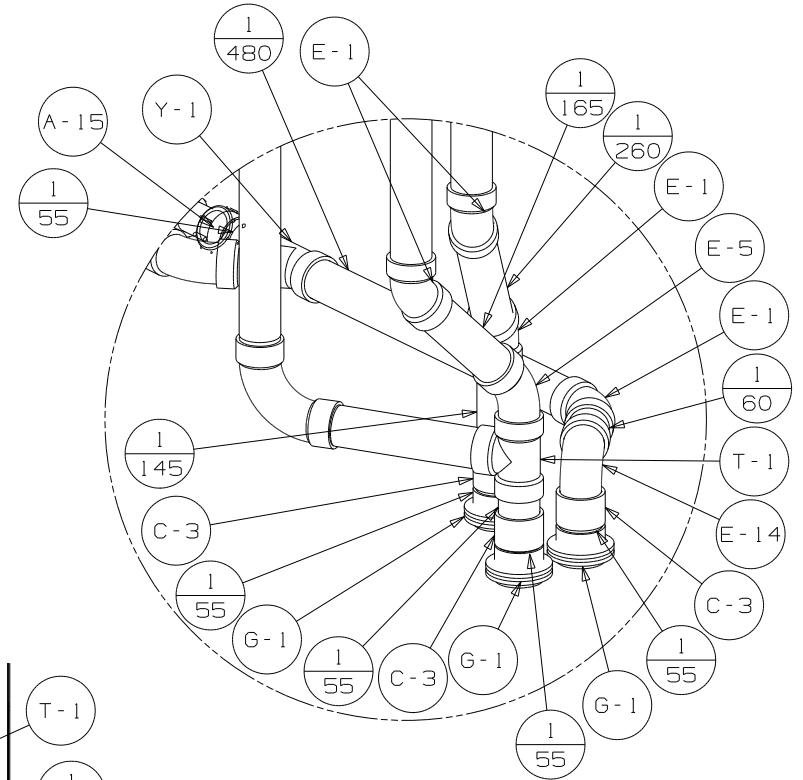
PIPE-STAND
130234-02-000



VIEW M (ROTATED) 299



VIEW M (ROTATED) 1D3



DETAIL G (SHOWN W/OUT CABINETS AND FLOOR)

FIRST USED	10 P34Y		
TITLE	DO NOT SCALE DRAWING		
	DRAINAGE SYSTEM INSTL		
SHEET 2	PART NO	172152	REV

TOILET-STYLE LITE, W/SPRAYER
160815-01-CHT
SCREW
087721-01-000 (6)

SINK-SST, DBL
173783-01-000
STRAINER
092303-01-000 (2) 9
SEAL (A/R)
WASHER
127440-02-CHT (2)
ANGLE-W/SLOT
140002-01-CHT (10)

PIPE- STAND
130234-01-000 (2IM) 54E
PLUG-PLASTIC
061420-05-000 (2IM)

STRAP-CONUIT, 2"
008406-01-000 (2)

STRAP-CONUIT, 2"
008406-01-000 (3)

ELBOW
136111-01-000

FITTING-BULKHEAD
136656-01-CHT

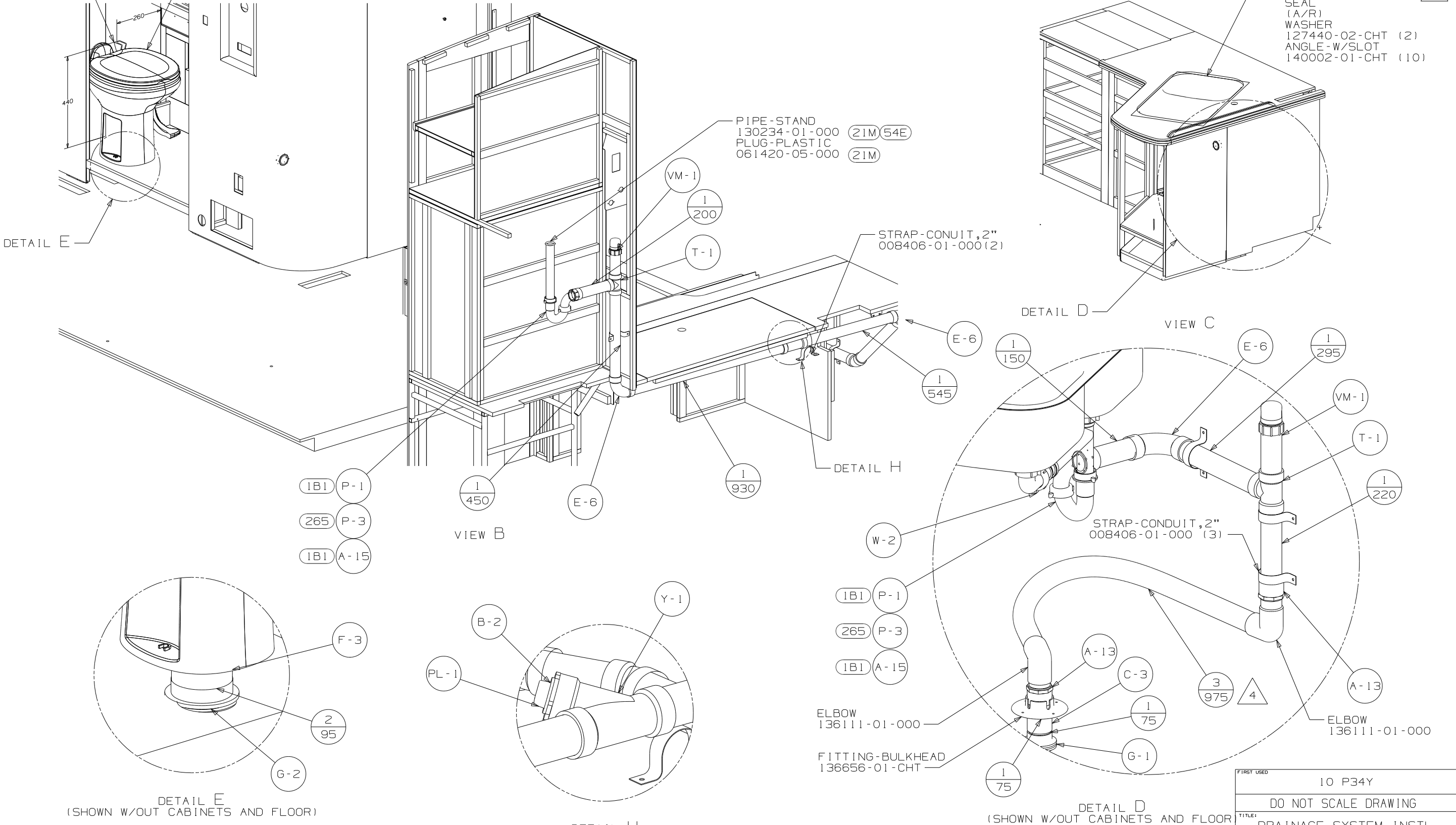
FIRST USED
10 P34Y

DO NOT SCALE DRAWING

TITLE:
DRAINAGE SYSTEM INSTL

SHEET 3 PART NO 172152 REV

1 2/4/2011



DETAIL E
(SHOWN W/OUT CABINETS AND FLOOR)

DETAIL H
(SHOWN W/OUT CABINETS)

DETAIL D
(SHOWN W/OUT CABINETS AND FLOOR)

VIEW B

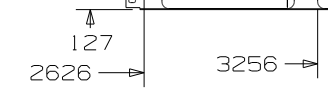
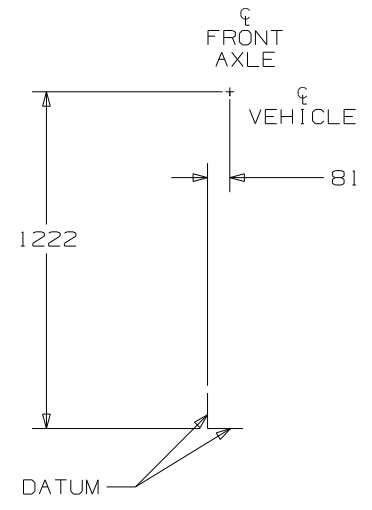
VIEW C

NIPPLE
135386-01-000 (2)
COUPLING-FEMALE
101814-01-000

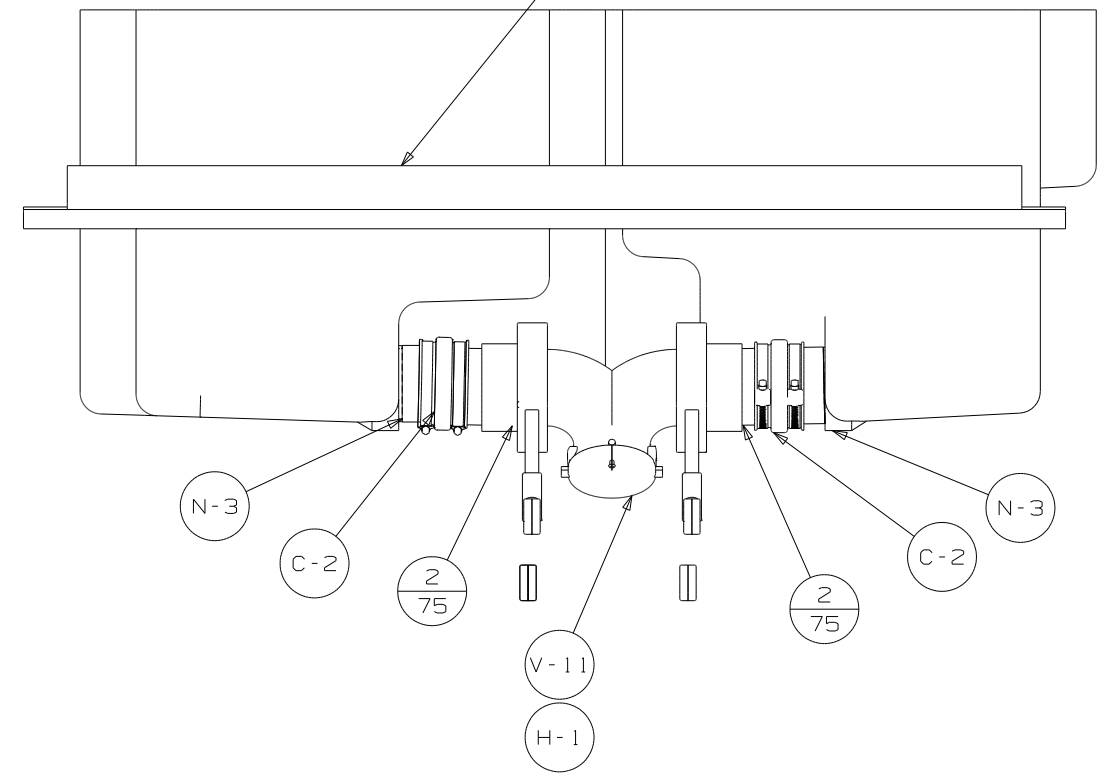
TANK-HOLDING
166827-03-CHT

TANK-HOLDING
166826-03-CHT

BRACKET-TANK,HOLDING
161534-02-CHT
BOLT
106956-03-000 (2)
WASHER-LOCK
000E11-08-00B (2)
WASHER
000E13-22-00B (2)

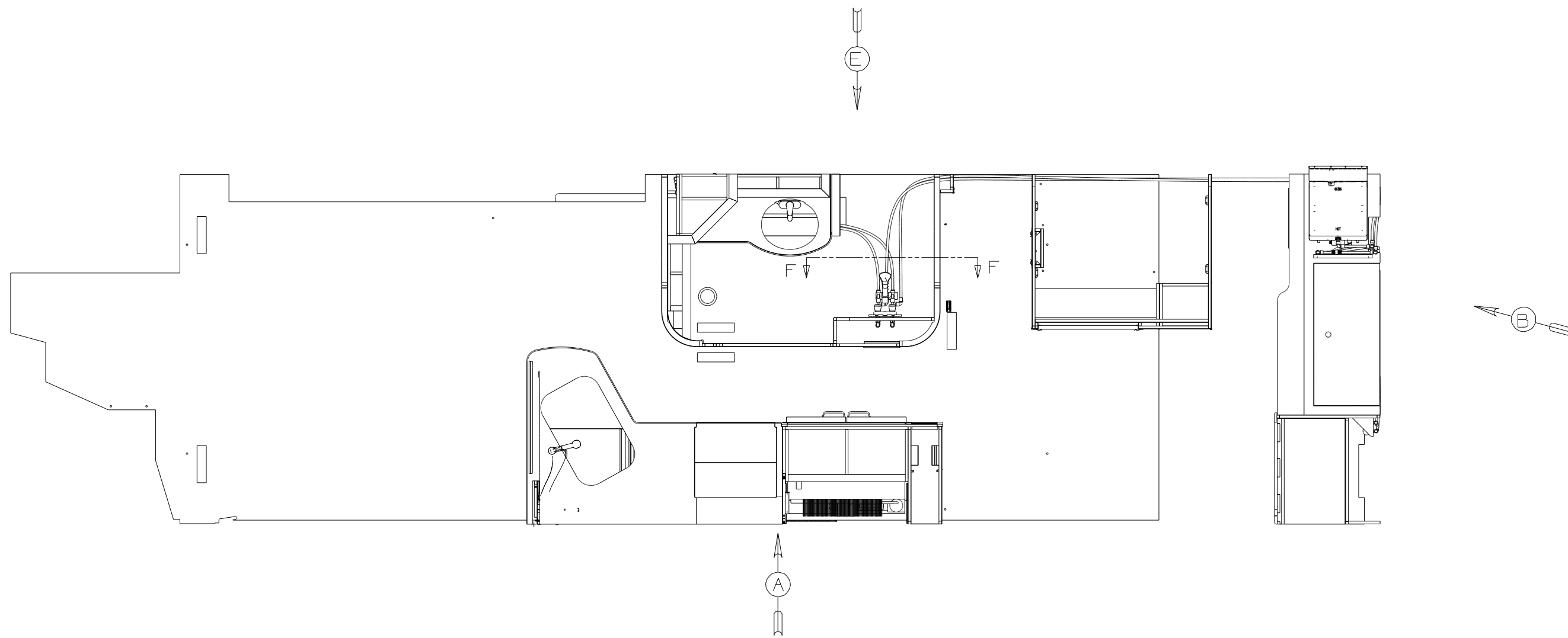


TOP VIEW SHOWING ONLY DRAINS AND TANKS



VIEW J

FIRST USED	10 P34Y		
TITLE	DO NOT SCALE DRAWING		
	DRAINAGE SYSTEM INSTL		
SHEET 4	PART NO	172152	REV

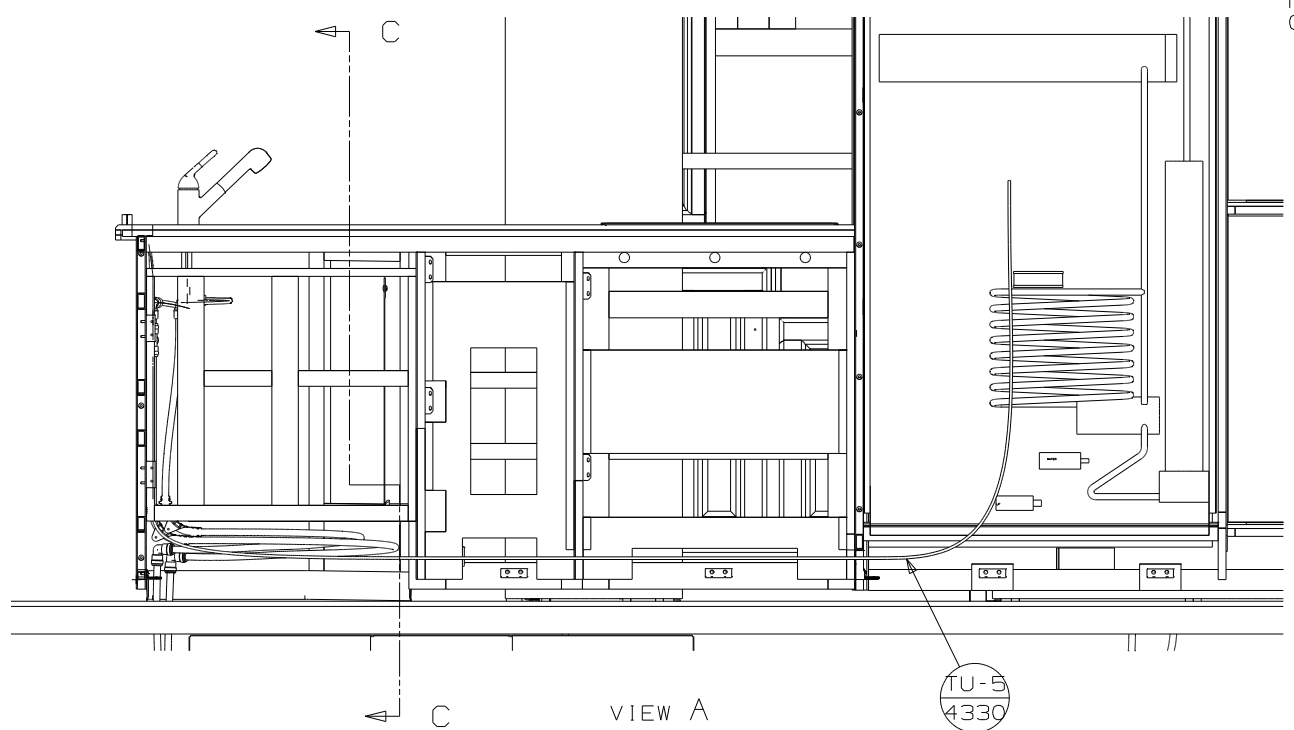


- NOTES:
- 7. ADD PIPE WRAP (LADDER SCRAP 110157-02-000) INSULATION.
 - 6. ADD TEFLON TAPE 010405-03-000.
 - 5. ADD TEFLON TAPE 010405-02-000.
 - 4. ADD TEFLON TAPE 010405-01-000.
3. ALL TUBING TO BE SECURED AT 1200 INTERVALS MAXIMUM WITH CLAMP 010495-01-000 AND SCREW 000G67-10-12B OR EQUIVALENT.
 2. TUBING TO BE INSTALLED WITH SUFFICIENT SLOPE TO PROVIDE DRAINAGE TO NEAREST VALVE.
 1. PLASTIC FITTINGS TO BE SEALED WITH SEALANT 084456-01-000.

WINNEBAGO		COPYRIGHT 2010 WINNEBAGO INDUSTRIES, INC.	
DFTR	ORIG. DATE	ALL DIMENSIONS ARE IN MILLIMETERS	
CHKR		10 P34Y	
P.E.		UNSPECIFIED TOLERANCES ARE:	
M.E.	FIRST USED	WHOLE DIM (X)	: 3
DSNR		ONE-PLACE (X.X)	: 1.5
		TWO-PLACE (X.XX)	: 0.50
		ANGLE	: 1°
		THIRD ANGLE PROJECTION	
DO NOT SCALE DRAWING		REFER TO ES0018 FOR FASTENER TIGHTENING GUIDELINES	
TITLE: WATER SYSTEM INSTL			
SHEET 1 OF 4	PART NO	172151	REV
REF:	1 10/28/2010		

FOR
WATER
CALLOUTS
SEE DWG NO
116230-01-000

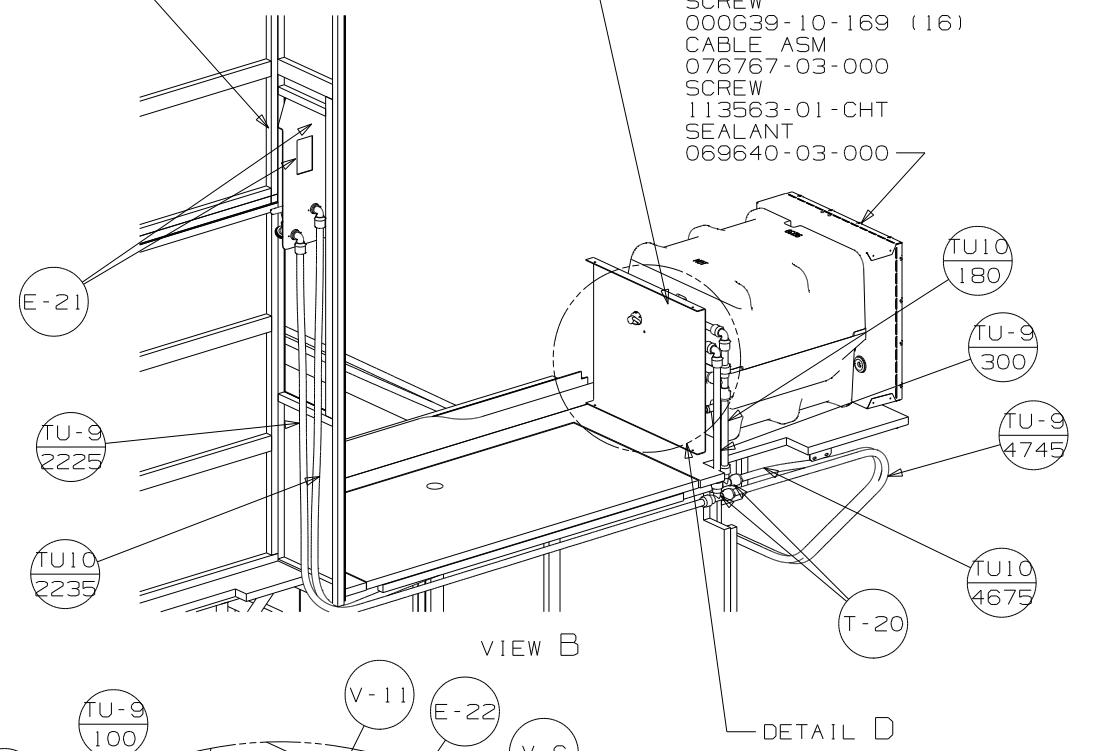




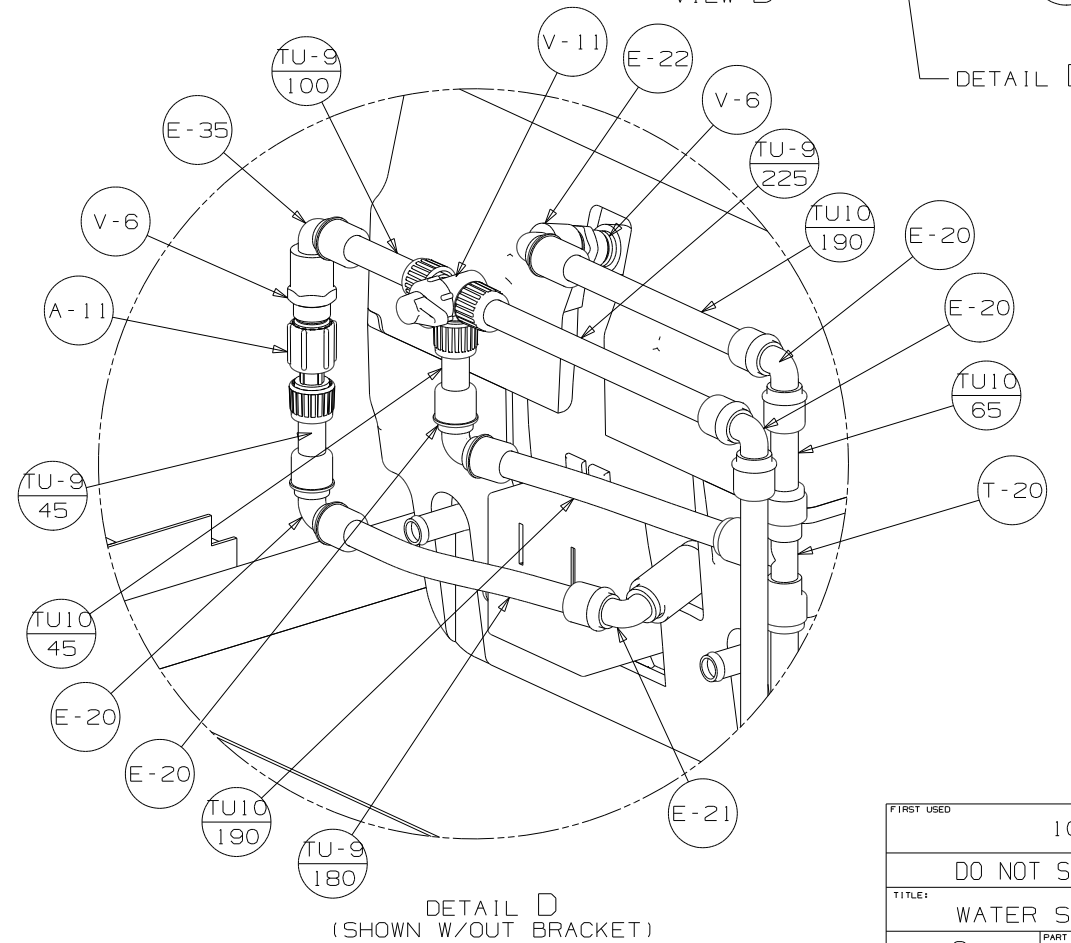
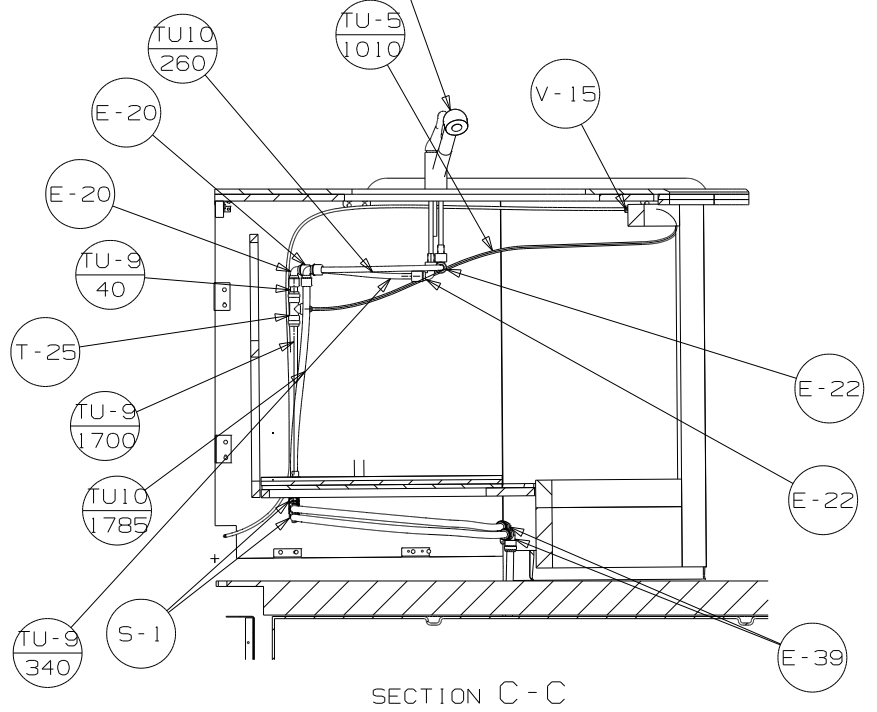
FAUCET
098419-01-000 (2)

BRACKET-VALVE
151245-04-CHT
SCREW
000667-10-10U(4)

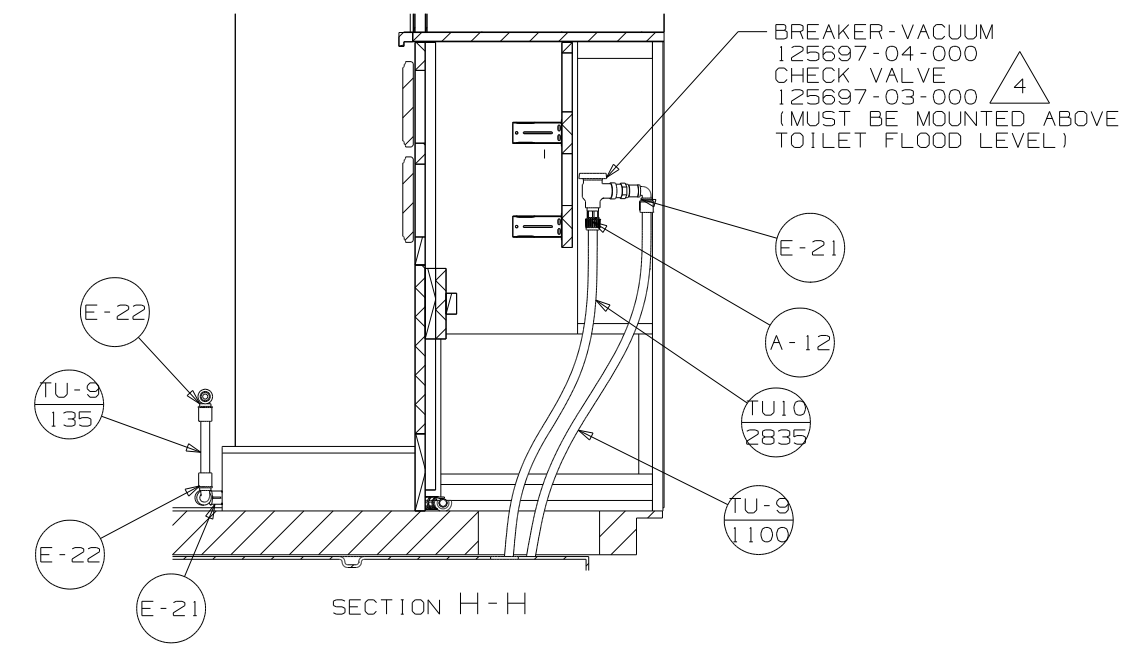
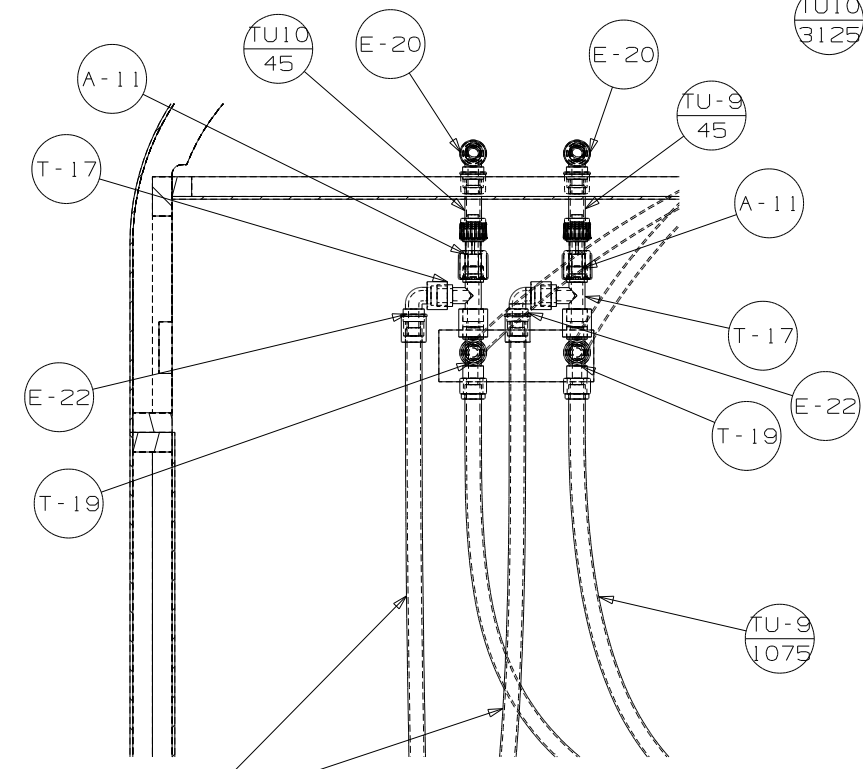
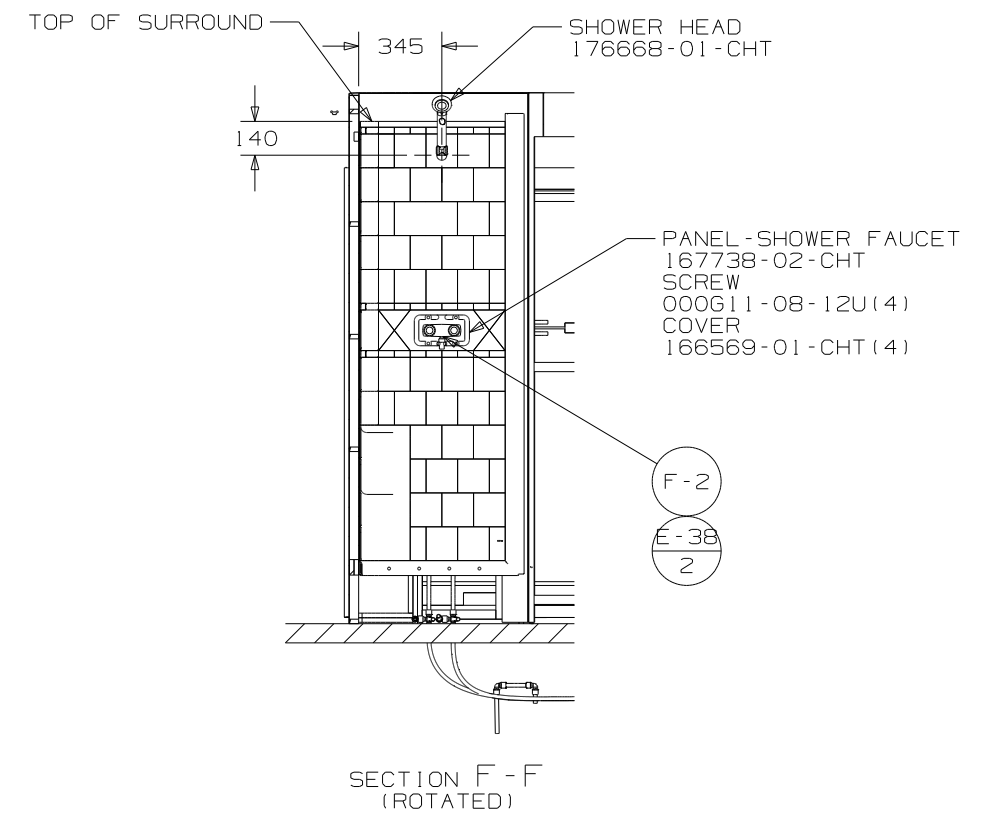
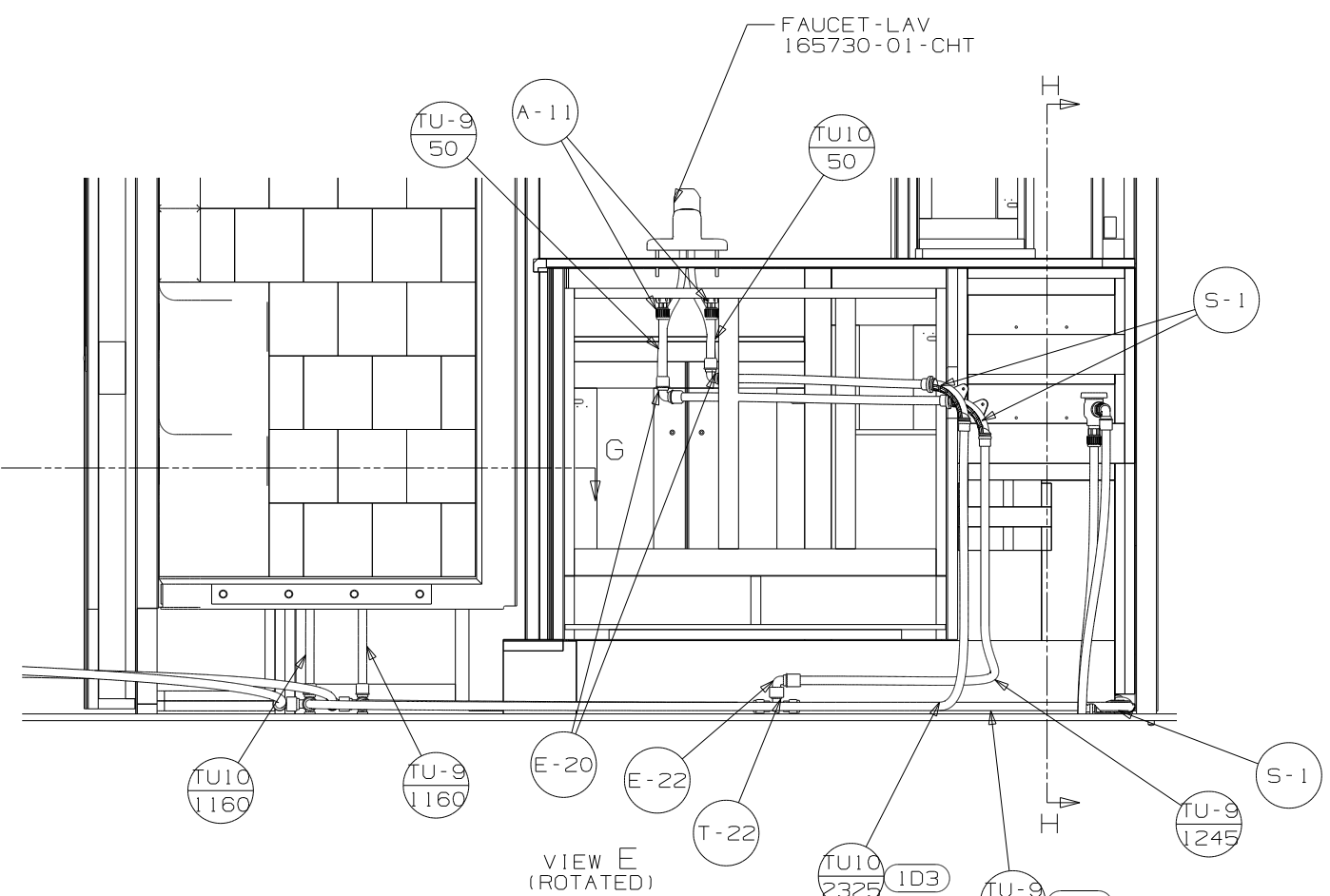
WATER HEATER
145541-01-000
DOOR
125420-05-CHT
AL EXTR
100885-51-034 (3)
EXTR-STRAP
088860-51-004
SCREW
000639-10-169 (16)
CABLE ASM
076767-03-000
SCREW
113563-01-CHT
SEALANT
069640-03-000



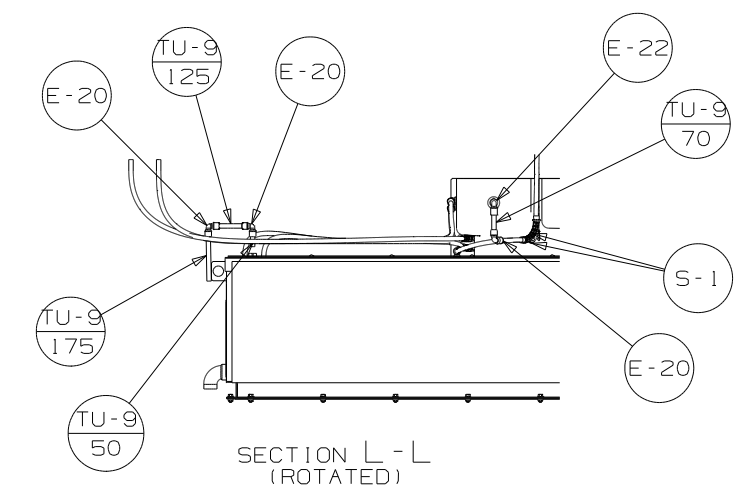
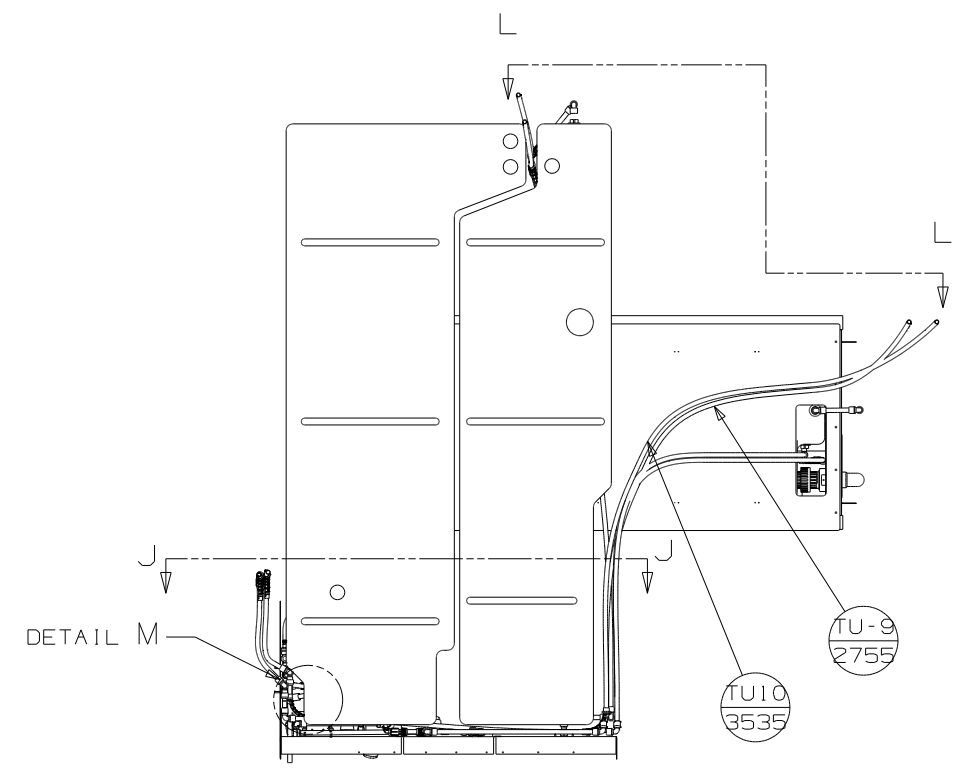
FAUCET-GALLEY
165743-01-000



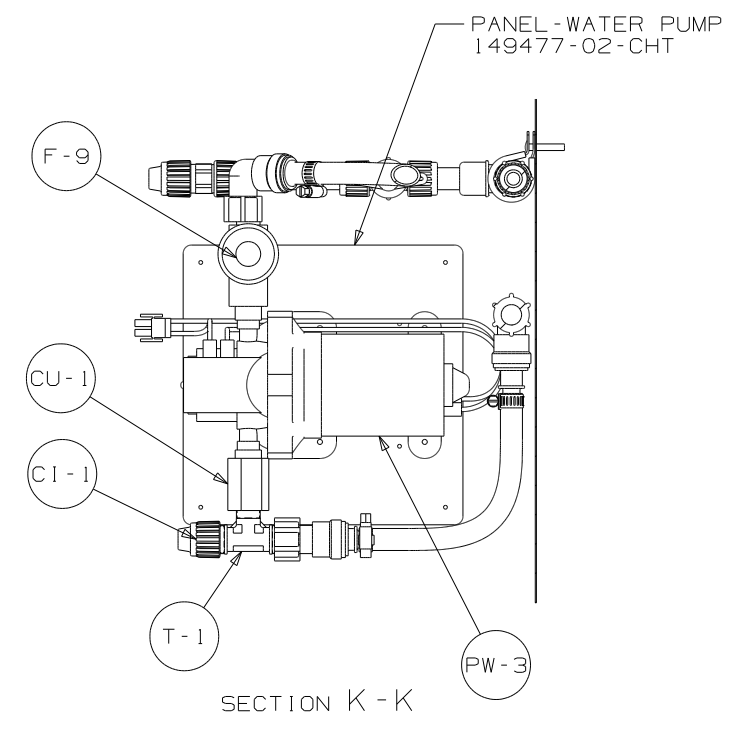
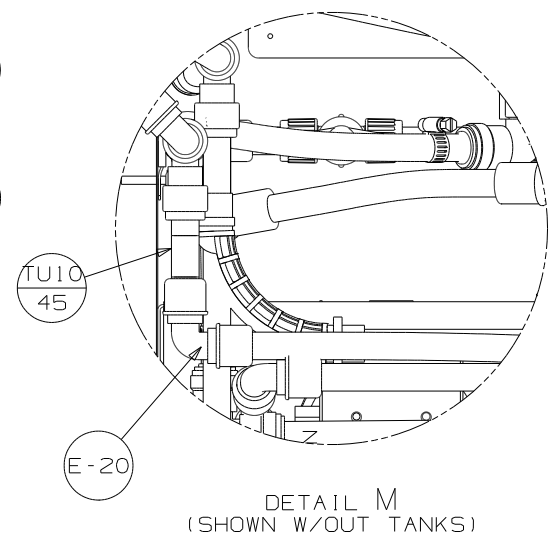
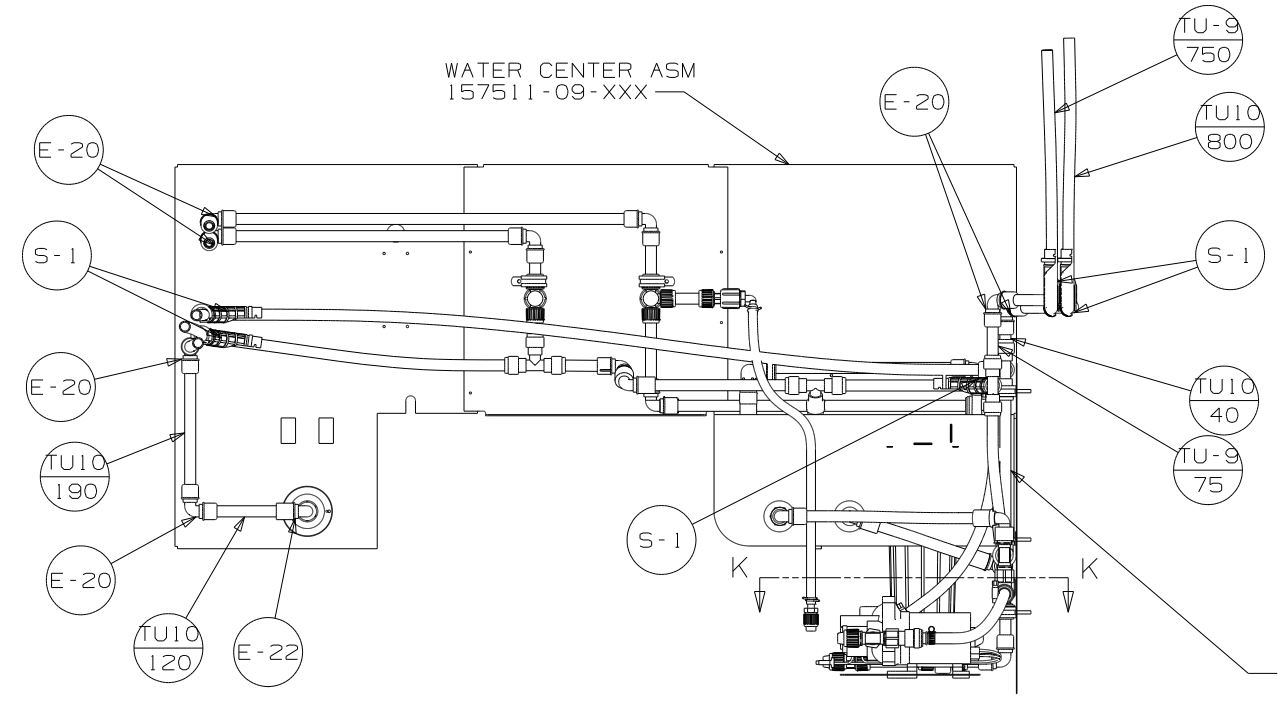
FIRST USED	10 P34Y
TITLE:	DO NOT SCALE DRAWING
SHEET 2	PART NO 172151
	REV



FIRST USED	10 P34Y
TITLE:	DO NOT SCALE DRAWING
SHEET 3	172151
	REV



TOP VIEW SHOWING LINES UNDER FLOOR



WATER CENTER ASM 157511-09-XXX

PANEL ASM-WATER SYSTEM 163564-02-XXX

SECTION J-J (ROTATED) (SHOWN W/OUT TANKS)

FIRST USED	10 P34Y	
TITLE	DO NOT SCALE DRAWING	
TITLE	WATER SYSTEM INSTL	
SHEET 4	PART NO 172151	REV