

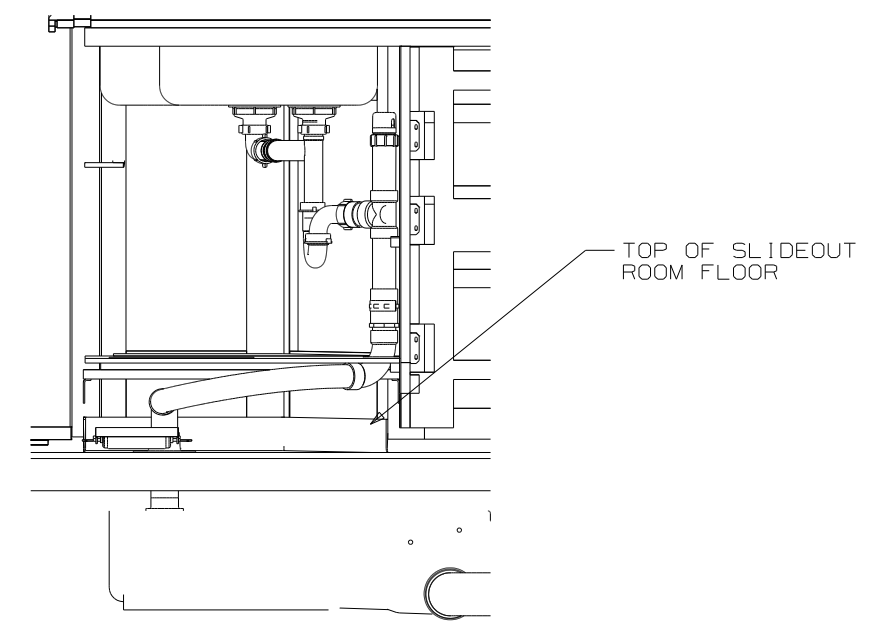
- (1D3) ENTERTAIN CENTR/EXT TV-DVD
- (1B1) CODES/STANDARDS-USA
- (265) CODES/STANDARDS-CSA/CMVSS

- 9. APPLY PRIMER 126427-02-000 AND CEMENT 126427-01-000 BETWEEN ELBOW AND FLEX PIPE.
- 8. SECURE DRAINAGE PIPES TO CABINET USING WIRE TIE 108046-02-000, AND SCREW 000G67-10-12B AT INTERVALS OF NOT MORE THAN 4 FEET APART.
- 7. SECURE VENT PIPE TO FLOOR WITH CLAMP 062401-02-000, SCREW 000G67-10-12B (2), BRACKET 136878-01-CHT.
- 6. VENT PIPE MUST PROJECT 51 MIN AND 64 MAX ABOVE ROOF FOR PROPER FIT AND FUNCTION.
- 5. SEAL AROUND SHOWER WITH SILICONE.
- 4. USE SMOOTH PLUMBERS PUTTY 167459-01-000 TO SEAL STRAINER (0.2 PER STRAINER).
- 3. ALL PIPE AND FITTINGS TO BE ASSEMBLED WITH SOLVENT 004020-01-000 (USA), 004020-02-000 (CAN)
- 2. SLOPE OF TRAP ARM MUST BE 6 PER 305 mm.
- 1. SLOPE OF HORIZONTAL PIPING TO BE MINIMUM OF 3 PER 305 mm.

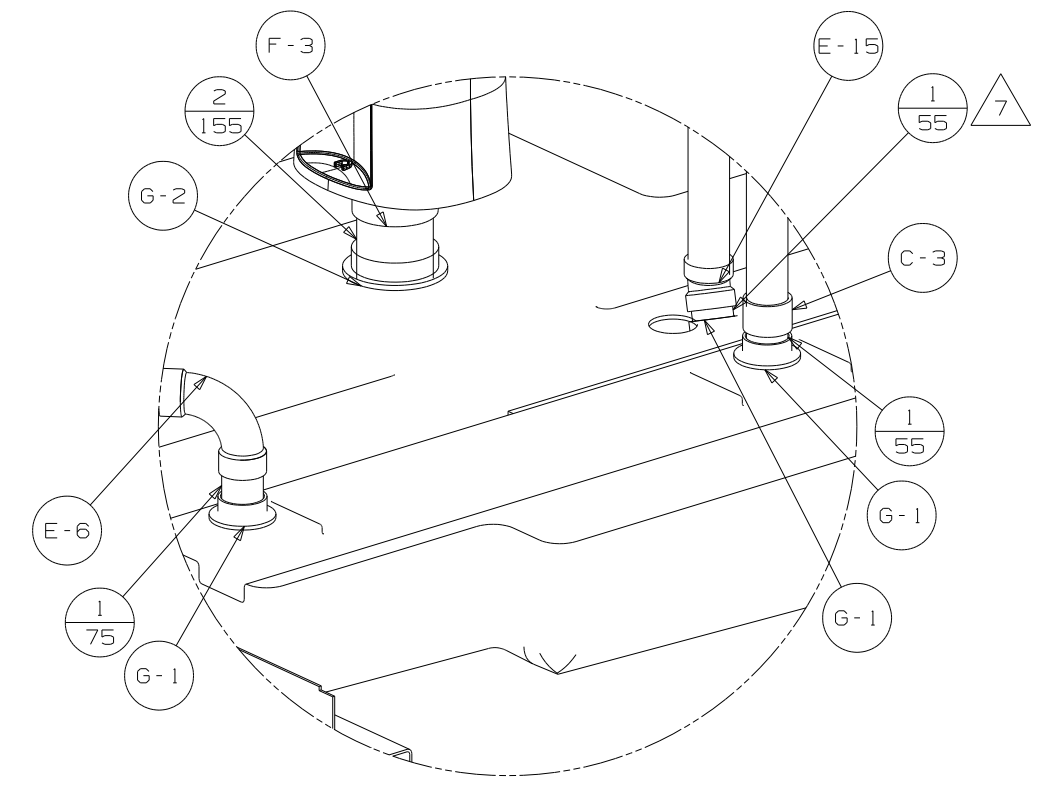
NOTES:

WINNEBAGO		COPYRIGHT 2011 WINNEBAGO INDUSTRIES, INC.	
DFT	ORIG. DATE	ALL DIMENSIONS ARE IN MILLIMETERS	
CHKR		FIRST USED	
P.E.		11 J32H	
M.E.		UNSPECIFIED TOLERANCES ARE:	
DSNR		MATERIAL:	
		WHOLE DIM (X)	: 3
		ONE-PLACE (X.X)	: 1.5
		TWO-PLACE (X.XX)	: 0.50
		ANGLE	: 1°
		THIRD ANGLE PROJECTION	
DO NOT SCALE DRAWING		REFER TO ES0018 FOR FASTENER TIGHTENING GUIDELINES	
TITLE: DRAINAGE SYSTEM INSTL			
SHEET 1 OF 4	PART NO	173276	REV

(X-X)
FOR
DRAINAGE
CALLOUTS
SEE DWG NO
116229-01-000

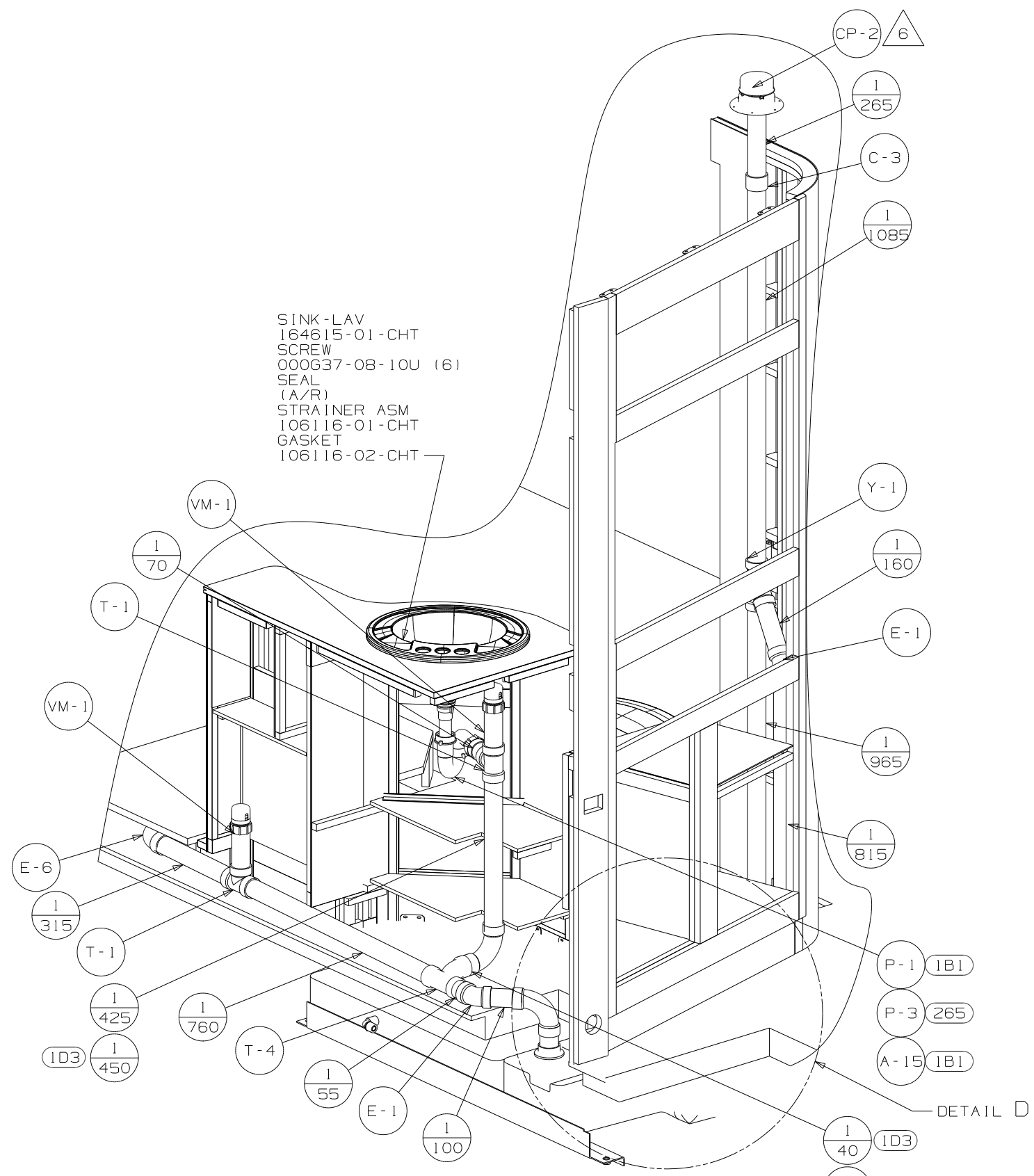


VIEW G



DETAIL D
(SHOWN W/OUT FLOOR & CABINETS)

SINK-LAV
 164615-01-CHT
 SCREW
 000G37-08-10U (6)
 SEAL
 (A/R)
 STRAINER ASM
 106116-01-CHT
 GASKET
 106116-02-CHT



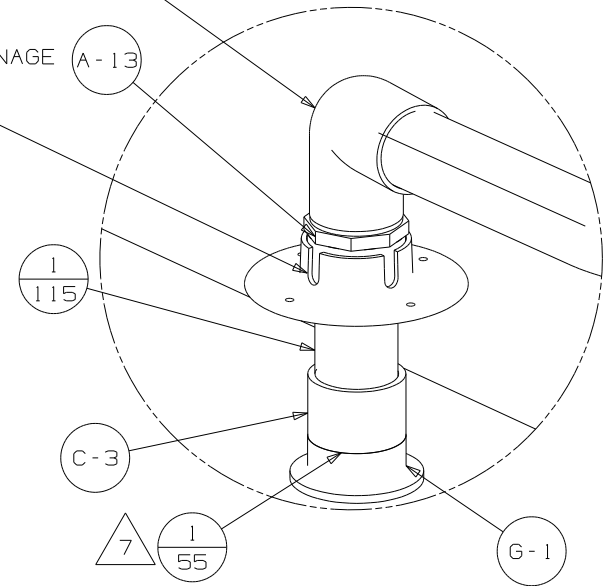
VIEW A

FIRST USED	11 J32H		
TITLE	DO NOT SCALE DRAWING		
	DRAINAGE SYSTEM INSTL		
SHEET 2	PART NO	173276	REV

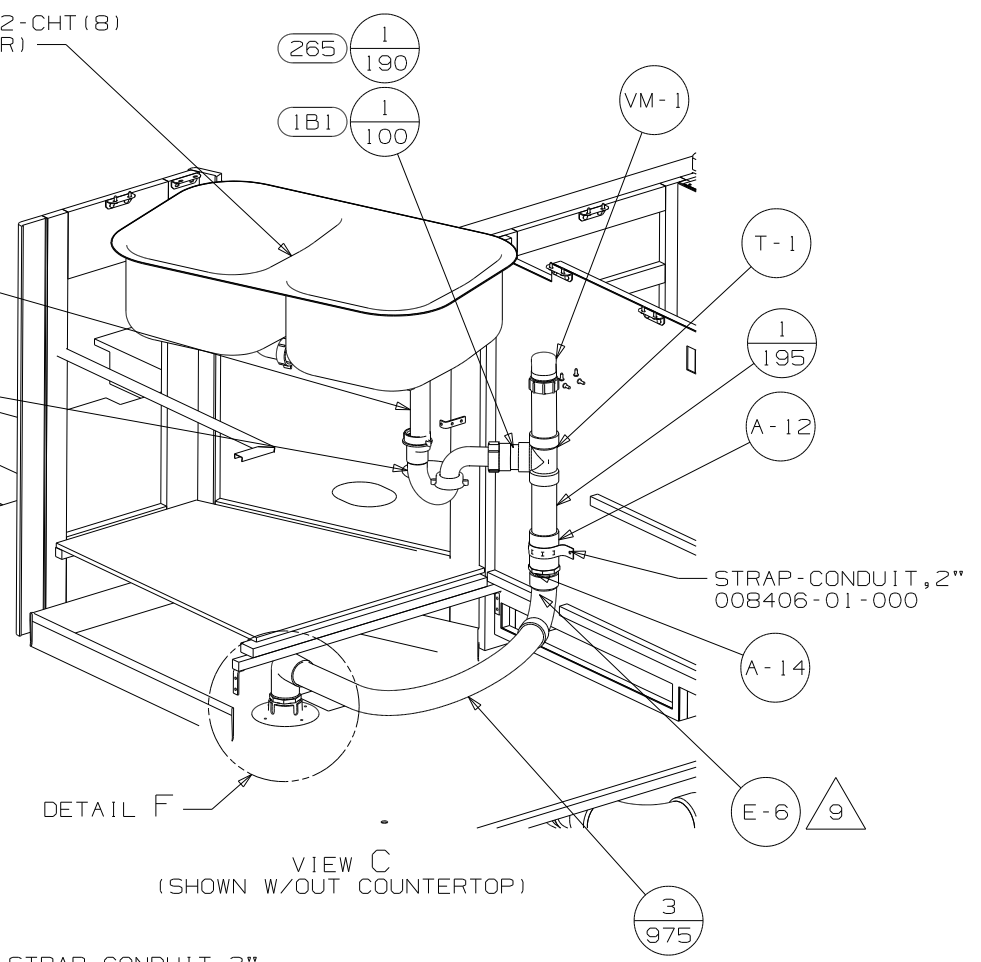
- SINK 173783-01-CHT
- STRAINER 092303-01-000 (2) Δ 4
- BRACKET 140002-01-CHT (8)
- SCREW 142261-02-CHT (8)
- SEAL (A/R)

- Δ 9 ELBOW 136111-01-000

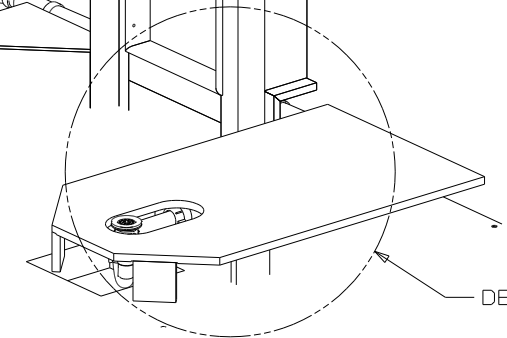
- FITTING-BULKHEAD, DRAINAGE 136656-01-CHT



- 1B1 P-1
- 265 P-3
- 1B1 A-15

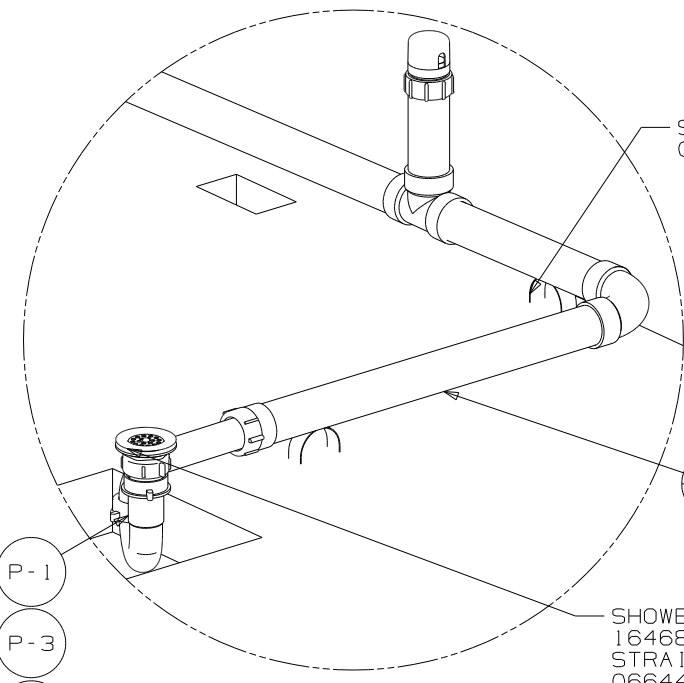


- TOILET 160815-01-CHT
- SCREW 87721-01-000 (8)



DETAIL E

VIEW B



- 1B1 P-1
- 265 P-3
- 1B1 A-15

STRAP-CONDUIT, 2" 008406-01-000 (2)

- SHOWER INSTL 164684-02-000
- STRAINER 066440-01-000
- TAILPIECE 011069-02-000
- NUT 130403-01-000
- WASHER-RUBBER 127440-02-CHT

DETAIL E (SHOWN W/OUT CABINETS)

FIRST USED	11 J32H	
TITLE	DO NOT SCALE DRAWING	
	DRAINAGE SYSTEM INSTL	
SHEET 3	PART NO 173276	REV

8

7

6

5

4

3

2

1

D

D

C

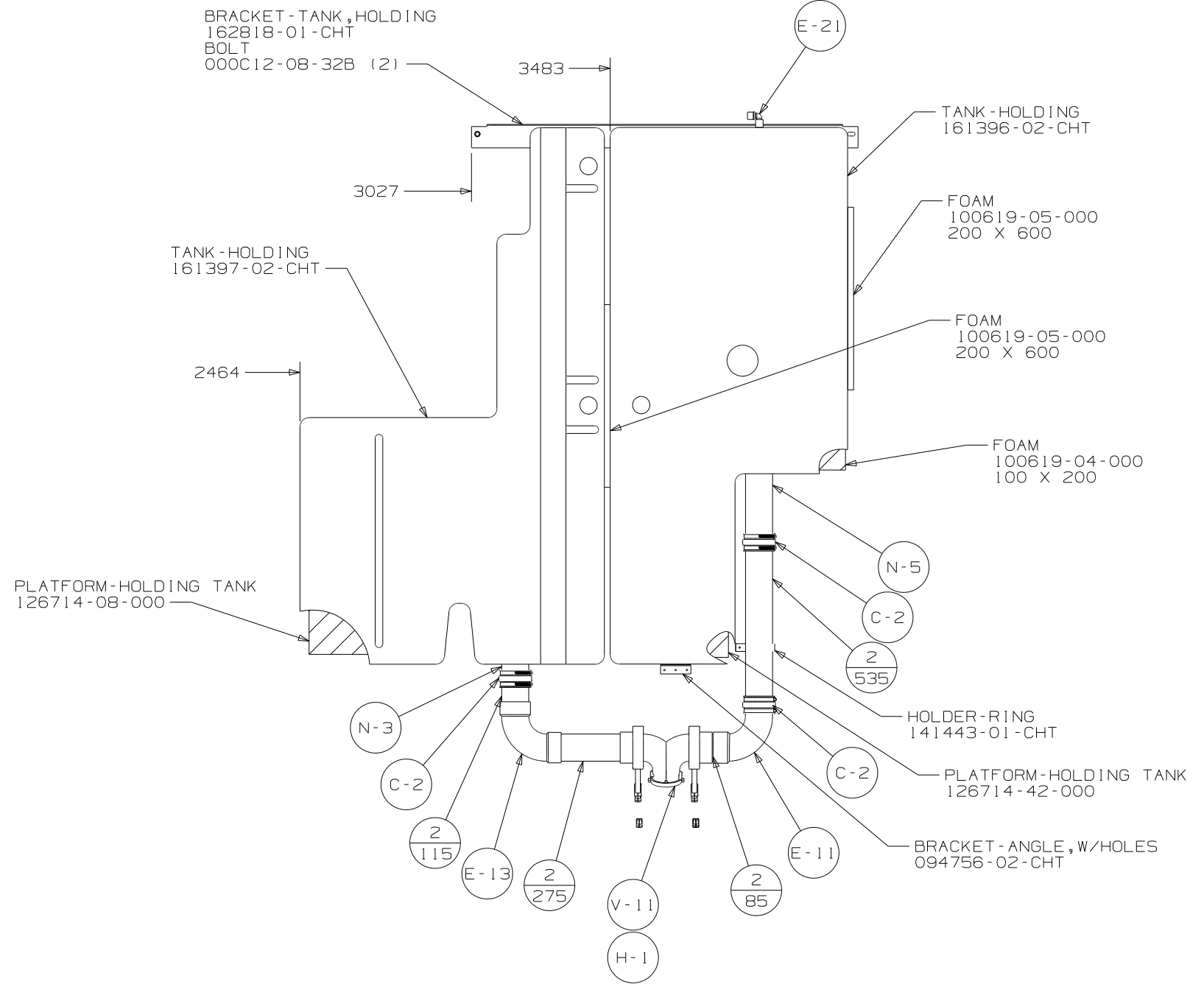
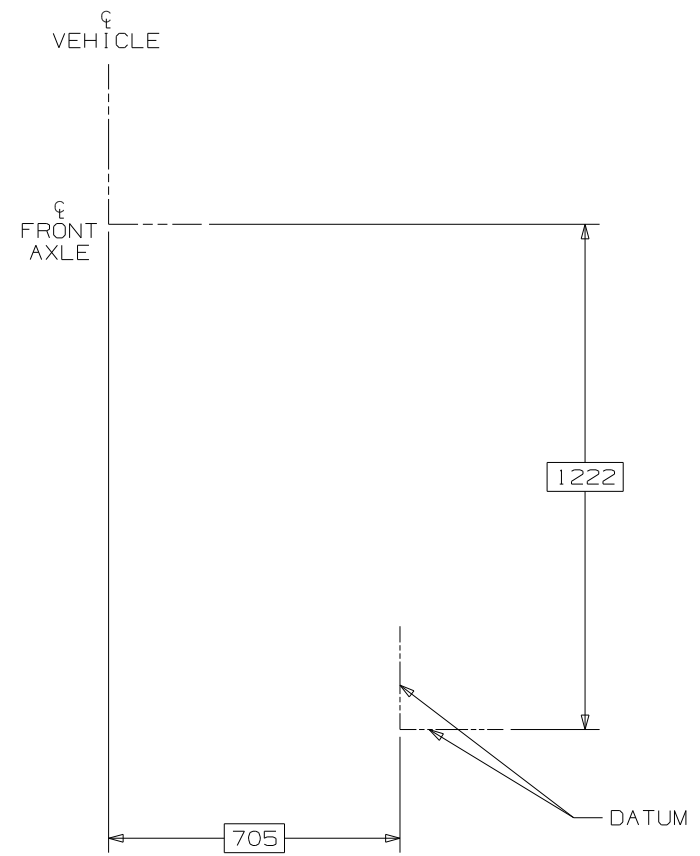
C

B

B

A

A



TOP VIEW
(SHOWING TANKS AND DRAINS)

FIRST USED	11 J32H		
TITLE	DO NOT SCALE DRAWING		
	DRAINAGE SYSTEM INSTL		
SHEET 4	PART NO	173276	REV

8

7

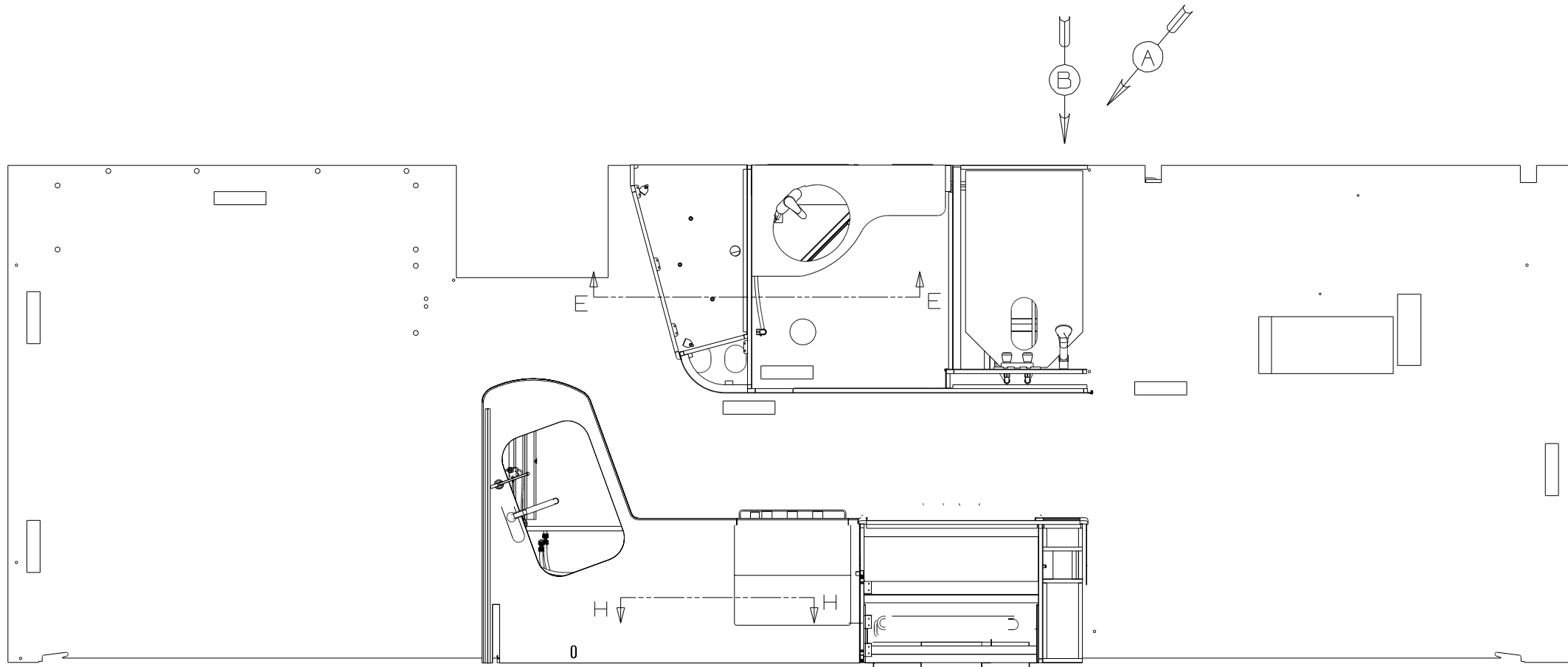
6

5

4

3

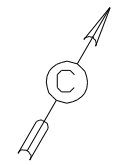
2



- (144) REFRIGERATOR-DOUBLE DOOR
- (15U) REFRIGERATOR/FRZR-W/ICEMAKER
- (29B) WATER PURIFIER
- (1B2) WTR HTR-10 GAL/ELEC/LP/MTRAIID
- (53E) WATER SYS WINTERIZATION PKG

- △6 USE IN PLACE OF SUPPLIED SCREWS TO ATTACH BRACKET TO WALL.
- △5 ADD TEFLON TAPE 010405-02-000.
- △4 ADD TEFLON TAPE 010405-01-000.
- 3. ALL TUBING TO BE SECURED AT 1200 INTERVALS MAXIMUM WITH CLAMP 010495-01-000 AND SCREW 000G67-10-12B OR EQUIVALENT.
- 2. TUBING TO BE INSTALLED WITH SUFFICIENT SLOPE TO PROVIDE DRAINAGE TO NEAREST VALVE.
- 1. PLASTIC FITTINGS TO BE SEALED WITH SEALANT 084456-01-000.

NOTES:



(X-X)
FOR
WATER
CALLOUTS
SEE DWG NO
116230-01-000

WINNEBAGO		COPYRIGHT 2011 WINNEBAGO INDUSTRIES, INC.	
DFT	ORIG. DATE	ALL DIMENSIONS ARE IN MILLIMETERS	
CHKR		FIRST USED	
P.E.		11 J32H	
M.E.		UNSPECIFIED TOLERANCES ARE:	
DSNR		MATERIAL:	
		WHOLE DIM (X)	: 3
		ONE-PLACE (X.X)	: 1.5
		TWO-PLACE (X.XX)	: 0.50
		ANGLE	: 1°
		THIRD ANGLE PROJECTION	
DO NOT SCALE DRAWING		REFER TO ES0018 FOR FASTENER TIGHTENING GUIDELINES	
TITLE: WATER SYSTEM INSTL			
SHEET 1 OF 5	PART NO	173275	REV

6 SHOWER HEAD
17668-01-CHT

PANEL - SHOWER
167738-02-CHT

F-2

S-1
2

DETAIL L

E-38
2

4

TO TOILET

DETAIL N

TU-8
1050

E-38

U-2

CH-3

DETAIL P
(SHOWN W/OUT CABINETS)

FAUCET-WATER PURIFIER
103635-01-000

FAUCET-GALLEY, SGL CONTROL
165743-01-CHT

DETAIL M

TU-9
110

T-19

T-20

DETAIL L S-1

FAUCET-LAV
165730-01-CHT

15U
79W

TU-5
320

15U
79W

V-17

15U
79W

TU-5
320

144

TU-5
420

S-1

S-1

DETAIL M
(SHOWN W/OUT CABINETS)

FILTER-KIT
160946-01-000
SCREW
000667-10-12U (2)

TO ICEMAKER

A-22

T-22

TU-9
110

T-19

T-20

DETAIL L S-1

FAUCET-LAV
165730-01-CHT

15U
79W

TU-5
320

15U
79W

V-17

15U
79W

TU-5
320

144

TU-5
420

S-1

S-1

DETAIL M
(SHOWN W/OUT CABINETS)

FILTER-KIT
160946-01-000
SCREW
000667-10-12U (2)

TO ICEMAKER

A-22

T-22

TU-9
110

T-19

T-20

DETAIL L S-1

FAUCET-LAV
165730-01-CHT

TOP OF SURROUND

180.0

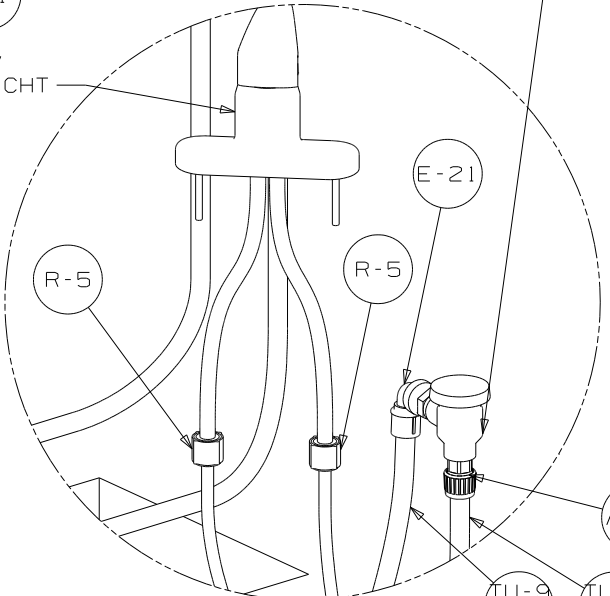
226

VIEW B
(ROTATED)
BREAKER-VACUUM
125697-04-000
MUST BE MOUNTED ABOVE
TOILET FLOOD LEVEL
CHECK VALVE
5 125697-03-000

TU10
3900

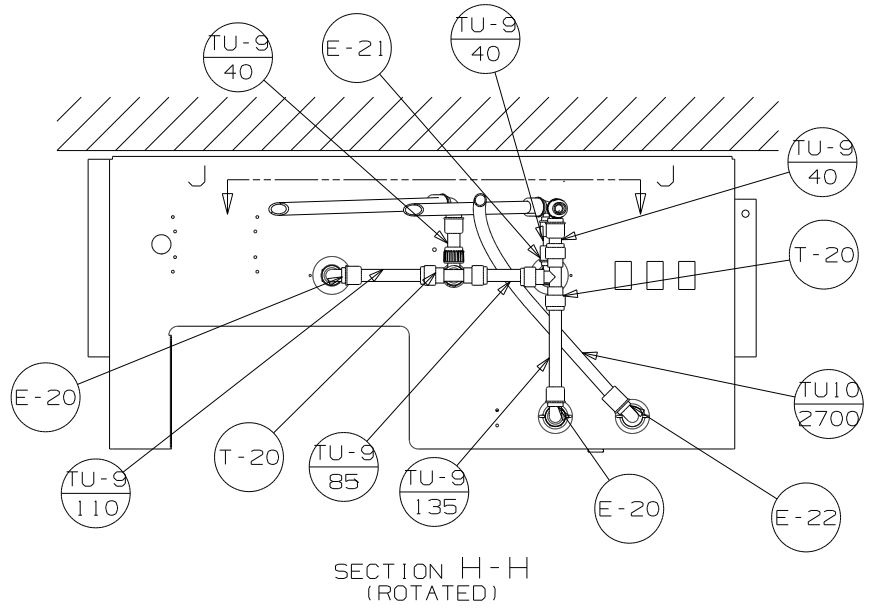
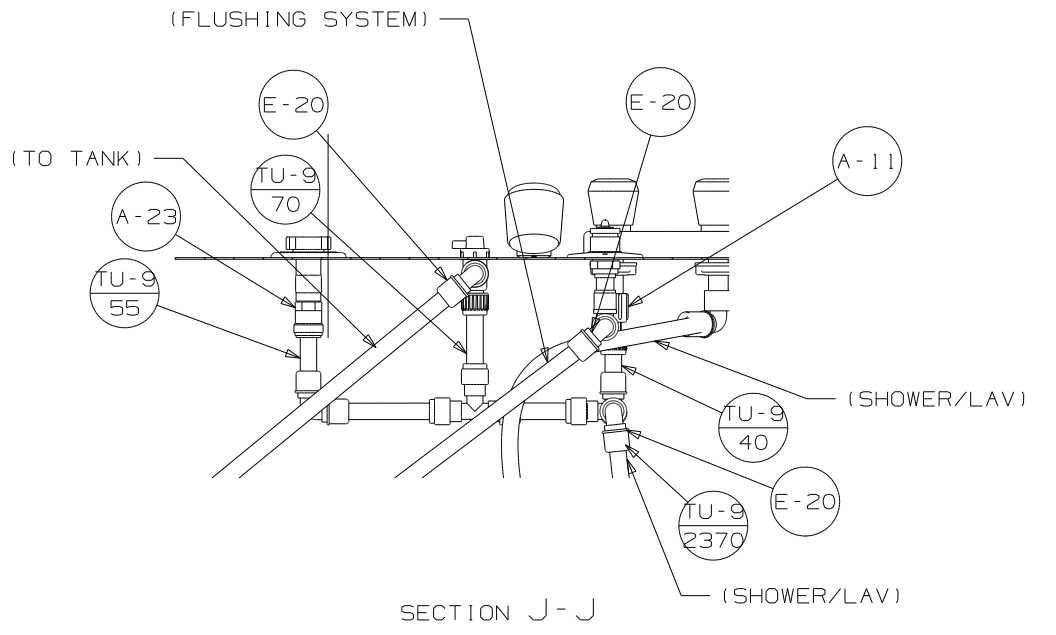
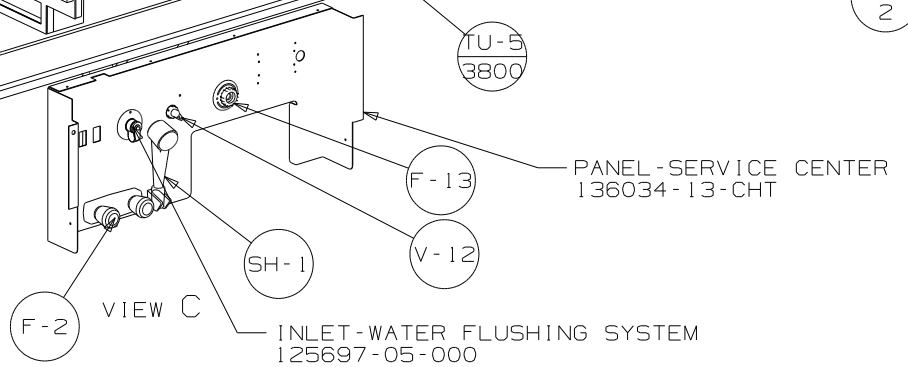
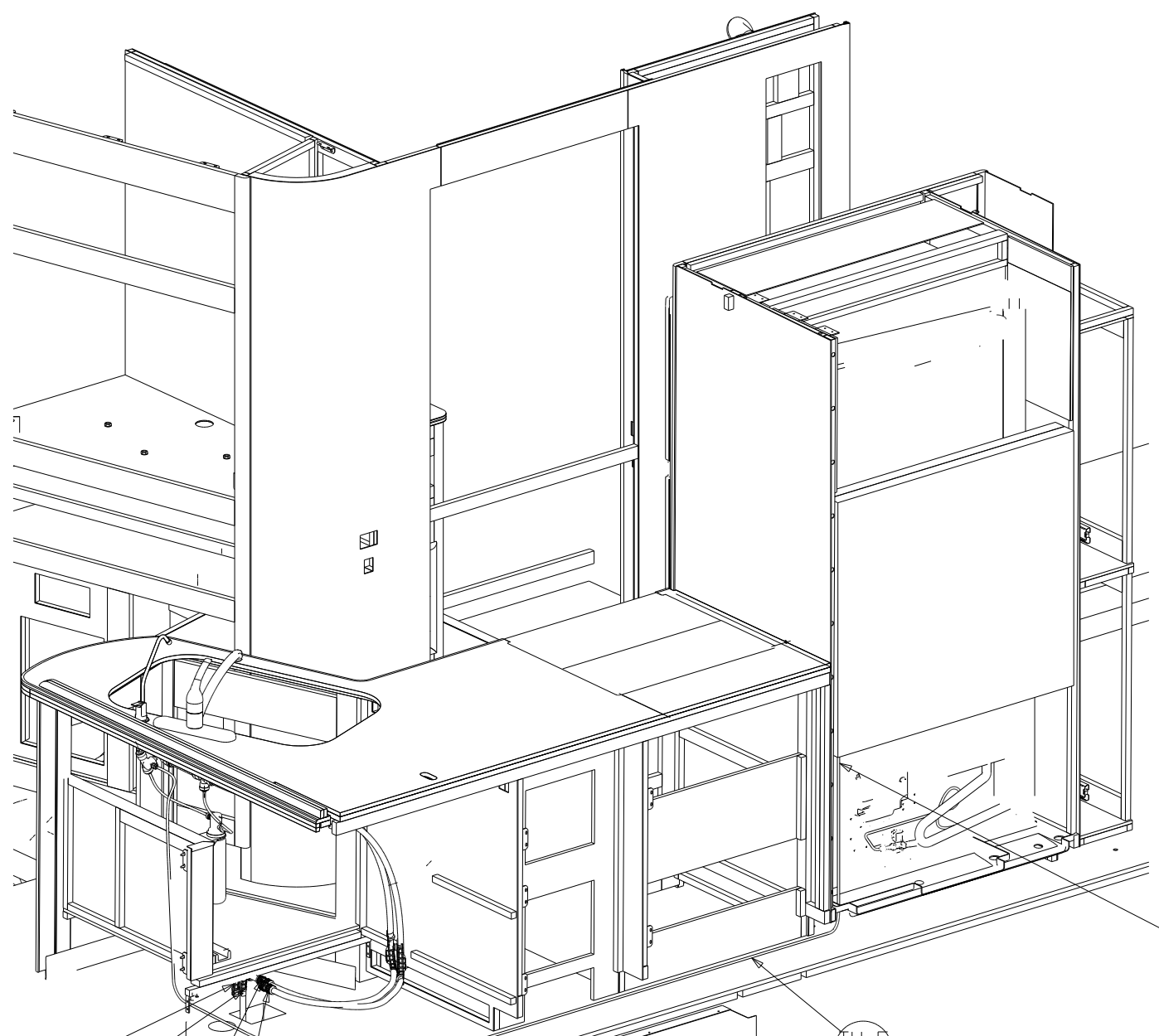
TU-9
3900

5

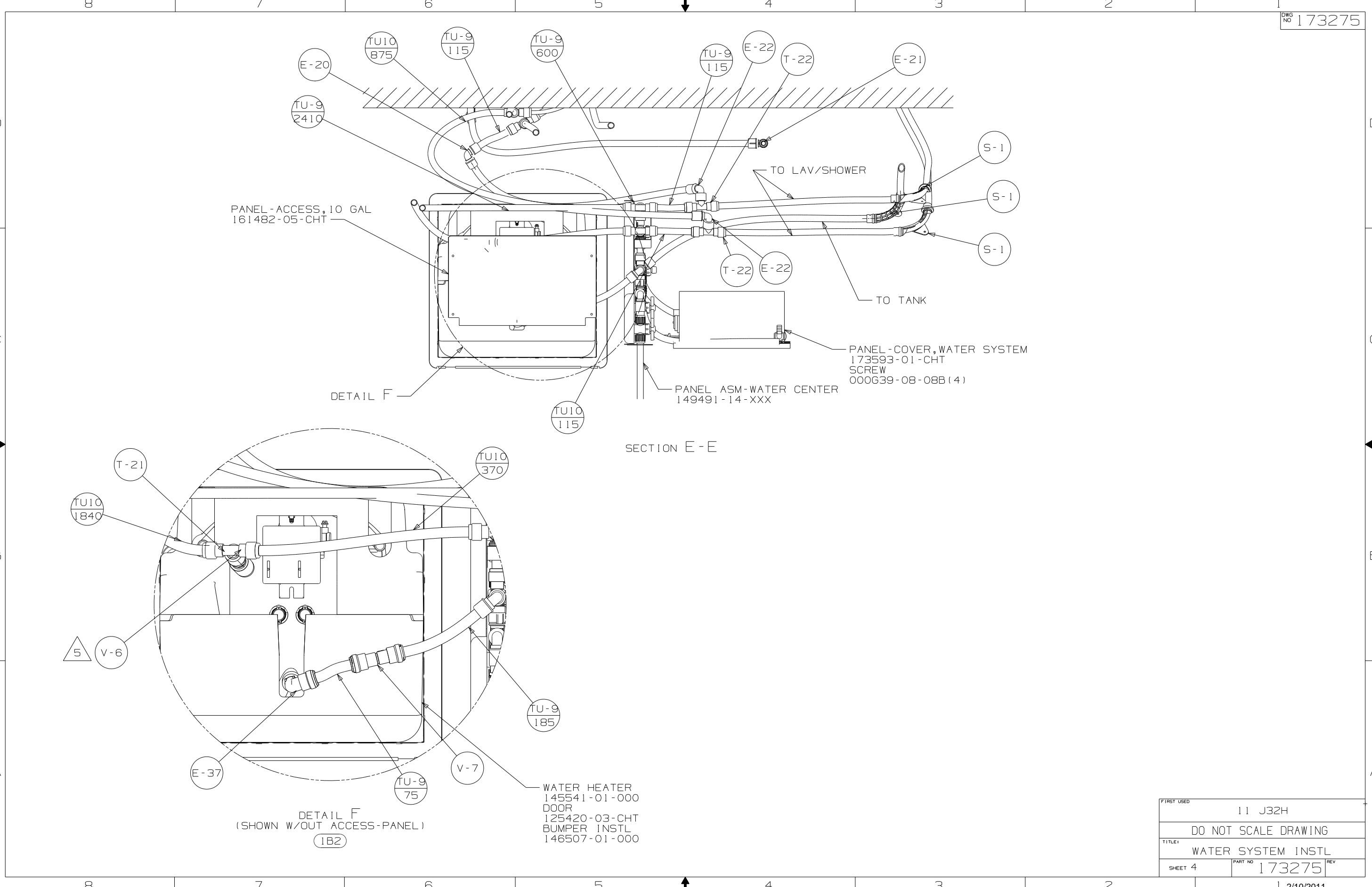


DETAIL N
(SHOWN W/OUT CABINETS)

FIRST USED	11 J32H		
TITLE:	DO NOT SCALE DRAWING		
	WATER SYSTEM INSTL		
SHEET 2	PART NO	173275	REV



FIRST USED	11 J32H	
TITLE	DO NOT SCALE DRAWING	
TITLE	WATER SYSTEM INSTL	
SHEET 3	PART NO 173275	REV



PANEL - ACCESS, 10 GAL
161482-05-CHT

TO LAV/SHOWER

TO TANK

PANEL - COVER, WATER SYSTEM
173593-01-CHT
SCREW
000G39-08-08B (4)

PANEL ASM-WATER CENTER
149491-14-XXX

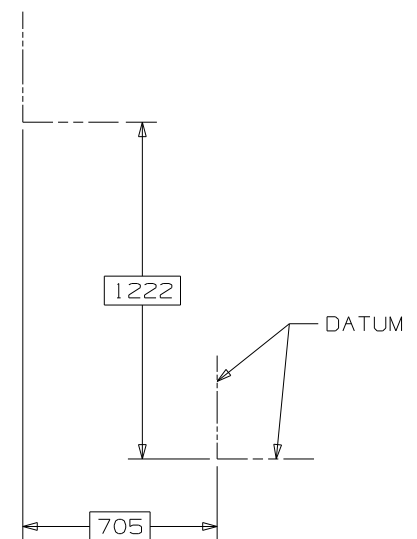
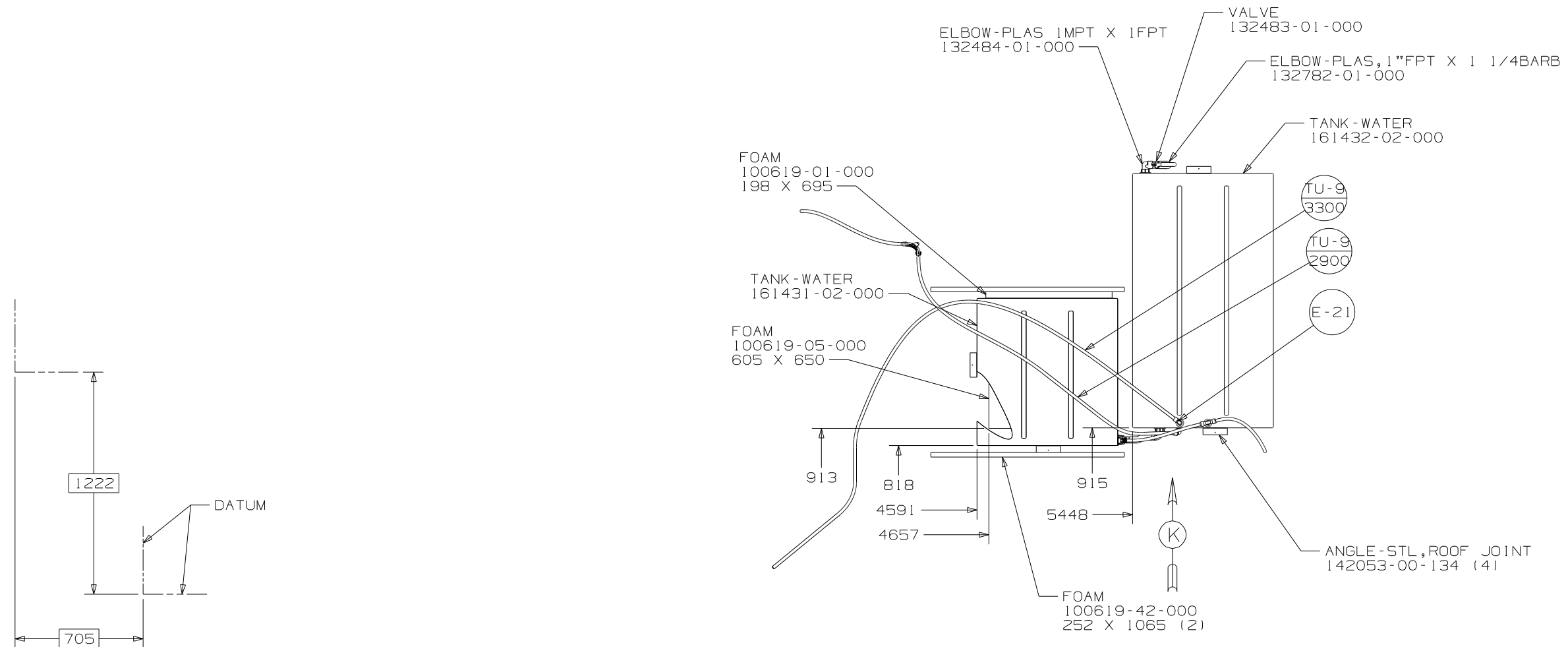
SECTION E-E

DETAIL F
(SHOWN W/OUT ACCESS-PANEL)

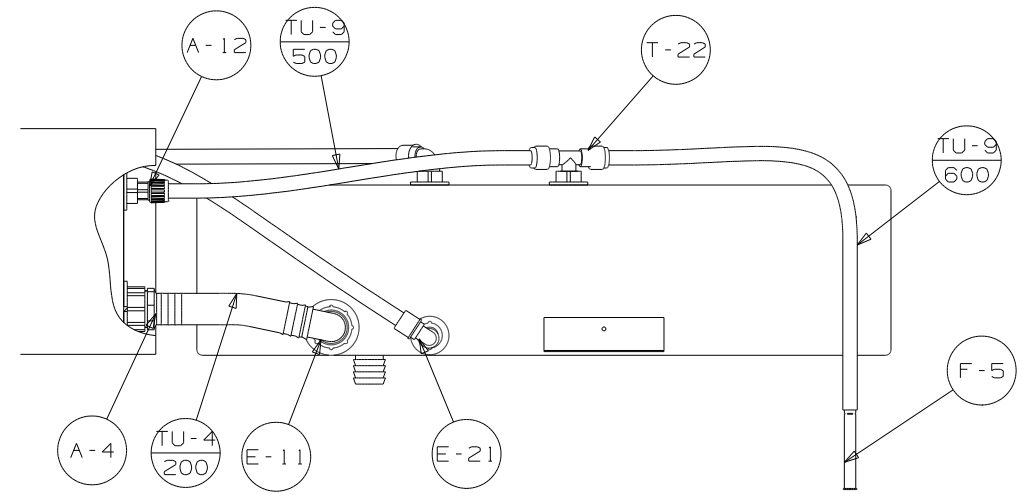
1B2

WATER HEATER
145541-01-000
DOOR
125420-03-CHT
BUMPER INSTL
146507-01-000

FIRST USED	11 J32H	
TITLE:	DO NOT SCALE DRAWING	
SHEET 4	PART NO	173275
	REV	



TOP VIEW
(ONLY SHOWING TANKS AND PIPING TO TANKS)



VIEW K

FIRST USED	11 J32H		
TITLE:	DO NOT SCALE DRAWING		
TITLE:	WATER SYSTEM INSTL		
SHEET 5	PART NO	173275	REV