

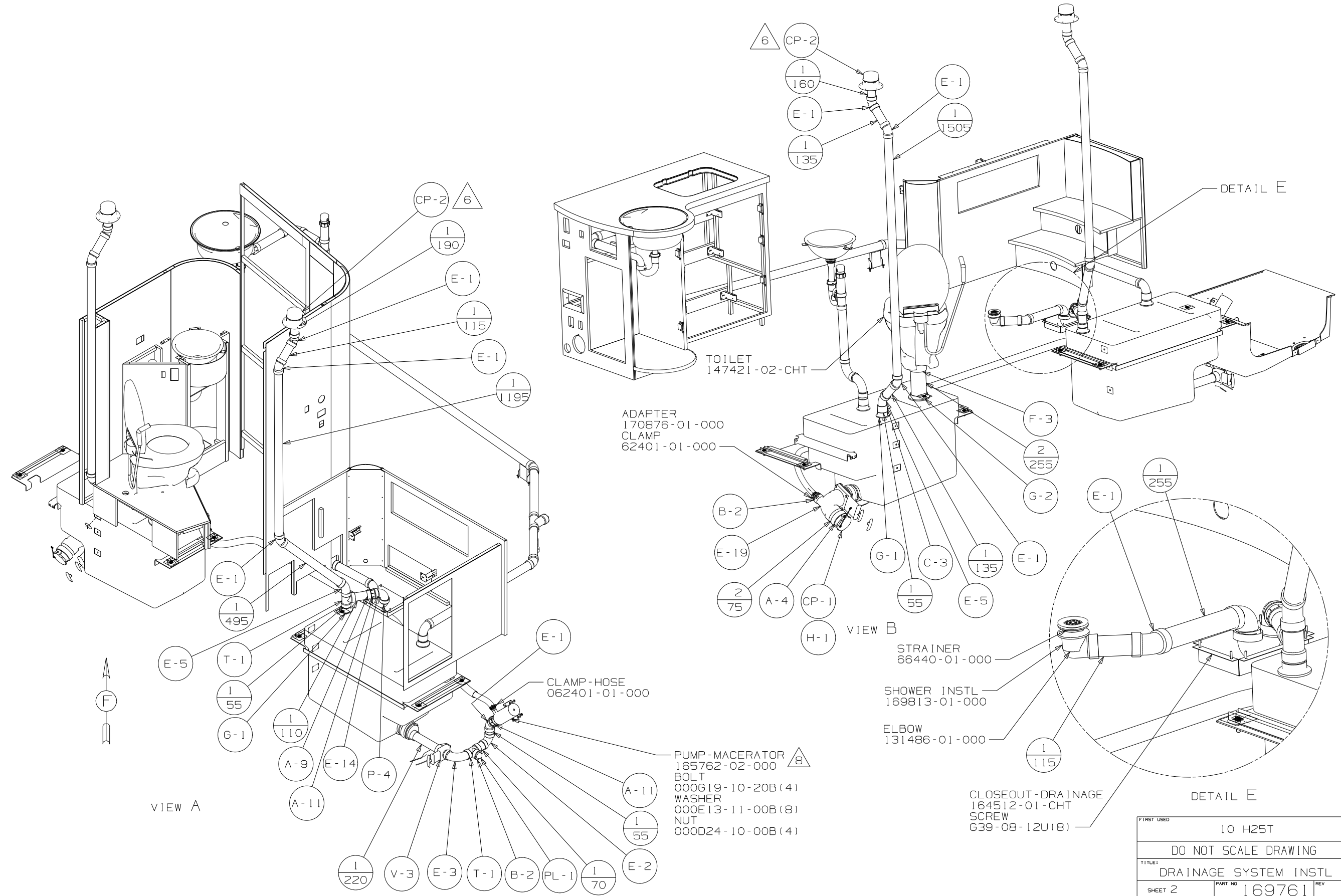
- (1JD) DRAINAGE SYSTEM-HEATED-W/O
- (23T) DRAINAGE SYSTEM-HEATED
- (464) TOILET
- (265) CODES/STANDARDS-CSA/CMVSS
- (1B1) CODES/STANDARDS USA

- 9. PREP THE SURFACE PER MANUFACTURERS INSTRUCTIONS BEFORE APPLYING THE HEADING PAD.
- 8. FOLLOW SEWAGE MACERATOR PUMP WINTERIZATION PROCEDURE. EACH PUMP REQUIRES TWO GALLONS OF RV ANTIFREEZE 157665-02-000.
- 7. SECURE VENT PIPE TO FLOOR WITH CLAMP 62401-02-000 (2), SCREW G67-10-12B (2), BRACKET 136878-01-CHT (2).
- 6. VENT PIPE MUST PROJECT 51 MIN AND 64 MAX ABOVE ROOF FOR PROPER FIT AND FUNCTION. ADD S-1 (116666-01-CHT SEAL-VENT PIPE) AROUND PIPE ON ROOF BEFORE VENT CAP IS INSTALLED.
- 5. SEAL AROUND SHOWER WITH SILICONE.
- 4. SECURE DRAINAGE PIPES TO CABINET USING WIRE TIE 108046-02-000, AND SCREW G67-10-12B AT INTERVALS OF NOT MORE THAN 4 FEET APART.
- 3. ALL PIPE AND FITTINGS TO BE ASSEMBLED WITH SOLVENT 4020-01-000 (USA), 4020-02-000 (CAN)
- 2. SLOPE OF TRAP ARM MUST BE 6 PER 305 mm.
- 1. SLOPE OF HORIZONTAL PIPING TO BE MINIMUM OF 3 PER 305 mm.

NOTES:

FOR DRAINAGE CALLOUTS SEE DWG NO 116229-01-000

WINNEBAGO		COPYRIGHT 2011 WINNEBAGO INDUSTRIES, INC.	
D/FR	ORIG. DATE	ALL DIMENSIONS ARE IN MILLIMETERS	
CHKR		10 H25T	
P.E.		UNSPECIFIED TOLERANCES ARE:	
M.E.	FIRST USED	WHOLE DIM (X)	: 3
DSNR		ONE-PLACE (X.X)	: 1.5
		TWO-PLACE (X.XX)	: 0.50
		ANGLE	: 1°
THIRD ANGLE PROJECTION		MATERIAL:	
DO NOT SCALE DRAWING		REFER TO ES0018 FOR FASTENER TIGHTENING GUIDELINES	
TITLE: DRAINAGE SYSTEM INSTL			
SHEET 1 OF 4	PART NO 169761	REV	
REF:	1 2/23/2011		



VIEW A

VIEW B

DETAIL E

TOILET
147421-02-CHT

ADAPTER
170876-01-000
CLAMP
62401-01-000

CLAMP-HOSE
062401-01-000

PUMP-MACERATOR
165762-02-000
BOLT
000G19-10-20B(4)
WASHER
000E13-11-00B(8)
NUT
000D24-10-00B(4)

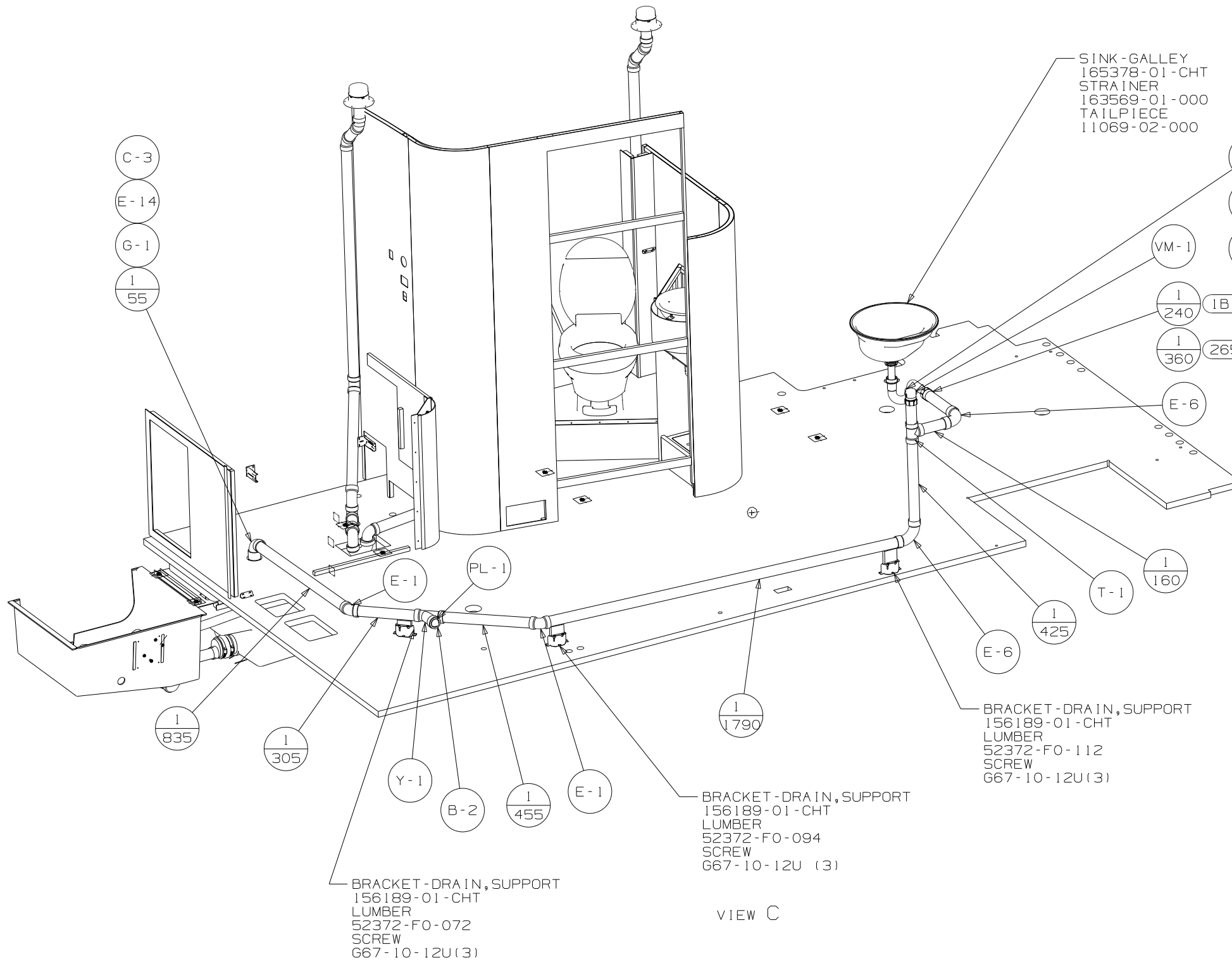
STRAINER
66440-01-000

SHOWER INSTL
169813-01-000

ELBOW
131486-01-000

CLOSEOUT-DRAINAGE
164512-01-CHT
SCREW
G39-08-12U(8)

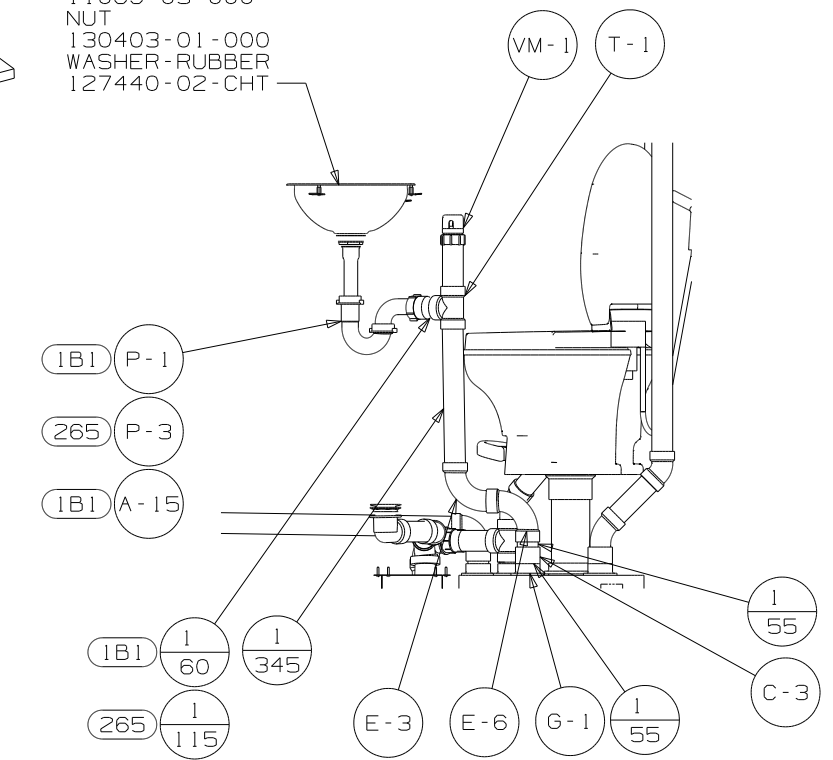
FIRST USED	10 H25T		
TITLE	DO NOT SCALE DRAWING		
	DRAINAGE SYSTEM INSTL		
SHEET 2	PART NO	169761	REV



VIEW C

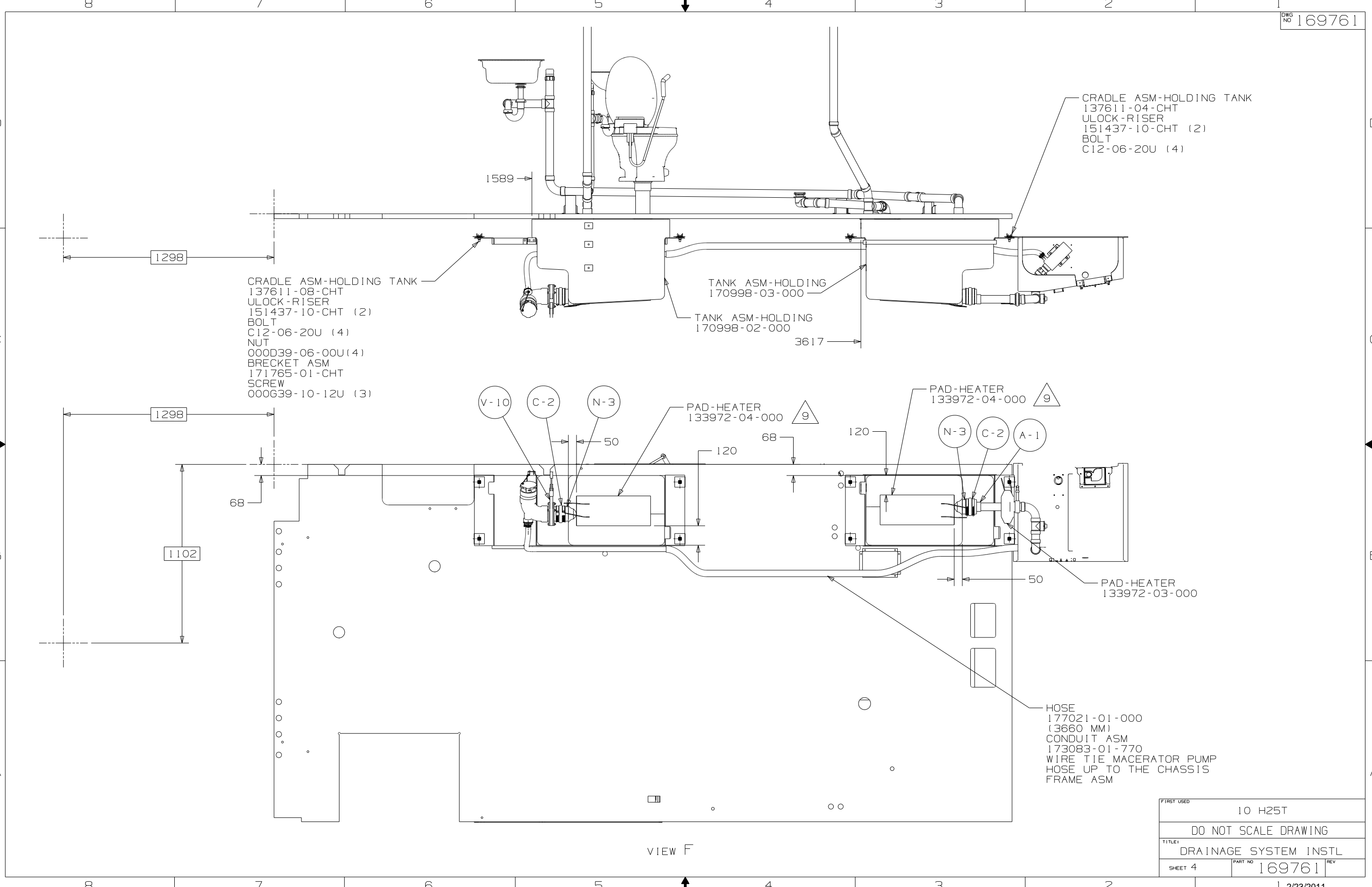
- P-1 (1B1)
- P-3 (265)
- A-15 (1B1)

- VM-1
- 1/240 (1B1)
- 1/360 (265)
- E-6



VIEW D

FIRST USED		10 H25T	
DO NOT SCALE DRAWING			
TITLE: DRAINAGE SYSTEM INSTL			
SHEET 3	PART NO	169761	REV



CRADLE ASM-HOLDING TANK
 137611-08-CHT
 ULOCK-RISER
 151437-10-CHT (2)
 BOLT
 C12-06-20U (4)
 NUT
 000D39-06-00U(4)
 BRECKET ASM
 171765-01-CHT
 SCREW
 000G39-10-12U (3)

CRADLE ASM-HOLDING TANK
 137611-04-CHT
 ULOCK-RISER
 151437-10-CHT (2)
 BOLT
 C12-06-20U (4)

TANK ASM-HOLDING
 170998-03-000
 TANK ASM-HOLDING
 170998-02-000

PAD-HEATER
 133972-04-000

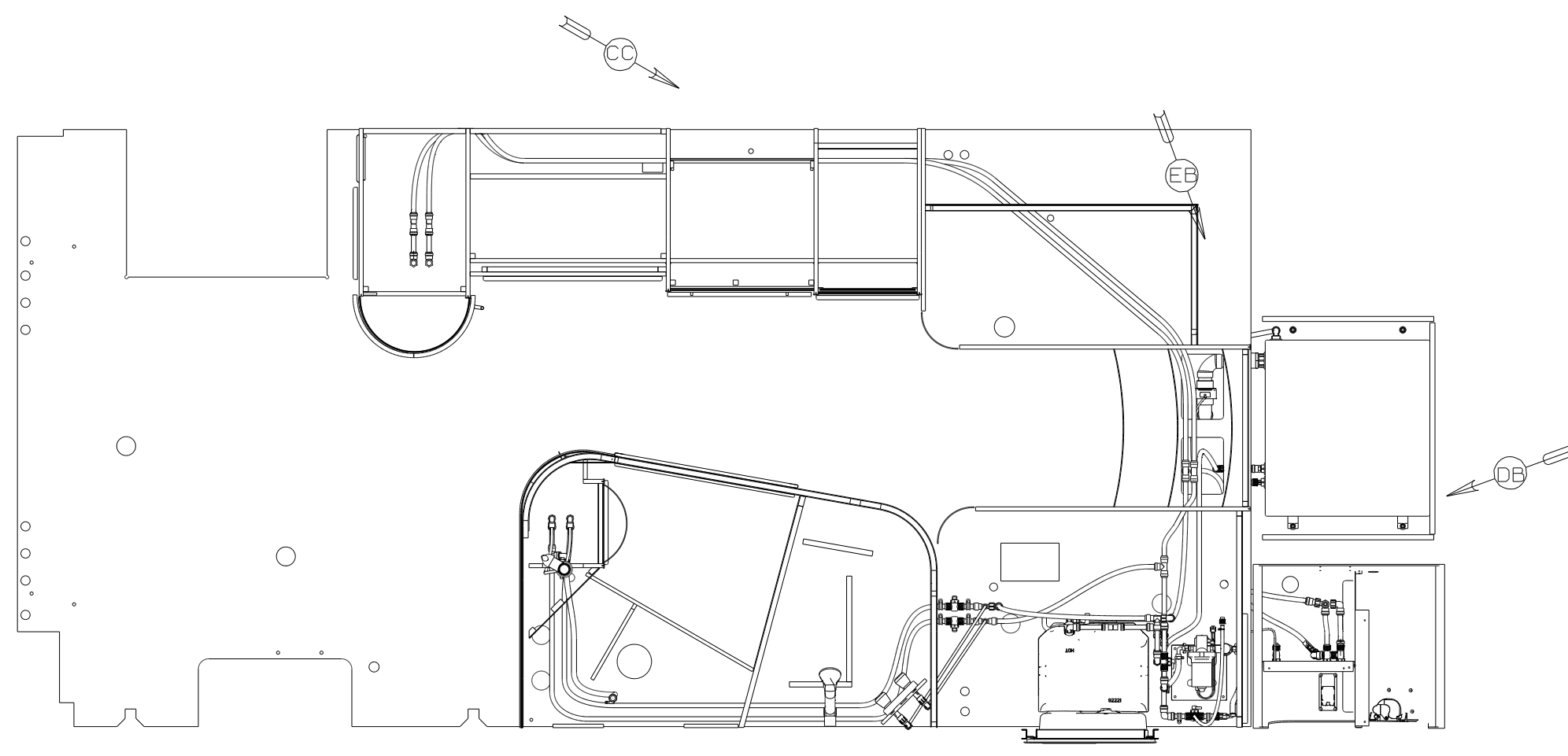
PAD-HEATER
 133972-04-000

PAD-HEATER
 133972-03-000

HOSE
 177021-01-000
 (3660 MM)
 CONDUIT ASM
 173083-01-770
 WIRE TIE MACERATOR PUMP
 HOSE UP TO THE CHASSIS
 FRAME ASM

VIEW F

FIRST USED	10 H25T	
TITLE	DO NOT SCALE DRAWING	
	DRAINAGE SYSTEM INSTL	
SHEET 4	PART NO 169761	REV



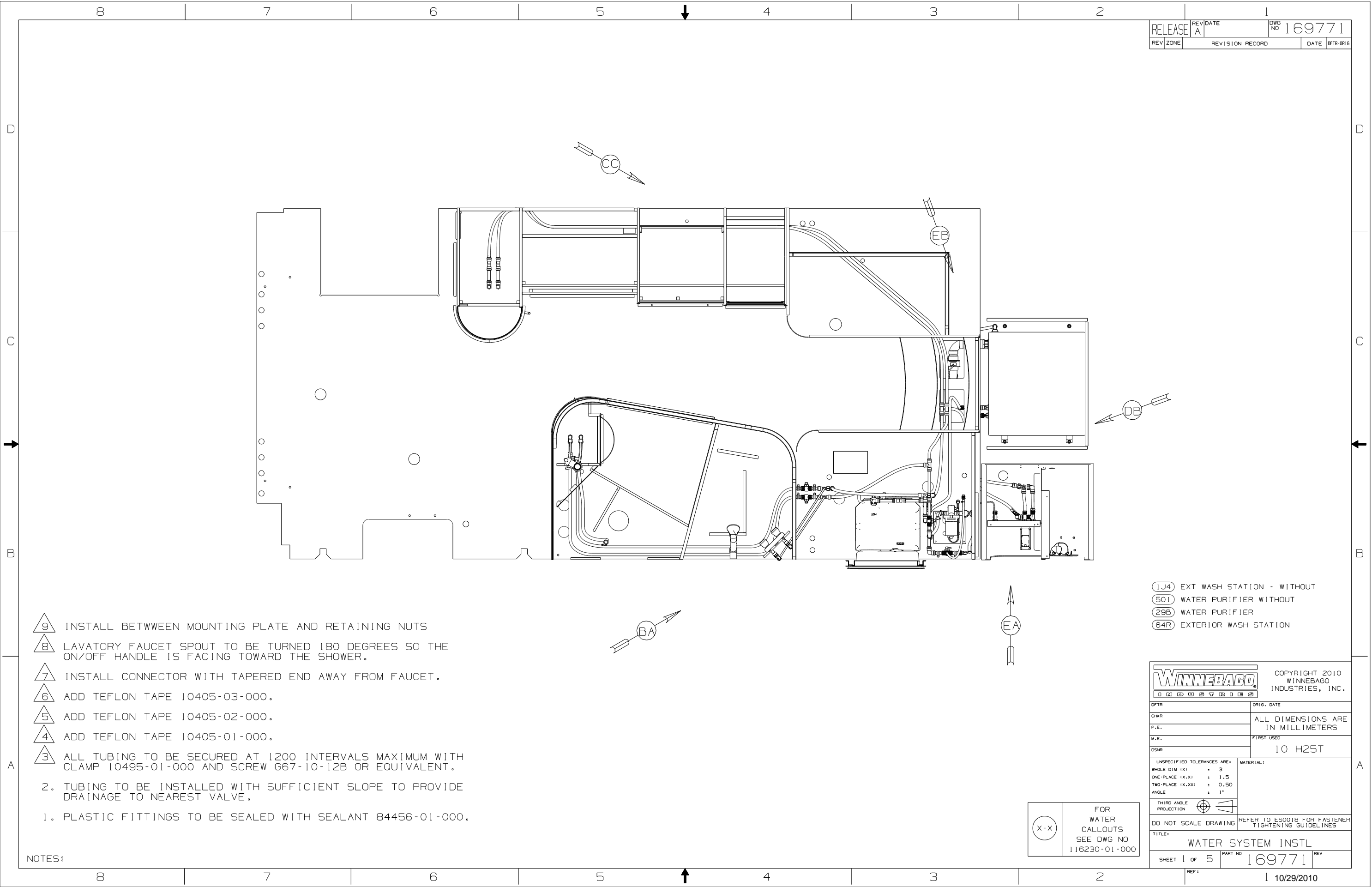
- 9 INSTALL BETWEEN MOUNTING PLATE AND RETAINING NUTS
 - 8 LAVATORY FAUCET SPOUT TO BE TURNED 180 DEGREES SO THE ON/OFF HANDLE IS FACING TOWARD THE SHOWER.
 - 7 INSTALL CONNECTOR WITH TAPERED END AWAY FROM FAUCET.
 - 6 ADD TEFLON TAPE 10405-03-000.
 - 5 ADD TEFLON TAPE 10405-02-000.
 - 4 ADD TEFLON TAPE 10405-01-000.
 - 3 ALL TUBING TO BE SECURED AT 1200 INTERVALS MAXIMUM WITH CLAMP 10495-01-000 AND SCREW G67-10-12B OR EQUIVALENT.
2. TUBING TO BE INSTALLED WITH SUFFICIENT SLOPE TO PROVIDE DRAINAGE TO NEAREST VALVE.
1. PLASTIC FITTINGS TO BE SEALED WITH SEALANT 84456-01-000.

- 1J4 EXT WASH STATION - WITHOUT
- 501 WATER PURIFIER WITHOUT
- 29B WATER PURIFIER
- 64R EXTERIOR WASH STATION

		COPYRIGHT 2010 WINNEBAGO INDUSTRIES, INC.
DFTR	ORIG. DATE	
CHKR	ALL DIMENSIONS ARE IN MILLIMETERS	
P.E.		
M.E.	FIRST USED	
DSNR	10 H25T	
UNSPECIFIED TOLERANCES ARE:		MATERIAL:
WHOLE DIM (X)	: 3	
ONE-PLACE (X.X)	: 1.5	
TWO-PLACE (X.XX)	: 0.50	
ANGLE	: 1°	
THIRD ANGLE PROJECTION		
DO NOT SCALE DRAWING		REFER TO ES0018 FOR FASTENER TIGHTENING GUIDELINES
TITLE: WATER SYSTEM INSTL		
SHEET 1 OF 5	PART NO	169771
REF:	10/29/2010	

FOR WATER CALLOUTS SEE DWG NO 116230-01-000

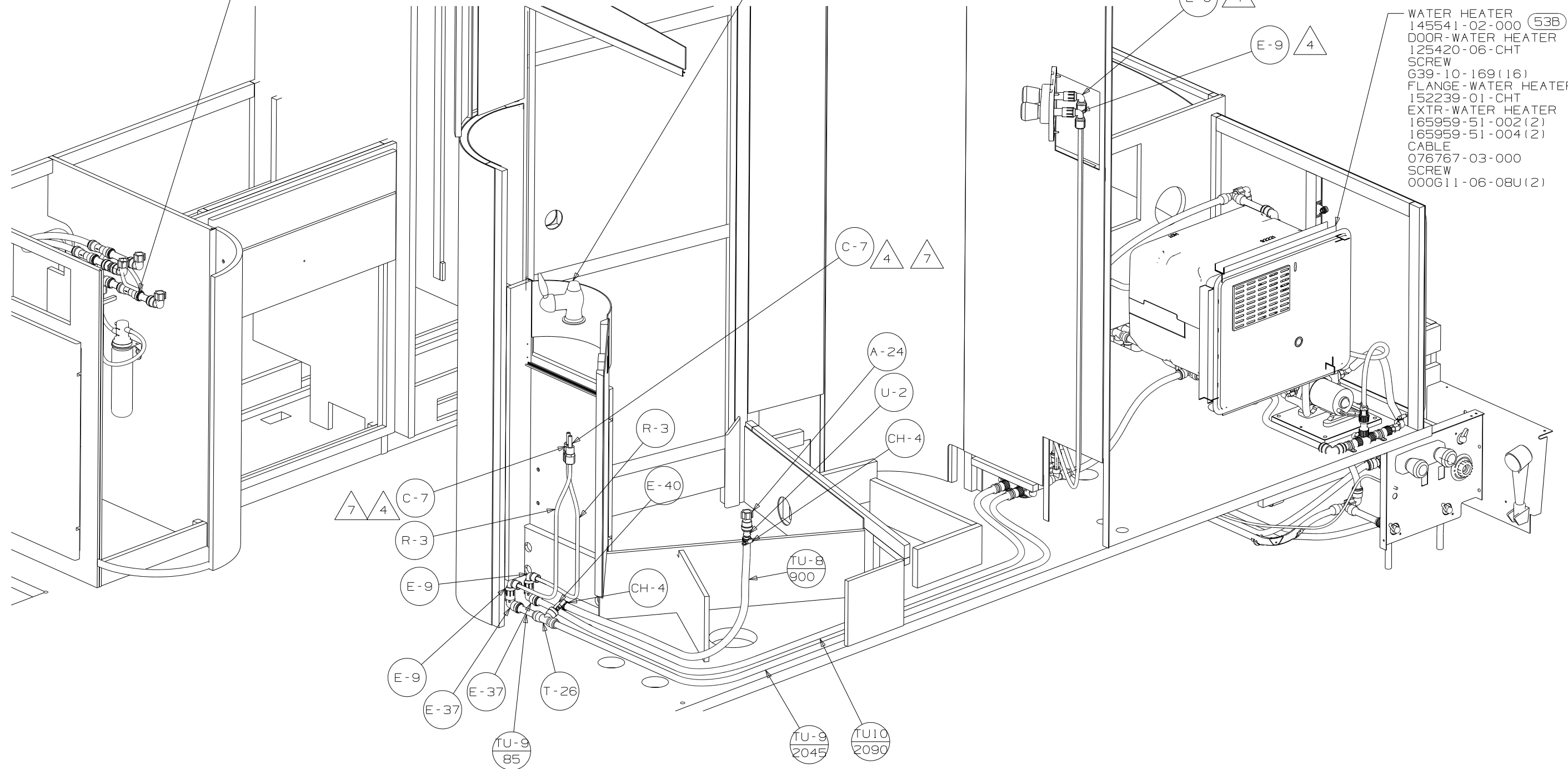
NOTES:



FAUCET - GALLEY
165378-02-CHT

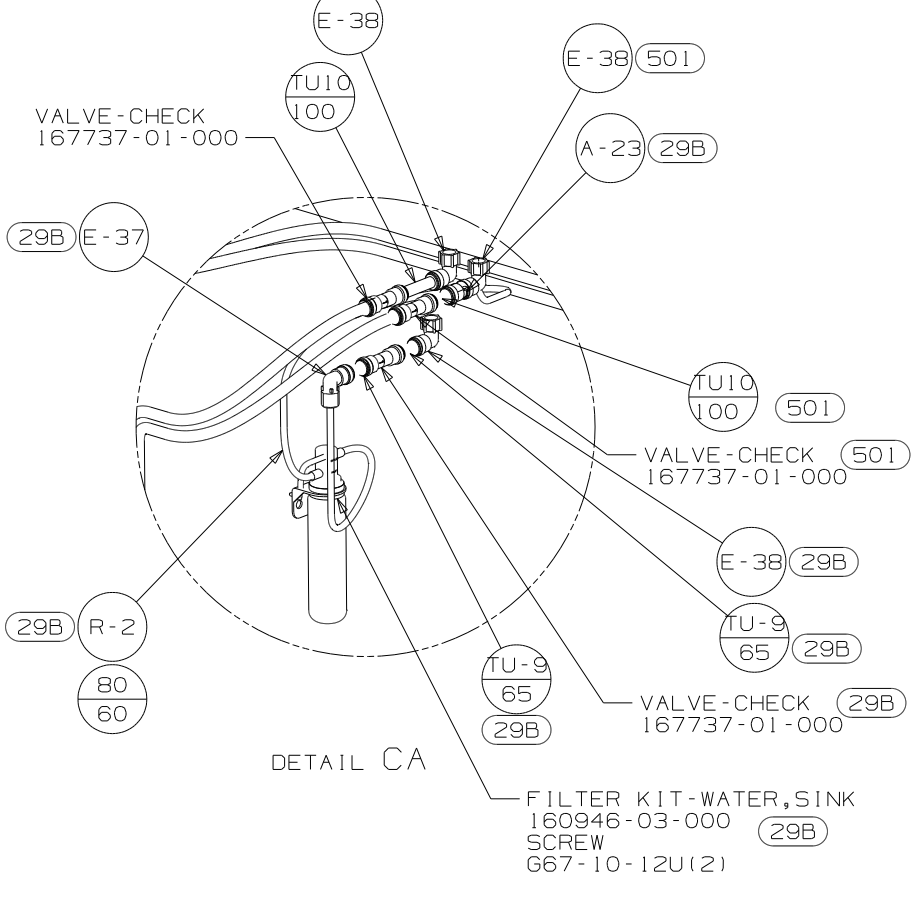
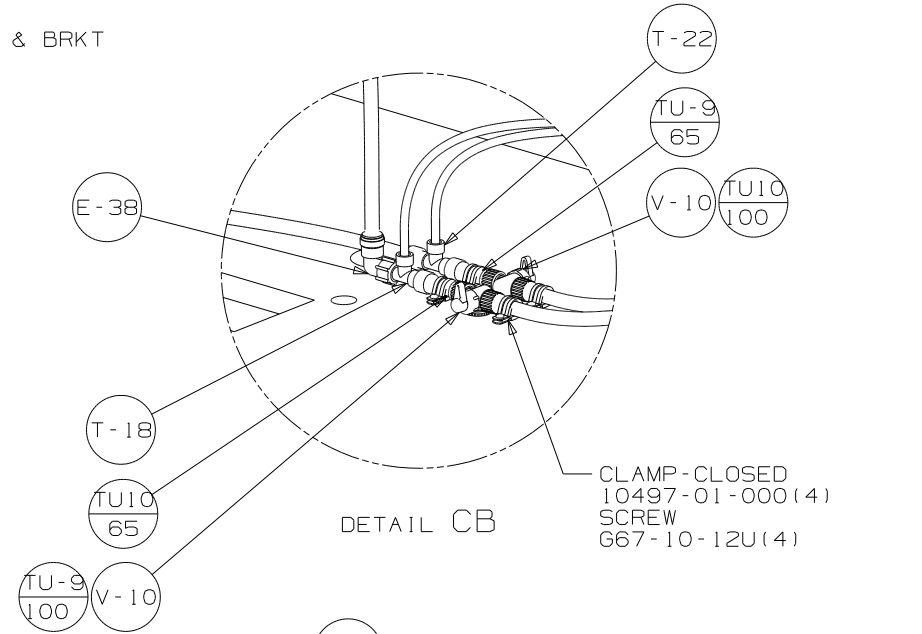
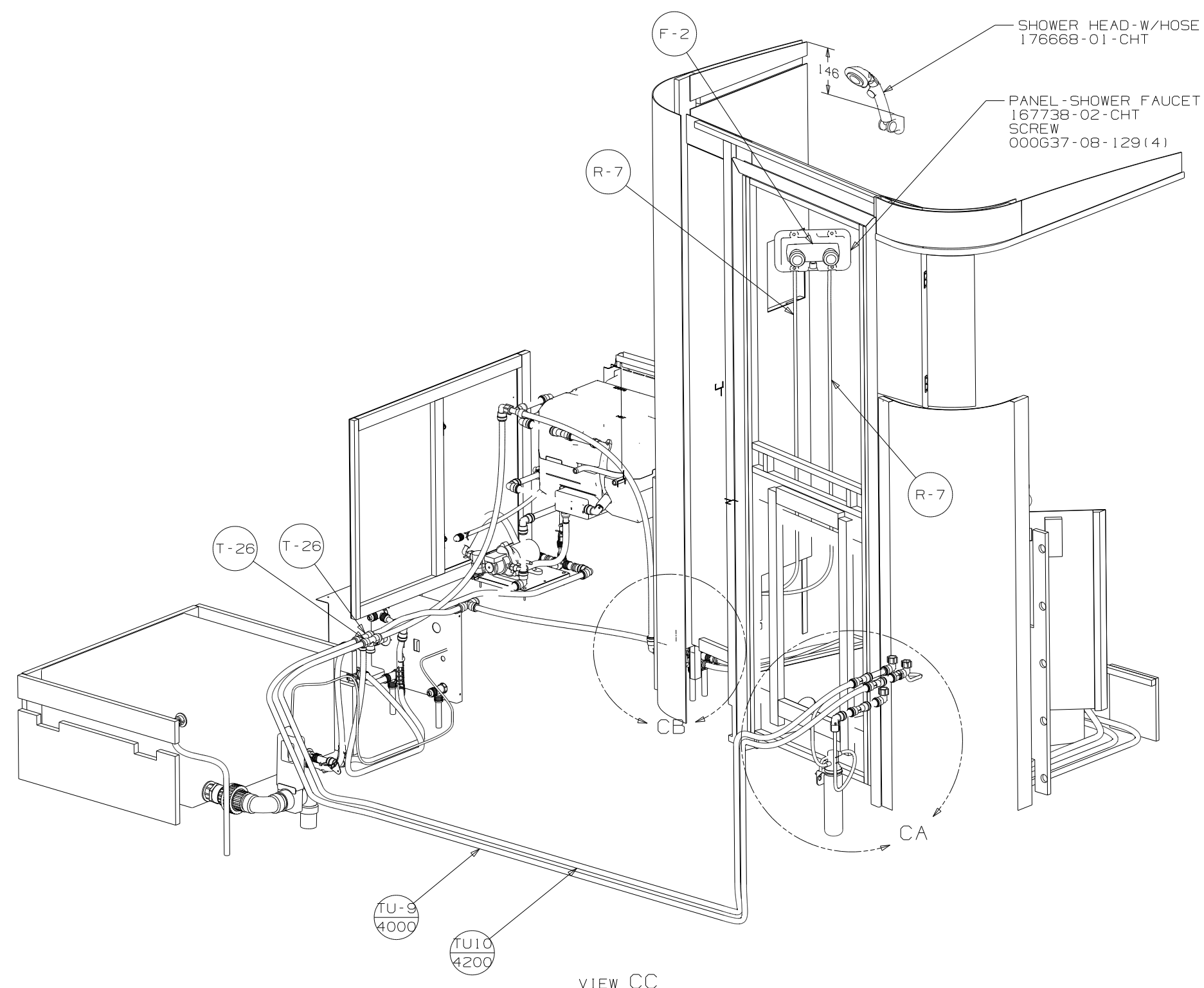
FAUCET - LAVATORY
171481-01-CHT
WASHER
000E13-13-00B(2)

WATER HEATER
145541-02-000 (53B)
DOOR-WATER HEATER
125420-06-CHT
SCREW
G39-10-169(16)
FLANGE-WATER HEATER
152239-01-CHT
EXTR-WATER HEATER
165959-51-002(2)
165959-51-004(2)
CABLE
076767-03-000
SCREW
000G11-06-08U(2)

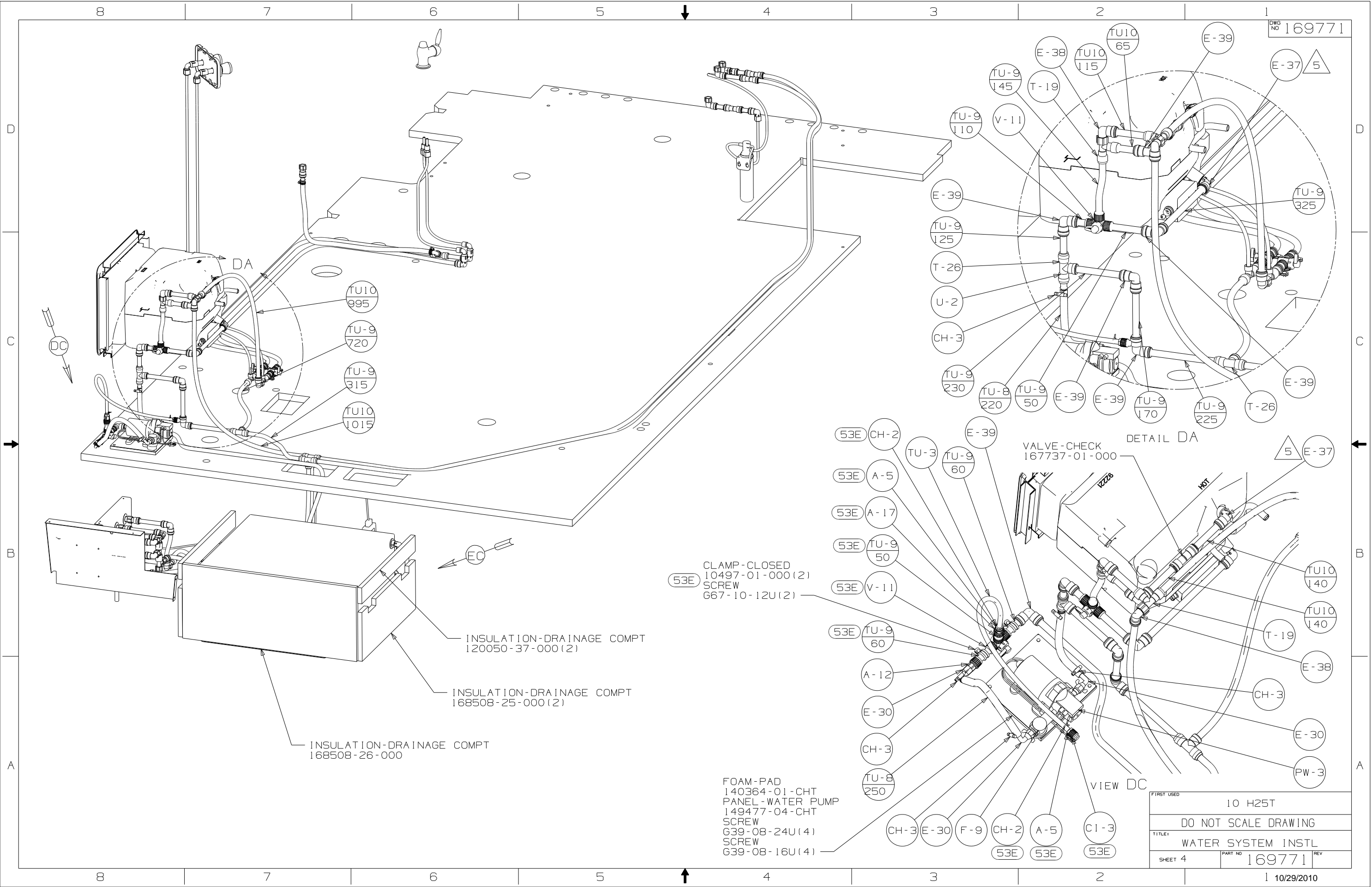


VIEW BA

FIRST USED	10 H25T		
TITLE:	DO NOT SCALE DRAWING		
	WATER SYSTEM INSTL		
SHEET 2	PART NO	169771	REV



FIRST USED	10 H25T	
TITLE:	DO NOT SCALE DRAWING	
	WATER SYSTEM INSTL	
SHEET 3	PART NO	169771
	REV	



- TU10 995
- TU-9 720
- TU-9 315
- TU10 1015

- TU-9 145
- TU10 115
- TU10 65
- E-38
- T-19
- E-39
- E-37 5
- TU-9 110
- V-11
- E-39
- TU-9 125
- T-26
- U-2
- CH-3
- TU-9 230
- TU-8 220
- TU-9 50
- E-39
- E-39
- TU-9 170
- TU-9 225
- T-26
- E-39
- TU10 325

- 53E CH-2
- 53E A-5
- 53E A-17
- 53E TU-9 50
- 53E V-11
- 53E TU-9 60
- 53E TU-9 60
- A-12
- E-30
- CH-3
- TU-8 250
- CH-3
- E-30
- F-9
- CH-2
- A-5
- CI-3
- CH-3
- E-30
- PW-3

CLAMP-CLOSED
10497-01-000 (2)
SCREW
667-10-12U (2)

FOAM-PAD
140364-01-CHT
PANEL-WATER PUMP
149477-04-CHT
SCREW
G39-08-24U (4)
SCREW
G39-08-16U (4)

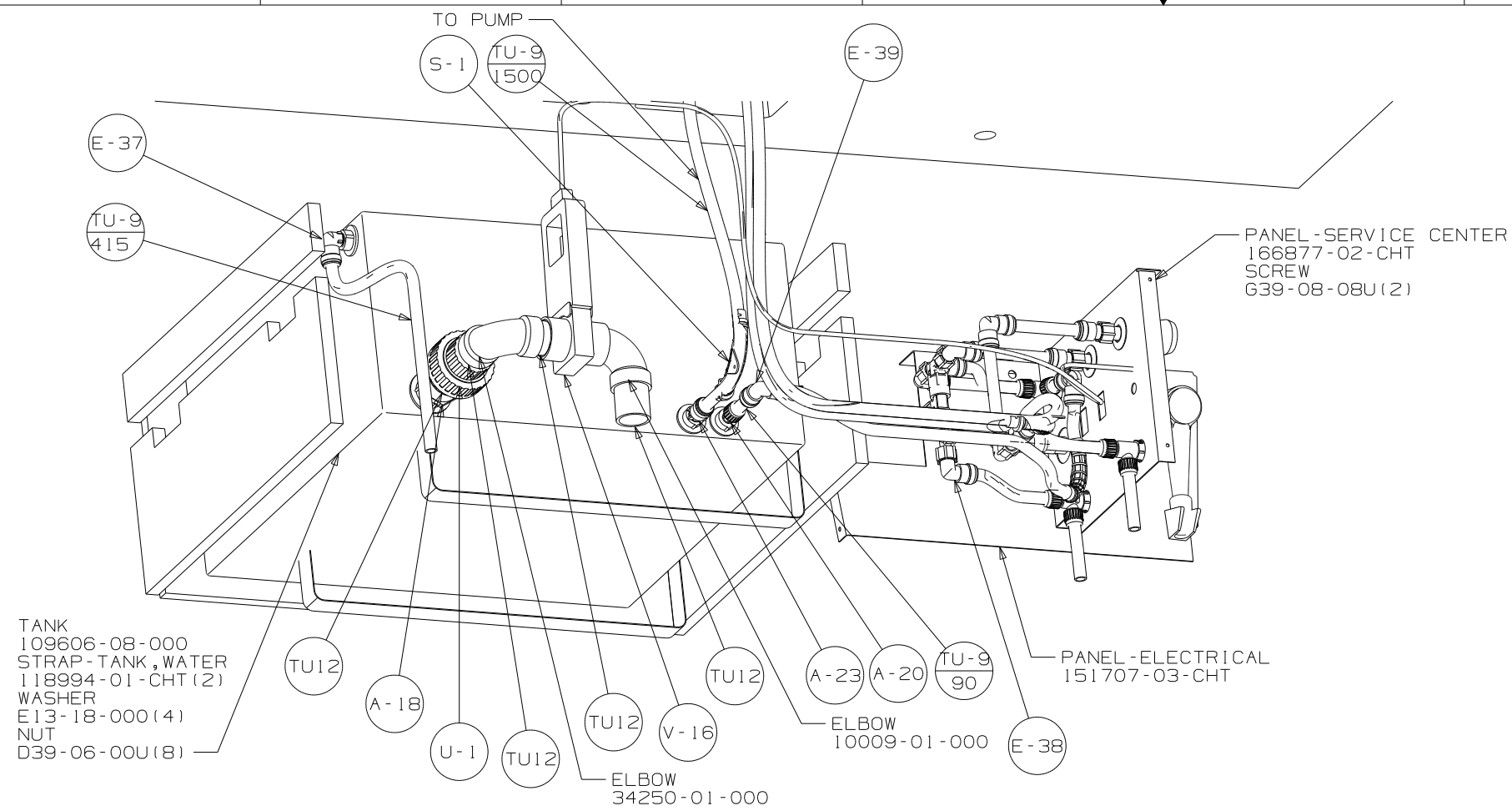
INSULATION-DRAINAGE COMPT
120050-37-000 (2)

INSULATION-DRAINAGE COMPT
168508-25-000 (2)

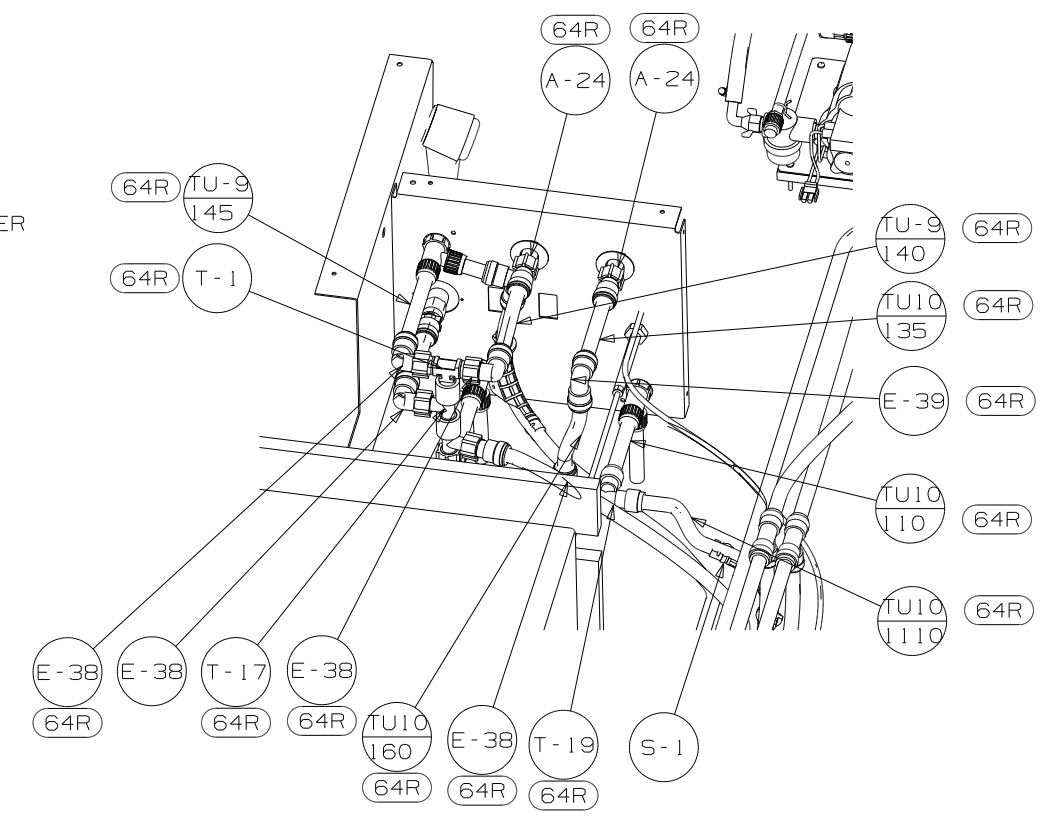
INSULATION-DRAINAGE COMPT
168508-26-000

VALVE-CHECK
167737-01-000

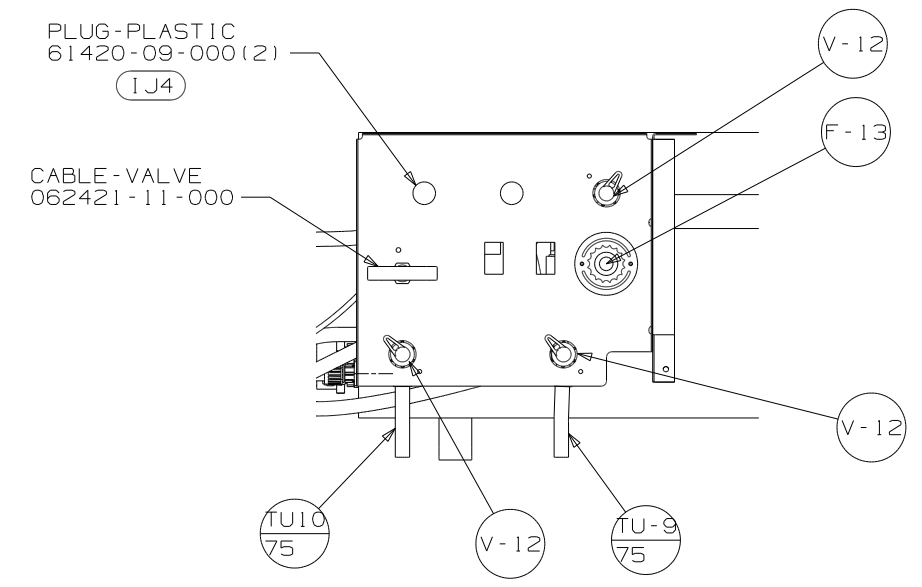
FIRST USED	10 H25T	
TITLE	DO NOT SCALE DRAWING	
TITLE	WATER SYSTEM INSTL	
SHEET 4	PART NO	169771
	REV	



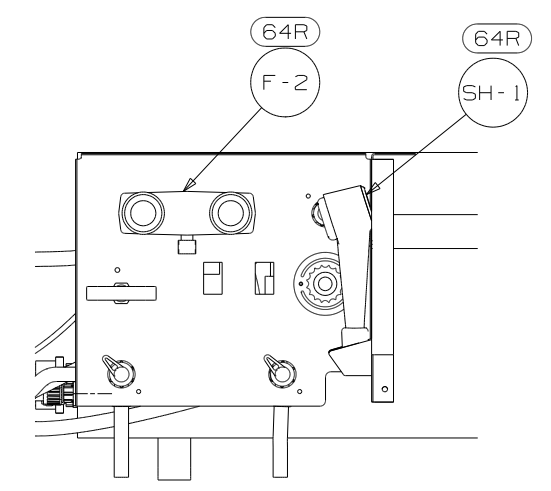
VIEW EC



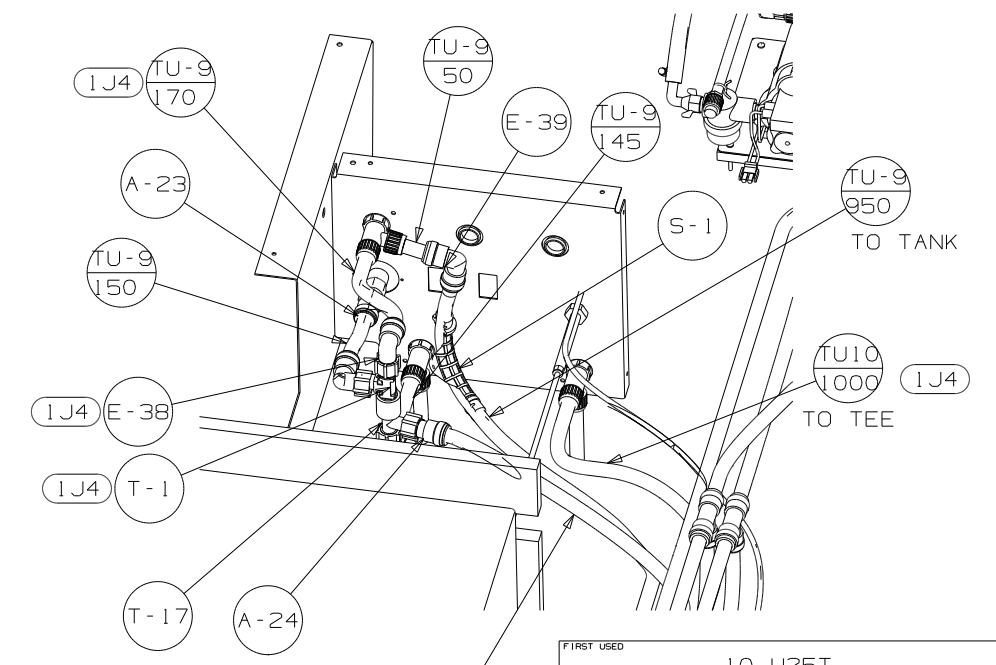
VIEW EB
(EXTERIOR SHOWER SHOWN)



VIEW EA
(EXTERIOR SHOWER WITHOUT SHOWN)



VIEW EA
(EXTERIOR SHOWER SHOWN)



VIEW EB
(EXTERIOR SHOWER WITHOUT SHOWN)

FIRST USED	10 H25T
TITLE:	DO NOT SCALE DRAWING
	WATER SYSTEM INSTL
SHEET 5	PART NO 169771
	REV