

- 10 PREP THE SURFACE PER MANUFACTURERS INSTRUCTIONS, BEFORE APPLYING THE HEATING PAD.
- 9 WATERLESS P-TRAP MUST BE INSTALLED WITH THE RIBS POINTING DOWN
- 8 U-LOCKS TO BE INSTALLED BEFORE THE FRAME ASM IS BOLTED DOWN TO THE CHASSIS AND BEFORE THE SEAL PLANES ARE INSTALLED.
- 7 SECURE VENT PIPE TO FLOOR WITH CLAMP 062401-02-000 (2), SCREW 000G67-10-12B (2), BRACKET 136878-01-CHT (2).
- 6 VENT PIPE MUST PROJECT 51 MIN AND 64 MAX ABOVE ROOF FOR PROPER FIT AND FUNCTION. ADD S-1 (116666-01-CHT SEAL-VENT PIPE) AROUND PIPE ON ROOF BEFORE VENT CAP IS INSTALLED.

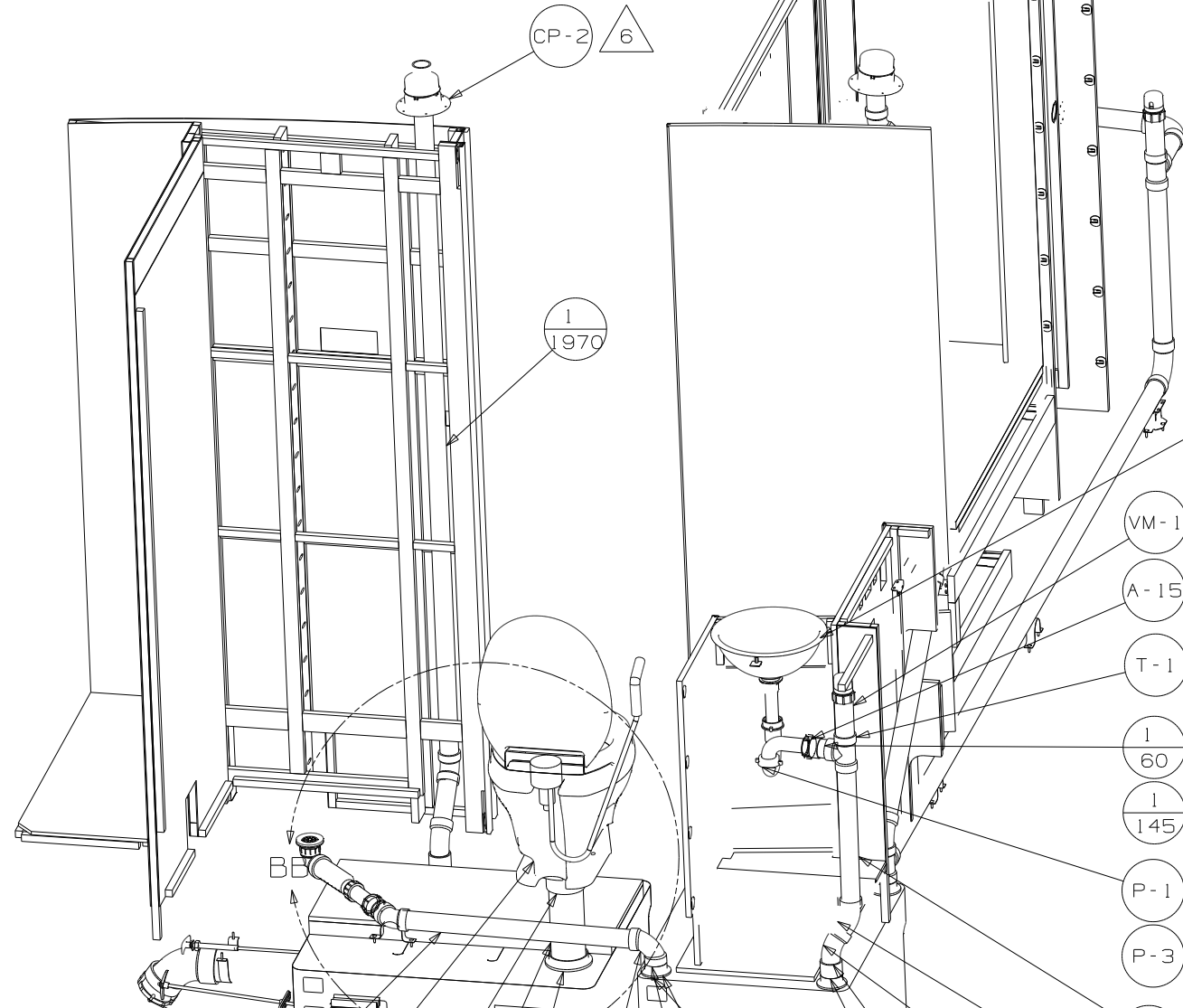
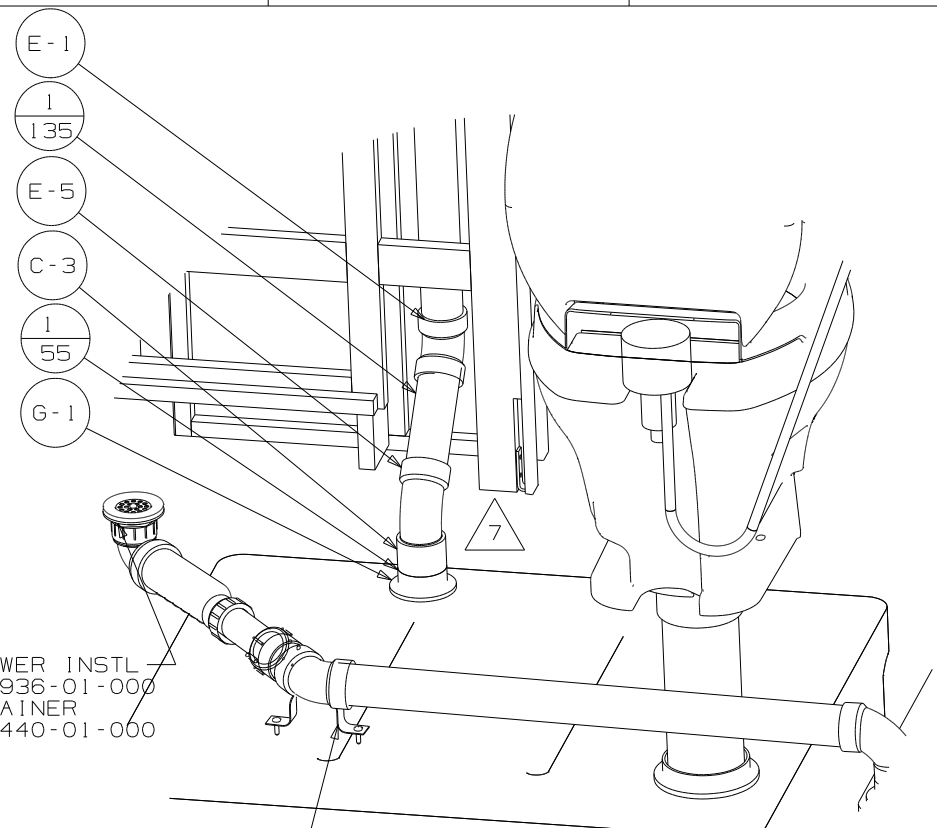
- 5. SEAL AROUND SHOWER WITH SILICONE.
- 4. SECURE DRAINAGE PIPES TO CABINET USING WIRE TIE 108046-02-000, AND SCREW 000G67-10-12B AT INTERVALS OF NOT MORE THAN 4 FEET APART.
- 3. ALL PIPE AND FITTINGS TO BE ASSEMBLED WITH SOLVENT 004020-01-000 (USA), 004020-02-000 (CAN)
- 2. SLOPE OF TRAP ARM MUST BE 6 PER 305 mm.
- 1. SLOPE OF HORIZONTAL PIPING TO BE MINIMUM OF 3 PER 305 mm.

- 1JD DRAINAGE SYSTEM-HEATED-W/O
- 23T DRAINAGE SYSTEM-HEATED
- 464 TOILET
- 265 CODES/STANDARDS-CSA/CMVSS
- 1B1 CODES/STANDARDS USA

WINNEBAGO		COPYRIGHT 2011 WINNEBAGO INDUSTRIES, INC.	
DFTR	ORIG. DATE	ALL DIMENSIONS ARE IN MILLIMETERS	
CHKR		FIRST USED	
P.E.		10 H25R	
M.E.		UNSPECIFIED TOLERANCES ARE:	
DSNR		MATERIAL:	
		WHOLE DIM (X)	: 3
		ONE-PLACE (X.X)	: 1.5
		TWO-PLACE (X.XX)	: 0.50
		ANGLE	: 1°
		THIRD ANGLE PROJECTION	
DO NOT SCALE DRAWING		REFER TO ES0018 FOR FASTENER TIGHTENING GUIDELINES	
TITLE: DRAINAGE SYSTEM INSTL			
SHEET 1 OF 4	PART NO	171864	REV
REF:	1 2/23/2011		

FOR
DRAINAGE
CALLOUTS
SEE DWG NO
116229-01-000

NOTES:



STRAP-CONDUIT, 2"
8406-01-000
SCREW
000667-10-12U(2)

DETAIL BB

TANK-HOLDING
172748-02-000
FOAM
168508-27-000
168508-28-000

TOILET
147421-02-CHT

TANK-HOLDING
173100-02-000
FOAM
120050-28-000

CABLE ASM
062421-11-000

VIEW BC

VIEW BA

HANDLE-EXTENSION
062419-11-000
062419-05-000
062419-06-000
BOLT
000618-08-10B(2)
NUT
000665-08-00B(2)

PIPE-STAND
130234-02-000

TRAP-WATERLESS
165406-01-000

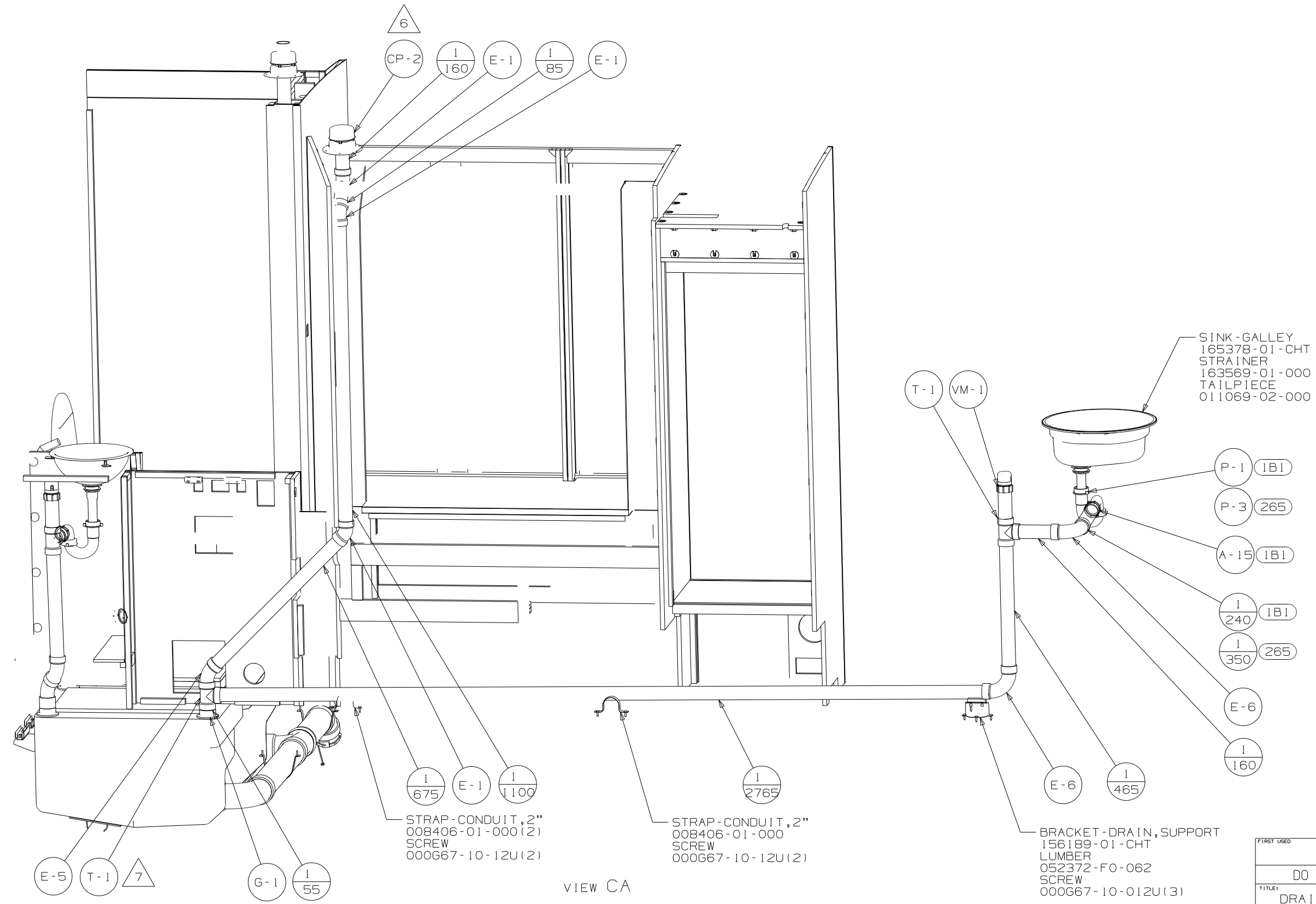
ADAPTER
165406-02-000

FIRST USED
10 H25R

DO NOT SCALE DRAWING

TITLE:
DRAINAGE SYSTEM INSTL

SHEET 2 PART NO 171864 REV



SINK - GALLEY
 165378-01-CHT
 STRAINER
 163569-01-000
 TAILPIECE
 011069-02-000

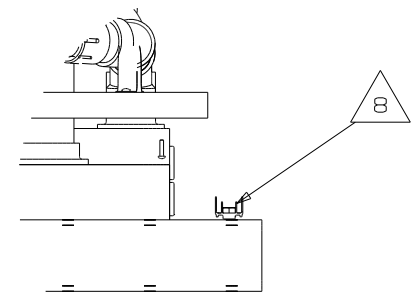
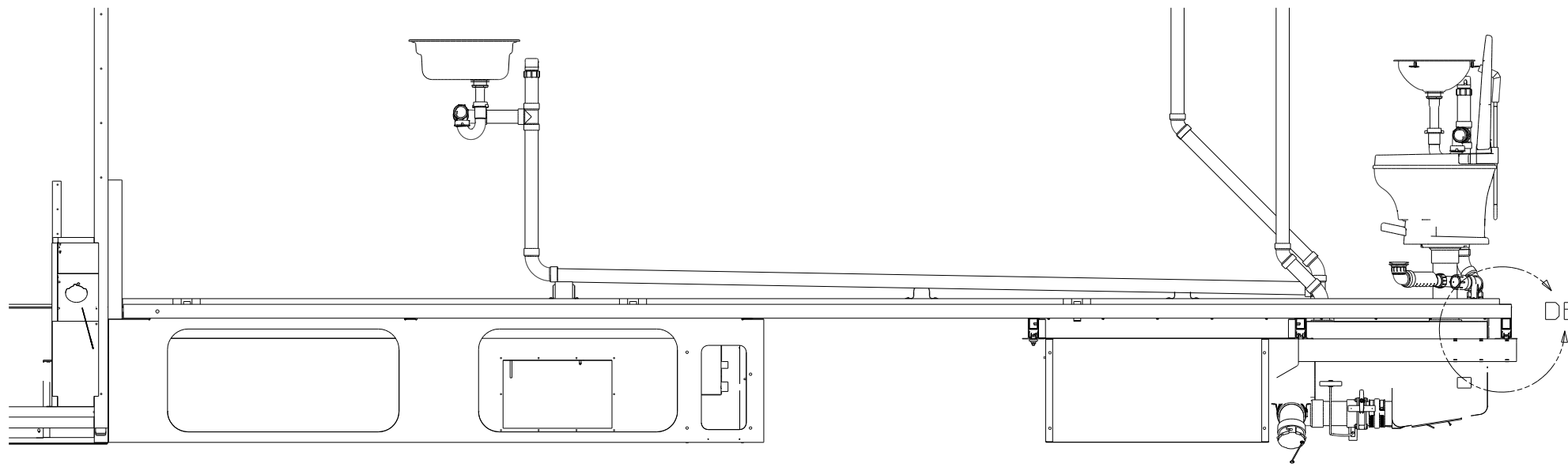
STRAP-CONDUIT, 2"
 008406-01-000 (2)
 SCREW
 000667-10-12U (2)

STRAP-CONDUIT, 2"
 008406-01-000
 SCREW
 000667-10-12U (2)

BRACKET-DRAIN, SUPPORT
 156189-01-CHT
 LUMBER
 052372-F0-062
 SCREW
 000667-10-012U (3)

VIEW CA

FIRST USED	10 H25R
DO NOT SCALE DRAWING	
TITLE:	DRAINAGE SYSTEM INSTL
SHEET 3	PART NO 171864 REV

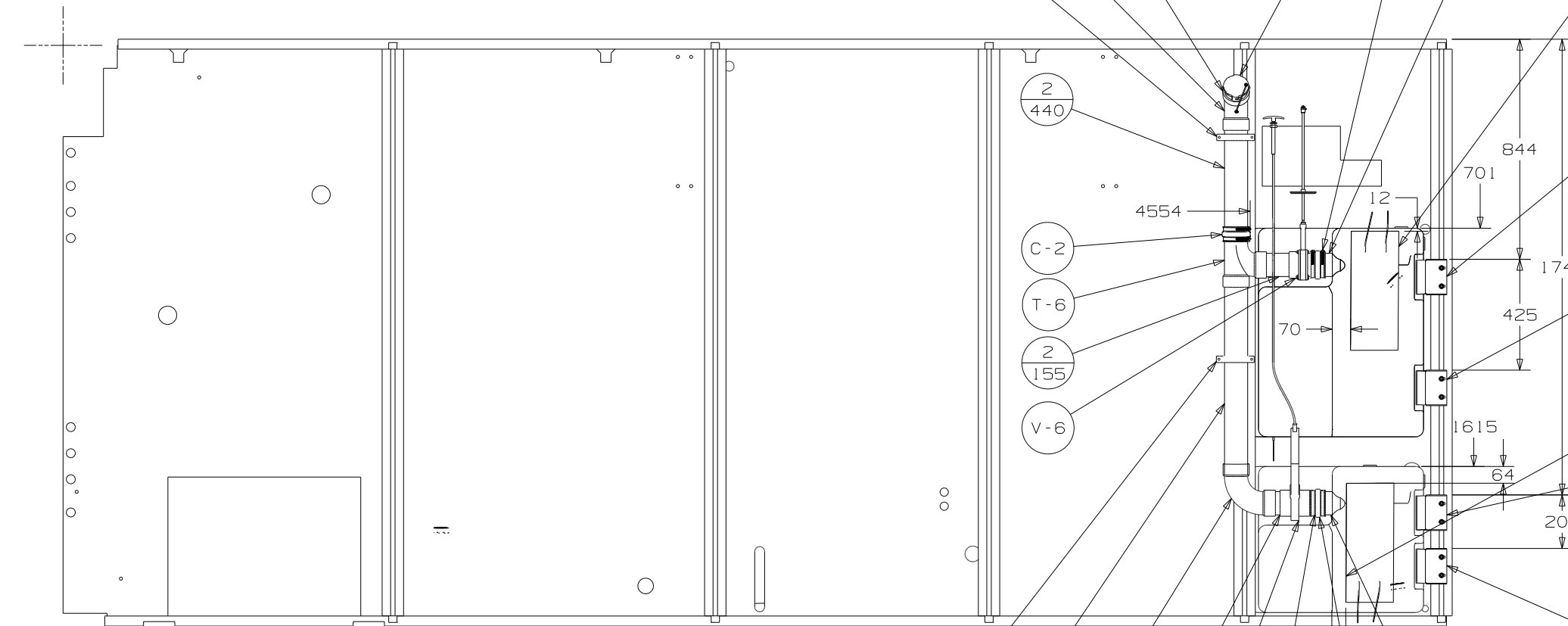


DETAIL DB

VIEW DA

STRAP-W/HOLES
166245-04-CHT
SCREW
000G39-08-12U(2)

PAD-HEATER (23T) (10)
133972-04-000



BRACKET-TANK MOUNT
167936-03-CHT
U-LOCK
151437-12-CHT
BOLT
000C12-06-20U(2)
NUT
000D39-06-00U(2)

BRACKET-TANK MOUNT
167936-05-CHT
U-LOCK
151437-12-CHT
BOLT
000C12-06-20U(2)
NUT
000D39-06-00U(2)

PAD-HEATER
133972-04-000 (23T) (10)

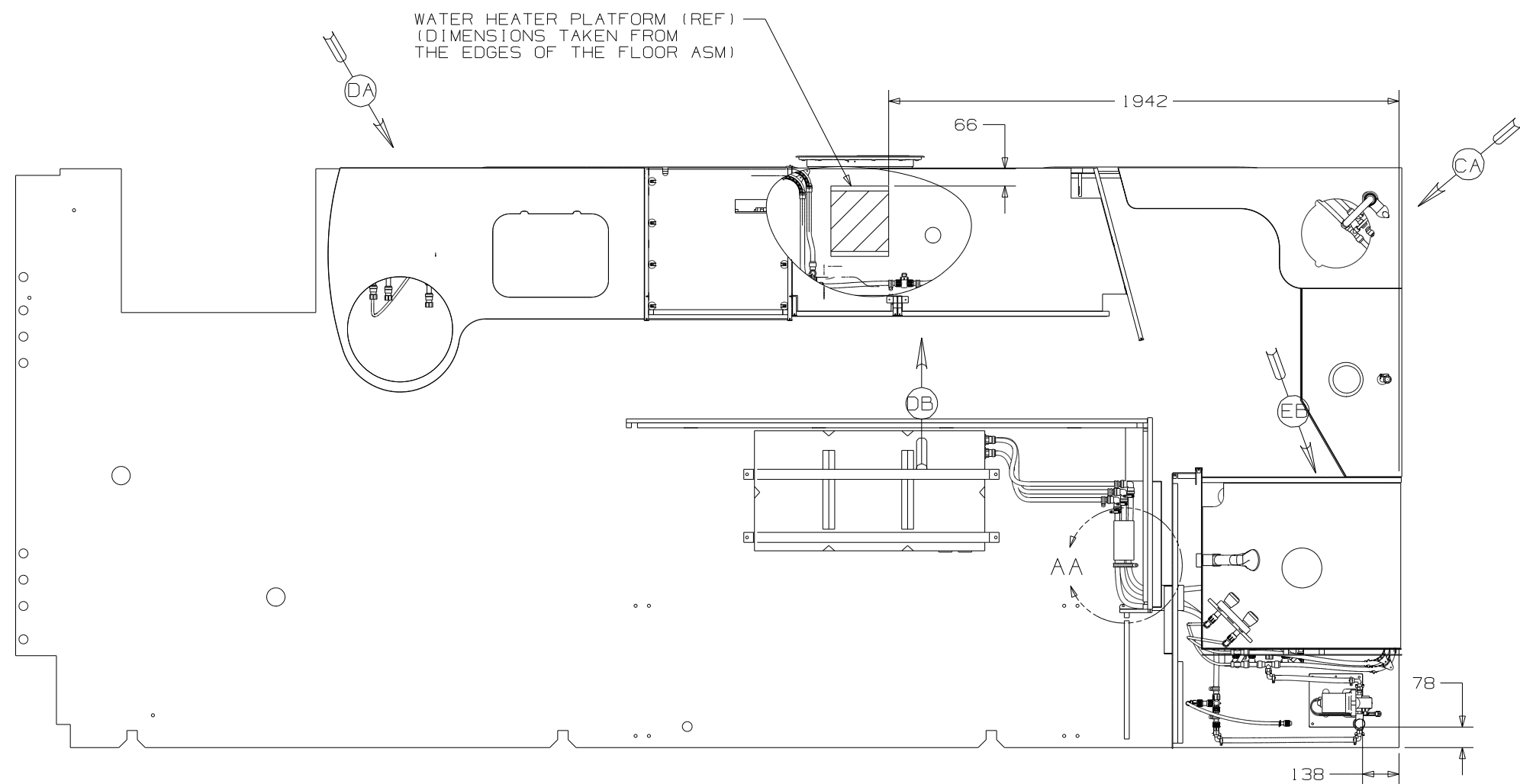
BRACKET-TANK MOUNT
167936-03-CHT
U-LOCK
151437-12-CHT
BOLT
000C12-06-20U(2)
NUT
000D39-06-00U(2)

STRAP-W/HOLES
166245-04-CHT
SCREW
000G39-08-12U(2)

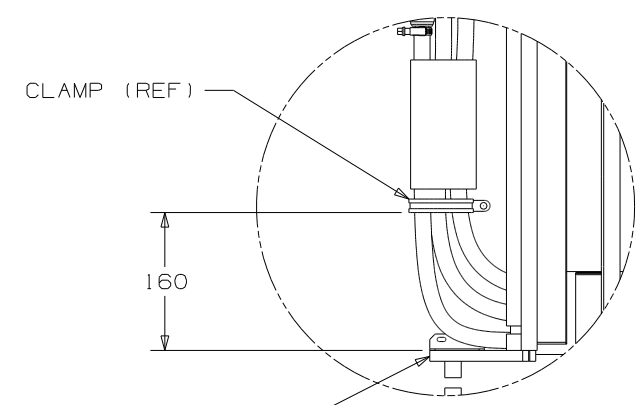
BRACKET-TANK MOUNT
167936-05-CHT
U-LOCK
151437-12-CHT
BOLT
000C12-06-20U(2)
NUT
000D39-06-00U(2)

VALVE
129147-01-000

FIRST USED	10 H25R	
TITLE	DO NOT SCALE DRAWING	
TITLE	DRAINAGE SYSTEM INSTL	
SHEET 4	PART NO	171864
	REV	



- 9 WATER TANK MOUNTING STRAP BOLTS AND NUTS ARE CALLED OUT ON SLIDEOUT ASM DRAWING.
 - 8 ENCASE FLEX WATER LINES IN CONVOLUTED TUBE (178782-00-150)
 - 7 INSTALL CONNECTOR WITH TAPERED END AWAY FROM FAUCET.
 - 6 ADD TEFLON TAPE 010405-03-000.
 - 5 ADD TEFLON TAPE 010405-02-000.
 - 4 ADD TEFLON TAPE 010405-01-000.
 - 3 ALL TUBING TO BE SECURED AT 1200 INTERVALS MAXIMUM WITH CLAMP 010495-01-000 AND SCREW 000G67-10-12B OR EQUIVALENT.
2. TUBING TO BE INSTALLED WITH SUFFICIENT SLOPE TO PROVIDE DRAINAGE TO NEAREST VALVE.
1. PLASTIC FITTINGS TO BE SEALED WITH SEALANT 084456-01-000.



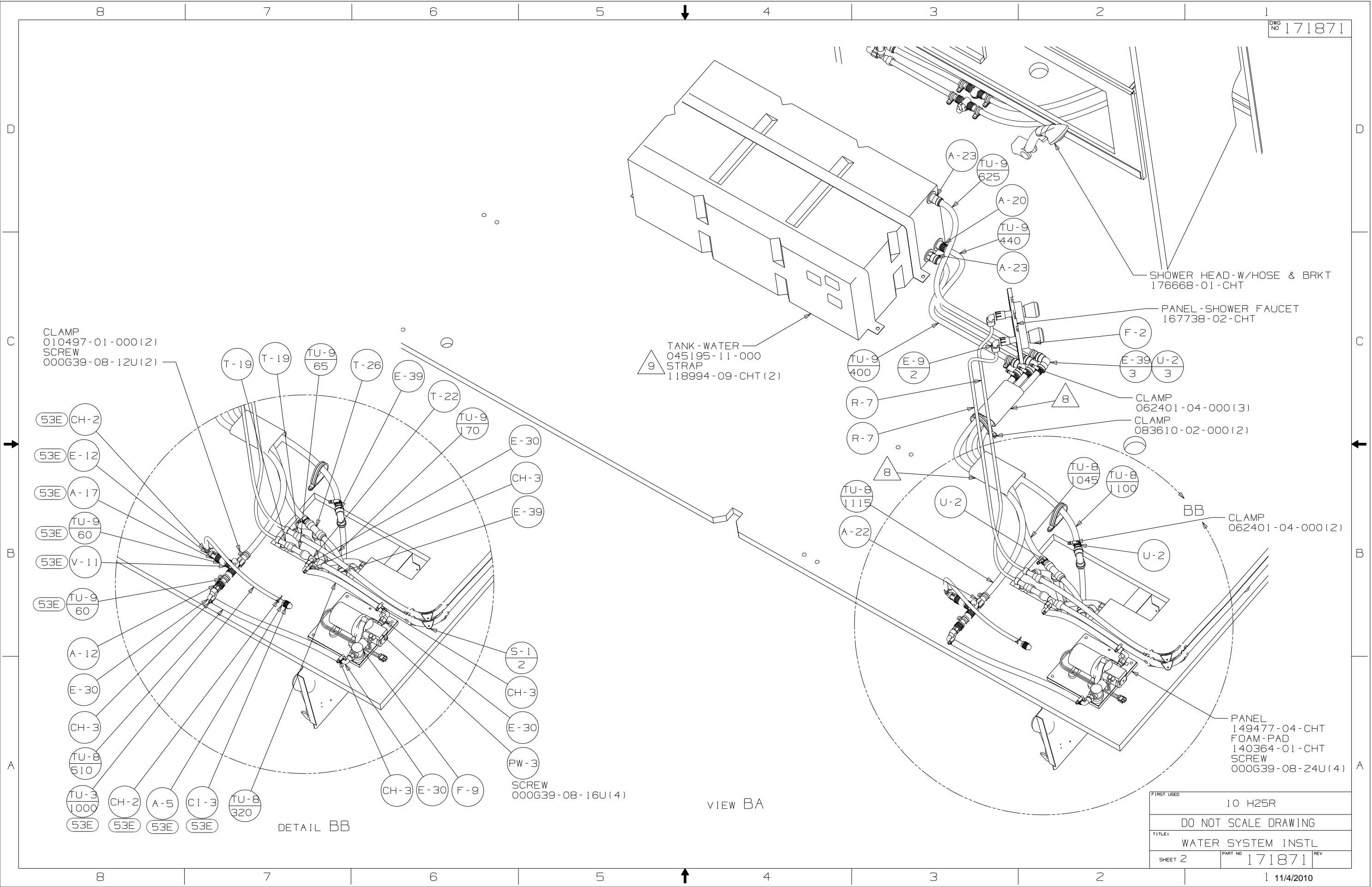
BEDBOARD MOUNTED TO SLIDEOUT WALL (REF) DETAIL AA

- 1J4 EXT WASH STATION - WITHOUT
- 64R EXTERIOR WASH STATION
- 53E WATER SYS WINTERIZATION PKG
- 53B WTR HTR-6GAL ELECTRIC/LP GAS
- 501 WATER PURIFIER WITHOUT
- 29B WATER PURIFIER

WINNEBAGO		COPYRIGHT 2010 WINNEBAGO INDUSTRIES, INC.	
DFTR	ORIG. DATE	ALL DIMENSIONS ARE IN MILLIMETERS	
CHKR		10 H25R	
P.E.		UNSPECIFIED TOLERANCES ARE:	
M.E.	FIRST USED	WHOLE DIM (X)	: 3
DSNR		ONE-PLACE (X.X)	: 1.5
		TWO-PLACE (X.XX)	: 0.50
		ANGLE	: 1°
THIRD ANGLE PROJECTION		MATERIAL:	
DO NOT SCALE DRAWING		REFER TO ES0018 FOR FASTENER TIGHTENING GUIDELINES	
TITLE: WATER SYSTEM INSTL			
SHEET 1 OF 5	PART NO	171871	REV
REF:	11/4/2010		

NOTES:

X-X
FOR WATER CALLOUTS SEE DWG NO 116230-01-000



8

7

6

5

4

3

2

1

D

D

C

C

B

B

A

A

FAUCET-LAVATORY
171481-01-CHT
WASHER
E13-13-00B(2) 8

A-24

CH-4

U-2

TU10
2220

TU-9
2020

TU10
2000

TU-9
1950

TU-8
900

CH-4

E-40

T-26

TU-9
40

T-22

T-22

R-2
2

C-7
2

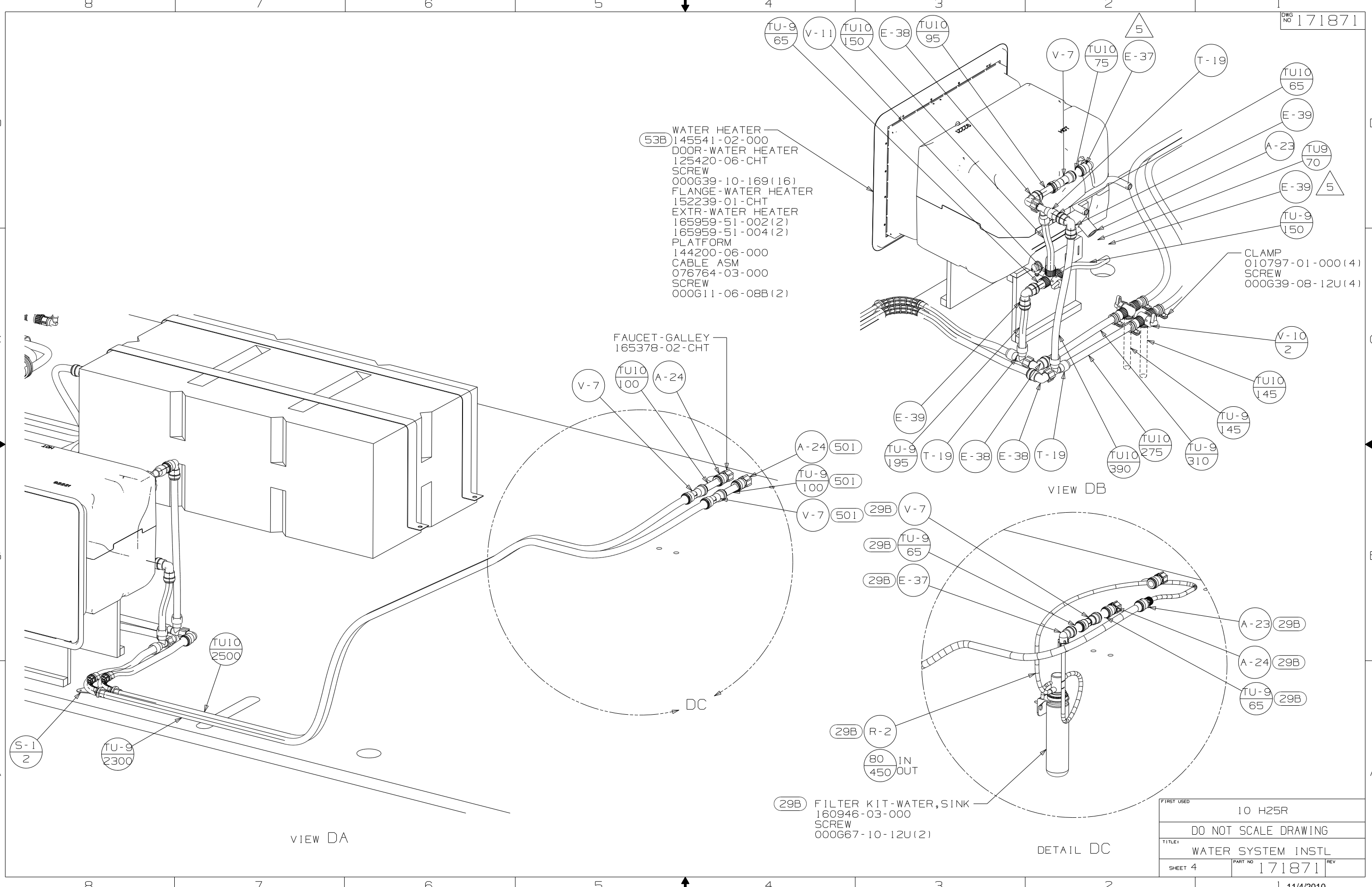
4

7

VIEW CA

INSTALL BETWEEN MOUNTING PLATE
8 AND RETAINING NUTS.

FIRST USED	10 H25R		
TITLE	DO NOT SCALE DRAWING		
TITLE	WATER SYSTEM INSTL		
SHEET 3	PART NO	171871	REV



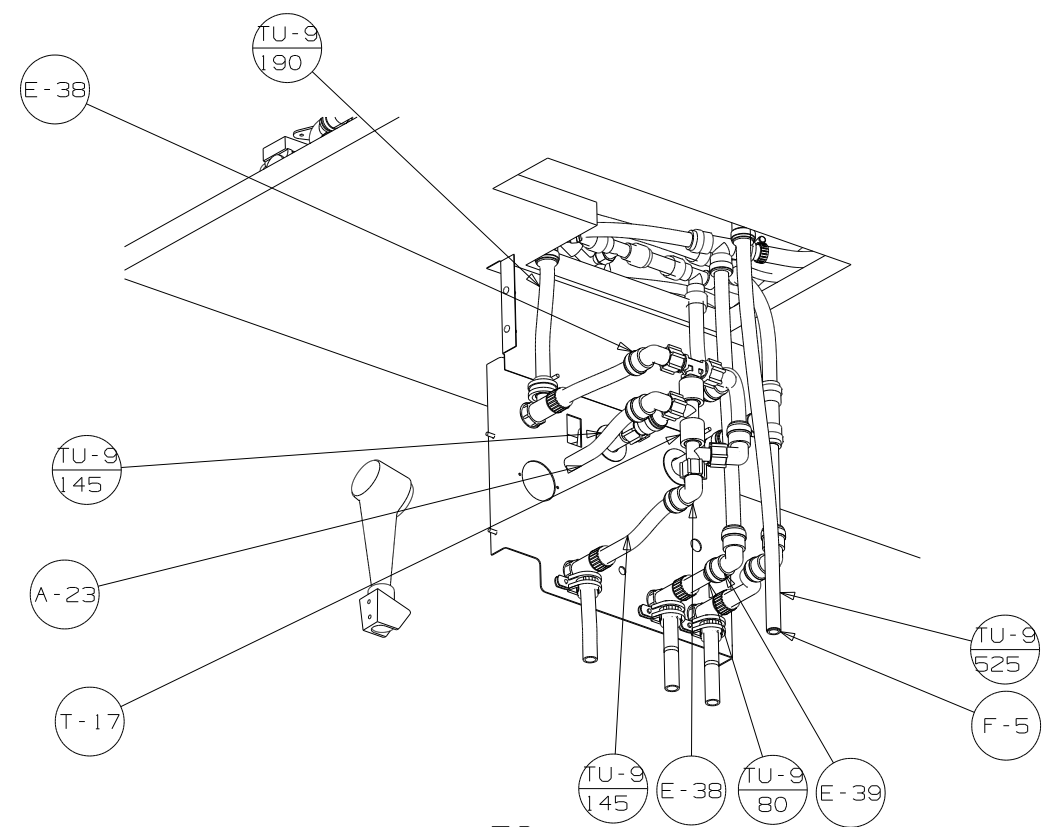
- (53B) WATER HEATER
145541-02-000
- DOOR-WATER HEATER
125420-06-CHT
- SCREW
000G39-10-169(16)
- FLANGE-WATER HEATER
152239-01-CHT
- EXTR-WATER HEATER
165959-51-002(2)
- 165959-51-004(2)
- PLATFORM
144200-06-000
- CABLE ASM
076764-03-000
- SCREW
000G11-06-08B(2)

- FAUCET-GALLEY
165378-02-CHT

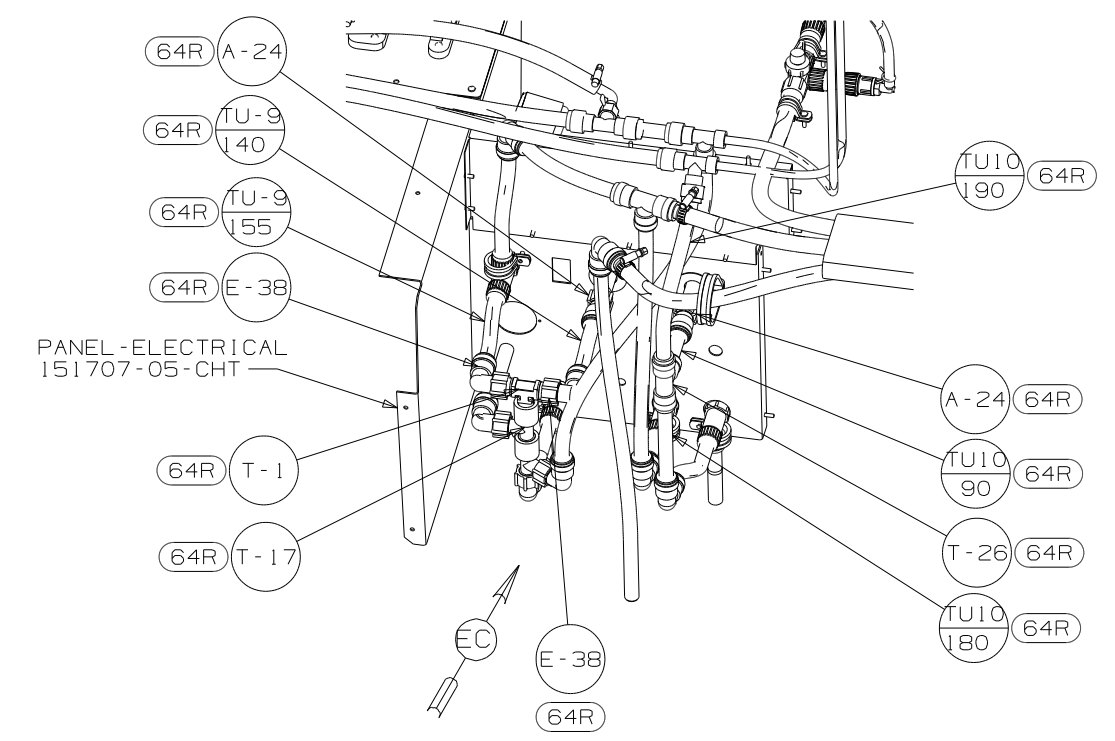
- (29B) FILTER KIT-WATER,SINK
160946-03-000
- SCREW
000G67-10-12U(2)

- CLAMP
010797-01-000(4)
- SCREW
000G39-08-12U(4)

FIRST USED	10 H25R
TITLE	DO NOT SCALE DRAWING
TITLE	WATER SYSTEM INSTL
SHEET 4	PART NO 171871 REV

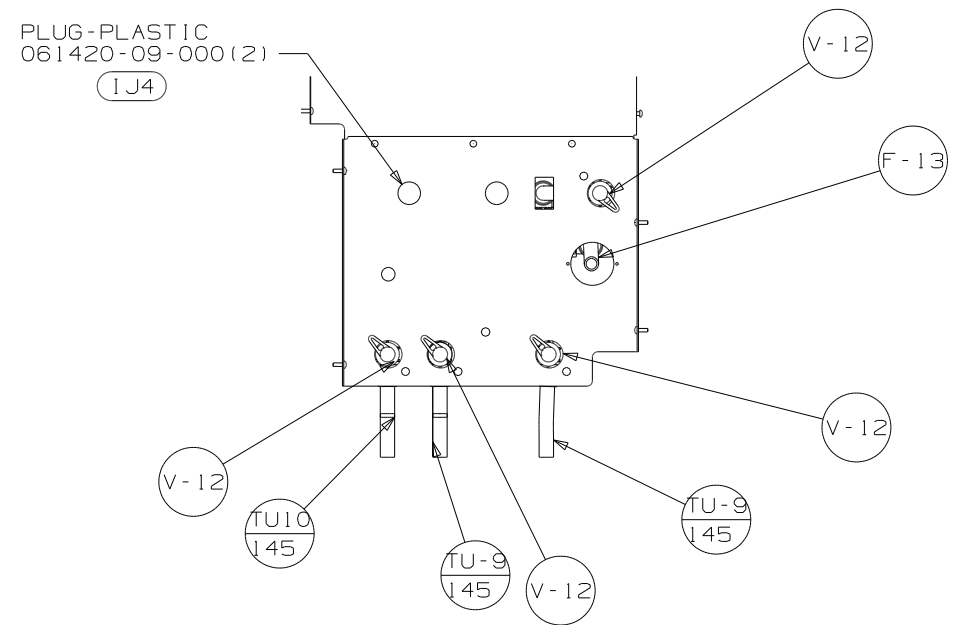


VIEW EC
(EXTERIOR SHOWER SHOWN)

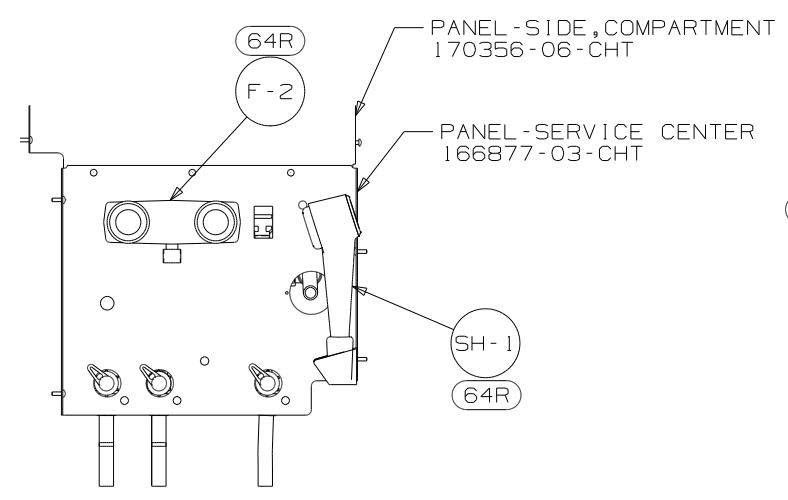


PANEL-ELECTRICAL
151707-05-CHT

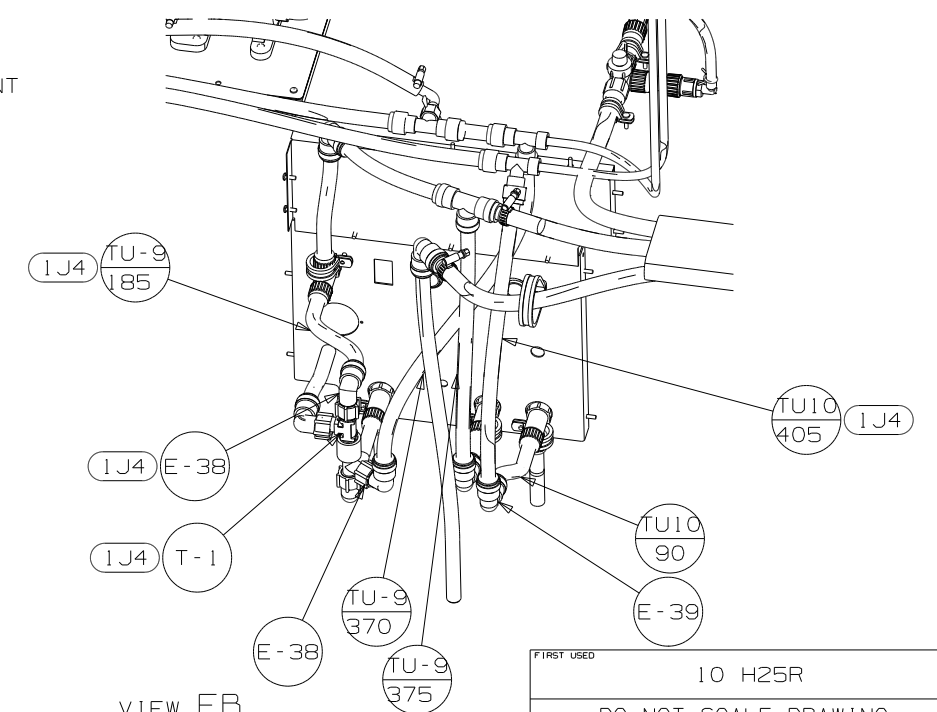
VIEW EB
(EXTERIOR SHOWER SHOWN)



VIEW EA
(EXTERIOR SHOWER WITHOUT SHOWN)



VIEW EA
(EXTERIOR SHOWER SHOWN)



VIEW EB
(EXTERIOR SHOWER WITHOUT SHOWN)

FIRST USED	10 H25R	
TITLE:	DO NOT SCALE DRAWING	
TITLE:	WATER SYSTEM INSTL	
SHEET 5	PART NO	171871
1 11/4/2010		