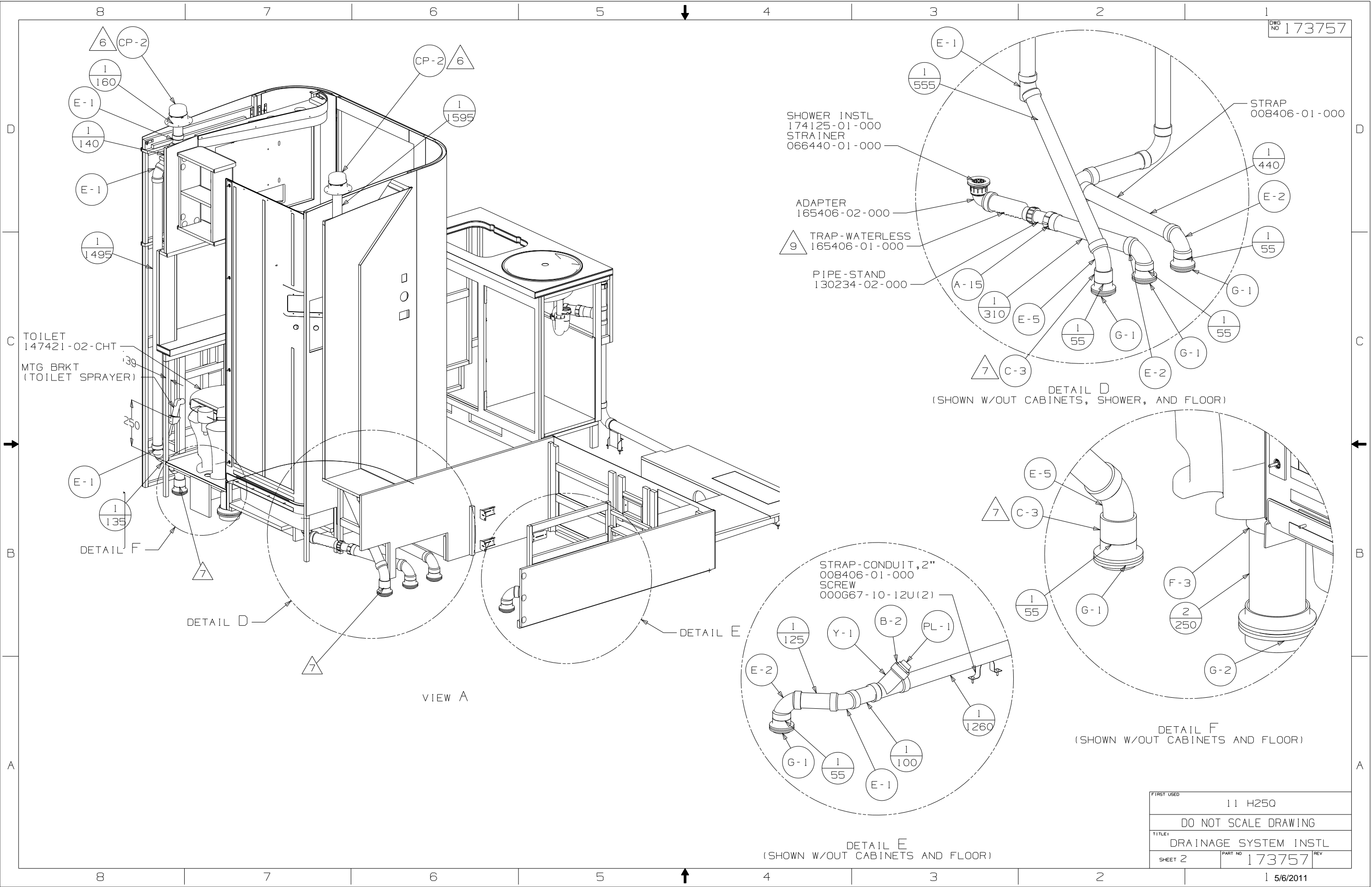


- NOTES:
10. PREP THE SURFACE PER MANUFACTURERS INSTRUCTIONS BEFORE APPLYING THE HEATING PAD.
  9. WATERLESS P-TRAP MUST BE INSTALLED WITH THE RIBS POINTING DOWN
  8. U-LOCKS TO BE INSTALLED BEFORE THE FRAME ASM IS BOLTED DOWN TO THE CHASSIS AND BEFORE THE SEAL PLANES ARE INSTALLED.
  7. SECURE VENT PIPE TO FLOOR WITH CLAMP 062401-02-000 (2), SCREW 000667-10-12B (2), BRACKET 136878-01-CHT (2).
  6. VENT PIPE MUST PROJECT 51 MIN AND 64 MAX ABOVE ROOF FOR PROPER FIT AND FUNCTION. ADD S-1 (116666-01-CHT SEAL-VENT PIPE) AROUND PIPE ON ROOF BEFORE VENT CAP IS INSTALLED.
  5. SEAL AROUND SHOWER WITH SILICONE.
  4. SECURE DRAINAGE PIPES TO CABINET USING WIRE TIE 108046-02-000, AND SCREW 000667-10-12B AT INTERVALS OF NOT MORE THAN 4 FEET APART.
  3. ALL PIPE AND FITTINGS TO BE ASSEMBLED WITH SOLVENT 004020-01-000 (USA), 004020-02-000 (CAN)
  2. SLOPE OF TRAP ARM MUST BE 6 PER 305 mm.
  1. SLOPE OF HORIZONTAL PIPING TO BE MINIMUM OF 3 PER 305 mm.

- (1JD) DRAINAGE SYSTEM-HEATED-W/O
- (23T) DRAINAGE SYSTEM-HEATED
- (464) TOILET
- (265) CODES/STANDARDS-CSA/CMVSS
- (1B1) CODES/STANDARDS USA

<b>WINNEBAGO</b>		COPYRIGHT 2011 WINNEBAGO INDUSTRIES, INC.	
DFTR	ORIG. DATE	ALL DIMENSIONS ARE IN MILLIMETERS	
CHKR		FIRST USED	
P.E.		11 H250	
M.E.		UNSPECIFIED TOLERANCES ARE:	
DSNR		MATERIAL:	
		WHOLE DIM (X)	: 3
		ONE-PLACE (X.X)	: 1.5
		TWO-PLACE (X.XX)	: 0.50
		ANGLE	: 1°
		THIRD ANGLE PROJECTION	
DO NOT SCALE DRAWING		REFER TO ES0018 FOR FASTENER TIGHTENING GUIDELINES	
TITLE: DRAINAGE SYSTEM INSTL			
SHEET 1 OF 4	PART NO 173757	REV	
REF:	1 5/6/2011		

FOR  
DRAINAGE  
CALLOUTS  
SEE DWG NO  
116229-01-000



TOILET  
147421-02-CHT  
MTG BRKT  
(TOILET SPRAYER)

SHOWER INSTL  
174125-01-000  
STRAINER  
066440-01-000

ADAPTER  
165406-02-000

TRAP-WATERLESS  
165406-01-000

PIPE-STAND  
130234-02-000

STRAP-CONDUIT, 2"  
008406-01-000  
SCREW  
000667-10-12U(2)

STRAP  
008406-01-000

DETAIL D

DETAIL D  
(SHOWN W/OUT CABINETS, SHOWER, AND FLOOR)

DETAIL E

DETAIL E  
(SHOWN W/OUT CABINETS AND FLOOR)

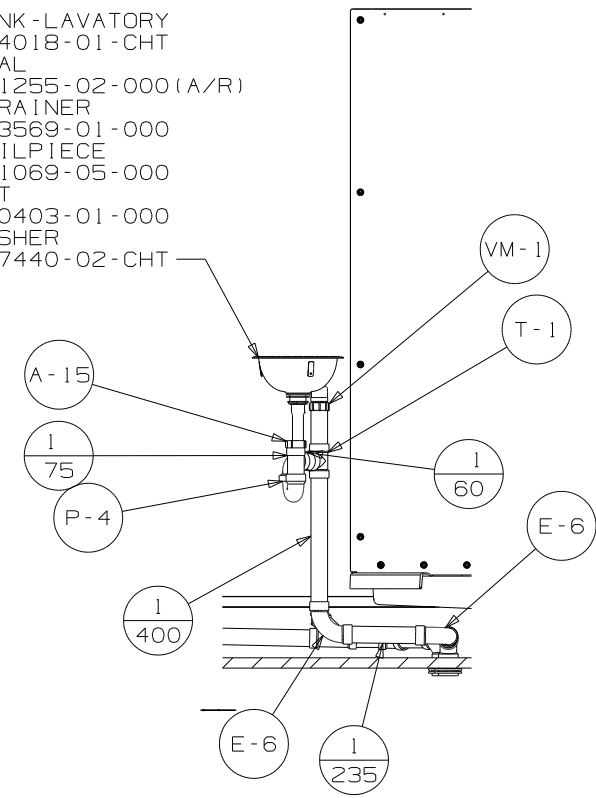
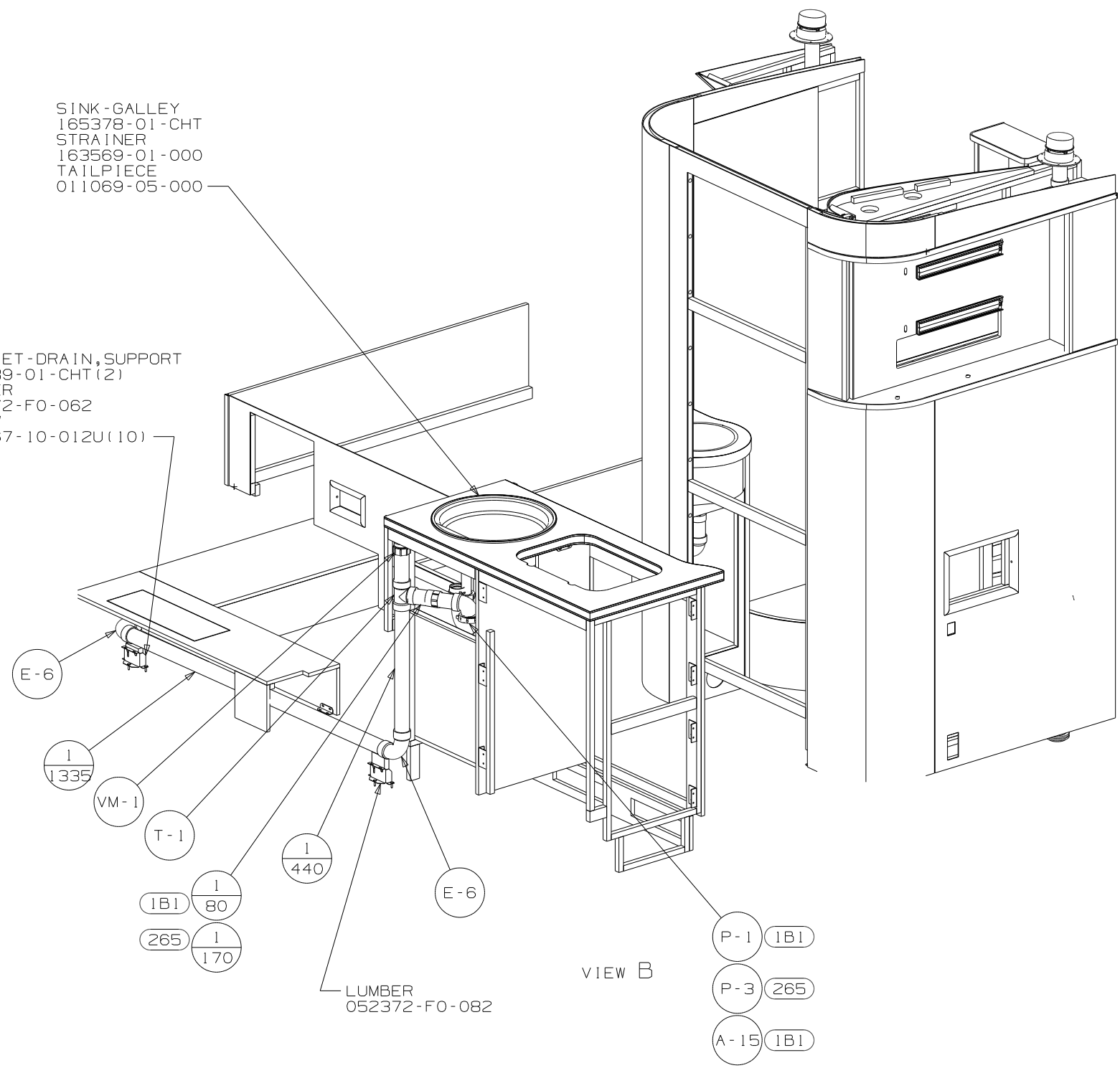
DETAIL F  
(SHOWN W/OUT CABINETS AND FLOOR)

FIRST USED	11 H250
DO NOT SCALE DRAWING	
TITLE	DRAINAGE SYSTEM INSTL
SHEET 2	PART NO 173757 REV

SINK - GALLEY  
 165378-01-CHT  
 STRAINER  
 163569-01-000  
 TAILPIECE  
 011069-05-000

BRACKET - DRAIN, SUPPORT  
 156189-01-CHT (2)  
 LUMBER  
 052372-F0-062  
 SCREW  
 000667-10-012U (10)

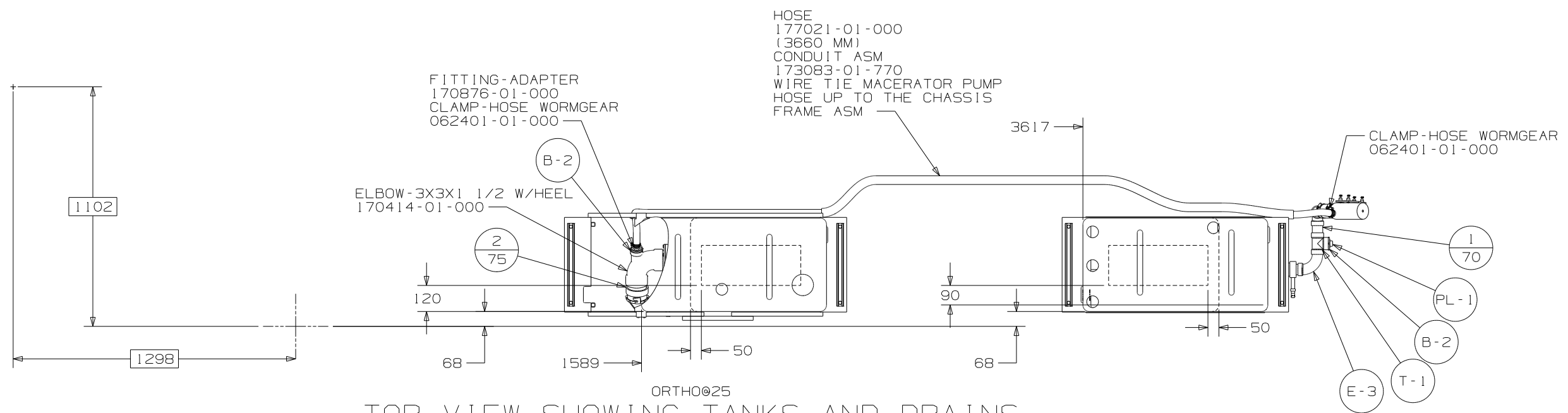
SINK - LAVATORY  
 174018-01-CHT  
 SEAL  
 091255-02-000 (A/R)  
 STRAINER  
 163569-01-000  
 TAILPIECE  
 011069-05-000  
 NUT  
 130403-01-000  
 WASHER  
 127440-02-CHT



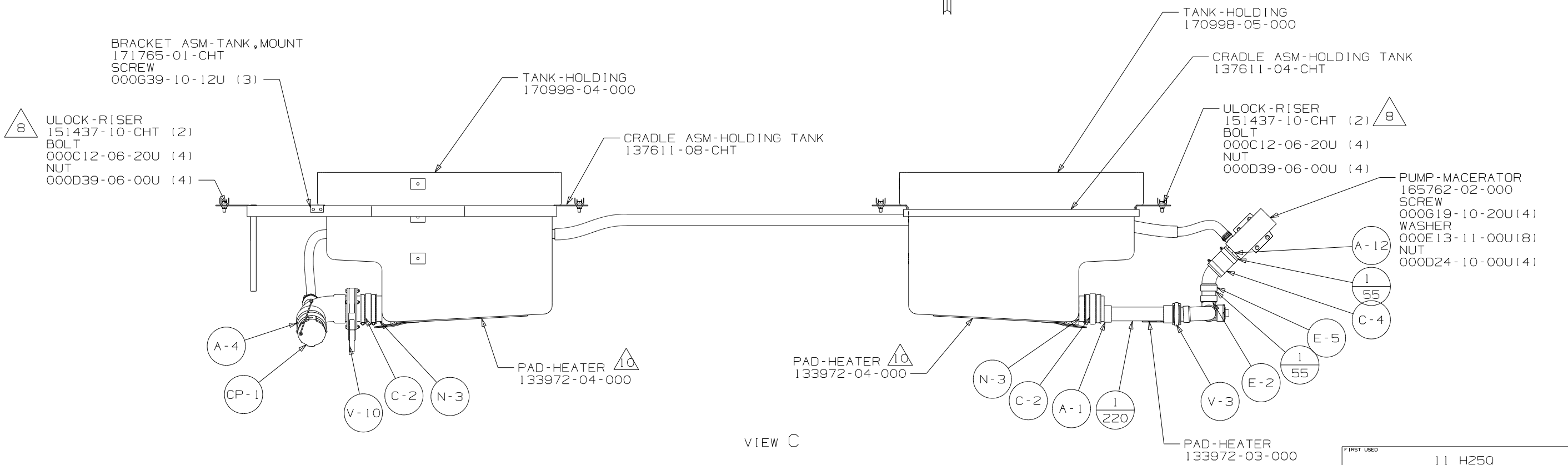
SECTION G-G  
 (ROTATED)  
 (SHOWN W/OUT CABINETS)

VIEW B

FIRST USED	11 H250	
TITLE	DO NOT SCALE DRAWING	
	DRAINAGE SYSTEM INSTL	
SHEET 3	PART NO 173757	REV

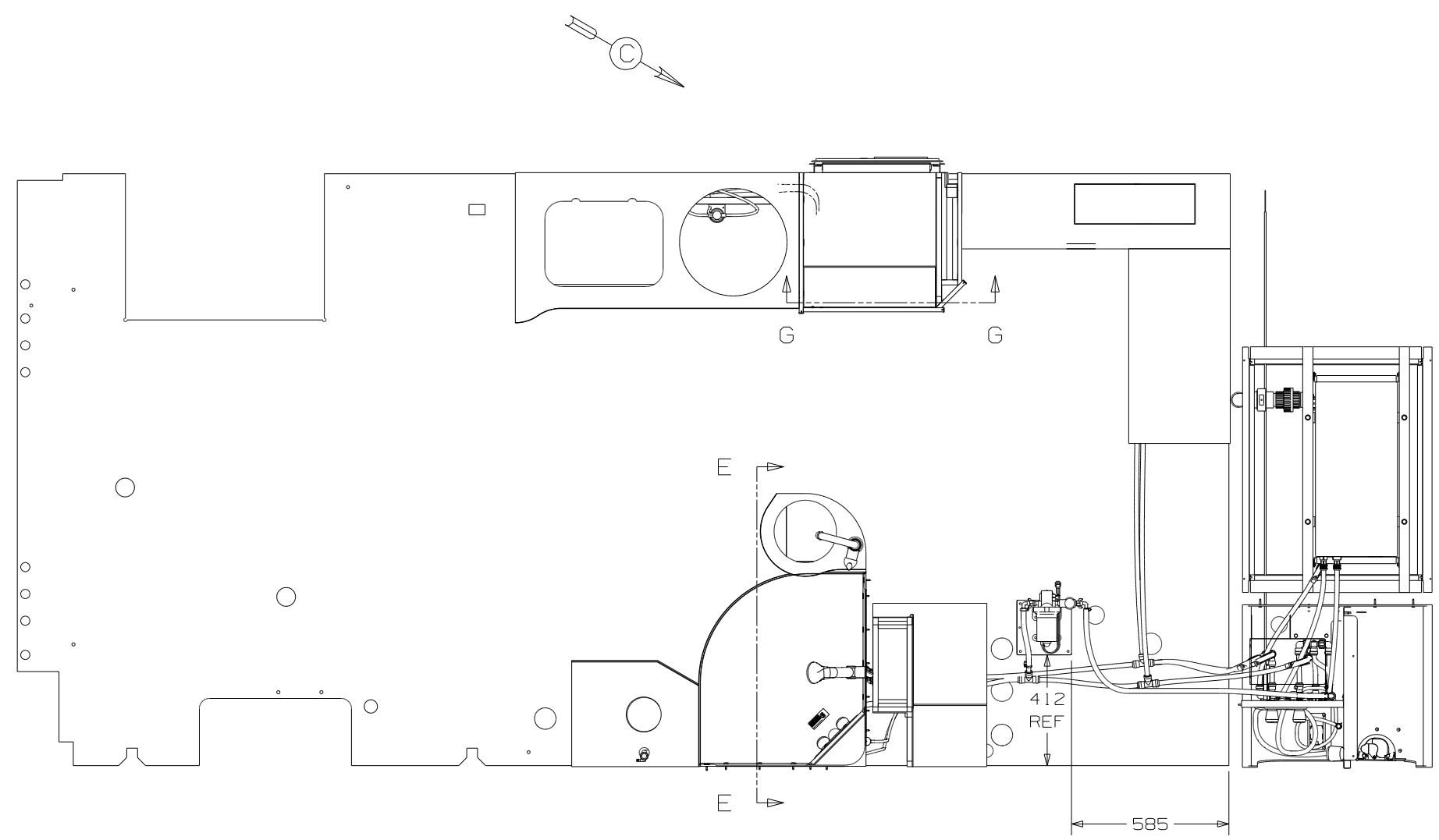


TOP VIEW SHOWING TANKS AND DRAINS



VIEW C

FIRST USED	11 H250	
TITLE	DO NOT SCALE DRAWING	
TITLE	DRAINAGE SYSTEM INSTL	
SHEET 4	PART NO	173757
	REV	



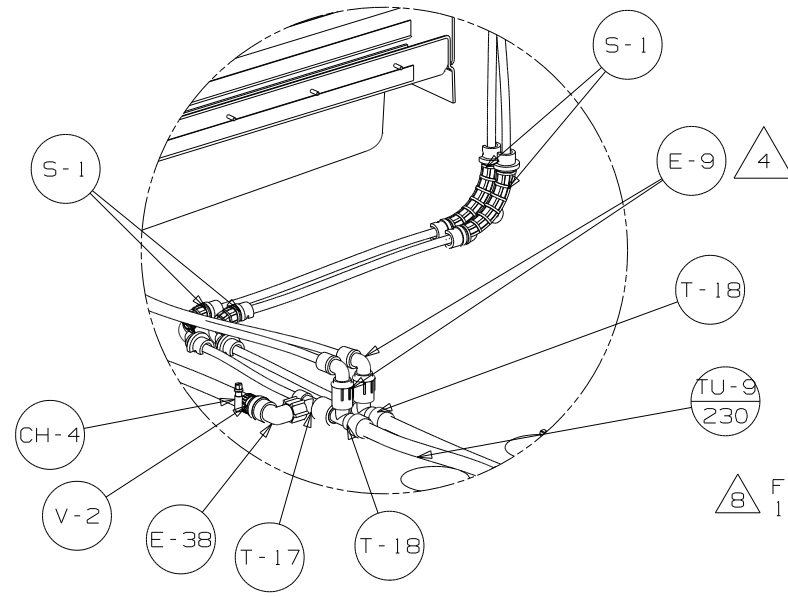
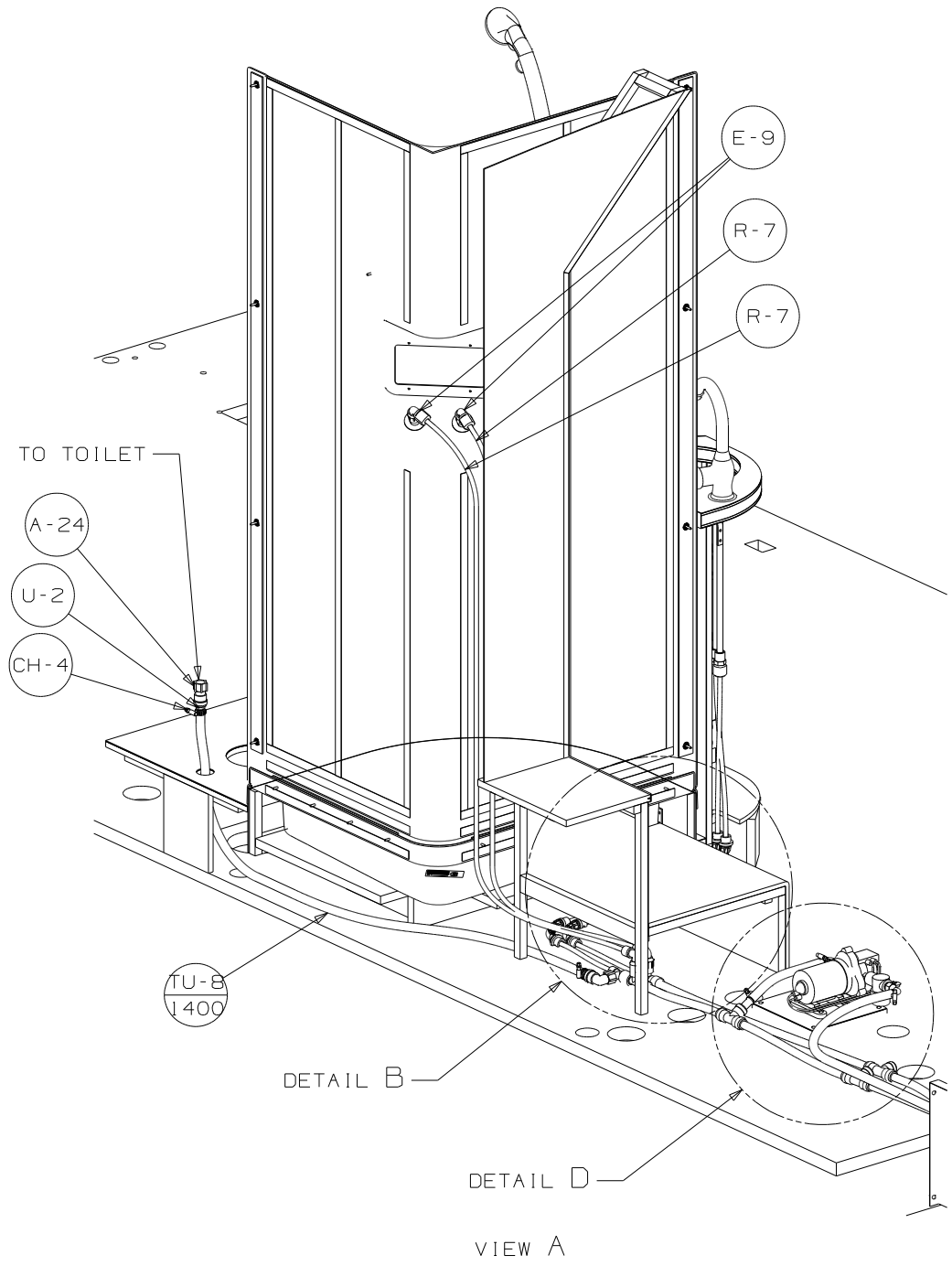
- 9 INSTALL BETWEEN MOUNTING PLATE AND RETAINING NUTS.
  - 8 LAVATORY FAUCET SPOUT TO BE TURNED 180 DEGREES SO THE ON/OFF HANDLE IS FACING TOWARD THE SHOWER.
  - 7 INSTALL CONNECTOR WITH TAPERED END AWAY FROM FAUCET.
  - 6 ADD TEFLON TAPE 010405-03-000.
  - 5 ADD TEFLON TAPE 010405-02-000.
  - 4 ADD TEFLON TAPE 010405-01-000.
  - 3 ALL TUBING TO BE SECURED AT 1200 INTERVALS MAXIMUM WITH CLAMP 010495-01-000 AND SCREW 000667-10-12B OR EQUIVALENT.
2. TUBING TO BE INSTALLED WITH SUFFICIENT SLOPE TO PROVIDE DRAINAGE TO NEAREST VALVE.
1. PLASTIC FITTINGS TO BE SEALED WITH SEALANT 084456-01-000.

NOTES:

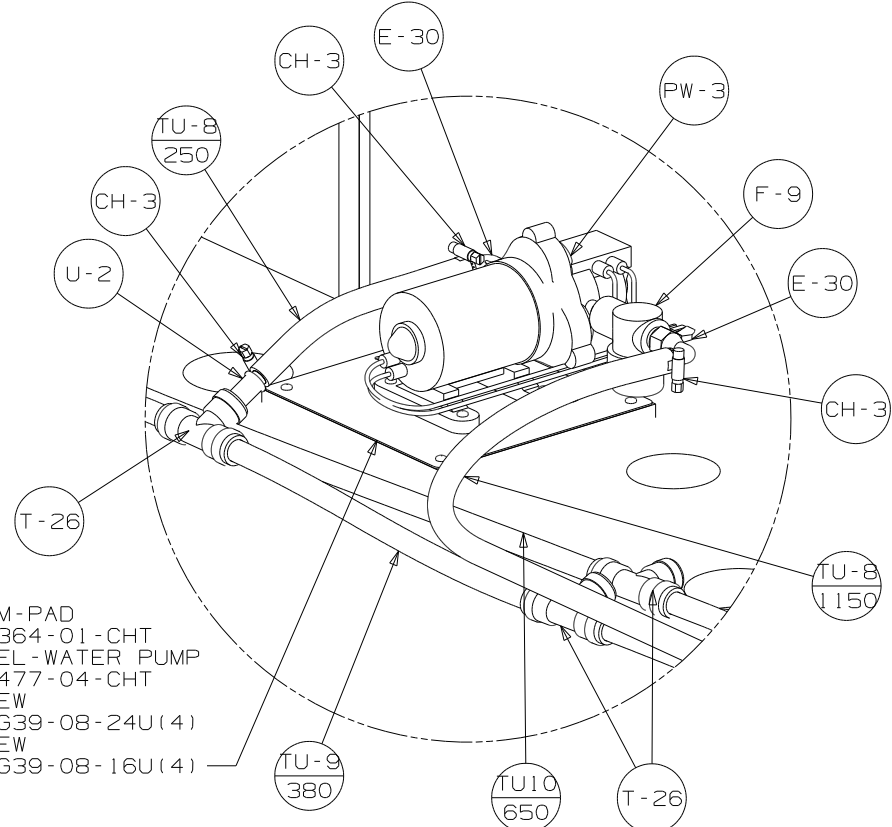
- 1J4 EXT WASH STATION - WITHOUT
- 501 WATER PURIFIER WITHOUT
- 29B WATER PURIFIER
- 64R EXTERIOR WASH STATION

<b>WINNEBAGO</b>		COPYRIGHT 2011 WINNEBAGO INDUSTRIES, INC.	
DFTR	ORIG. DATE	ALL DIMENSIONS ARE IN MILLIMETERS	
CHKR		FIRST USED	
P.E.		11 H250	
M.E.		UNSPECIFIED TOLERANCES ARE:	
DSNR		MATERIAL:	
		WHOLE DIM (X)	: 3
		ONE-PLACE (X.X)	: 1.5
		TWO-PLACE (X.XX)	: 0.50
		ANGLE	: 1°
		THIRD ANGLE PROJECTION	
DO NOT SCALE DRAWING		REFER TO ES0018 FOR FASTENER TIGHTENING GUIDELINES	
TITLE: WATER SYSTEM INSTL			
SHEET 1 OF 5	PART NO 173765	REV	
		DATE 1 1/4/2011	

X-X  
FOR  
WATER  
CALLOUTS  
SEE DWG NO  
116230-01-000



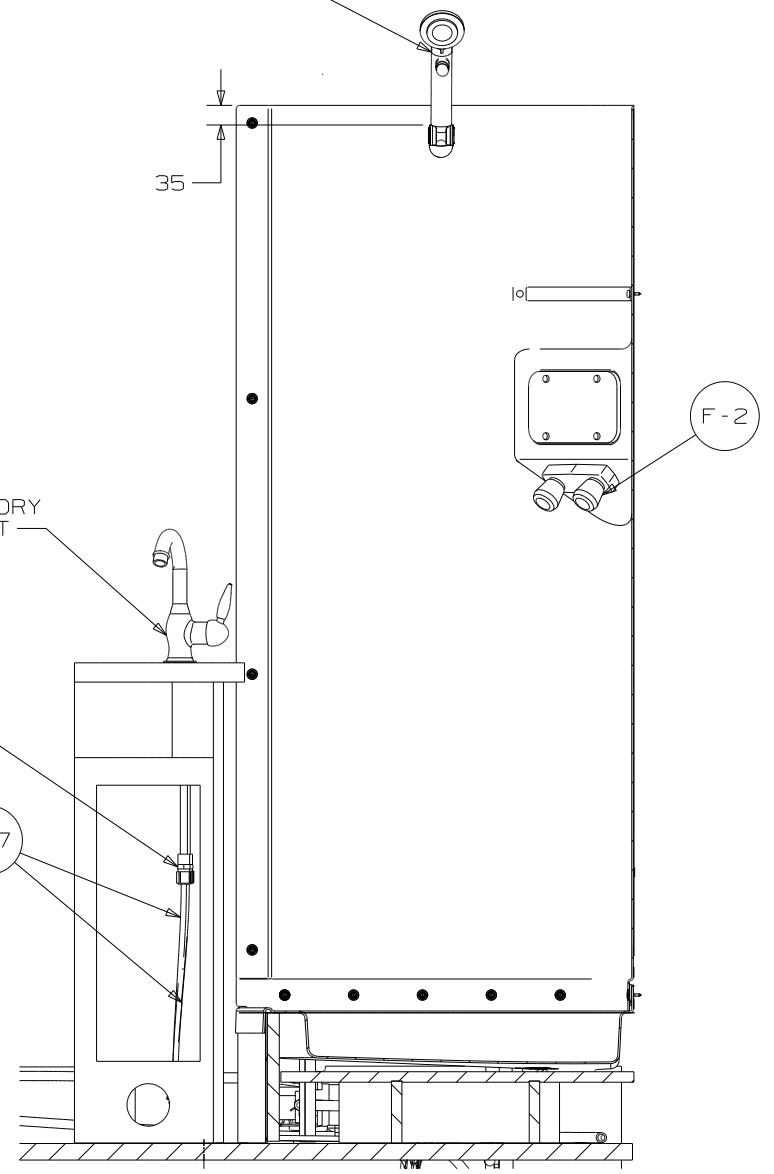
DETAIL B  
(SHOWN W/OUT CABINETS)



- FOAM-PAD 140364-01-CHT
- PANEL-WATER PUMP 149477-04-CHT
- SCREW 000G39-08-24U(4)
- SCREW 000G39-08-16U(4)

DETAIL D

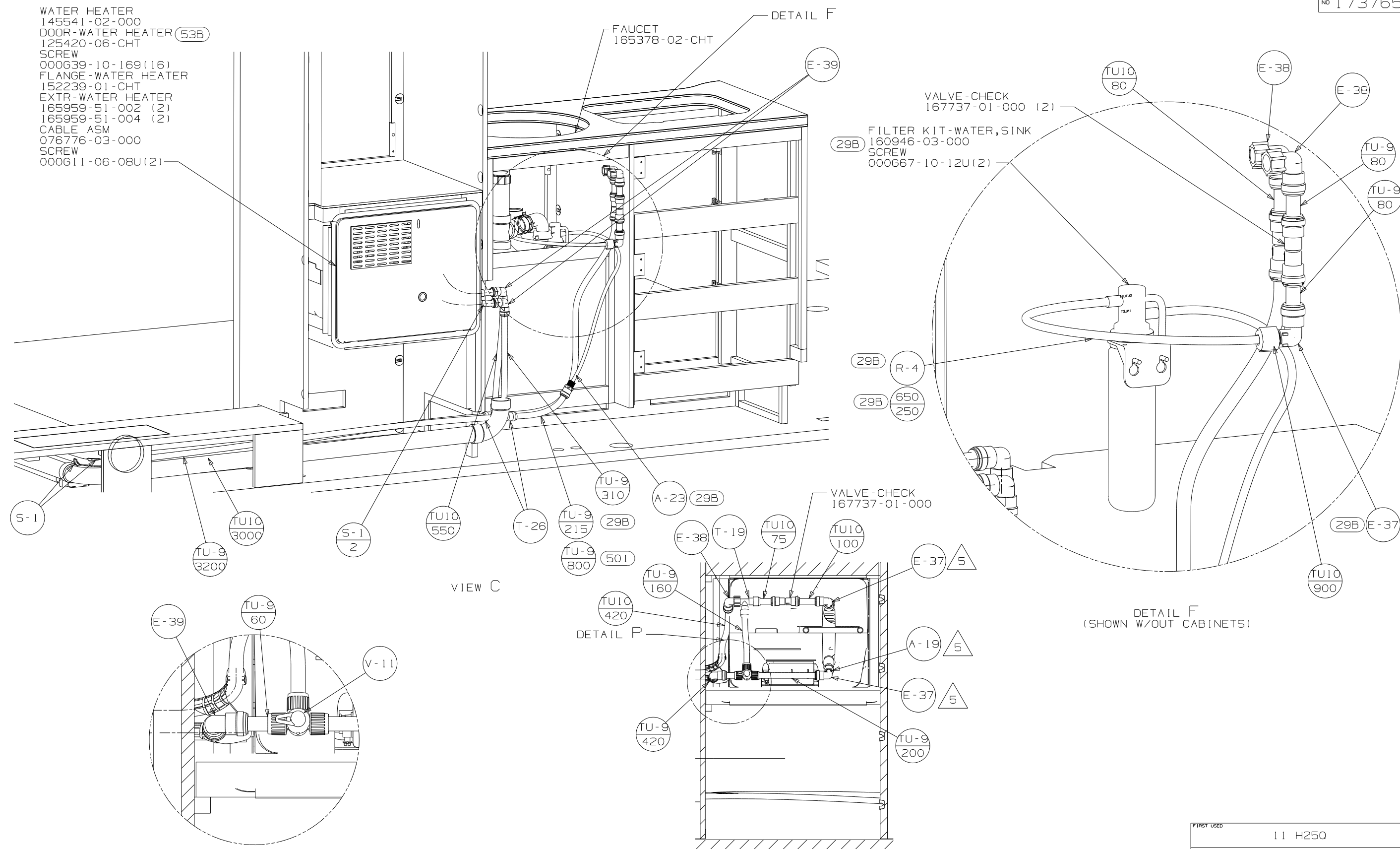
SHOWER HEAD-W/HOSE & BRKT  
176668-01-CHT



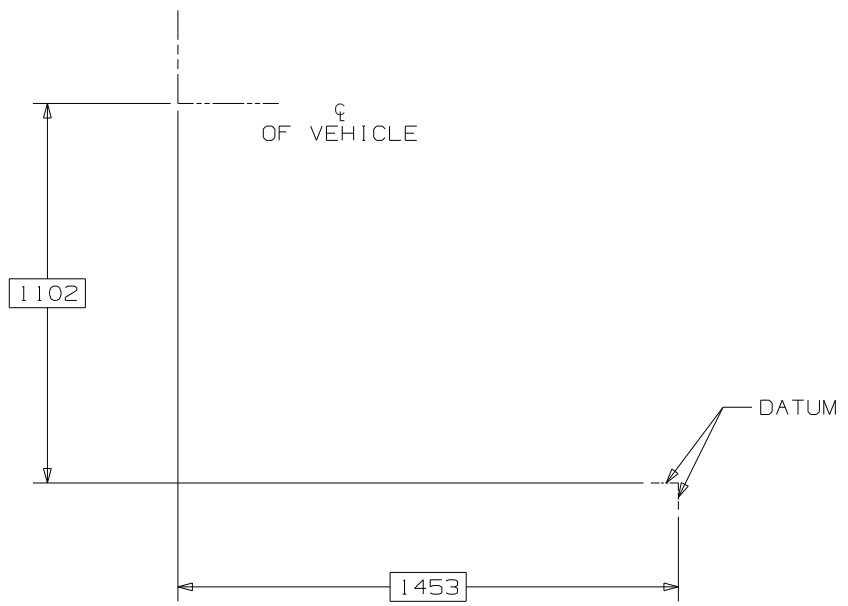
SECTION E-E

FIRST USED	11 H250
DO NOT SCALE DRAWING	
TITLE:	WATER SYSTEM INSTL
SHEET 2	PART NO 173765 REV

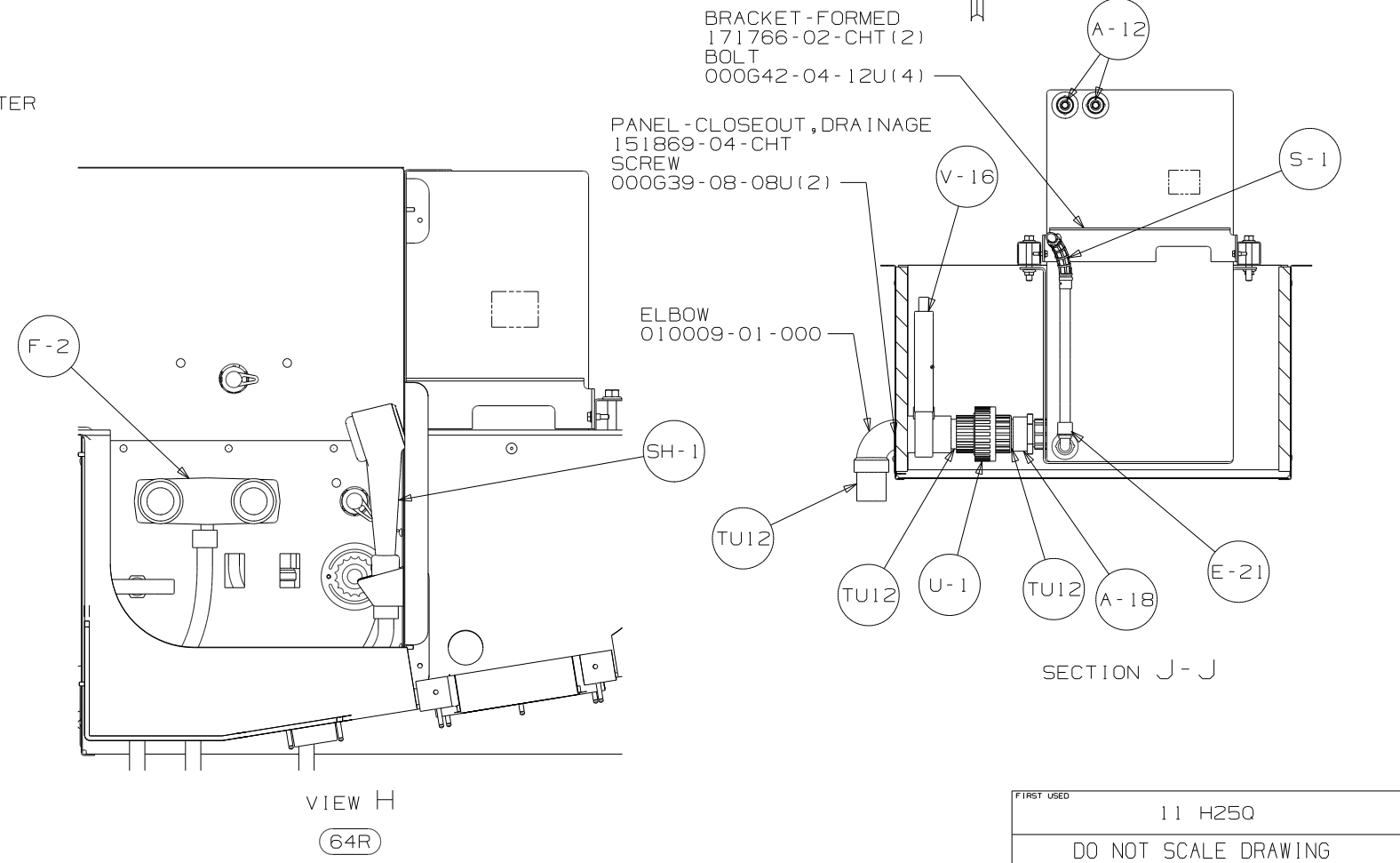
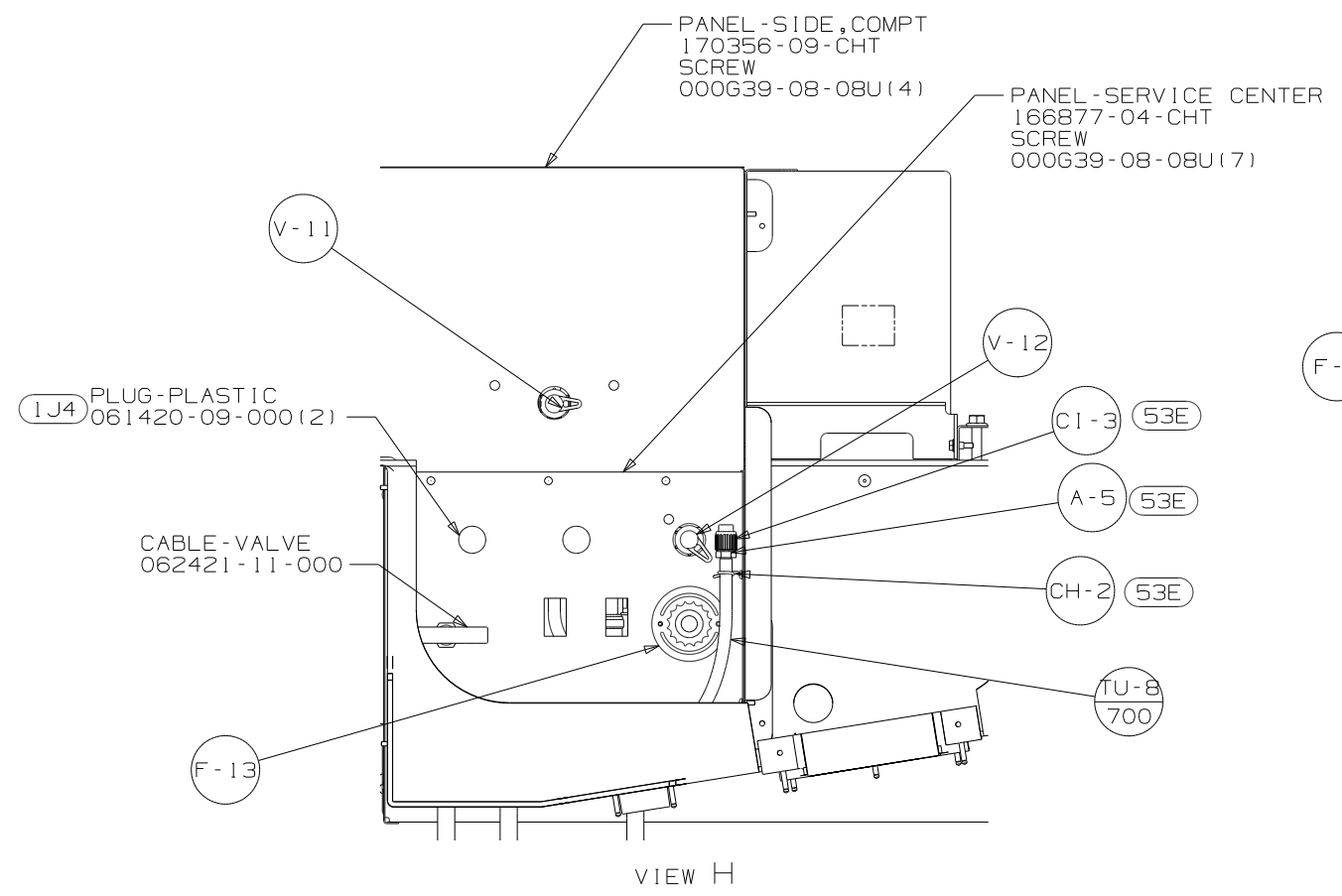
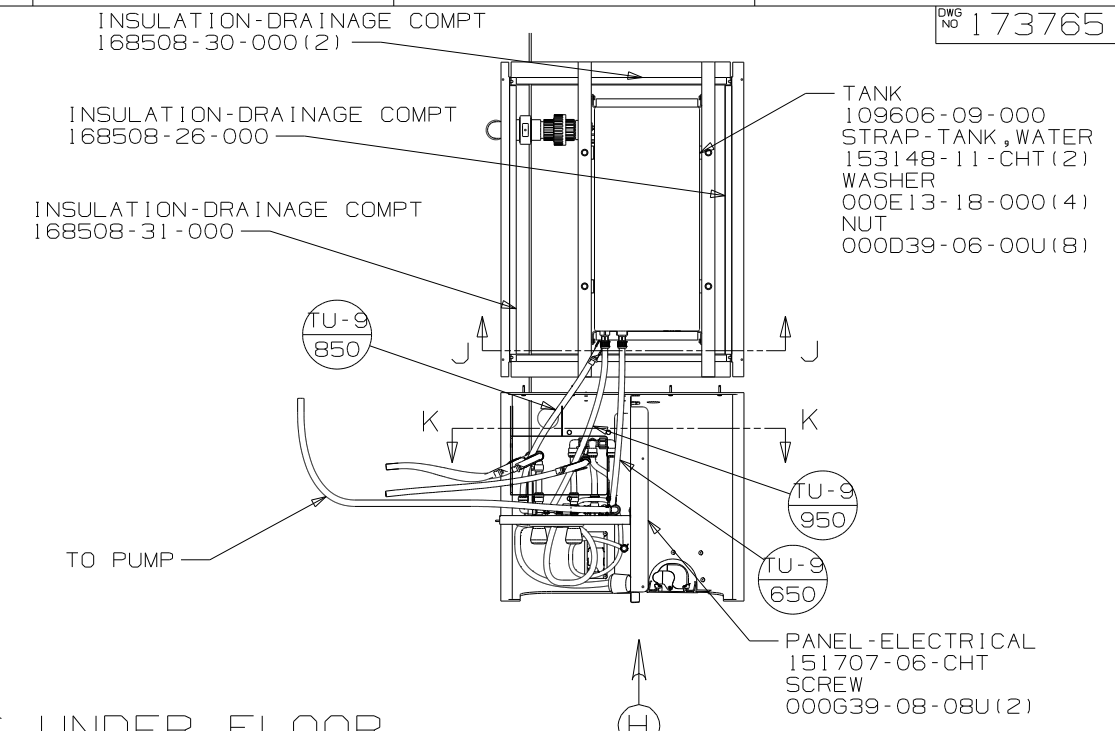
- WATER HEATER  
145541-02-000
- DOOR-WATER HEATER (53B)  
125420-06-CHT
- SCREW  
000639-10-169(16)
- FLANGE-WATER HEATER  
152239-01-CHT
- EXTR-WATER HEATER  
165959-51-002 (2)
- 165959-51-004 (2)
- CABLE ASM  
076776-03-000
- SCREW  
000611-06-08U(2)



FIRST USED	11 H250
TITLE:	DO NOT SCALE DRAWING
SHEET 3	WATER SYSTEM INSTL
PART NO	173765
REV	1 1/4/2011

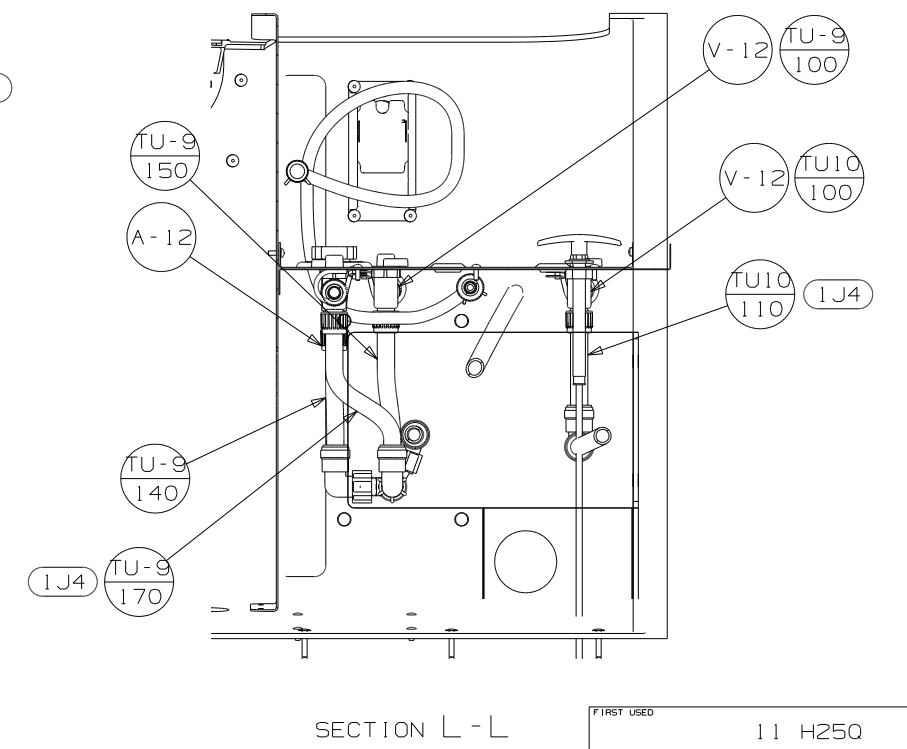
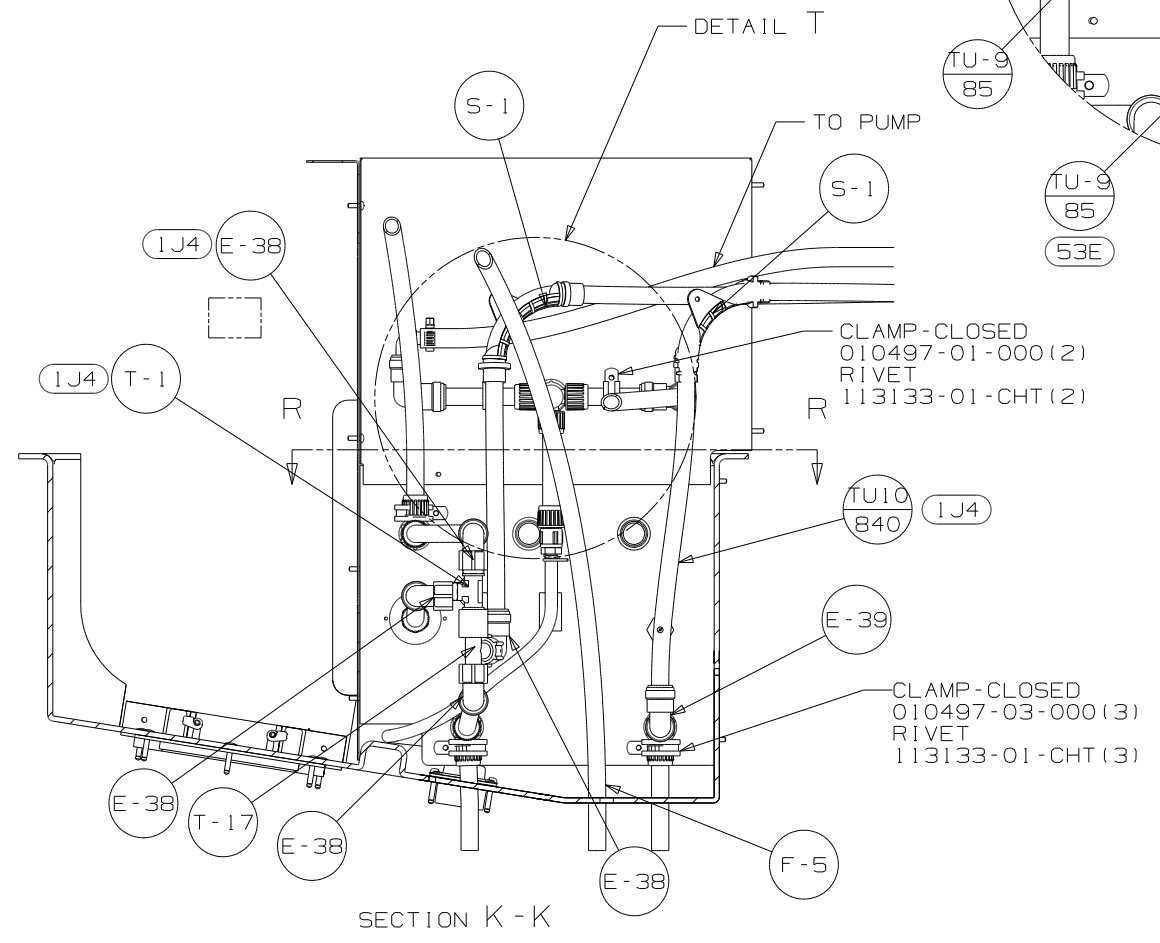
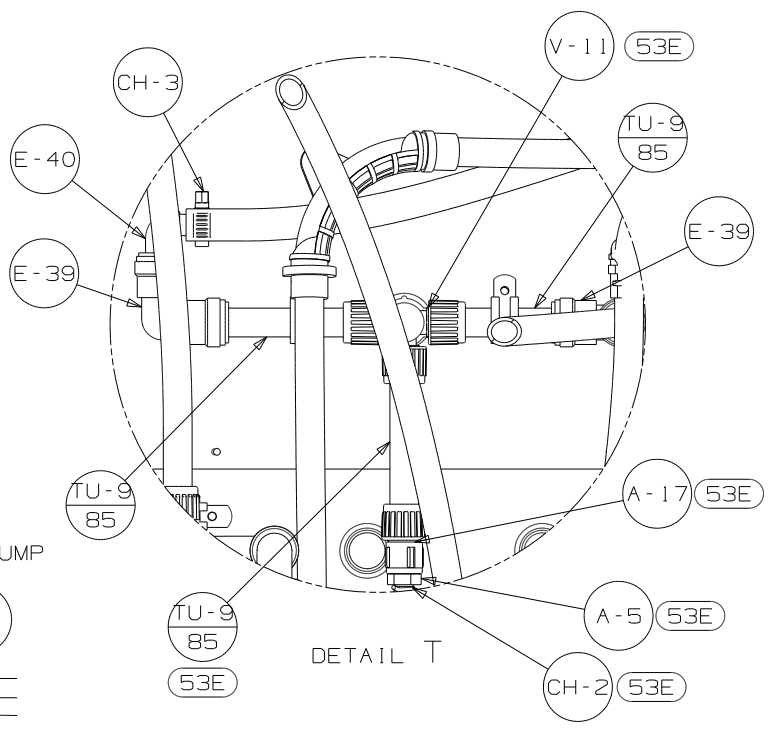
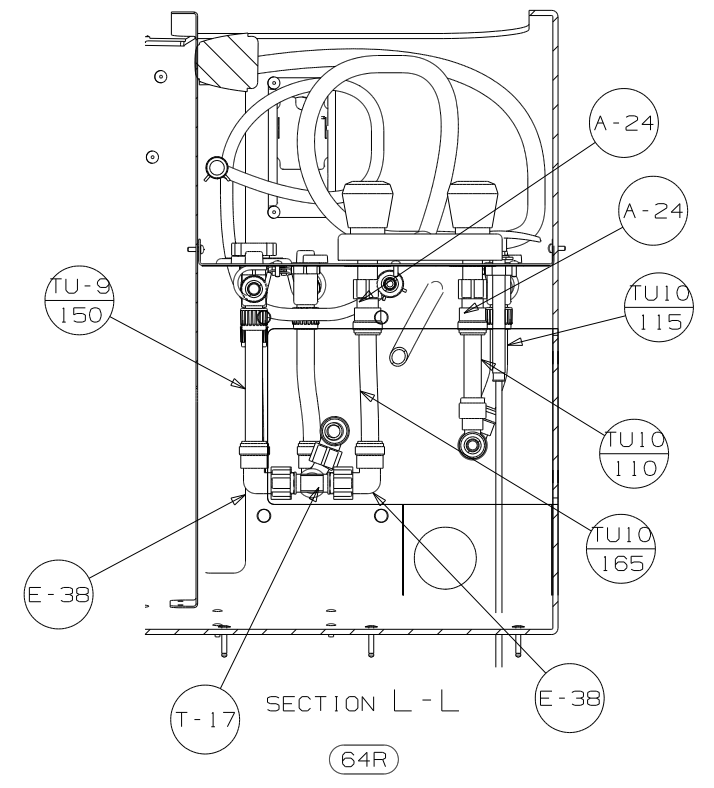
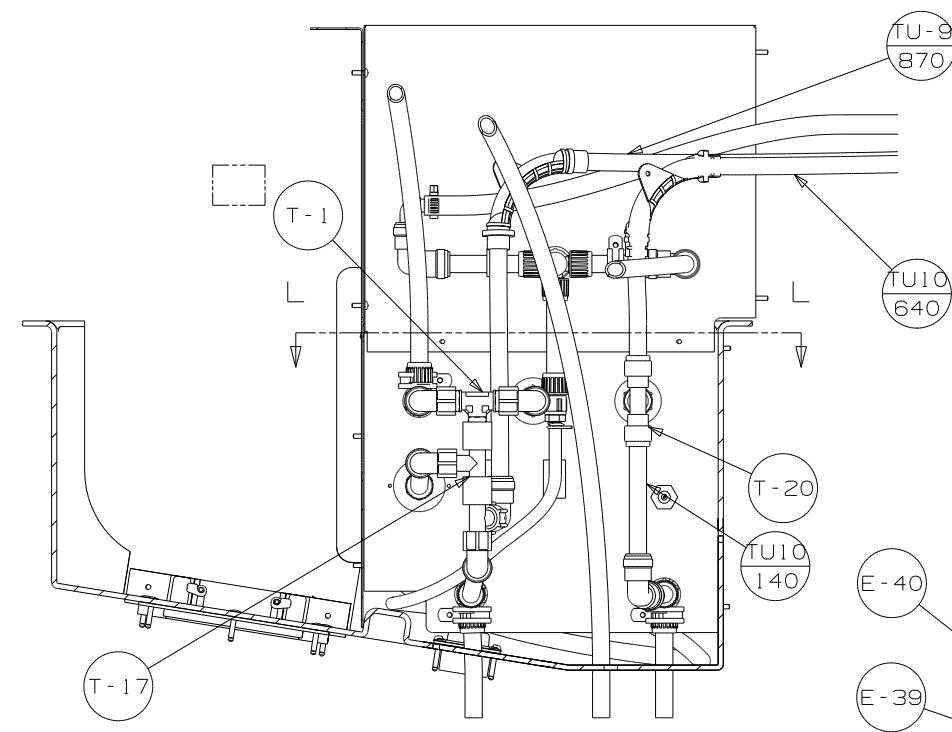


SHOWING TANKS AND COMPTS UNDER FLOOR



FIRST USED	11 H250
TITLE:	DO NOT SCALE DRAWING
	WATER SYSTEM INSTL
SHEET 4	PART NO 173765 REV





FIRST USED	11 H250		
TITLE:	DO NOT SCALE DRAWING		
	WATER SYSTEM INSTL		
SHEET 5	PART NO	173765	REV
			1 1/4/2011