

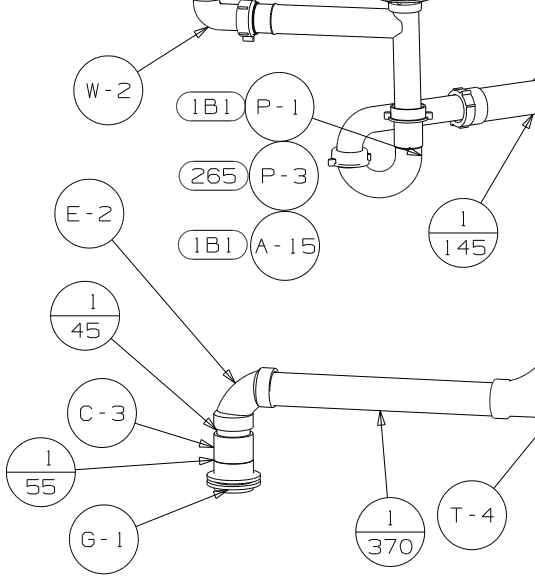
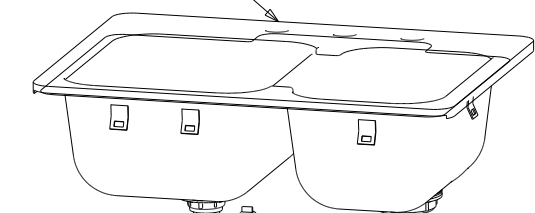
8. SECURE DRAINAGE PIPES TO CABINET USING WIRE TIE 108046-02-000, AND SCREW 000G67-10-12B AT INTERVALS OF NOT MORE THAN 4 FEET APART.
7. SECURE VENT PIPE TO FLOOR WITH CLAMP 062401-02-000 (2), SCREW 000G67-10-12B (2), BRACKET 136878-01-CHT (2).
6. VENT PIPE MUST PROJECT 51 MIN AND 64 MAX ABOVE ROOF FOR PROPER FIT AND FUNCTION.
5. SEAL AROUND SHOWER WITH SILICONE.
4. USE SMOOTH PLUMBERS PUTTY 167459-01-000 TO SEAL STRAINER (.2 PER STRAINER).
3. ALL PIPE AND FITTINGS TO BE ASSEMBLED WITH SOLVENT 004020-01-000 (USA), 004020-02-000 (CAN)
2. SLOPE OF TRAP ARM MUST BE 6 PER 305 mm.
1. SLOPE OF HORIZONTAL PIPING TO BE MINIMUM OF 3 PER 305 mm.

NOTES:

<b>WINNEBAGO</b>		COPYRIGHT 2010 WINNEBAGO INDUSTRIES, INC.	
D/FR	ORIG. DATE	ALL DIMENSIONS ARE IN MILLIMETERS	
CHKR		FIRST USED	
P.E.		11 E32K	
M.E.		UNSPECIFIED TOLERANCES ARE:	
DSNR		MATERIAL:	
		WHOLE DIM (X)	: 3
		ONE-PLACE (X.X)	: 1.5
		TWO-PLACE (X.XX)	: 0.50
		ANGLE	: 1°
THIRD ANGLE PROJECTION		DO NOT SCALE DRAWING REFER TO ES0018 FOR FASTENER TIGHTENING GUIDELINES	
TITLE:		DRAINAGE SYSTEM INSTL	
SHEET 1 OF 3	PART NO	174184	
REF:		11/30/2010	

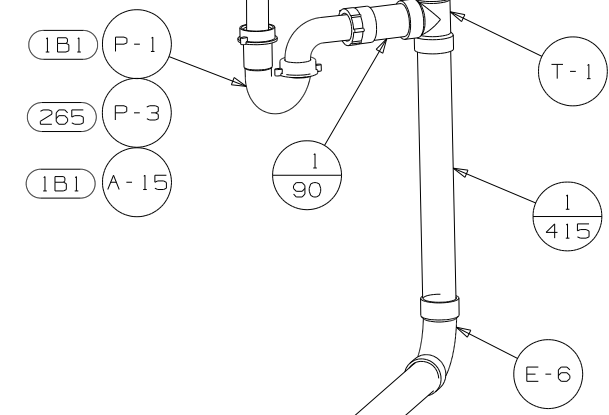
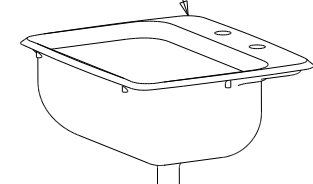
FOR  
DRAINAGE  
CALLOUTS  
SEE DWG NO  
116229-01-000

SINK-DBL, L/S BASIN  
 163942-03-CHT  
 STRAINER  
 092303-01-000 (2)  
 BRACKETS & SCREWS  
 (INCLUDED WITH SINK)  
 SEAL  
 91255-03-000  
 (2130)

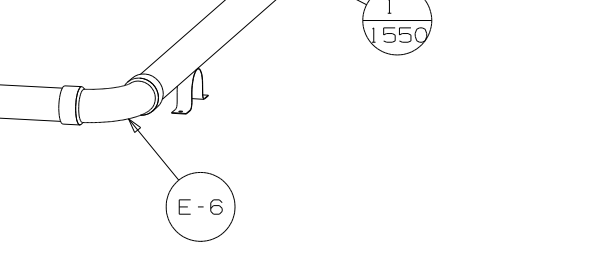


VIEW A

SINK-LAVATORY, RECTANGLE  
 096927-01-CHT

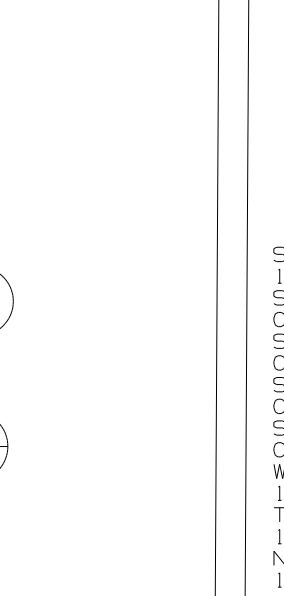
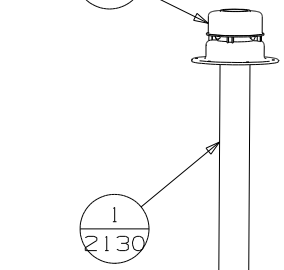


STRAP-CONDUIT, 2"  
 8406-01-000 (2)

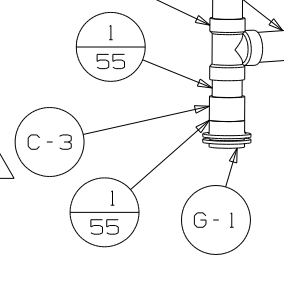
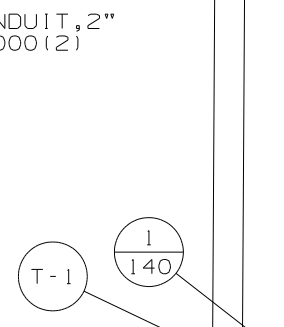


VIEW B

SHOWER PAN  
 152200-03-CHT  
 STRAINER  
 066440-01-000  
 SEALANT  
 084456-01-000  
 SCREW  
 000G11-08-12U (9)  
 SCREW  
 000G39-08-12U (4)  
 WASHER-RUBBER  
 127440-02-CHT  
 TAILPIECE  
 11069-02-000  
 NUT  
 130403-01-000

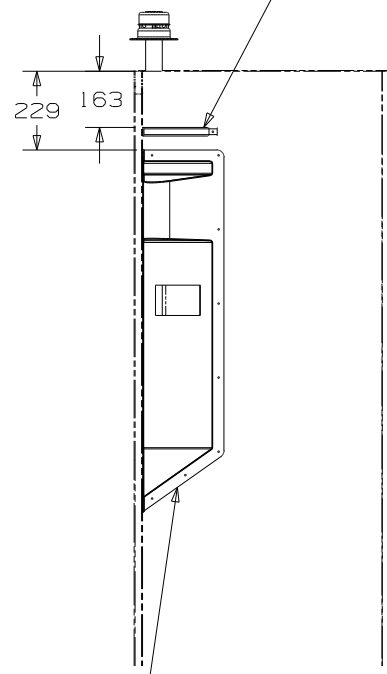


TOILET  
 147421-04-CHT



VIEW C

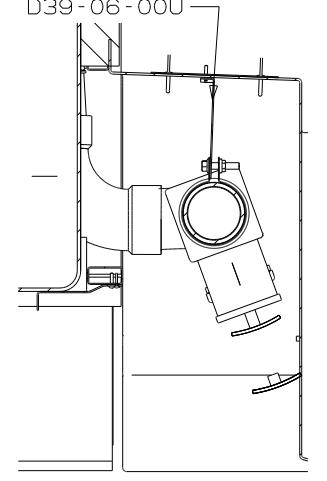
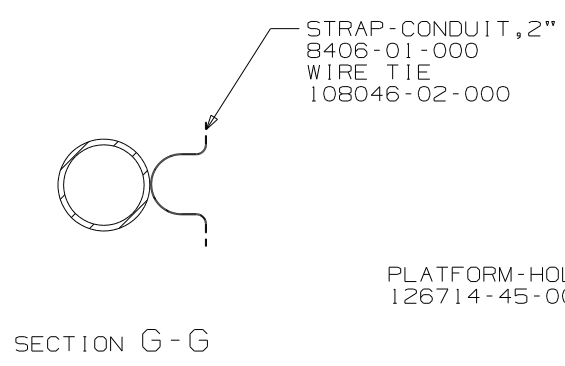
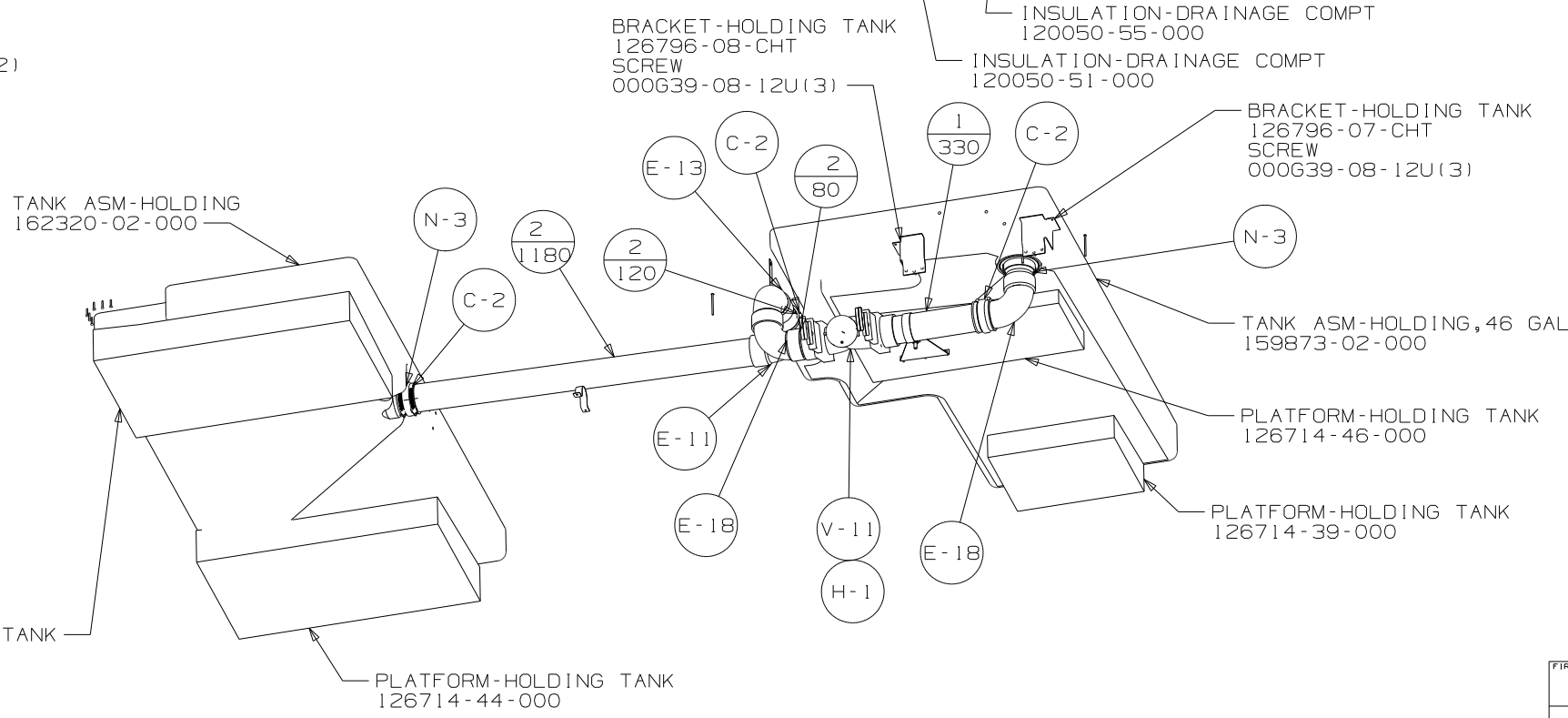
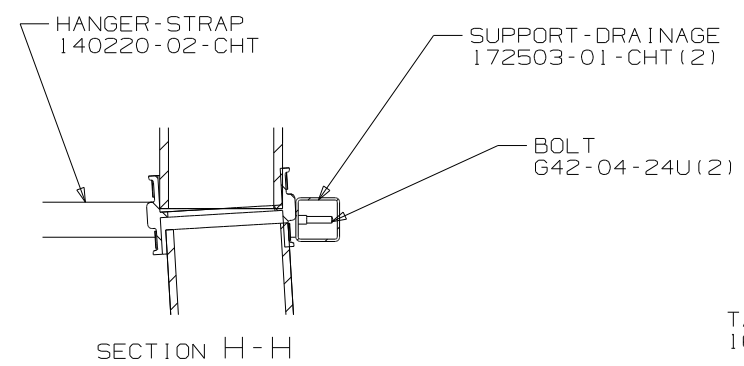
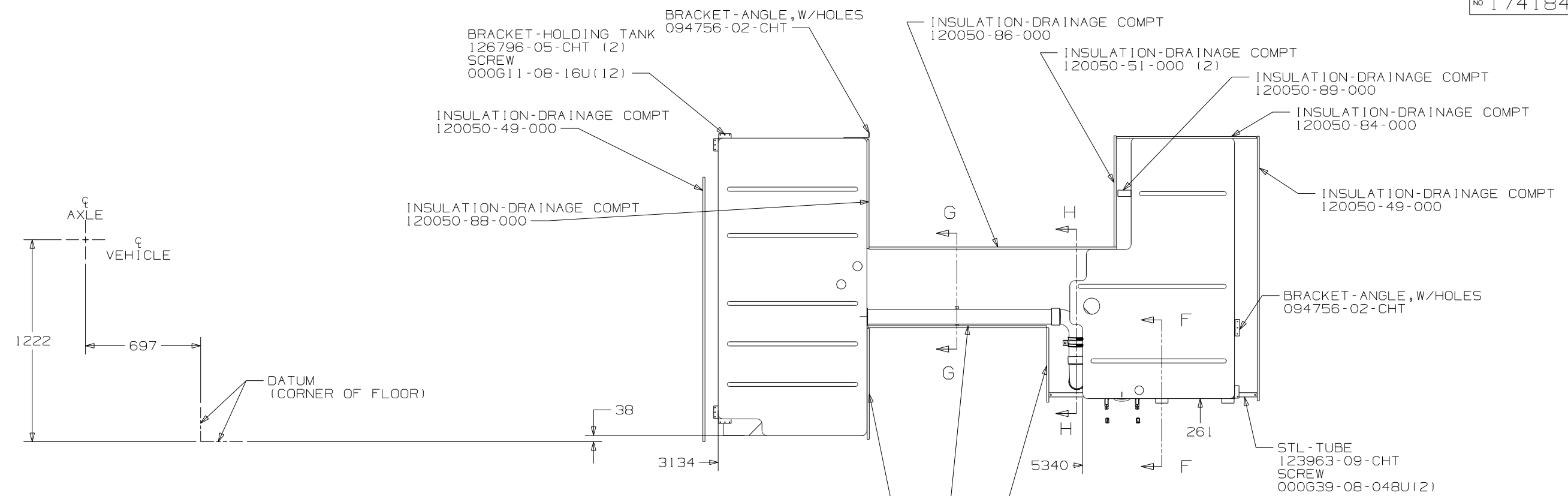
RETAINER-SHELF, SHOWER  
 113714-02-CHT  
 SCREW  
 000G11-08-12U (2)  
 COVER  
 166569-01-CHT (2)



CADDY-SHOWER  
 105707-01-CHT  
 SCREW  
 000G11-08-12U (16)  
 COVER  
 166569-01-CHT (16)

VIEW C

FIRST USED	11 E32K	
TITLE	DO NOT SCALE DRAWING	
SHEET 2	PART NO	174184
	REV	11/30/2010



FIRST USED	11 E32K		
TITLE	DO NOT SCALE DRAWING		
	DRAINAGE SYSTEM INSTL		
SHEET 3	PART NO	174184	REV

8

7

6

5

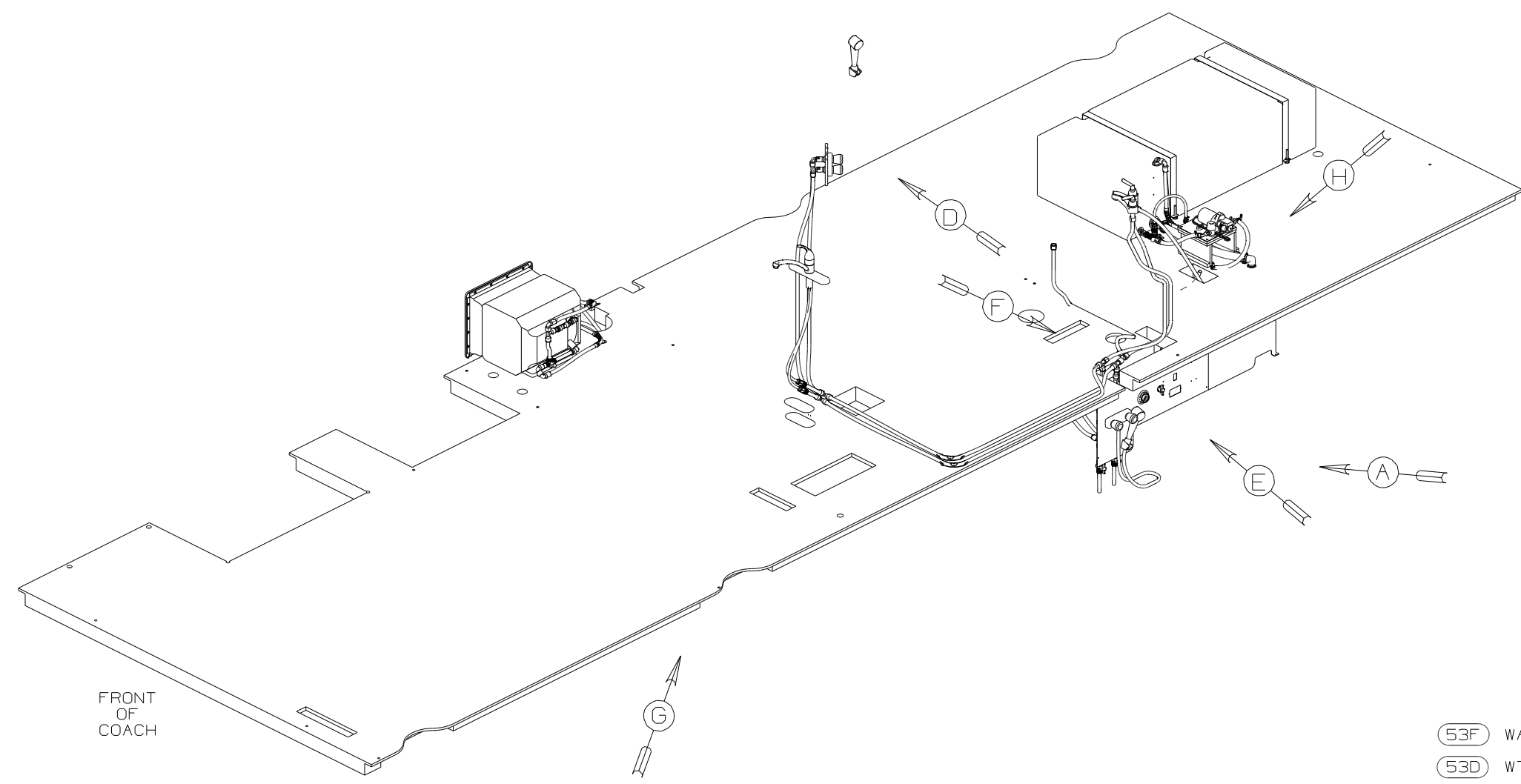
4

3

2

1

RELEASE	REV DATE	DWG NO
A		174191
REV ZONE	REVISION RECORD	DATE
		DFT-016



FRONT OF COACH

- (53F) WATER HEATER-ELEC. IGNITION
- (53D) WTR HTR-6GAL/ELEC/LP/MOTORAID
- (64R) EXTERIOR WASH STATION
- (1J4) EXT WASH STATION - WITHOUT

- NOTES:
9. TAPE FITTING TO TUBE BEFORE CABINET SET TO PREVENT FITTING FROM MOVING.
  8. LABEL HOT AND COLD SUPPLY TUBES.
  7. ADD PIPE WRAP (LADDER SCRAP 110157-02-000) INSULATION.
  6. ADD TEFLON TAPE 010405-03-000.
  5. ADD TEFLON TAPE 010405-02-000.
  4. ADD TEFLON TAPE 010405-01-000.
3. ALL TUBING TO BE SECURED AT 1200 INTERVALS MAXIMUM WITH CLAMP 010495-01-000 AND SCREW 000G67-10-12B OR EQUIVALENT.
  2. TUBING TO BE INSTALLED WITH SUFFICIENT SLOPE TO PROVIDE DRAINAGE TO NEAREST VALVE.
  1. PLASTIC FITTINGS TO BE SEALED WITH SEALANT 084456-01-000.

(X-X)  
FOR WATER CALLOUTS SEE DWG NO 116230-01-000

<b>WINNEBAGO</b>		COPYRIGHT 2010 WINNEBAGO INDUSTRIES, INC.	
DFT	ORIG. DATE	ALL DIMENSIONS ARE IN MILLIMETERS	
CHKR		FIRST USED	
P.E.		11 E32K	
M.E.		UNSPECIFIED TOLERANCES ARE:	
DSNR		MATERIAL:	
		WHOLE DIM (X) :	3
		ONE-PLACE (X.X) :	
		TWO-PLACE (X.XX) :	
		ANGLE :	
		THIRD ANGLE PROJECTION	
DO NOT SCALE DRAWING		REFER TO ES0018 FOR FASTENER TIGHTENING GUIDELINES	
TITLE: WATER SYSTEM INSTL			
SHEET 1 OF 4	PART NO	174191	REV

8

7

6

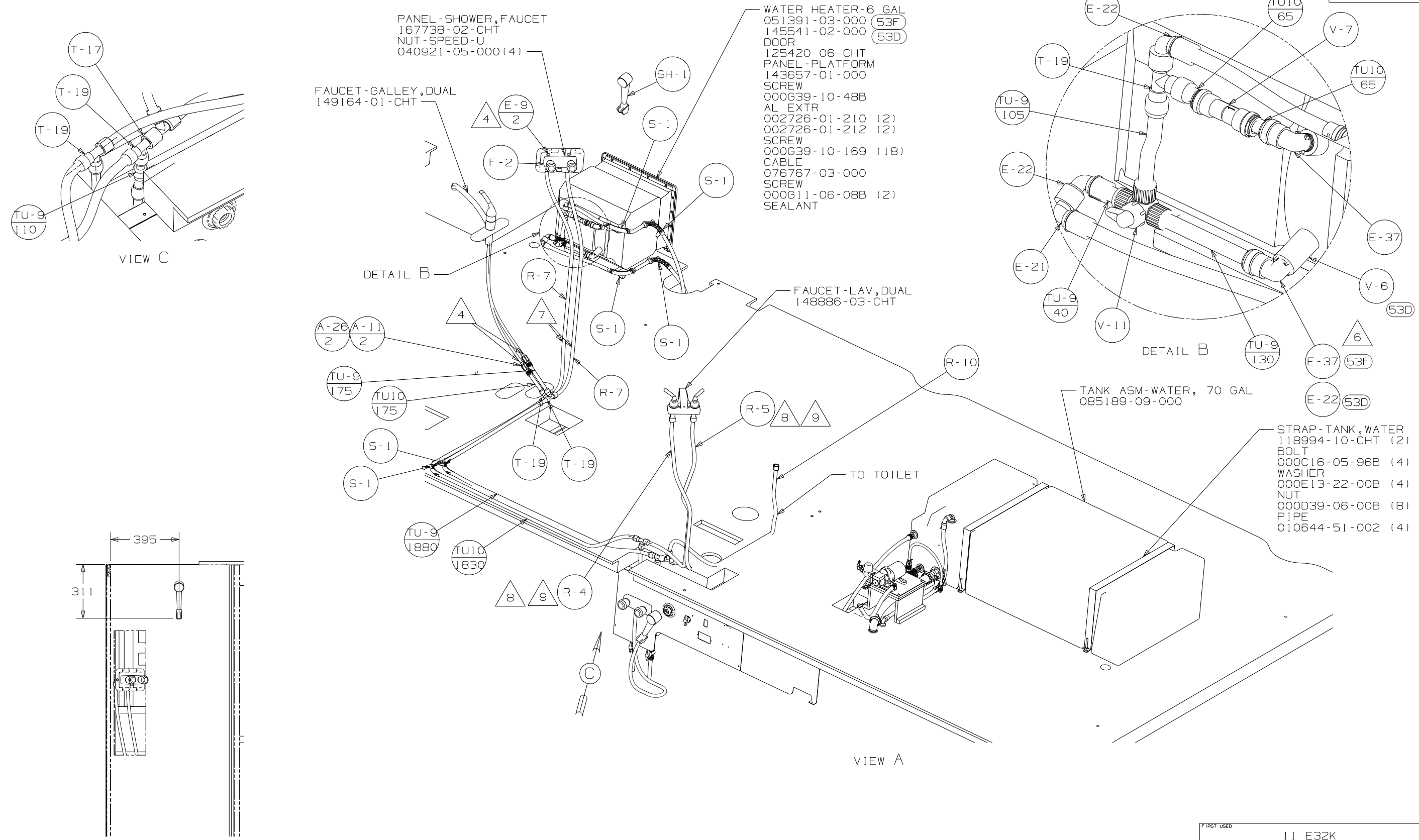
5

4

3

2

1



PANEL - SHOWER, FAUCET  
 167738-02-CHT  
 NUT - SPEED-U  
 040921-05-000 (4)

FAUCET - GALLEY, DUAL  
 149164-01-CHT

WATER HEATER-6 GAL  
 051391-03-000 (53F)  
 145541-02-000 (53D)  
 DOOR  
 125420-06-CHT  
 PANEL - PLATFORM  
 143657-01-000  
 SCREW  
 000639-10-48B  
 AL EXTR  
 002726-01-210 (2)  
 002726-01-212 (2)  
 SCREW  
 000639-10-169 (18)  
 CABLE  
 076767-03-000  
 SCREW  
 000611-06-08B (2)  
 SEALANT

FAUCET - LAV, DUAL  
 148886-03-CHT

TANK ASM-WATER, 70 GAL  
 085189-09-000

STRAP-TANK, WATER  
 118994-10-CHT (2)  
 BOLT  
 000C16-05-96B (4)  
 WASHER  
 000E13-22-00B (4)  
 NUT  
 000D39-06-00B (8)  
 PIPE  
 010644-51-002 (4)

VIEW C

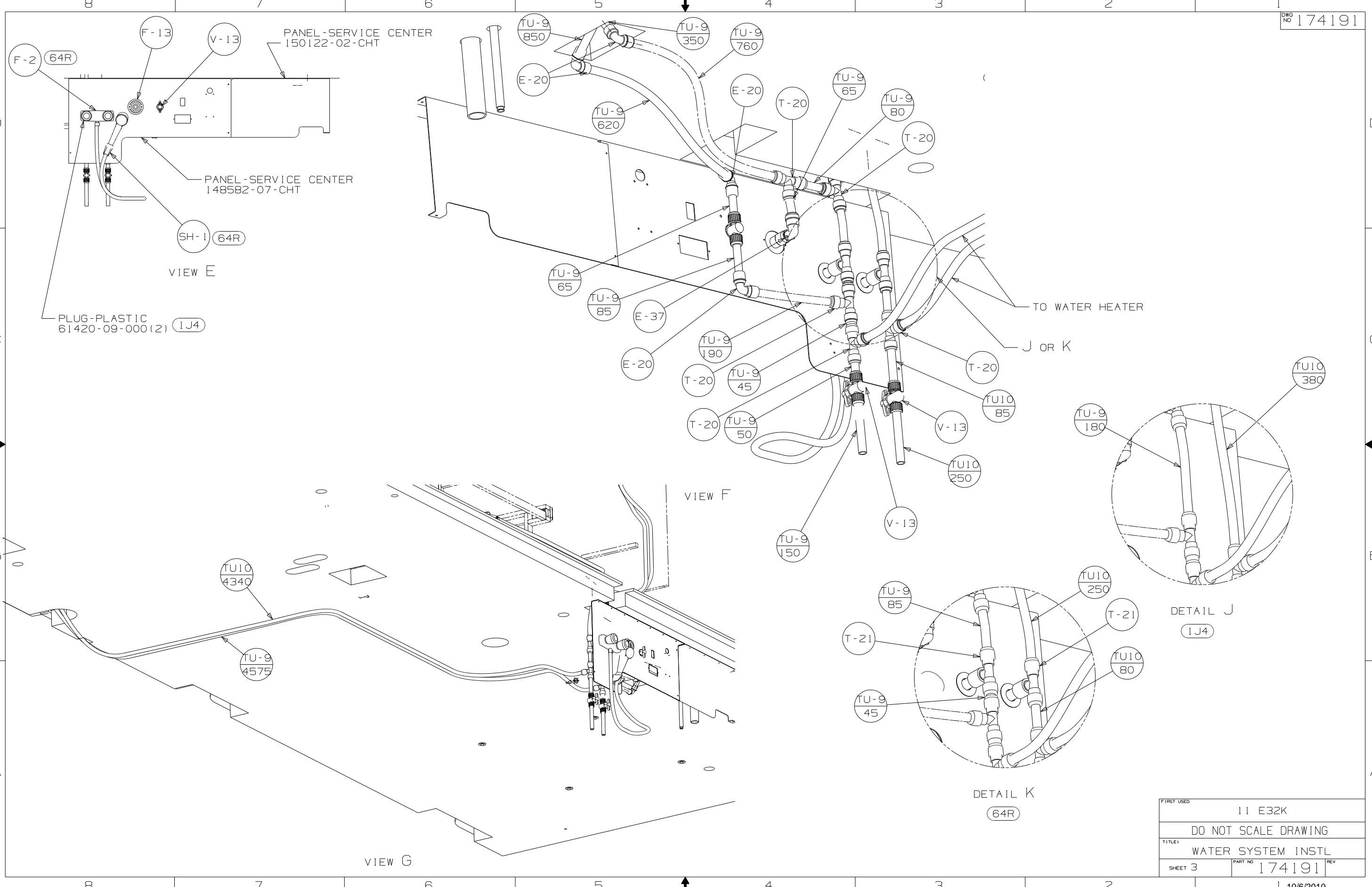
DETAIL B

DETAIL B

VIEW A

VIEW D

FIRST USED	11 E32K		
TITLE	DO NOT SCALE DRAWING		
TITLE	WATER SYSTEM INSTL		
SHEET 2	PART NO	174191	REV



VIEW E

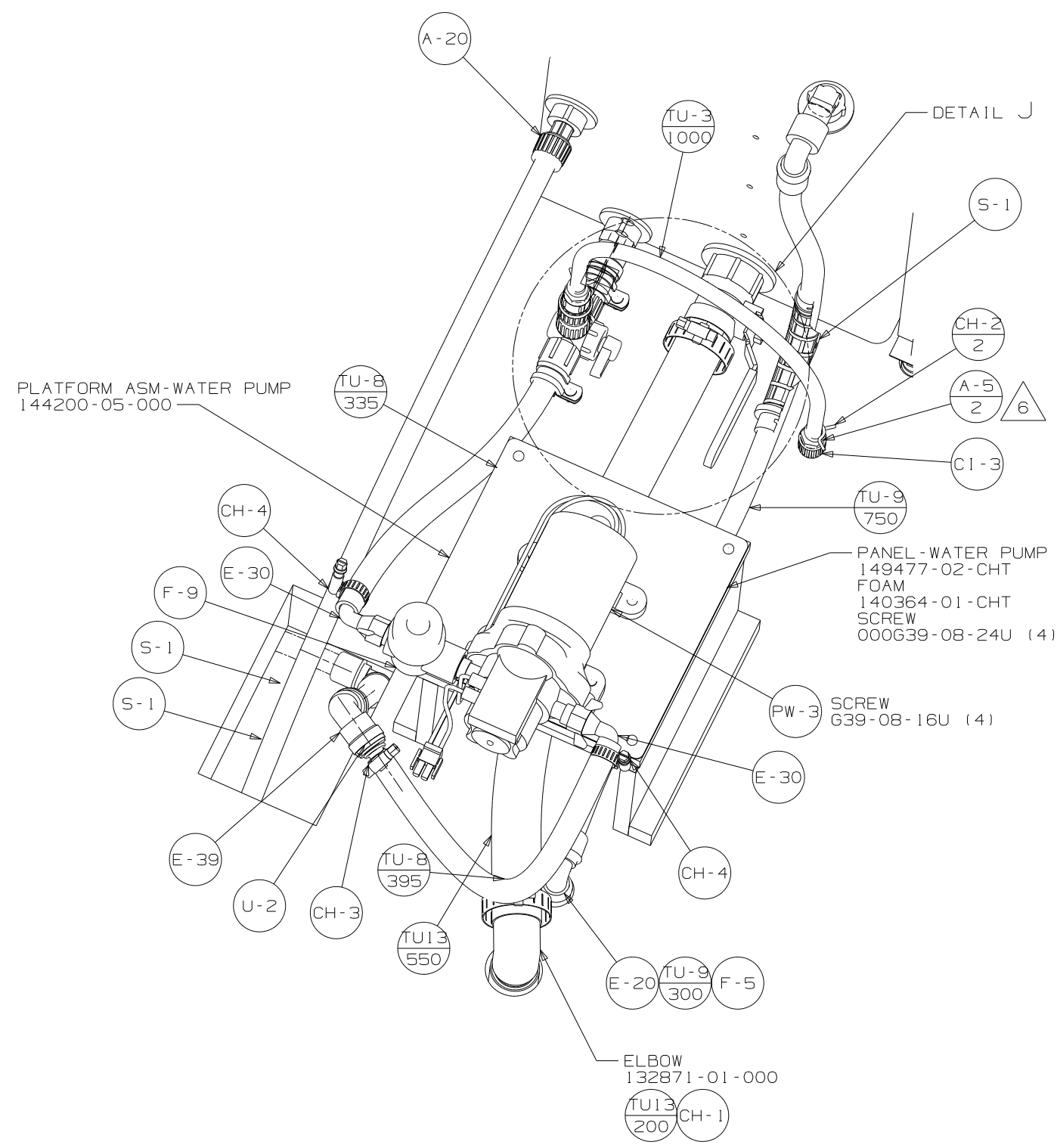
VIEW F

VIEW G

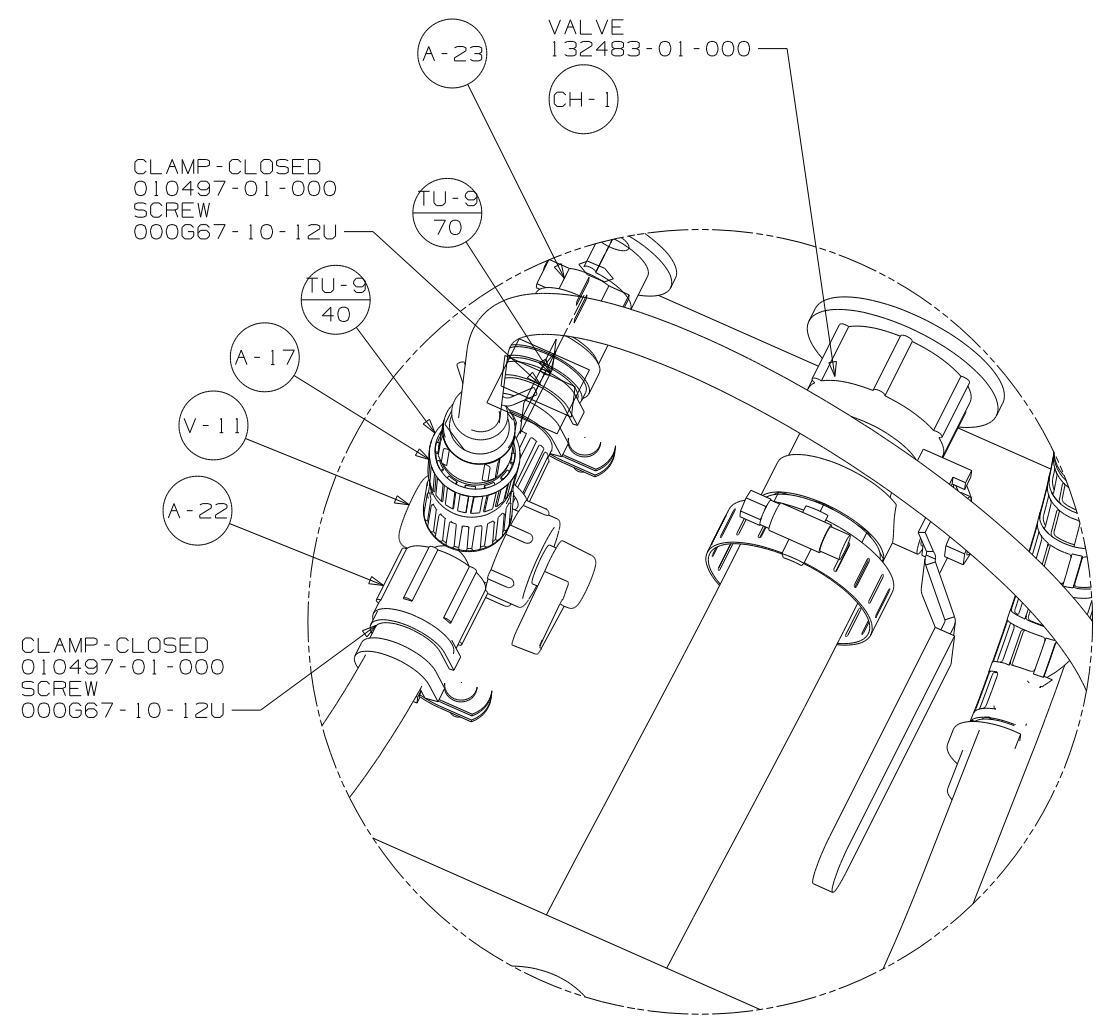
DETAIL J  
1J4

DETAIL K  
64R

FIRST USED	11 E32K		
TITLE	DO NOT SCALE DRAWING		
SHEET 3	PART NO	174191	REV
			10/6/2010



VIEW H



DETAIL J

FIRST USED	11 E32K		
TITLE	DO NOT SCALE DRAWING		
	WATER SYSTEM INSTL		
SHEET 4	PART NO	174191	REV