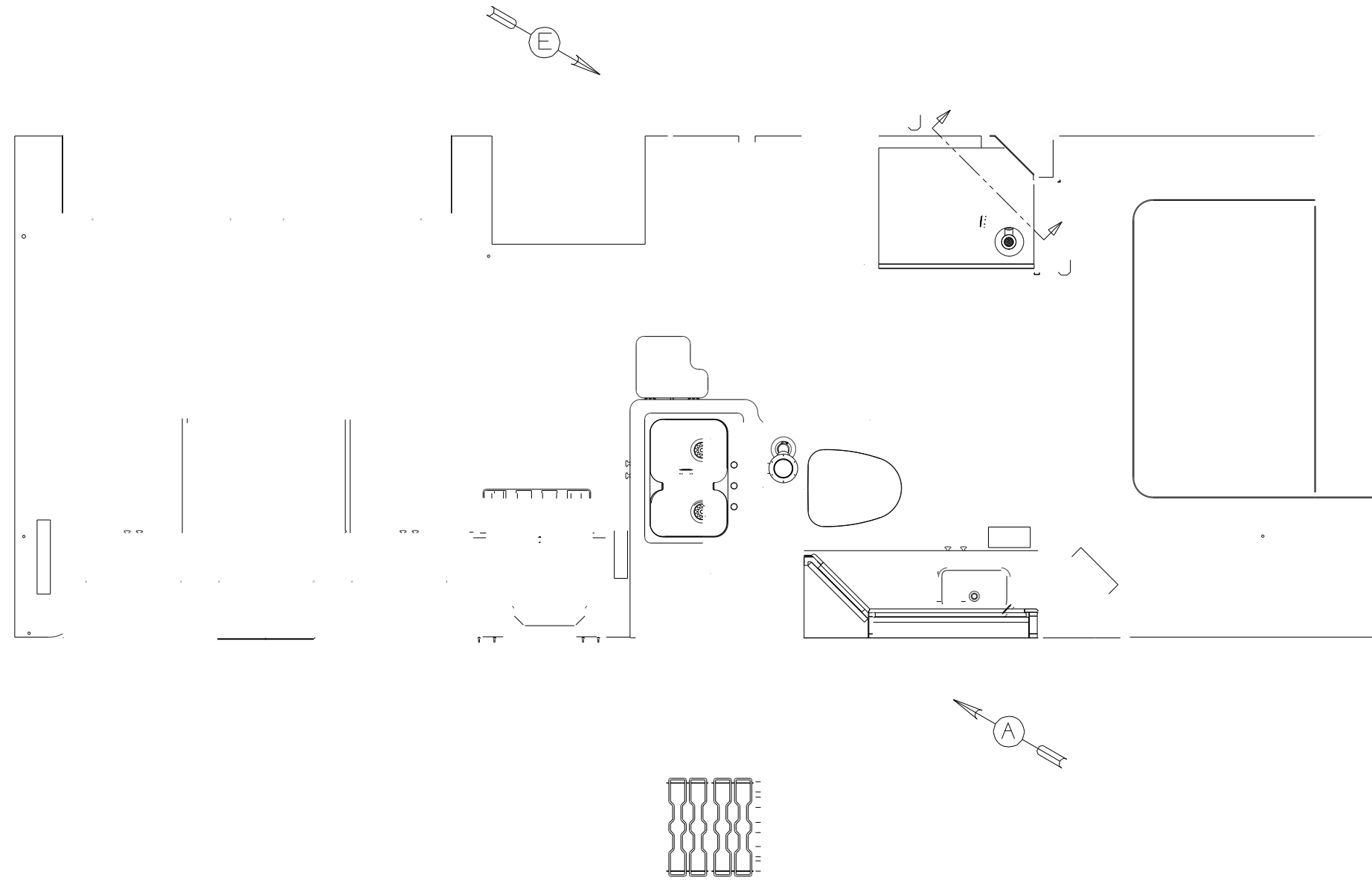


FRONT
OF
COACH

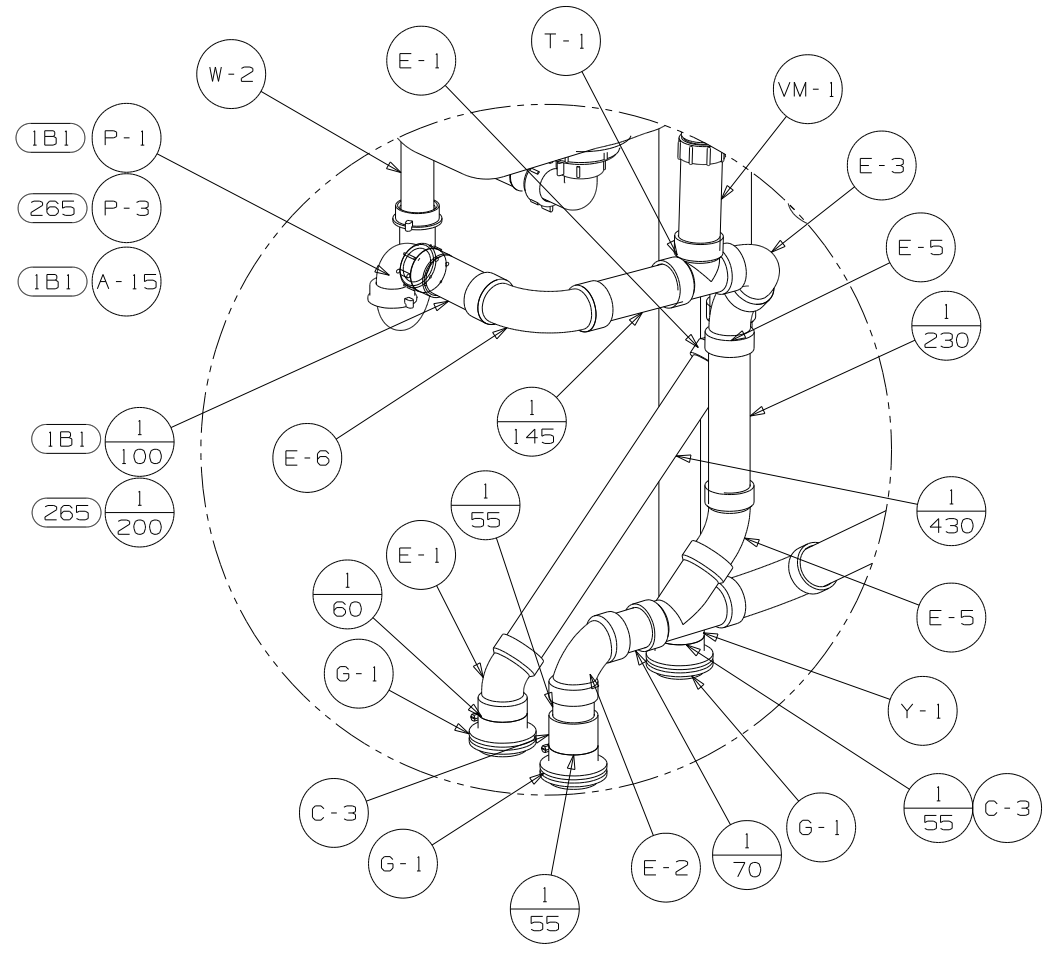
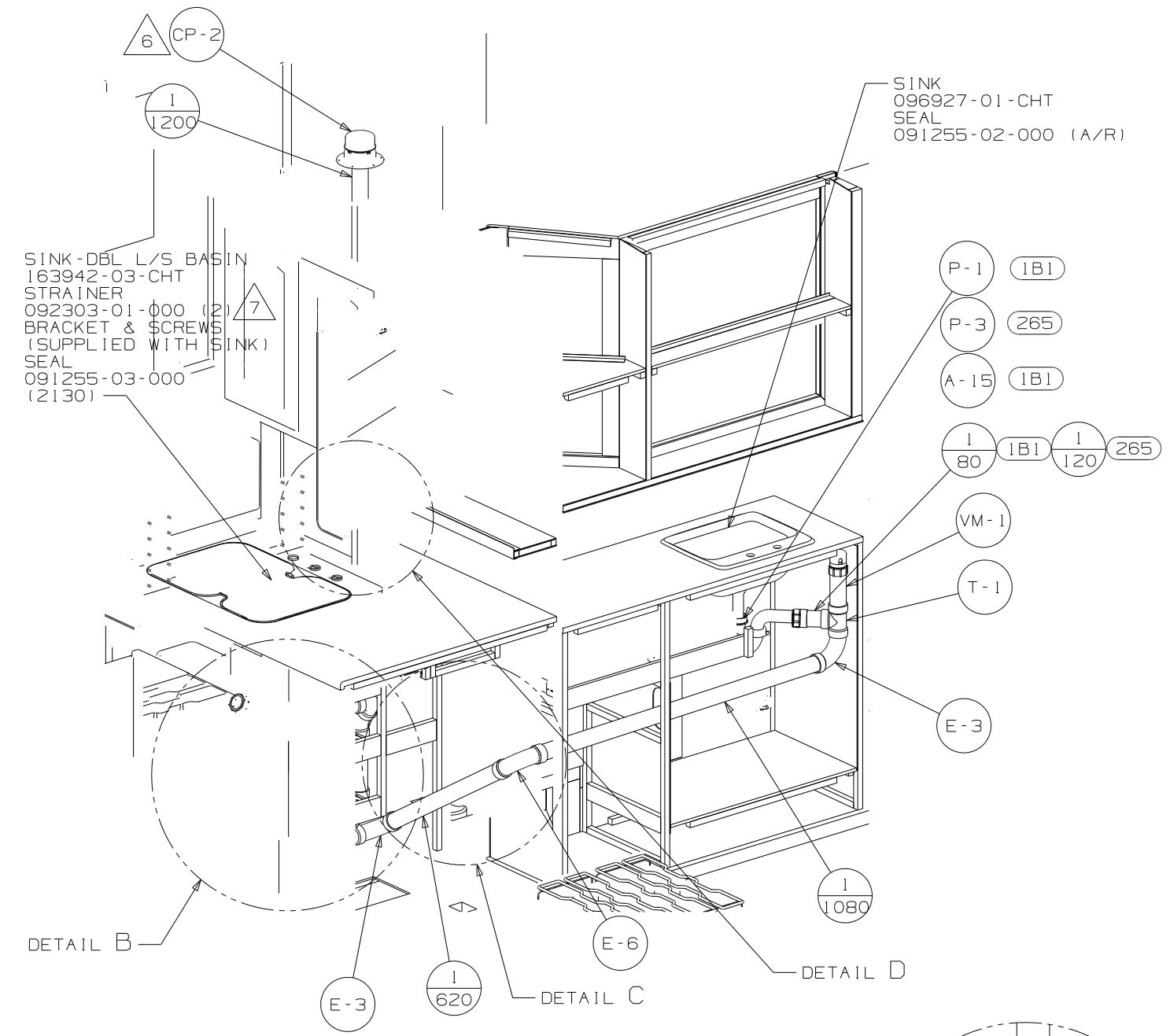


(265) CODES/STDS-CSA/CMVSS
(1B1) CODES/STANDARDS-USA

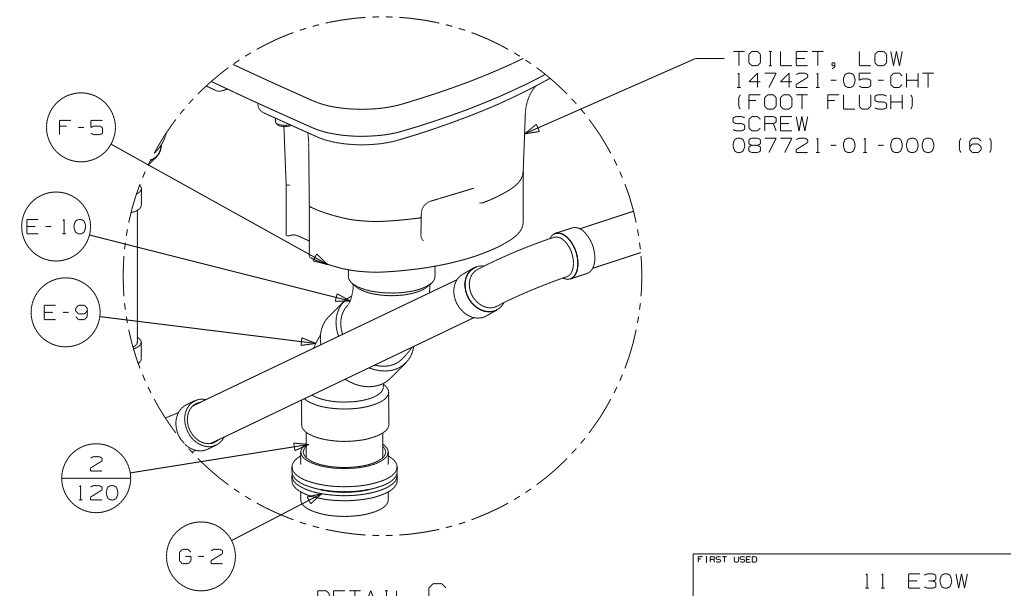
WINNEBAGO		COPYRIGHT 2011 WINNEBAGO INDUSTRIES, INC.	
DFTR	ORIG. DATE	ALL DIMENSIONS ARE IN MILLIMETERS	
CHKR		11 E30W	
P.E.		UNSPECIFIED TOLERANCES ARE:	
M.E.	FIRST USED	WHOLE DIM (X)	: 3
DSNR		ONE-PLACE (X.X)	:
		TWO-PLACE (X.XX)	:
		ANGLE	:
		THIRD ANGLE PROJECTION	
DO NOT SCALE DRAWING		REFER TO ES0018 FOR FASTENER TIGHTENING GUIDELINES	
TITLE: DRAINAGE SYSTEM INSTL			
SHEET 1 OF 4	PART NO	176783	REV
REF:	1 1/27/2011		

- NOTES:
- 6 VENT PIPE MUST PROJECT 51 MIN AND 64 MAX ABOVE ROOF FOR PROPER FIT AND FUNCTION.
 5. SEAL AROUND SHOWER WITH SILICONE.
 4. SECURE VENT TUBES TO FLOOR WITH BRACKET 136878-01-CHT (1). CLAMP 062401-02-000 AND SCREW 000667-10-12B (1)
 3. ALL PIPE AND FITTINGS TO BE ASSEMBLED WITH SOLVENT 004020-01-000 (US), 004020-02-000 (CAN).
 2. SLOPE OF TRAP ARM MUST BE 6 PER 305 mm.
 1. SLOPE OF HORIZONTAL PIPING TO BE MIN 3 PER 305 mm.

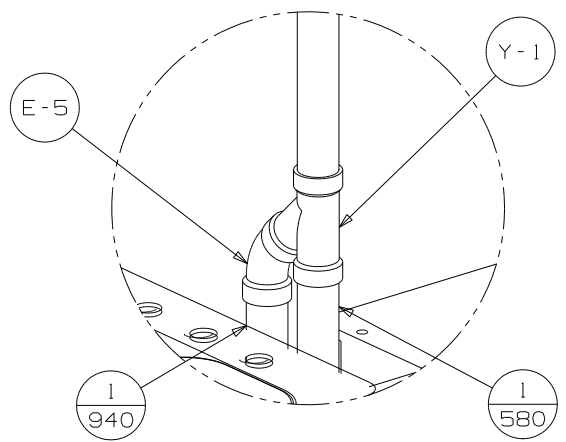
(X-X)
FOR
DRAINAGE
CALLOUTS
SEE DWG NO
116229-01-000



DETAIL B
(SHOWN W/OUT CABINETS AND FLOOR)



DETAIL C
(SHOWN W/OUT CABINETS AND FLOOR)

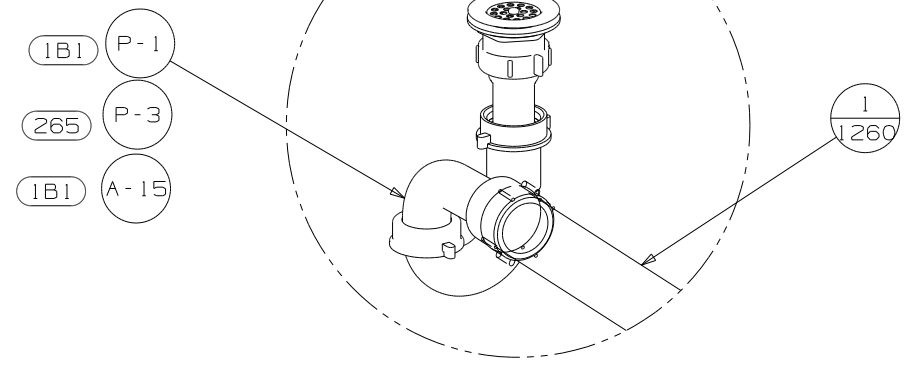


DETAIL D
(SHOWN W/OUT CABINETS)

VIEW A

FIRST USED	11 E30W		
TITLE	DO NOT SCALE DRAWING		
	DRAINAGE SYSTEM INSTL		
SHEET 2	PART NO	176783	REV

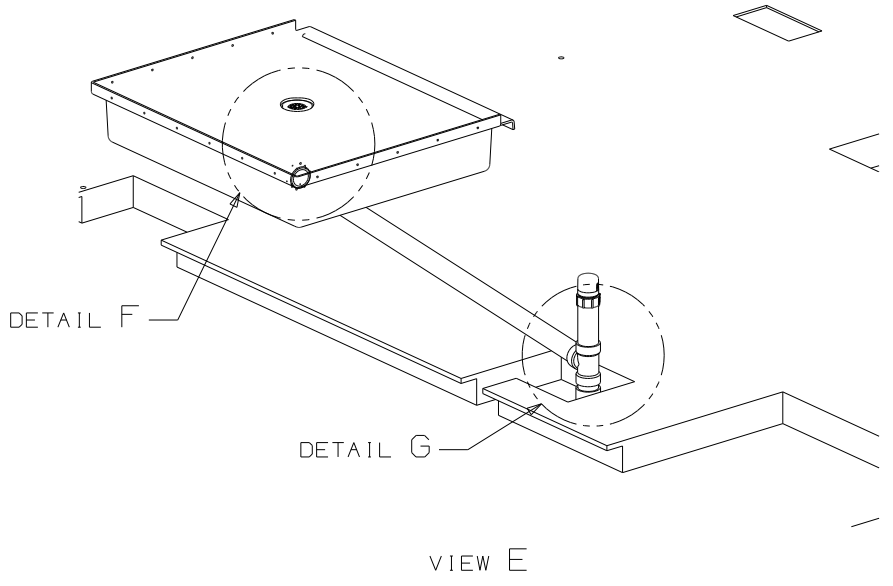
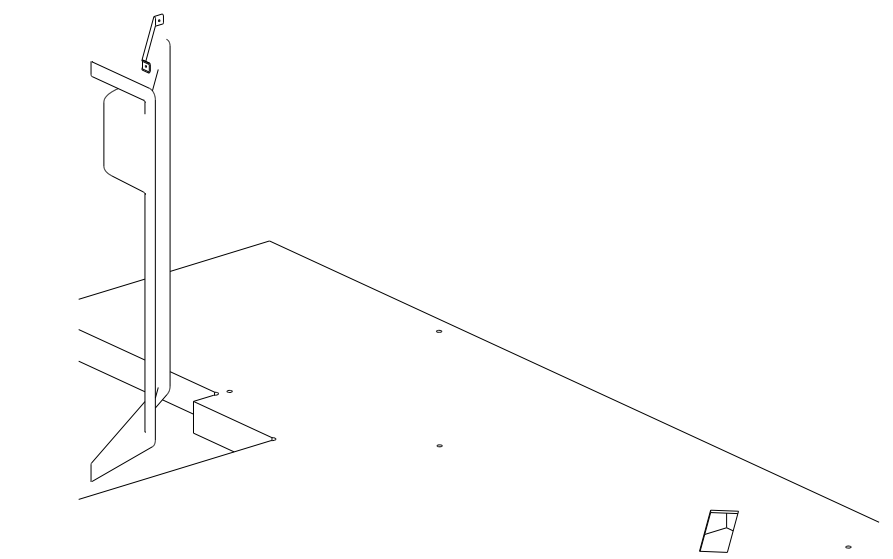
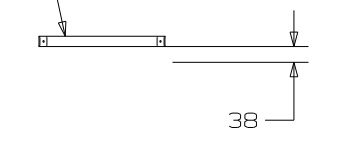
- SHOWER PAN
127586-02-CHT
- SCREW
000G11-08-12U (10)
- 000G39-08-12U (6)
- WASHER
127440-02-CHT
- COVER
166569-01-CHT (16)
- STRAINER
066440-01-000
- TAIL PIECE
011069-02-000
- NUT
130403-01-000



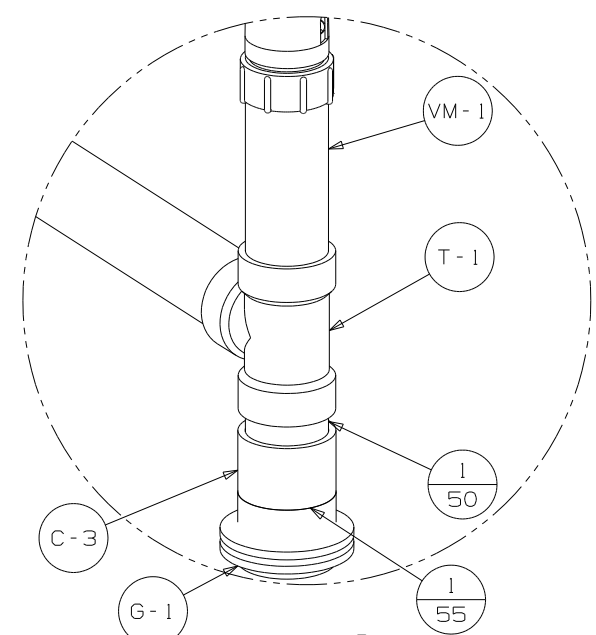
DETAIL F
(SHOWN W/OUT SHOWER PAN AND FLOOR)

- CADDY
105707-01-CHT
- SCREW
000G11-08-12U (8)
- 000G39-08-12U (8)
- COVER
166569-01-CHT (16)

- RETAINER-SHELF, SHWR
113714-02-CHT
- 000G11-08-12U
- 000G39-08-12U
- COVER
166569-01-CHT (2)

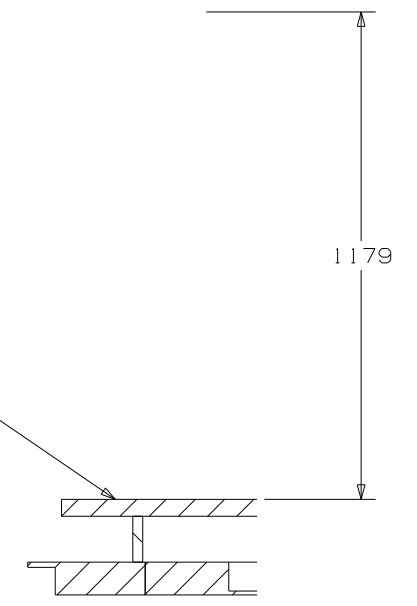


VIEW E



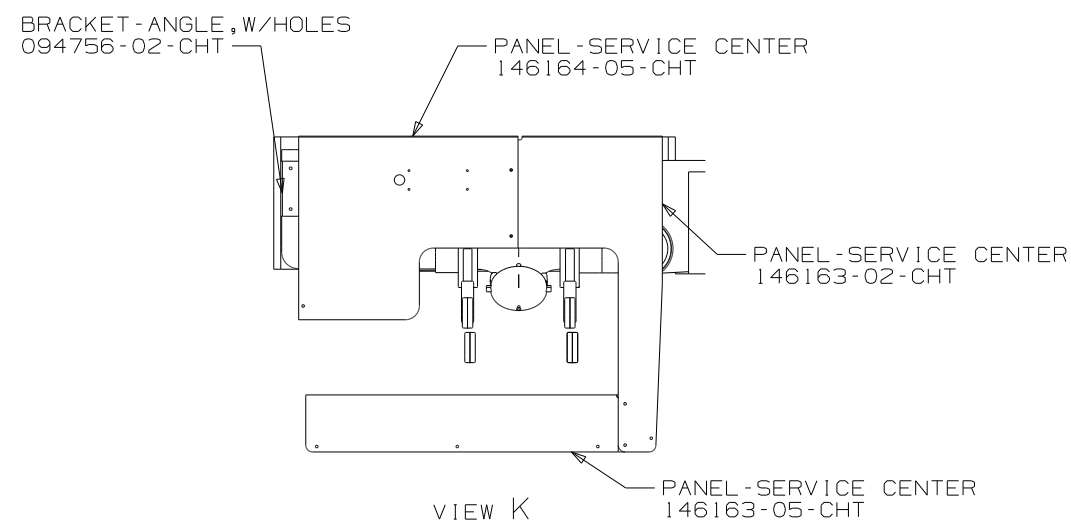
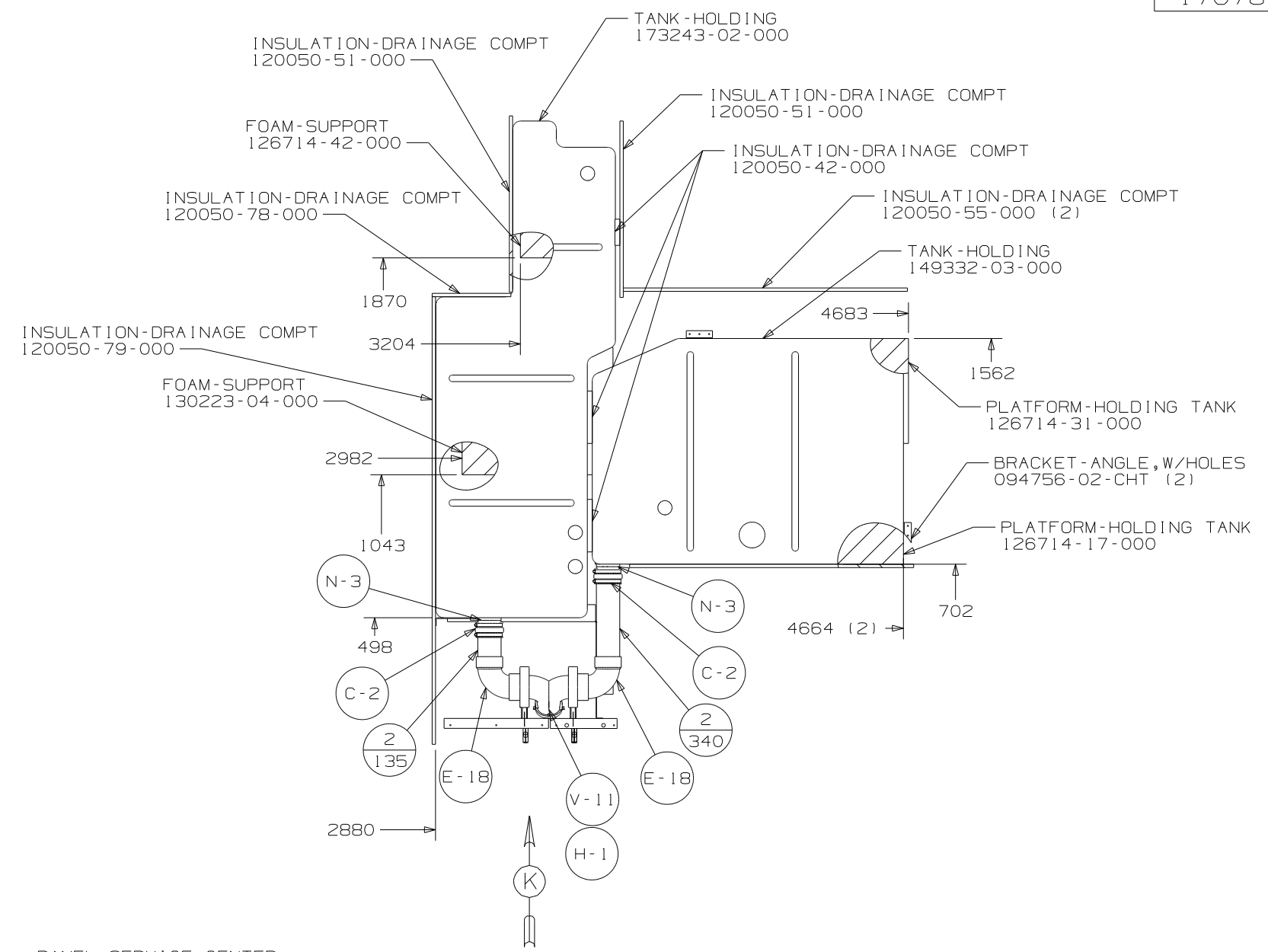
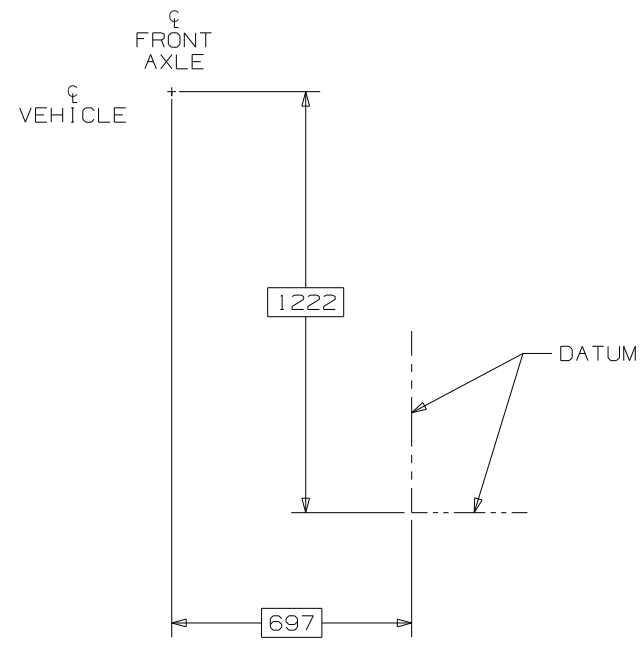
DETAIL G
(SHOWN W/OUT CABINETS AND FLOOR)

TOP OF SHOWER PLATFORM

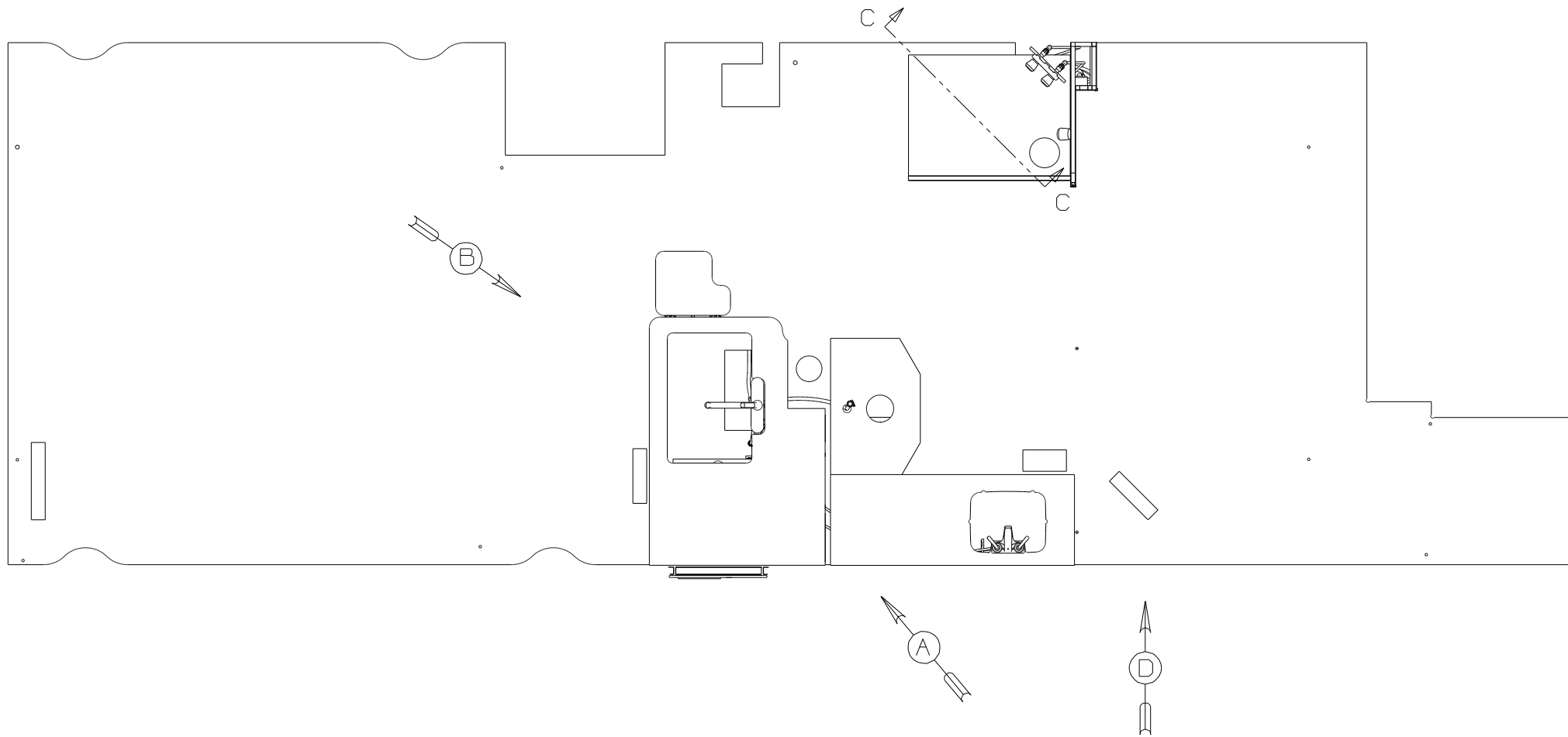


SECTION J-J

FIRST USED	11 E30W		
TITLE:	DO NOT SCALE DRAWING		
	DRAINAGE SYSTEM INSTL		
SHEET 3	PART NO	176783	REV



FIRST USED	11 E30W	
TITLE	DO NOT SCALE DRAWING	
TITLE	DRAINAGE SYSTEM INSTL	
SHEET 4	PART NO 176783	REV



- 11 CHECK VALVE IS INSTALLED TO PREVENT WATER FROM LEAVING WATER HEATER.
- 10 CHECK VALVE IS INSTALLED TO PREVENT WATER FROM ENTERING WATER HEATER.
- 9 ADD PIPE WRAP (LADDER SCRAP) INSULATION HERE.
- 8 LABEL HOT AND COLD SUPPLY TUBES.
- 7 TAPE FITTING TO TUBE BEFORE CABINET SET TO PREVENT FITTING FROM MOVING.
- 6 ADD TEFLON TAPE 10405-01-000.
- 5 ADD TEFLON TAPE 10405-02-000.
- 4 FLUSHING SYSTEM REQUIRES 125697-06-000 INSTRUCTION SHEET.

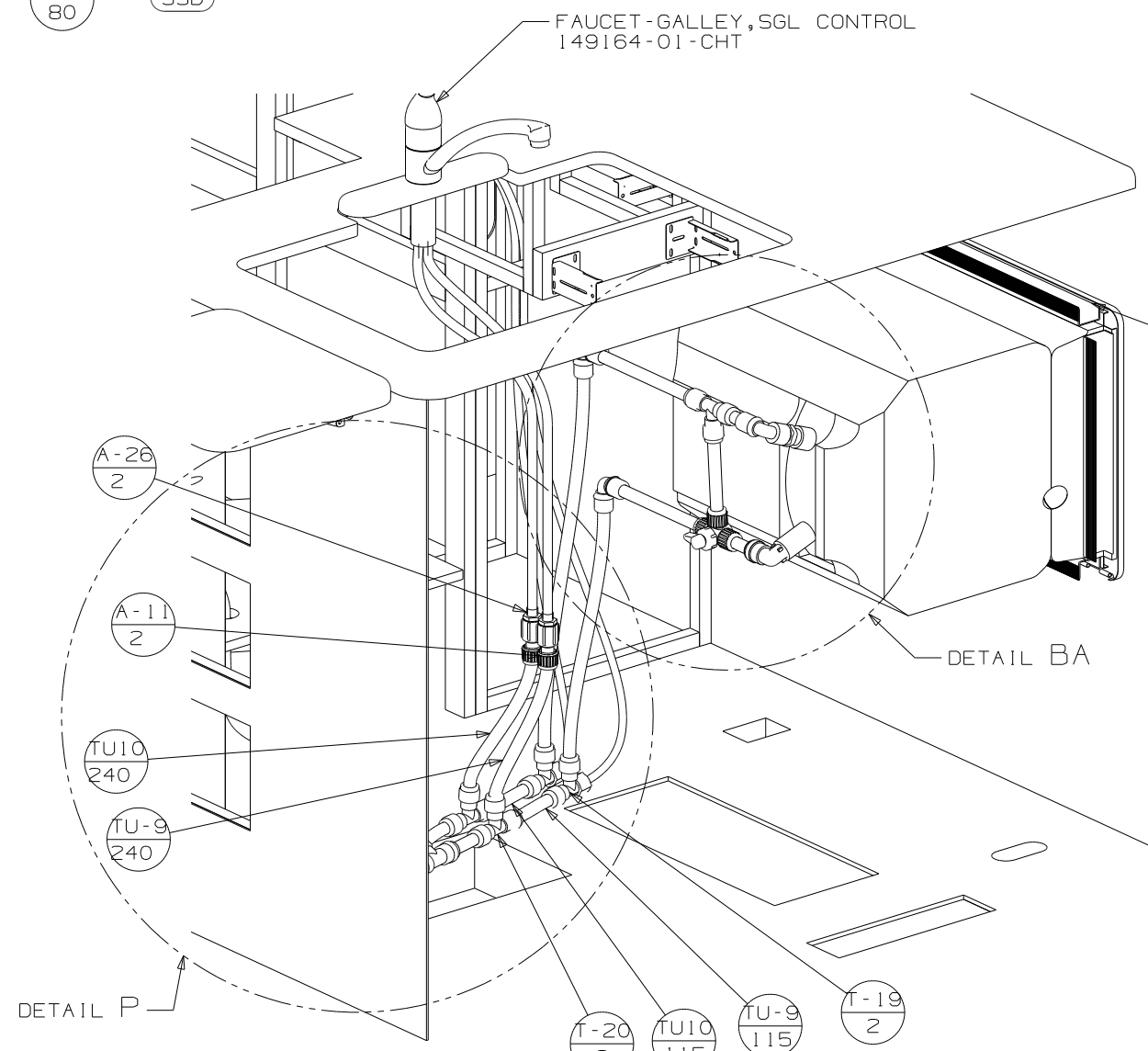
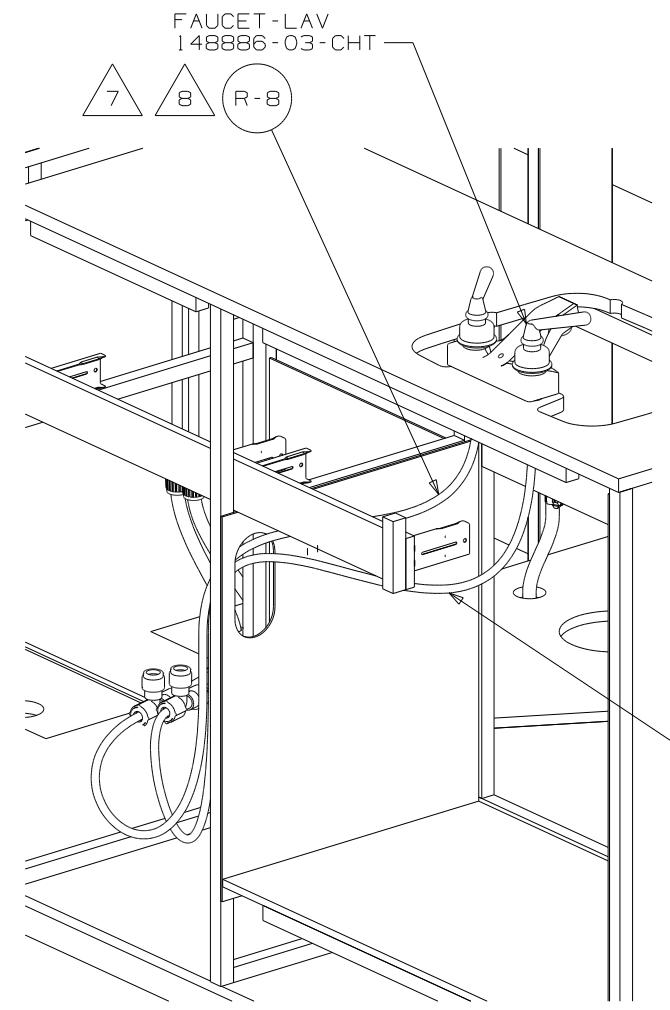
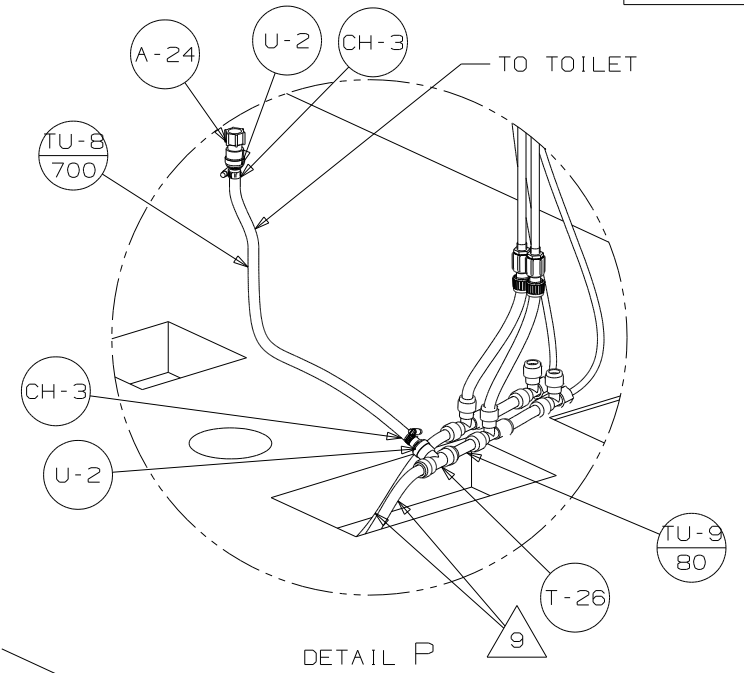
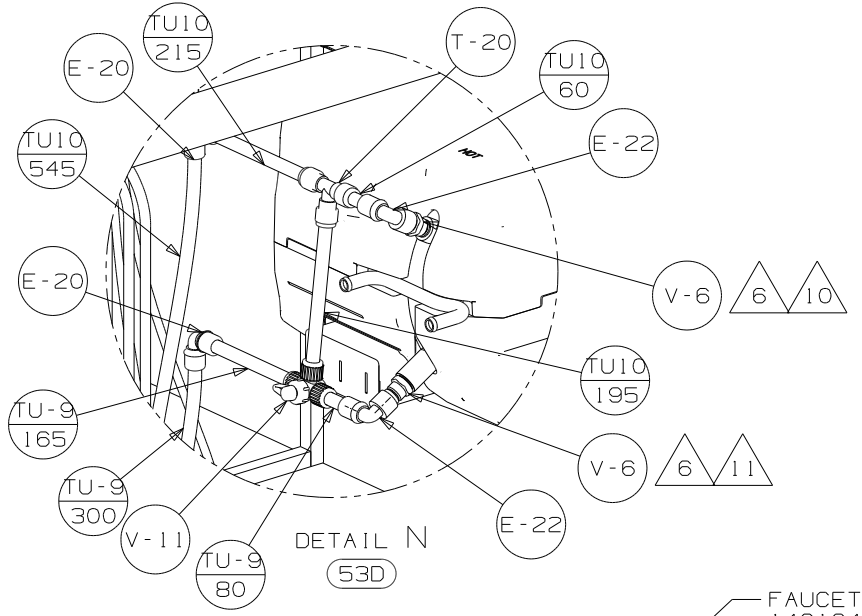
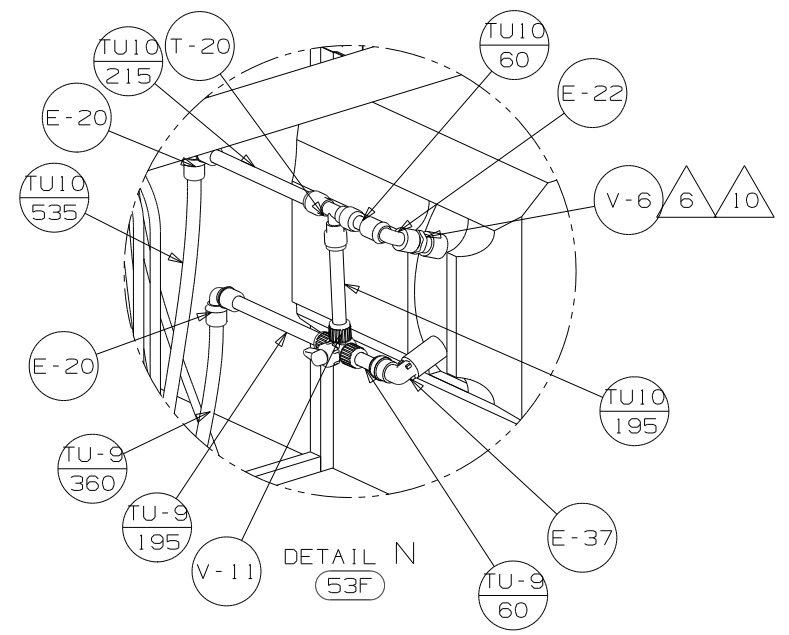
3. ALL TUBING TO BE SECURED AT 1200 INTERVALS MAXIMUM WITH CLAMP 10495-01-000 AND SCREW G67-10-12B OR EQUIVALENT.
2. TUBING TO BE INSTALLED WITH SUFFICIENT SLOPE TO PROVIDE DRAINAGE TO NEAREST VALVE.
1. PLASTIC FITTINGS TO BE SEALED WITH SEALANT 84456-01-000.

NOTES:

- 1J4 EXT WASH STATION - WITHOUT
- 64R EXTERIOR WASH STATION
- 53F WATER HEATER-ELEC. IGNITION
- 53D WTR HTR-6GAL/ELE/LP/MOTORAID

WINNEBAGO		COPYRIGHT 2011 WINNEBAGO INDUSTRIES, INC.	
D/FR	ORIG. DATE	ALL DIMENSIONS ARE IN MILLIMETERS	
CHKR		FIRST USED	
P.E.		11 E30W	
M.E.		UNSPECIFIED TOLERANCES ARE:	
DSNR		MATERIAL:	
		WHOLE DIM (X)	: 3
		ONE-PLACE (X.X)	: 1.5
		TWO-PLACE (X.XX)	: 0.50
		ANGLE	: 1°
THIRD ANGLE PROJECTION		DO NOT SCALE DRAWING REFER TO ES0018 FOR FASTENER TIGHTENING GUIDELINES	
TITLE:		WATER SYSTEM INSTL	
SHEET 1 OF 4	PART NO	176788	REV
REF:	1 2/24/2011		

(X-X)
FOR
WATER
CALLOUTS
SEE DWG NO
116230-01-000



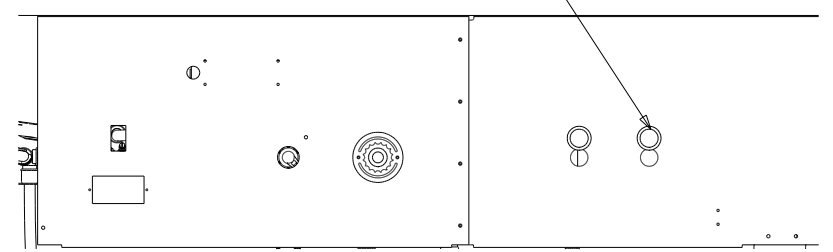
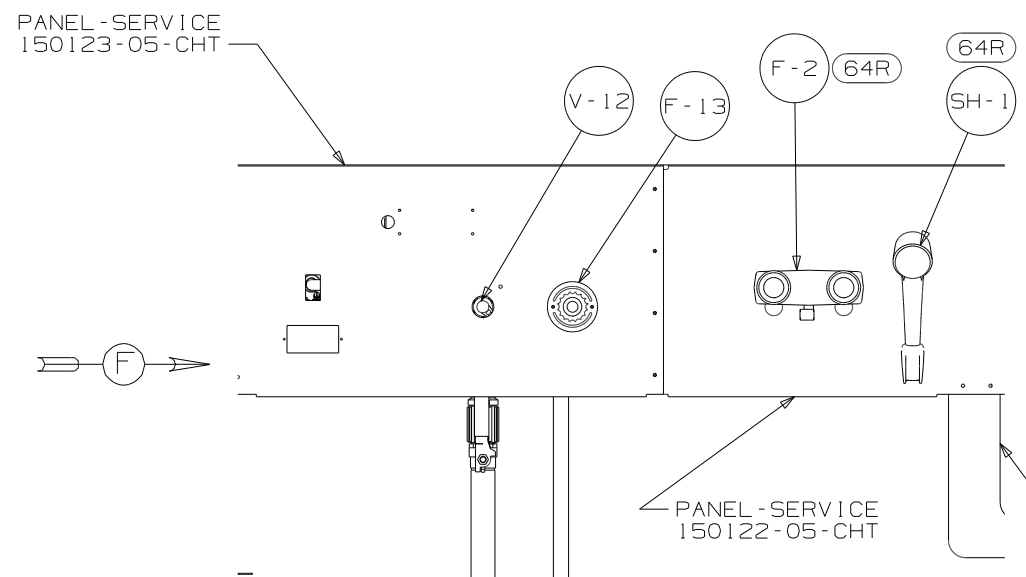
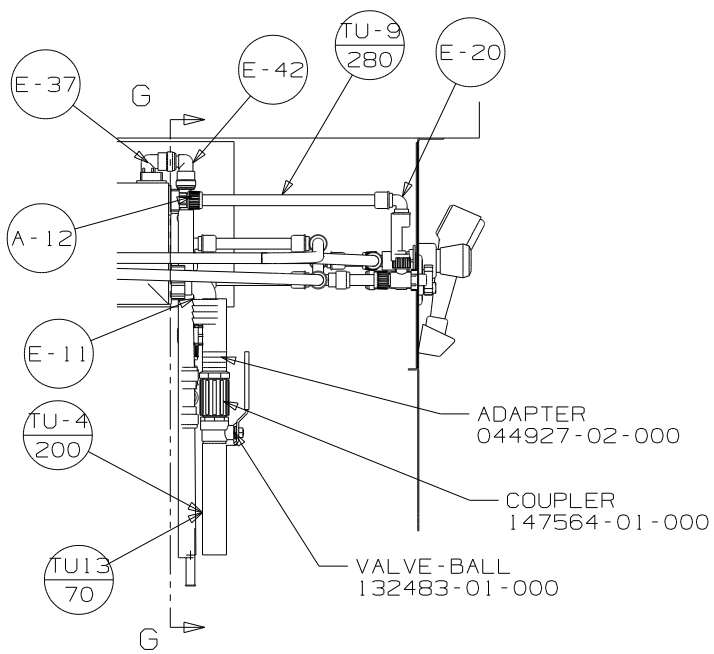
- WATER HEATER (53F)
- 051391-03-000
- 145541-02-000 (53D)
- DOOR
- 125420-06-CHT
- CABLE
- 076767-03-000
- SCREW
- 000G11-06-08B (2)
- AL EXTR
- 002726-51-018 (2)
- 002726-51-017 (2)
- SCREW
- 000G39-10-169 (18)
- SEALANT

VIEW A

VIEW B

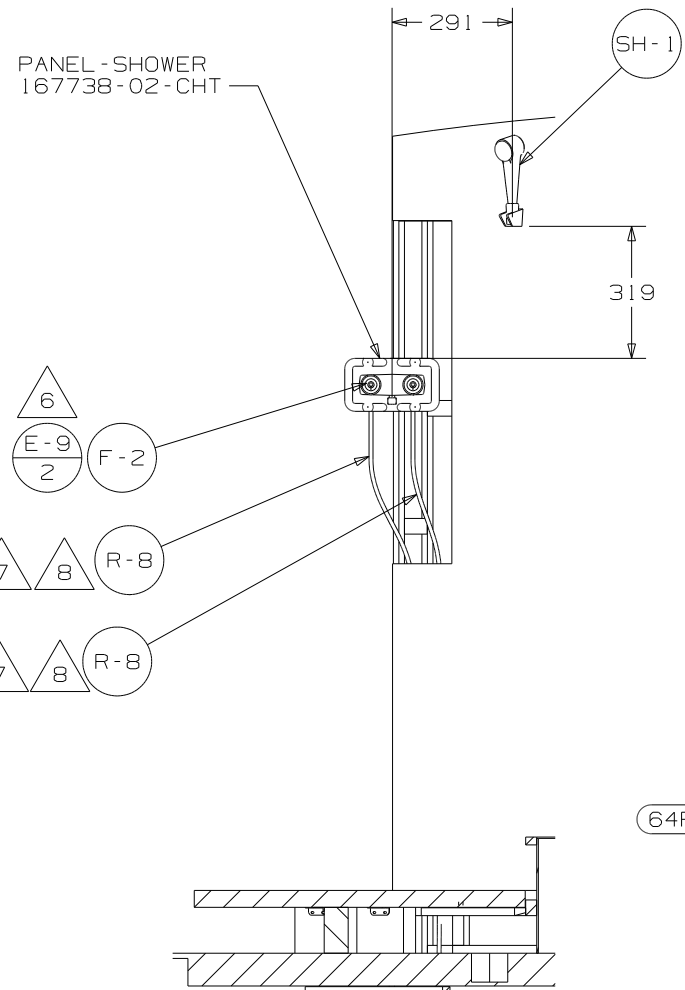
FIRST USED	11 E30W	
TITLE	DO NOT SCALE DRAWING	
	WATER SYSTEM INSTL	
SHEET 2	PART NO	176788

PLUG-PLASTIC
061420-09-000 (2)



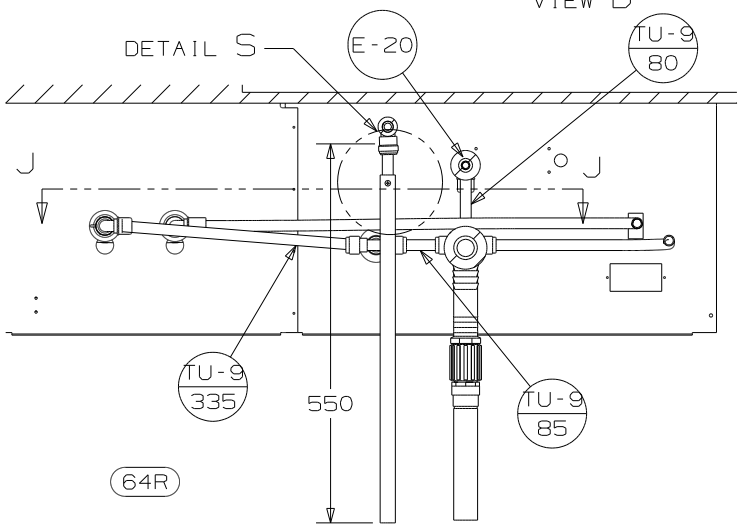
VIEW D
1J4

VIEW F

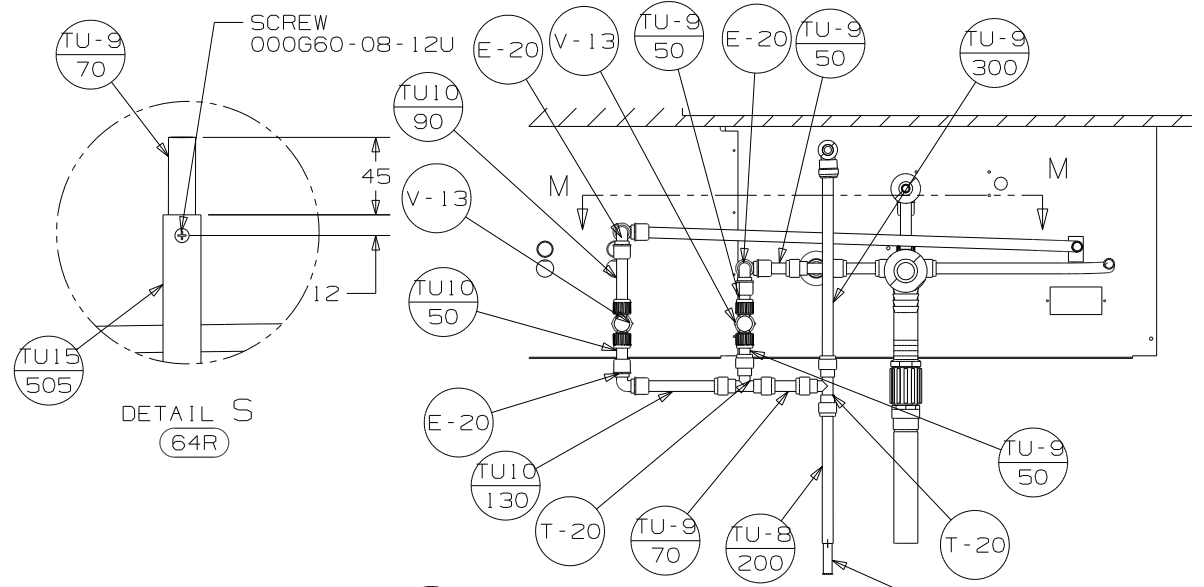


SECTION C-C

VIEW D

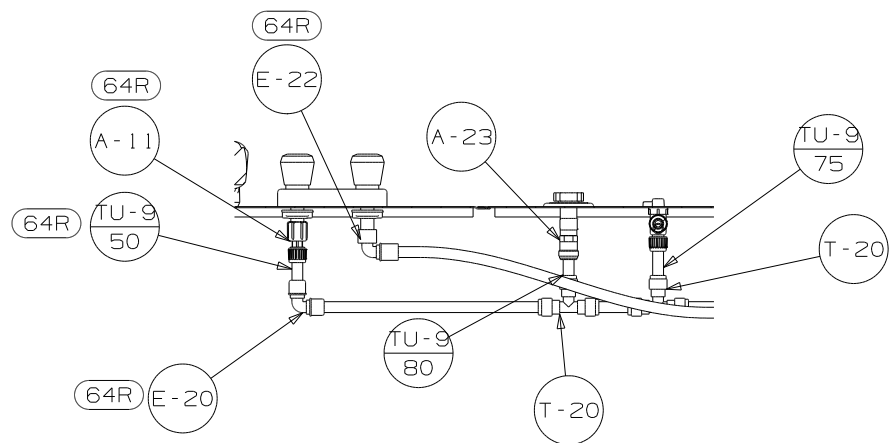


SECTION G-G

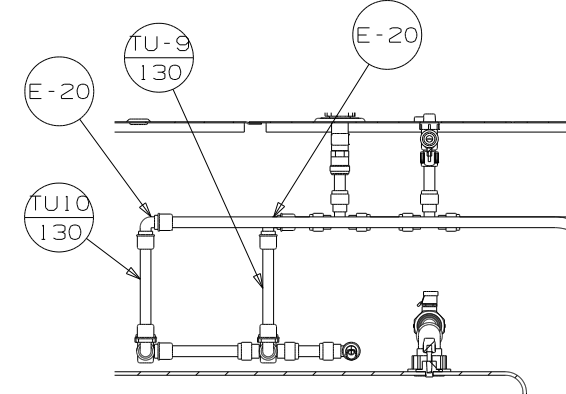


DETAIL S
64R

SECTION G-G
1J4



SECTION J-J



SECTION M-M
1J4

FIRST USED	11 E30W
TITLE:	DO NOT SCALE DRAWING
	WATER SYSTEM INSTL
SHEET 3	PART NO 176788 REV

