

FRONT
OF
COACH

- (B1) CODES/STANDARDS USA
- (265) CODES/STANDARDS - CSA/CMVSS

- 9 VALVE TERMINATION TEE TO BE POSITIONED AT 10° DOWN AND OUTBOARD.
- 8 SECURE PIPES TO CABINET USING WIRE TIE 108046-02-000, AND SCREW 000667-10-12B.
- 7 SECURE VENT TUBES TO FLOOR WITH CLAMP 062401-02-000 (1), SCREW 000667-10-12B (2), BRACKET 136878-01-CHT (1).
- 6 VENT PIPE MUST PROJECT 51 MIN AND 64 MAX ABOVE ROOF FOR PROPER FIT AND FUNCTION.
- 5. SEAL AROUND SHOWER WITH SILICONE.
- 4 USE SMOOTH PLUMBERS PUTTY 167459-01-000 TO SEAL STRAINER (.2 PER STRAINER).
- 3. ALL PIPE AND FITTINGS TO BE ASSEMBLED WITH SOLVENT 004020-01-000 (USA), 004020-02-000 (CAN)
- 2. SLOPE OF TRAP ARM MUST BE 6 PER 305 mm.
- 1. SLOPE OF HORIZONTAL PIPING TO BE MIN 3 PER 305 mm.

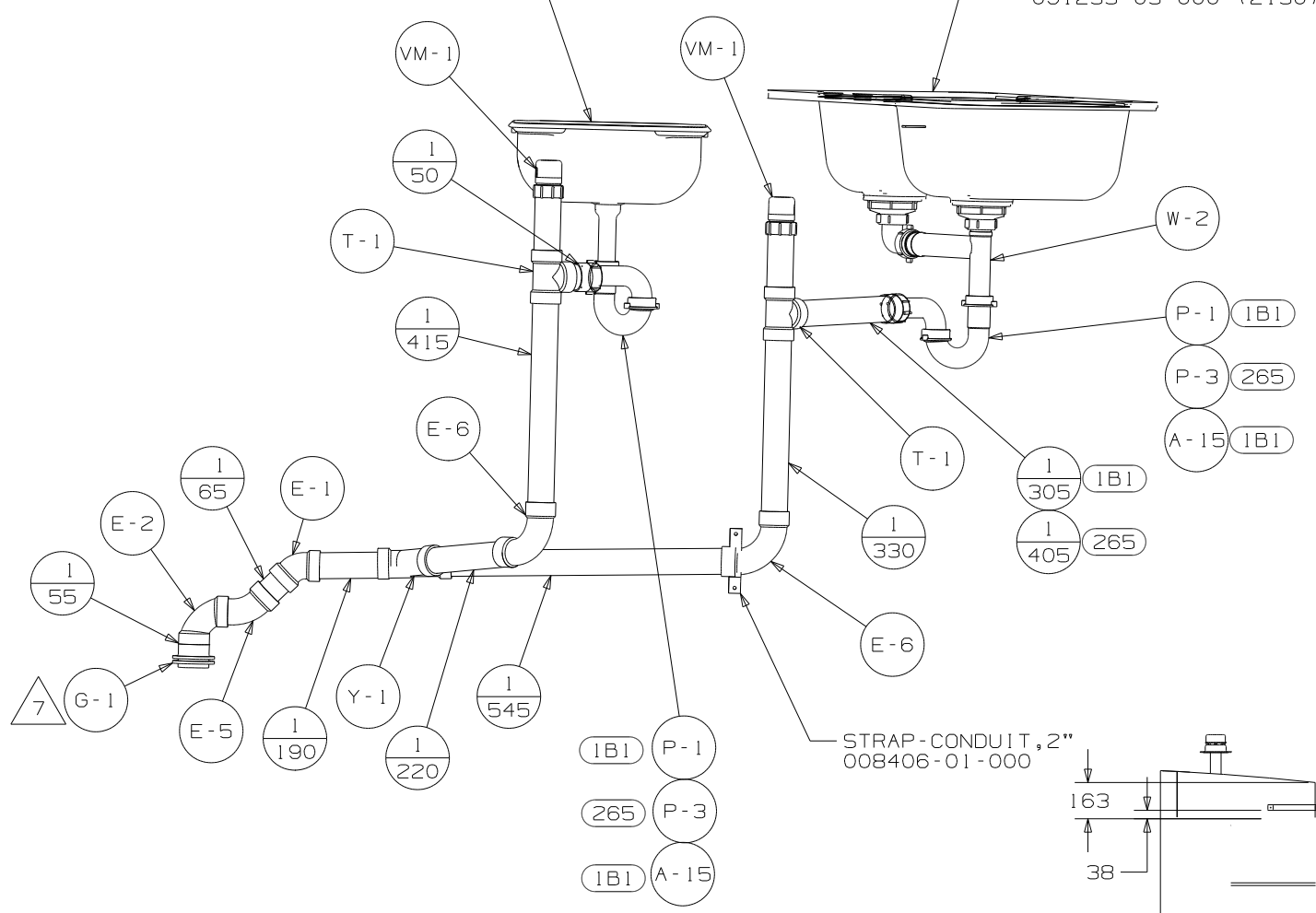
NOTES:

WINNEBAGO		COPYRIGHT 2011 WINNEBAGO INDUSTRIES, INC.	
DFT	ORIG. DATE	ALL DIMENSIONS ARE IN MILLIMETERS	
CHKR			
P.E.			
M.E.	FIRST USED		
DSNR		11 E26P	
UNSPECIFIED TOLERANCES ARE:		MATERIAL:	
WHOLE DIM (X)	: 3		
ONE-PLACE (X.X)	: 1.5		
TWO-PLACE (X.XX)	: 0.50		
ANGLE	: 1°		
THIRD ANGLE PROJECTION			
DO NOT SCALE DRAWING		REFER TO ES0018 FOR FASTENER TIGHTENING GUIDELINES	
TITLE: DRAINAGE SYSTEM INSTL			
SHEET 1 OF 4	PART NO	175212	REV

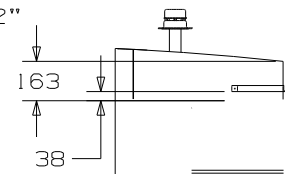
(X-X)
FOR
DRAINAGE
CALLOUTS
SEE DWG NO
116229-01-000

SINK-LAVATORY
096927-01-CHT
SEAL
091255-02-000 (A/R)

SINK-SMC, DBL L/S BASIN
163942-03-CHT (US/CAN)
STRAINER
092303-01-000 (2)
BRACKET AND SCREWS
(SUPPLIED WITH SINK)
SEAL
091255-03-000 (2130)

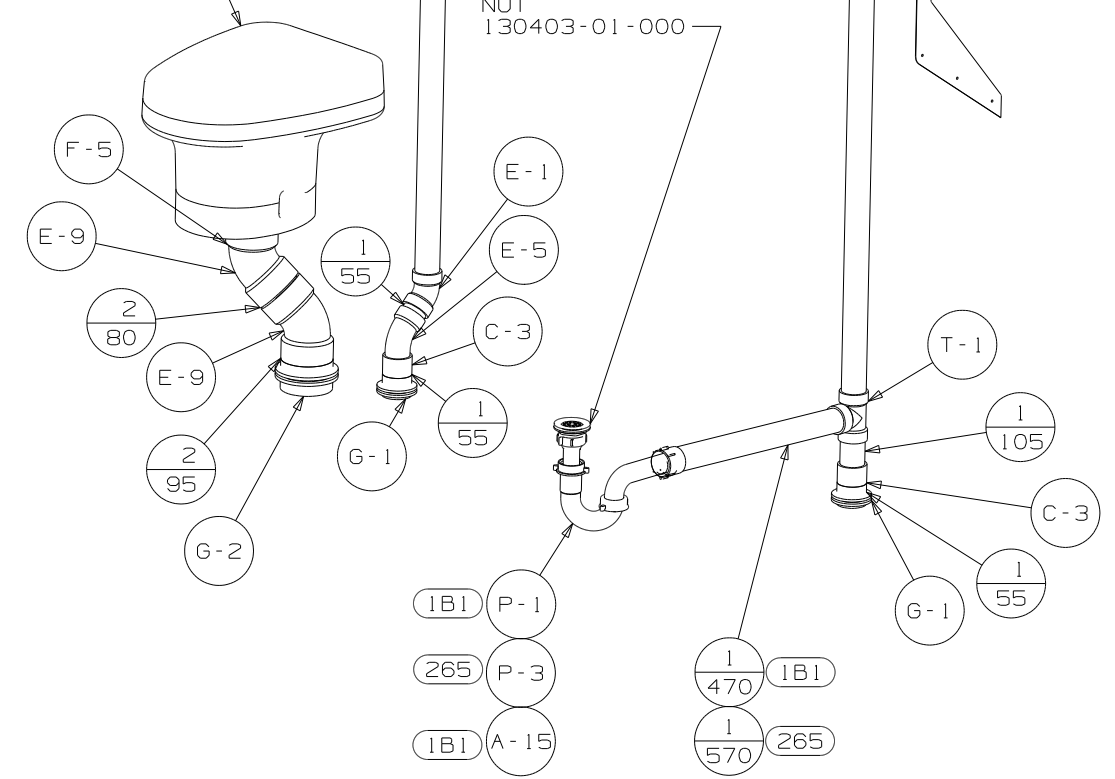


VIEW A



VIEW B

TOILET-AM 5,HIGH,W/O SPRAYER
147421-05-CHT



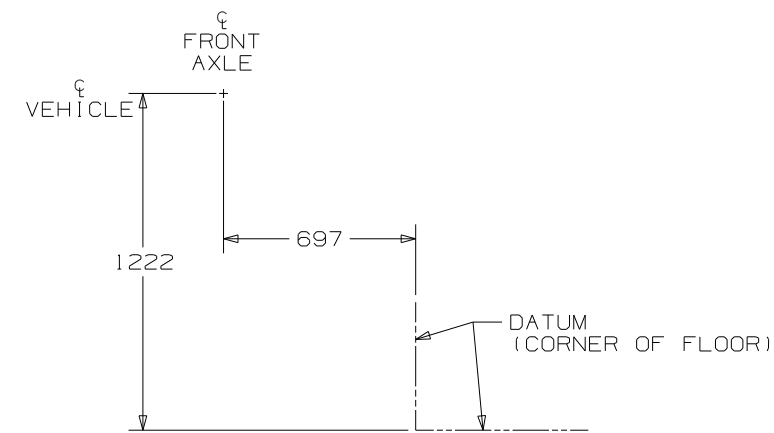
VIEW C

SHOWER PAN
127586-02-CHT
SCREW
000G11-08-12U (10)
000G39-08-12U (6)
STRAINER
066440-01-000
SEALER
069640-01-000
WASHER-RUBBER
127440-02-CHT
TAILPIECE
011069-02-000
NUT
130403-01-000

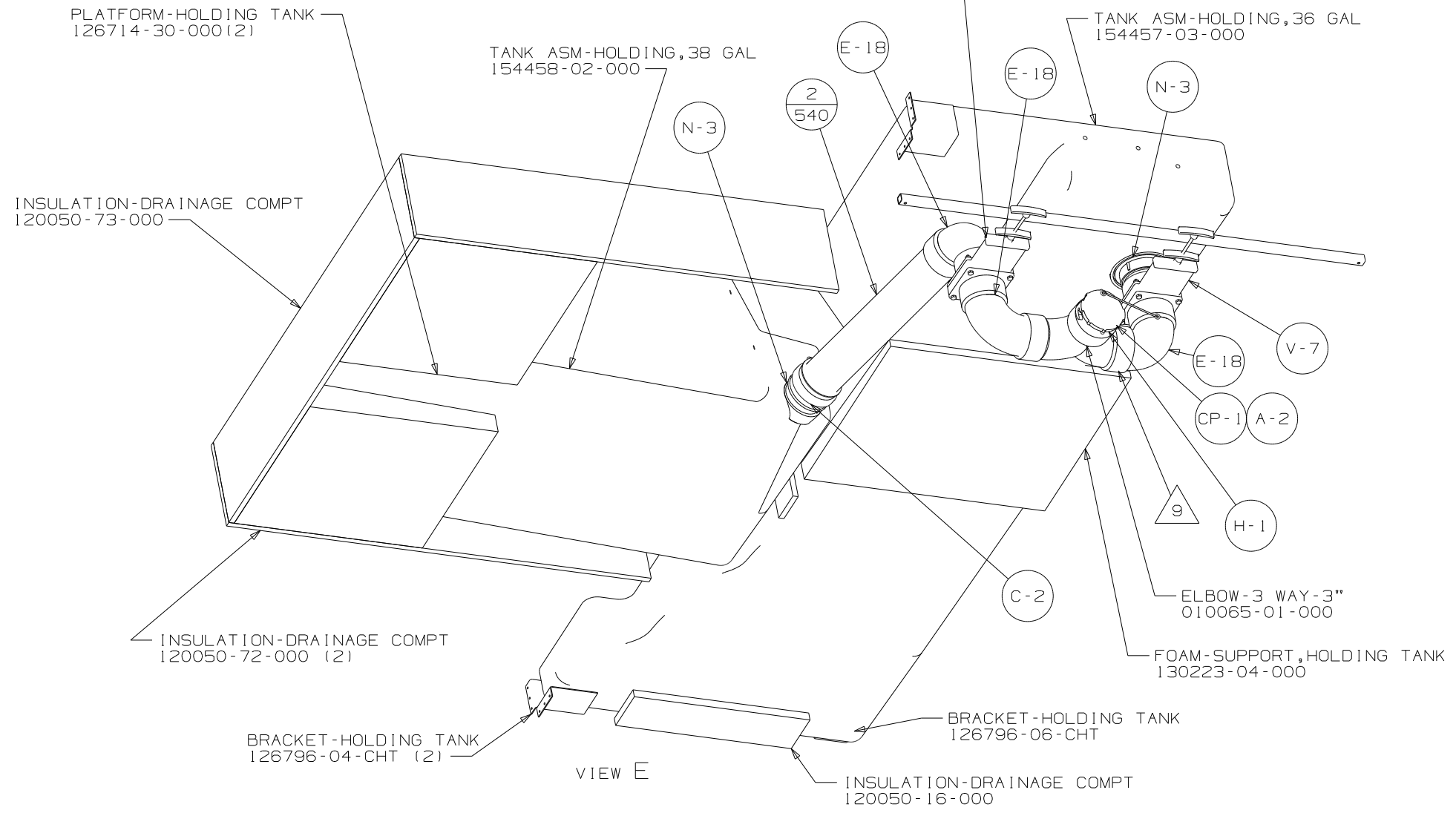
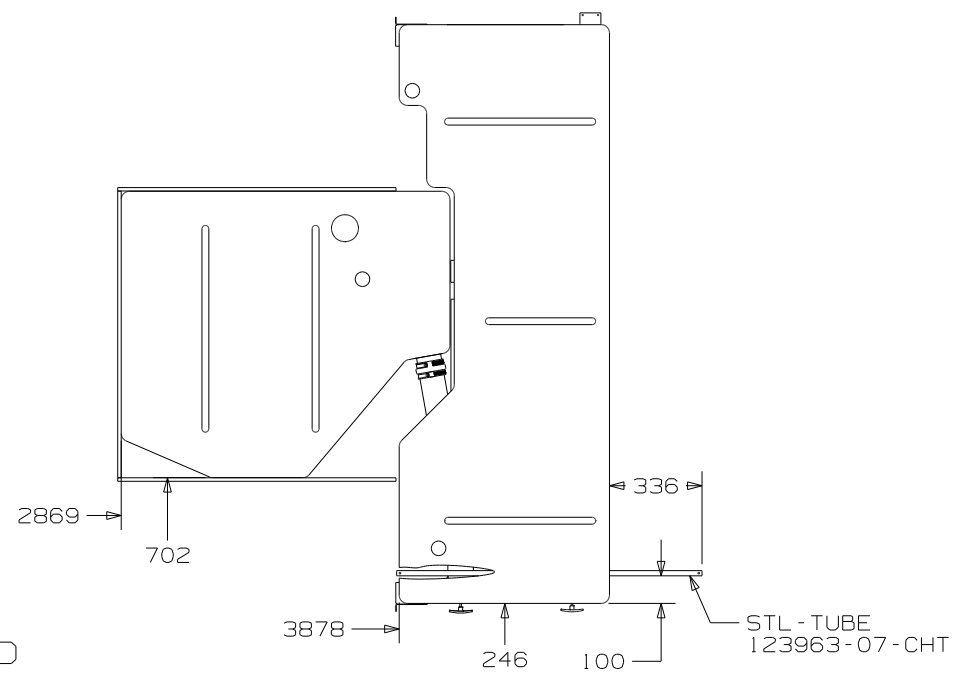
RETAINER-SHELF-SHWR
113714-02-CHT
000G11-08-12U
000G39-08-12U
COVER
166569-01-CHT (2)

CADDY
105707-01-CHT
SCREW
000G11-08-12U (8)
000G39-08-12U (8)
COVER
166569-01-CHT (16)

FIRST USED	11 E26P
TITLE	DO NOT SCALE DRAWING
TITLE	DRAINAGE SYSTEM INSTL
SHEET 2	PART NO 175212 REV

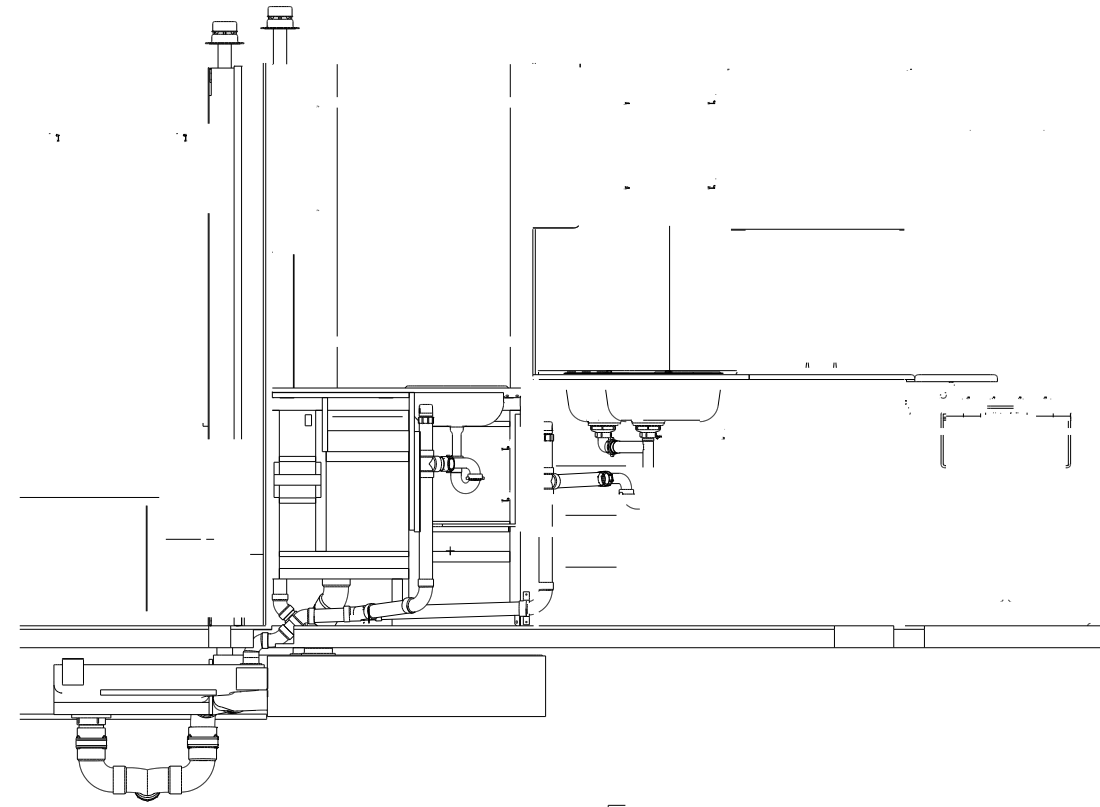


VIEW D

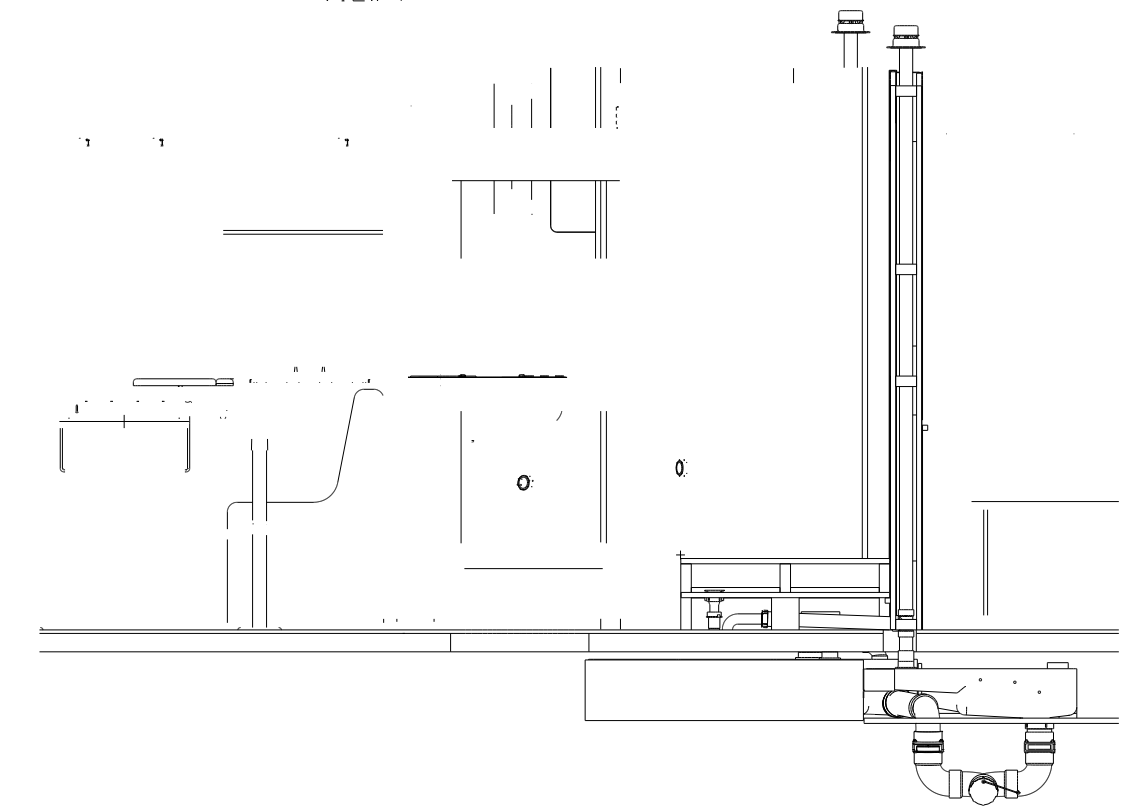


VIEW E

FIRST USED	11 E26P	
TITLE	DRAINAGE SYSTEM INSTL	
SHEET 3	PART NO 175212	REV

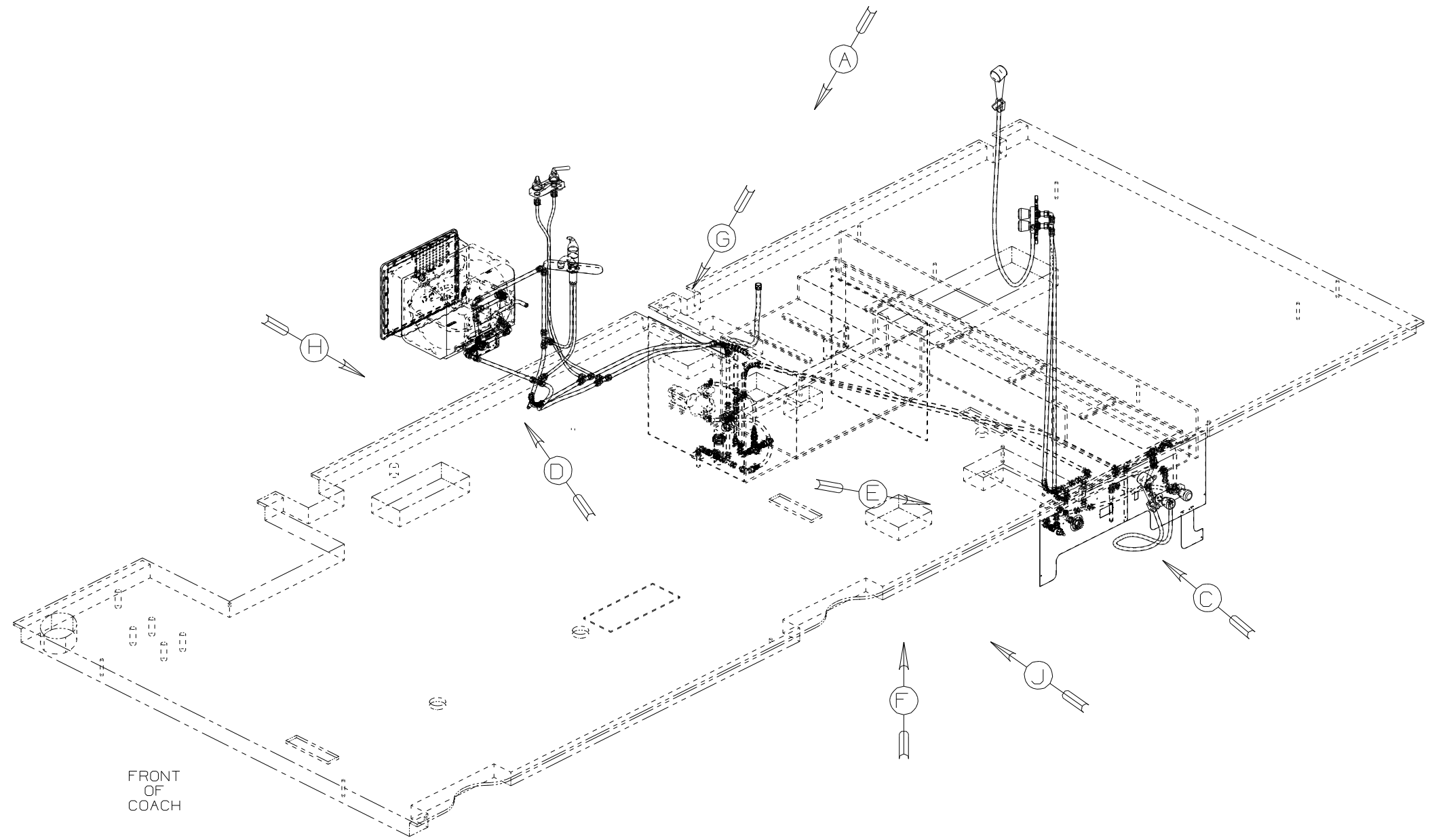


VIEW F



VIEW G

FIRST USED	11 E26P	
TITLE	DO NOT SCALE DRAWING	
	DRAINAGE SYSTEM INSTL	
SHEET 4	PART NO 175212	REV



- (53D) WTR HTR-6GAL/ELE/LP/MOTORAID
- (64R) EXTERIOR WASH STATION
- (1J4) EXT WASH STATION - WITHOUT
- (53F) WATER HEATER-ELEC. IGNITION

- NOTES:
- △6 ADD PIPE WRAP (LADDER SCRAP 110157-02) INSULATION HERE.
 - △5 ADD TEFLON TAPE 010405-01-000.
 - △4 ADD TEFLON TAPE 010405-02-000.
 - 3. ALL TUBING TO BE SECURED AT 1200 INTERVALS MAXIMUM WITH CLAMP 010495-01-000 AND SCREW 000G67-10-12B OR EQUIVALENT.
 - 2. TUBING TO BE INSTALLED WITH SUFFICIENT SLOPE TO PROVIDE DRAINAGE TO NEAREST VALVE.
 - 1. PLASTIC FITTINGS TO BE SEALED WITH SEALANT 084456-01-000.

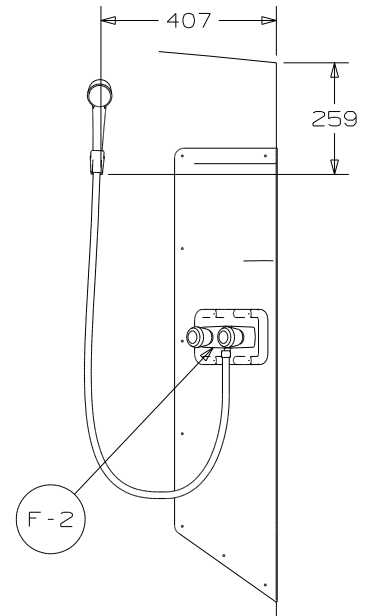
WINNEBAGO		COPYRIGHT 2010 WINNEBAGO INDUSTRIES, INC.	
DFTR	ORIG. DATE	ALL DIMENSIONS ARE IN MILLIMETERS	
CHKR		FIRST USED	
P.E.		11 E26P	
M.E.		UNSPECIFIED TOLERANCES ARE:	
DSNR		MATERIAL:	
		WHOLE DIM (X)	: 3
		ONE-PLACE (X.X)	: 1.5
		TWO-PLACE (X.XX)	: 0.50
		ANGLE	: 1°
THIRD ANGLE PROJECTION		DO NOT SCALE DRAWING REFER TO ES0018 FOR FASTENER TIGHTENING GUIDELINES	
TITLE: WATER SYSTEM INSTL			
SHEET 1 OF 5	PART NO	175224	REV
REF:	11/30/2010		

(X-X)
FOR
WATER
CALLOUTS
SEE DWG NO
116230-01-000

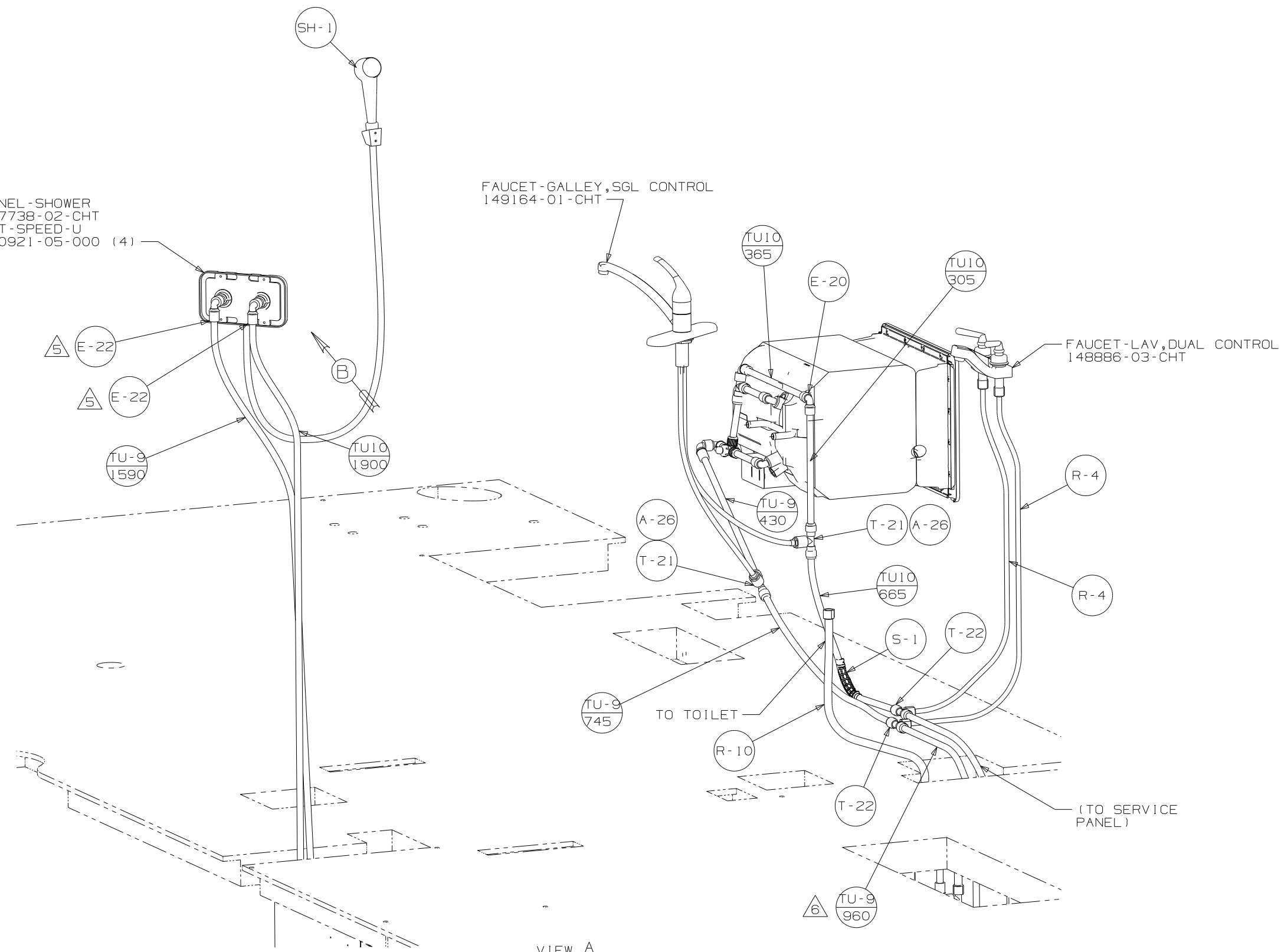
PANEL - SHOWER
167738-02-CHT
NUT - SPEED - U
040921-05-000 (4)

FAUCET - GALLEY, SGL CONTROL
149164-01-CHT

FAUCET - LAV, DUAL CONTROL
148886-03-CHT



VIEW B



VIEW A

FIRST USED	11 E26P	
TITLE:	DO NOT SCALE DRAWING	
SHEET 2	PART NO	175224
	REV	11/30/2010

8

7

6

5

4

3

2

1

D

D

C

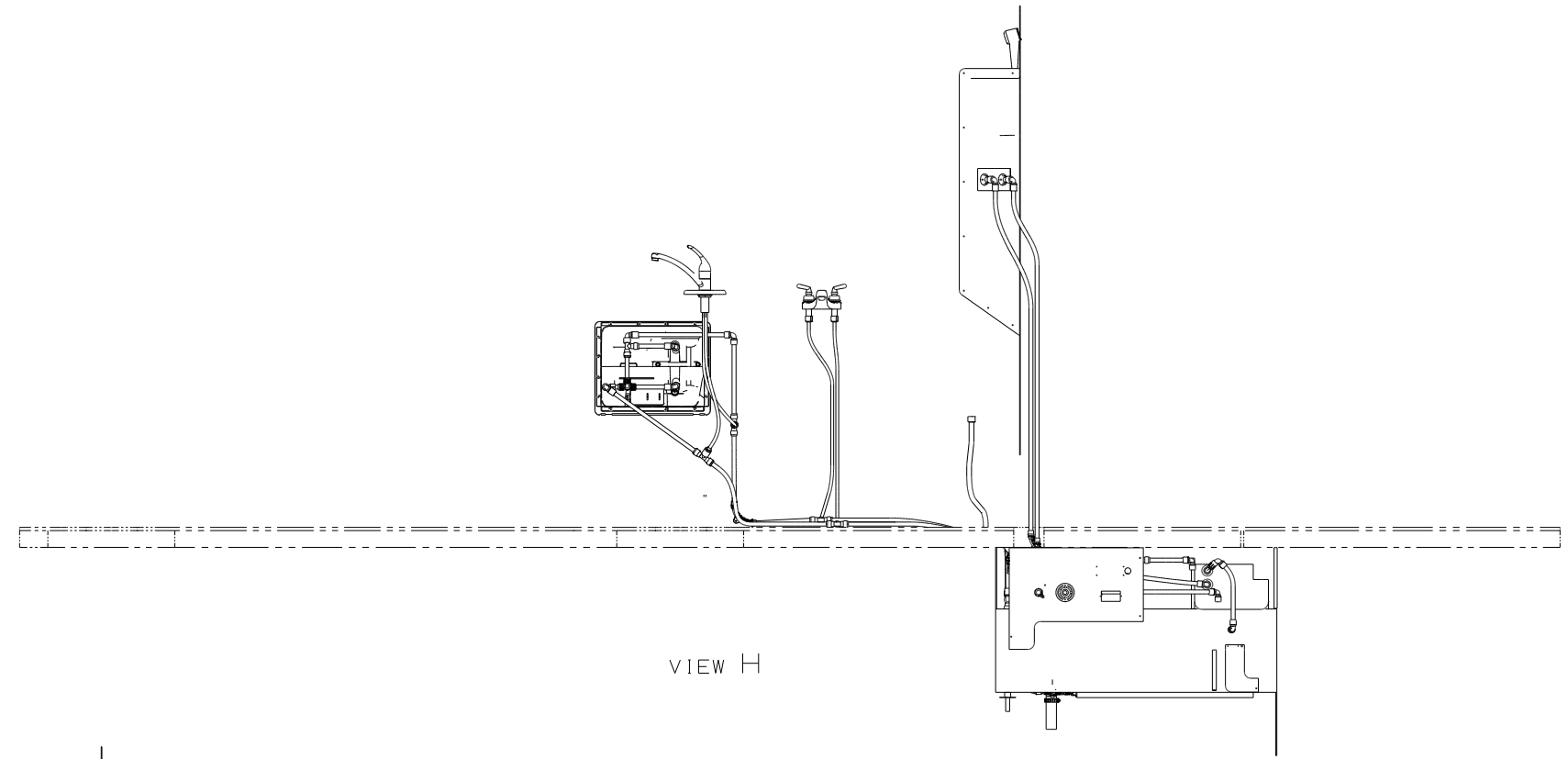
C

B

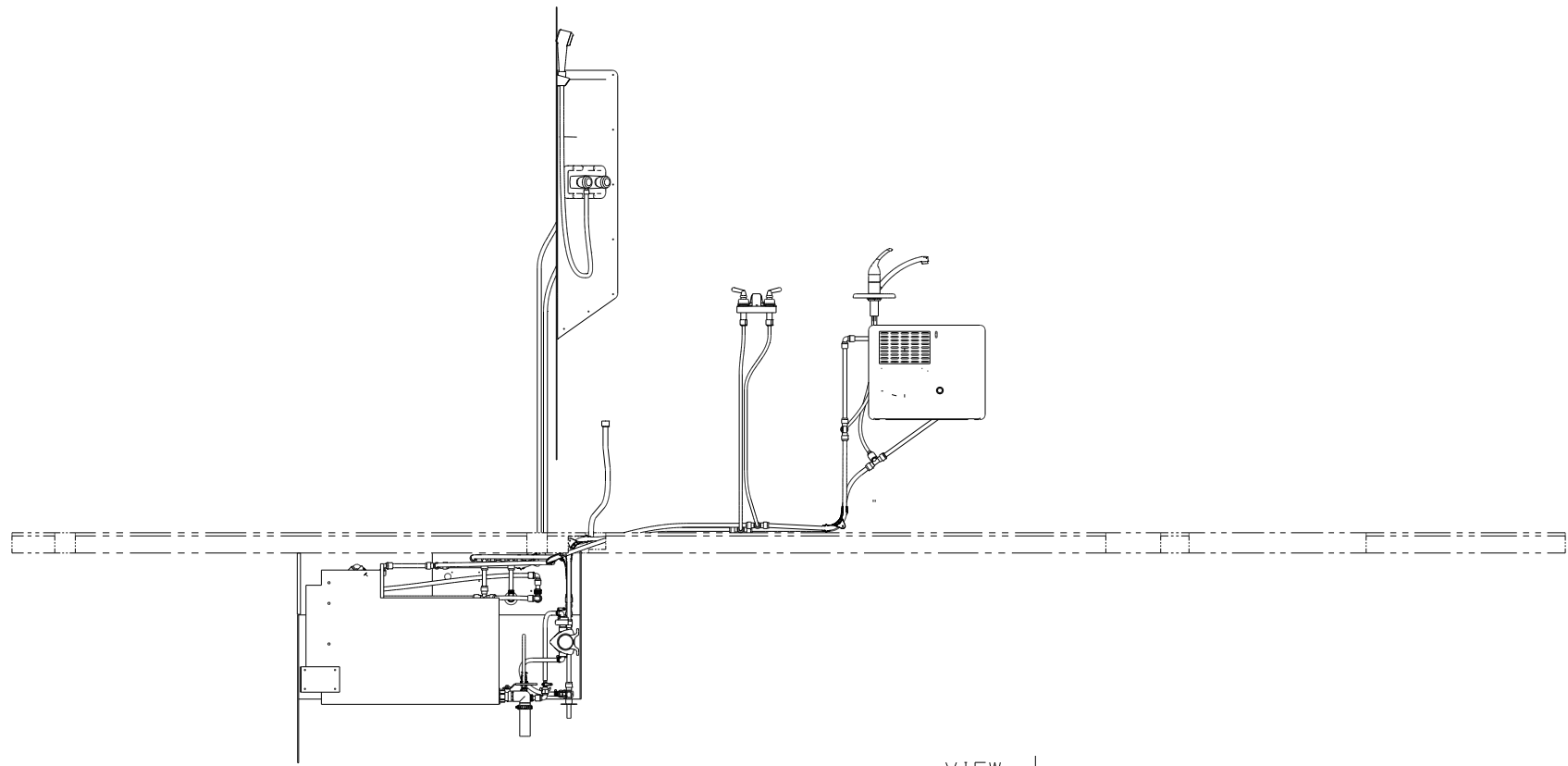
B

A

A



VIEW H



VIEW J

FIRST USED	11 E26P	
TITLE	DO NOT SCALE DRAWING	
TITLE	WATER SYSTEM INSTL	
SHEET 5	PART NO 175224	REV

8

7

6

5

4

3

2

1

