

8. USE SMOOTH PLUMBER'S PUTTY 167459-0-000 TO SEAL STRAINER(.2 PER STAINER).
7. SECURE VENT PIPE TO FLOOR WITH CLAMP 062401-02-000 (2),SCREW 000G67-10-12B (2), BRACKET 136878-01-CHT (2).
6. VENT PIPE MUST PROJECT 51 MIN AND 64 MAX ABOVE ROOF FOR PROPER FIT AND FUNCTION.
ADD S-1 (116666-01-CHT SEAL-VENT PIPE) AROUND PIPE ON ROOF BEFORE VENT CAP IS INSTALLED.
5. SEAL AROUND SHOWER WITH SILICONE.
4. SECURE DRAINAGE PIPES TO CABINET USING WIRE TIE 108046-02-000, AND SCREW 000G67-10-12B AT INTERVALS OF NOT MORE THAN 4 FEET APART.
3. ALL PIPE AND FITTINGS TO BE ASSEMBLED WITH SOLVENT 004020-01-000 (USA), 004020-02-000 (CAN)
2. SLOPE OF TRAP ARM MUST BE 6 PER 305 mm.
1. SLOPE OF HORIZONTAL PIPING TO BE MINIMUM OF 3 PER 305 mm.

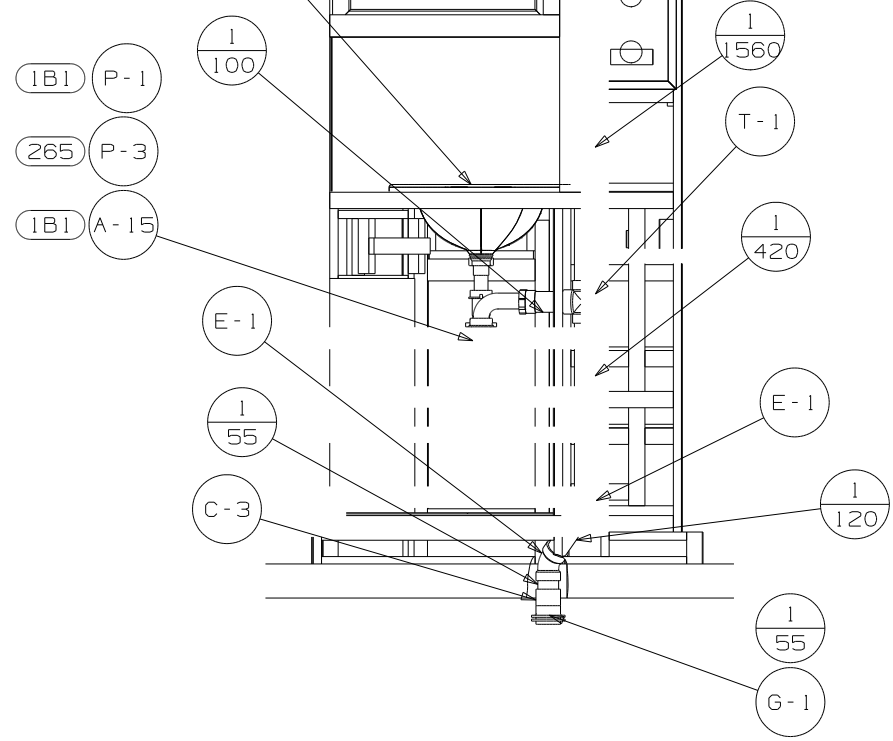
NOTES:

WINNEBAGO		COPYRIGHT 2010 WINNEBAGO INDUSTRIES, INC.	
DFTR	ORIG. DATE	ALL DIMENSIONS ARE IN MILLIMETERS	
CHKR		FIRST USED	
P.E.		11 D37L	
M.E.		UNSPECIFIED TOLERANCES ARE:	
DSNR		MATERIAL:	
		WHOLE DIM (X)	: 3
		ONE-PLACE (X,X)	: 1.5
		TWO-PLACE (X,XX)	: 0.50
		ANGLE	: 1°
THIRD ANGLE PROJECTION		DO NOT SCALE DRAWING REFER TO ES0018 FOR FASTENER TIGHTENING GUIDELINES	
TITLE: DRAINAGE SYSTEM INSTL		SHEET 1 OF 3 PART NO 176889 REV	
REF:		11/29/2010	

FOR
DRAINAGE
CALLOUTS
SEE DWG NO
116229-01-000

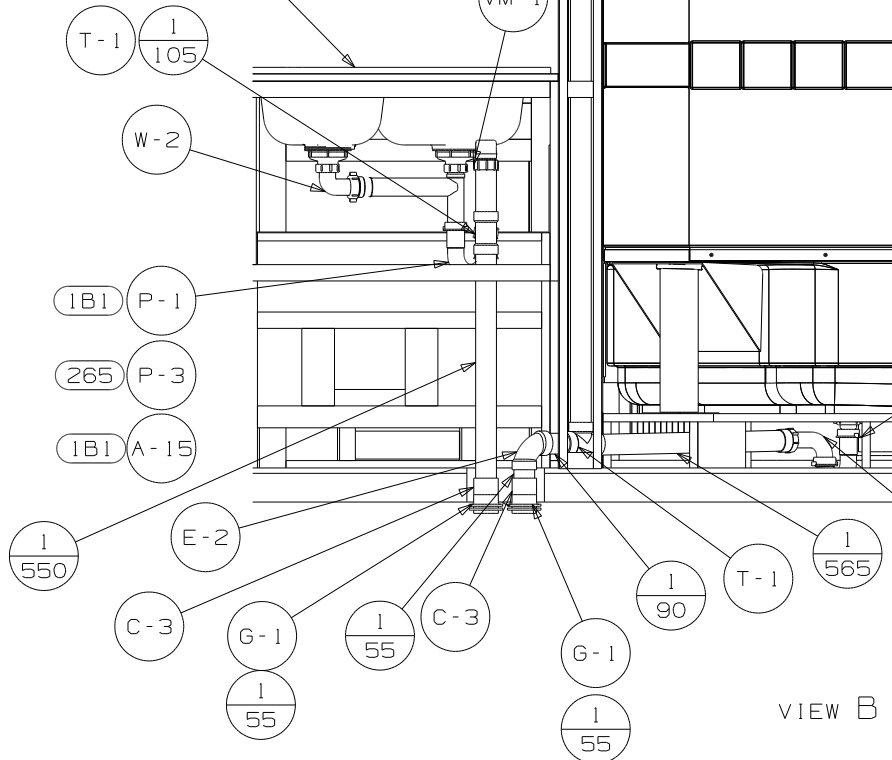


SINK-LAV
 164615-01-CHT
 TAILPIECE
 106116-01-CHT
 GASKET
 106116-02-CHT
 SCREW
 667-08-10U (4)



VIEW A

SINK-GALLEY
 163942-03-CHT
 STRAINER
 092303-01-000 (2)
 BRACKET AND SCREWS
 (SUPPLIED W/SINK)
 SEAL
 091255-03-000
 (2130)



VIEW B

SHOWER INSTL-ENCLOSURE
 166788-06-000
 SEALER
 069640-01-000
 WASHER-RUBBER
 127440-02-CHT
 TAILPIECE
 011069-06-000
 NUT
 130403-01-000
 STRAINER
 066440-01-000

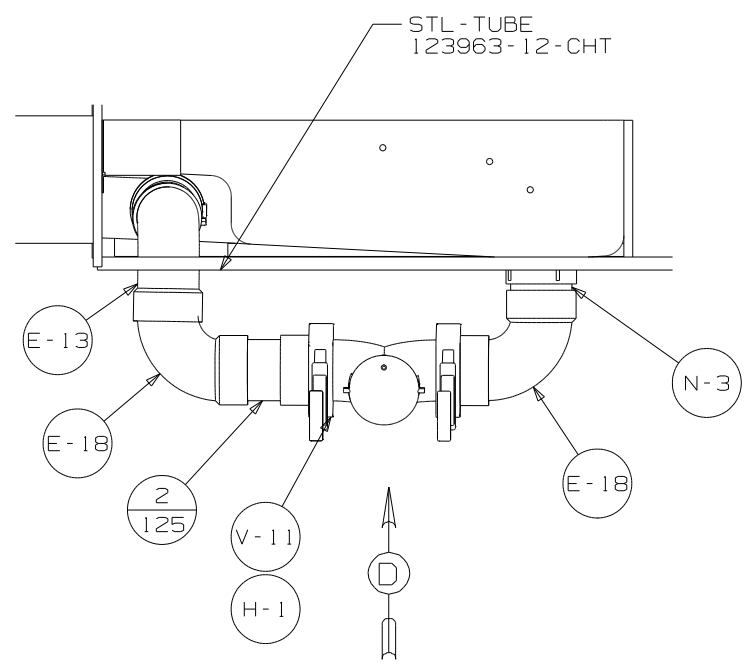
TOILET
 147421-06-CHT
 SCREW
 87721-01-000 (6)

ADAPTER-DUCT
 143289-01-000 (F-3)

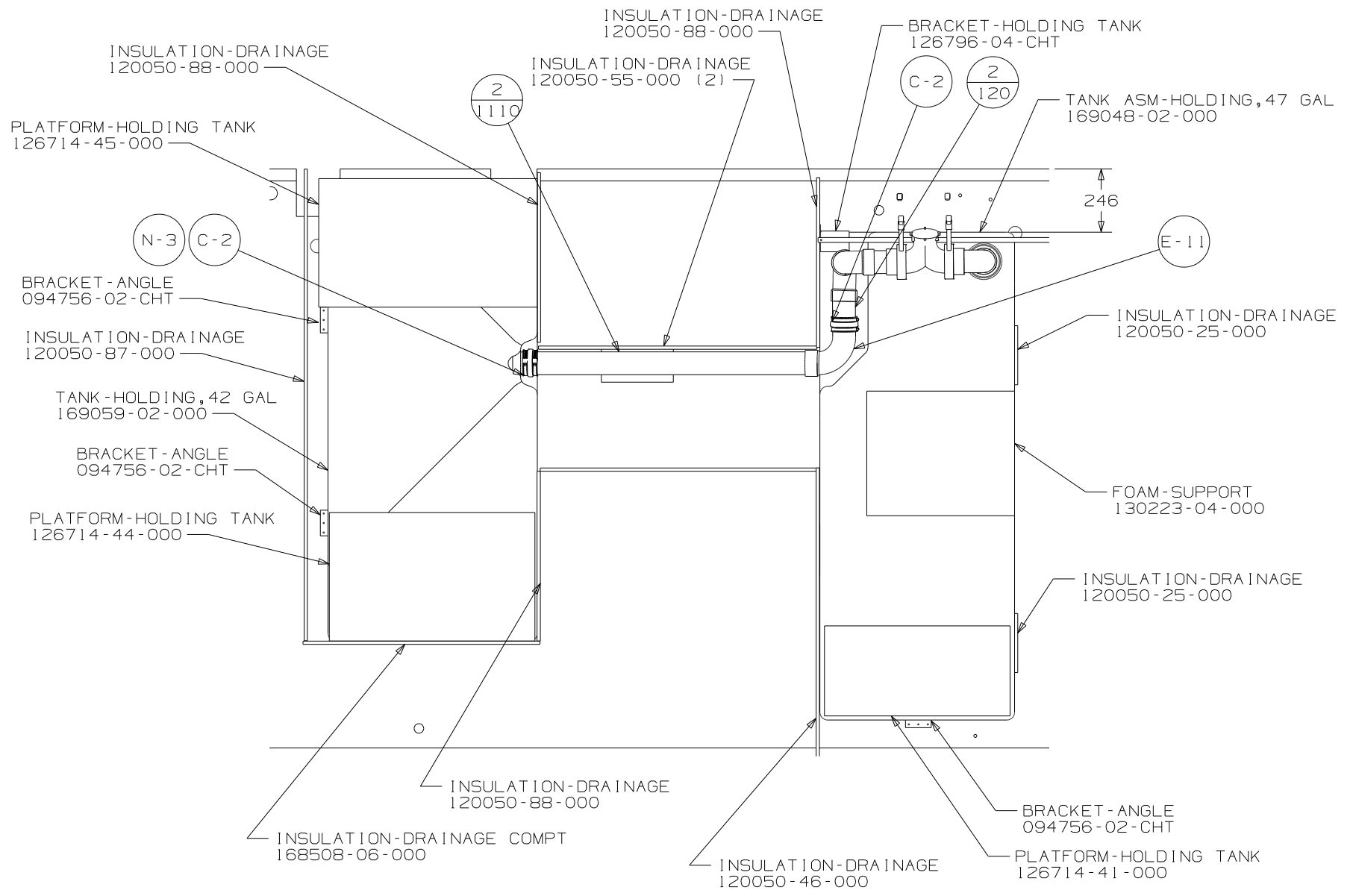
P-1 (1B1)
 P-3 (265)
 A-15 (1B1)

G-2 (2/135)

FIRST USED	11 D37L		
TITLE	DO NOT SCALE DRAWING		
	DRAINAGE SYSTEM INSTL		
SHEET 2	PART NO	176889	REV

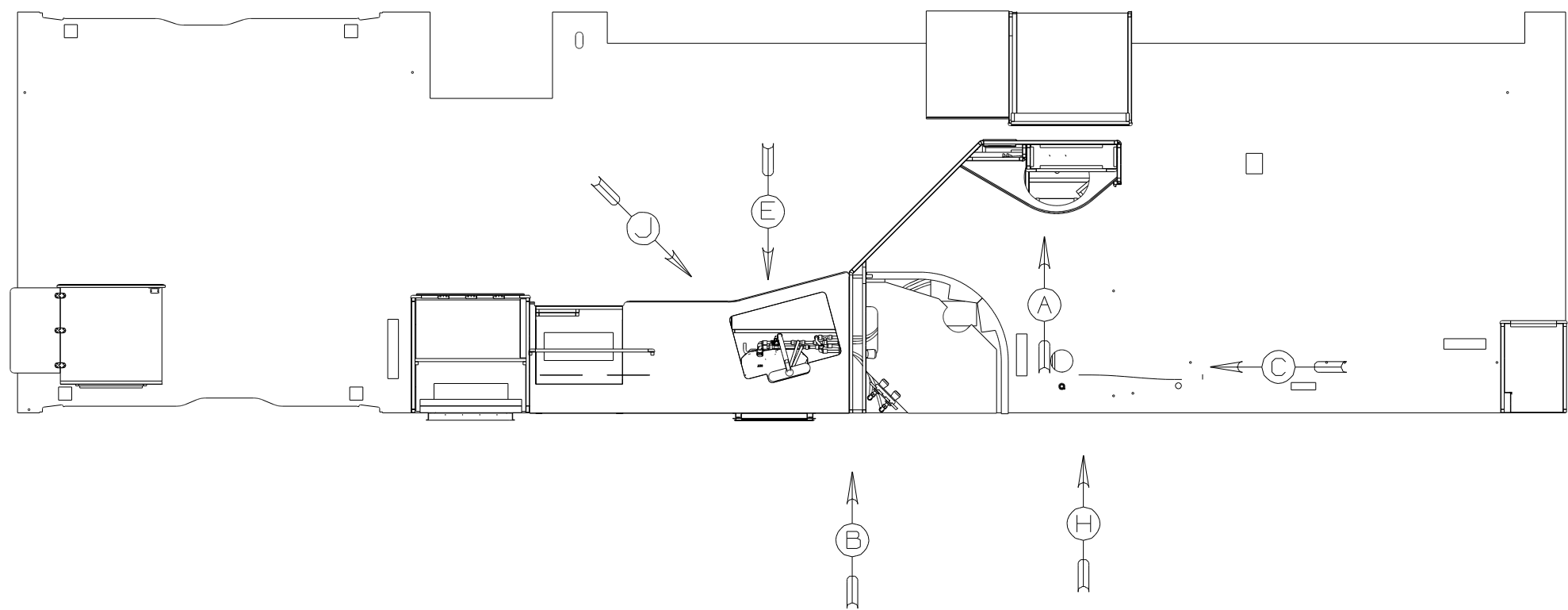


VIEW C



VIEW D

FIRST USED	11 D37L		
TITLE	DO NOT SCALE DRAWING		
	DRAINAGE SYSTEM INSTL		
SHEET 3	PART NO	176889	REV

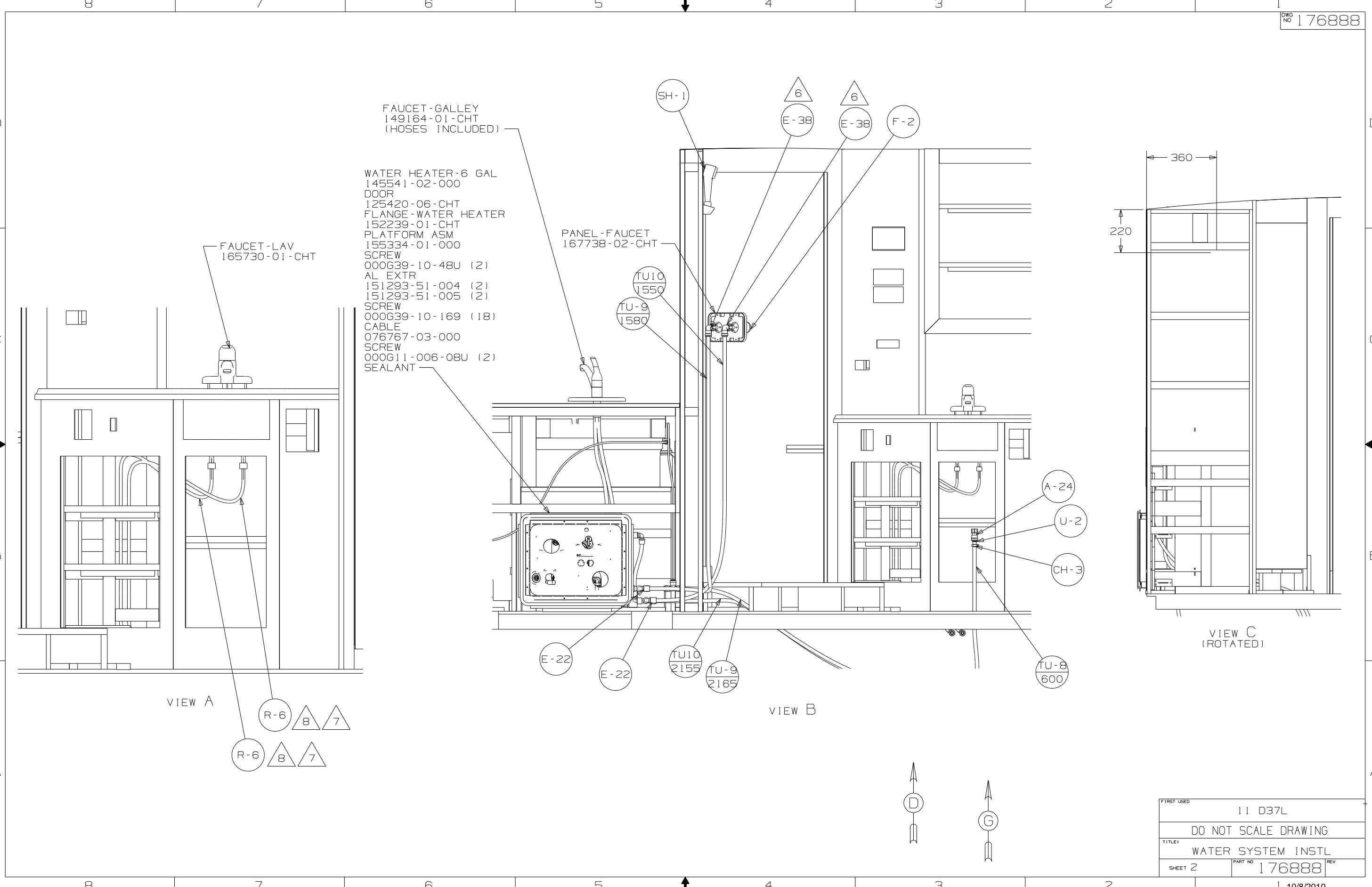


- 9 ADD TEFLON TAPE 010405-03-000.
 - 8 LABEL HOT AND COLD SUPPLY TUBES.
 - 7 TAPE FITTING TO TUBE BEFORE CABINET SET TO PREVENT FITTING FROM MOVING.
 - 6 ADD TEFLON TAPE 010405-01-000.
 - 5 ADD TEFLON TAPE 010405-02-000.
 - 4 ADD PIPE WRAP (LADDER SCRAP) INSULATION HERE.
3. ALL TUBING TO BE SECURED AT 1200 INTERVALS MAXIMUM WITH CLAMP 010495-01-000 AND SCREW 000667-10-12B OR EQUIVALENT..
 2. TUBING TO BE INSTALLED WITH SUFFICIENT SLOPE TO PROVIDE DRAINAGE TO NEAREST VALVE.
 1. PLASTIC FITTINGS TO BE SEALED WITH SEALANT 084456-01-000.

- 144 REFRIGERATOR-DOUBLE DOOR
- 145 REFR-EXTRA CAP W/ICEMAKER

WINNEBAGO		COPYRIGHT 2010 WINNEBAGO INDUSTRIES, INC.	
DFTR	ORIG. DATE	ALL DIMENSIONS ARE IN MILLIMETERS	
CHKR		FIRST USED	
P.E.		11 D37L	
M.E.		UNSPECIFIED TOLERANCES ARE:	
DSNR		MATERIAL:	
		WHOLE DIM (X) :	3
		ONE-PLACE (X.X) :	
		TWO-PLACE (X.XX) :	
		ANGLE :	
		THIRD ANGLE PROJECTION	
DO NOT SCALE DRAWING		REFER TO ES0018 FOR FASTENER TIGHTENING GUIDELINES	
TITLE: WATER SYSTEM INSTL			
SHEET 1 OF 4	PART NO 176888	REV	

FOR
WATER
CALLOUTS
SEE DWG NO
116230-01-000



- FAUCET - GALLEY
149164-01-CHT
(HOSES INCLUDED)
- WATER HEATER-6 GAL
145541-02-000
- DOOR
125420-06-CHT
- FLANGE - WATER HEATER
152239-01-CHT
- PLATFORM ASM
155334-01-000
- SCREW
000G39-10-48U (2)
- AL EXTR
151293-51-004 (2)
- 151293-51-005 (2)
- SCREW
000G39-10-169 (18)
- CABLE
076767-03-000
- SCREW
000G11-006-08U (2)
- SEALANT

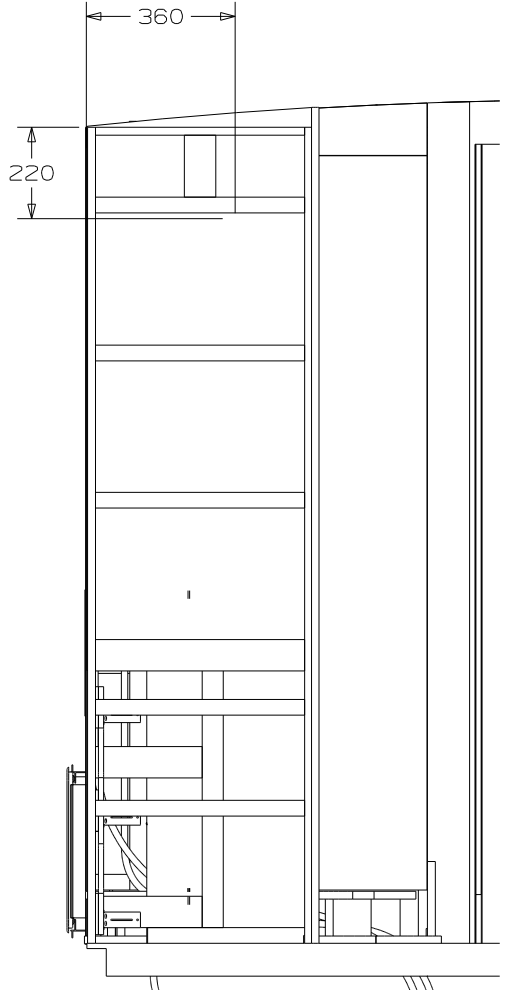
FAUCET - LAV
165730-01-CHT

PANEL - FAUCET
167738-02-CHT

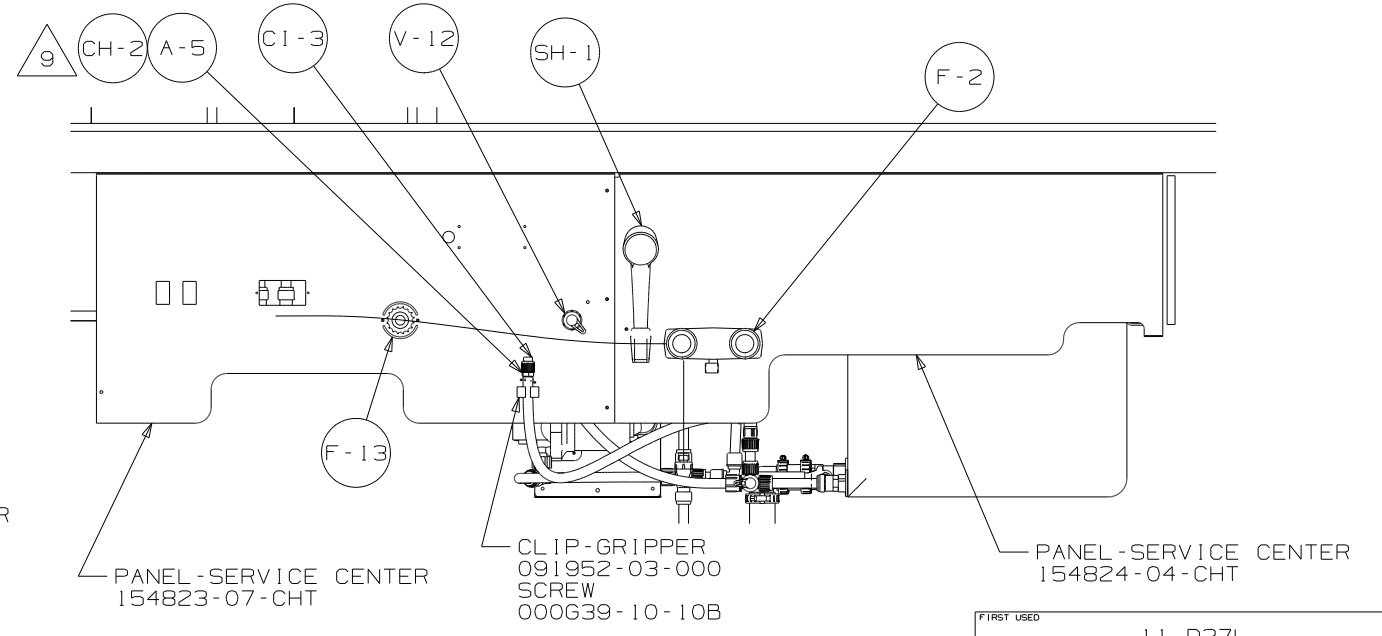
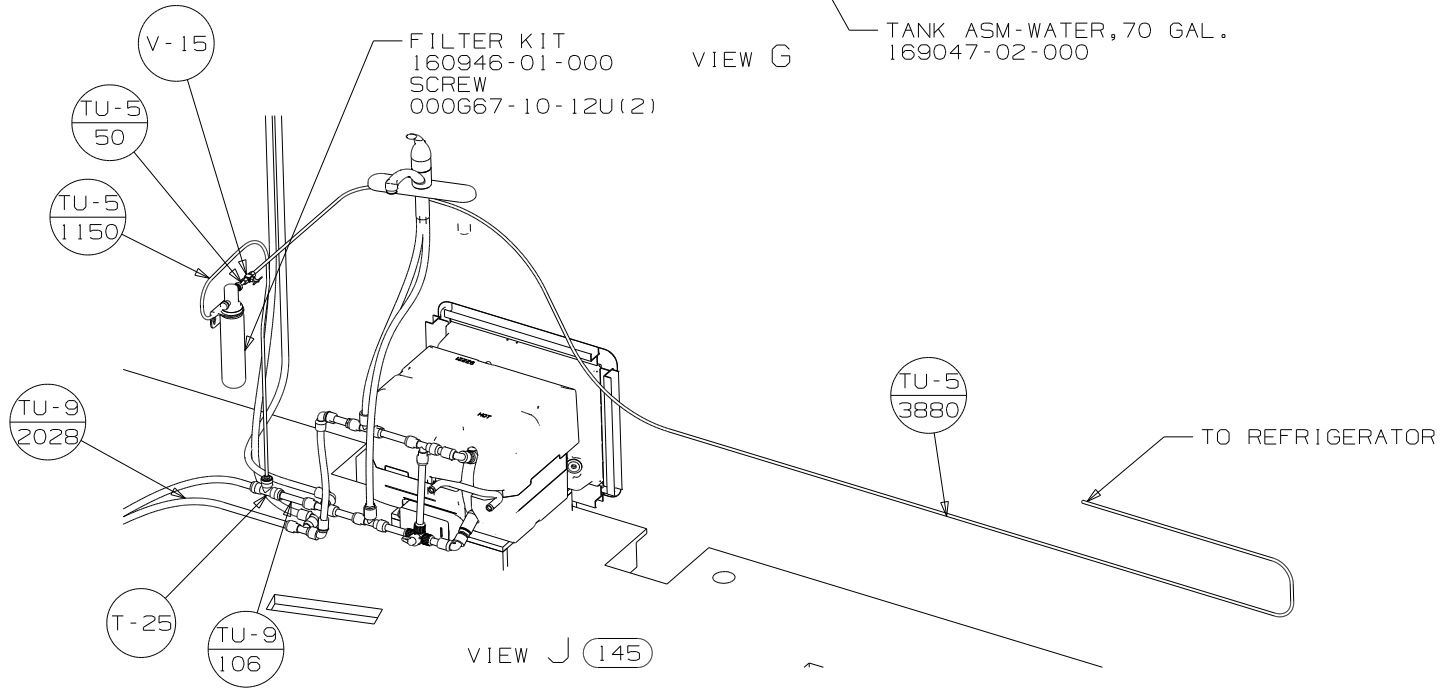
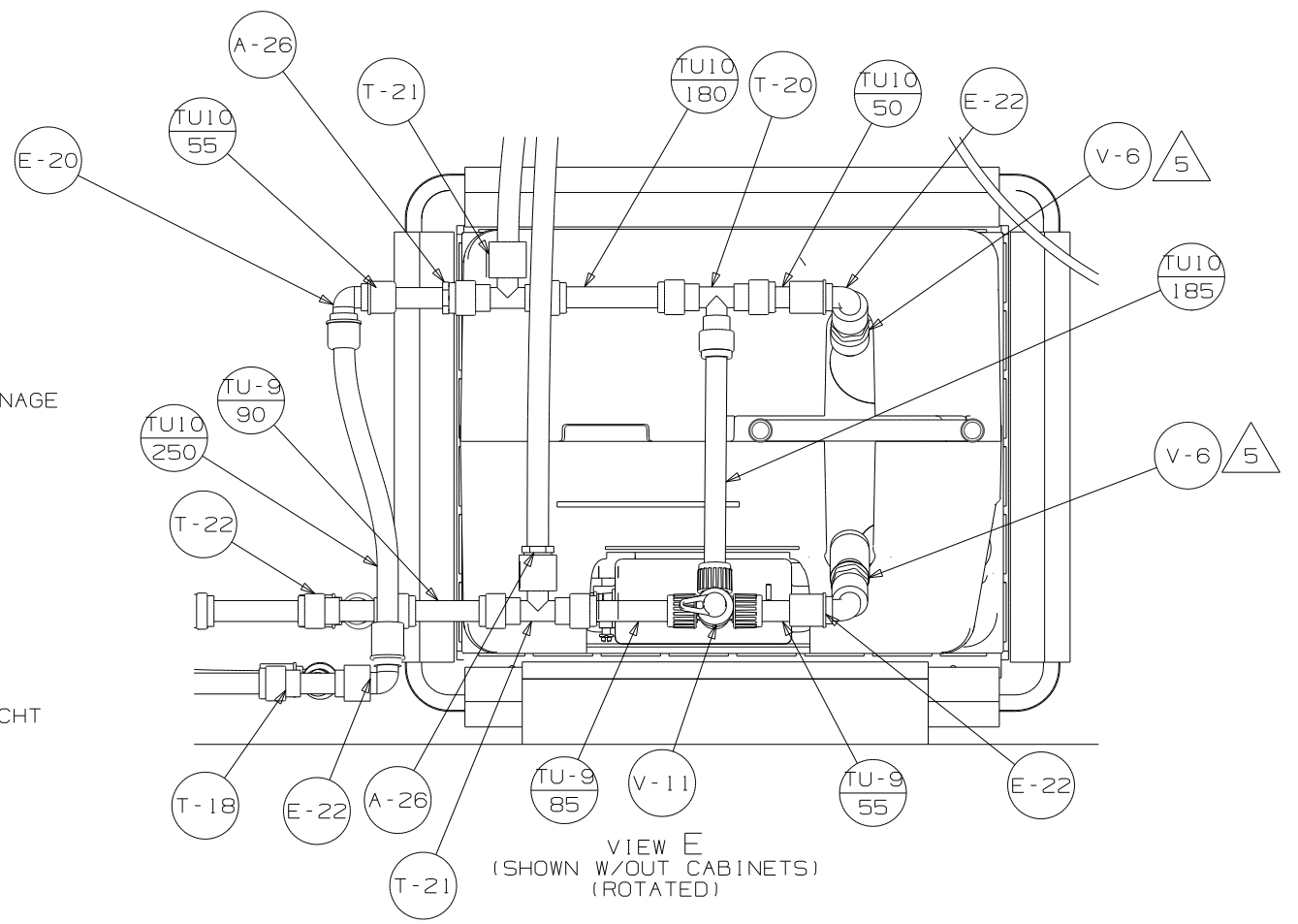
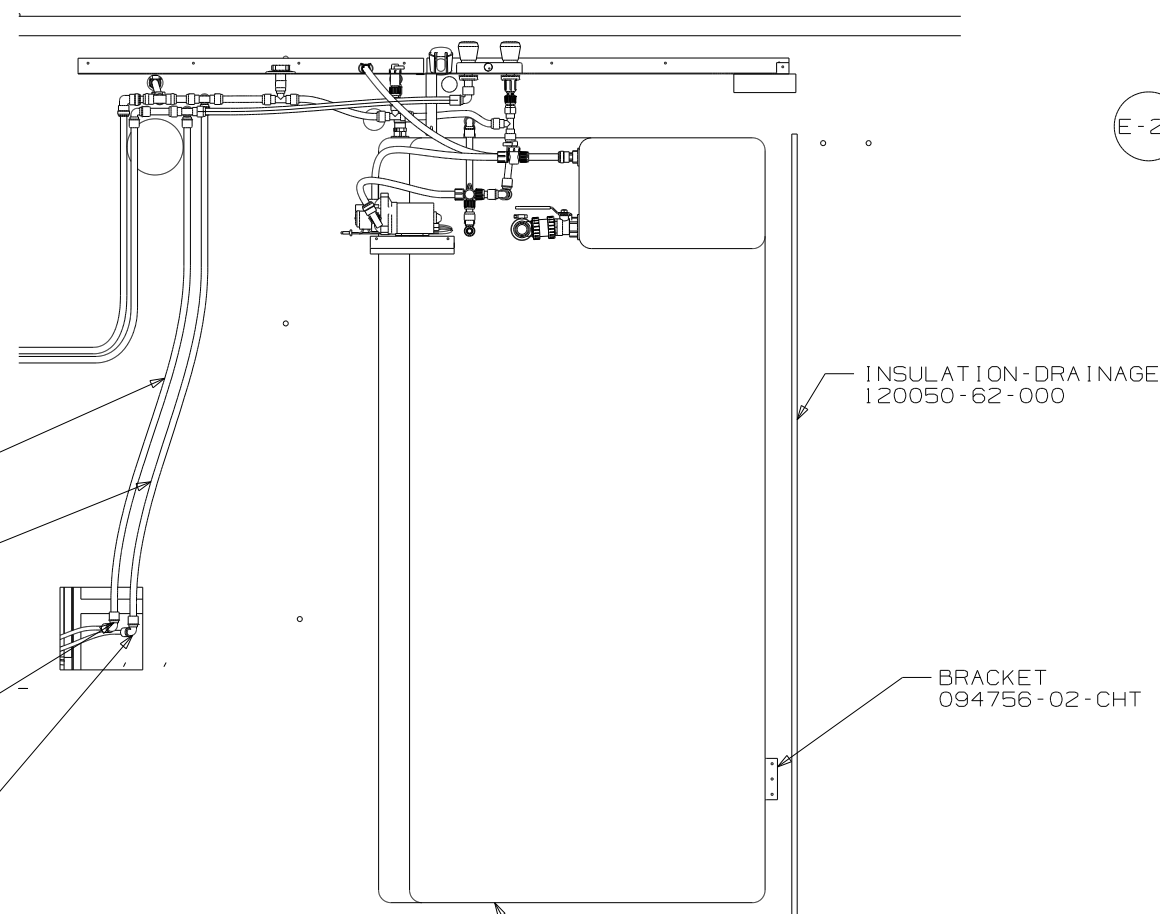
VIEW A

VIEW B

VIEW C
(ROTATED)



FIRST USED	11 D37L		
TITLE:	DO NOT SCALE DRAWING		
TITLE:	WATER SYSTEM INSTL		
SHEET 2	PART NO	176888	REV



FIRST USED	11 D37L
DO NOT SCALE DRAWING	
TITLE:	WATER SYSTEM INSTL
SHEET 4	PART NO 176888 REV