

FRONT OF COACH

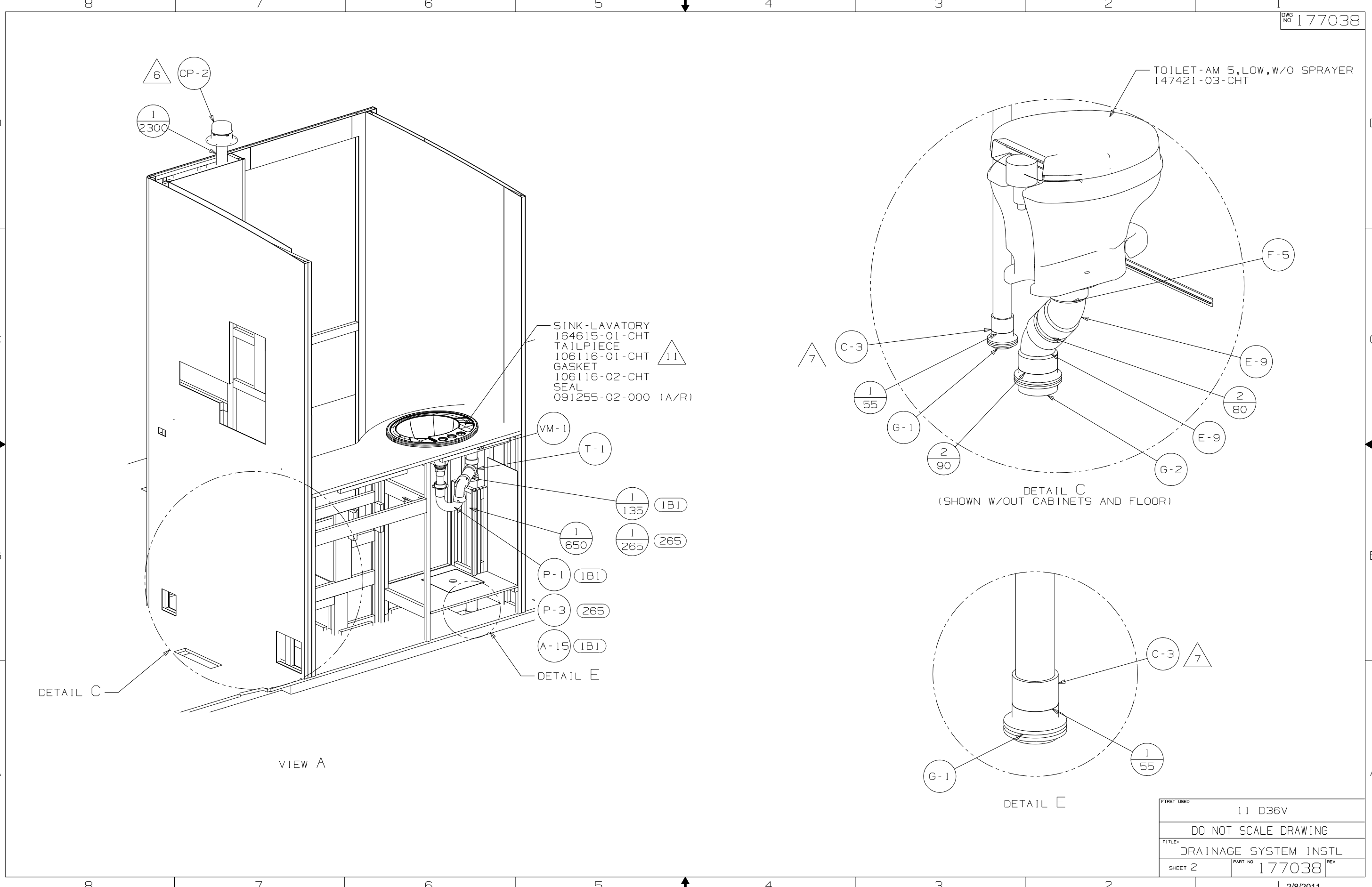
- 1. SLOPE OF HORIZONTAL PIPING TO BE MINIMUM OF 3 PER 305 mm.
- 2. SLOPE OF TRAP ARM MUST BE 6 PER 305 mm.
- 3. ALL PIPE AND FITTINGS TO BE ASSEMBLED WITH SOLVENT 004020-01-000 (USA), 004020-02-000 (CAN)
- 4. GLUE FITTING AFTER CABINET IS INSTALLED.
- 5. SEAL AROUND SHOWER WITH SILICONE.
- 6. VENT PIPE MUST PROJECT 51 MIN AND 64 MAX ABOVE ROOF FOR PROPER FIT AND FUNCTION.
- 7. SECURE VENT PIPE TO FLOOR WITH CLAMP 062401-02-000 (2), SCREW 000G67-10-12B (2), BRACKET 136878-01-CHT (2).
- 8. SECURE DRAINAGE PIPES TO CABINET USING WIRE TIE 108046-02-000, AND SCREW 000G67-10-12B AT INTERVALS OF NOT OF NOT MORE THAN 4 FEET APART.
- 9. APPLY PRIMER 126427-02-000 AND CEMENT 126427-01-000 BETWEEN ELBOW AND FLEX PIPE.
- 10. ATTACH TANK BRACKET TO RISER.
- 11. USE SMOOTH PLUMBERS PUTTY 167459-01-000 TO SEAL STRAINER (0.2 PER STRAINER).

- 1B1 CODES/STANDARDS USA
- 265 CODES/STANDARDS-CSA/CMVSS

<b>WINNEBAGO</b>		COPYRIGHT 2011 WINNEBAGO INDUSTRIES, INC.	
DFT	ORIG. DATE	ALL DIMENSIONS ARE IN MILLIMETERS	
CHKR		FIRST USED	
P.E.		11 D36V	
M.E.		UNSPECIFIED TOLERANCES ARE:	
DSNR		MATERIAL:	
		WHOLE DIM (X) :	3
		ONE-PLACE (X.X) :	
		TWO-PLACE (X.XX) :	
		ANGLE :	
		THIRD ANGLE PROJECTION	
DO NOT SCALE DRAWING		REFER TO ES0018 FOR FASTENER TIGHTENING GUIDELINES	
TITLE: DRAINAGE SYSTEM INSTL			
SHEET 1 OF 4	PART NO	177038	REV

FOR  
DRAINAGE  
CALLOUTS  
SEE DWG NO  
116229-01-000

NOTES:



6 CP-2

1  
2300

TOILET-AM 5, LOW, W/O SPRAYER  
147421-03-CHT

SINK-LAVATORY  
164615-01-CHT  
TAILPIECE  
106116-01-CHT  
GASKET  
106116-02-CHT  
SEAL  
091255-02-000 (A/R)

11

VM-1

T-1

1  
135 1B1

1  
650 1  
265 265

P-1 1B1

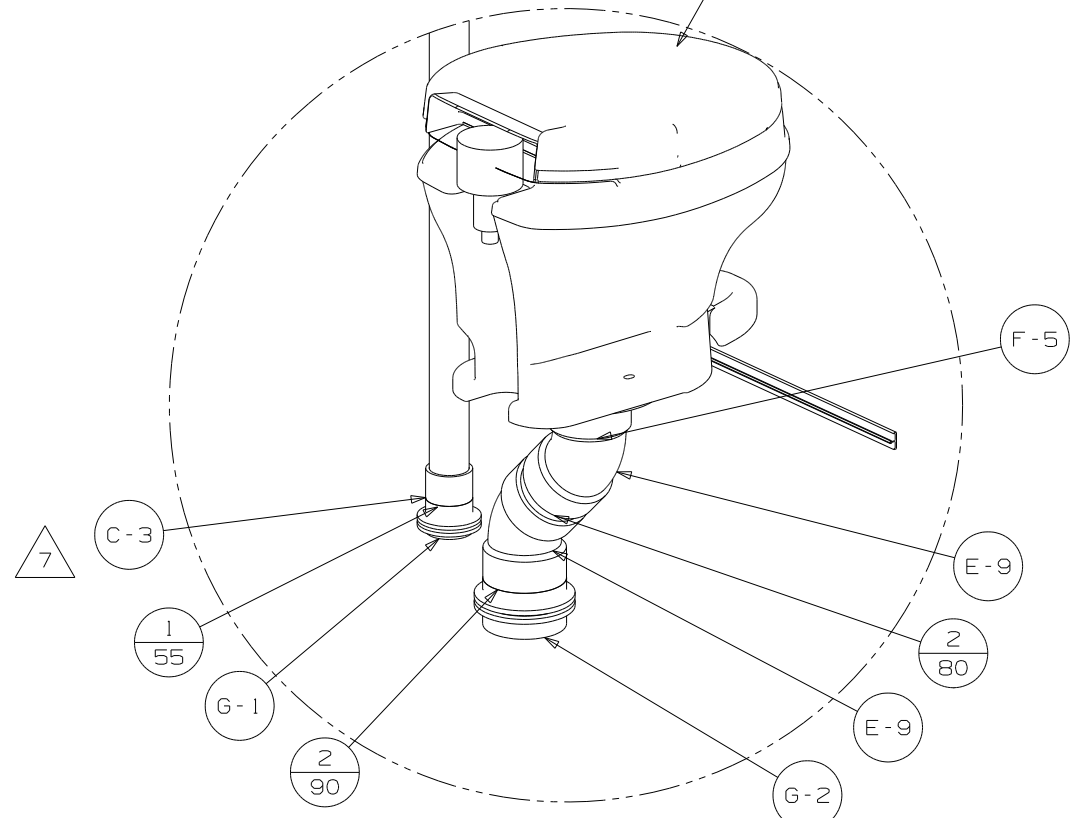
P-3 265

A-15 1B1

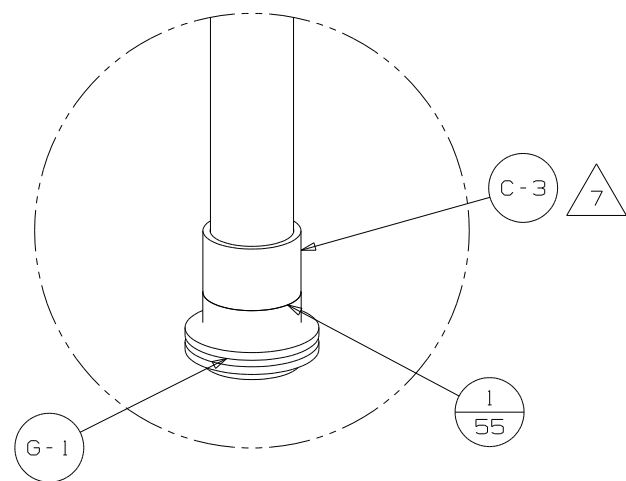
DETAIL E

DETAIL C

VIEW A



DETAIL C  
(SHOWN W/OUT CABINETS AND FLOOR)

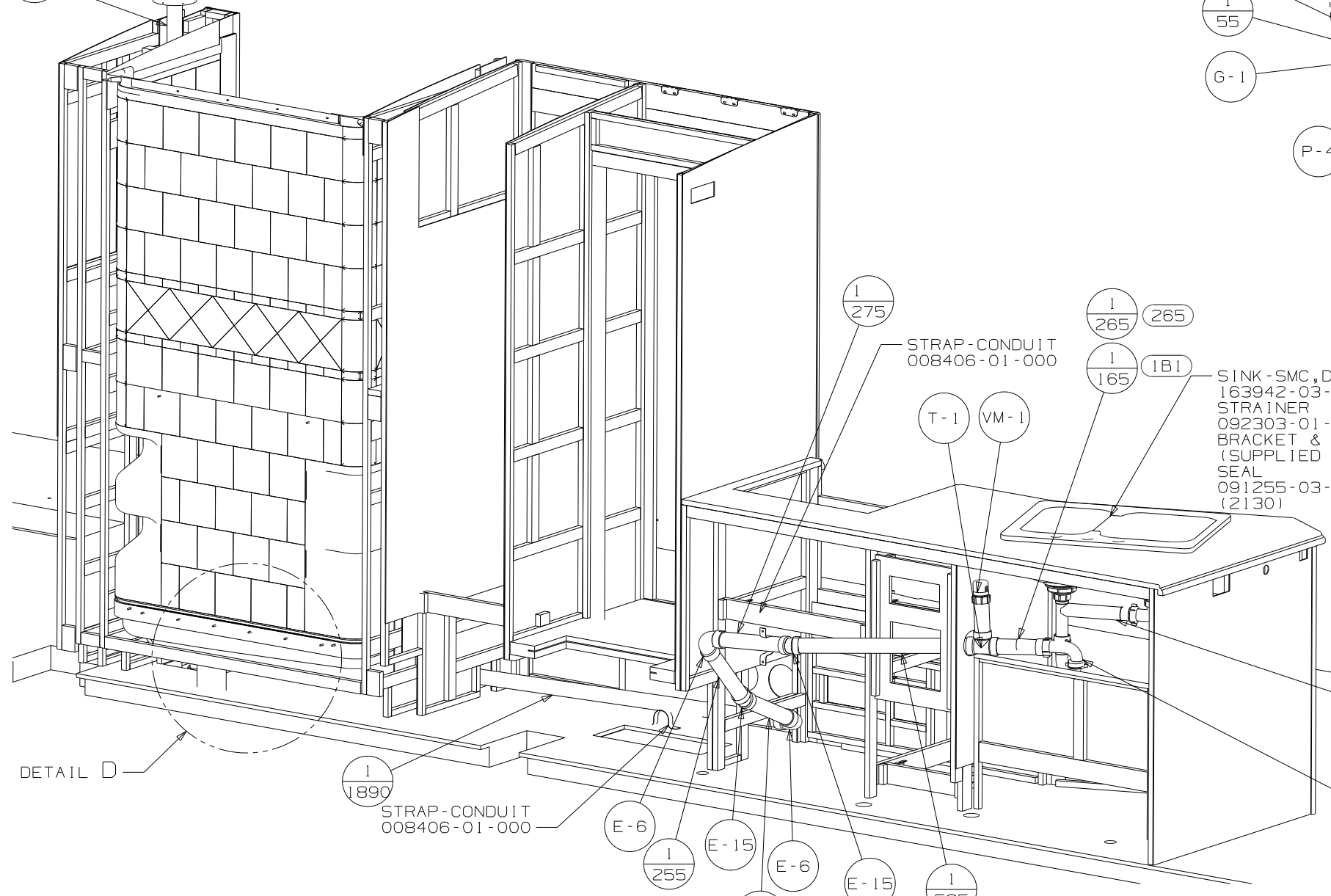
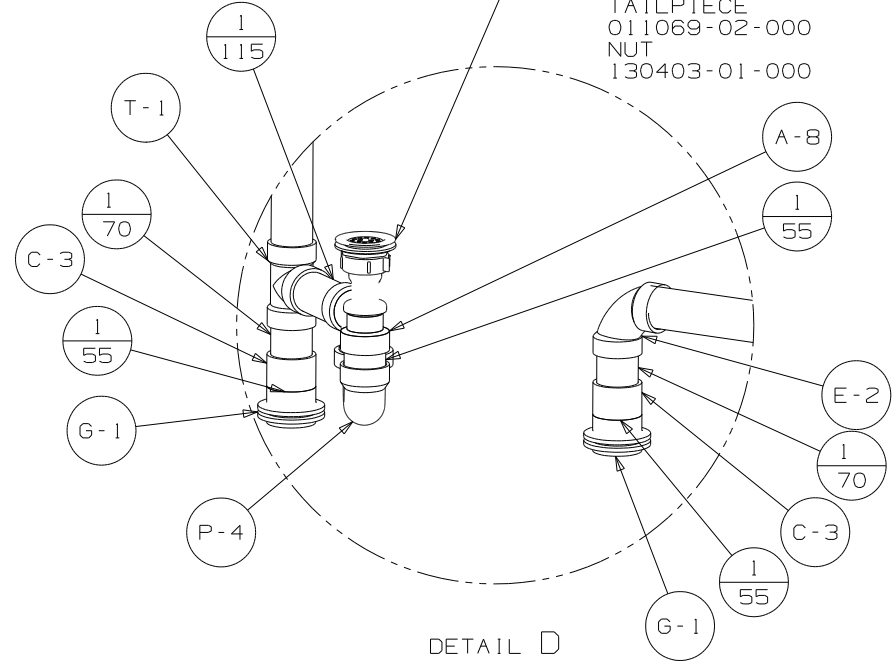


DETAIL E

FIRST USED	11 D36V
TITLE	DO NOT SCALE DRAWING
TITLE	DRAINAGE SYSTEM INSTL
SHEET 2	PART NO 177038 REV
	1 2/8/2011

6 CP-2  
1 2130

SHOWER INSTL  
164684-03-000  
STRAINER  
066440-01-000  
SEALER  
069640-01-000  
WASHER-RUBBER  
127440-02-CHT  
TAILPIECE  
011069-02-000  
NUT  
130403-01-000



STRAP-CONDUIT  
008406-01-000

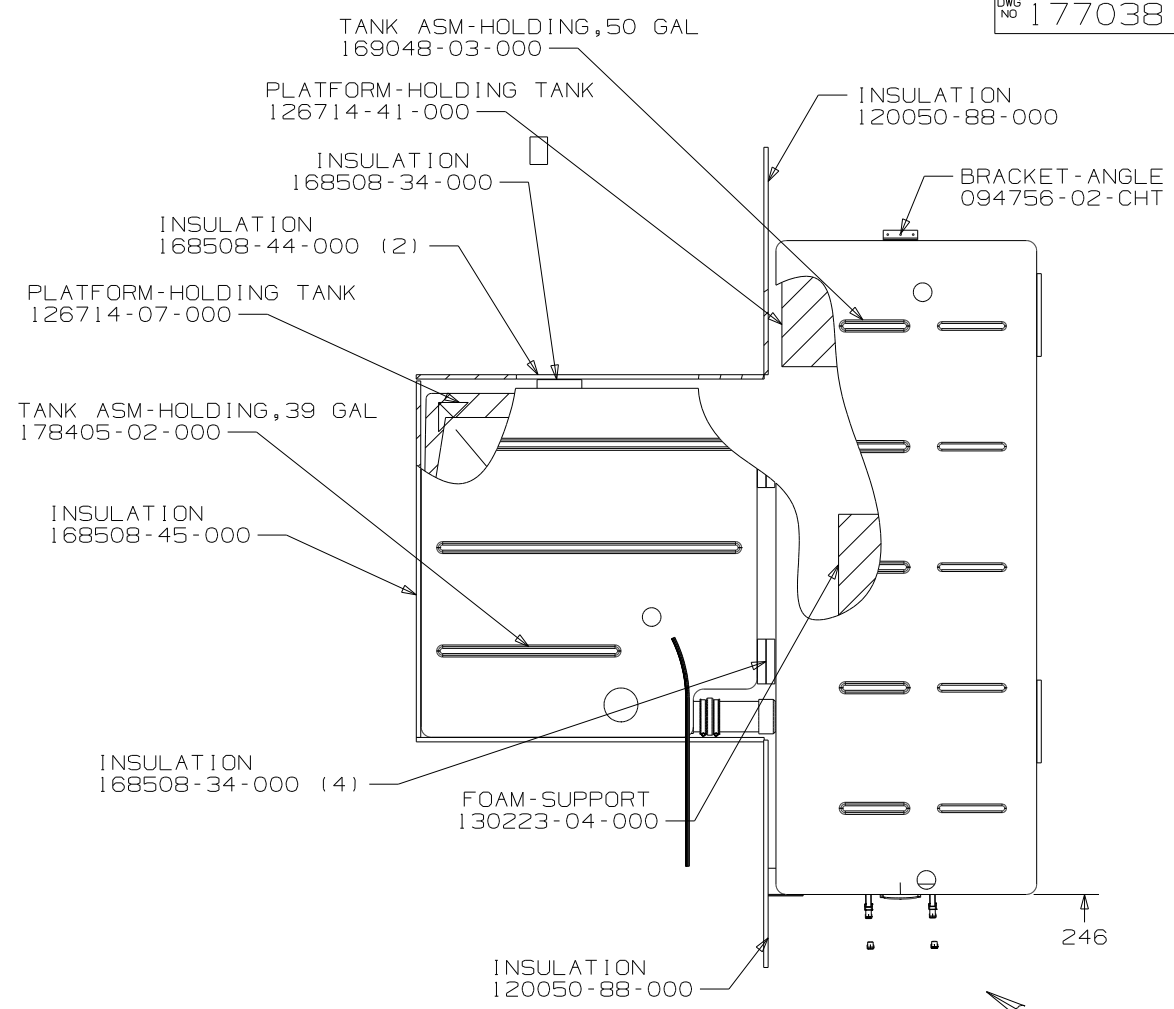
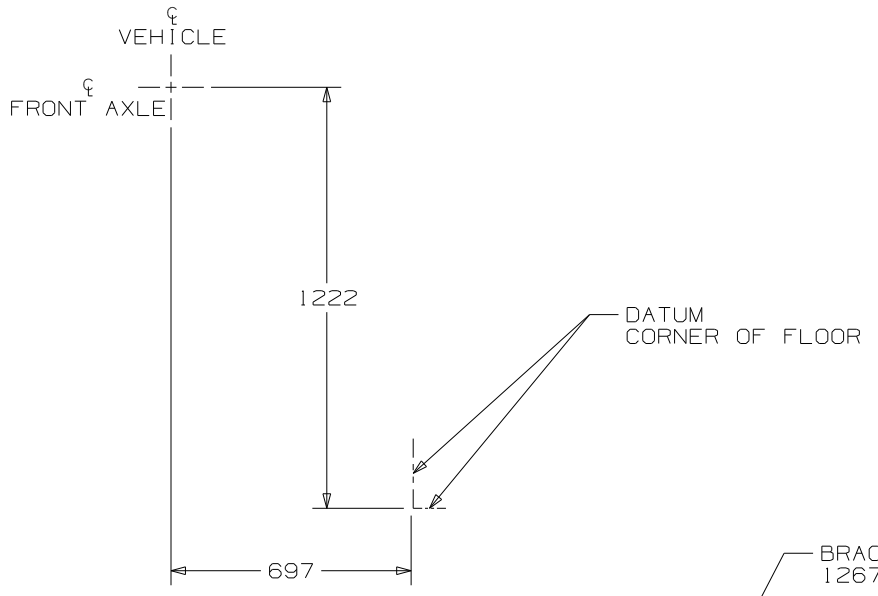
SINK-SMC, DBL L/S BASIN  
163942-03-CHT (US/CAN)  
STRAINER  
092303-01-000 (2)  $\Delta$   
BRACKET & SCREW  
(SUPPLIED WITH SINK) (8)  
SEAL  
091255-03-000  
(2130)

DETAIL D

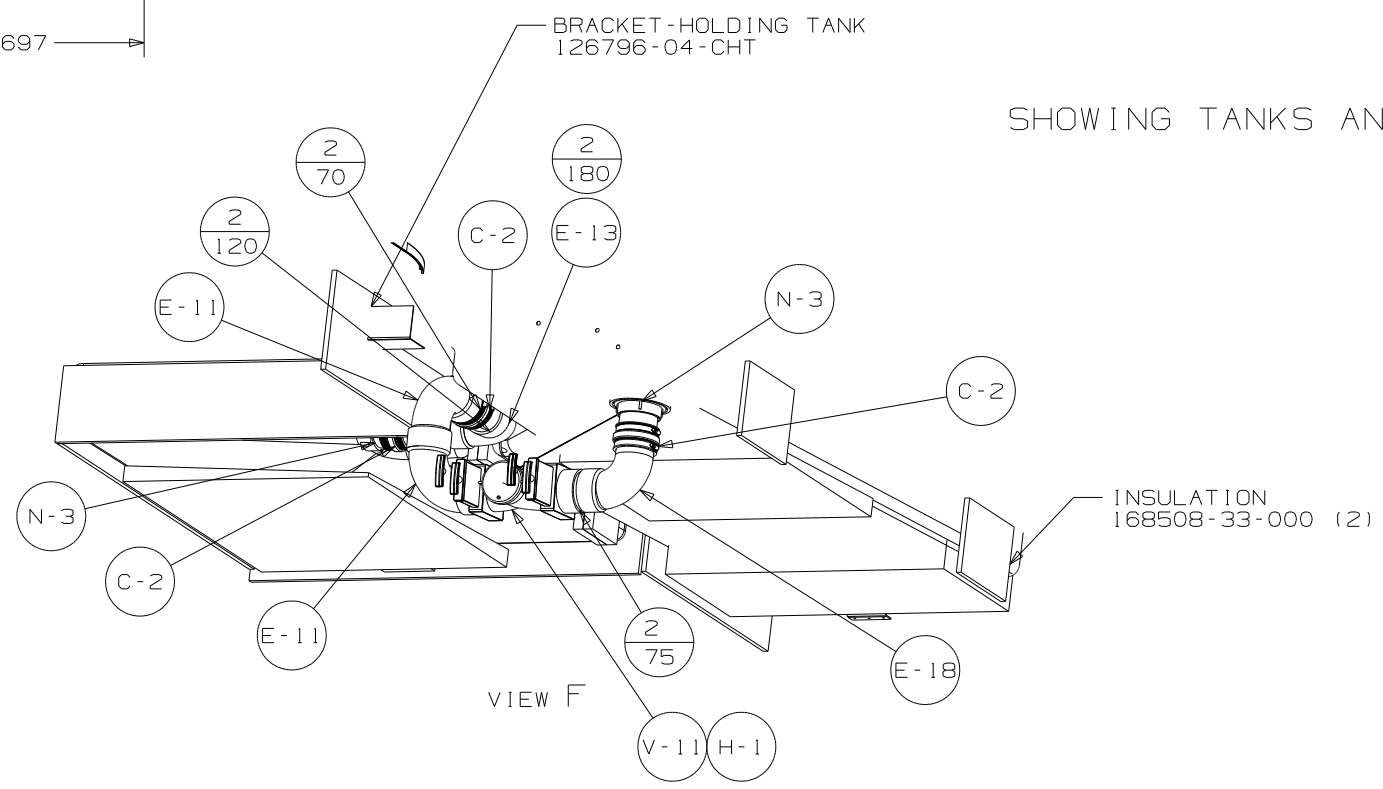
1 1890  
STRAP-CONDUIT  
008406-01-000

VIEW B

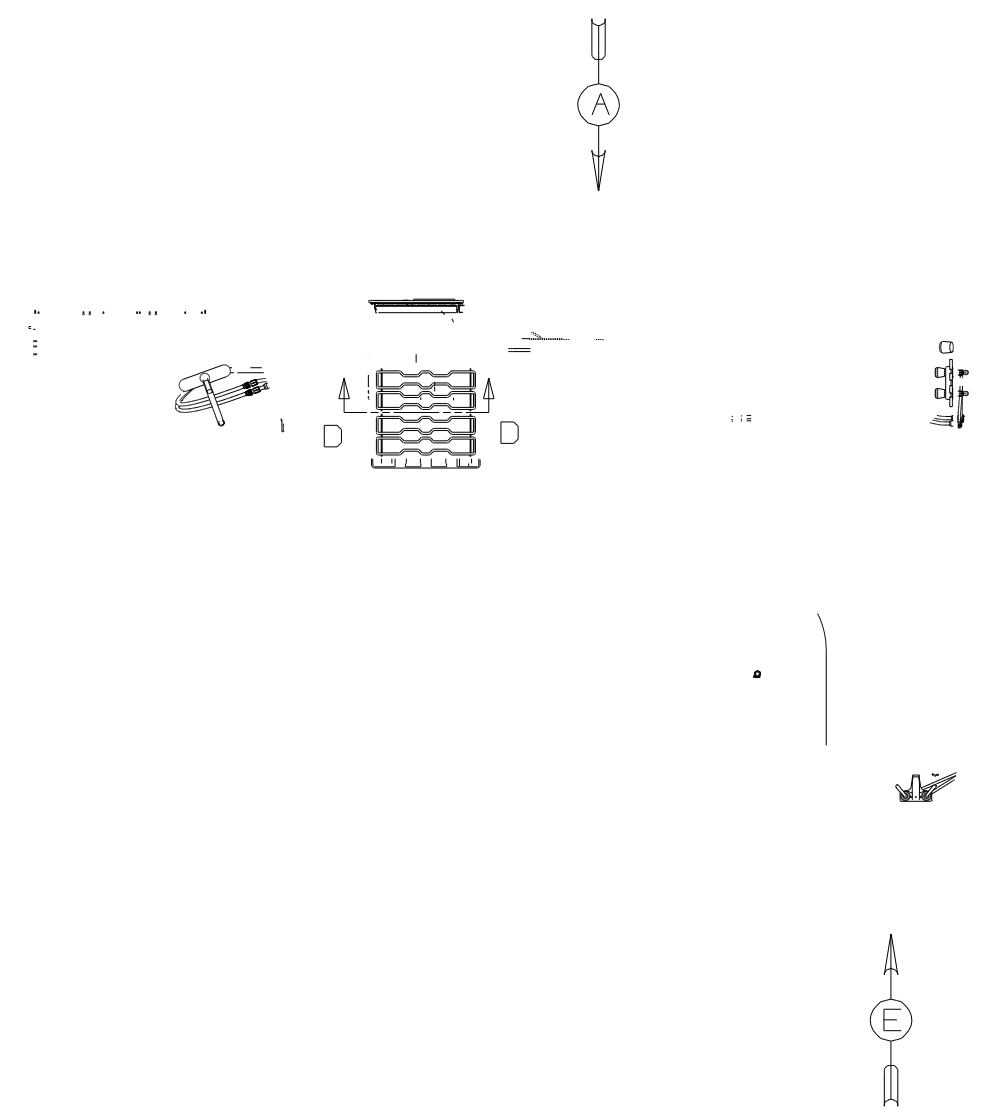
FIRST USED	11 D36V
DO NOT SCALE DRAWING	
TITLE:	DRAINAGE SYSTEM INSTL
SHEET 3	PART NO 177038 REV



SHOWING TANKS AND DRAINS



FIRST USED	11 D36V	
TITLE	DO NOT SCALE DRAWING	
	DRAINAGE SYSTEM INSTL	
SHEET 4	PART NO 177038	REV
1 2/8/2011		



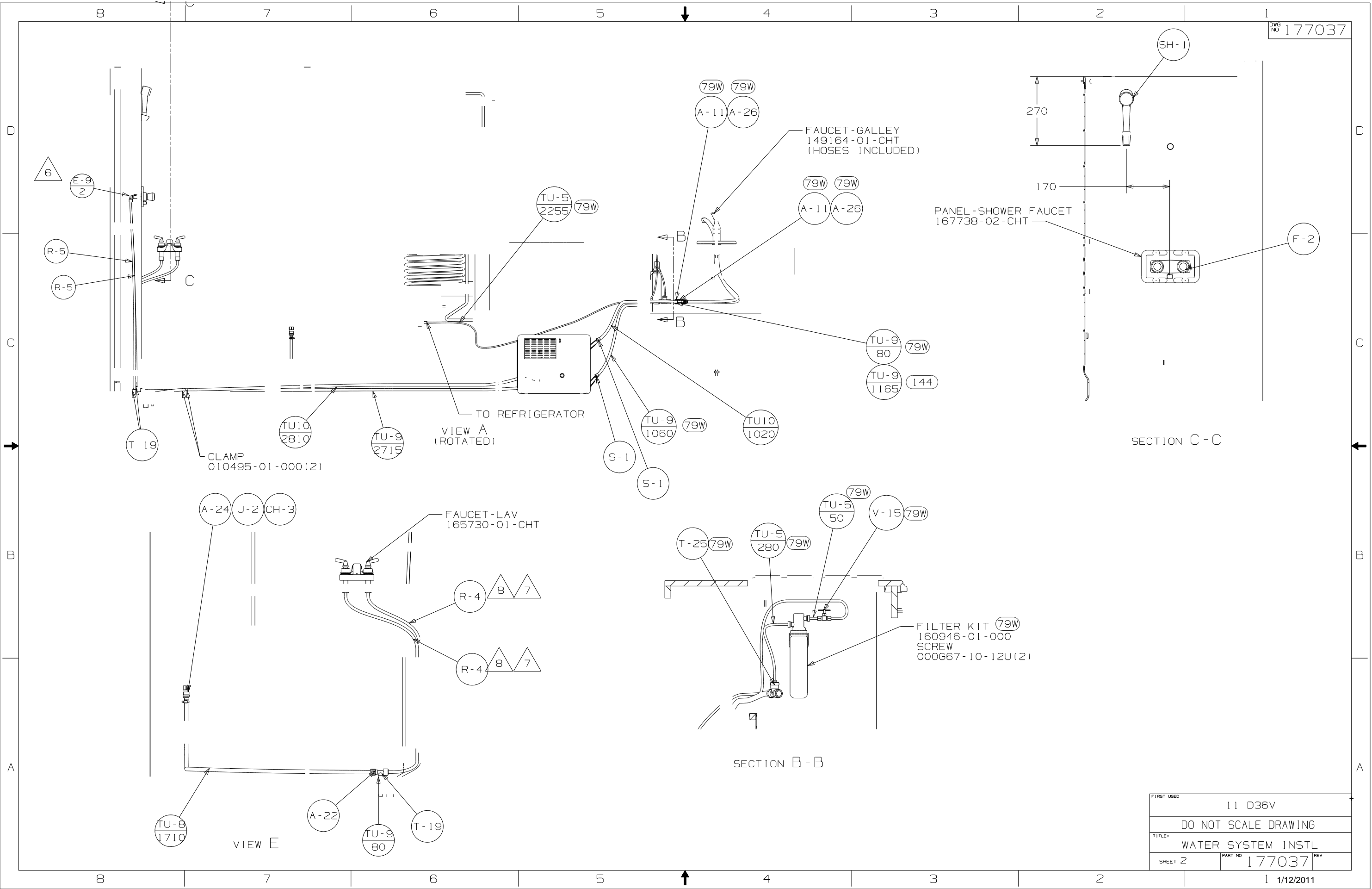
- (144) REFRIGERATOR-DOUBLE DOOR
- (53Z) WTR HTR-6GAL/110/LP/MTR/AUTO
- (79W) REFRIGERATOR-4 DOOR

- 9 ADD TEFLON TAPE 010405-03-000.
  - 8 LABEL HOT AND COLD SUPPLY TUBES.
  - 7 TAPE FITTING TO TUBE BEFORE CABINET SET TO PREVENT FITTING FROM MOVING.
  - 6 ADD TEFLON TAPE 010405-01-000.
  - 5 ADD TEFLON TAPE 010405-02-000.
  - 4 ADD PIPE WRAP (LADDER SCRAP) INSULATION HERE.
3. ALL TUBING TO BE SECURED AT 1200 INTERVALS MAXIMUM WITH CLAMP 010495-01-000 AND SCREW 000667-10-12B OR EQUIVALENT..
  2. TUBING TO BE INSTALLED WITH SUFFICIENT SLOPE TO PROVIDE DRAINAGE TO NEAREST VALVE.
  1. PLASTIC FITTINGS TO BE SEALED WITH SEALANT 084456-01-000.

NOTES:

<b>WINNEBAGO</b>		COPYRIGHT 2011 WINNEBAGO INDUSTRIES, INC.	
DFTR	ORIG. DATE	ALL DIMENSIONS ARE IN MILLIMETERS	
CHKR		FIRST USED	
P.E.		11 D36V	
M.E.		UNSPECIFIED TOLERANCES ARE:	
DSNR		MATERIAL:	
		WHOLE DIM (X) :	3
		ONE-PLACE (X.X) :	
		TWO-PLACE (X.XX) :	
		ANGLE :	
		THIRD ANGLE PROJECTION	
DO NOT SCALE DRAWING		REFER TO ES0018 FOR FASTENER TIGHTENING GUIDELINES	
TITLE: WATER SYSTEM INSTL			
SHEET 1 OF 4	PART NO 177037	REV	

(X-X)  
FOR  
WATER  
CALLOUTS  
SEE DWG NO  
116230-01-000



FAUCET - GALLEY  
149164-01-CHT  
(HOSES INCLUDED)

PANEL - SHOWER FAUCET  
167738-02-CHT

TO REFRIGERATOR  
VIEW A  
(ROTATED)

FAUCET - LAV  
165730-01-CHT

FILTER KIT (79W)  
160946-01-000  
SCREW  
000667-10-12U(2)

CLAMP  
010495-01-000(2)

FIRST USED	11 D36V
TITLE:	DO NOT SCALE DRAWING
SHEET 2	WATER SYSTEM INSTL
PART NO	177037
REV	1 1/12/2011

INSULATION-DRAINAGE COMPT  
168508-47-000

BRACKET  
094756-02-CHT (3)

TANK ASM-WATER,82 GAL  
178136-04-000

INSULATION-DRAINAGE COMPT  
168508-48-000

TU10  
1780

TU-9  
1805

F

K

E-37

E-42

DETAIL L

VIEW K

SCREW  
000G60-08-12U

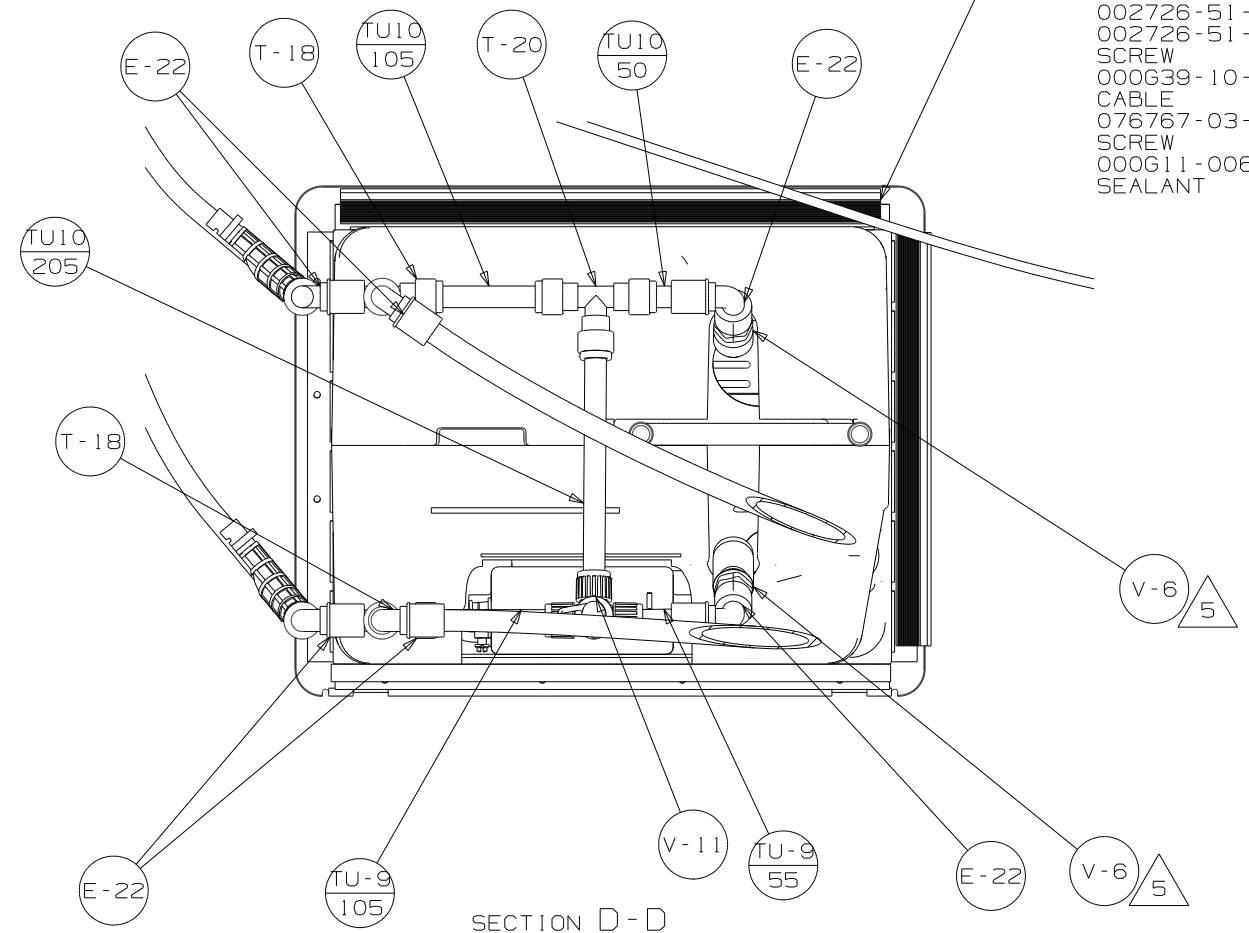
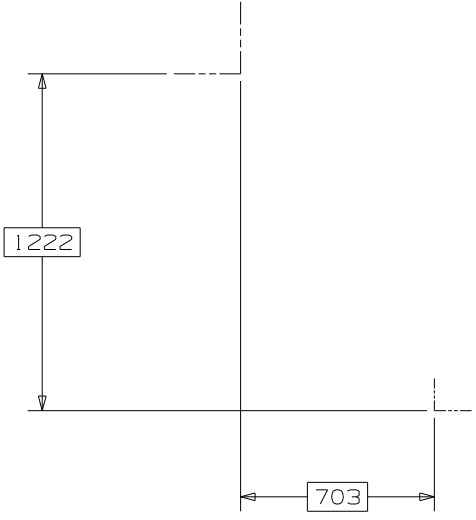
TU-9  
70

TU-15  
519

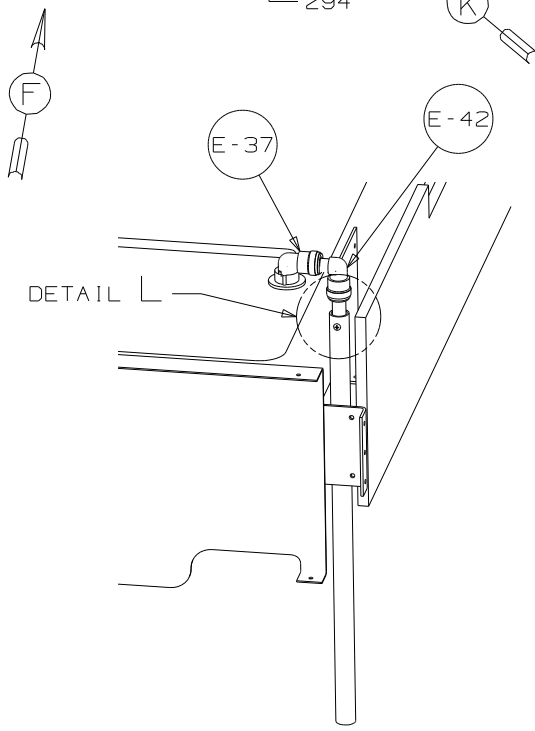
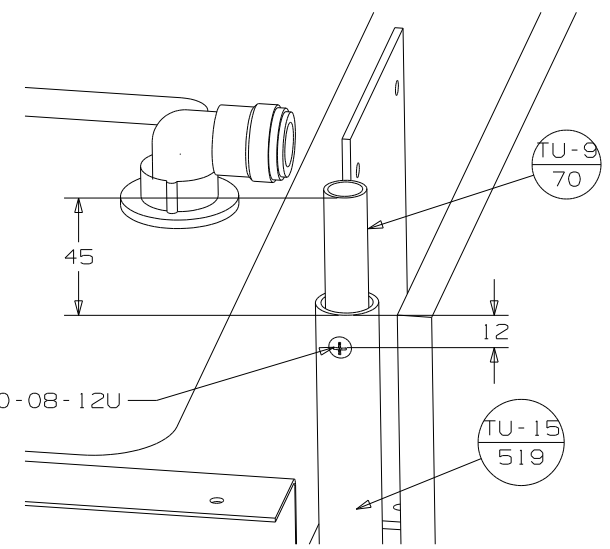
DETAIL L

FIRST USED	11 D36V
DO NOT SCALE DRAWING	
TITLE:	WATER SYSTEM INSTL
SHEET 3	PART NO 177037 REV

- WATER HEATER-6 GAL  
145541-02-000 (53Z)
- DOOR  
125420-06-CHT
- PLYWOOD  
173882-4M-OCA
- SCREW  
000G39-10-48U (2)
- AL EXTR  
002726-51-027
- 002726-51-017 (2)
- SCREW  
000G39-10-169 (18)
- CABLE  
076767-03-000
- SCREW  
000G11-006-08U (2)
- SEALANT



SECTION D-D



PANEL -SERVICE CENTER  
154823-07-CHT

PANEL -SERVICE CENTER  
154824-04-CHT

CLIP -GRIPPER  
091952-03-000  
SCREW  
000639-10-10B

VALVE -BALL  
132483-01-000

BRACKET -PUMP, WATER  
169229-01-CHT  
PANEL -WATER PUMP  
149477-04-CHT  
FOAM-PAD  
140364-01-CHT

FIRST USED	11 D36V
DO NOT SCALE DRAWING	
TITLE:	WATER SYSTEM INSTL
SHEET 4	PART NO 177037 REV

