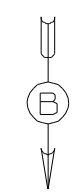
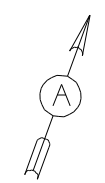
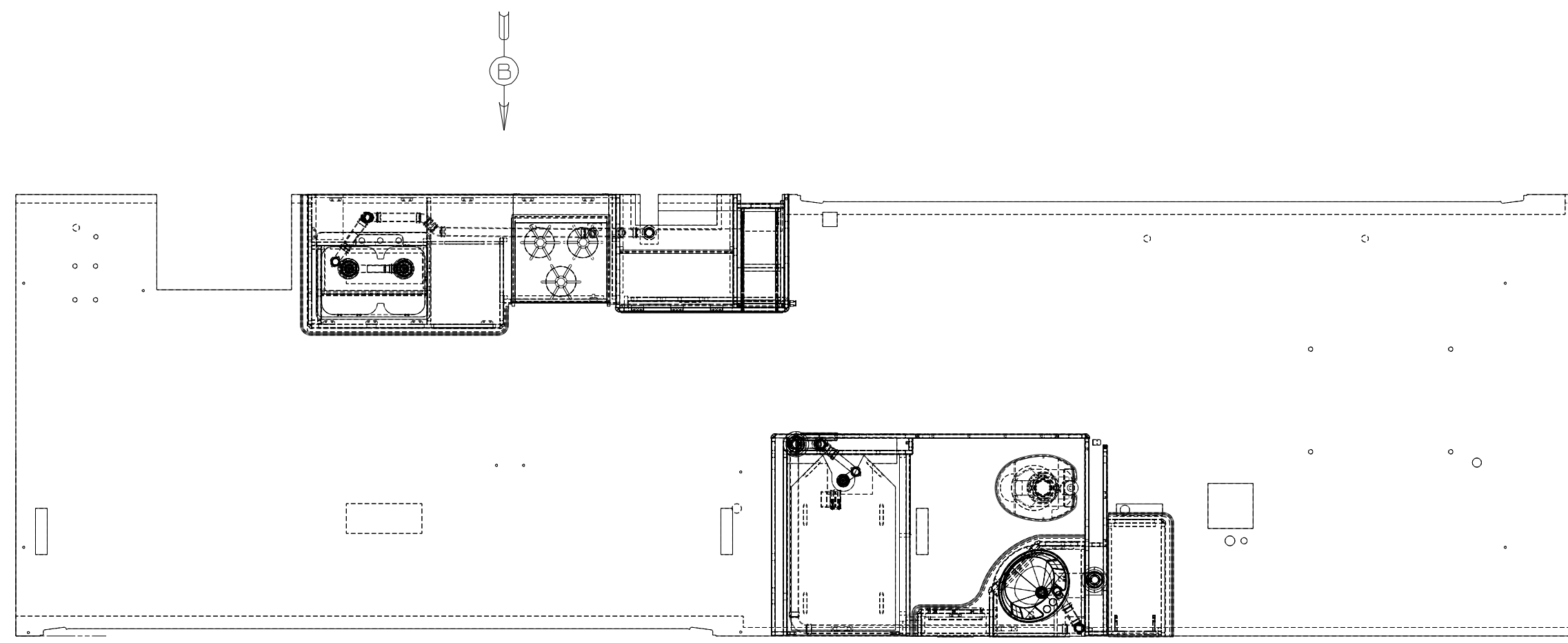


8 7 6 5 4 3 2

RELEASE	REV DATE	DWG NO
A		176352
REV ZONE	REVISION RECORD	DATE



- NOTES:
- 6. USE SMOOTH PLUMBERS PUTTY 167459-01-000 TO SEAL STRAINER(.2 PER STRAINER)
 - 5. SEAL AROUND SHOWER WITH SILICONE.
 - 4. VENT PIPE MUST PROJECT 51 MIN AND 64 MAX ABOVE ROOF FOR PROPER FIT AND FUNCTION.
 - 3. ALL PIPE AND FITTINGS TO BE ASSEMBLED WITH SOLVENT 4020-01-000 (US) 4020-02-000 (CAN).
 - 2. SLOPE OF TRAP ARM MUST BE 6 PER 305 mm.
 - 1. SLOPE OF HORIZONTAL PIPING TO BE MIN 6 PER 305 mm.

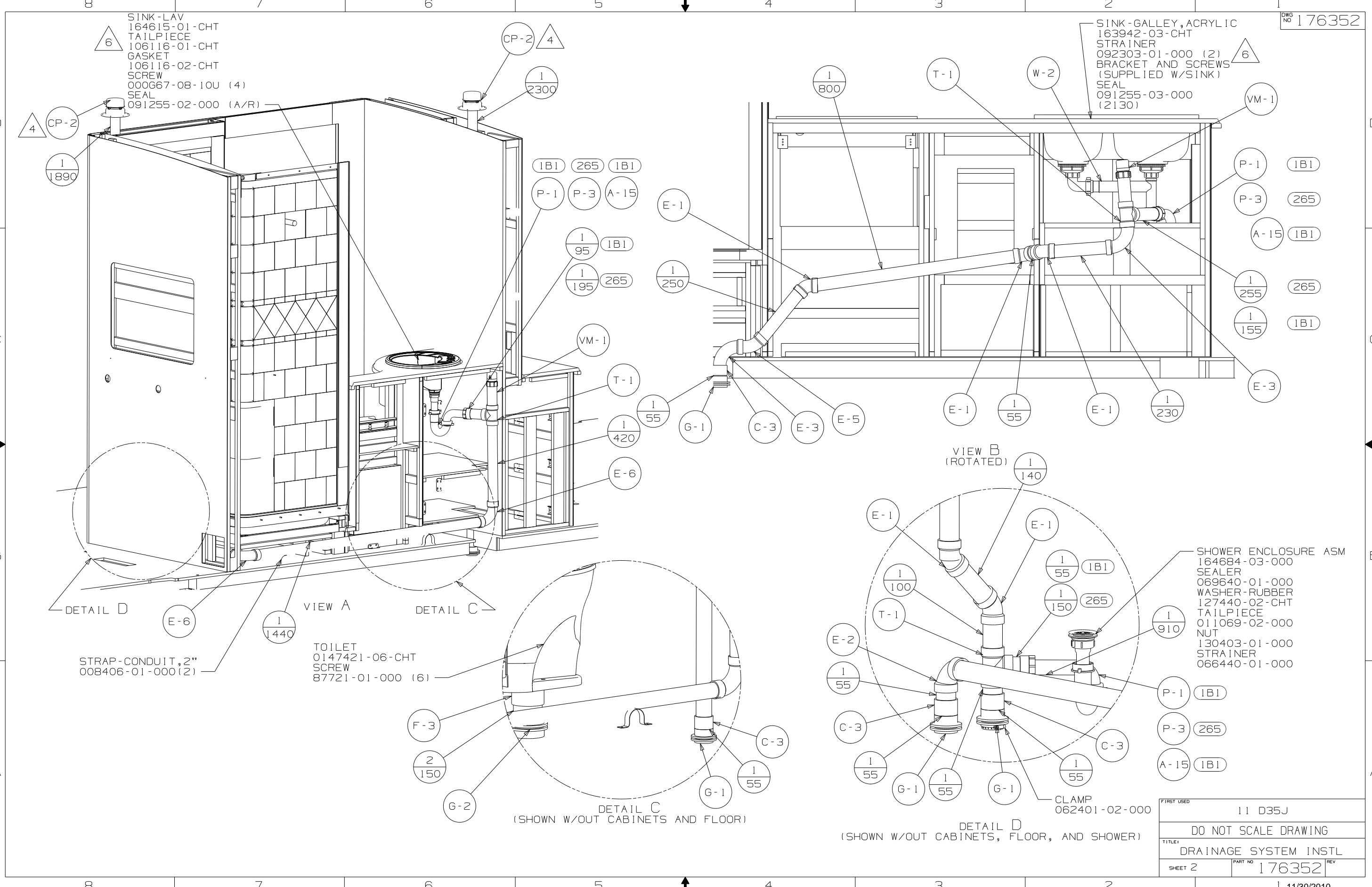
(B1) CODES/STANDARDS-USA
 (265) CODES/STDA-CSA/CMVSS



D/FR	ORIG. DATE
CHKR	ALL DIMENSIONS ARE IN MILLIMETERS
P.E.	
M.E.	FIRST USED
DSNR	11 035J
UNSPECIFIED TOLERANCES ARE:	MATERIAL:
WHOLE DIM (X) :	3
ONE-PLACE (X.X) :	
TWO-PLACE (X.XX) :	
ANGLE :	
THIRD ANGLE PROJECTION	
DO NOT SCALE DRAWING	REFER TO ES0018 FOR FASTENER TIGHTENING GUIDELINES
TITLE:	DRAINAGE SYSTEM INSTL
SHEET 1 OF 3	PART NO 176352

FOR DRAINAGE CALLOUTS SEE DWG NO 116229-01-000

8 7 6 5 4 3 2



SINK-LAV
164615-01-CHT
TAILPIECE
106116-01-CHT
GASKET
106116-02-CHT
SCREW
000667-08-10U (4)
SEAL
091255-02-000 (A/R)

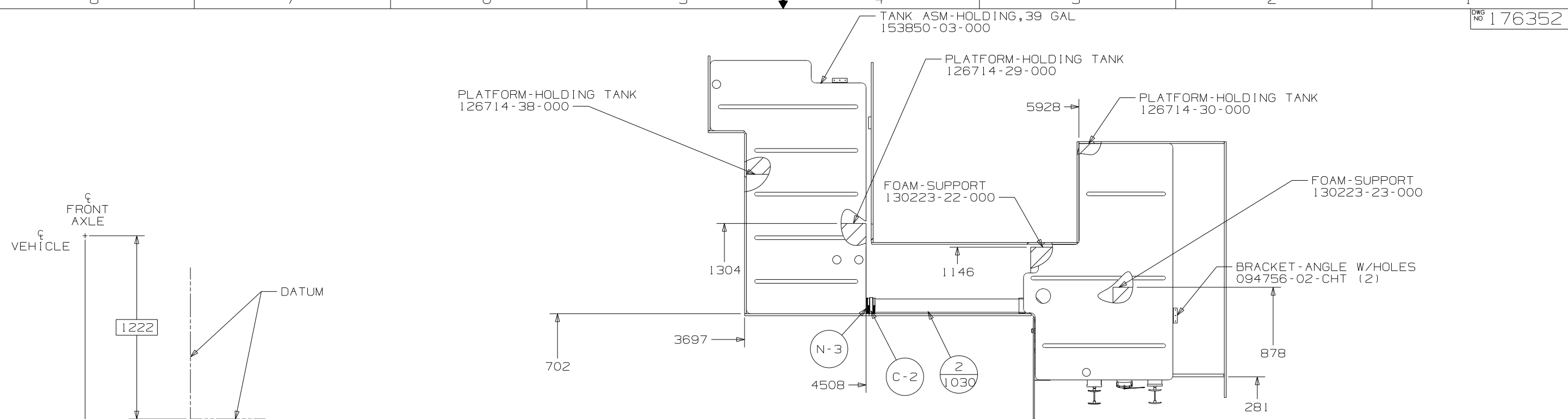
SINK-GALLEY, ACRYLIC
163942-03-CHT
STRAINER
092303-01-000 (2)
BRACKET AND SCREWS
(SUPPLIED W/SINK)
SEAL
091255-03-000
(2130)

SHOWER ENCLOSURE ASM
164684-03-000
SEALER
069640-01-000
WASHER-RUBBER
127440-02-CHT
TAILPIECE
011069-02-000
NUT
130403-01-000
STRAINER
066440-01-000

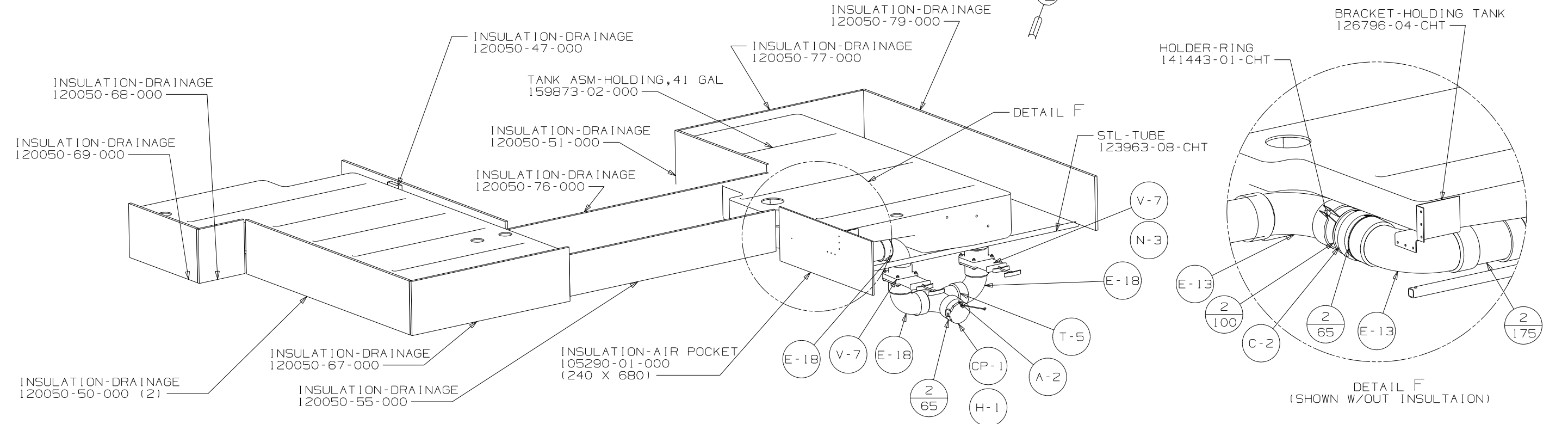
TOILET
0147421-06-CHT
SCREW
87721-01-000 (6)

STRAP-CONDUIT, 2"
008406-01-000 (2)

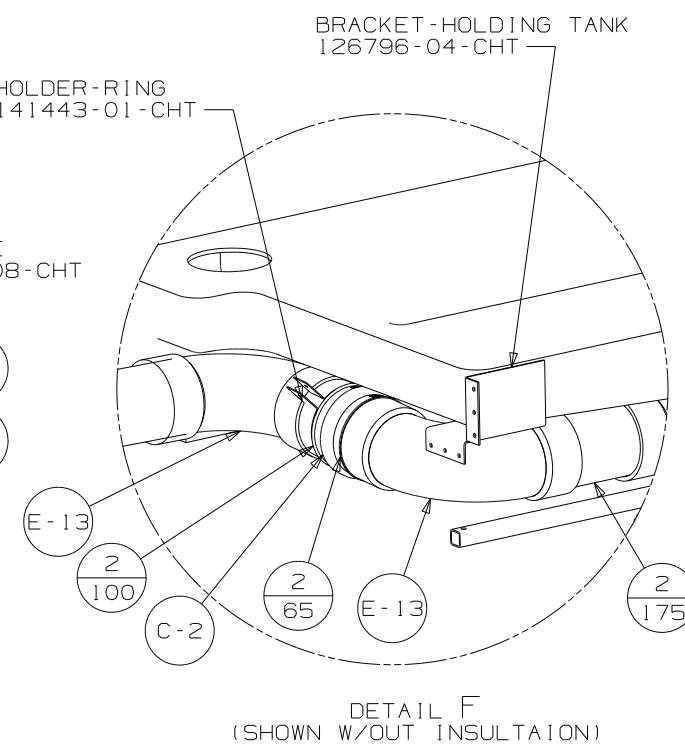
FIRST USED	11 D35J
DO NOT SCALE DRAWING	
TITLE: DRAINAGE SYSTEM INSTL	
SHEET 2	PART NO 176352 REV



SHOWING TANKS AND DRAINS

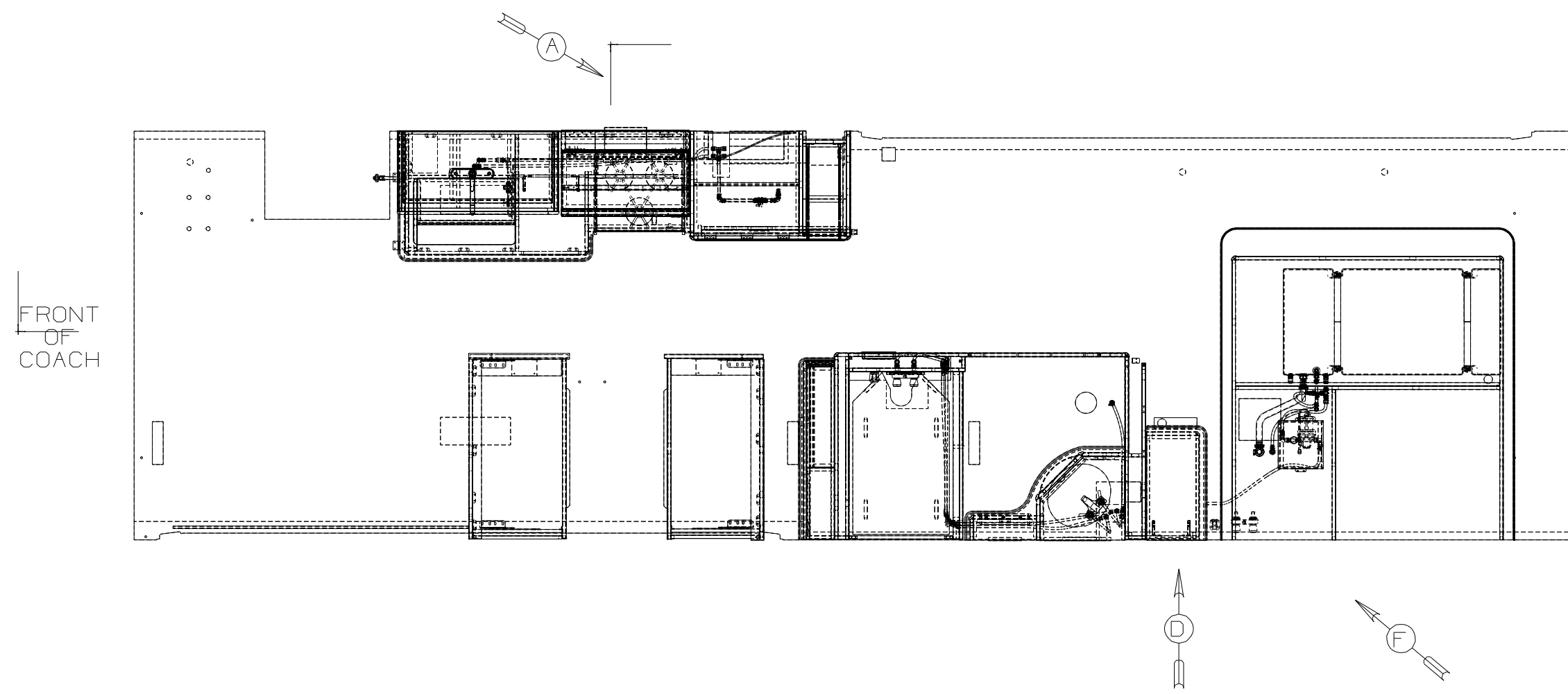


VIEW E



DETAIL F (SHOWN W/OUT INSULATION)

FIRST USED	11 D35J
DO NOT SCALE DRAWING	
TITLE	DRAINAGE SYSTEM INSTL
SHEET 3	PART NO 176352 REV



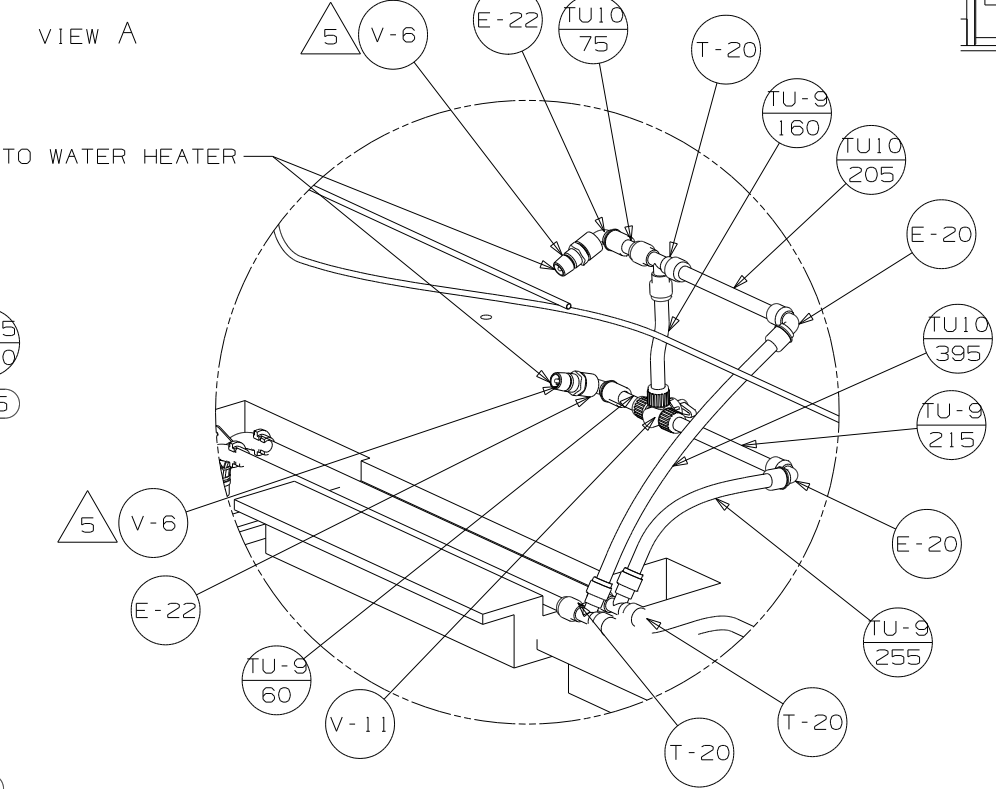
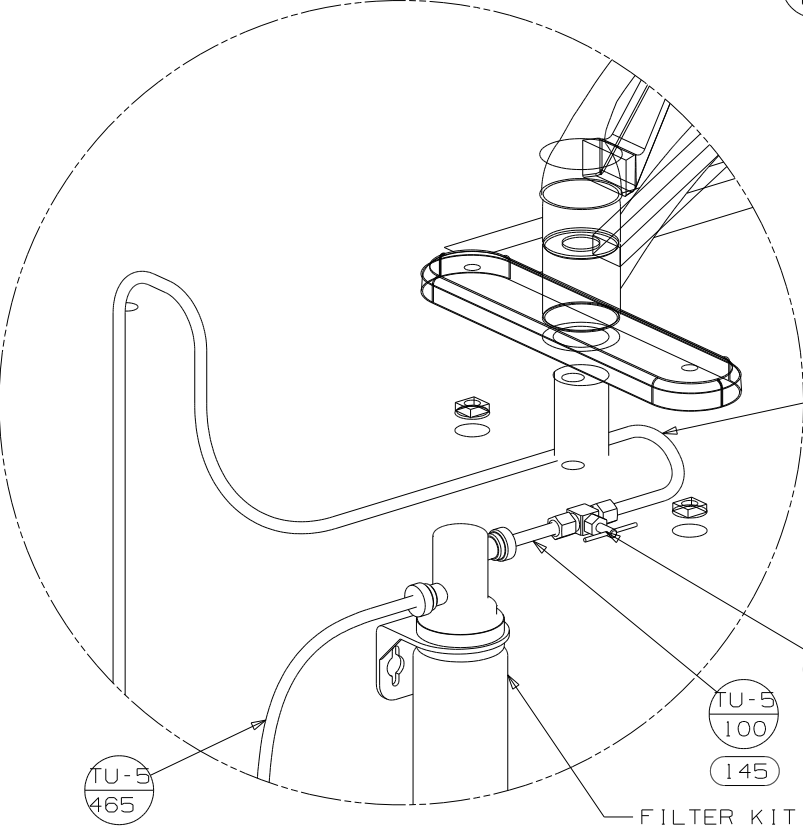
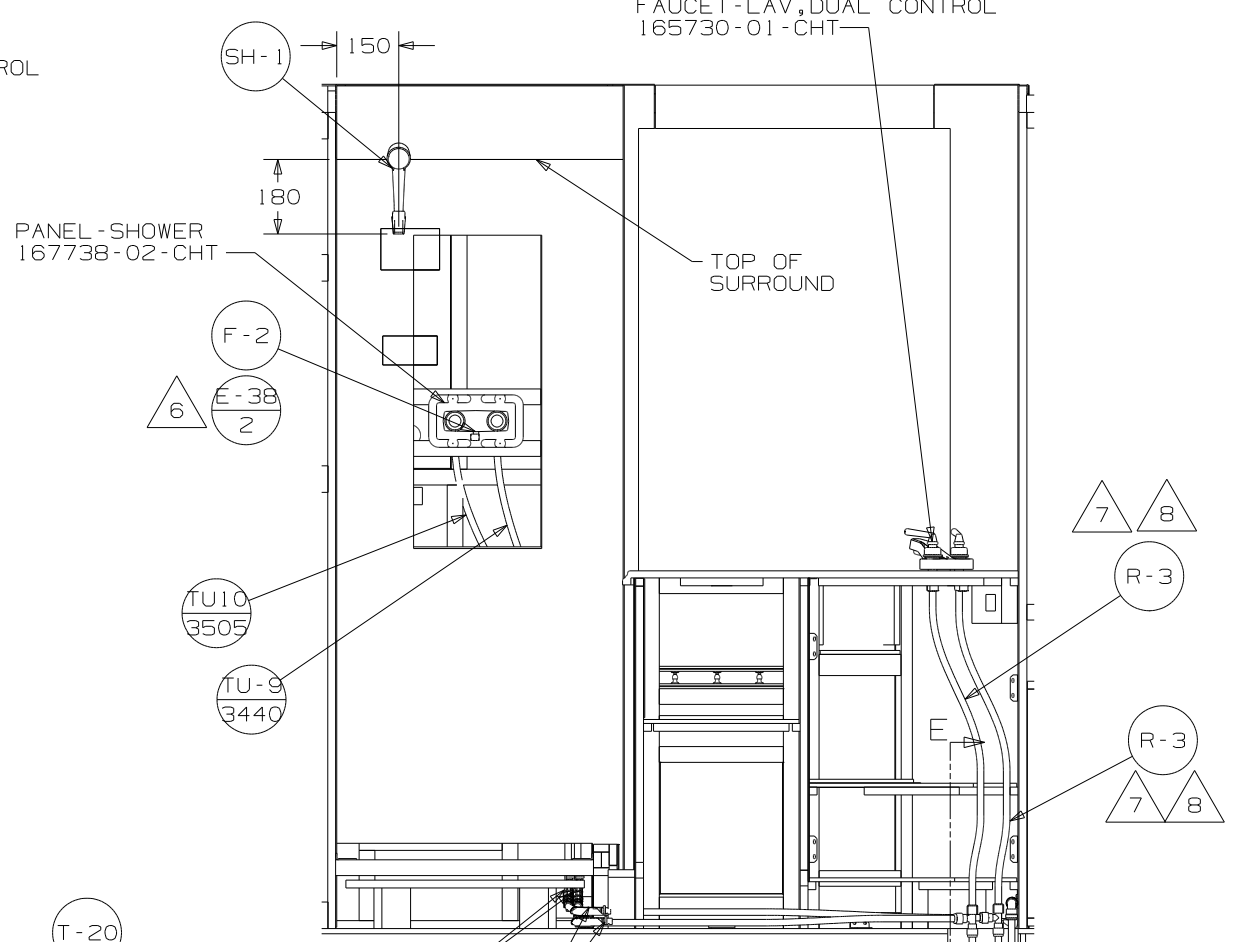
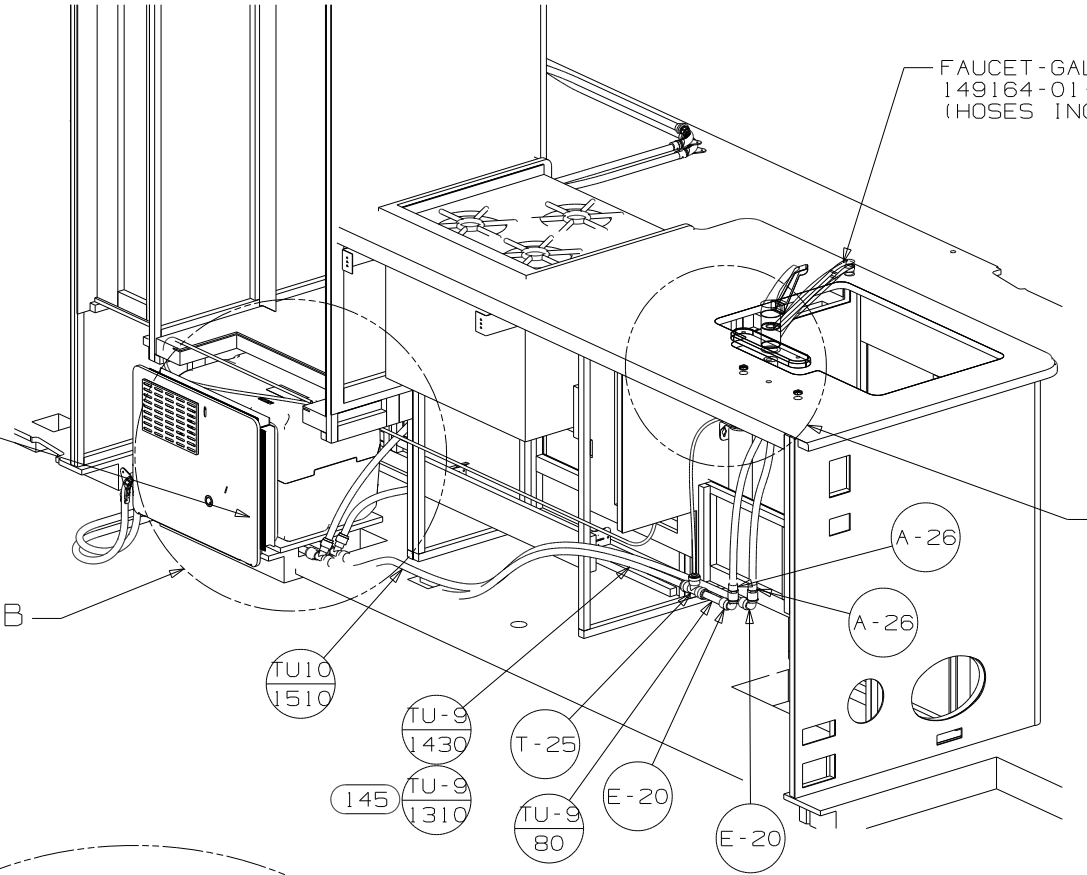
- NOTES:
- 9. ADD TEFLON TAPE 10405-03-000.
 - 8. LABEL HOT AND COLD SUPPLY TUBES.
 - 7. TAPE FITTING TO TUBE BEFORE CABINET SET TO PREVENT FITTING FROM MOVING.
 - 6. ADD TEFLON TAPE 10405-01-000.
 - 5. ADD TEFLON TAPE 10405-02-000.
 - 4. ADD PIPE WRAP (LADDER SCRAP) INSULATION HERE.
3. ALL TUBING TO BE SECURED AT 1200 INTERVALS MAXIMUM WITH CLAMP 10495-01-000 AND SCREW G67-10-12B OR EQUIVALENT.
 2. TUBING TO BE INSTALLED WITH SUFFICIENT SLOPE TO PROVIDE DRAINAGE TO NEAREST VALVE.
 1. PLASTIC FITTINGS TO BE SEALED WITH SEALANT 84456-01-000.

- 144 REFRIGERATOR-DOUBLE DOOR
- 145 REFR-EXTRA CAP W/ICEMAKER

WINNEBAGO		COPYRIGHT 2010 WINNEBAGO INDUSTRIES, INC.	
DFTR	ORIG. DATE	ALL DIMENSIONS ARE IN MILLIMETERS	
CHKR		FIRST USED	
P.E.		11 D35J	
M.E.		UNSPECIFIED TOLERANCES ARE:	
DSNR		MATERIAL:	
		WHOLE DIM (X) :	3
		ONE-PLACE (X.X) :	
		TWO-PLACE (X.XX) :	
		ANGLE :	
		THIRD ANGLE PROJECTION	
DO NOT SCALE DRAWING		REFER TO ES0018 FOR FASTENER TIGHTENING GUIDELINES	
TITLE: WATER SYSTEM INSTL			
SHEET 1 OF 5	PART NO	176351	REV
REF:	1 9/28/2010		

(X-X)
FOR
WATER
CALLOUTS
SEE DWG NO
116230-01-000

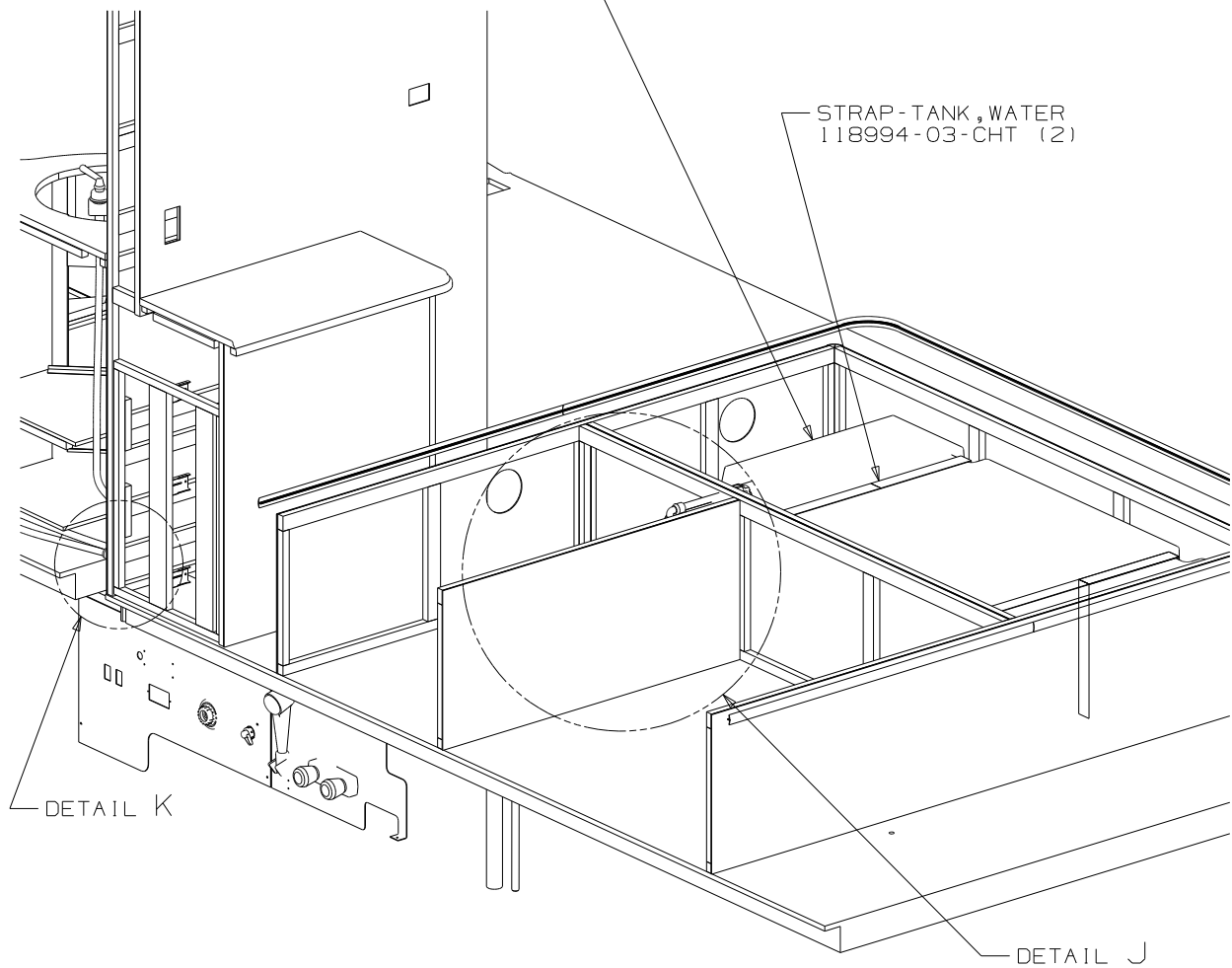
- WATER HEATER
145541-02-000
- DOOR
125420-06-CHT
- PLYWOOD
173882-4M-OCA
- SCREW
000G55-08-266B (2)
- AL EXTR
002726-51-027
- 002726-51-017 (2)
- SCREW
000G39-10-169 (18)
- CABLE
076767-03-000
- SCREW
000G11-06-08B (2)
- SEALANT



FIRST USED	11 D35J		
TITLE	DO NOT SCALE DRAWING		
	WATER SYSTEM INSTL		
SHEET 2	PART NO	176351	REV

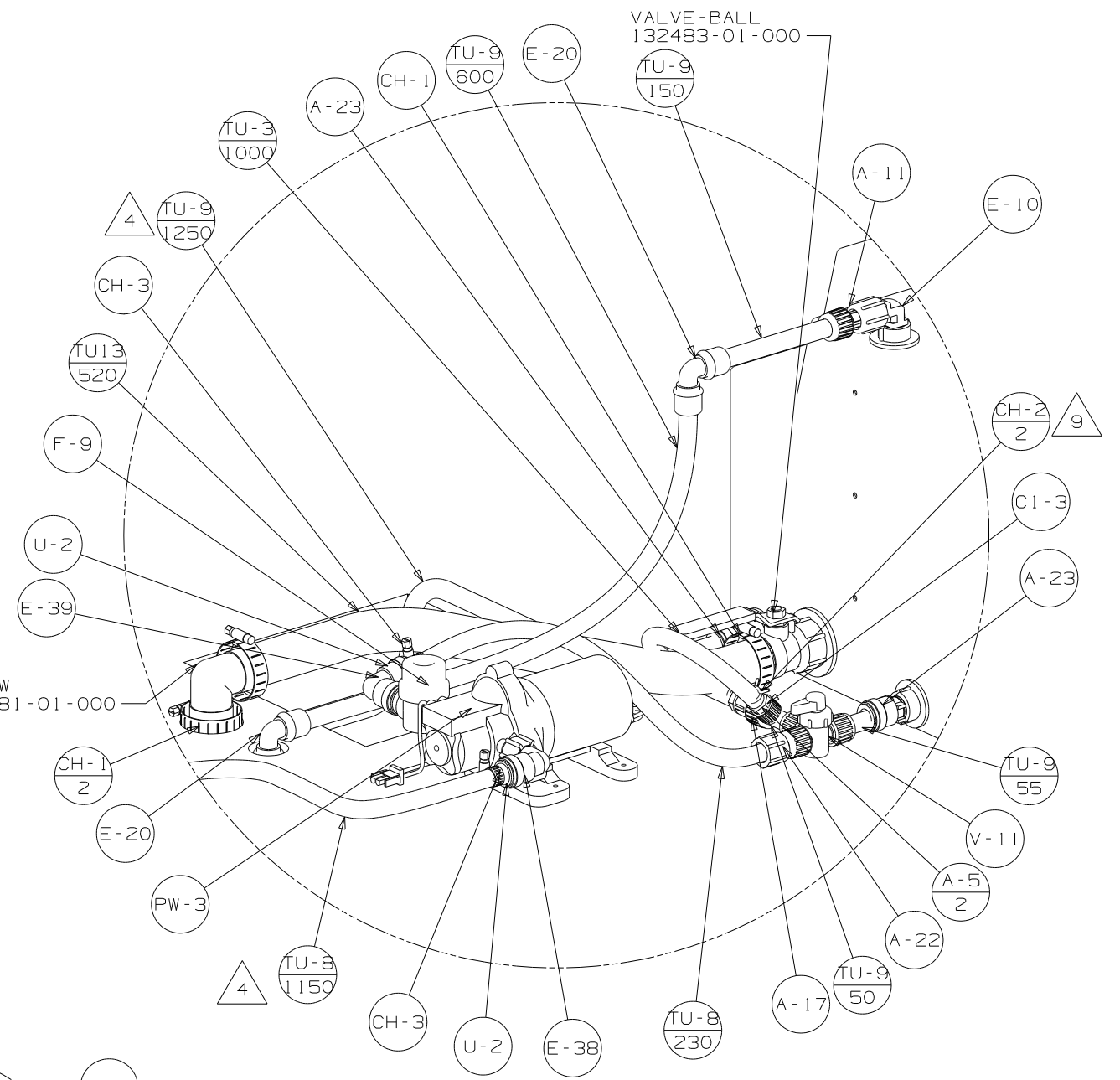
- TANK - WATER, 70 GAL
085189-10-000
- BOLT
000C16-05-96B (4)
- WASHER
000E13-22-00U (8)
- NUT
000D39-06-00U (8)
- PIPE
010644-51-002 (4)

STRAP - TANK, WATER
118994-03-CHT (2)

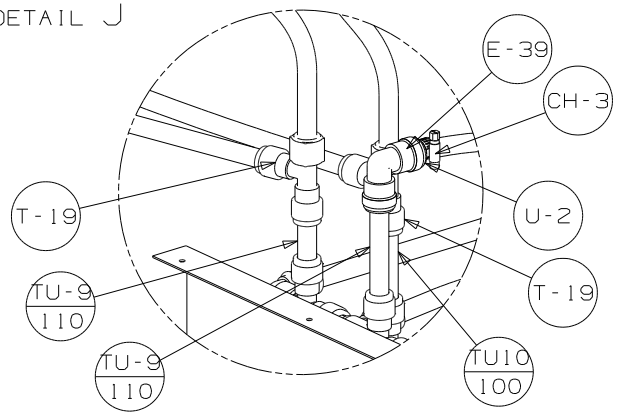


VIEW F

ELBOW
132781-01-000

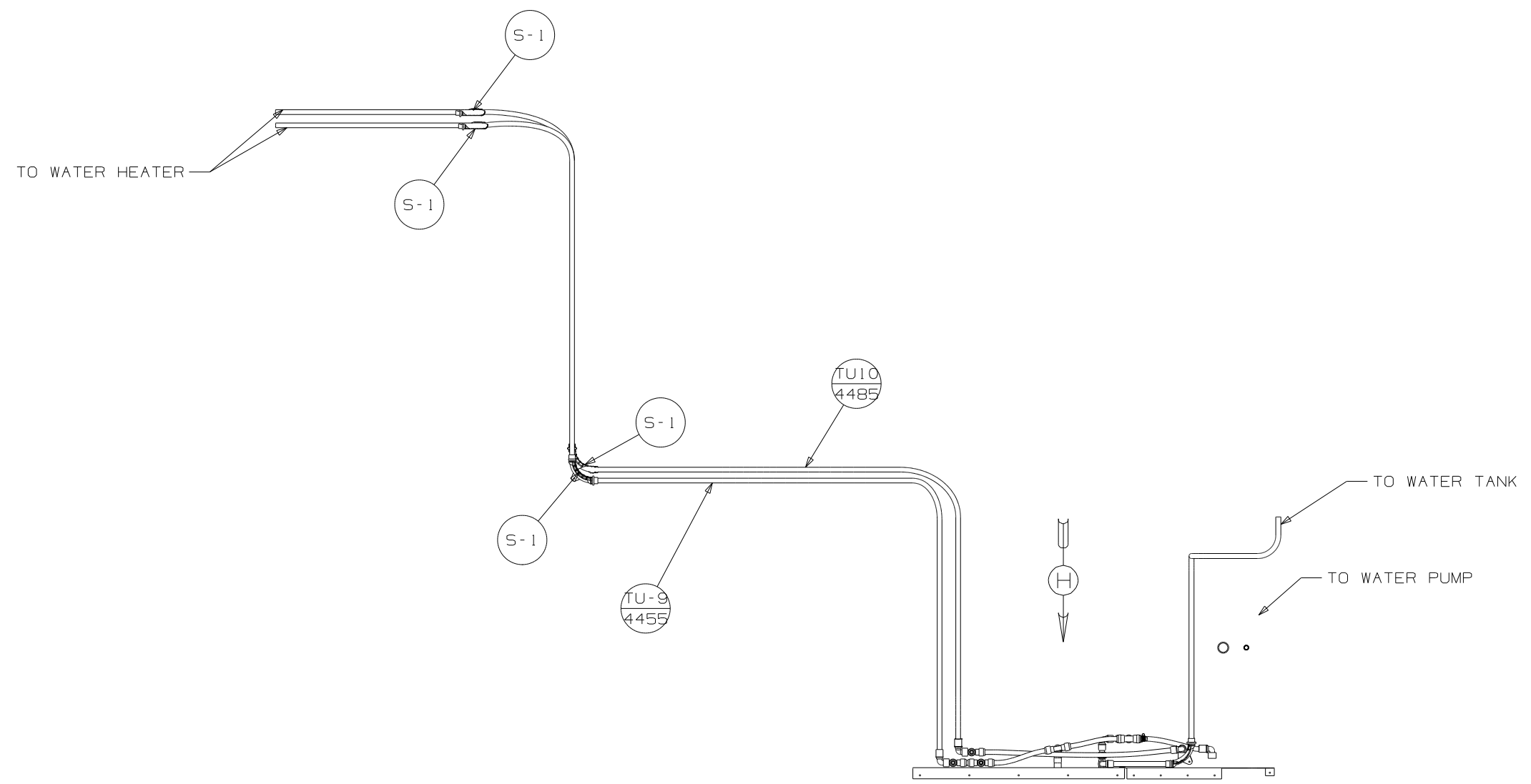


DETAIL J
(SHOWN W/OUT CABINETS)



DETAIL K
(SHOWN W/OUT CABINETS AND FLOOR)

FIRST USED	11 D35J	
TITLE:	DO NOT SCALE DRAWING	
SHEET 3	PART NO	176351
	REV	9/28/2010

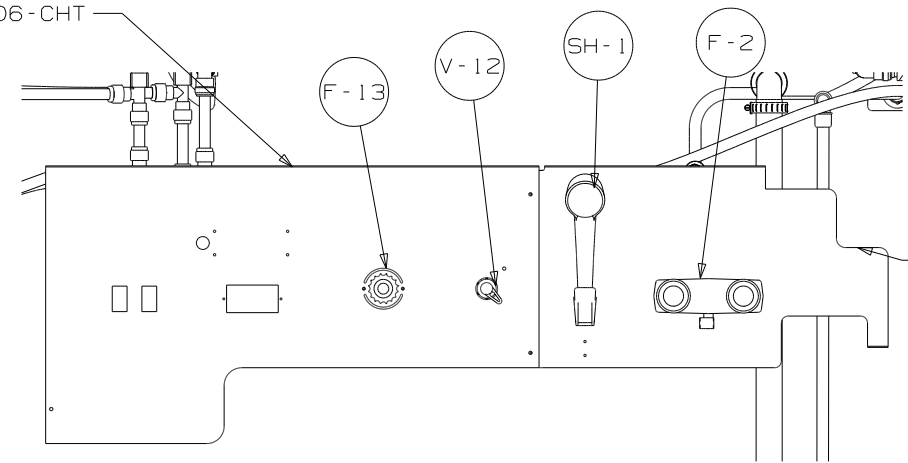


FRONT OF COACH

SHOWING LINES UNDER FLOOR

FIRST USED	11 D35J		
TITLE:	DO NOT SCALE DRAWING		
	WATER SYSTEM INSTL		
SHEET 4	PART NO	176351	REV

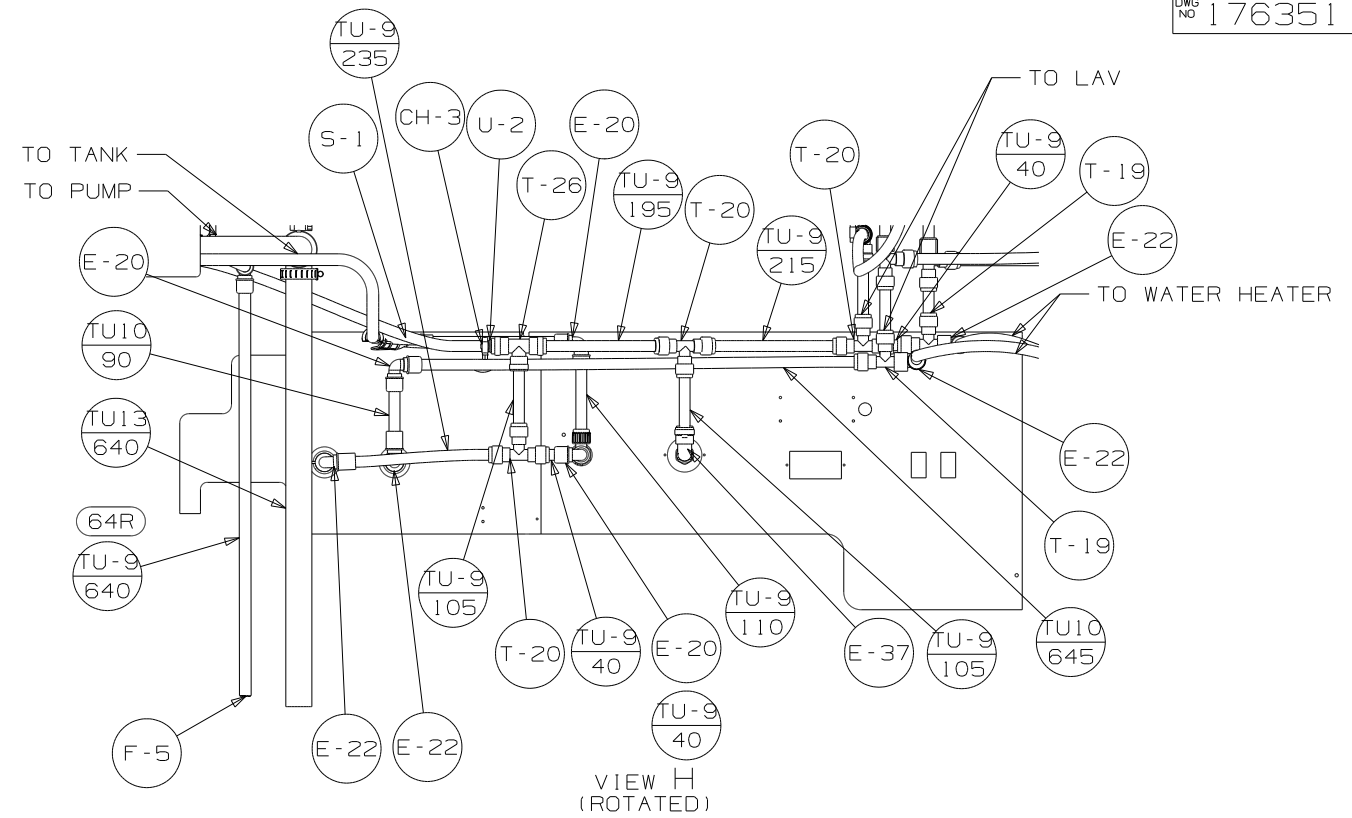
PANEL - SERVICE CENTER
154823-06-CHT



VIEW G

PANEL - SERVICE CENTER
154824-03-CHT

TO TANK
TO PUMP



VIEW H
(ROTATED)

FIRST USED	11 D35J		
TITLE:	DO NOT SCALE DRAWING		
TITLE:	WATER SYSTEM INSTL		
SHEET 5	PART NO	176351	REV