

FRONT OF COACH

- 10. USE SMOOTH PLUMBERS PUTTY 167459-01-000 TO SEAL STRAINER (0.2 PER STRAINER).
- 9. APPLY PRIMER 126427-02-000 AND CEMENT 126427-01-000 BETWEEN ELBOW AND FLEX PIPE.
- 8. SECURE DRAINAGE PIPES TO CABINET USING WIRE TIE 108046-02-000, AND SCREW 000G67-10-12B AT INTERVALS OF NOT MORE THAN 4 FEET APART.
- 7. SECURE VENT PIPE TO FLOOR WITH CLAMP 062401-02-000 (2), SCREW G67-10-12B (2), BRACKET 136878-01-CHT (2).
- 6. VENT PIPE MUST PROJECT 51 MIN AND 64 MAX ABOVE ROOF FOR PROPER FIT AND FUNCTION.
- 5. SEAL AROUND SHOWER WITH SILICONE.
- 4. ATTACH TANK BRACKET TO RISER.
- 3. ALL PIPE AND FITTINGS TO BE ASSEMBLED WITH SOLVENT 004020-01-000 (USA), 004020-02-000 (CAN)
- 2. SLOPE OF TRAP ARM MUST BE 6 PER 305 mm.
- 1. SLOPE OF HORIZONTAL PIPING TO BE MINIMUM OF 3 PER 305 mm.

NOTES:

- (B1) CODES/STANDARDS-USA
- (265) CODES/STANDARDS-CSA/CMVSS

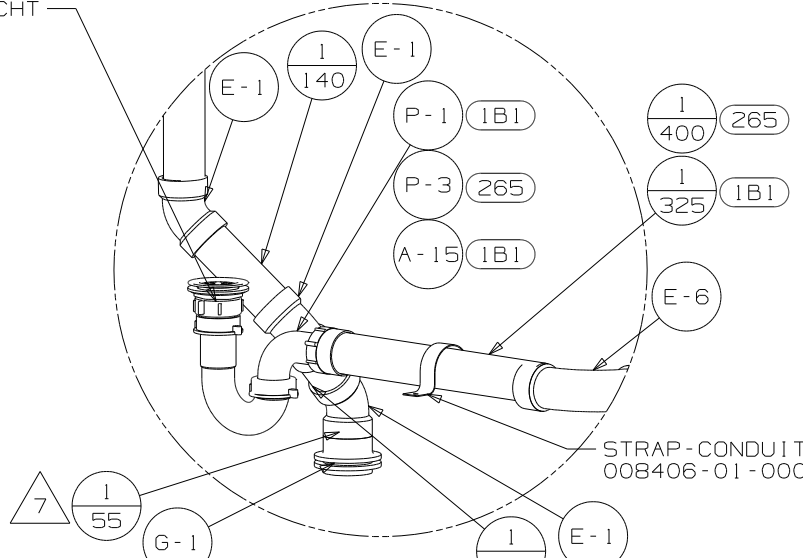
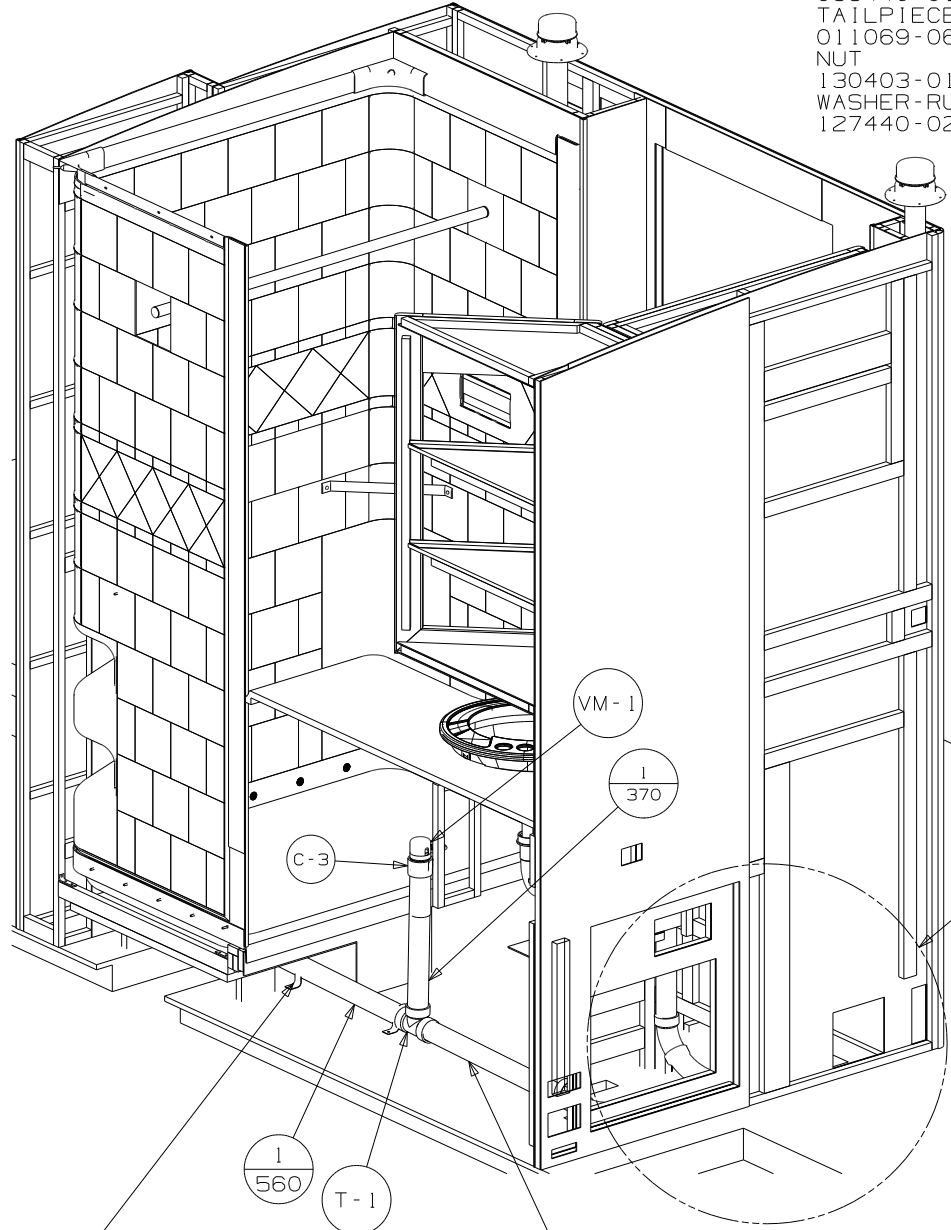
| | | | |
|---------------------------------|------------|---|--------|
| WINNEBAGO | | COPYRIGHT 2010 WINNEBAGO INDUSTRIES, INC. | |
| DFT | ORIG. DATE | ALL DIMENSIONS ARE IN MILLIMETERS | |
| CHKR | | FIRST USED | |
| P.E. | | 11 D33C | |
| M.E. | | UNSPECIFIED TOLERANCES ARE: | |
| DSNR | | MATERIAL: | |
| | | WHOLE DIM (X) | : 3 |
| | | ONE-PLACE (X.X) | : 1.5 |
| | | TWO-PLACE (X.XX) | : 0.50 |
| | | ANGLE | : 1° |
| | | THIRD ANGLE PROJECTION | |
| DO NOT SCALE DRAWING | | REFER TO ES0018 FOR FASTENER TIGHTENING GUIDELINES | |
| TITLE: DRAINAGE SYSTEM INSTL | | | |
| SHEET 1 OF 4 | PART NO | REV | |
| | 175779 | | |

FOR
DRAINAGE
CALLOUTS
SEE DWG NO
116229-01-000

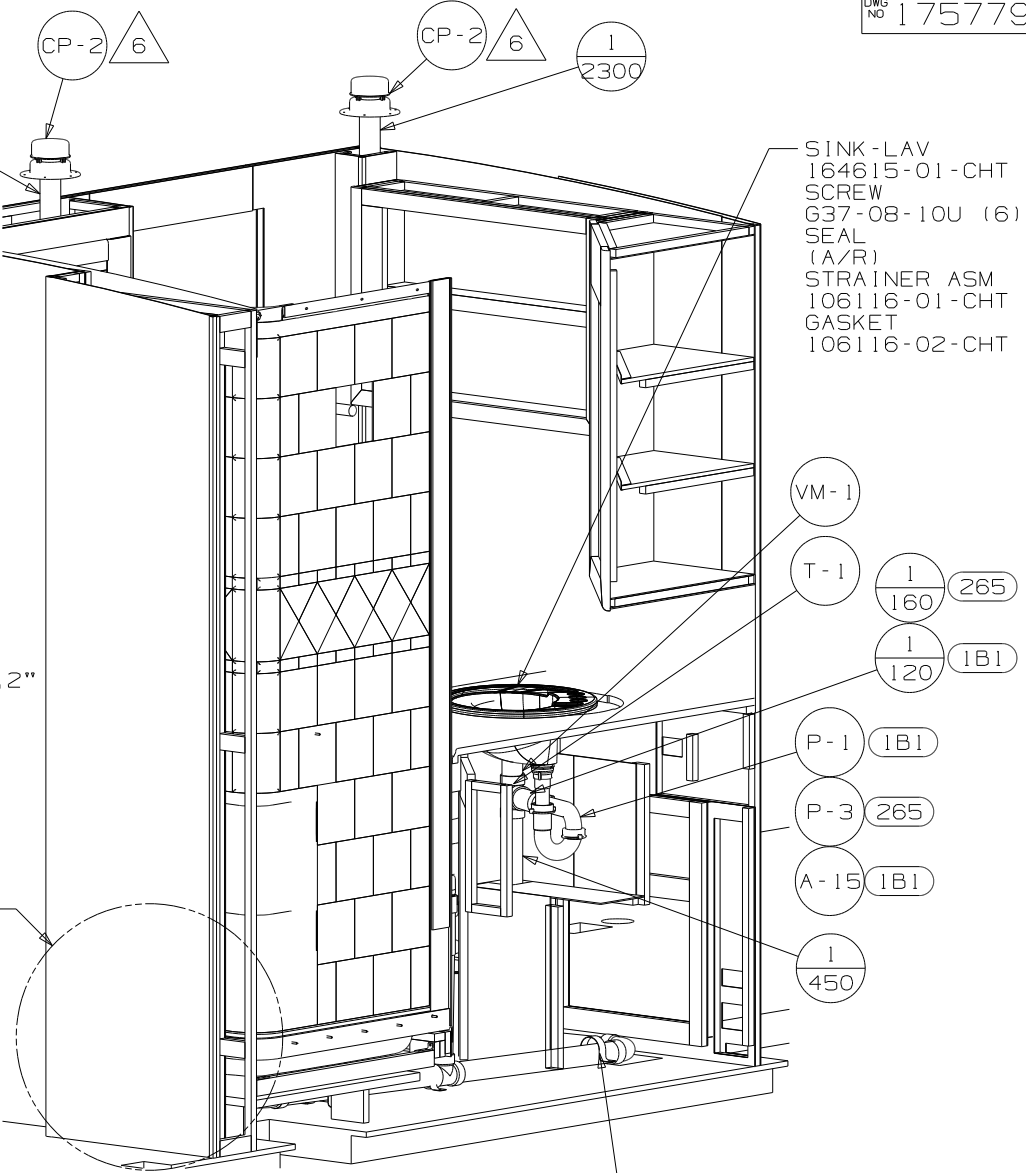


SHOWER INSTL
164684-03-000
STRAINER
066440-01-000
TAILPIECE
011069-06-000
NUT
130403-01-000
WASHER-RUBBER
127440-02-CHT

SINK-LAV
164615-01-CHT
SCREW
G37-08-10U (6)
SEAL
(A/R)
STRAINER ASM
106116-01-CHT
GASKET
106116-02-CHT

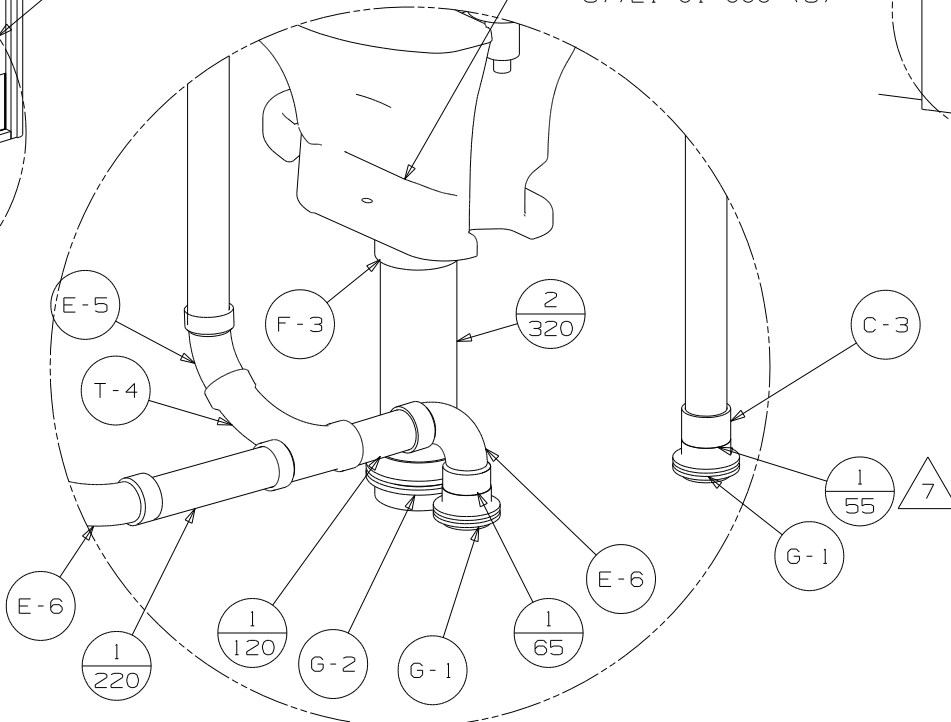


DETAIL D
(SHOWN W/OUT SHOWER, CABINETS, AND FLOOR)



VIEW C

TOILET
147421-03-CHT
SCREW
87721-01-000 (8)

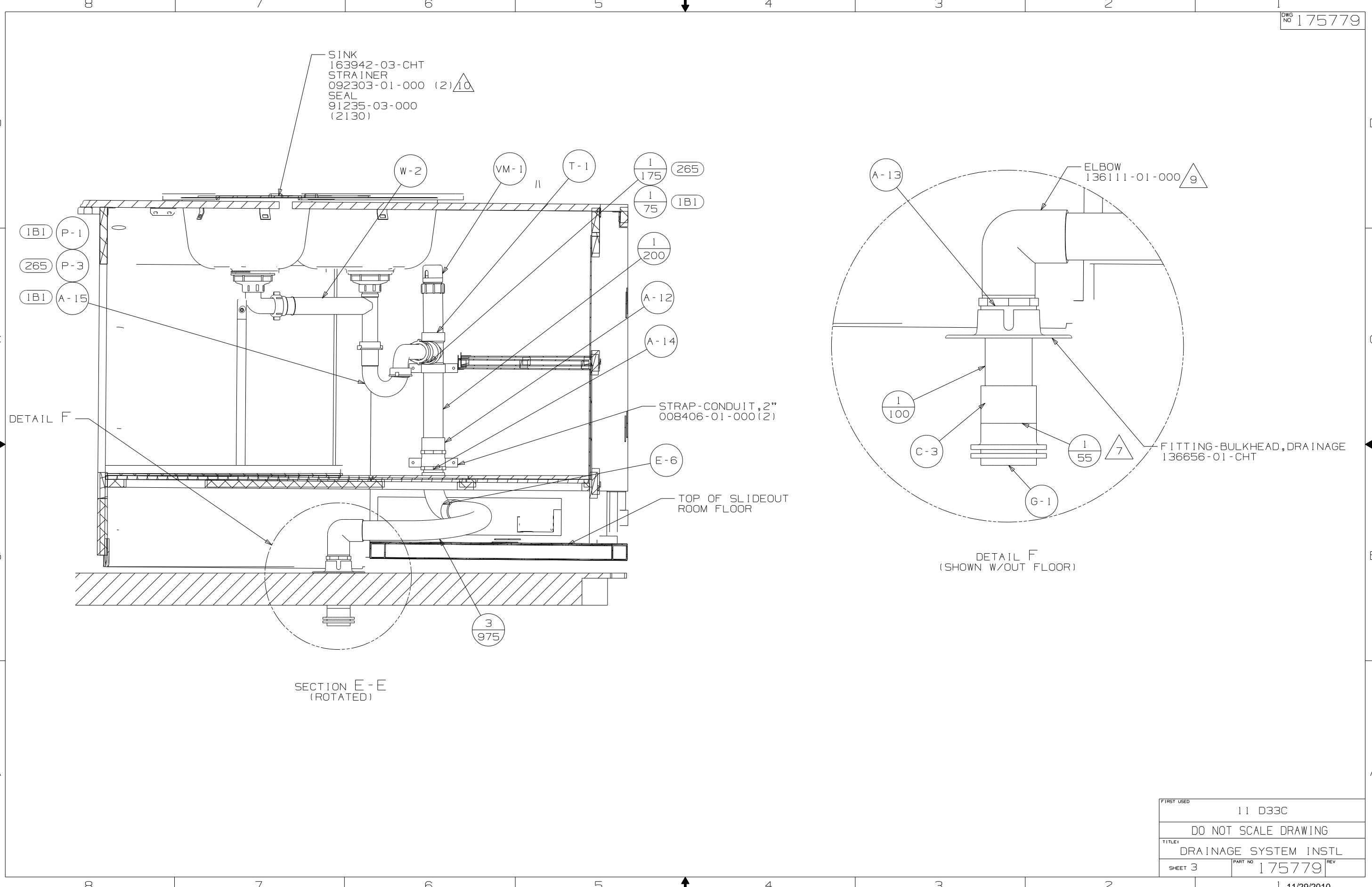


DETAIL B
(SHOWN W/OUT FLOOR AND CABINETS)

STRAP-CONDUIT, 2"
008406-01-000 (2)

VIEW A

| | |
|----------------------|-----------------------|
| FIRST USED | 11 D33C |
| DO NOT SCALE DRAWING | |
| TITLE: | DRAINAGE SYSTEM INSTL |
| SHEET 2 | PART NO 175779 REV |



SINK
 163942-03-CHT
 STRAINER
 092303-01-000 (2) $\triangle 10$
 SEAL
 91235-03-000
 (2) 130

ELBOW
 136111-01-000 $\triangle 9$

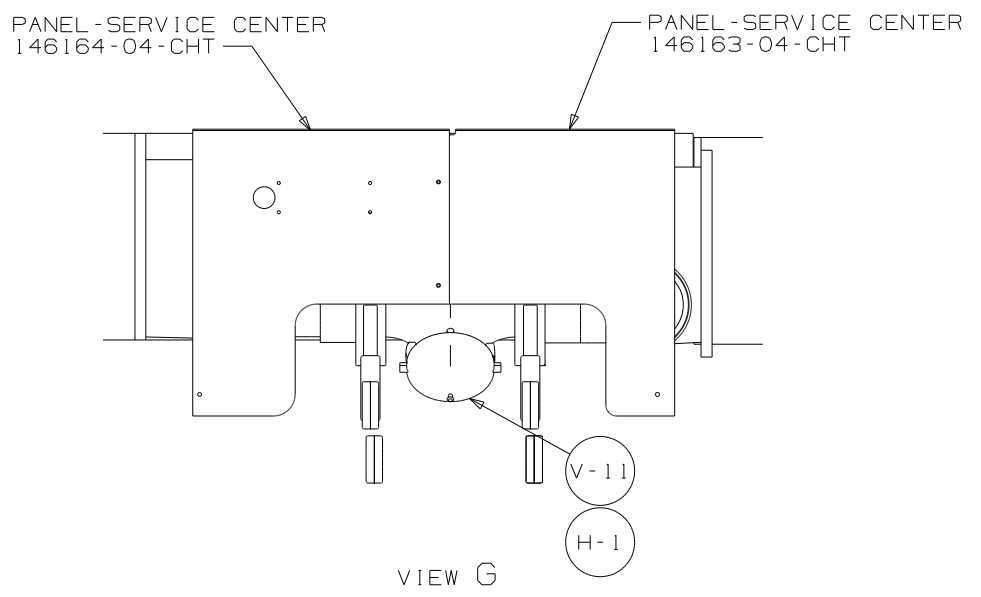
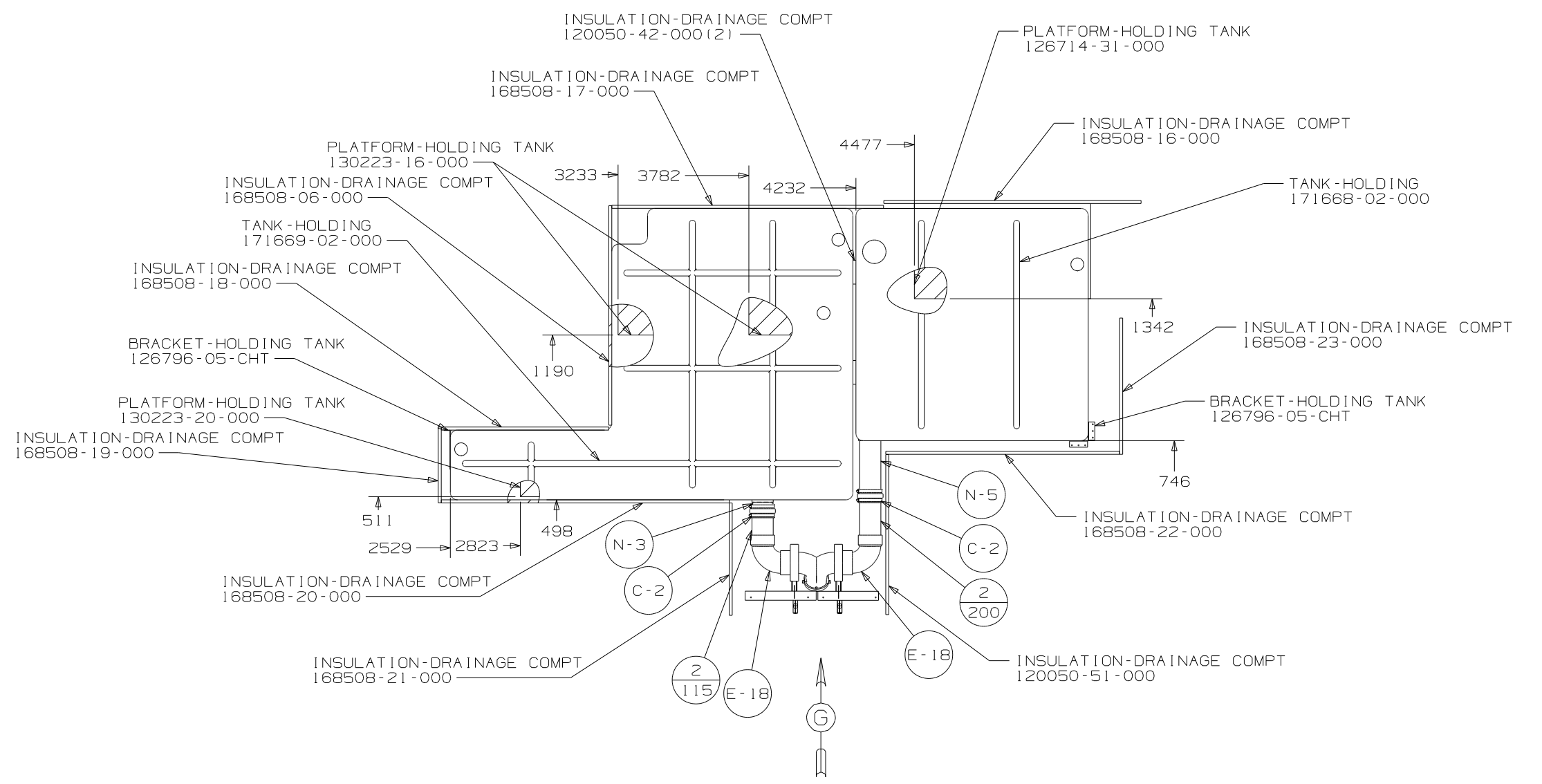
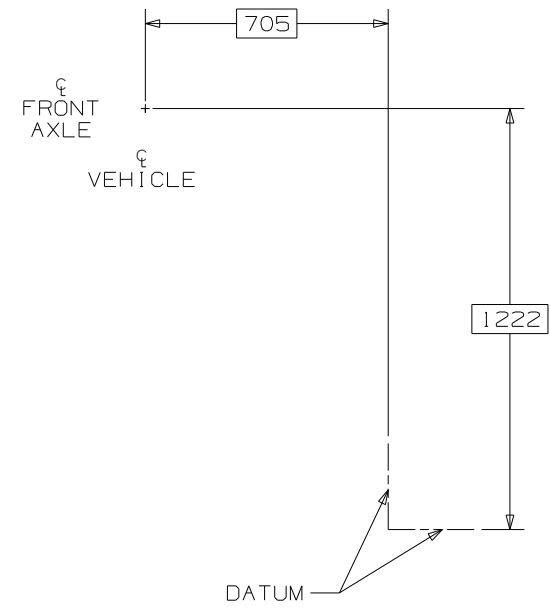
FITTING-BULKHEAD, DRAINAGE
 136656-01-CHT

STRAP-CONDUIT, 2"
 008406-01-000 (2)

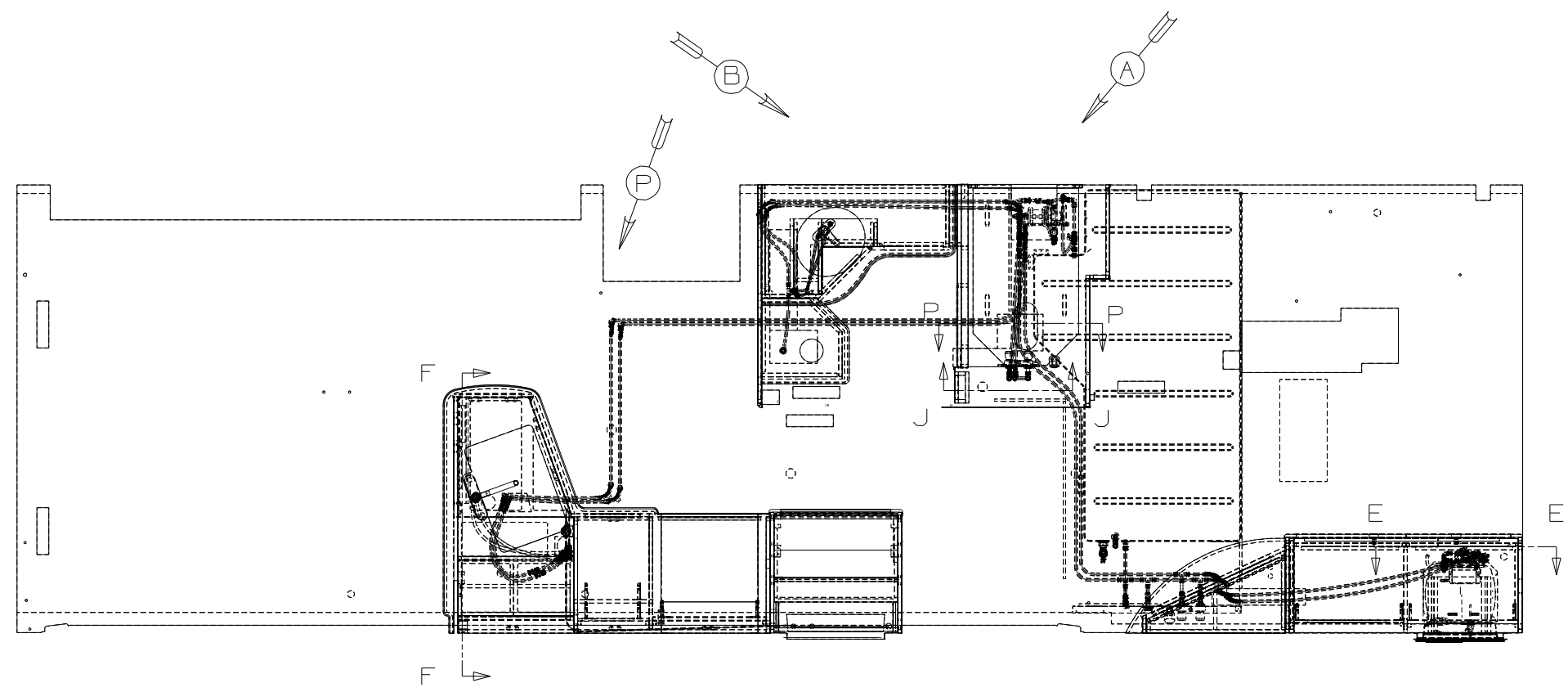
SECTION E-E
 (ROTATED)

DETAIL F
 (SHOWN W/OUT FLOOR)

| | | | |
|------------|-----------------------|--------|-----|
| FIRST USED | 11 D33C | | |
| TITLE | DO NOT SCALE DRAWING | | |
| | DRAINAGE SYSTEM INSTL | | |
| SHEET 3 | PART NO | 175779 | REV |



| | | | |
|------------|-----------------------|--------|-----|
| FIRST USED | 11 D33C | | |
| TITLE | DO NOT SCALE DRAWING | | |
| | DRAINAGE SYSTEM INSTL | | |
| SHEET 4 | PART NO | 175779 | REV |



- (144) REFRIGERATOR-DOUBLE DOOR
- (64R) EXTERIOR WASH STATION
- (145) REFR-EXTRA CAP W/ICEMAKER

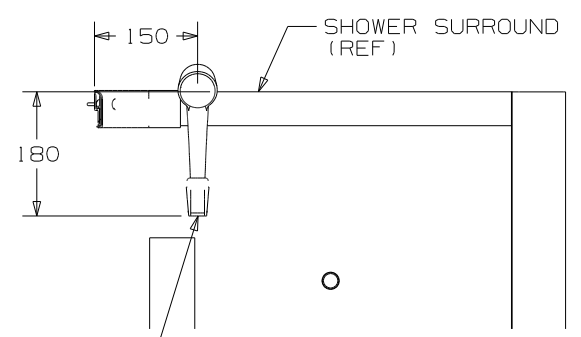
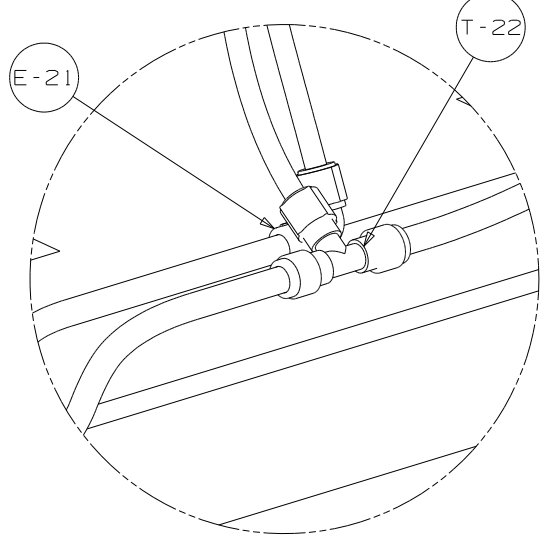
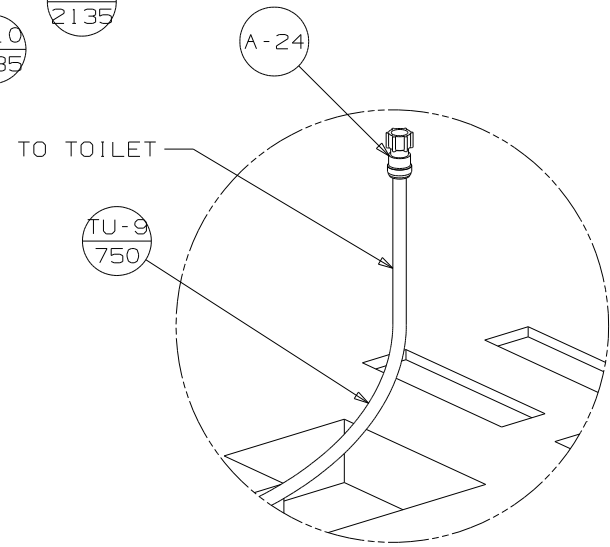
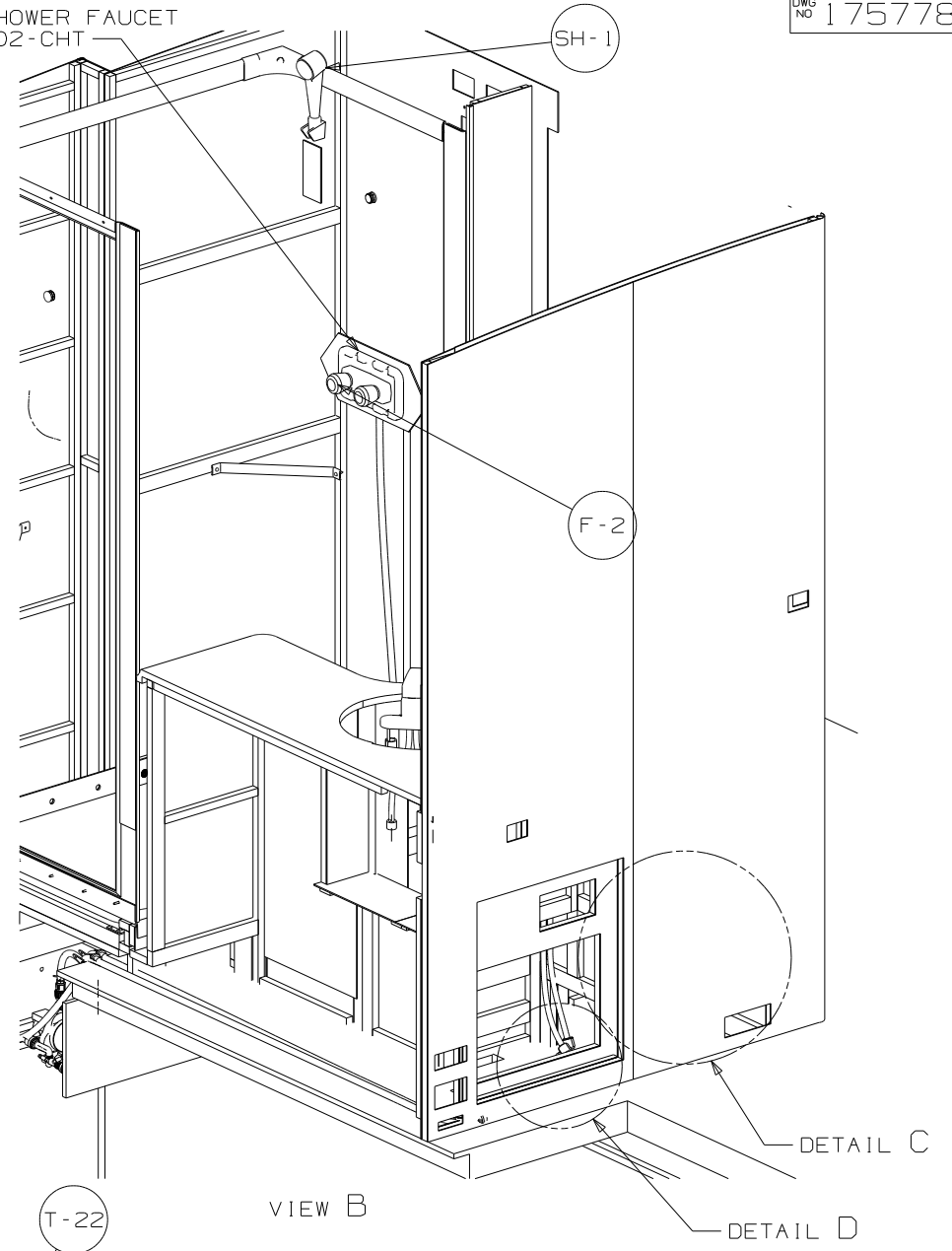
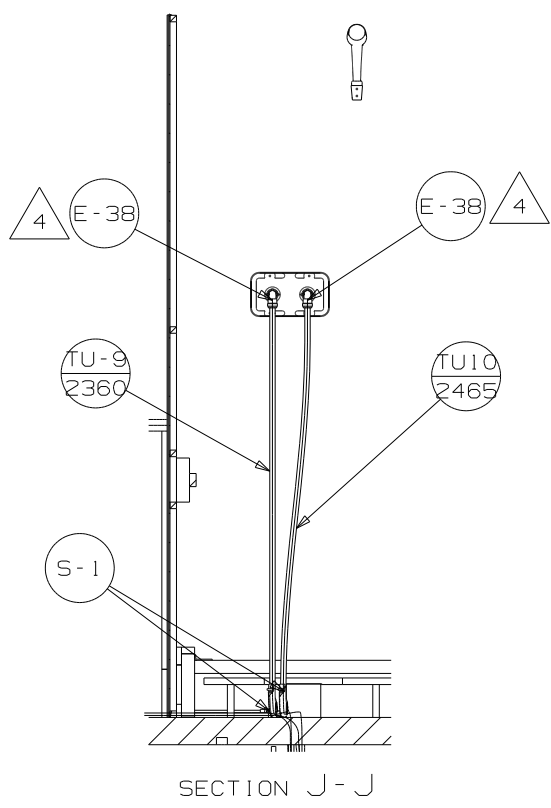
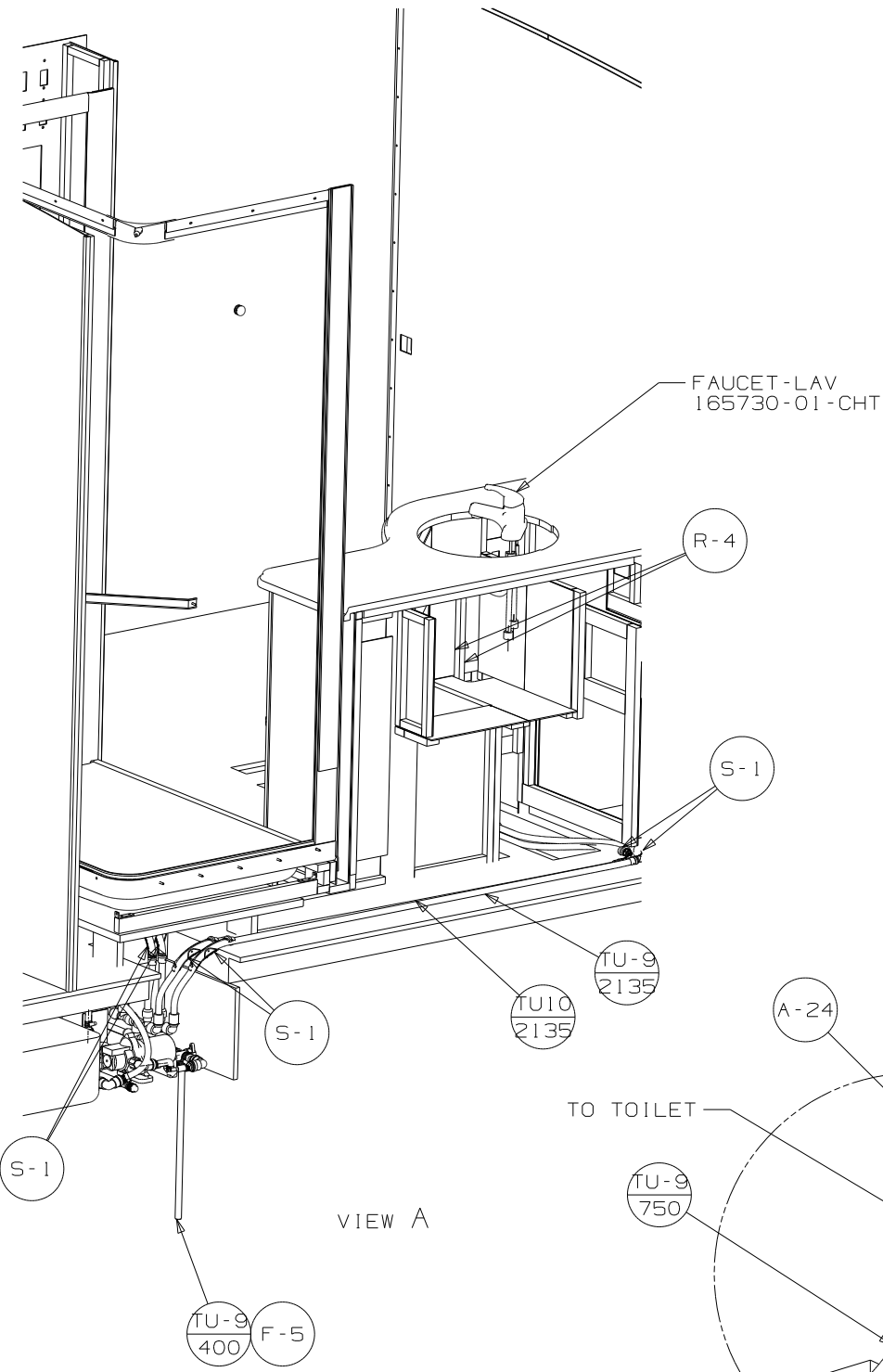
- △6 USE IN PLACE OF SUPPLIED SCREWS TO ATTACH BRACKET TO WALL.
- △5 ADD TEFLON TAPE 010405-02-000.
- △4 ADD TEFLON TAPE 010405-01-000.
- 3. ALL TUBING TO BE SECURED AT 1200 INTERVALS MAXIMUM WITH CLAMP 010495-01-000 AND SCREW 000667-10-12B OR EQUIVALENT.
- 2. TUBING TO BE INSTALLED WITH SUFFICIENT SLOPE TO PROVIDE DRAINAGE TO NEAREST VALVE.
- 1. PLASTIC FITTINGS TO BE SEALED WITH SEALANT 084456-01-000.

| | | | |
|------------------------------|-------------|--|--------|
| WINNEBAGO | | COPYRIGHT 2011 WINNEBAGO INDUSTRIES, INC. | |
| D/FR | ORIG. DATE | ALL DIMENSIONS ARE IN MILLIMETERS | |
| CHKR | | FIRST USED | |
| P.E. | | 11 D33C | |
| M.E. | | UNSPECIFIED TOLERANCES ARE: | |
| DSNR | | MATERIAL: | |
| | | WHOLE DIM (X) | : 3 |
| | | ONE-PLACE (X.X) | : 1.5 |
| | | TWO-PLACE (X.XX) | : 0.50 |
| | | ANGLE | : 1° |
| THIRD ANGLE PROJECTION | | DO NOT SCALE DRAWING REFER TO ES0018 FOR FASTENER TIGHTENING GUIDELINES | |
| TITLE: WATER SYSTEM INSTL | | | |
| SHEET 1 OF 5 | PART NO | 175778 | REV |
| REF: | 1 1/21/2011 | | |

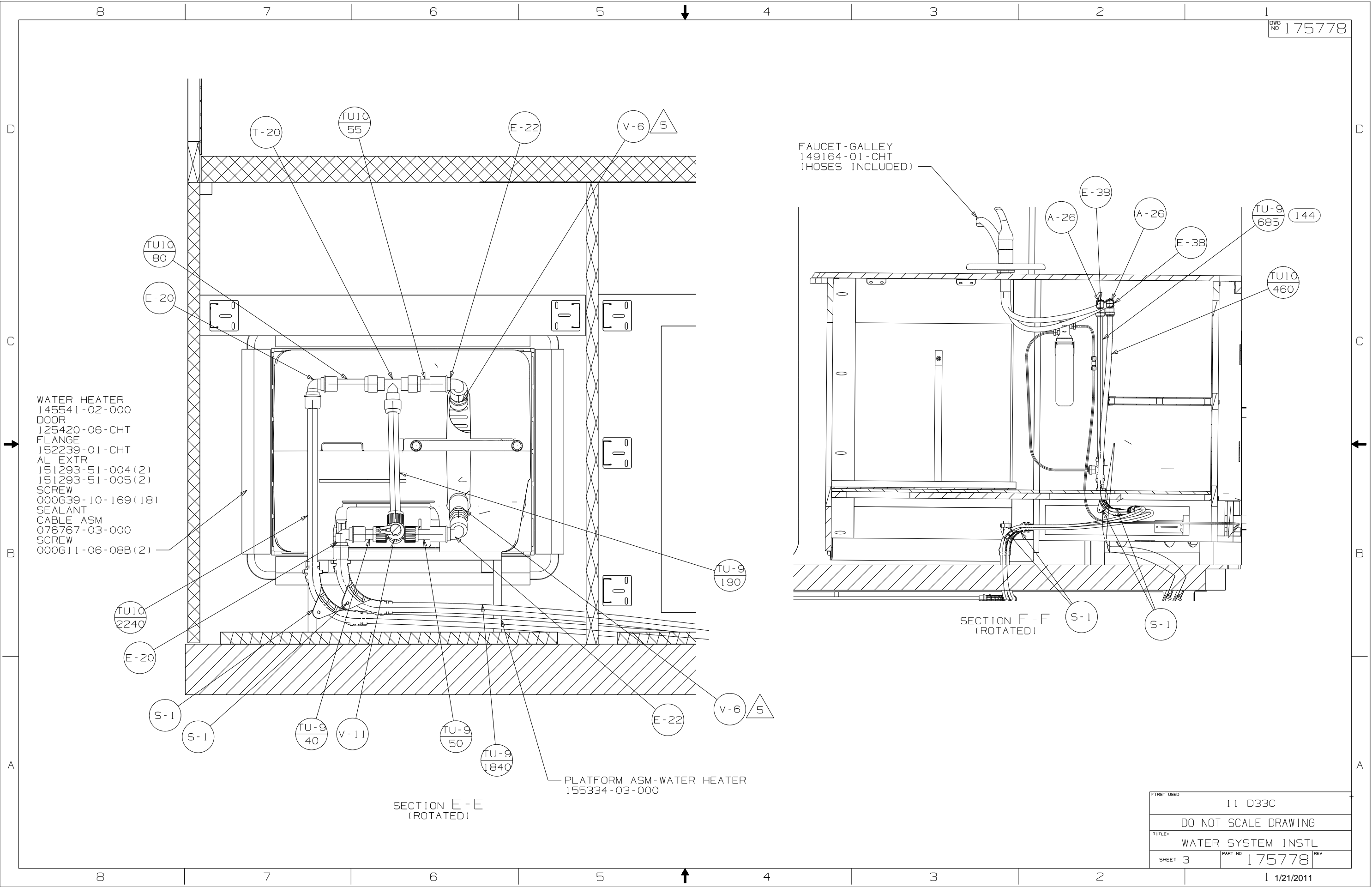
FOR
WATER
CALLOUTS
SEE DWG NO
116230-01-000

NOTES:

PANEL-SHOWER FAUCET
167738-02-CHT



| | | | |
|------------|----------------------|--------|-----|
| FIRST USED | 11 D33C | | |
| TITLE: | DO NOT SCALE DRAWING | | |
| | WATER SYSTEM INSTL | | |
| SHEET 2 | PART NO | 175778 | REV |



- WATER HEATER
145541-02-000
- DOOR
125420-06-CHT
- FLANGE
152239-01-CHT
- AL EXTR
151293-51-004 (2)
- 151293-51-005 (2)
- SCREW
000G39-10-169 (18)
- SEALANT
- CABLE ASM
076767-03-000
- SCREW
000G11-06-08B (2)

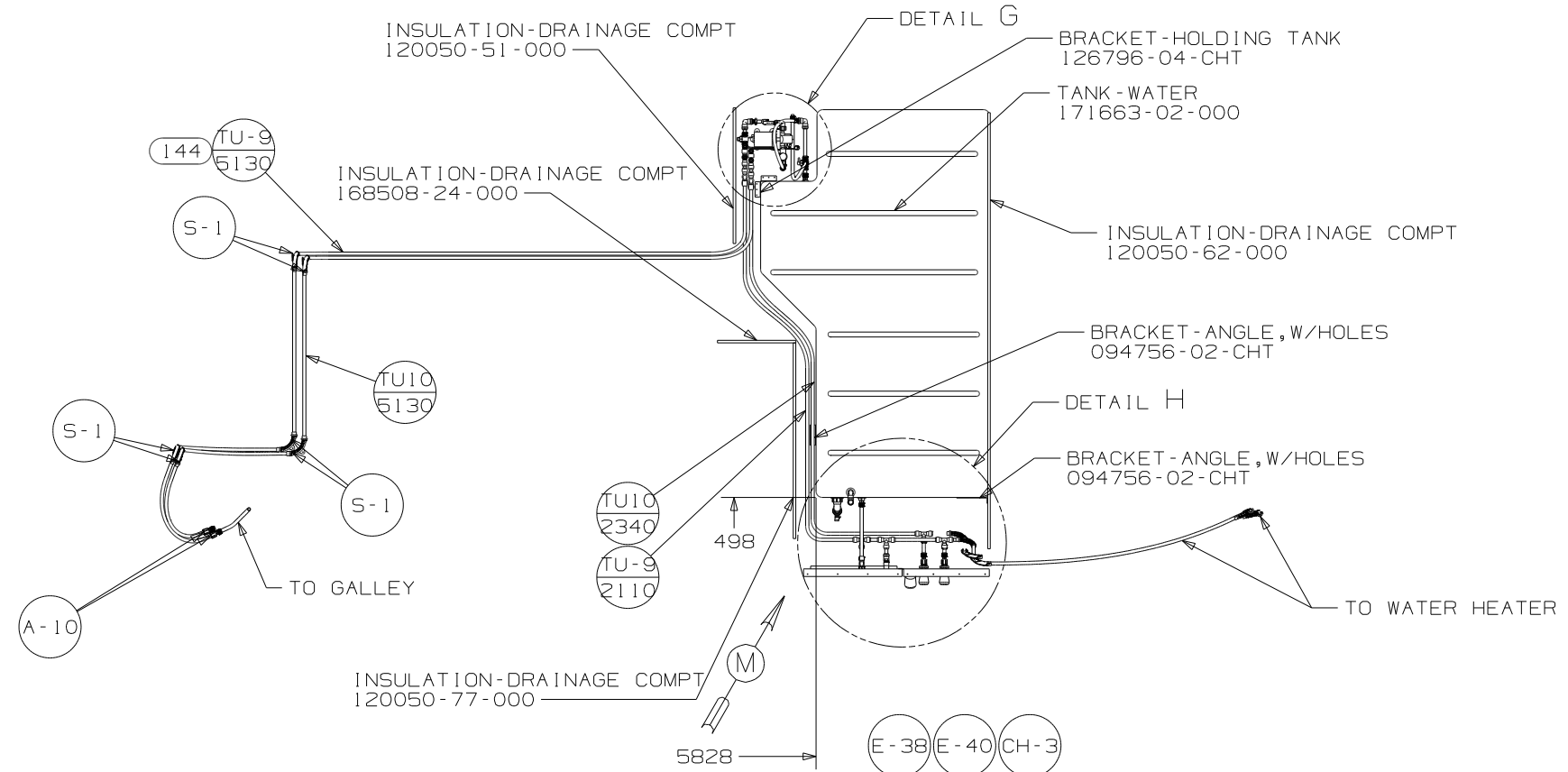
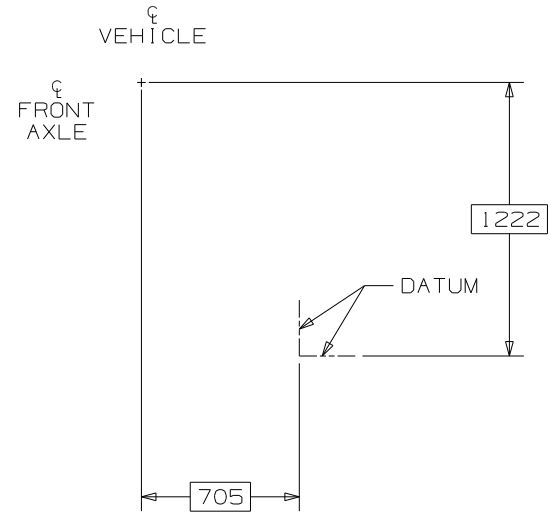
FAUCET-GALLEY
149164-01-CHT
(HOSES INCLUDED)

SECTION E - E
(ROTATED)

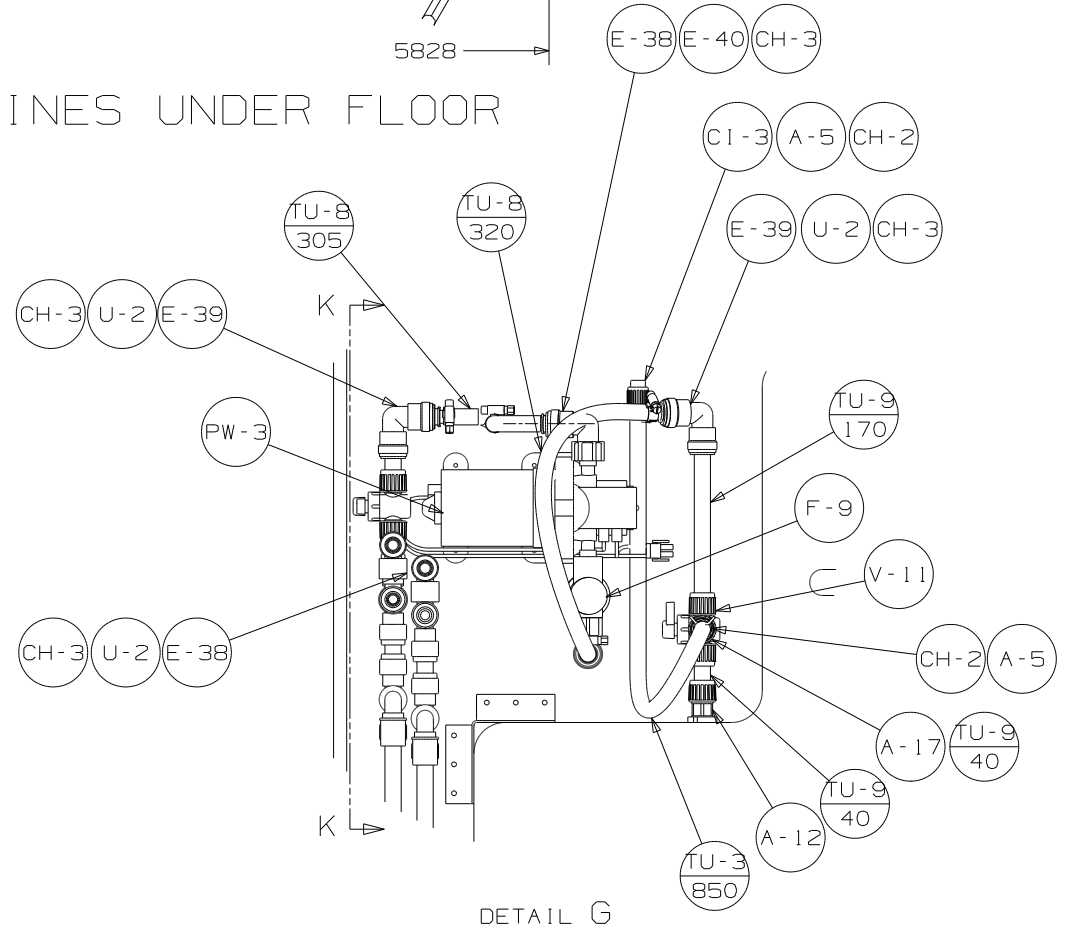
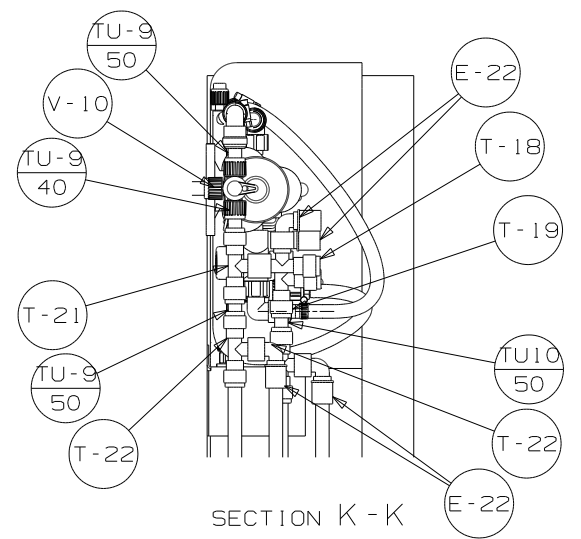
SECTION F - F
(ROTATED)

PLATFORM ASM-WATER HEATER
155334-03-000

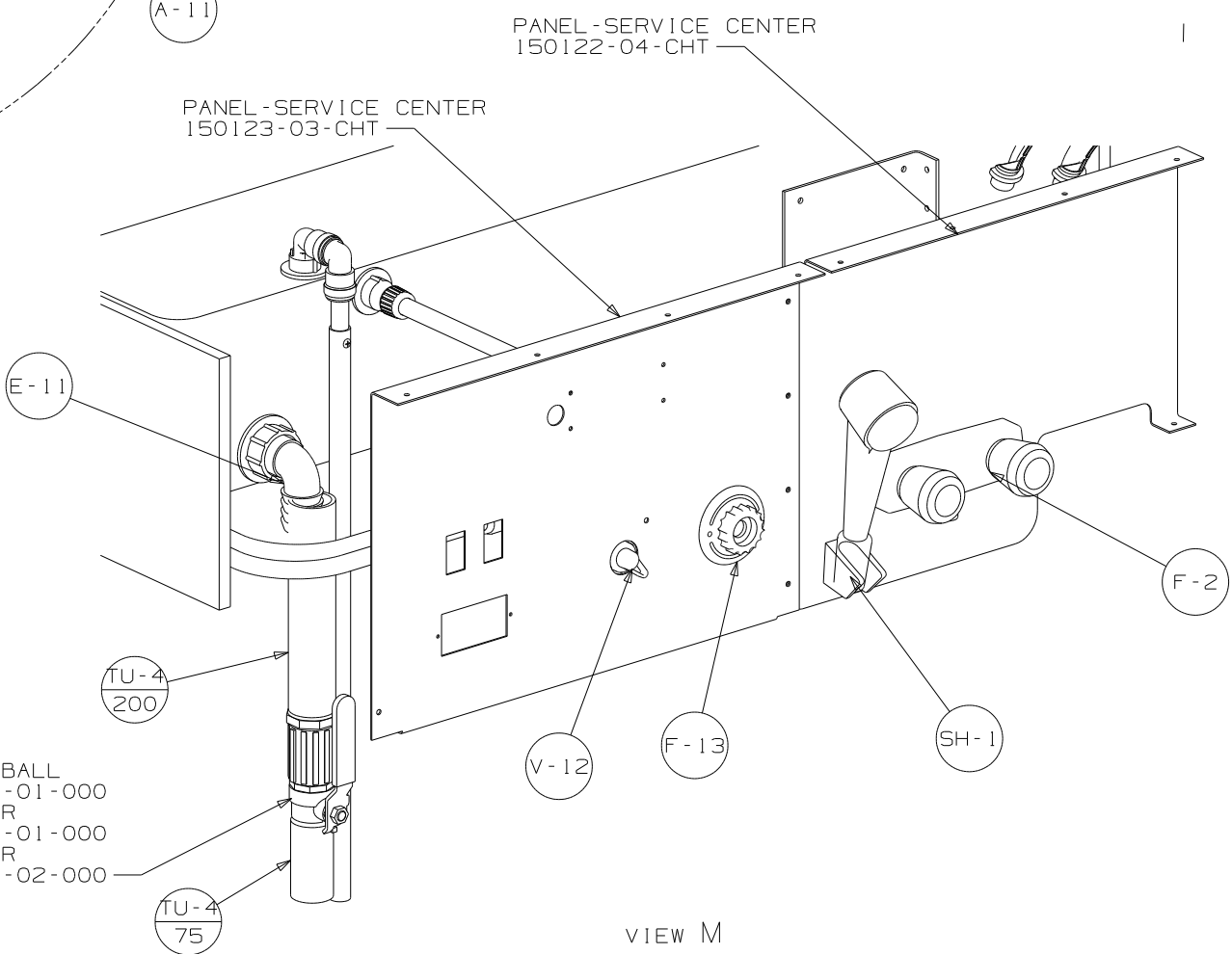
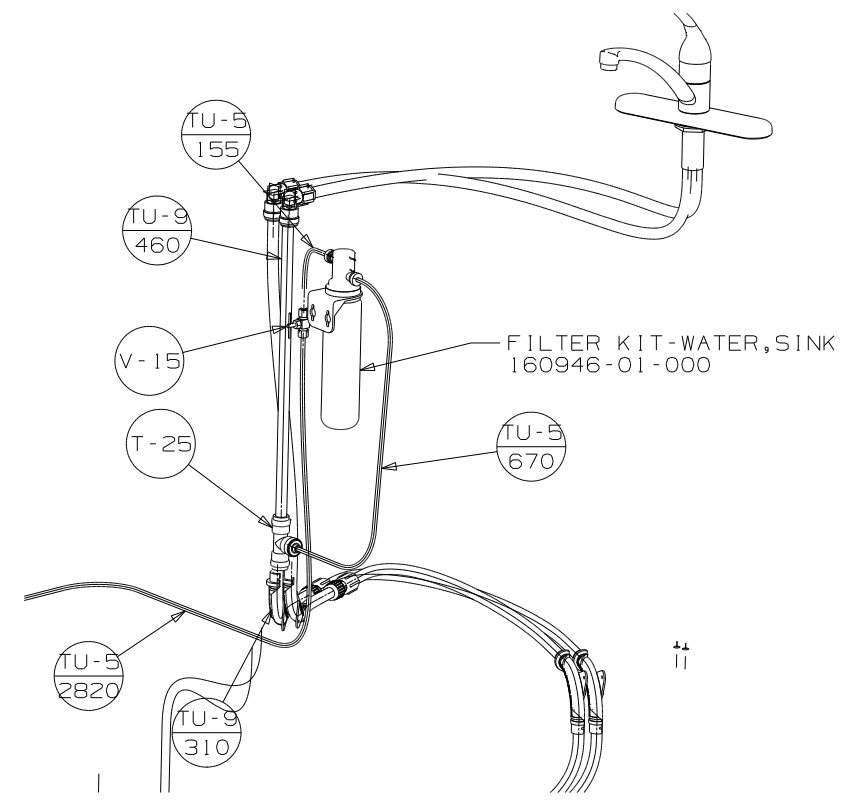
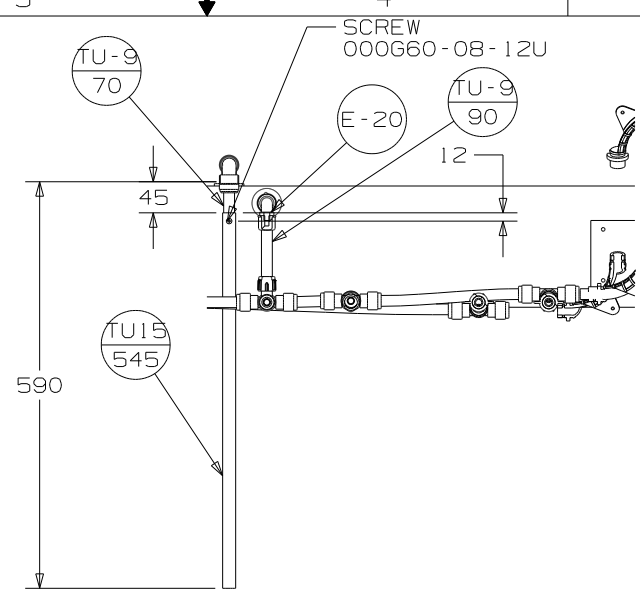
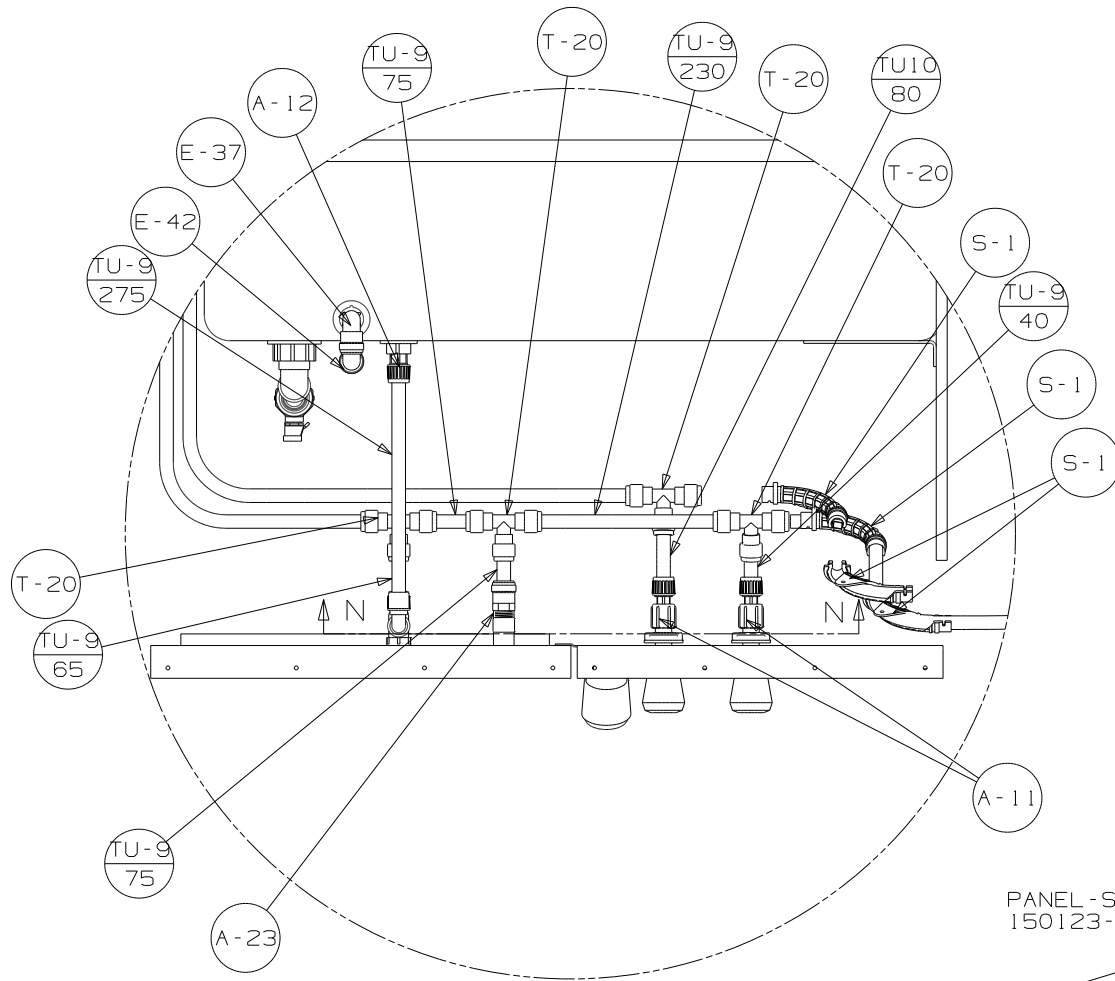
| | |
|----------------------|--------------------|
| FIRST USED | 11 D33C |
| DO NOT SCALE DRAWING | |
| TITLE | WATER SYSTEM INSTL |
| SHEET 3 | PART NO 175778 REV |



SHOWING LINES UNDER FLOOR



| | |
|----------------------|--------------------|
| FIRST USED | 11 D33C |
| DO NOT SCALE DRAWING | |
| TITLE: | WATER SYSTEM INSTL |
| SHEET 4 | PART NO 175778 REV |



- VALVE-BALL 132483-01-000
- COUPLER 147564-01-000
- ADAPTER 044927-02-000

| | |
|------------|----------------------|
| FIRST USED | 11 D33C |
| TITLE | DO NOT SCALE DRAWING |
| | WATER SYSTEM INSTL |
| SHEET 5 | PART NO 175778 REV |