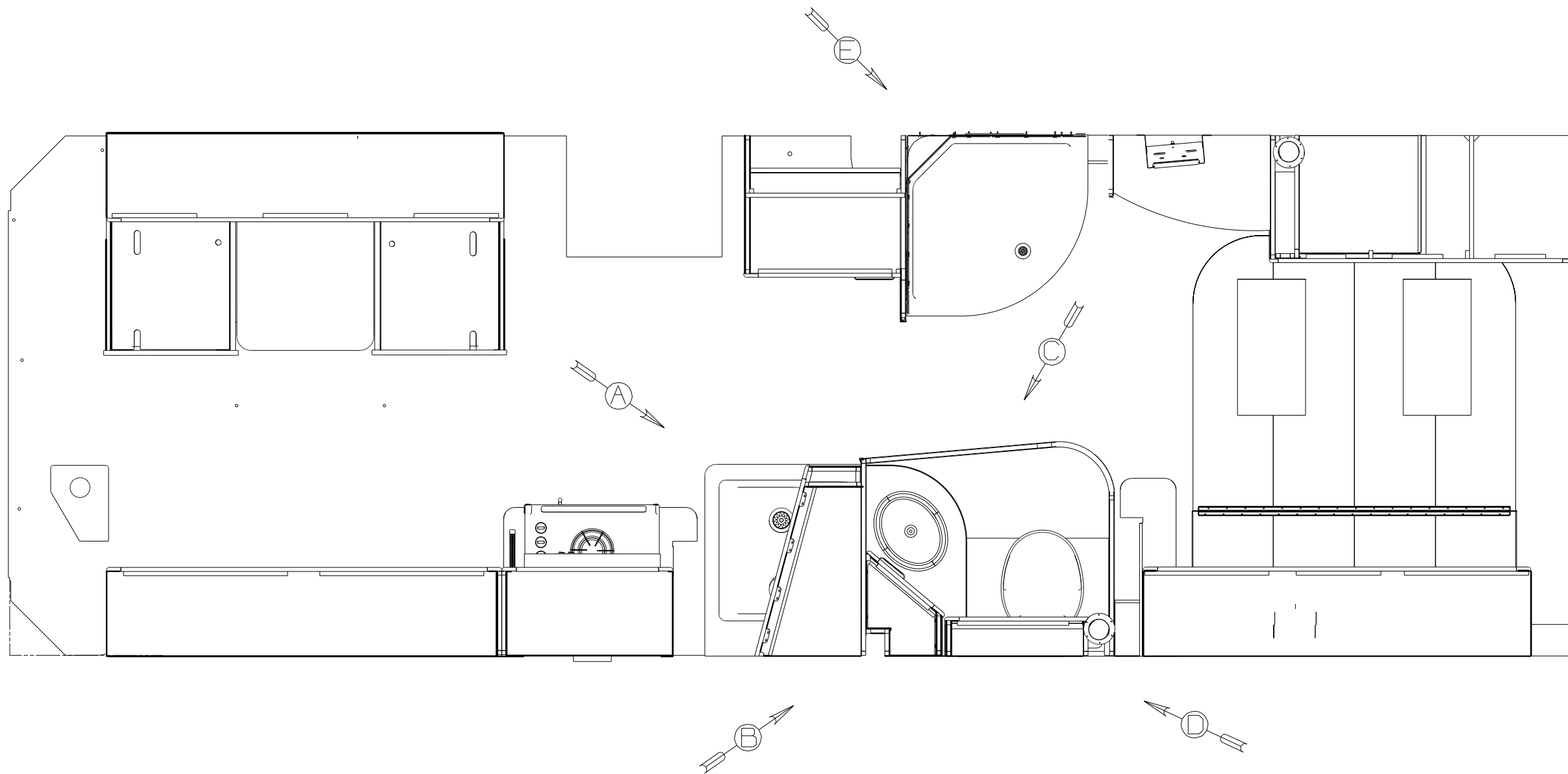


DWG NO	TOILET
165353-01	147421-02-CHT
165353-02	160815-04-CHT

RELEASE	REV DATE	DWG NO	165353
REV ZONE	REVISION RECORD	DATE	DFTR-ORIG

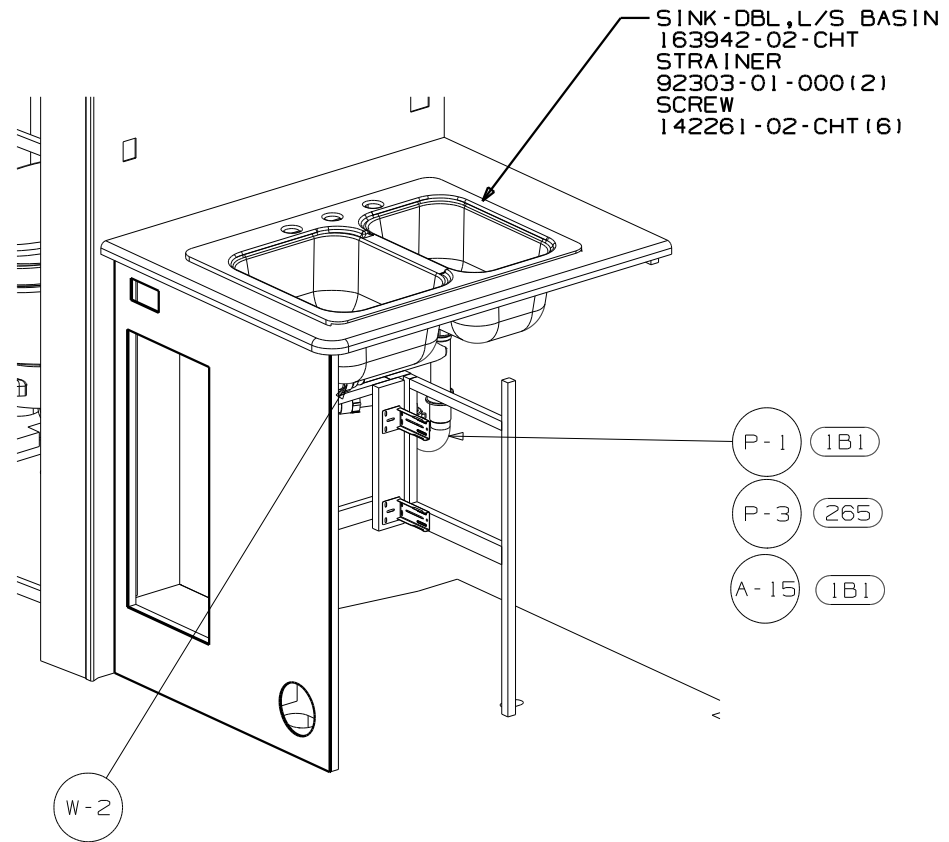


- 7. SECURE VENT PIPE TO FLOOR WITH CLAMP 62401-02-000 (2), SCREW G67-10-12B (2), BRACKET 136878-01-CHT (2).
- 6. VENT PIPE MUST PROJECT 51 MIN AND 64 MAX ABOVE ROOF FOR PROPER FIT AND FUNCTION. ADD S-1 (116666-01-CHT SEAL-VENT PIPE) AROUND PIPE ON ROOF BEFORE VENT CAP IS INSTALLED.
- 5. SEAL AROUND SHOWER WITH SILICONE.
- 4. SECURE DRAINAGE PIPES TO CABINET USING WIRE TIE 108046-02-000, AND SCREW G67-10-12B AT INTERVALS OF NOT MORE THAN 4 FEET APART.
- 3. ALL PIPE AND FITTINGS TO BE ASSEMBLED WITH SOLVENT 4020-01-000 (USA), 4020-02-000 (CAN)
- 2. SLOPE OF TRAP ARM MUST BE 6 PER 305 mm.
- 1. SLOPE OF HORIZONTAL PIPING TO BE MINIMUM OF 3 PER 305 mm.

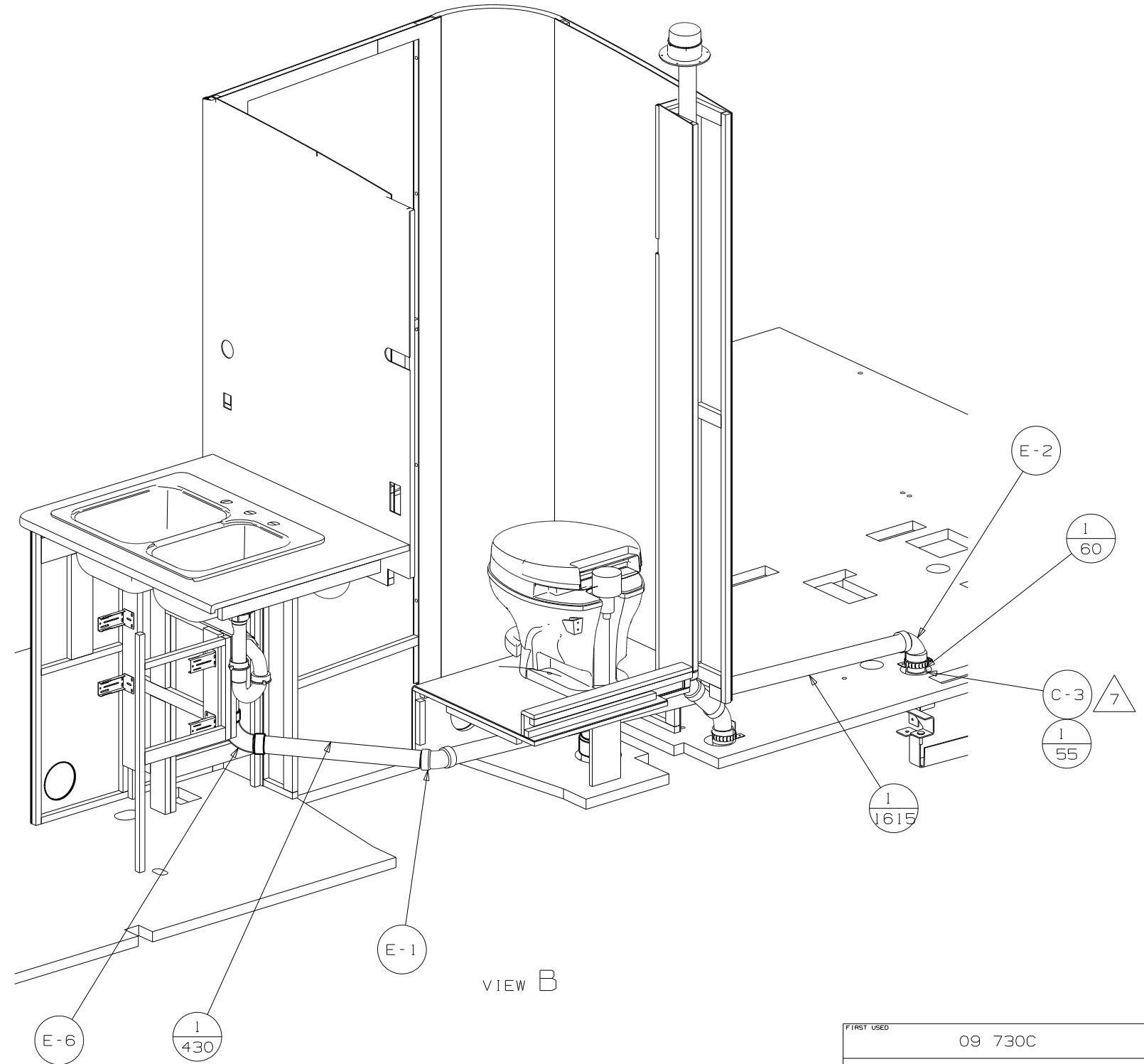
NOTES:

WINNEBAGO		COPYRIGHT 2010 WINNEBAGO INDUSTRIES, INC.	
DFTR	ORIG. DATE	ALL DIMENSIONS ARE IN MILLIMETERS	
CHKR		FIRST USED	
P.E.		09 730C	
M.E.		UNSPECIFIED TOLERANCES ARE:	
DSNR		WHOLE DIM (X.X) : 3	
		ONE-PLACE (X.X) : 1.5	
		TWO-PLACE (X.XX) : 0.50	
		ANGLE : 1°	
THIRD ANGLE PROJECTION		MATERIAL:	
DO NOT SCALE DRAWING		REFER TO ES0018 FOR FASTENER TIGHTENING GUIDELINES	
TITLE: DRAINAGE SYSTEM INSTL			
SHEET 1 OF 5		PART NO	165353
REF:		REV	

(X-X)
FOR
DRAINAGE
CALLOUTS
SEE DWG NO
116229-01-000



VIEW A



VIEW B

FIRST USED	09 730C	
TITLE	DO NOT SCALE DRAWING	
SHEET 2	PART NO 165353	REV

SINK-LAV
 156661-01-CHT
 STRAINER ASM
 106116-01-CHT
 STRAINER GASKET
 106116-02-CHT
 SEAL
 91255-02-000

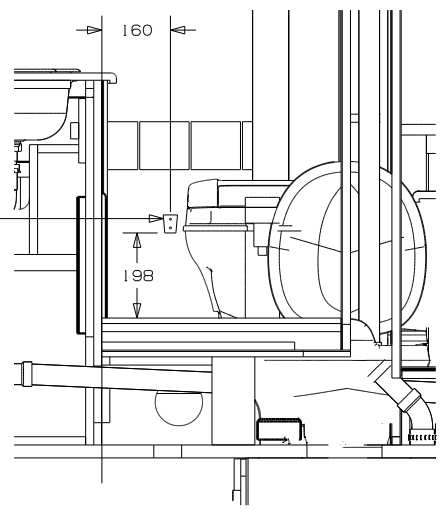
TOILET
 (SEE TAB)

FLANGE-CLOSET
 151541-01-000

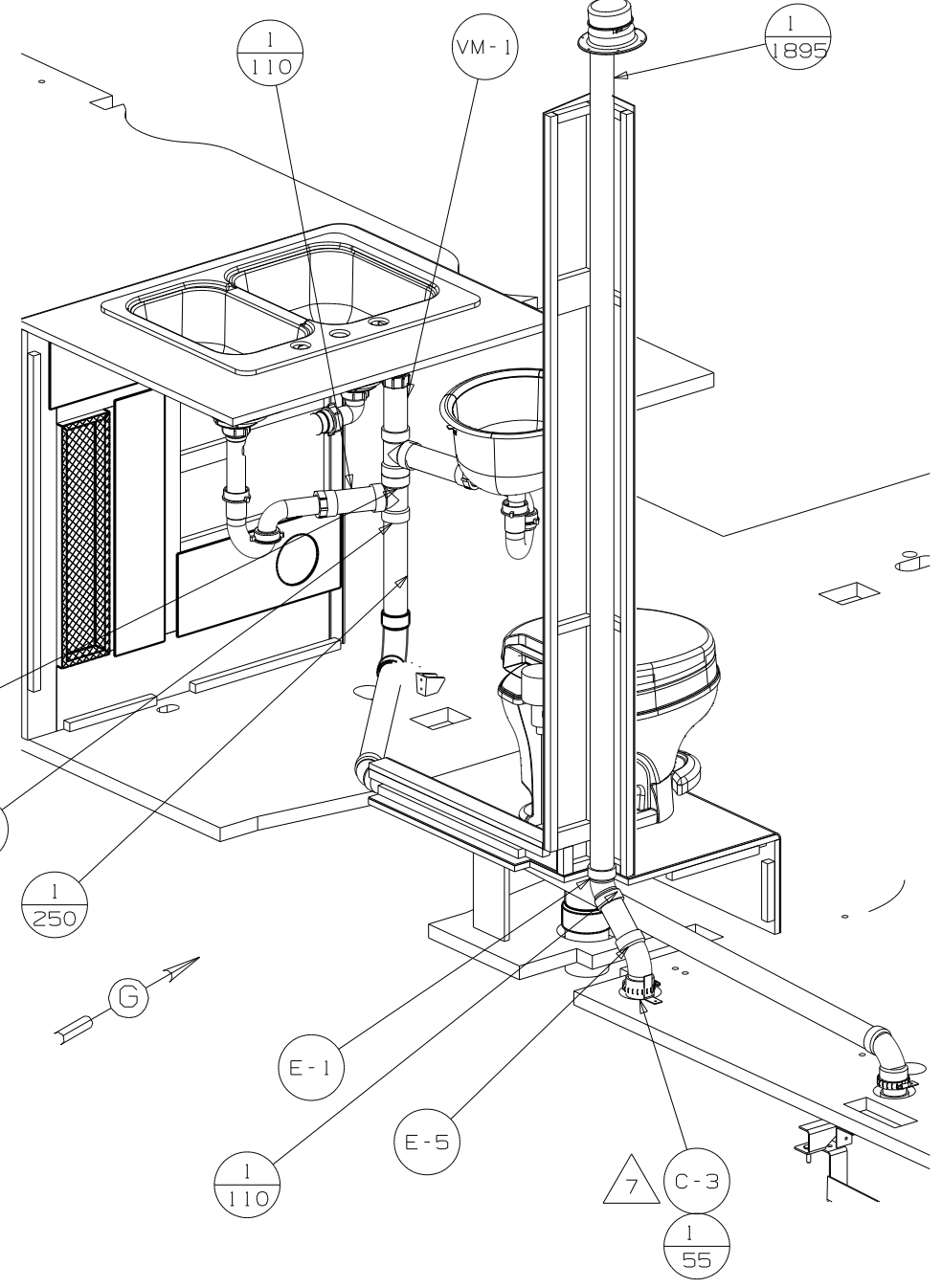
- P-1 (1B1)
- P-3 (265)
- A-15 (1B1)

VIEW C

TOILET SPRAY
 MOUNTING BRACKET



VIEW G

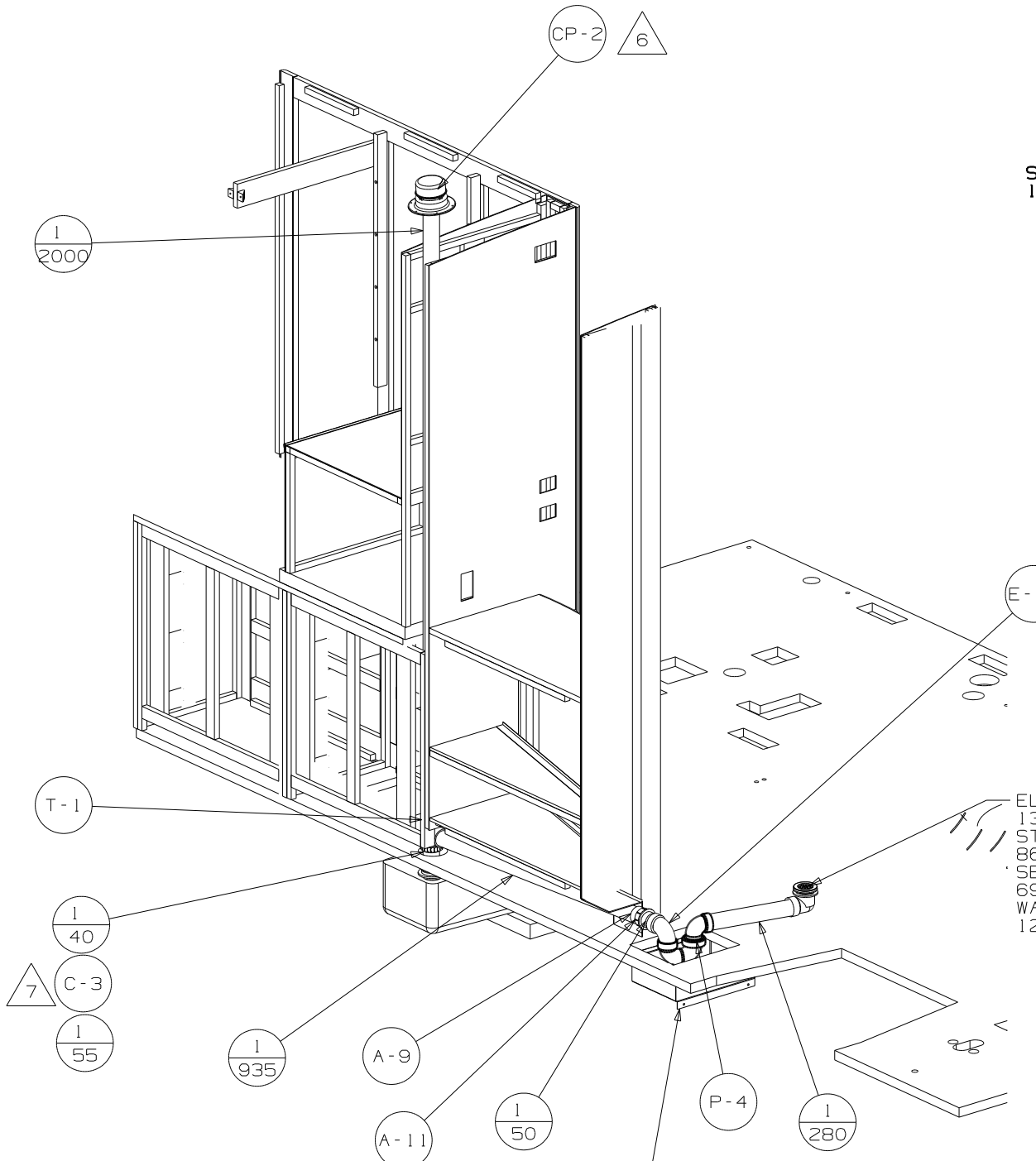


VIEW D

FIRST USED	09 730C
DO NOT SCALE DRAWING	
TITLE:	DRAINAGE SYSTEM INSTL
SHEET 3	PART NO 165353 REV

8 7 6 5 4 3 2 1

D
C
B
A

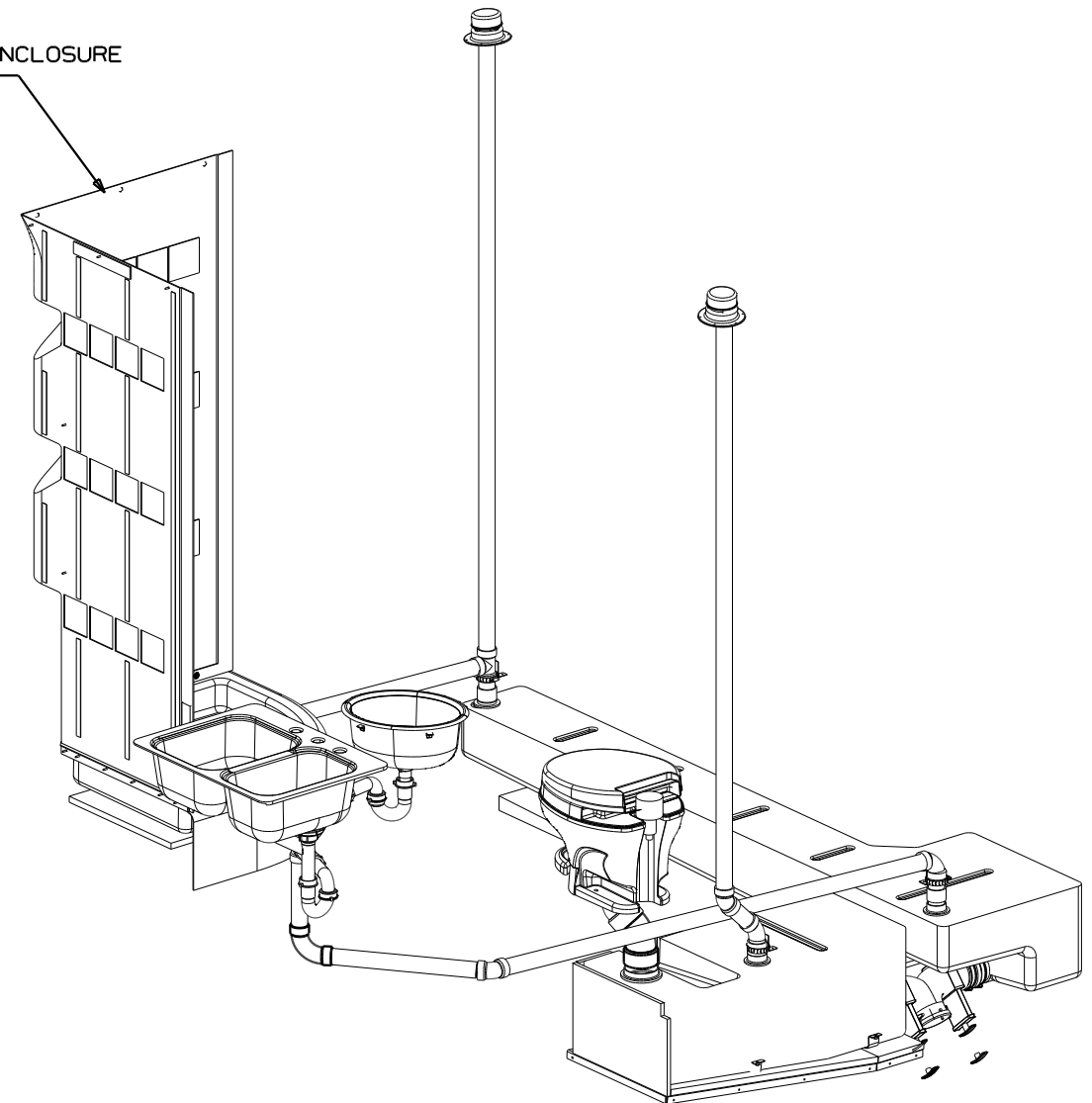


SHOWER INSTL - ENCLOSURE
168115-05-000

- ELBOW
131486-01-000
- STRAINER
86440-01-000
- SEALER
69640-01-000
- WASHER - RUBBER
127440-02-CHT

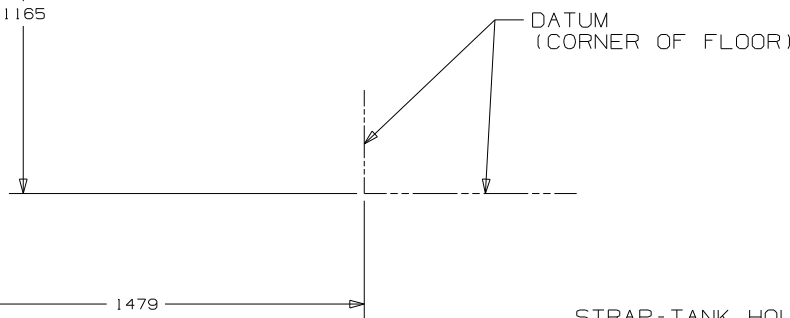
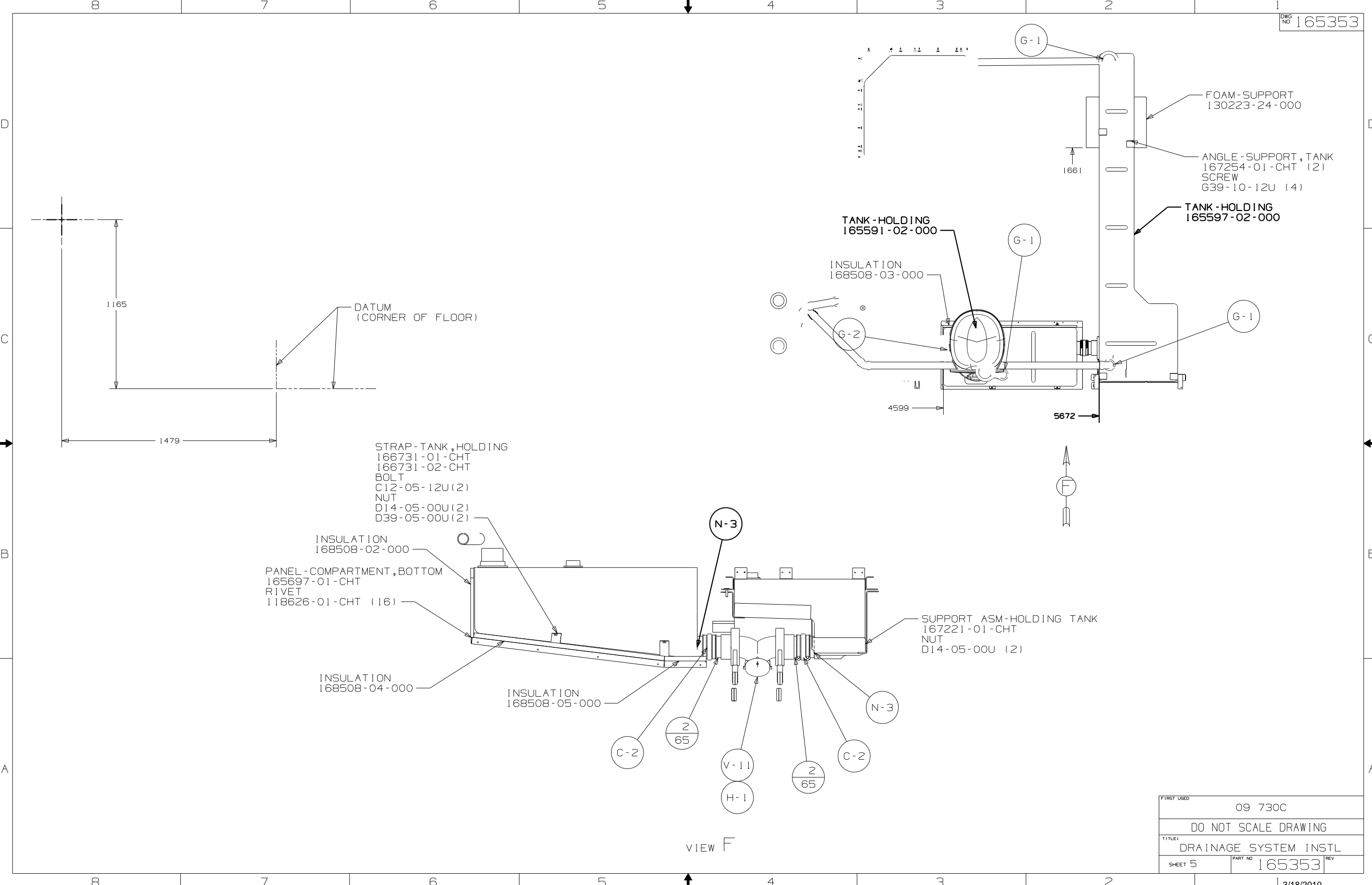
- CLOSEOUT - PTRAP
155526-02-CHT
- SCREW
G67-10-10U (2)
- G39-10-08U (2)

VIEW E



FIRST USED	09 730C	
TITLE	DO NOT SCALE DRAWING	
	DRAINAGE SYSTEM INSTL	
SHEET 4	PART NO	165353

8 7 6 5 4 3 2 1



STRAP - TANK, HOLDING
 166731-01-CHT
 166731-02-CHT
 BOLT
 C12-05-12U (2)
 NUT
 D14-05-00U (2)
 D39-05-00U (2)

INSULATION
 168508-02-000

PANEL - COMPARTMENT, BOTTOM
 165697-01-CHT
 RIVET
 118626-01-CHT (16)

INSULATION
 168508-04-000

INSULATION
 168508-05-000

TANK - HOLDING
 165591-02-000

INSULATION
 168508-03-000

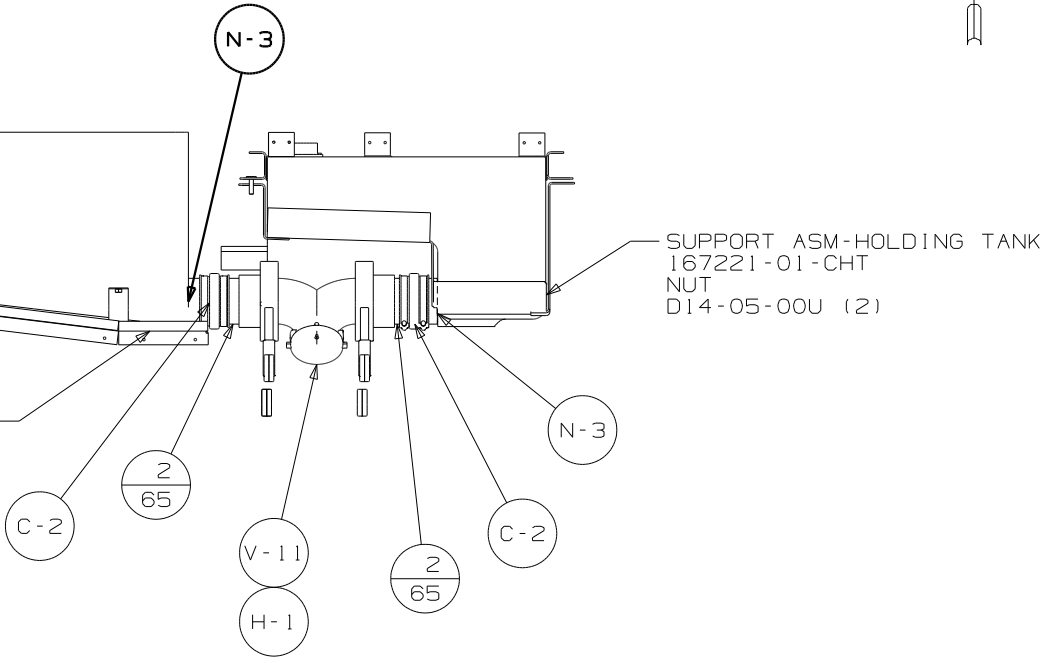
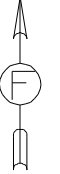
FOAM - SUPPORT
 130223-24-000

ANGLE - SUPPORT, TANK
 167254-01-CHT (2)
 SCREW
 G39-10-12U (4)

TANK - HOLDING
 165597-02-000

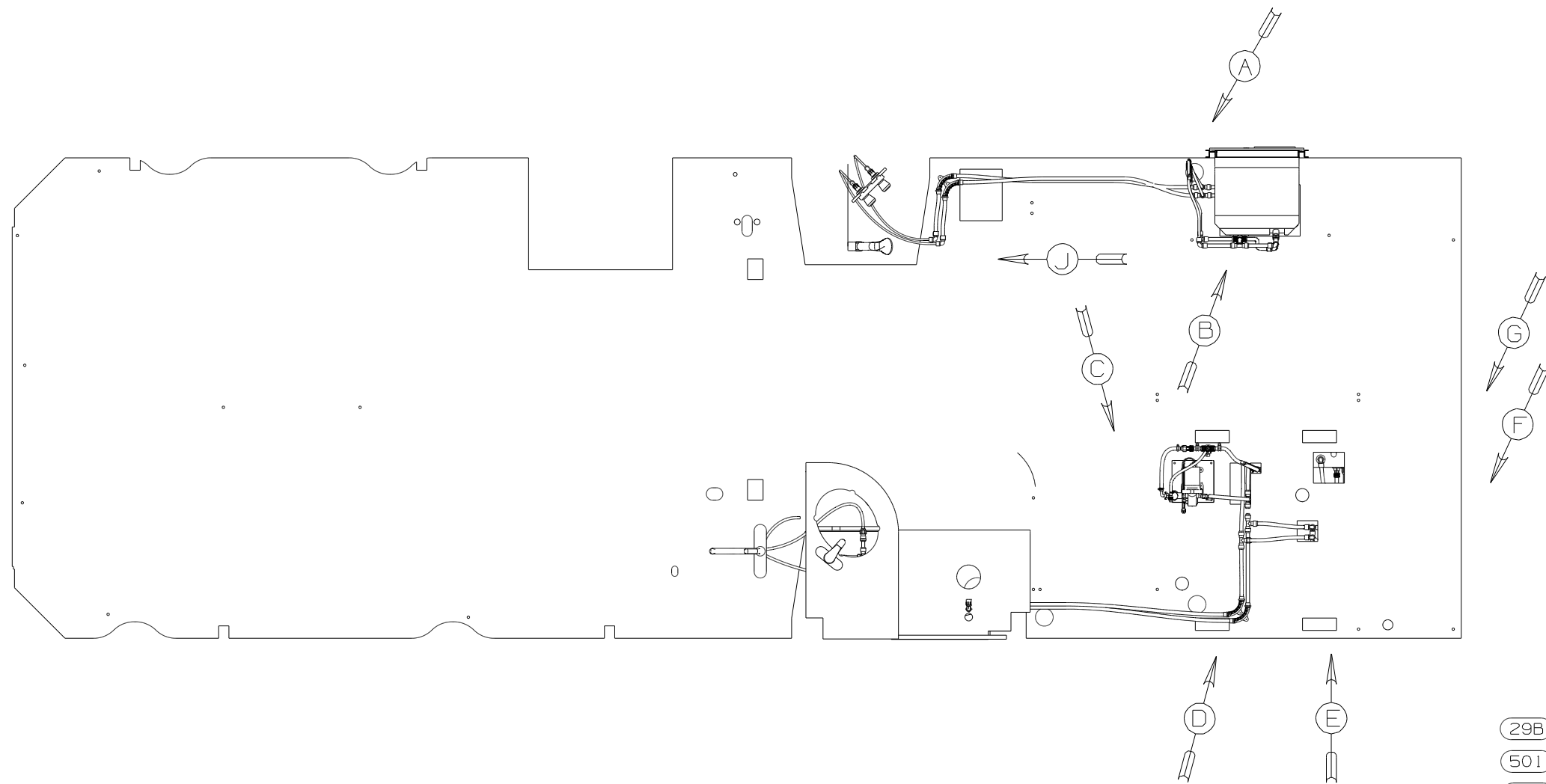
4599

5672



VIEW F

FIRST USED	09 730C	
TITLE	DO NOT SCALE DRAWING	
	DRAINAGE SYSTEM INSTL	
SHEET 5	PART NO 165353	REV



- (29B) WATER PURIFIER
- (501) WATER PURIFIER WITHOUT
- (64R) EXTERIOR WASH STATION
- (1J4) EXT WASH STATION-WITHOUT
- (53B) WTR HTR-6 GAL ELECTRIC/LP GAS
- (53F) WATER HEATER-ELEC.IGNITION
- (54E) WATER SYS WINTERIZATION PKG
- (1H6) AIR SPRINGS-WITHOUT

- 7 ADD PIPE WRAP (LADDER SCRAP 110157-02-000) INSULATION.
 - 6 ADD TEFLON TAPE 10405-03-000.
 - 5 ADD TEFLON TAPE 10405-02-000.
 - 4 ADD TEFLON TAPE 10405-01-000.
3. ALL TUBING TO BE SECURED AT 1200 INTERVALS MAXIMUM WITH CLAMP 10495-01-000 AND SCREW G67-10-12B OR EQUIVALENT.
 2. TUBING TO BE INSTALLED WITH SUFFICIENT SLOPE TO PROVIDE DRAINAGE TO NEAREST VALVE.
 1. PLASTIC FITTINGS TO BE SEALED WITH SEALANT 84456-01-000.

NOTES:

(X-X)
FOR
WATER
CALLOUTS
SEE DWG NO
116230-01-000

WINNEBAGO		COPYRIGHT 2011 WINNEBAGO INDUSTRIES, INC.	
DFTR	ORIG. DATE	ALL DIMENSIONS ARE IN MILLIMETERS	
CHKR		FIRST USED	
P.E.		09 730C	
M.E.		UNSPECIFIED TOLERANCES ARE:	
DSNR		MATERIAL:	
		WHOLE DIM (X)	: 3
		ONE-PLACE (X.X)	: 1.5
		TWO-PLACE (X.XX)	: 0.50
		ANGLE	: 1°
THIRD ANGLE PROJECTION		DO NOT SCALE DRAWING REFER TO ES0018 FOR FASTENER TIGHTENING GUIDELINES	
TITLE: WATER SYSTEM INSTL			
SHEET 1 OF 5	PART NO	165359	REV
REF:	1 3/2/2011		

- WATER HEATER
51391-03-000 (53F)
- DOOR
145541-02-000 (53B)
- FLANGE
125420-06-CHT
- EXTR
165959-51-002 (2)
- 165959-51-004 (2)
- SCREW
G39-10-169 (16)
- SEALANT
69640-14-000
- 112864-01-000
- CABLE
76767-03-000
- SCREW
G11-06-08B (2)

FAUCET-LAV
165730-01-CHT

FAUCET-GALLEY, DUAL
149164-01-CHT

PANEL-SHOWER
167738-01-CHT

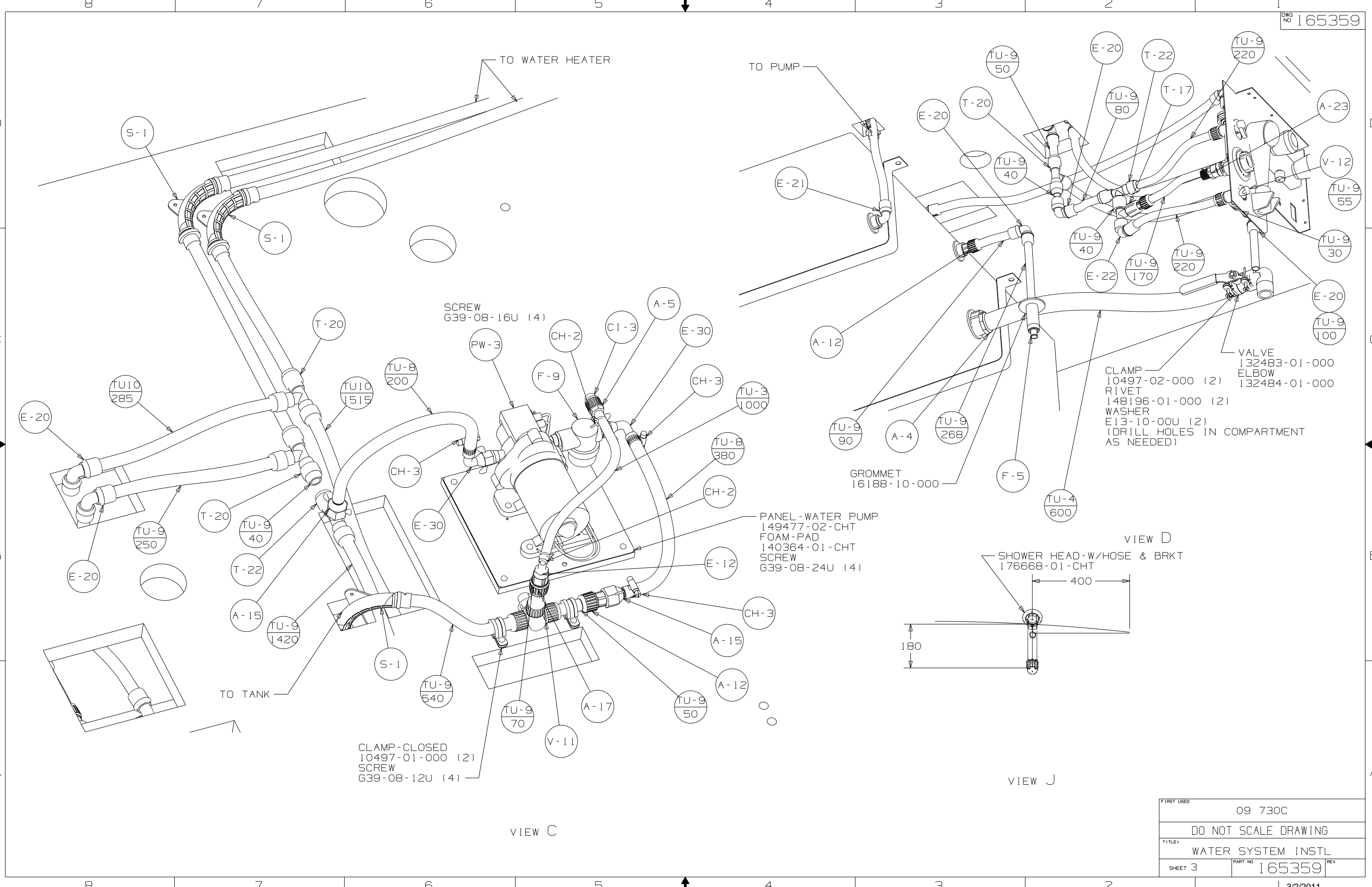
FILTER KIT-WATER, SINK
160946-03-000 (29B)

SCREW
G67-10-12U (2)

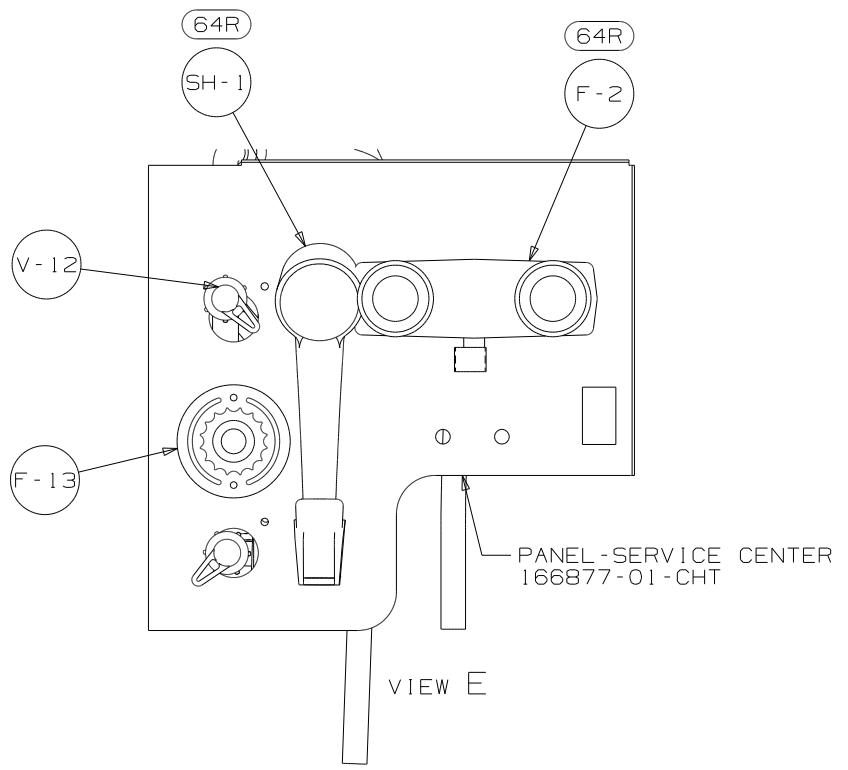
VIEW B

VIEW A

FIRST USED	09 730C
TITLE:	DO NOT SCALE DRAWING
	WATER SYSTEM INSTL
SHEET 2	PART NO 165359 REV



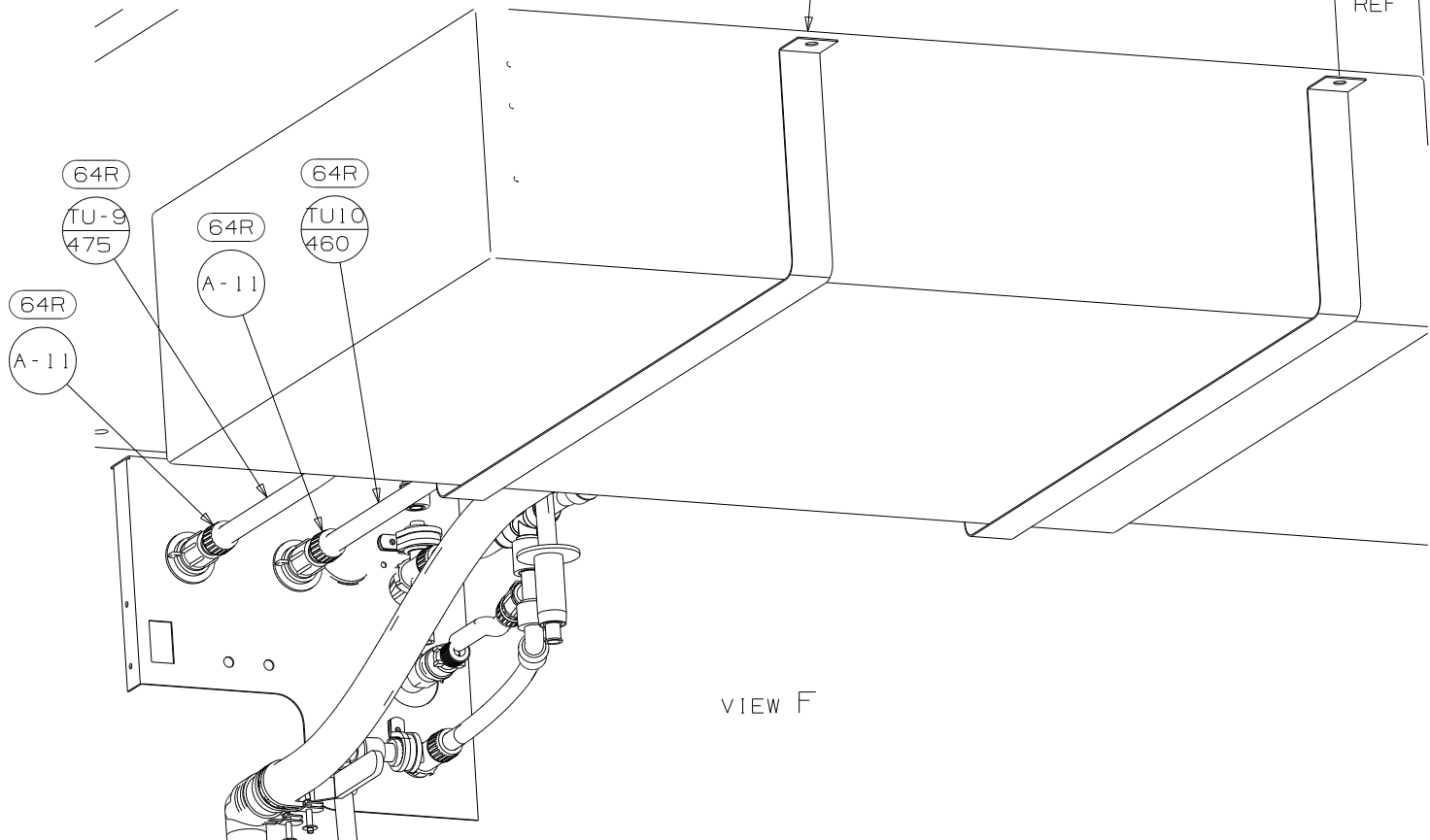
FIRST USED	09 730C
DO NOT SCALE DRAWING	
TITLE:	WATER SYSTEM INSTL
SHEET 3	PART NO 165359 REV



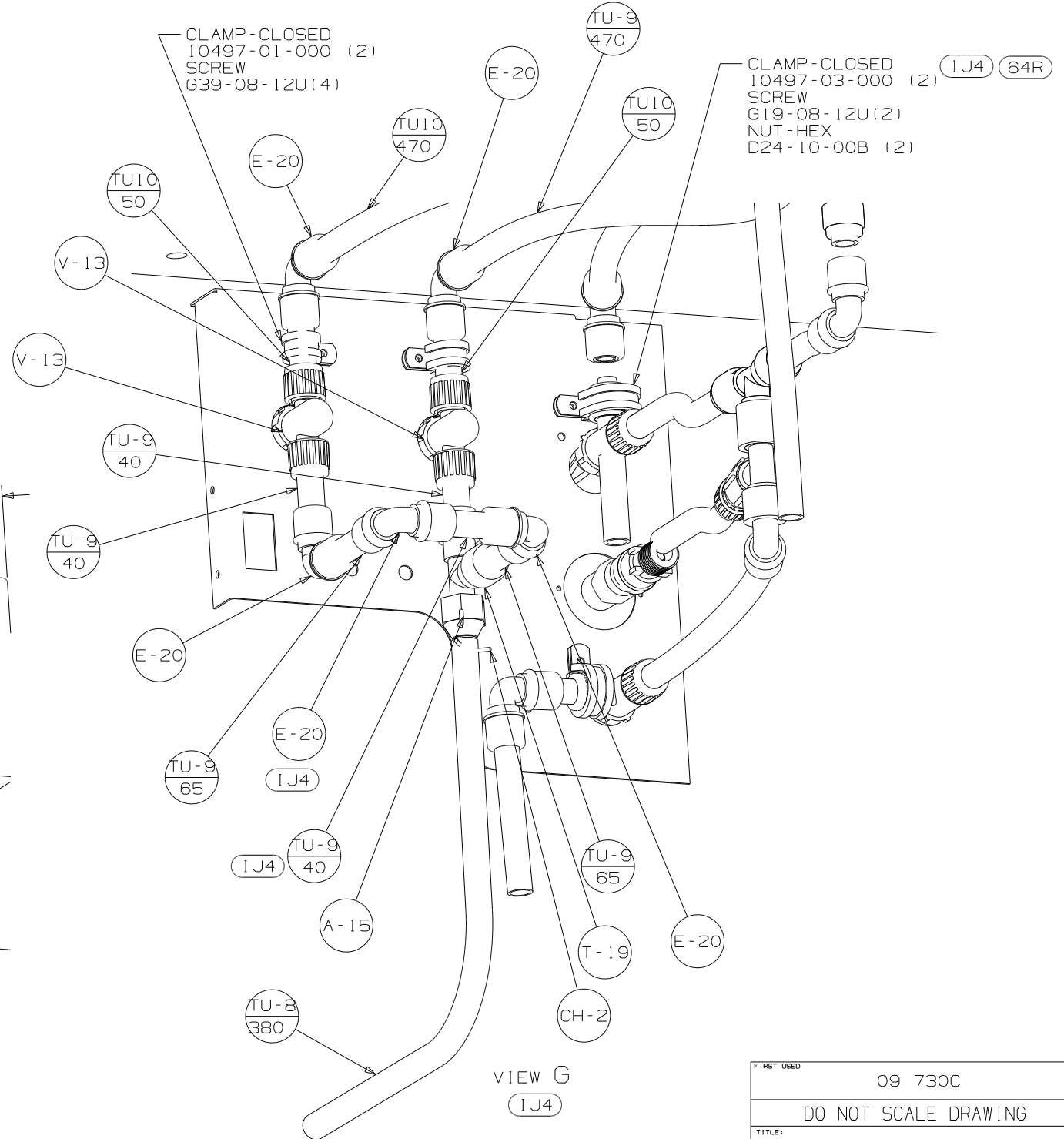
VIEW E

TANK - WATER, 30 GAL
169713-02-000
STRAP - TANK
118994-06-CHT (2)

72
REF



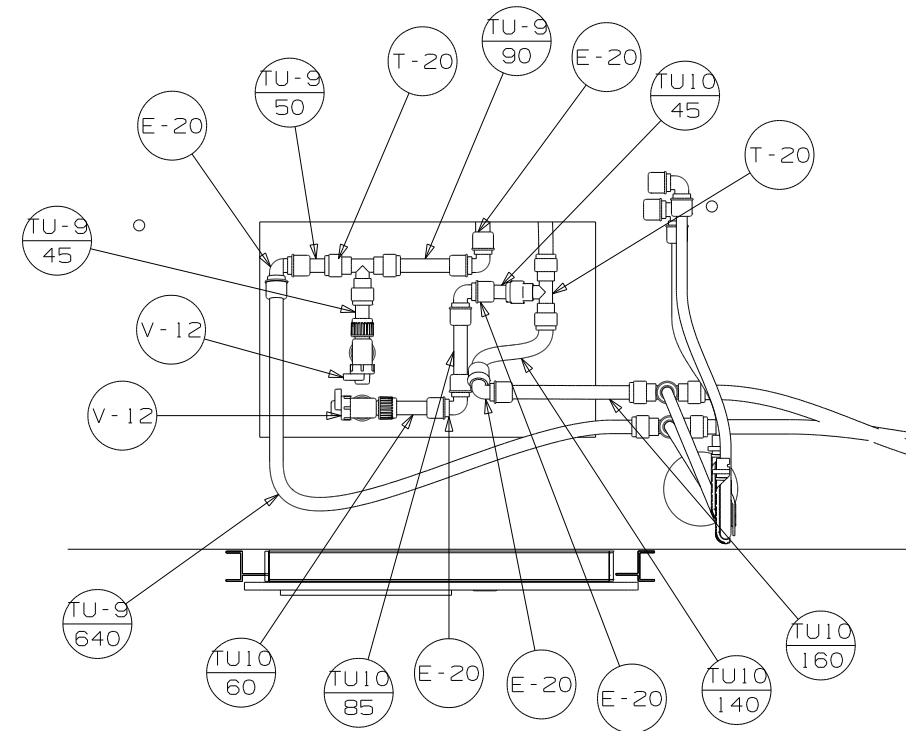
VIEW F



VIEW G

IJ4

FIRST USED	09 730C
DO NOT SCALE DRAWING	
TITLE:	WATER SYSTEM INSTL
SHEET 4	PART NO 165359 REV



VIEW K

FIRST USED	09 730C		
DO NOT SCALE DRAWING			
TITLE:	WATER SYSTEM INSTL		
SHEET 5	PART NO	165359	REV