

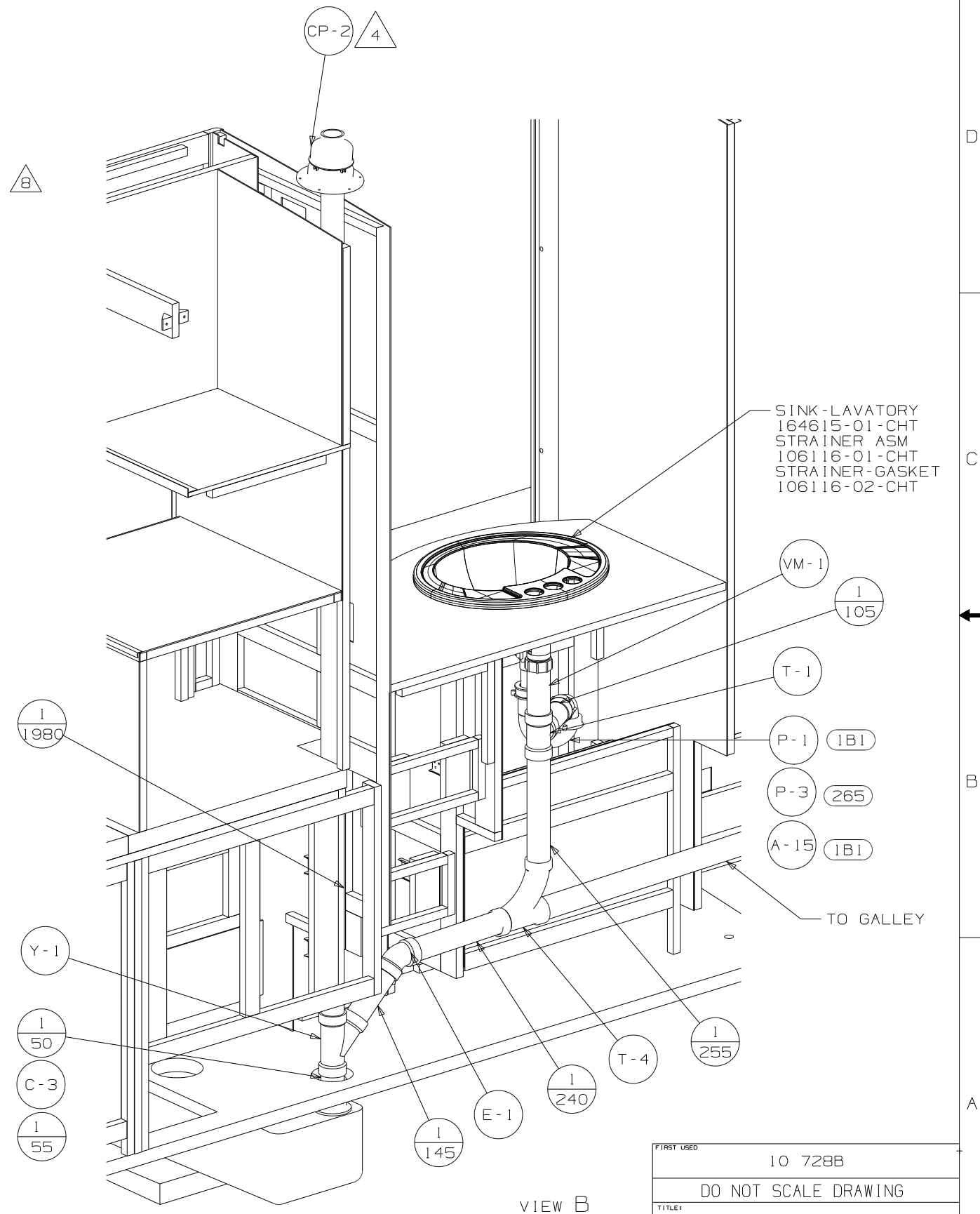
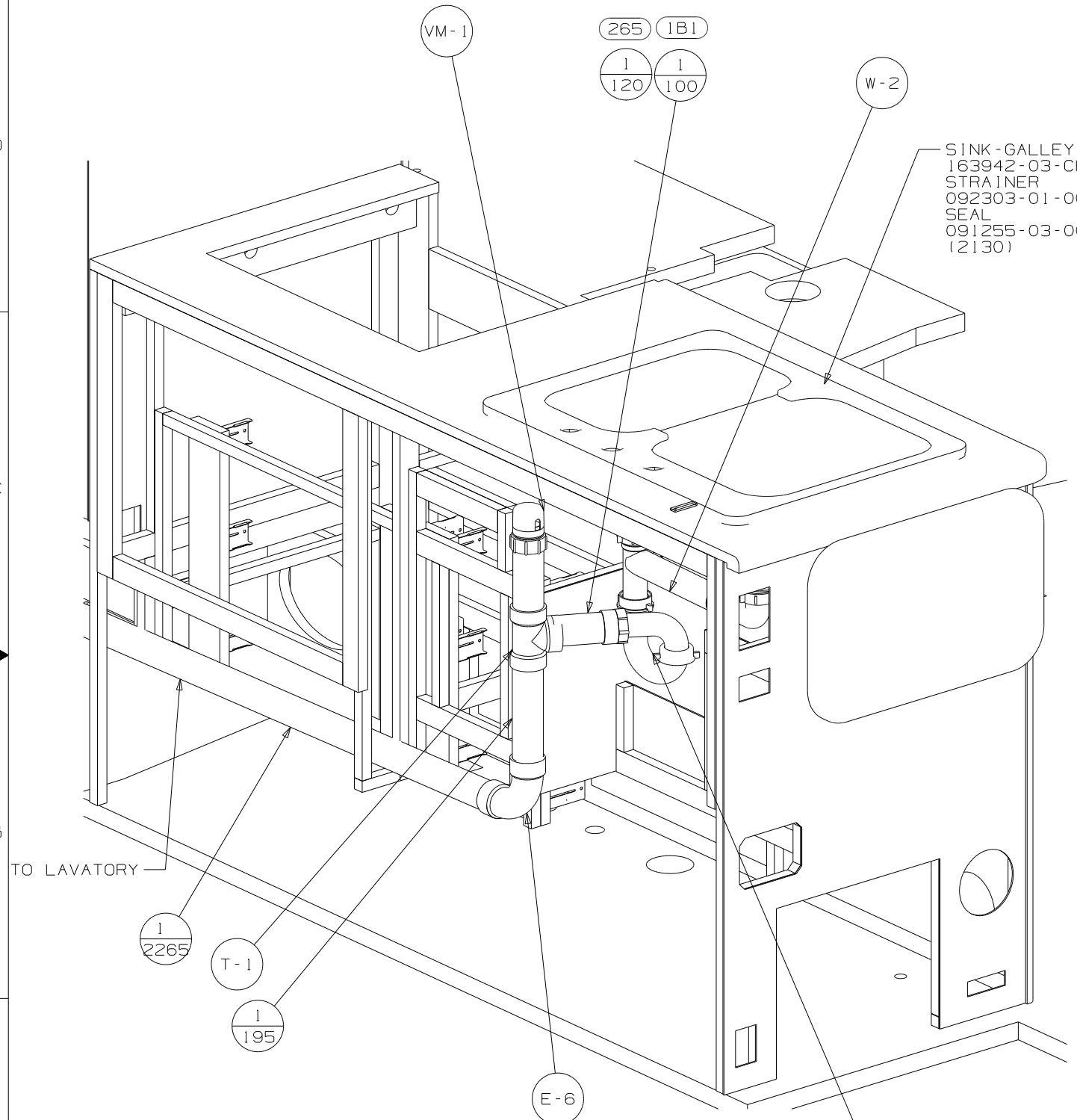
- NOTES:
- 8. USE SMOOTH PLUMBERS PUTTY 167459-01-000 TO SEAL STRAINER (0.2 PER STRAINER).
  - 7. WATERLESS P-TRAP MUST BE INSTALLED WITH RIBS POINTING DOWN
  - 6. ROTATED TOILET TO MAXIMIZE ROOM WHILE ALLOWING LID TO REMAIN IN THE UPRIGHT POSITION.
  - 5. SEAL AROUND SHOWER WITH SILICONE.
  - 4. VENT PIPE MUST PROJECT 51 MIN AND 64 MAX ABOVE ROOF FOR PROPER FIT AND FUNCTION.
  - 3. ALL PIPE AND FITTINGS TO BE ASSEMBLED WITH SOLVENT 004020-01-000 (US), 004020-02-000 (CAN).
  - 2. SLOPE OF TRAP ARM MUST BE 6 PER 305 mm.
  - 1. SLOPE OF HORIZONTAL PIPING TO BE MIN 3 PER 305 mm.

FOR  
DRAINAGE  
CALLOUTS  
SEE DWG NO  
116229-01-000

<b>WINNEBAGO</b>		COPYRIGHT 2010 WINNEBAGO INDUSTRIES, INC.	
D/FR	ORIG. DATE	ALL DIMENSIONS ARE IN MILLIMETERS	
CHKR		FIRST USED	
P.E.		10 728B	
M.E.		UNSPECIFIED TOLERANCES ARE:	
DSNR		MATERIAL:	
		WHOLE DIM (X) : 3	
		ONE-PLACE (X.X) : 1.5	
		TWO-PLACE (X.XX) : 0.50	
		ANGLE : 1°	
THIRD ANGLE PROJECTION		DO NOT SCALE DRAWING REFER TO ES0018 FOR FASTENER TIGHTENING GUIDELINES	
TITLE: DRAINAGE SYSTEM			
SHEET 1 OF 4	PART NO	172104	REV
REF:	11/29/2010		

SINK - GALLEY  
 163942-03-CHT  
 STRAINER  
 092303-01-000 (2)  $\triangle$   
 SEAL  
 091255-03-000  
 (2130)

SINK - LAVATORY  
 164615-01-CHT  
 STRAINER ASM  
 106116-01-CHT  
 STRAINER-GASKET  
 106116-02-CHT

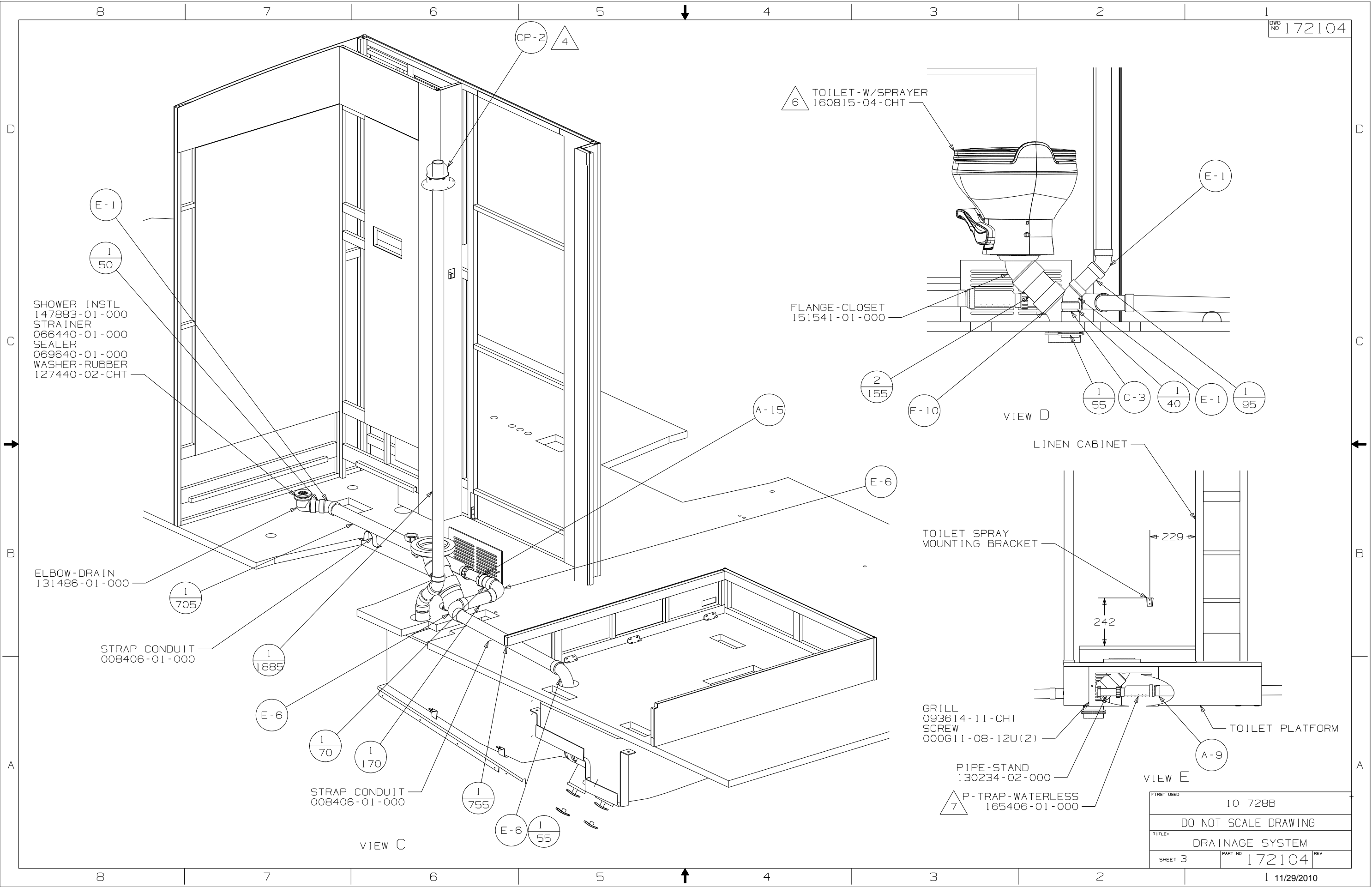


VIEW A

VIEW B

- P-1 (IB1)
- P-3 (265)
- A-15 (IB1)

FIRST USED	10 728B	
TITLE	DO NOT SCALE DRAWING	
SHEET 2	PART NO	REV
	172104	



SHOWER INSTL  
147883-01-000  
STRAINER  
066440-01-000  
SEALER  
069640-01-000  
WASHER-RUBBER  
127440-02-CHT

ELBOW-DRAIN  
131486-01-000

STRAP CONDUIT  
008406-01-000

STRAP CONDUIT  
008406-01-000

TOILET-W/SPRAYER  
160815-04-CHT

FLANGE-CLOSET  
151541-01-000

TOILET SPRAY  
MOUNTING BRACKET

GRILL  
093614-11-CHT  
SCREW  
000611-08-12U(2)

PIPE-STAND  
130234-02-000

P-TRAP-WATERLESS  
165406-01-000

FIRST USED  
10 728B

DO NOT SCALE DRAWING

TITLE:  
DRAINAGE SYSTEM

SHEET 3 PART NO 172104 REV

11/29/2010

VIEW C

VIEW D

VIEW E

LINEN CABINET

TOILET PLATFORM

TANK - ANGLE  
167254-01-CHT (2)  
SCREW  
000639-10-12U(4)

FOAM-SUPPORT  
130223-24-000

φ FRONT AXLE  
VEHICLE

1165

DATUM  
(CORNER OF FLOOR)

1479

TANK - HOLDING, 29 GAL  
165591-03-000

TANK - HOLDING, 40 GAL  
165597-03-000

1661

4980

4092

5070

STRAP - TANK, HOLDING  
166731-01-CHT  
166731-02-CHT  
BOLT  
000C12-05-12U(2)  
NUT  
000D14-05-00U(2)  
000D39-05-00U(2)

SUPPORT ASM-HOLDING TANK  
167221-01-CHT

INSULATION-DRAINAGE COMPT  
168508-01-000

PANEL - BOTTOM  
165697-01-CHT  
RIVET  
118626-01-01A (16)

N-3

C-2

2/60

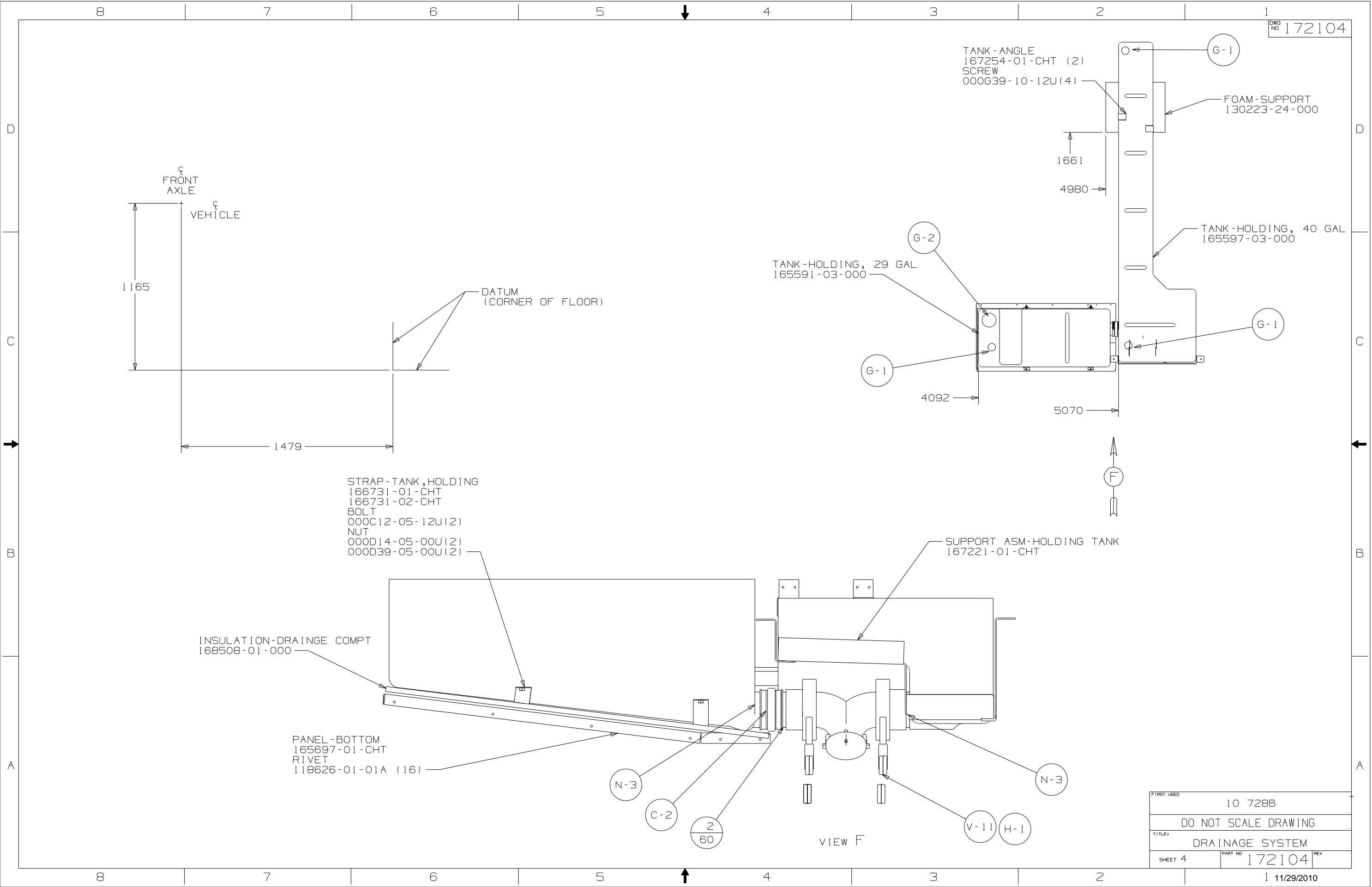
VIEW F

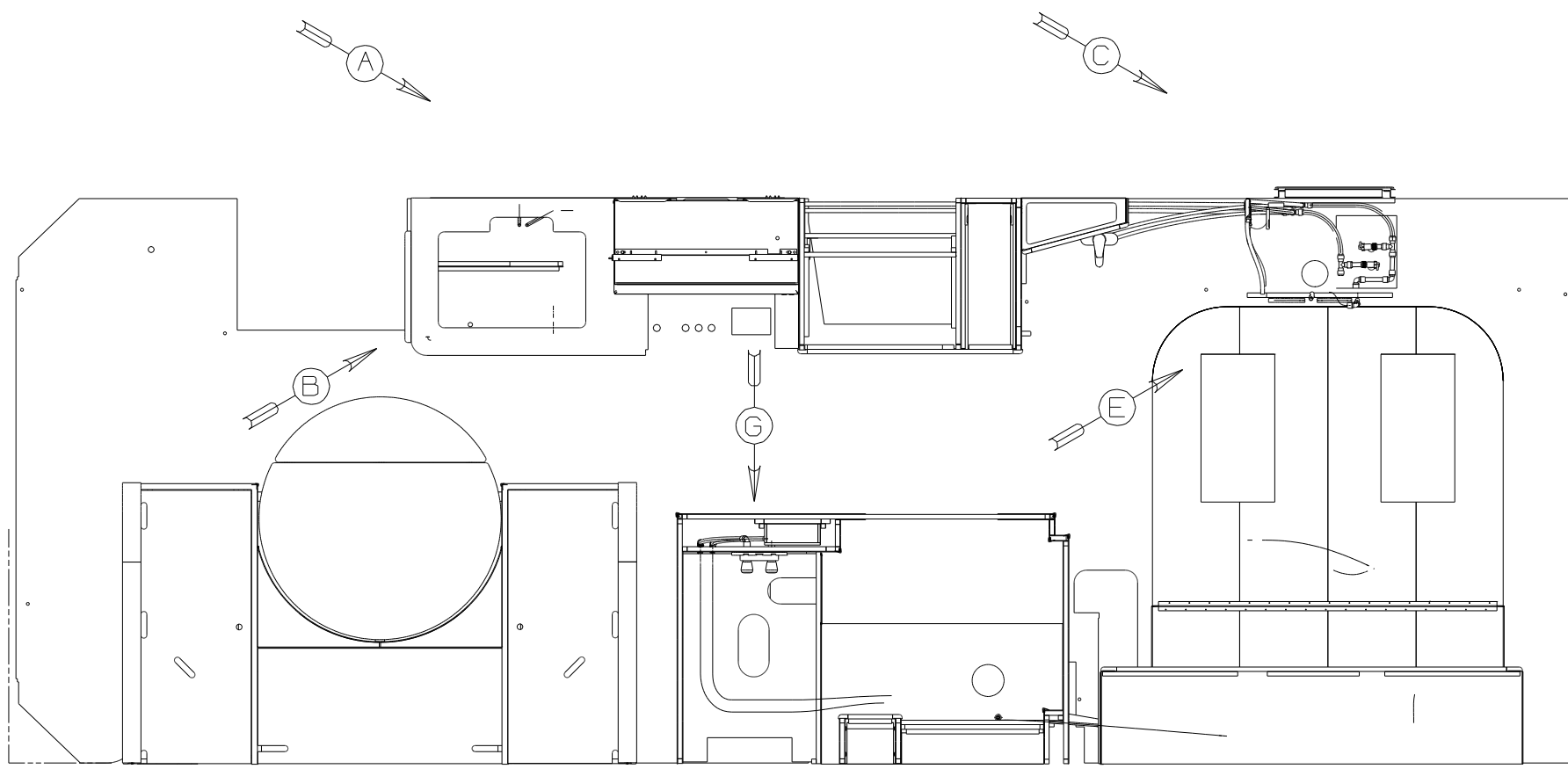
V-11

H-1

N-3

FIRST USED	10 728B
DO NOT SCALE DRAWING	
TITLE:	DRAINAGE SYSTEM
SHEET 4	PART NO 172104
REV 11/29/2010	





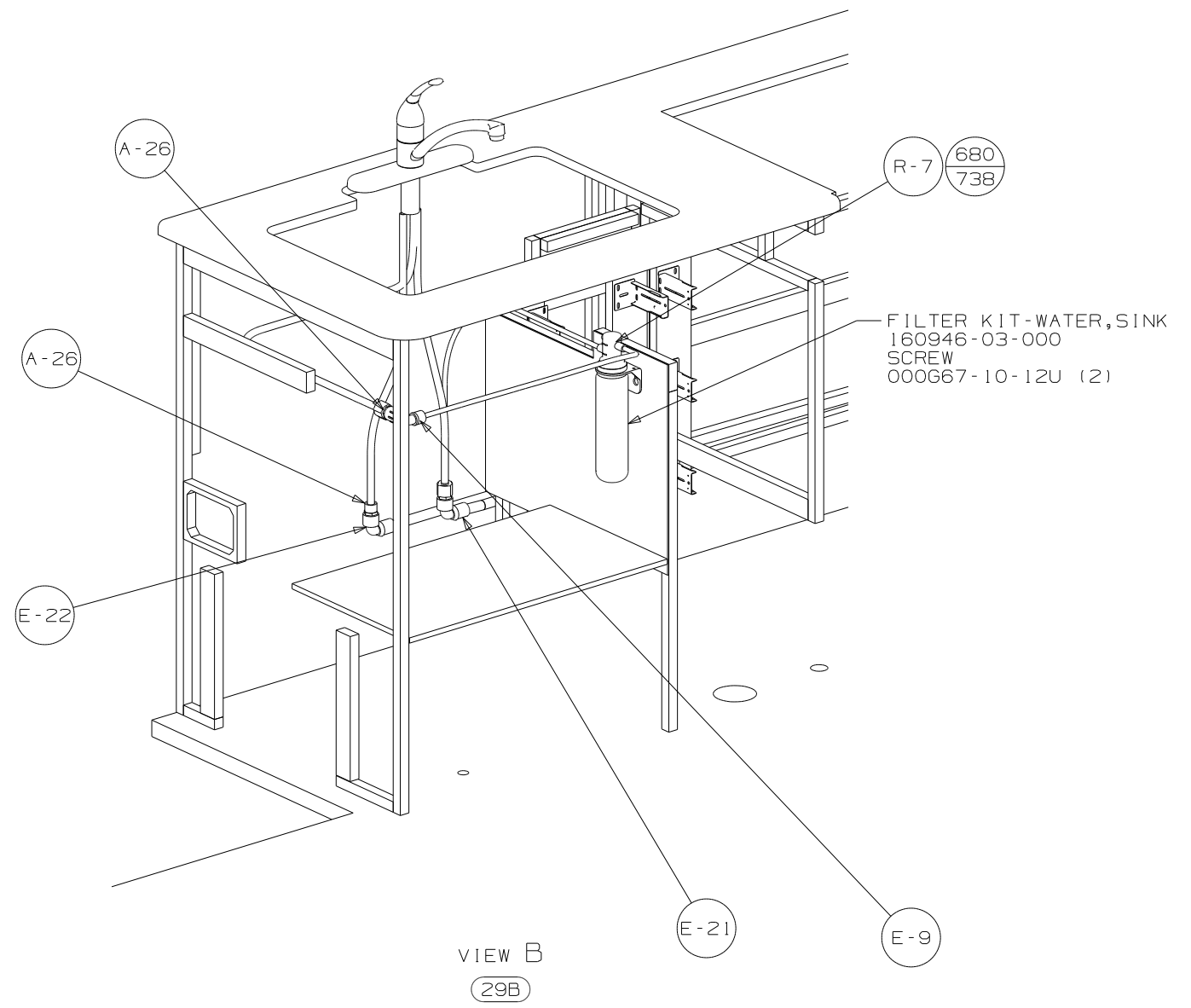
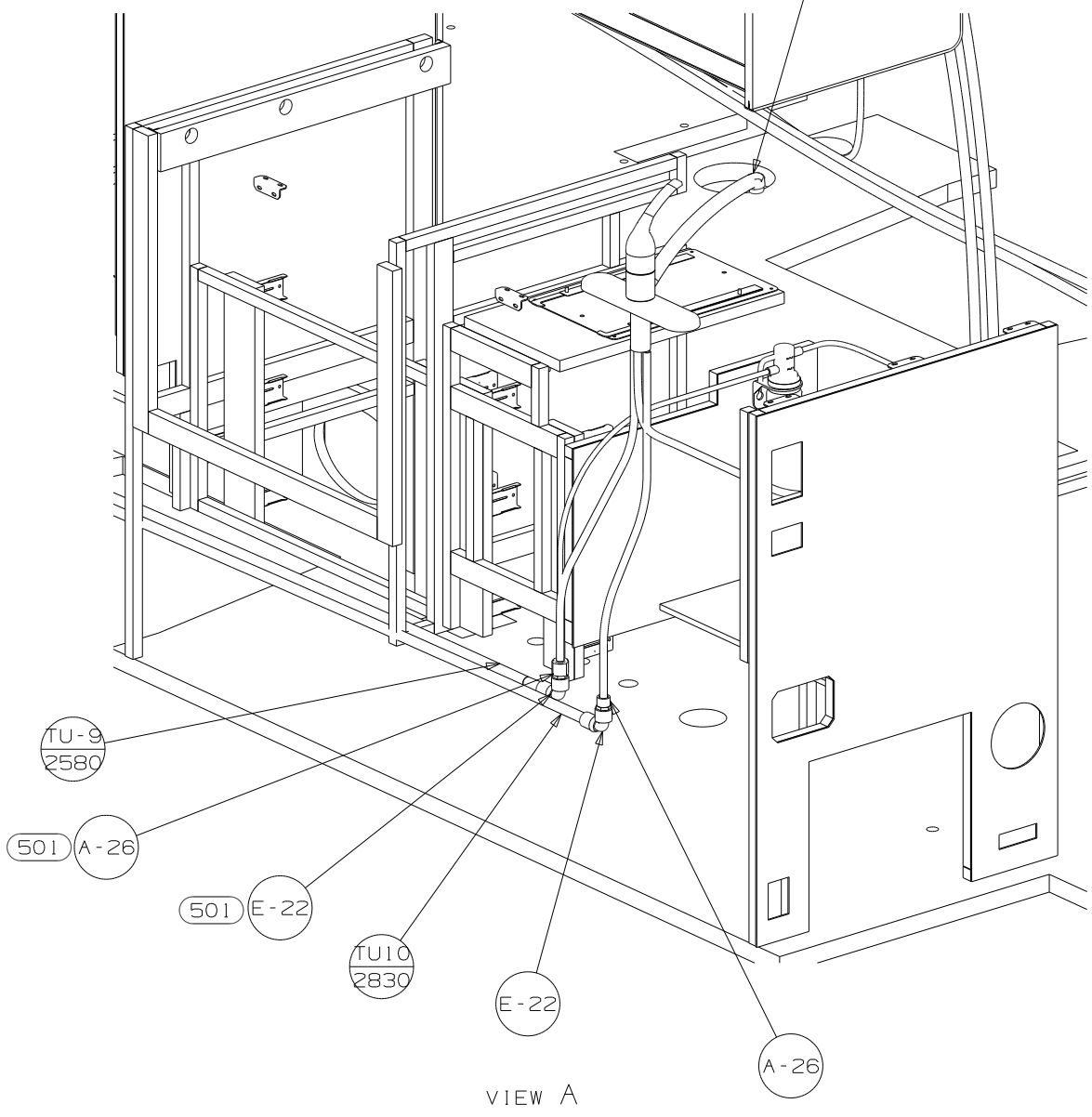
- (53F) WATER HEATER-ELEC. IGNITION
- (53B) WTR HTR-6 GAL ELECTRIC/LP GAS
- (29B) WATER PURIFIER
- (501) WATER PURIFIER-WITHOUT
- (53E) WATER SYS WINTERIZATION PKG
- (64R) EXTERIOR WASH STATION
- (1H6) AIR SPRINGS-WITHOUT

- NOTES:
- 6 ADD TEFLON TAPE 010405-03-000.
  - 5 ADD TEFLON TAPE 010405-02-000.
  - 4 ADD TEFLON TAPE 010405-01-000.
  - 3. ALL TUBING TO BE SECURED AT 1200 INTERVALS MAXIMUM WITH CLAMP 010495-01-000 AND SCREW 000G67-10-12B OR EQUIVALENT.
  - 2. TUBING TO BE INSTALLED WITH SUFFICIENT SLOPE TO PROVIDE DRAINAGE TO NEAREST VALVE.
  - 1. PLASTIC FITTINGS TO BE SEALED WITH SEALANT 084456-01-000.

<b>WINNEBAGO</b>		COPYRIGHT 2011 WINNEBAGO INDUSTRIES, INC.	
DFT	ORIG. DATE	ALL DIMENSIONS ARE IN MILLIMETERS	
CHKR		FIRST USED	
P.E.		11 728B	
M.E.		UNSPECIFIED TOLERANCES ARE:	
DSNR		MATERIAL:	
		WHOLE DIM (X)	: 3
		ONE-PLACE (X.X)	: 1.5
		TWO-PLACE (X.XX)	: 0.50
		ANGLE	: 1°
THIRD ANGLE PROJECTION		DO NOT SCALE DRAWING REFER TO ES0018 FOR FASTENER TIGHTENING GUIDELINES	
TITLE:		WATER SYSTEM INSTL	
SHEET 1 OF 7	PART NO	173990	
REF:		1 2/24/2011	

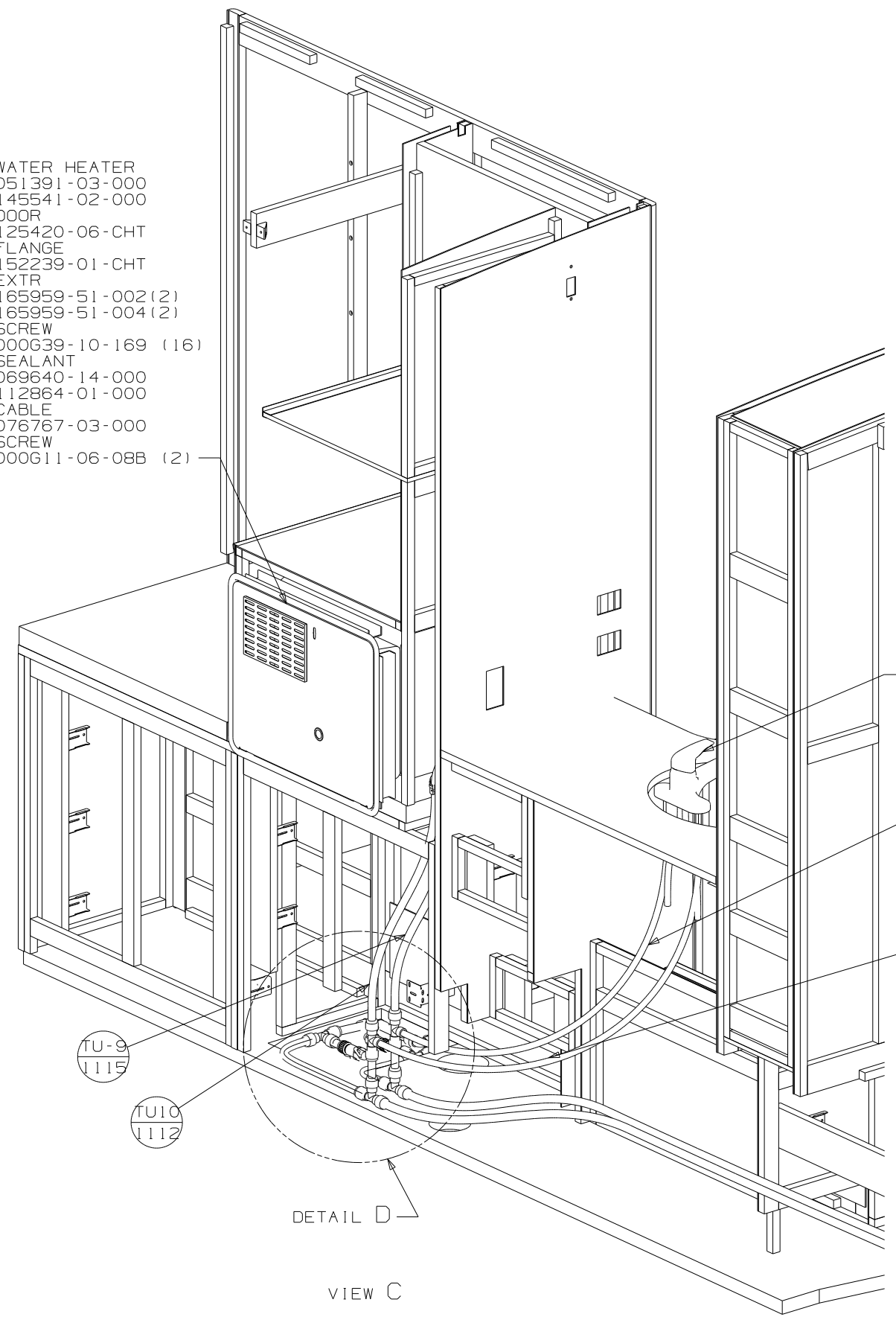
(X-X)  
FOR  
WATER  
CALLOUTS  
SEE DWG NO  
116230-01-000

FAUCET - GALLEY, SGL CONTROL  
149164-01-CHT



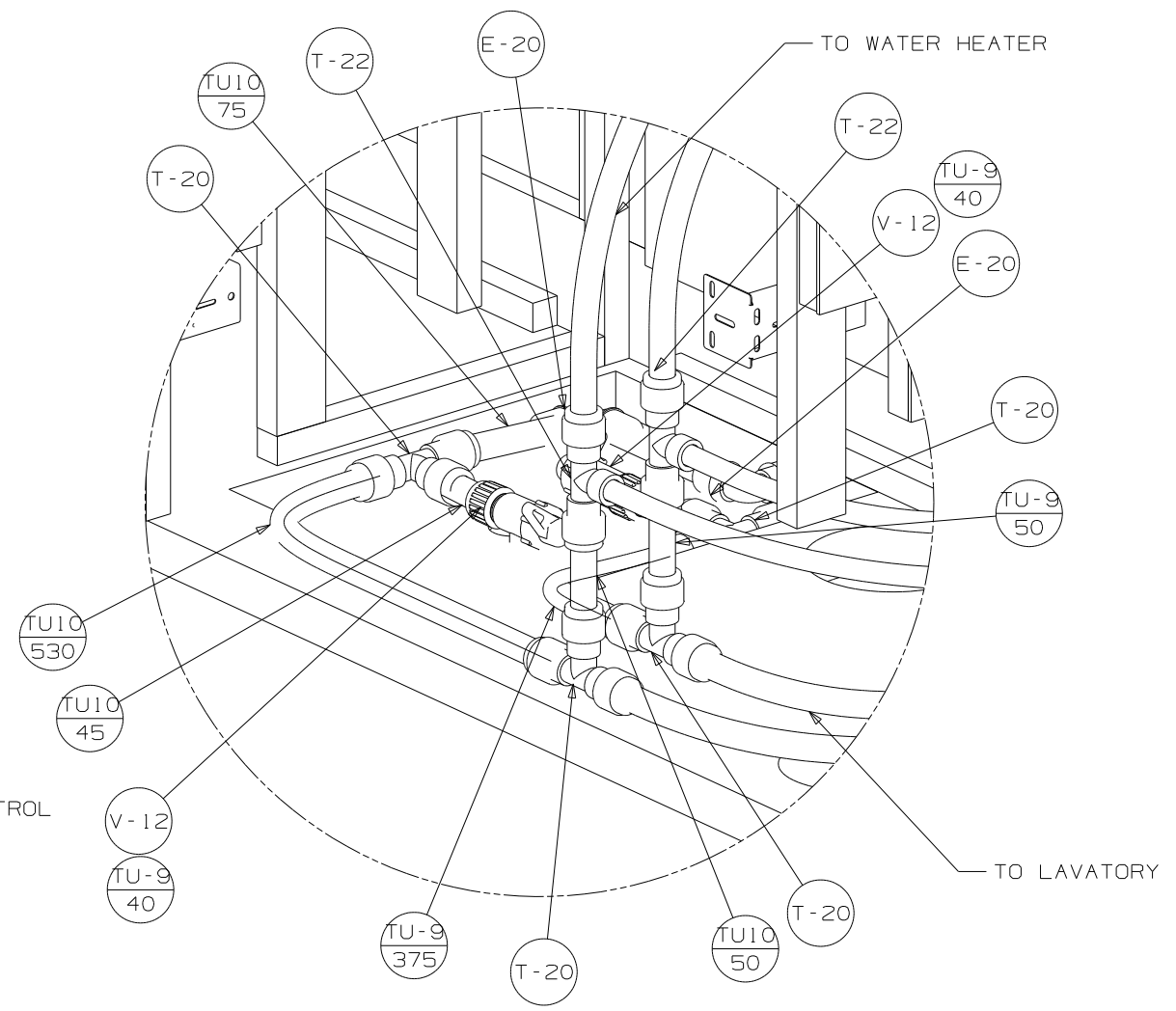
FIRST USED	11 728B		
TITLE:	DO NOT SCALE DRAWING		
	WATER SYSTEM INSTL		
SHEET 2	PART NO	173990	REV

- (53F) WATER HEATER  
051391-03-000
- (53B) 145541-02-000
- DOOR  
125420-06-CHT
- FLANGE  
152239-01-CHT
- EXTR  
165959-51-002 (2)
- 165959-51-004 (2)
- SCREW  
000G39-10-169 (16)
- SEALANT  
069640-14-000
- 112864-01-000
- CABLE  
076767-03-000
- SCREW  
000G11-06-08B (2)



VIEW C

DETAIL D

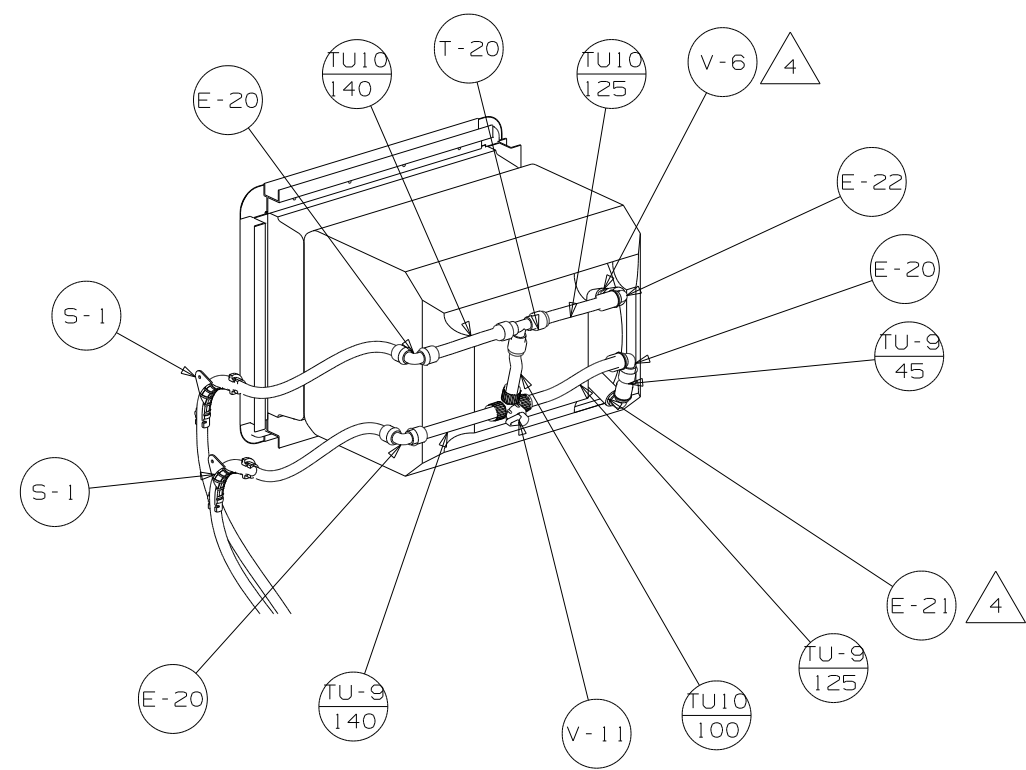


DETAIL D

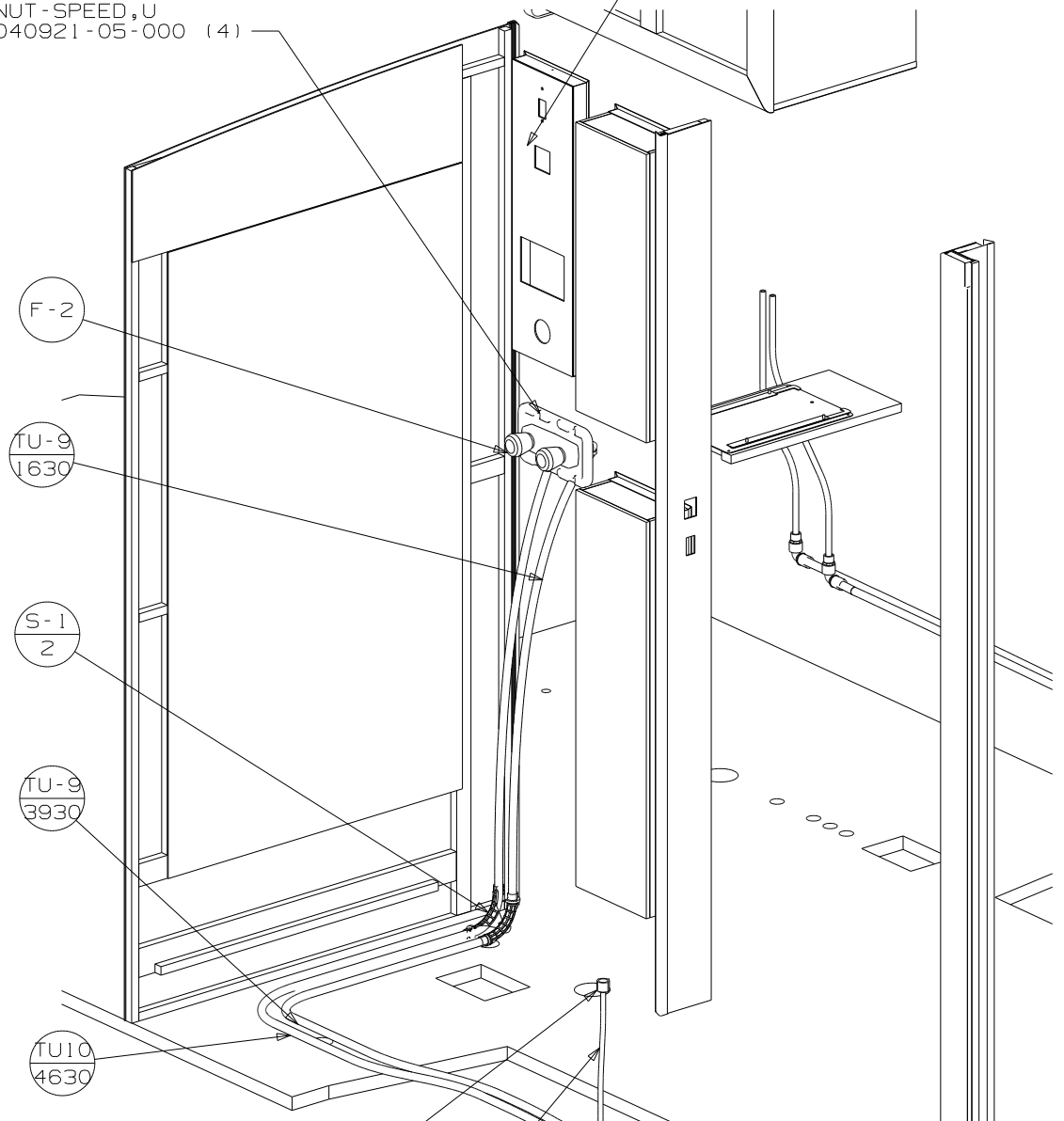
FIRST USED	11 728B		
TITLE	DO NOT SCALE DRAWING		
	WATER SYSTEM INSTL		
SHEET 3	PART NO	173990	REV

PANEL - SHOWER FAUCET  
167738-02-CHT  
SCREW  
000611-08-12U (4)  
COVER  
166569-01-CHT  
NUT - SPEED,U  
040921-05-000 (4)

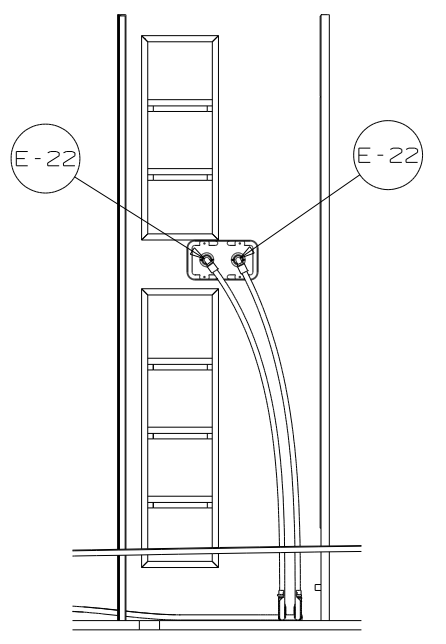
SHOWER HEAD  
176668-01-CHT



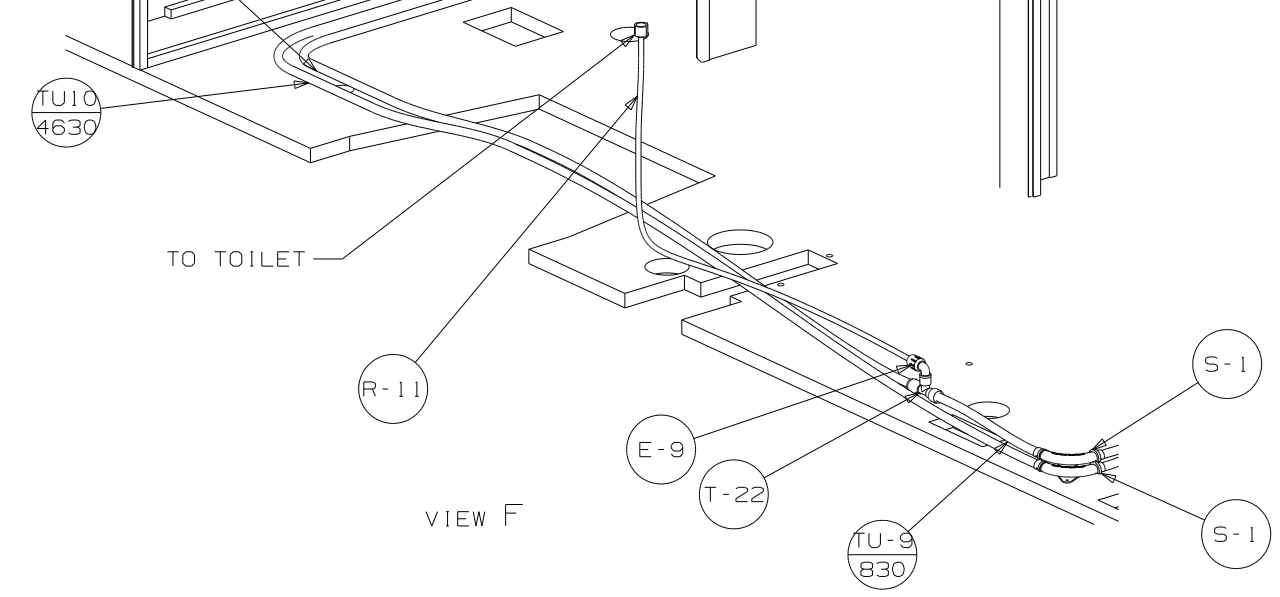
VIEW E



VIEW F

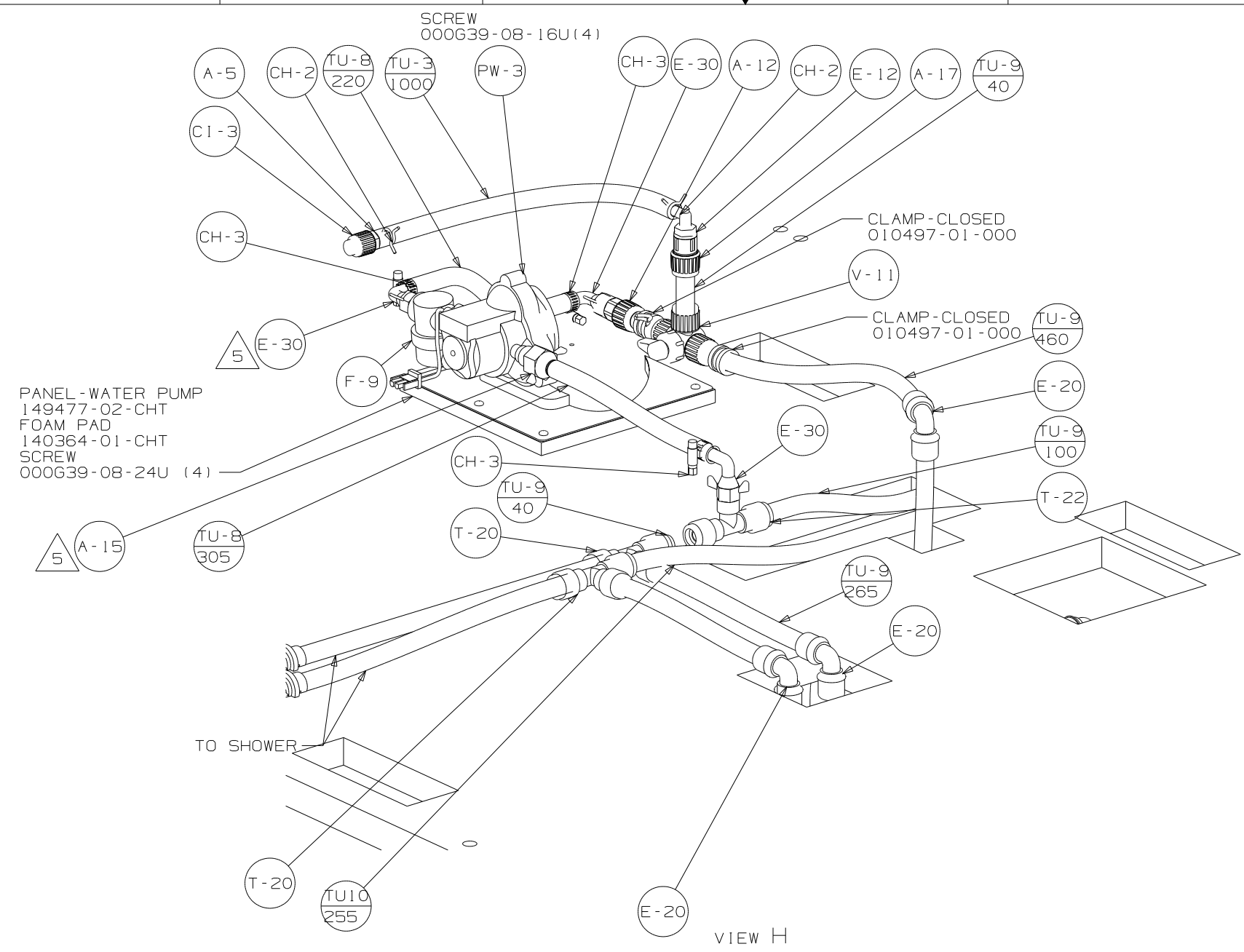


VIEW G



FIRST USED	11 728B		
TITLE	DO NOT SCALE DRAWING		
TITLE	WATER SYSTEM INSTL		
SHEET 4	PART NO	173990	REV

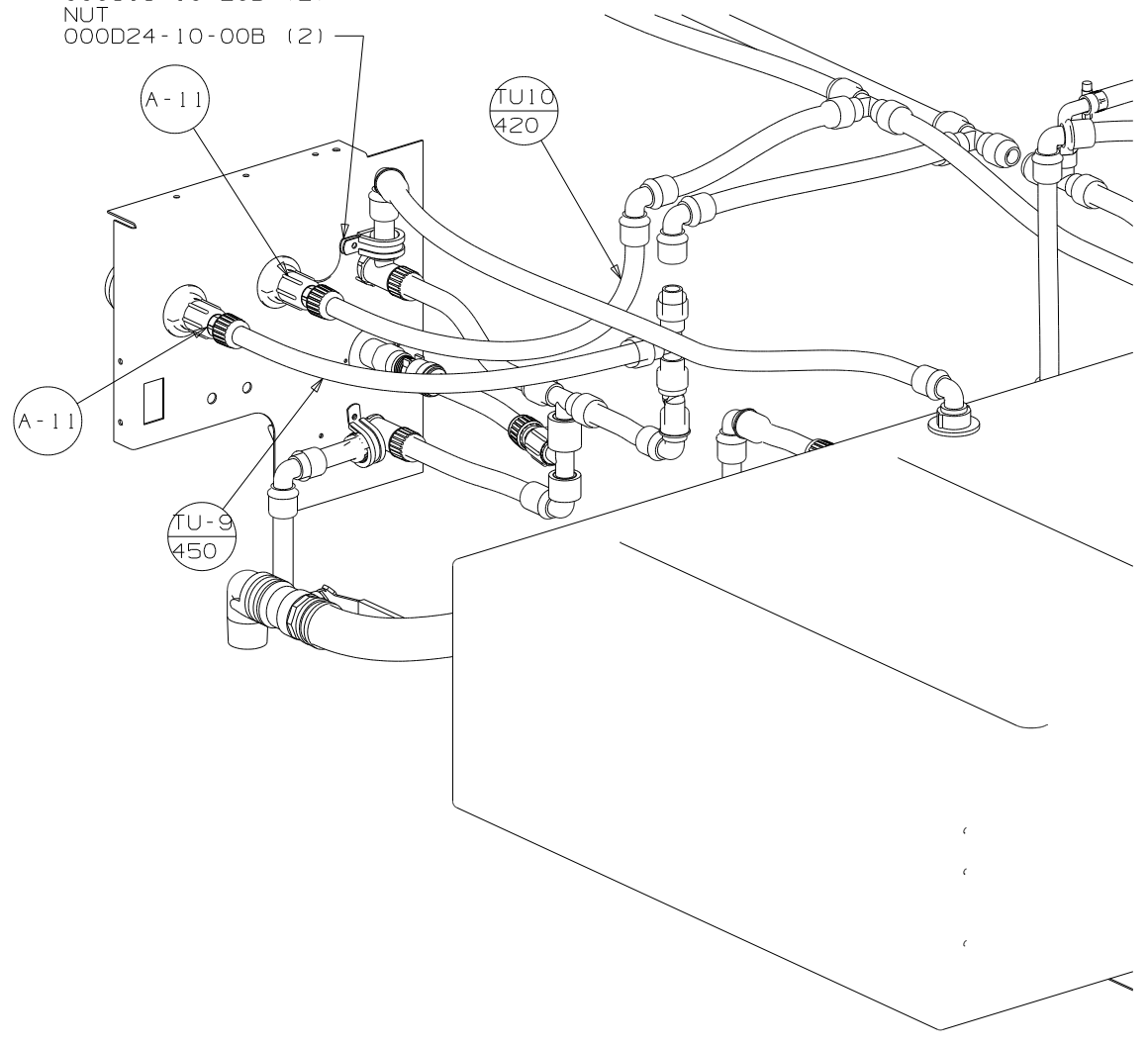




FIRST USED	11 728B	
TITLE	DO NOT SCALE DRAWING	
	WATER SYSTEM INSTL	
SHEET 5	PART NO 173990	REV



- CLAMP  
010497-03-000 (2)
- SCREW  
000G19-10-20B (2)
- NUT  
000D24-10-00B (2)



VIEW K

FIRST USED	11 728B
DO NOT SCALE DRAWING	
TITLE	WATER SYSTEM INSTL
SHEET 7	PART NO 173990 REV