

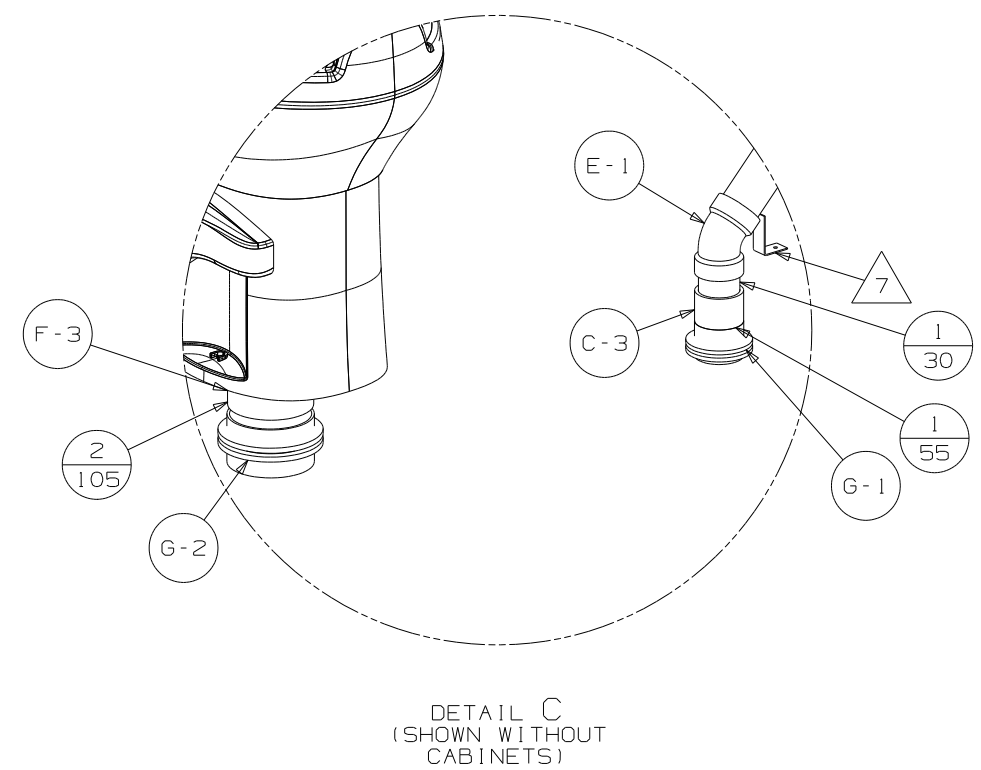
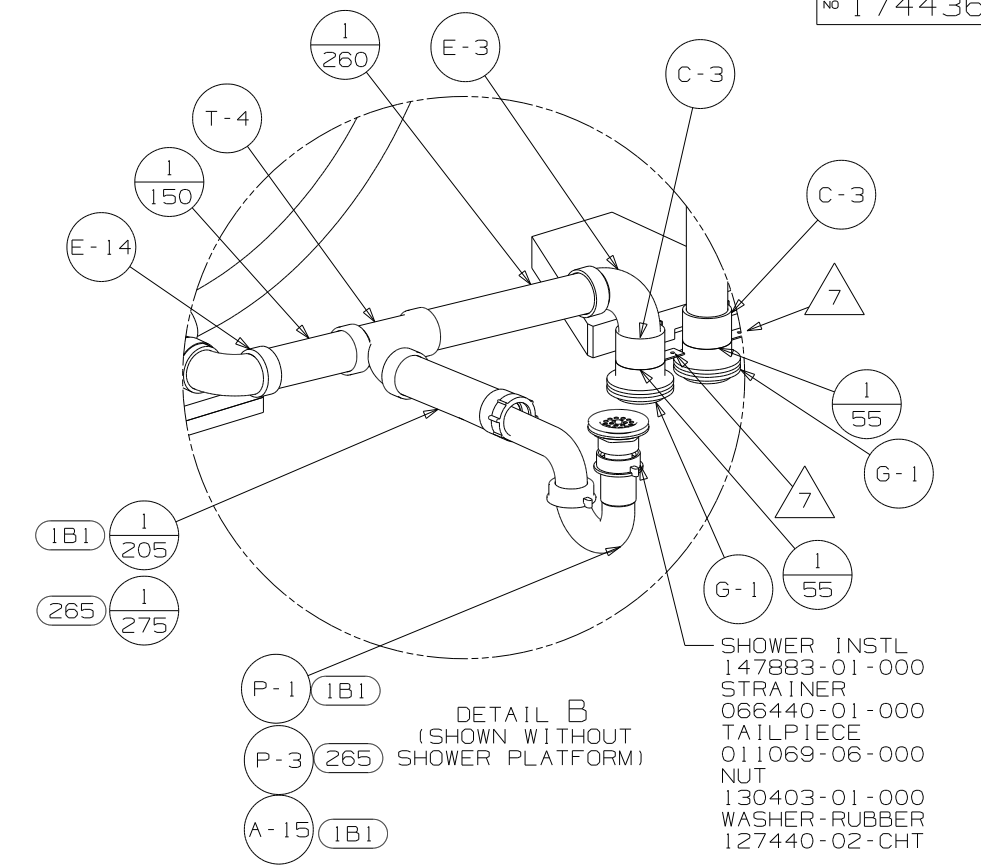
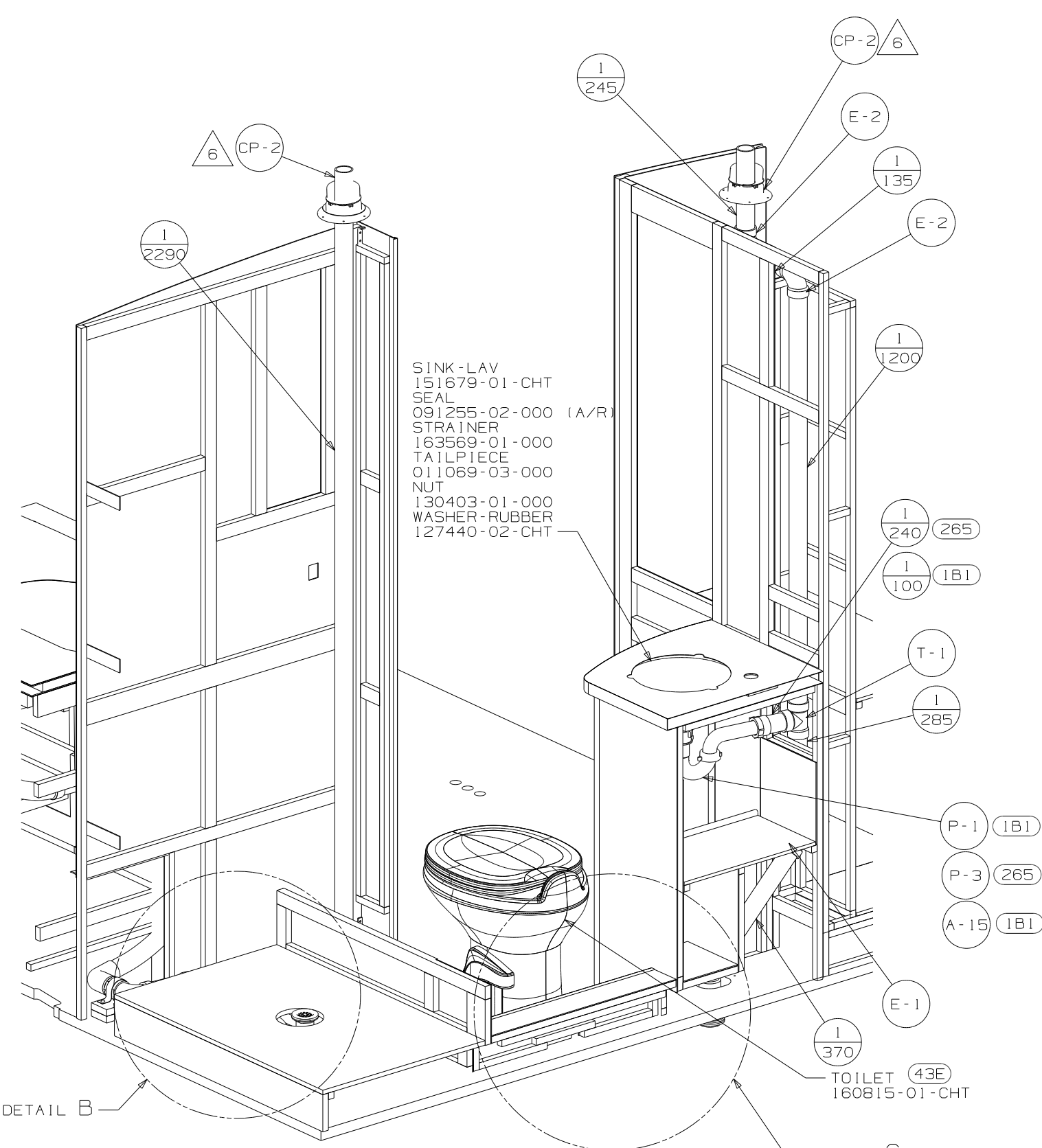
- (1B1) CODES/STANDARDS-USA
- (265) CODES/STANDARDS-CSA/CMVSS
- (43E) TOILET-PORCELAIN
- (1JD) DRAINAGE SYSTEM-HEATED-W/O
- (23T) DRAINAGE SYSTEM-HEATED

- 9. PREP THE SURFACE PER MANUFACTURERS INSTRUCTIONS, BEFORE APPLYING THE HEATING PAD.
- 8. USE SMOOTH PLUMBERS PUTTY 167459-01-000 TO SEAL STRAINER (.2 PER STRAINER).
- 7. SECURE VENT PIPE TO FLOOR WITH CLAMP 062401-02-000 (2), SCREW 000G67-10-12B (2), BRACKET 136878-01-CHT (2).
- 6. VENT PIPE MUST PROJECT 51 MIN AND 64 MAX ABOVE ROOF FOR PROPER FIT AND FUNCTION. ADD S-1 (116666-01-CHT SEAL-VENT PIPE) AROUND PIPE ON ROOF BEFORE VENT CAP IS INSTALLED.
- 5. SEAL AROUND SHOWER WITH SILICONE.
- 4. SECURE DRAINAGE PIPES TO CABINET USING WIRE TIES 108046-02-000 AND SCREW 000G67-10-12U AT INTERVALS OF NOT MORE THAN 4 FEET APART.
- 3. ALL PIPE AND FITTINGS TO BE ASSEMBLED WITH SOLVENT 004020-01-000 (USA), 004020-02-000 (CAN)
- 2. SLOPE OF TRAP ARM MUST BE 6 PER 305 mm.
- 1. SLOPE OF HORIZONTAL PIPING TO BE MINIMUM OF 3 PER 305 mm.

NOTES:

FOR DRAINAGE CALLOUTS SEE DWG NO 116229-01-000

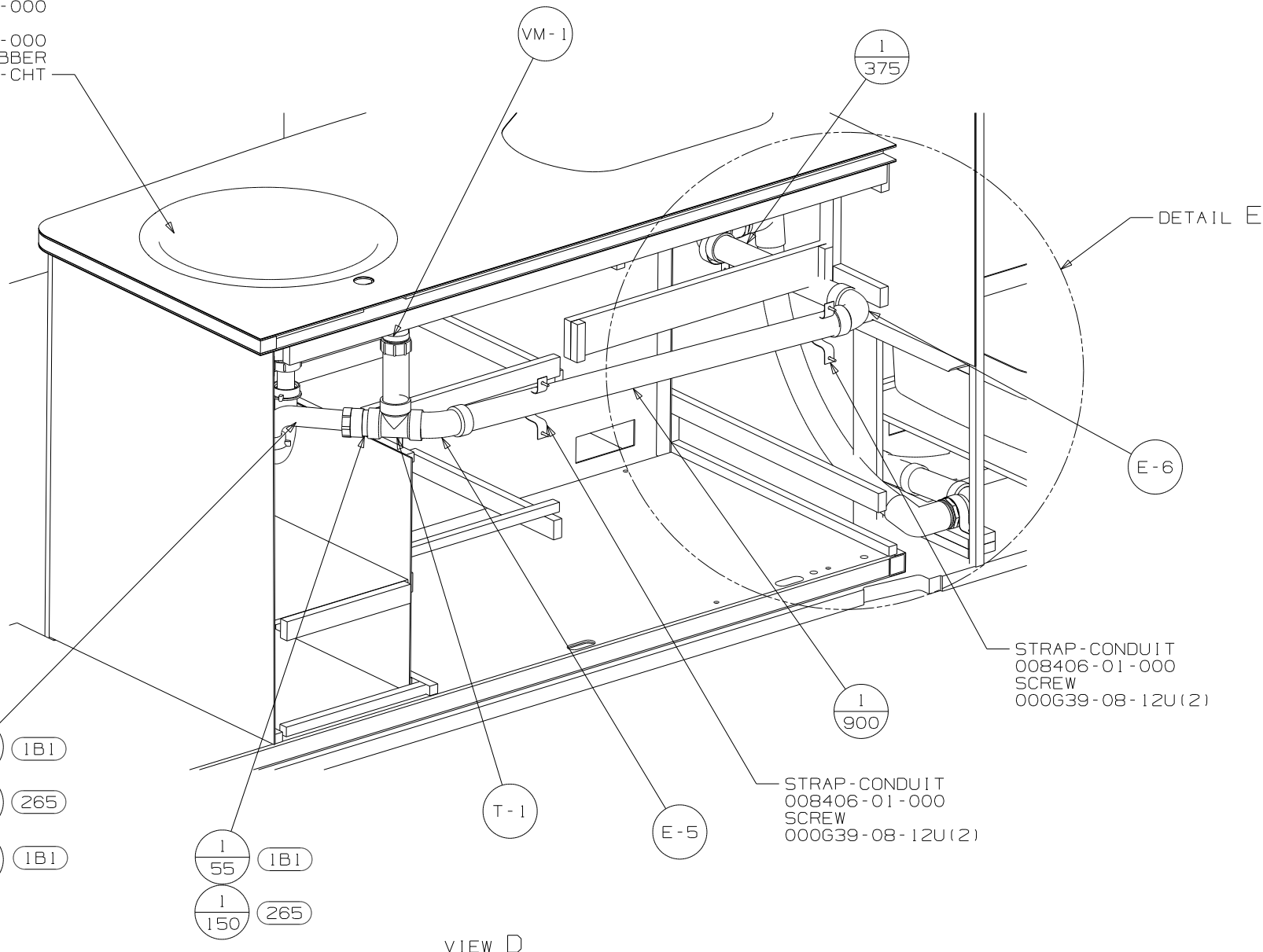
WINNEBAGO		COPYRIGHT 2010 WINNEBAGO INDUSTRIES, INC.	
DFT	ORIG. DATE	ALL DIMENSIONS ARE IN MILLIMETERS	
CHKR		11 524K	
P.E.		UNSPECIFIED TOLERANCES ARE:	
M.E.	FIRST USED	WHOLE DIM (X)	: 3
DSNR		ONE-PLACE (X.X)	: 1.5
		TWO-PLACE (X.XX)	: 0.50
		ANGLE	: 1°
THIRD ANGLE PROJECTION		MATERIAL:	
DO NOT SCALE DRAWING		REFER TO ES0018 FOR FASTENER TIGHTENING GUIDELINES	
TITLE: DRAINAGE SYSTEM INSTL			
SHEET 1 OF 5	PART NO 174436	REV	
REF:	12/10/2010		



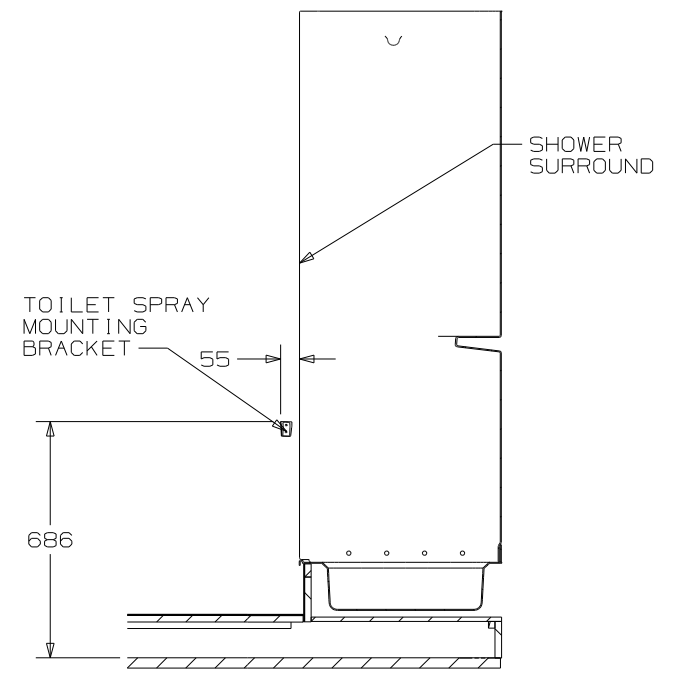
FIRST USED	11 524K
DO NOT SCALE DRAWING	
TITLE	DRAINAGE SYSTEM INSTL
SHEET 2	PART NO 174436 REV

- GALLEY SINK
165118-01-CHT
- SEAL
091255-02-000 (A/R)
- STRAINER
092303-01-000
- TAILPIECE
011069-05-000
- NUT
130403-01-000
- WASHER-RUBBER
127440-02-CHT

8

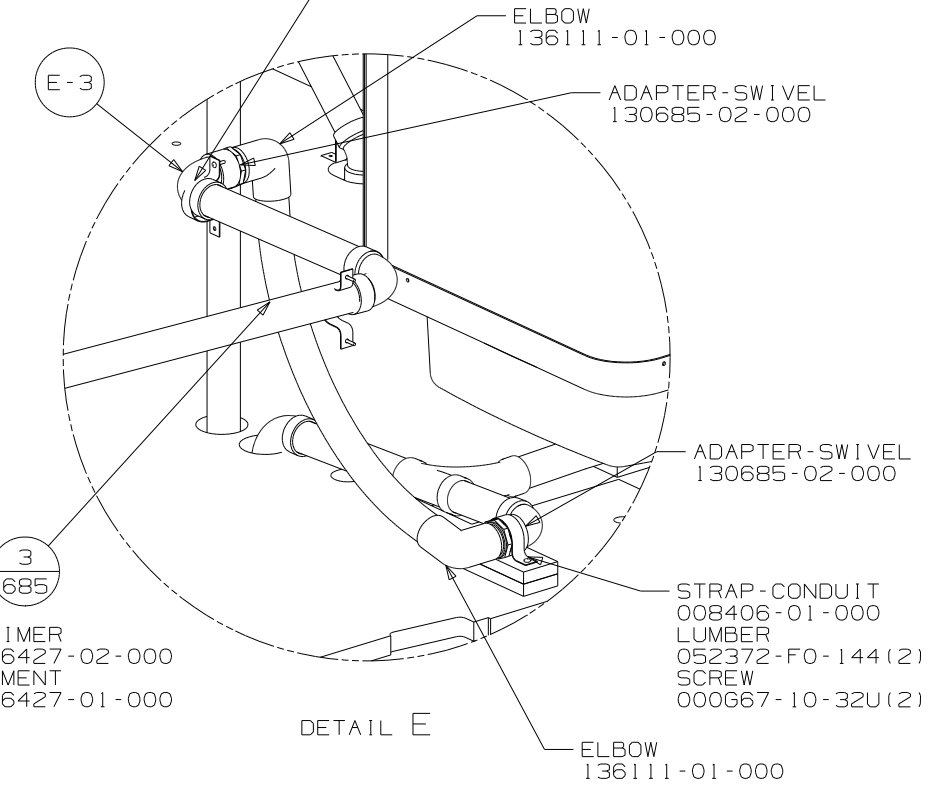


VIEW D



SECTION F-F
(ROTATED)

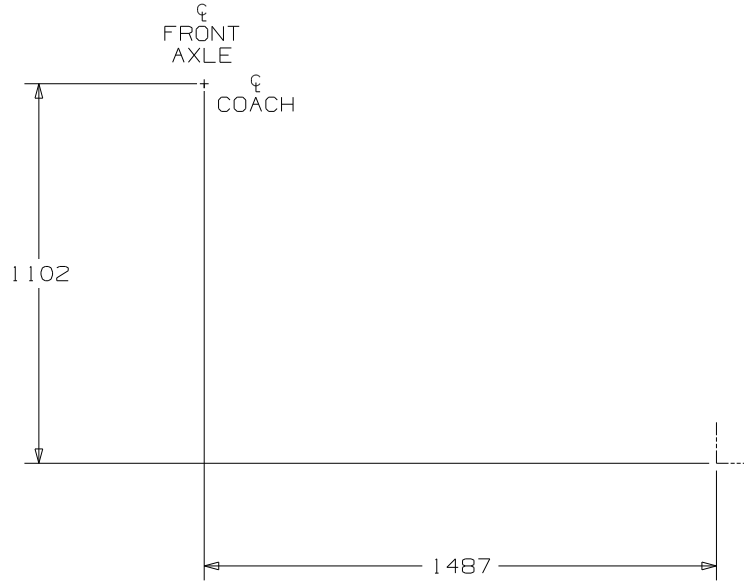
- STRAP-CONDUIT
008406-01-000
- SCREW
000G39-08-12U(2)



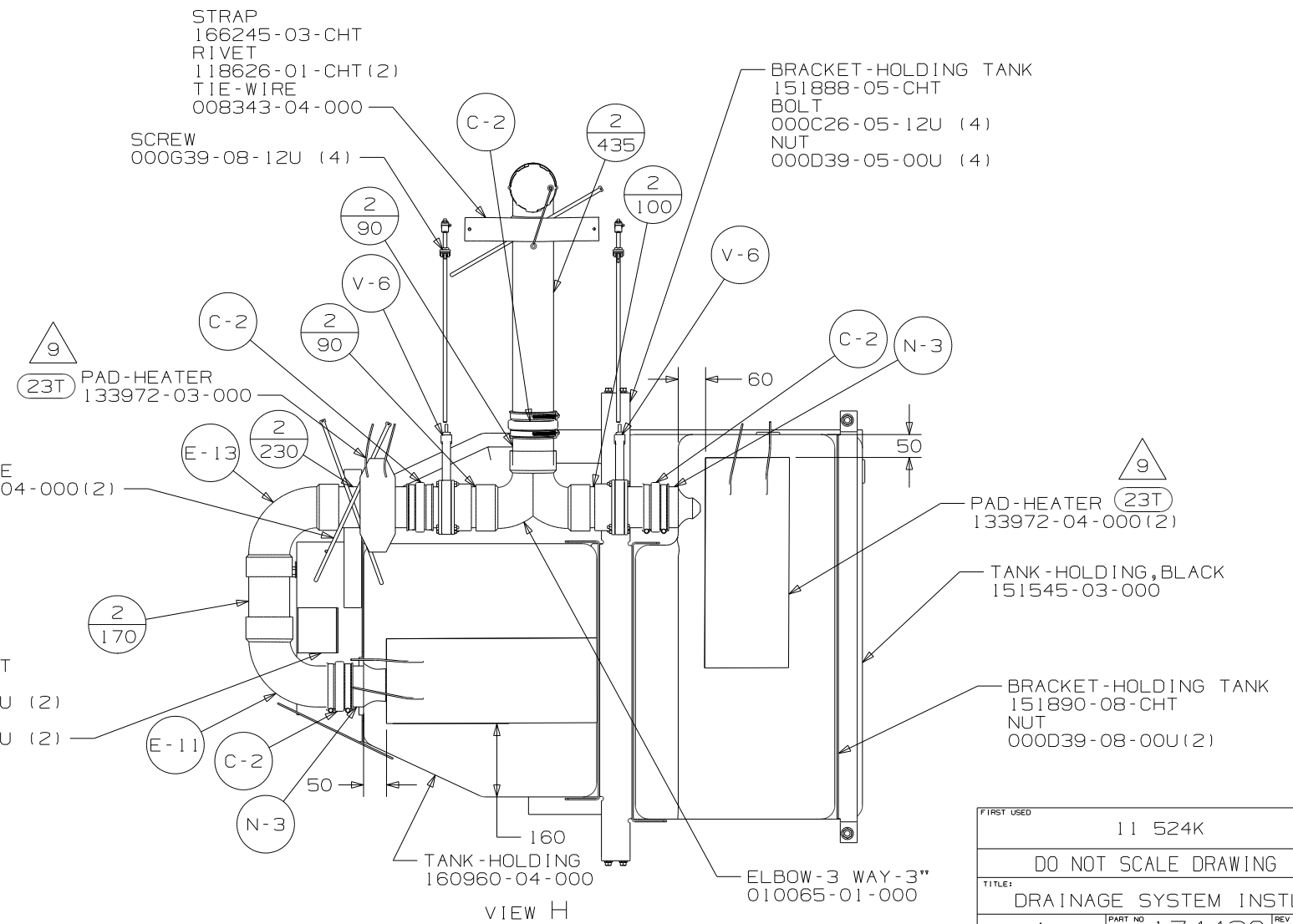
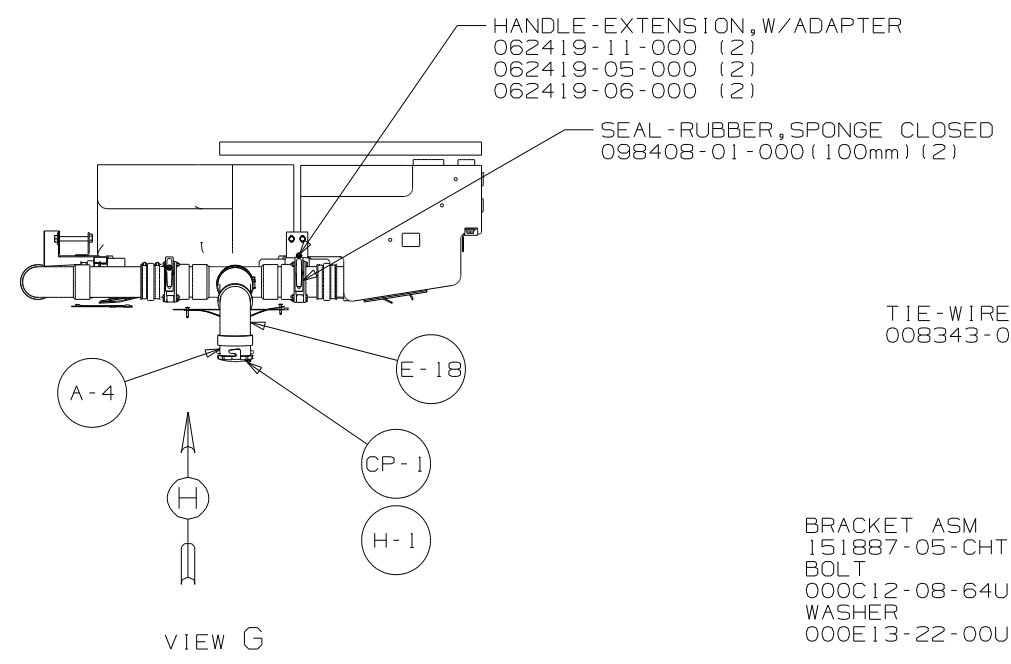
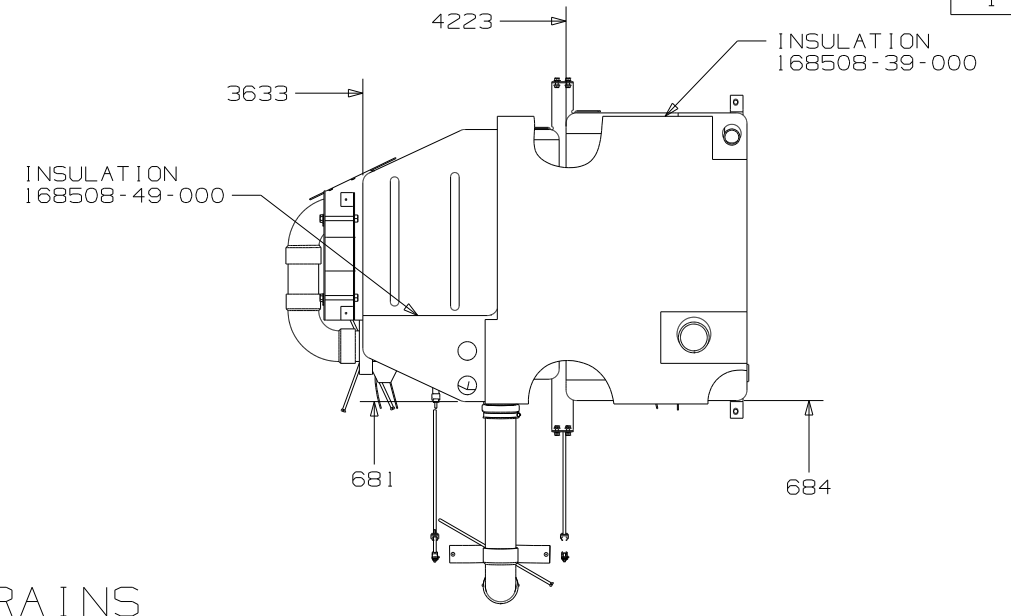
DETAIL E

- PRIMER
126427-02-000
- CEMENT
126427-01-000

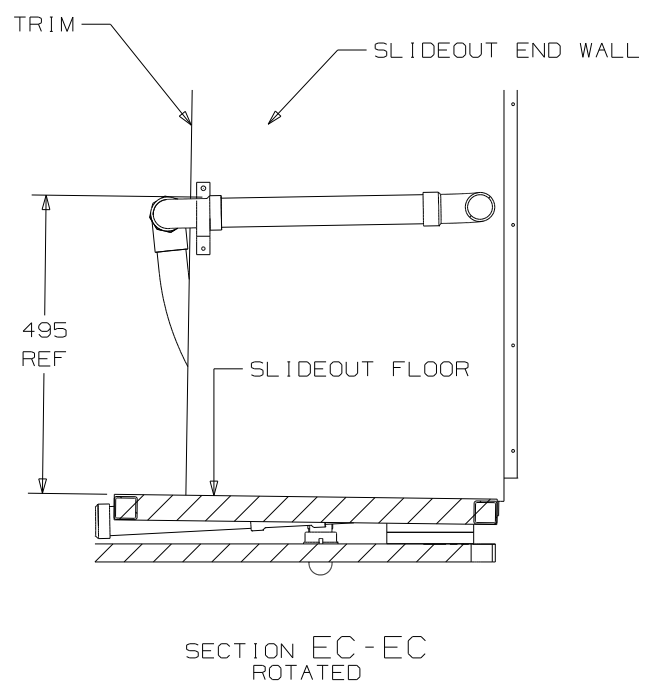
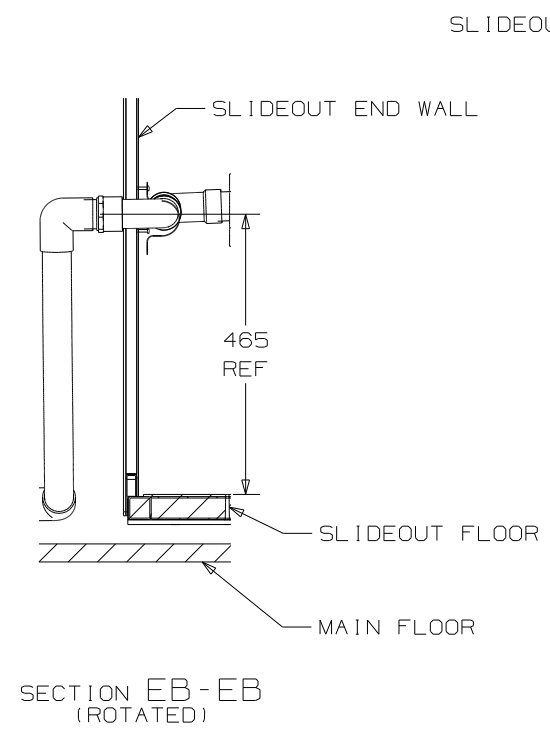
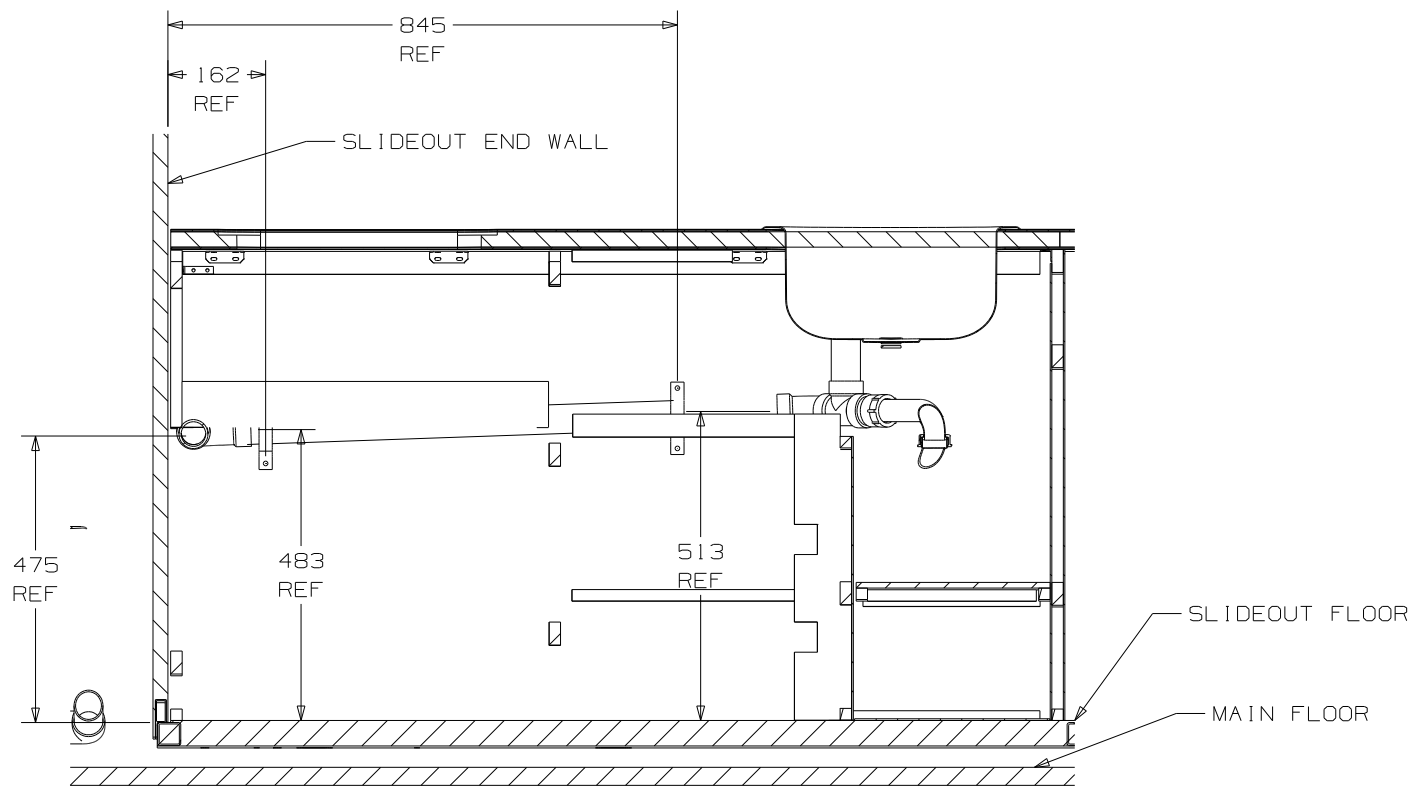
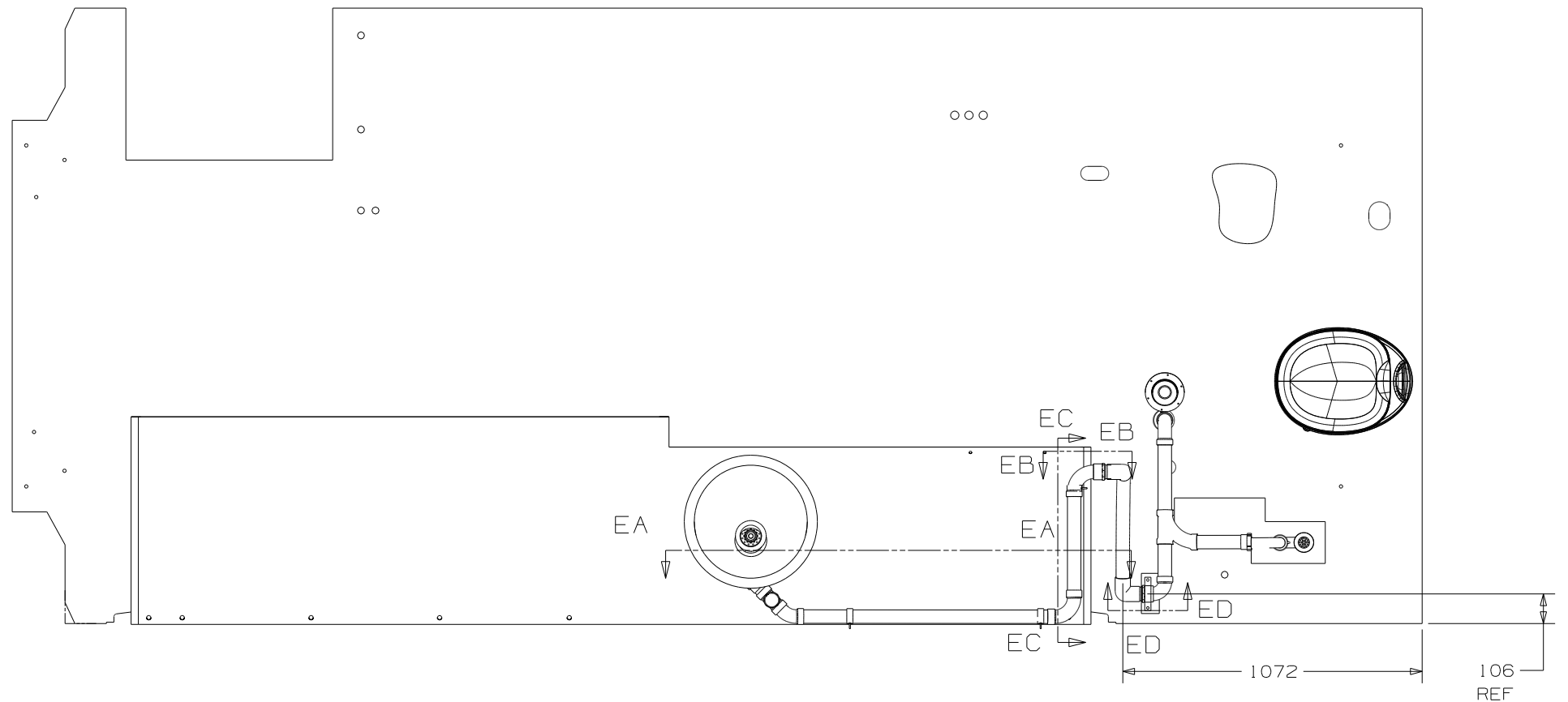
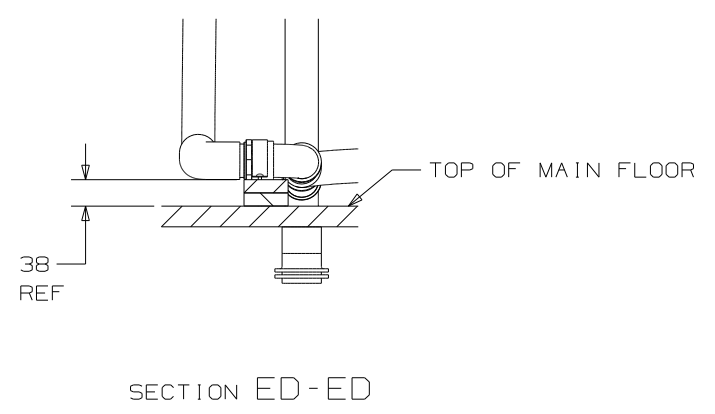
FIRST USED	11 524K		
DO NOT SCALE DRAWING			
TITLE	DRAINAGE SYSTEM INSTL		
SHEET 3	PART NO	174436	REV



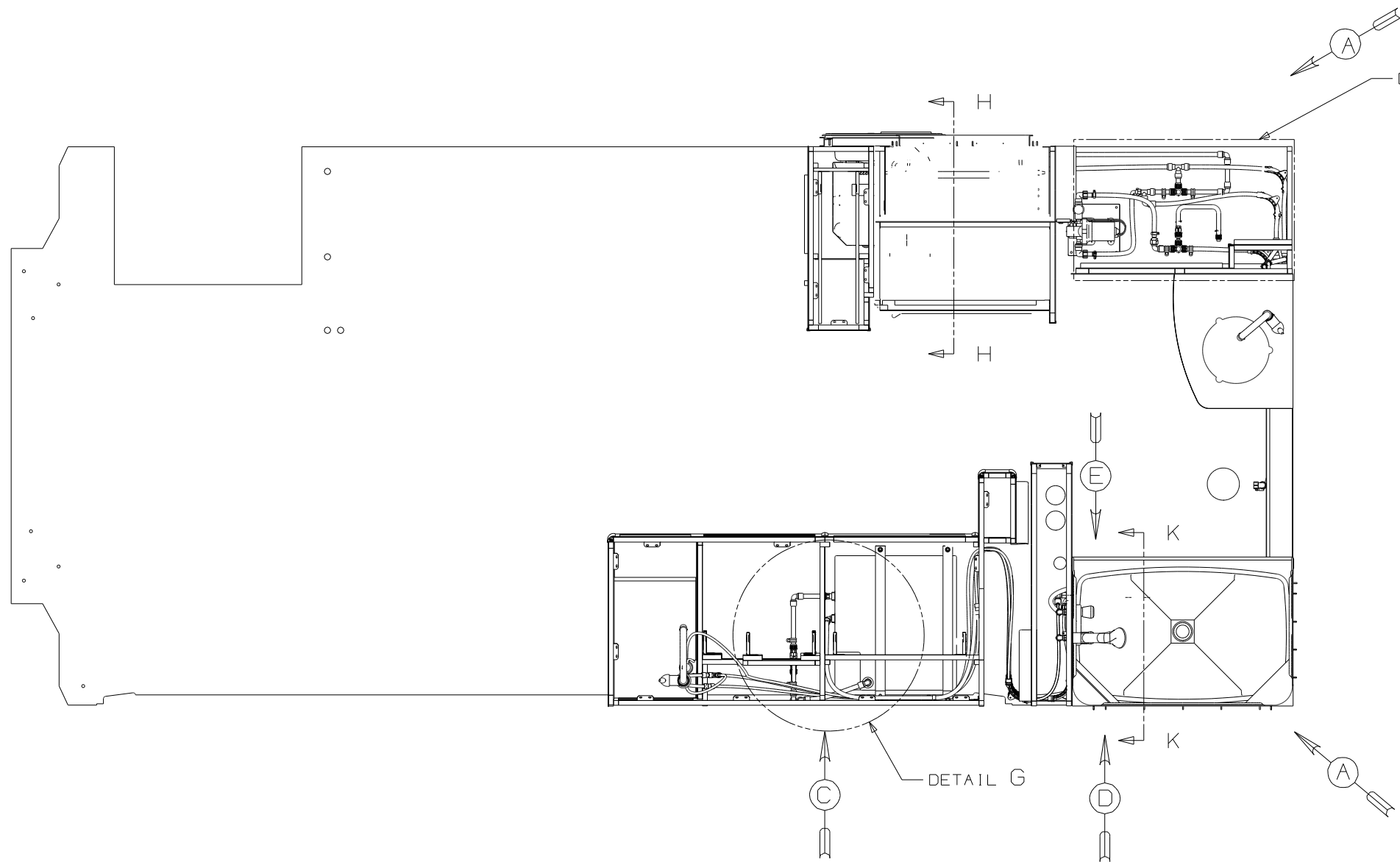
VIEW SHOWING TANKS AND DRAINS



FIRST USED	11 524K		
DO NOT SCALE DRAWING			
TITLE:	DRAINAGE SYSTEM INSTL		
SHEET 4	PART NO	174436	REV



FIRST USED	11 524K		
TITLE	DO NOT SCALE DRAWING		
	DRAINAGE SYSTEM INSTL		
SHEET 5	PART NO	174436	REV



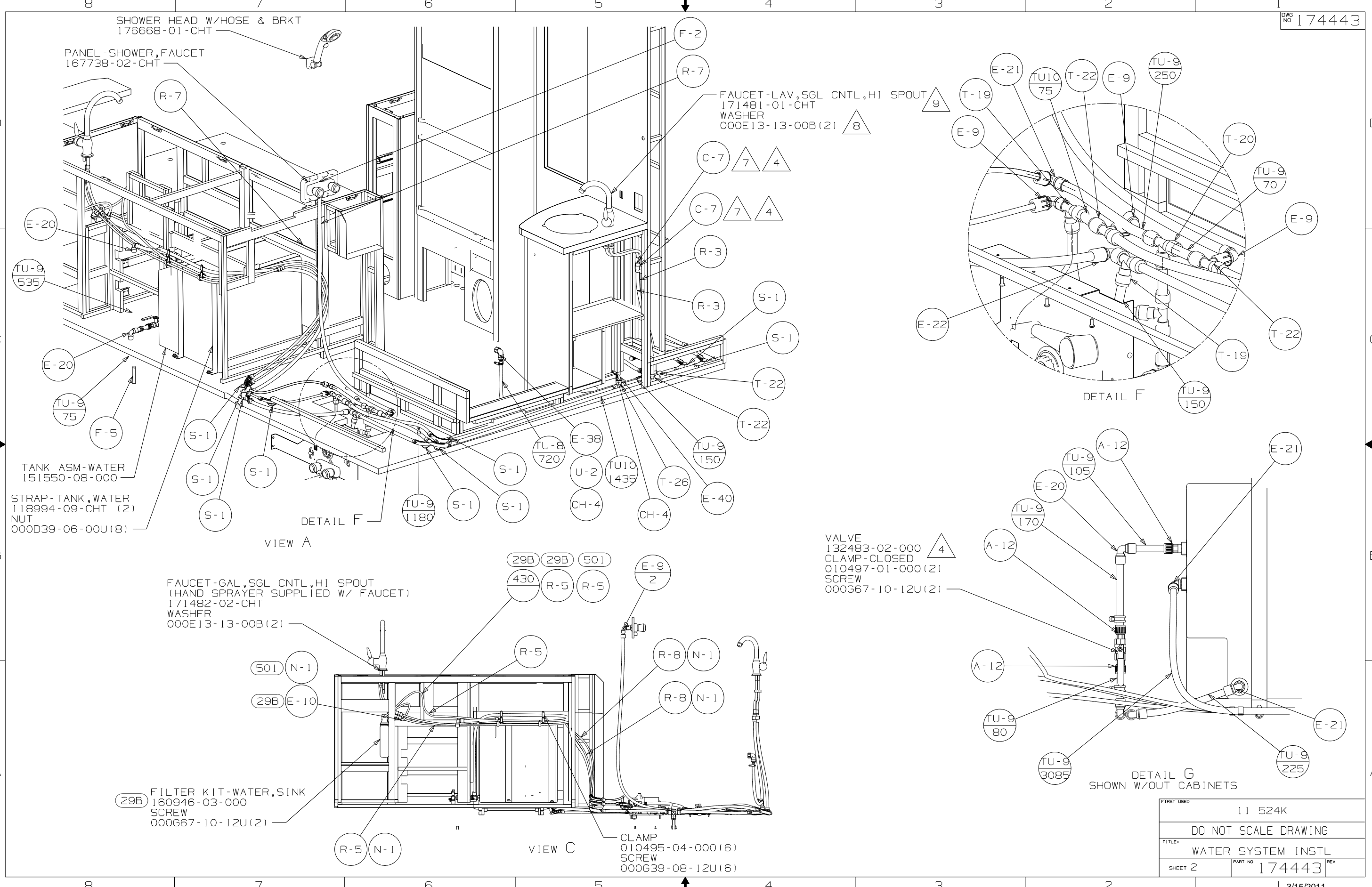
- (29B) WATER PURIFIER
- (501) WATER PURIFIER W/O
- (53E) WINTERIZING PKG
- (53F) WATER HEATER-ELEC. IGN.
- (53B) WTR HTR-6GAL ELECTRIC/LP GAS
- (64R) EXT WASH STATION
- (1J4) EXT WASH STATION W/O

- △9 LAVATORY FAUCET SPOUT TO BE TURNER 180° SO CONTROLS ARE ON LEFT SIDE.
 - △8 INSTALL BETWEEN MOUNTING PLATE AND RETAINING NUTS.
 - △7 INSTALL CONNECTOR WITH TAPERED END AWAY FROM FAUCET.
 - △6 ADD TEFLON TAPE 010405-03-000.
 - △5 ADD TEFLON TAPE 010405-02-000.
 - △4 ADD TEFLON TAPE 010405-01-000.
3. ALL TUBING TO BE SECURED AT 1200 INTERVALS MAXIMUM WITH CLAMP 010495-01-000 AND SCREW 000G67-10-12B OR EQUIVALENT.
 2. TUBING TO BE INSTALLED WITH SUFFICIENT SLOPE TO PROVIDE DRAINAGE TO NEAREST VALVE.
 1. PLASTIC FITTINGS TO BE SEALED WITH SEALANT 084456-01-000.

NOTES:

FOR
WATER
CALLOUTS
SEE DWG NO
116230-01-000

WINNEBAGO		COPYRIGHT 2011 WINNEBAGO INDUSTRIES, INC.	
DFTR	ORIG. DATE	ALL DIMENSIONS ARE IN MILLIMETERS	
CHKR		FIRST USED	
P.E.		11 524K	
M.E.		UNSPECIFIED TOLERANCES ARE:	
DSNR		MATERIAL:	
		WHOLE DIM (X)	: 3
		ONE-PLACE (X.X)	: 1.5
		TWO-PLACE (X.XX)	: 0.50
		ANGLE	: 1°
THIRD ANGLE PROJECTION		DO NOT SCALE DRAWING REFER TO ES0018 FOR FASTENER TIGHTENING GUIDELINES	
TITLE: WATER SYSTEM INSTL			
SHEET 1 OF 4	PART NO	174443	REV
REF:	1 3/15/2011		



SHOWER HEAD W/HOSE & BRKT
176668-01-CHT

PANEL-SHOWER, FAUCET
167738-02-CHT

FAUCET-LAV, SGL CNTL, HI SPOUT
171481-01-CHT
WASHER
000E13-13-00B(2)

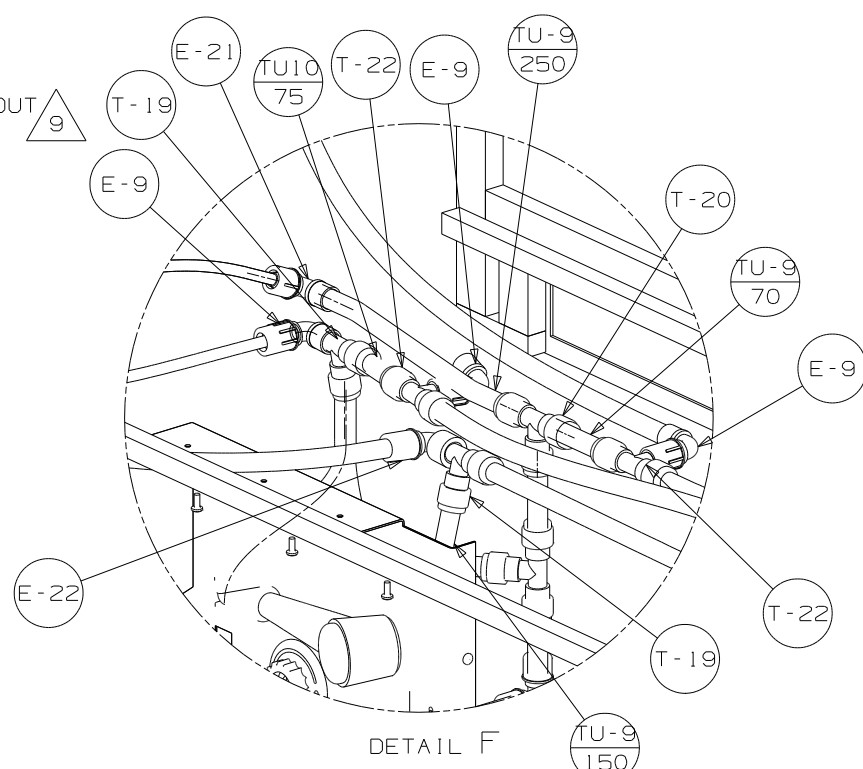
TANK ASM-WATER
151550-08-000
STRAP-TANK, WATER
118994-09-CHT (2)
NUT
000D39-06-00U(8)

FAUCET-GAL, SGL CNTL, HI SPOUT
(HAND SPRAYER SUPPLIED W/ FAUCET)
171482-02-CHT
WASHER
000E13-13-00B(2)

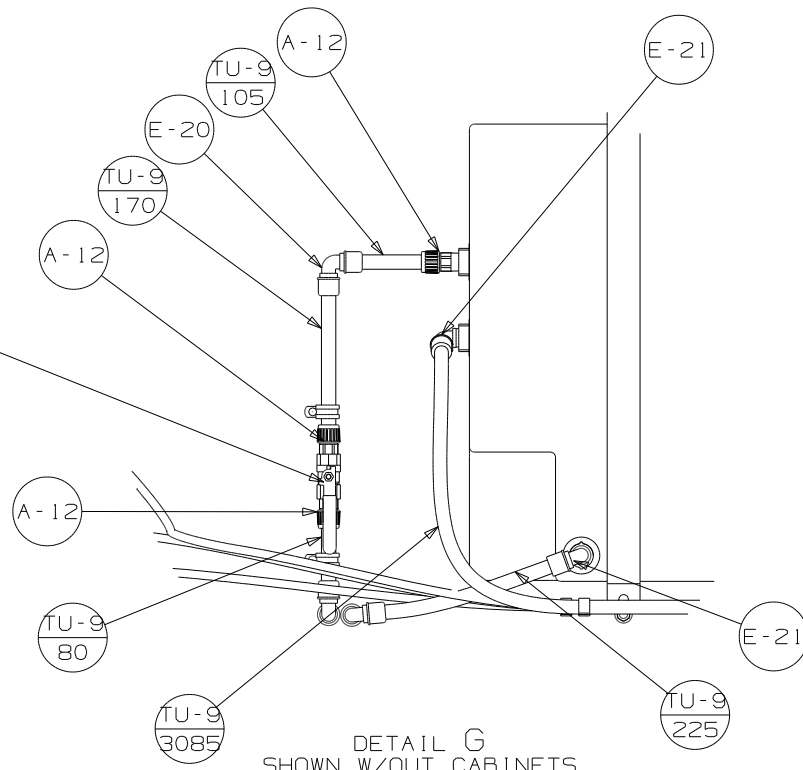
FILTER KIT-WATER, SINK
160946-03-000
SCREW
000G67-10-12U(2)

VALVE
132483-02-000
CLAMP-CLOSED
010497-01-000(2)
SCREW
000G67-10-12U(2)

CLAMP
010495-04-000(6)
SCREW
000G39-08-12U(6)

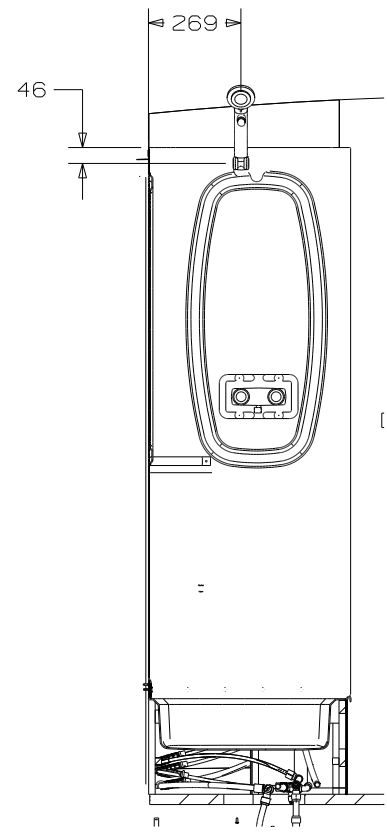


DETAIL F

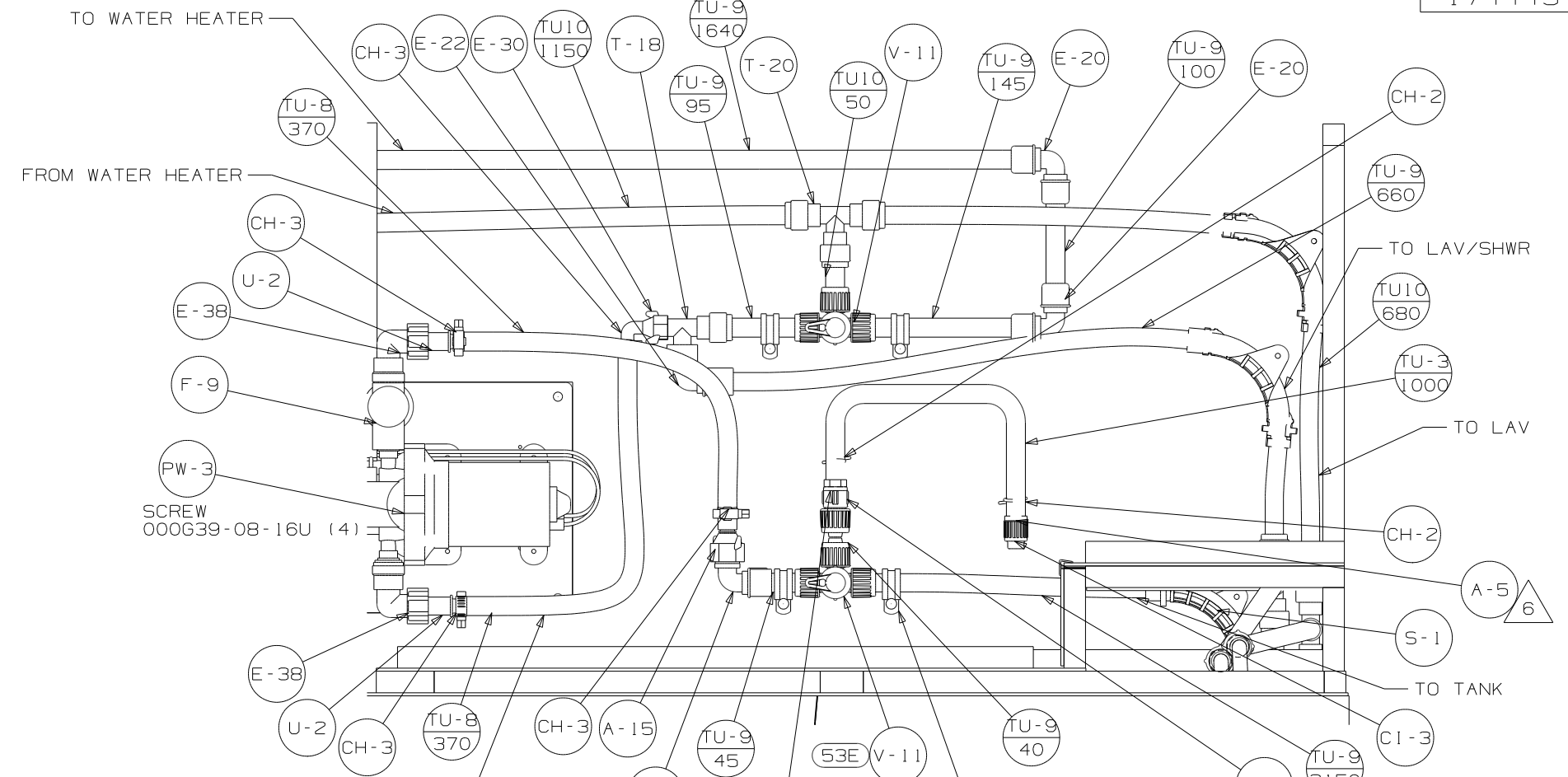


DETAIL G
SHOWN W/OUT CABINETS

FIRST USED	11 524K
DO NOT SCALE DRAWING	
TITLE:	WATER SYSTEM INSTL
SHEET 2	PART NO 174443 REV
1 3/15/2011	



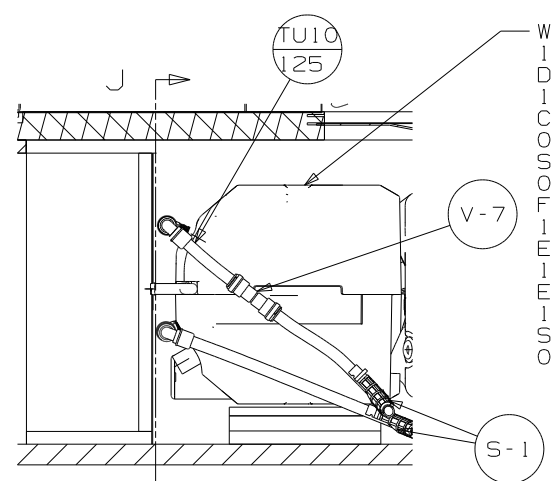
SECTION K-K



- PANEL - WATER PUMP 149477-02-CHT
- FOAM 140364-01-CHT
- SCREW 000G39-08-24U (4)

- CLAMP - CLOSED 010497-01-000 (4)
- SCREW 000G67-10-12U (4)

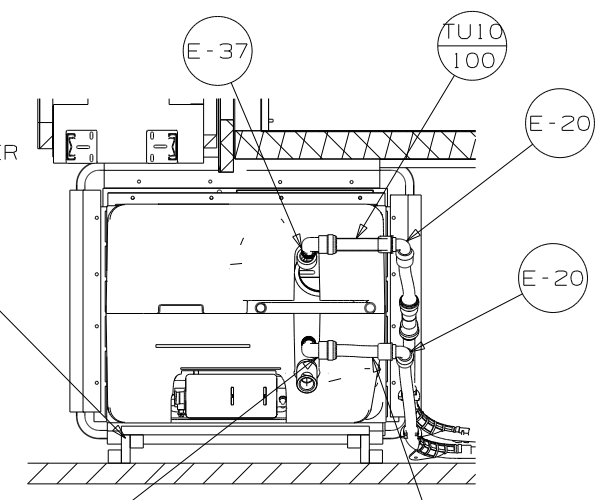
DETAIL B



SECTION H-H (ROTATED)

- WATER HEATER 145541-02-000 (53B)
- DOOR 125420-06-CHT
- CABLE 076767-03-000
- SCREW 000G11-06-08U (2)
- FLANGE 152239-01-CHT
- EXTR 165959-51-002 (2)
- EXTR 165959-51-004 (2)
- SCREWS 000G39-10-169 (16)

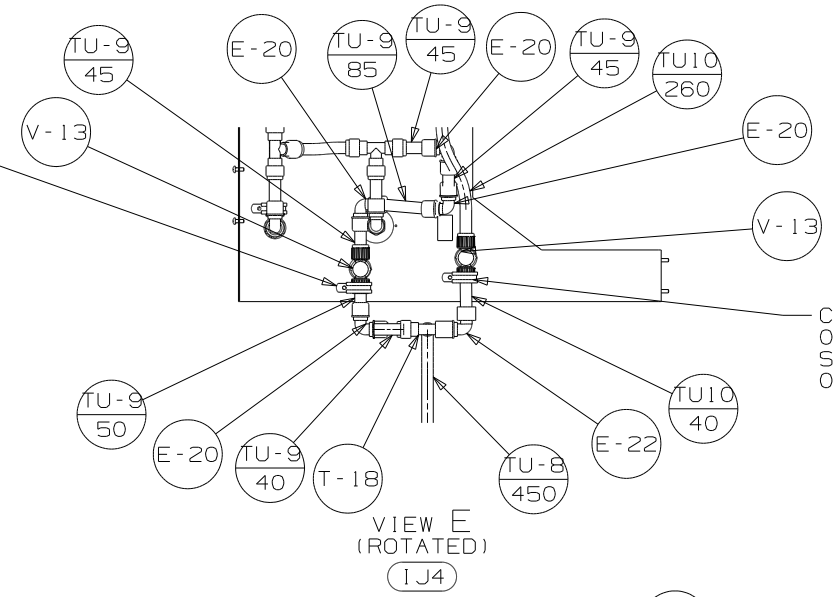
- PLATFORM ASM-WATER HEATER 144200-07-000



SECTION J-J

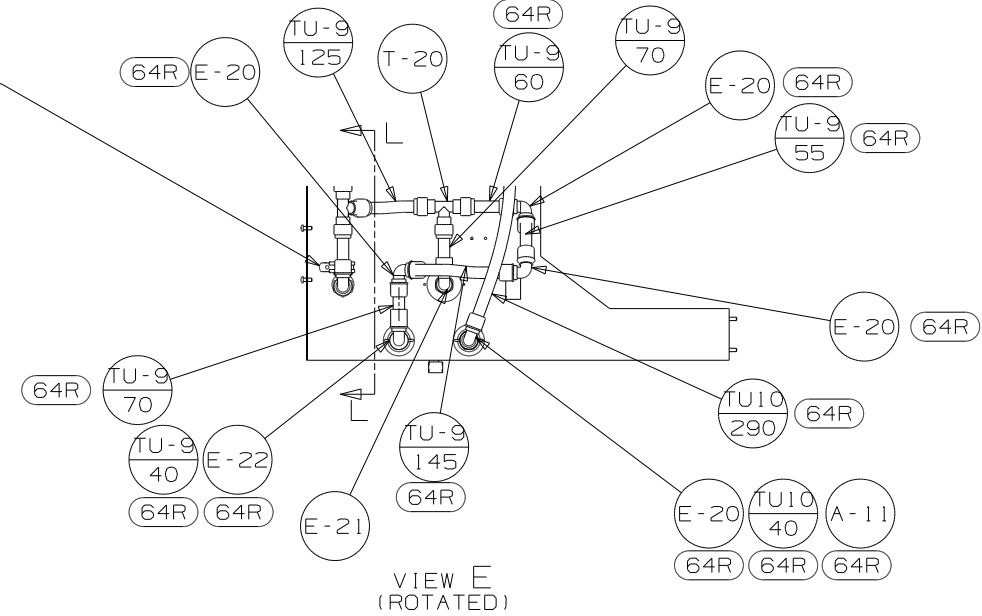
FIRST USED	11 524K
TITLE:	DO NOT SCALE DRAWING
TITLE:	WATER SYSTEM INSTL
SHEET 3	PART NO 174443 REV

CLAMP CLOSED
010497-03-000
SCREW
000G67-10-12U



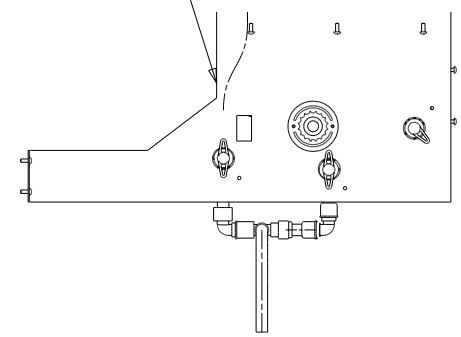
VIEW E
(ROTATED)
IJ4

CLAMP CLOSED
010497-03-000
SCREW
000G67-10-12U

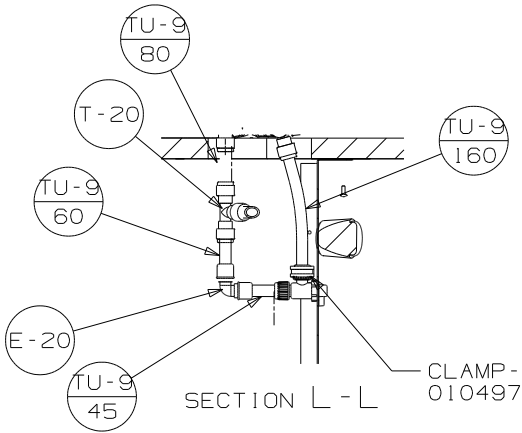


VIEW E
(ROTATED)

PANEL - SERVICE CENTER
151706-08-CHT IJ4
SCREW
000G39-10-08U (7)

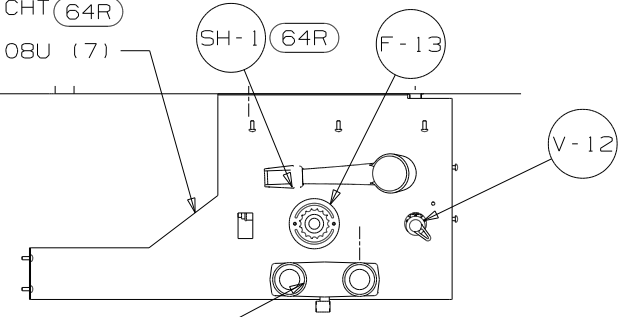


VIEW D
IJ4



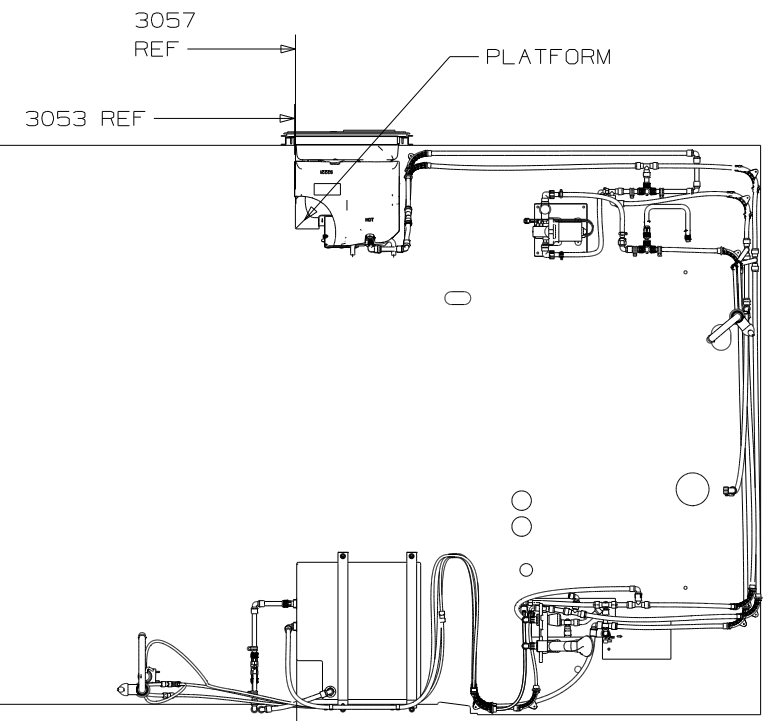
SECTION L - L

PANEL - SERVICE CENTER
151706-09-CHT 64R
SCREW
000G39-10-08U (7)



VIEW D

DATUM



FIRST USED	11 524K
TITLE	DO NOT SCALE DRAWING
TITLE	WATER SYSTEM INSTL
SHEET 4	PART NO 174443 REV