

FRONT  
OF  
COACH

- (1B1) CODES/STANDARDS-USA
- (265) CODES/STDS-CSA/CMVSS
- (23T) DRAINAGE SYSTEM-HEATED
- (1JD) DRAINAGE SYSTEM-HEATED-W/O
- (464) TOILET

- NOTES:
8. PREP THE SURFACE PER MANUFACTURERS INSTRUCTIONS BEFORE APPLYING THE HEATING PAD.
  7. USE SMOOTH PLUMBERS PUTTY 167459-01-000 TO SEAL STRAINER (.2 PER STAINER)
  6. VENT PIPE MUST PROJECT 51 MIN AND 64 MAX ABOVE ROOF FOR PROPER FIT AND FUNCTION.
  5. SEAL AROUND SHOWER WITH SILICONE.
  4. SECURE VENT PIPE TO FLOOR WITH CLAMP 062401-02-000 (2), SCREW 000667-10-12B (2), BRACKET 136878-01-CHT (2).
  3. ALL PIPE AND FITTINGS TO BE ASSEMBLED WITH SOLVENT 4020-01-000 (USA), 4020-02-000 (CAN)
  2. SLOPE OF TRAP ARM MUST BE 6 PER 305 mm.
  1. SLOPE OF HORIZONTAL PIPING TO BE MIN 3 PER 305 mm.

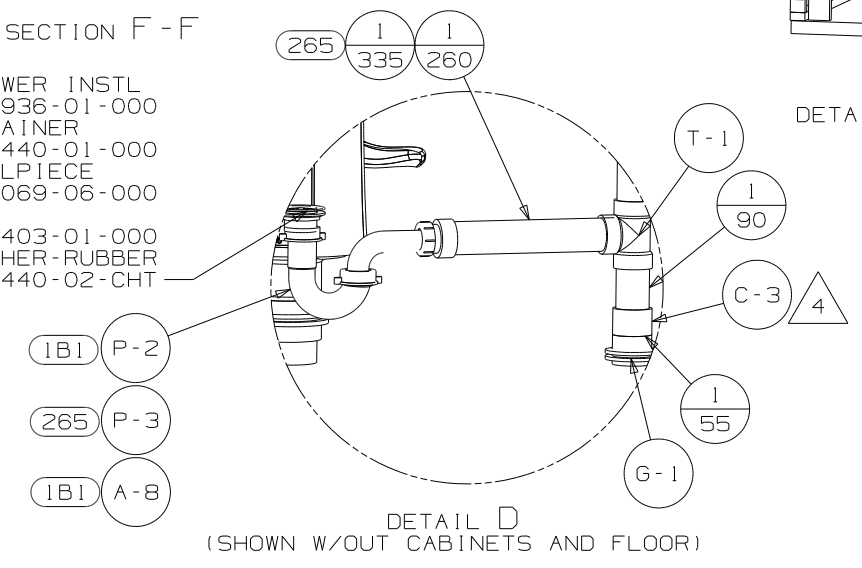
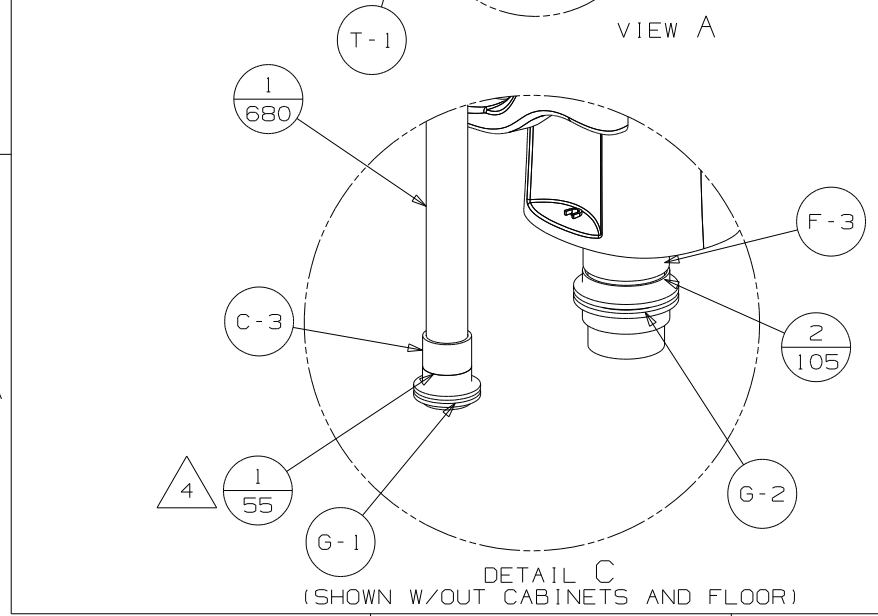
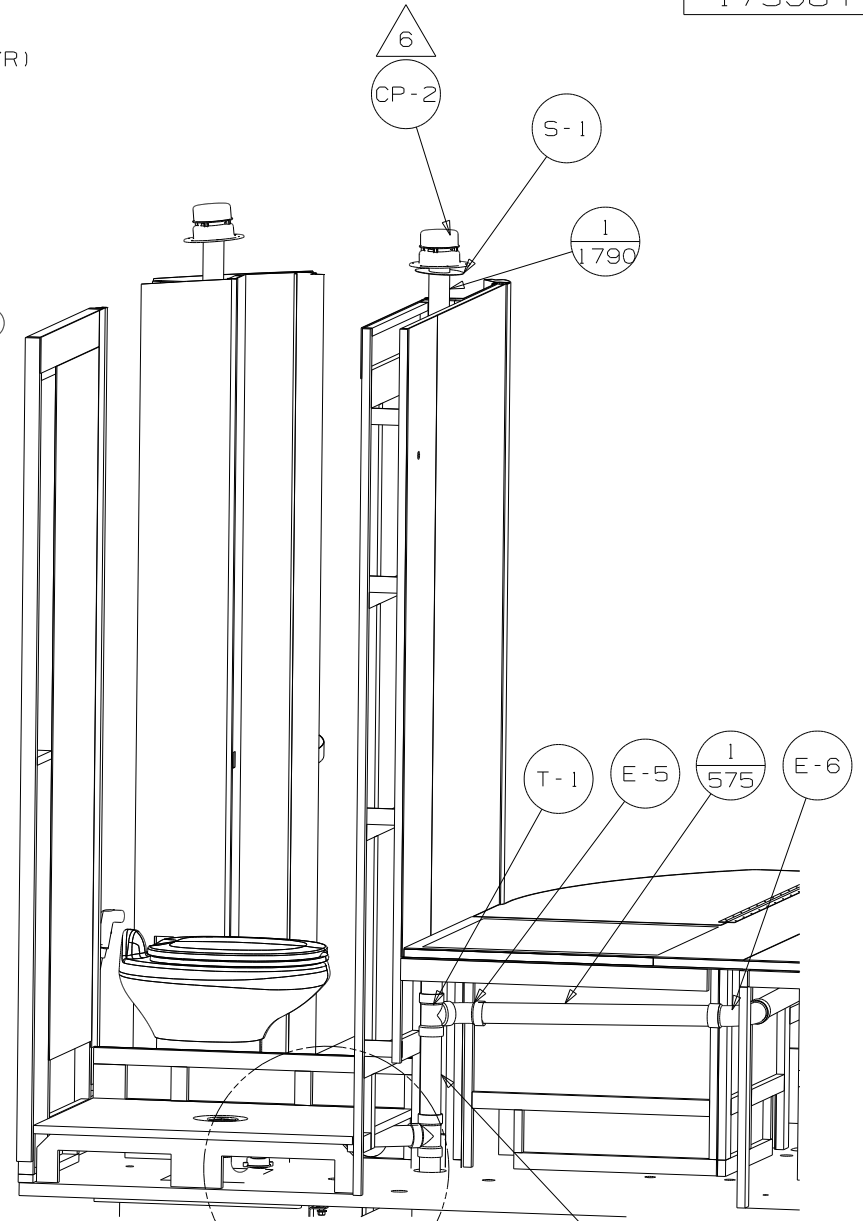
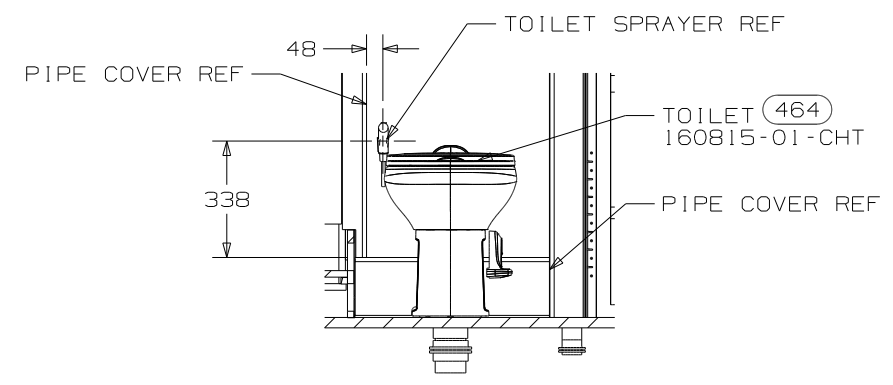
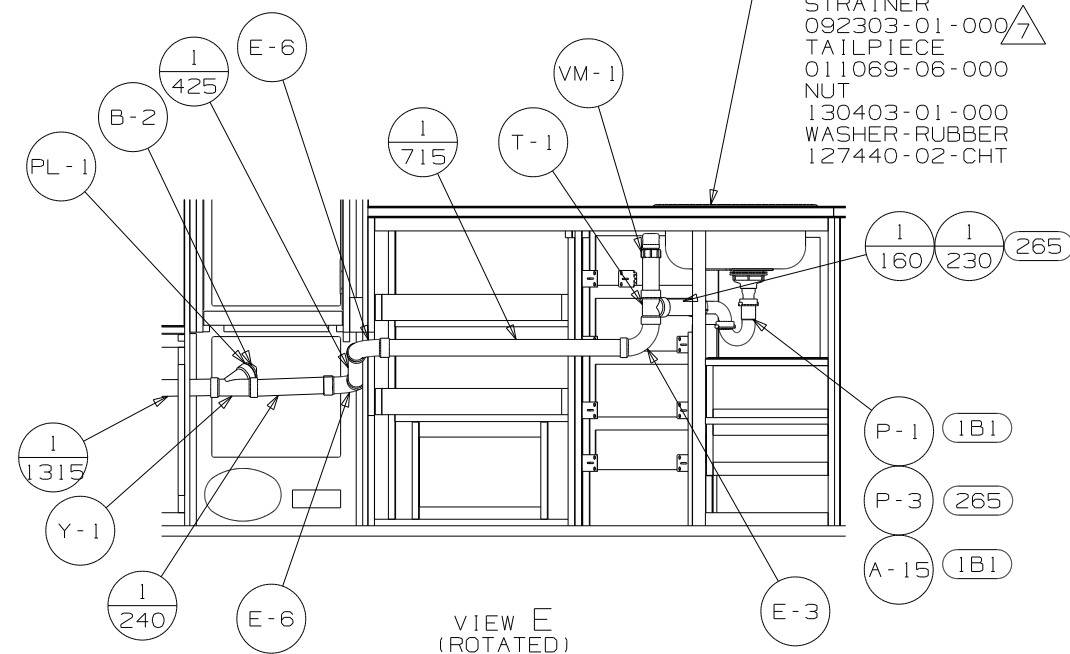
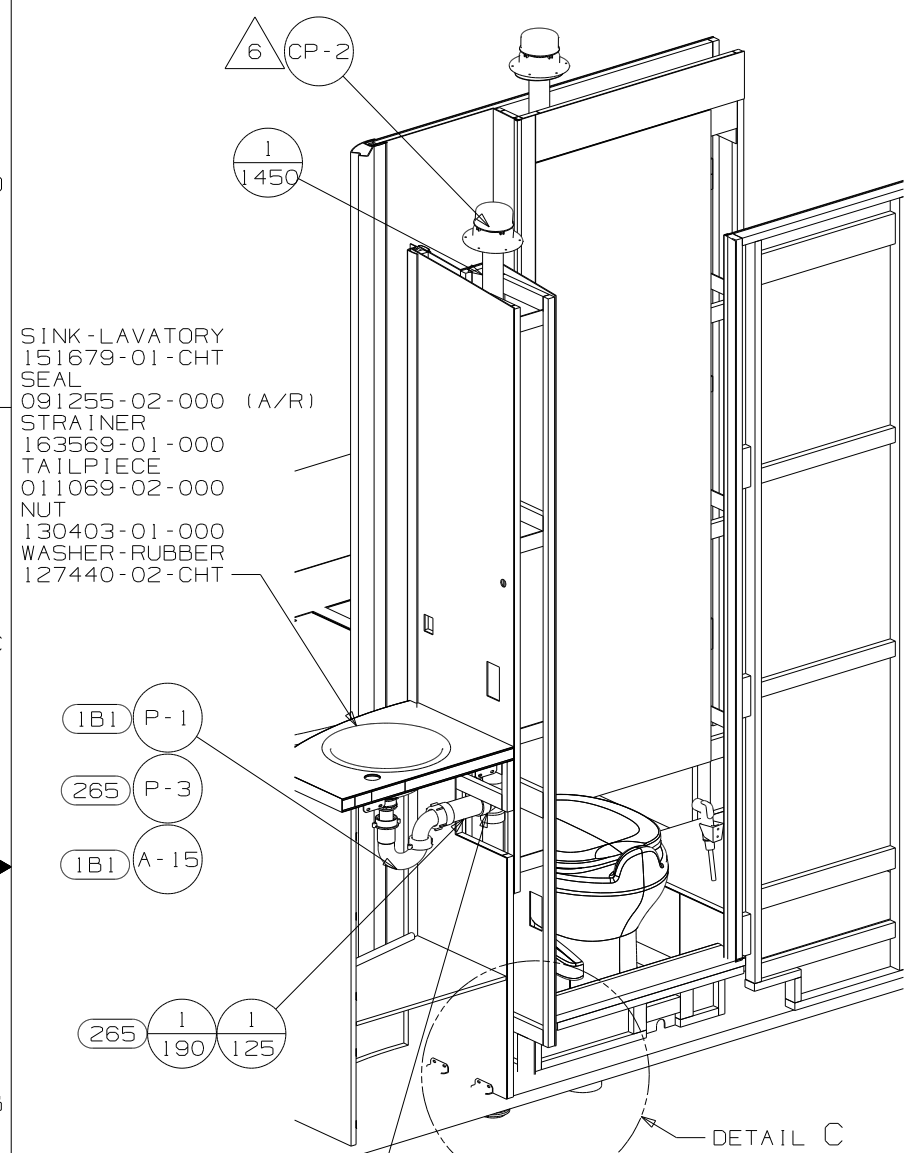
FOR  
DRAINAGE  
CALLOUTS  
SEE DWG NO  
116229-01-000

<b>WINNEBAGO</b>		COPYRIGHT 2011 WINNEBAGO INDUSTRIES, INC.	
DFTR	ORIG. DATE	ALL DIMENSIONS ARE IN MILLIMETERS	
CHKR		11 524J	
P.E.		FIRST USED	
M.E.			
DSNR			
UNSPECIFIED TOLERANCES ARE:		MATERIAL:	
WHOLE DIM (X)	: 3		
ONE-PLACE (X.X)	: 1.5		
TWO-PLACE (X.XX)	: 0.50		
ANGLE	: 1°		
THIRD ANGLE PROJECTION			
DO NOT SCALE DRAWING		REFER TO ES0018 FOR FASTENER TIGHTENING GUIDELINES	
TITLE: DRAINAGE SYSTEM INSTL			
SHEET 1 OF 3	PART NO	175984	REV
REF:	1 1/5/2011		

SINK - LAVATORY  
 151679-01-CHT  
 SEAL  
 091255-02-000 (A/R)  
 STRAINER  
 163569-01-000  
 TAILPIECE  
 011069-02-000  
 NUT  
 130403-01-000  
 WASHER - RUBBER  
 127440-02-CHT

GALLEY SINK  
 165118-01-CHT  
 SEAL  
 091255-02-000 (A/R)  
 STRAINER  
 092303-01-000  
 TAILPIECE  
 011069-06-000  
 NUT  
 130403-01-000  
 WASHER - RUBBER  
 127440-02-CHT

SHOWER INSTL  
 147936-01-000  
 STRAINER  
 066440-01-000  
 TAILPIECE  
 011069-06-000  
 NUT  
 130403-01-000  
 WASHER - RUBBER  
 127440-02-CHT



FIRST USED	11 524J
DO NOT SCALE DRAWING	
TITLE: DRAINAGE SYSTEM INSTL	
SHEET 2	PART NO 175984 REV

INSULATION-DRAINAGE COMPT  
168508-40-000

TANK -HOLDING, BLACK  
152935-03-000

8 (23T) PAD-HEATER  
133972-04-000

TANK -HOLDING  
152934-03-000

INSULATION-DRAINAGE COMPT  
168508-41-000

TOP@14  
SHOWING TANKS AND DRAINS BELOW FLOOR

BOLT  
000C26-06-12U (2)

ANGLE-FORMED, DRAINAGE COMPT  
176669-01-CHT

BOLT  
000C26-06-12U (2)

BRACKET-HOLDING TANK  
151890-04-CHT

ULOCK-RISER  
151437-02-CHT (2)  
BOLT  
000C12-06-20U (2)  
NUT  
000D39-06-00U (2)

STRAP-HLDG TANK MTG  
153147-04-CHT

BOLT  
000C26-06-12U (2)  
NUT  
000D39-06-00U (2)

STRAP-HLDG TANK  
153148-06-CHT

STRAP-HLDG TANK  
153147-05-CHT

STRAP-HLDG TANK MTG  
153148-01-CHT

PAD-HEATER  
133972-04-000 (23T) 8

PAD-HEATER  
133972-03-000 (23T)

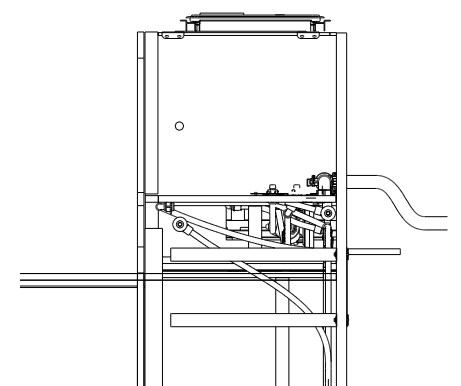
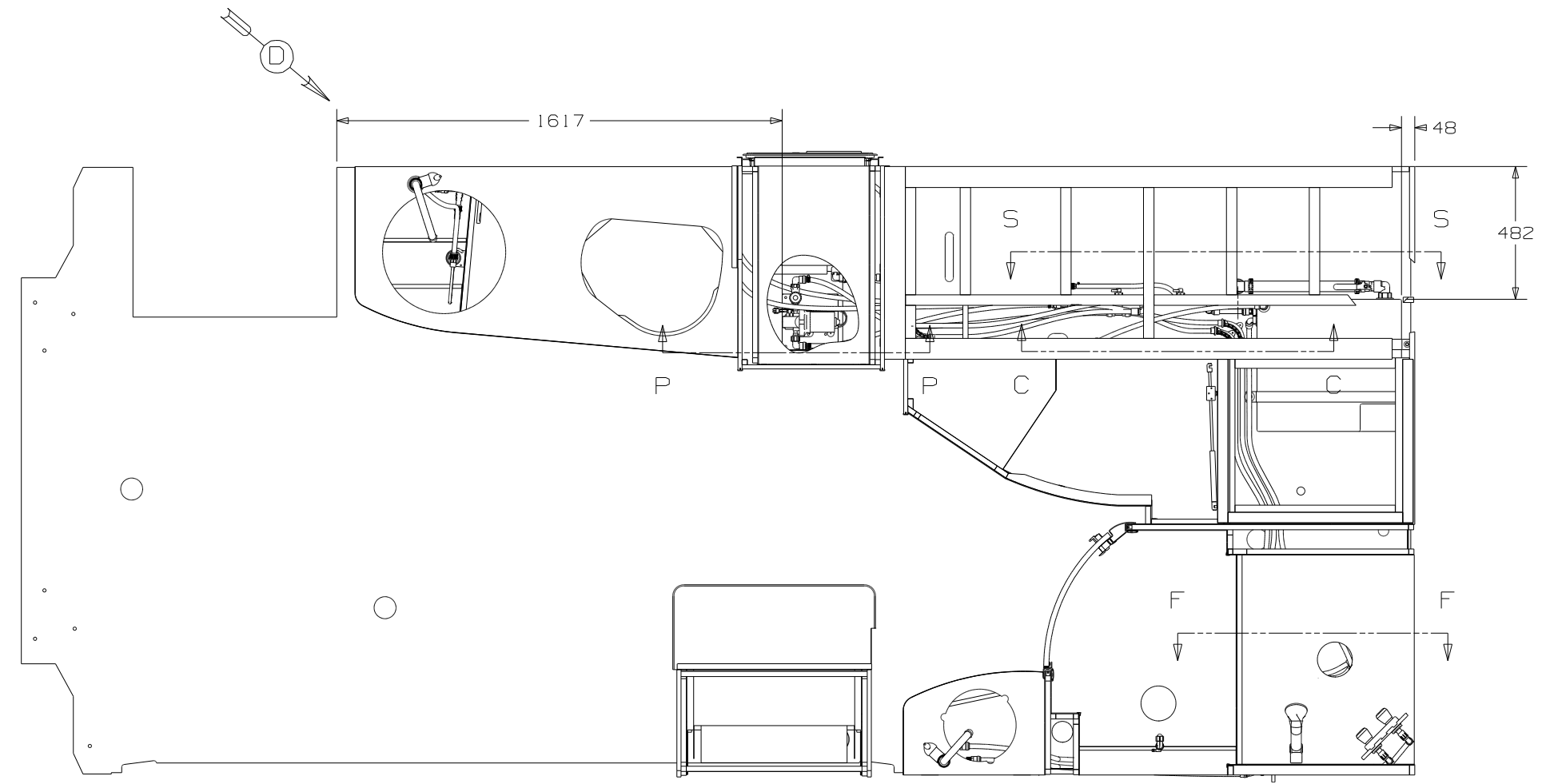
BRACKET-HOLDING TANK  
151890-05-CHT  
NUT  
000D39-08-00T (2)

A-2  
CP-1  
H-1

50  
180  
50  
160  
N-3  
C-2  
2/350  
E-11  
V-12  
G

VIEW G

FIRST USED	11 524J
TITLE	DO NOT SCALE DRAWING
TITLE	DRAINAGE SYSTEM INSTL
SHEET 3	PART NO 175984 REV
	1 1/5/2011



- 11 MOUNT TO COACH FLOOR PRIOR TO INSTALLING FLOOR ON CHASSIS.
  - 10 TURN FAUCET HANDLE TO AVOID INTERFERENCE WITH WINDOW SHADE.
  - 9 INSTALL BETWEEN MOUNTING PLATE & RETAINING NUTS.
  - 8 ADD PIPE WRAP INSULATION (LADDER SCRAP) 110157-02-000.
  - 7 INSTALL CONNECTOR WITH TAPERED END AWAY FROM FAUCET.
  - 6 ADD TEFLON TAPE 10405-03-000.
  - 5 ADD TEFLON TAPE 10405-02-000.
  - 4 ADD TEFLON TAPE 10405-01-000.
3. ALL TUBING TO BE SECURED AT 1200 INTERVALS MAXIMUM WITH CLAMP 10495-01-000 AND SCREW G67-10-12B OR EQUIVALENT.
  2. TUBING TO BE INSTALLED WITH SUFFICIENT SLOPE TO PROVIDE DRAINAGE TO NEAREST VALVE.
  1. PLASTIC FITTINGS TO BE SEALED WITH SEALANT 84456-01-000.

- 53E WATER SYS WINTERIZATION PKG
- 53B WTR HTR-6 GAL ELEC/LP/GAS
- 26B WATER PURIFIER
- 501 WATER PURIFIER WITHOUT
- 53F WATER HEATER-ELEC, IGNITION
- 64R EXTERIOR WASH STATION
- 1J4 EXT WASH STATION-WITHOUT

<b>WINNEBAGO</b>		COPYRIGHT 2010 WINNEBAGO INDUSTRIES, INC.	
DFTR	ORIG. DATE	ALL DIMENSIONS ARE IN MILLIMETERS	
CHKR		FIRST USED	
P.E.		11 524J	
M.E.		UNSPECIFIED TOLERANCES ARE:	
DSNR		MATERIAL:	
		WHOLE DIM (X)	: 3
		ONE-PLACE (X.X)	: 1.5
		TWO-PLACE (X.XX)	: 0.50
		ANGLE	: 1°
THIRD ANGLE PROJECTION		DO NOT SCALE DRAWING REFER TO ES0018 FOR FASTENER TIGHTENING GUIDELINES	
TITLE:		WATER SYSTEM INSTL	
SHEET 1 OF 5	PART NO	175991	
REF:		10/14/2010	

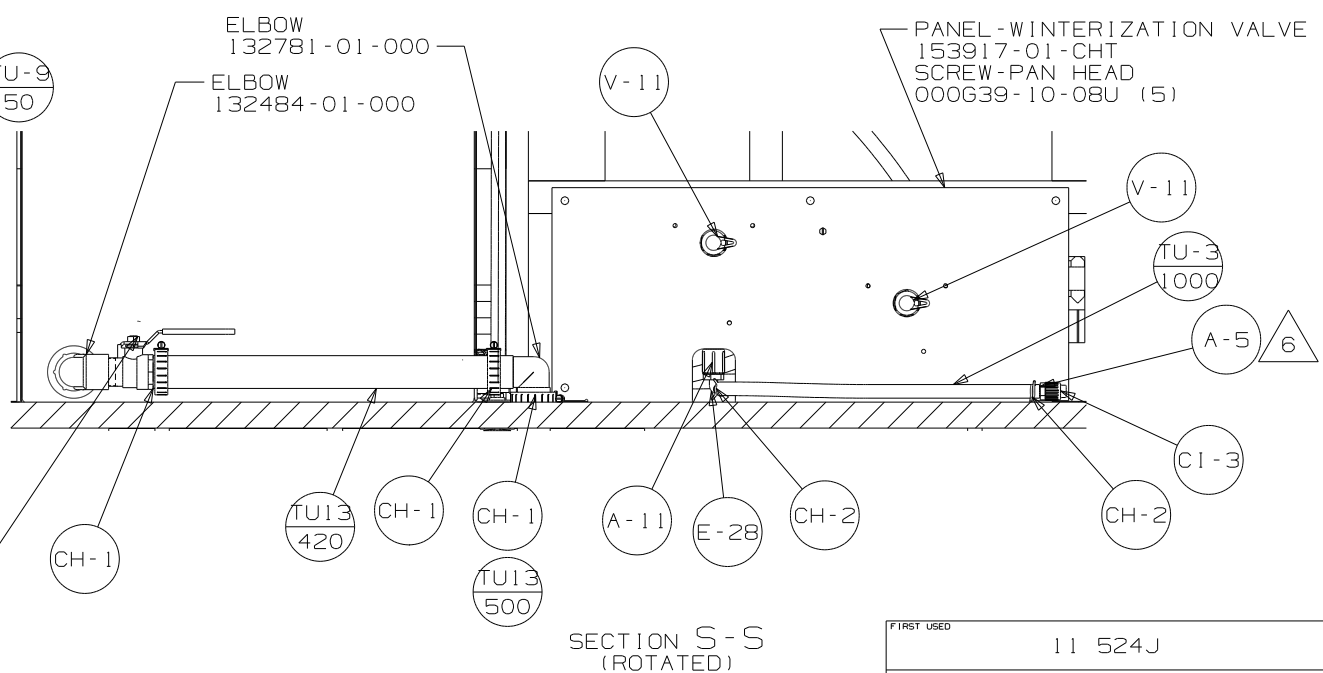
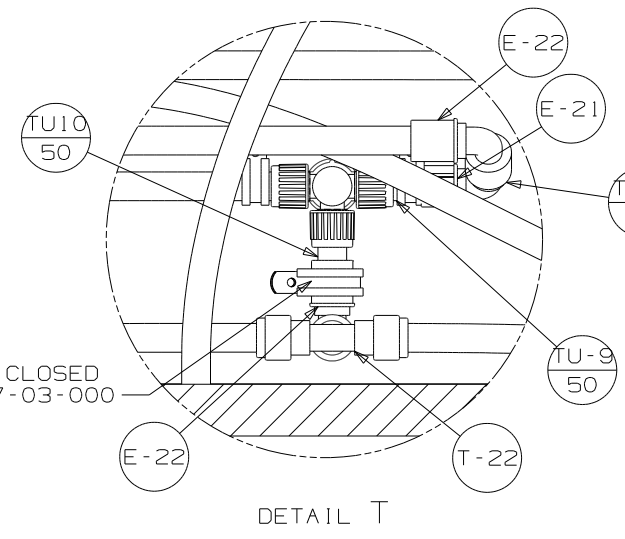
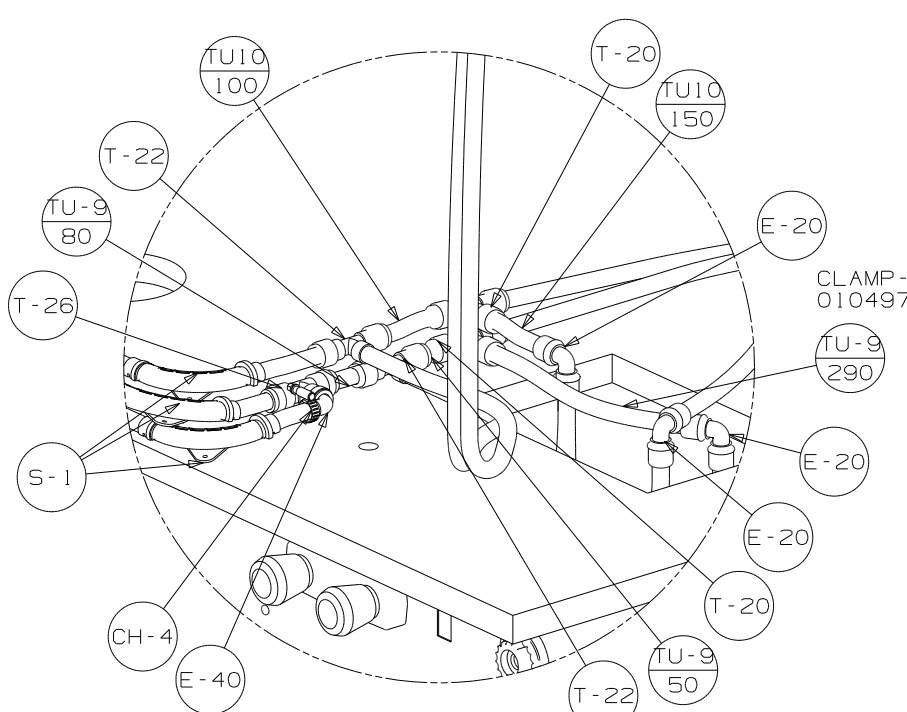
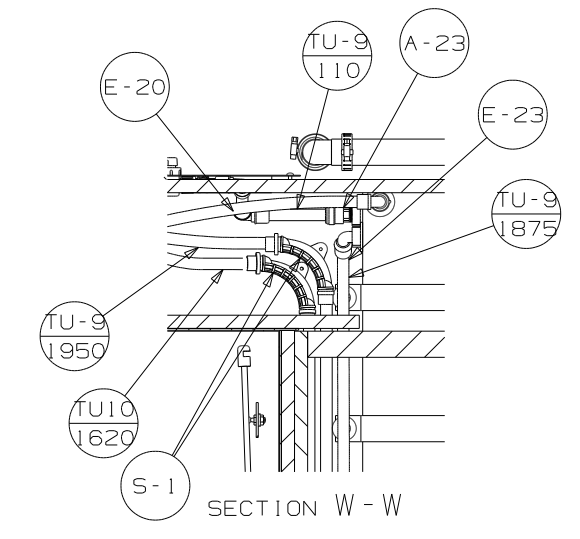
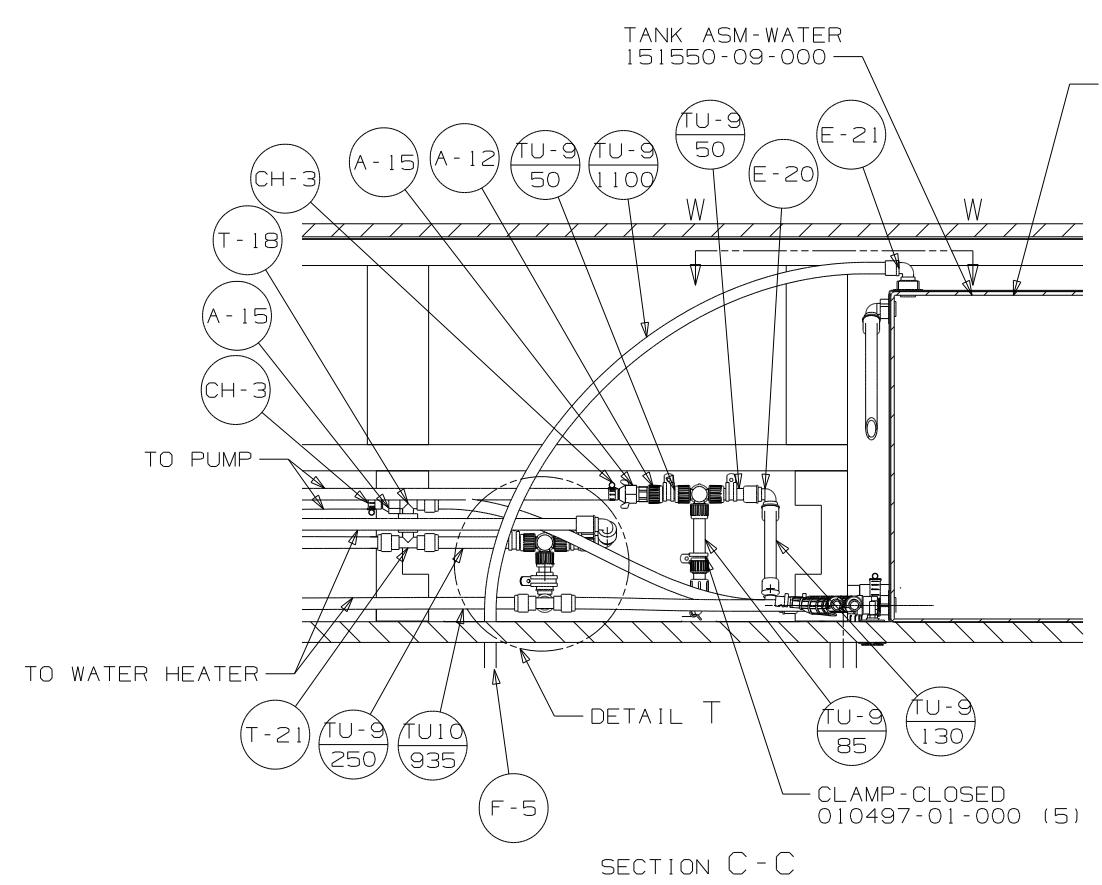
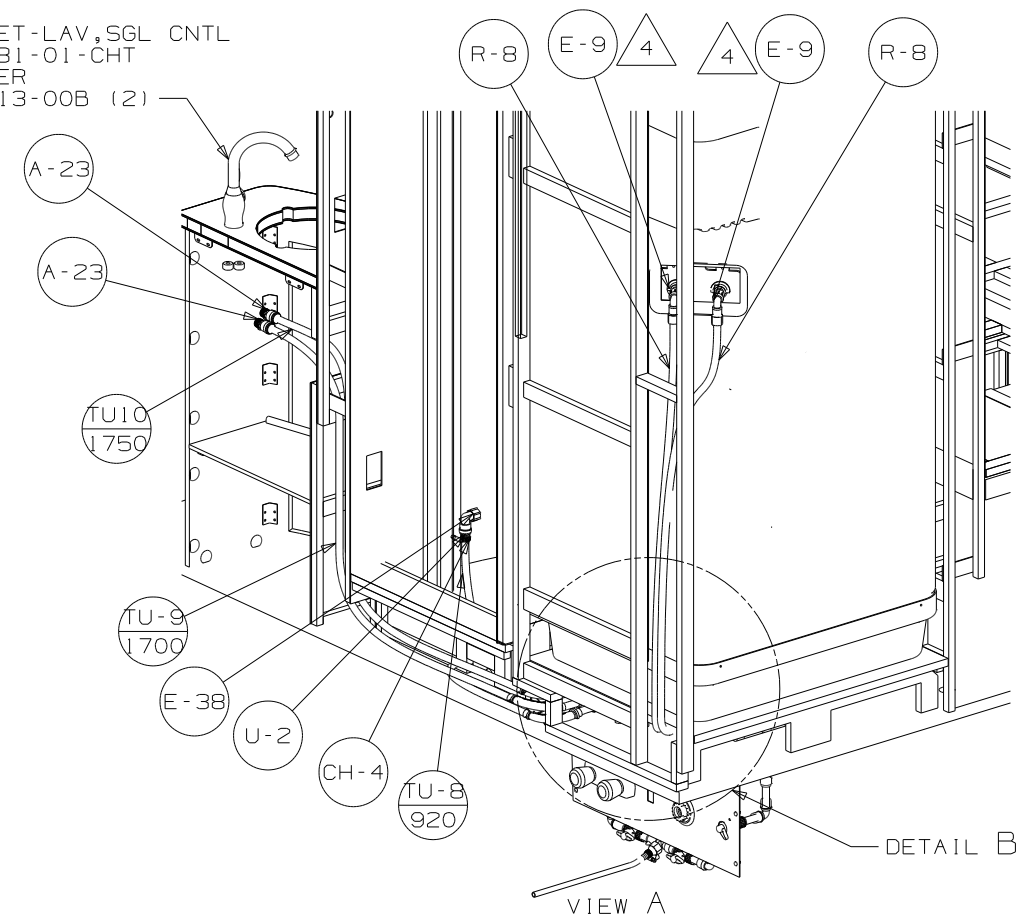
FOR  
WATER  
CALLOUTS  
SEE DWG NO  
116230-01-000

NOTES:

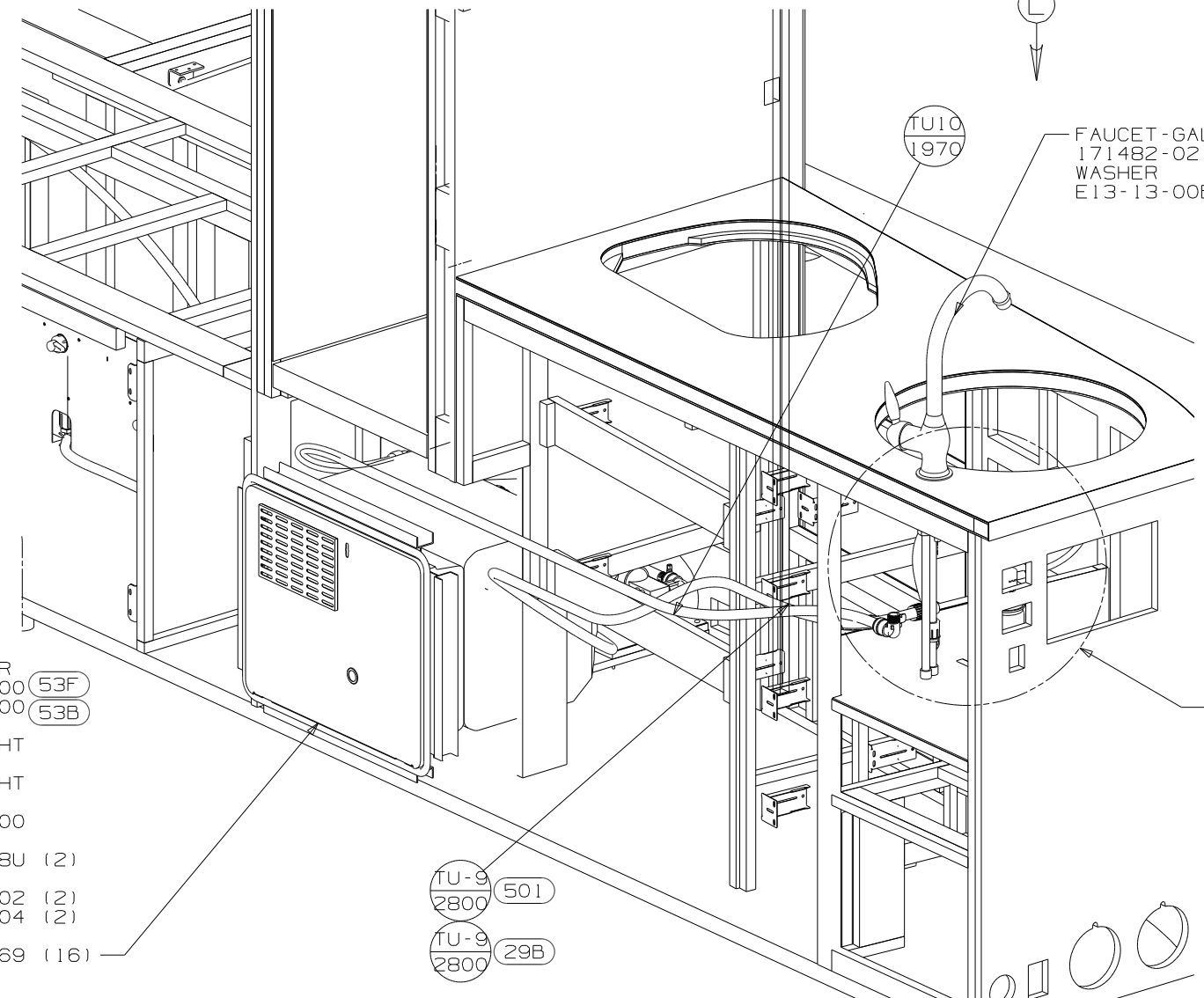
FAUCET-LAV, SGL CNTL  
171481-01-CHT  
WASHER  
E13-13-00B (2)

TANK ASM-WATER  
151550-09-000

STRAP-TANK, WATER  
118994-22-CHT (2)  
SCREW  
000G42-04-24B (2)  
WASHER  
000E13-16-00U (2)  
PLATE ASM  
174241-04-CHT (1)  
SCREW  
000G39-10-08U (2)  
NUT  
000D39-05-00U (2)  
WASHER  
000E13-22-00U (4)



FIRST USED	11 524J		
TITLE:	DO NOT SCALE DRAWING		
	WATER SYSTEM INSTL		
SHEET 2	PART NO	175991	REV

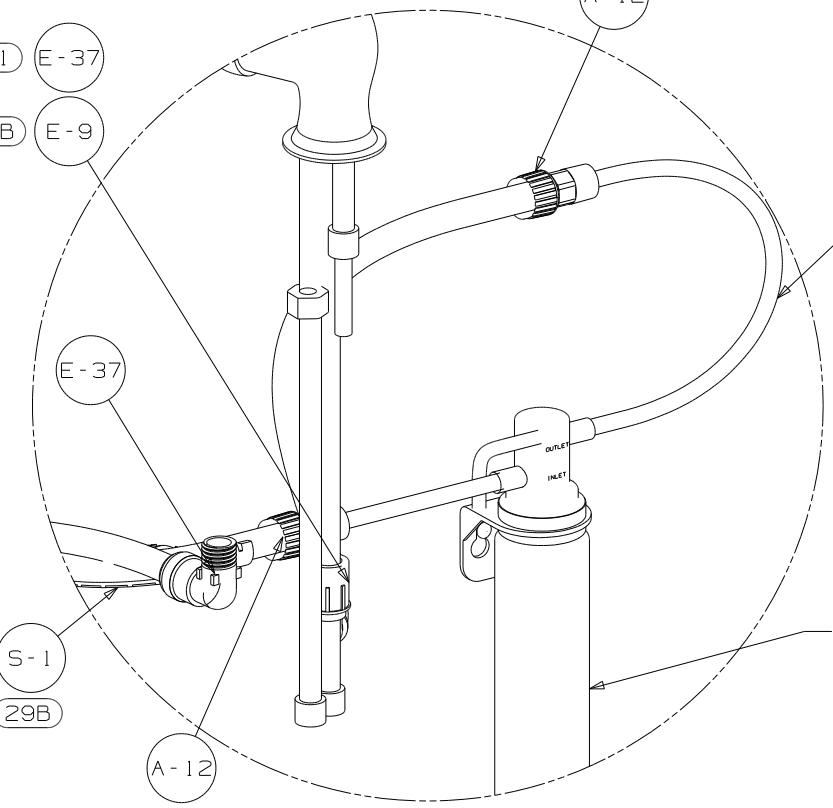


FAUCET - GAL, SGL  
 171482-02-CHT  
 WASHER  
 E13-13-00B (2)

WATER HEATER  
 051391-03-000 (53F)  
 145541-02-000 (53B)  
 DOOR  
 125420-06-CHT  
 FLANGE  
 152239-01-CHT  
 CABLE  
 076767-03-000  
 SCREW  
 000G11-06-08U (2)  
 EXTR  
 165959-51-002 (2)  
 165959-51-004 (2)  
 SCREW  
 000G39-10-169 (16)

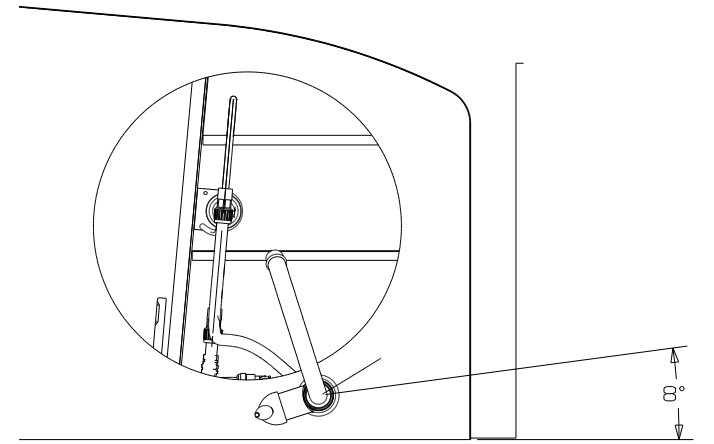
TU-9 2800 (501)  
 TU-9 2800 (29B)

(501) E-37  
 (29B) E-9  
 (S-1)  
 (29B)  
 (A-12)



DETAIL E  
 (SHOWN W/OUT CABINETS)  
 (29B)

FILTER KIT-WATER  
 160946-03-000  
 SCREW  
 000G67-10-12U (2)



VIEW L  
 10

VIEW D

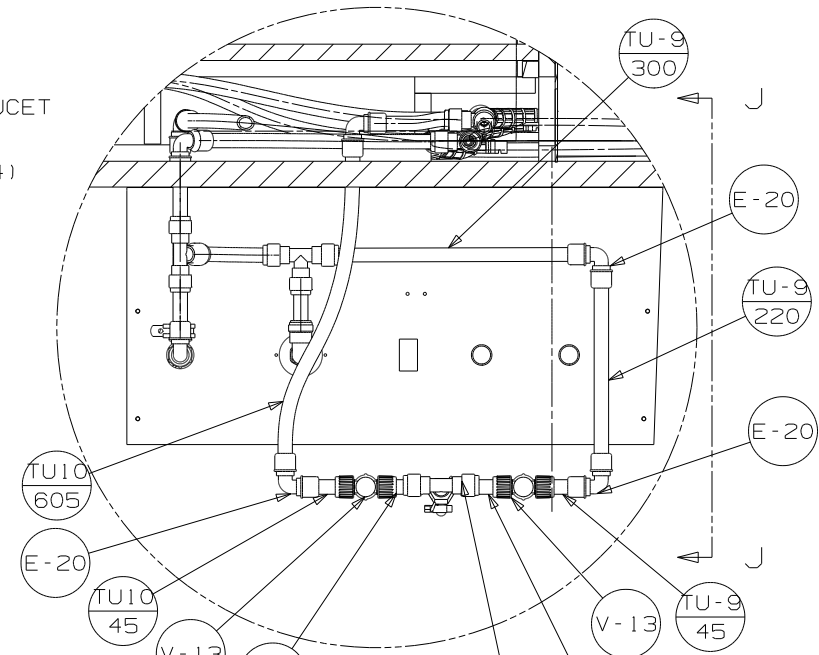
FIRST USED	11 524J		
TITLE:	DO NOT SCALE DRAWING		
	WATER SYSTEM INSTL		
SHEET 3	PART NO	175991	REV

SHOWER SURROUND REF  
SHOWER HEAD-W/HOSE & BRACKET  
176668-01-CHT

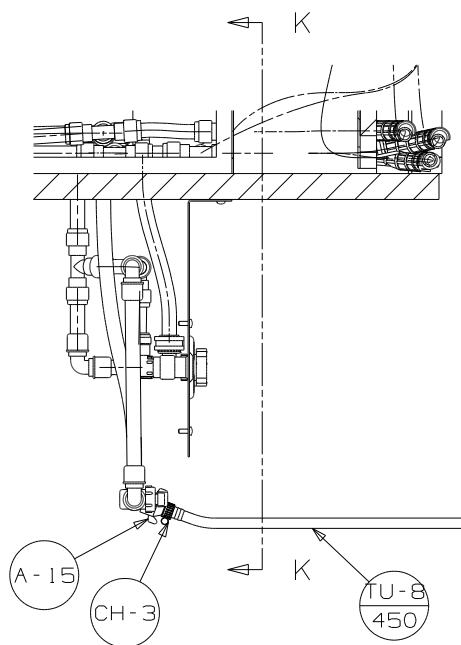
233  
121

PANEL-SHOWER FAUCET  
167738-02-CHT  
NUT-SPEED  
040921-05-000 (4)

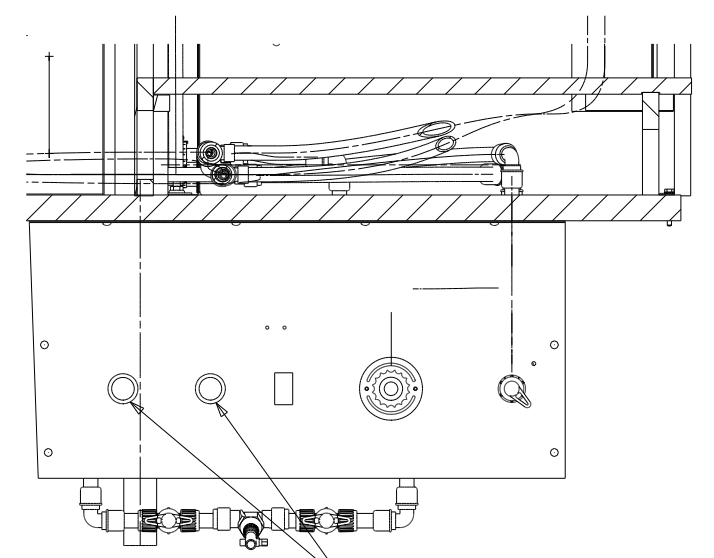
F-2



DETAIL H  
(ROTATED)  
IJ4

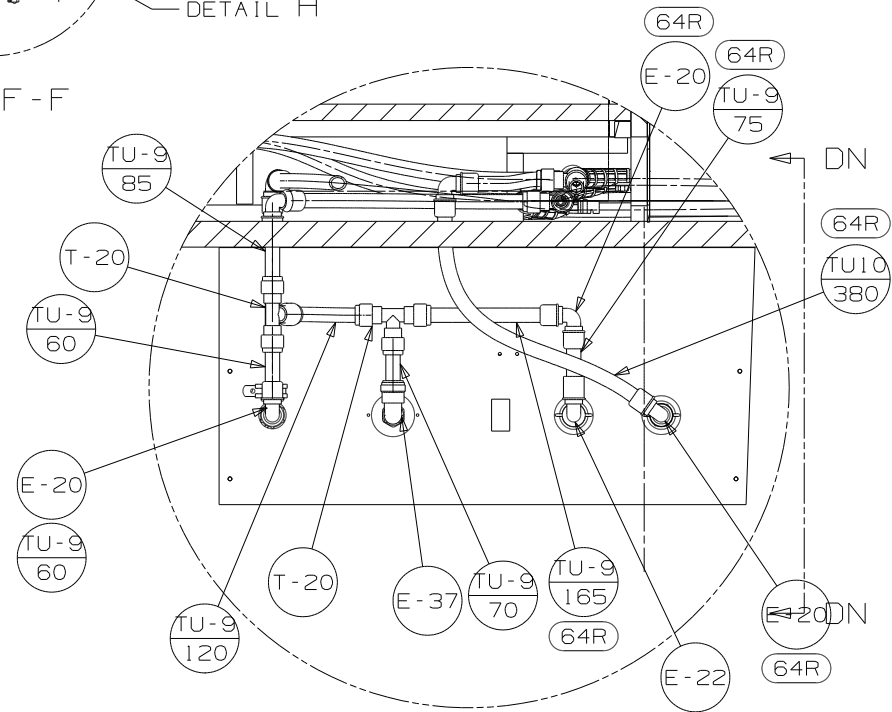


SECTION J - J  
IJ4

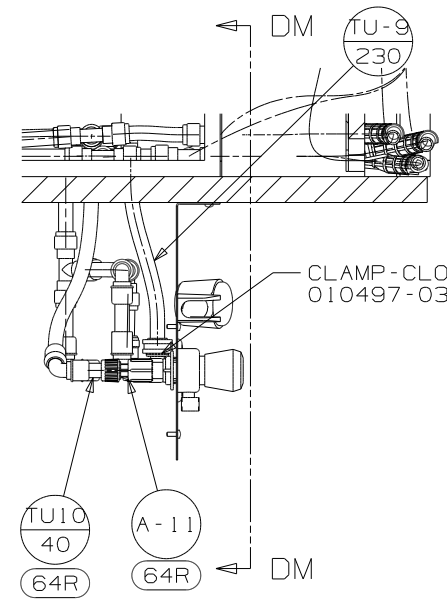


PLUG-PLASTIC  
061420-09-000 (2)  
SECTION K - K  
IJ4

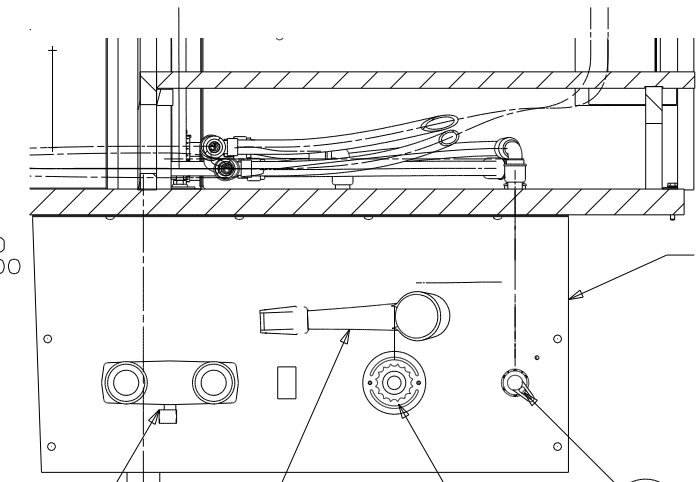
SECTION F - F



DETAIL H  
(ROTATED)



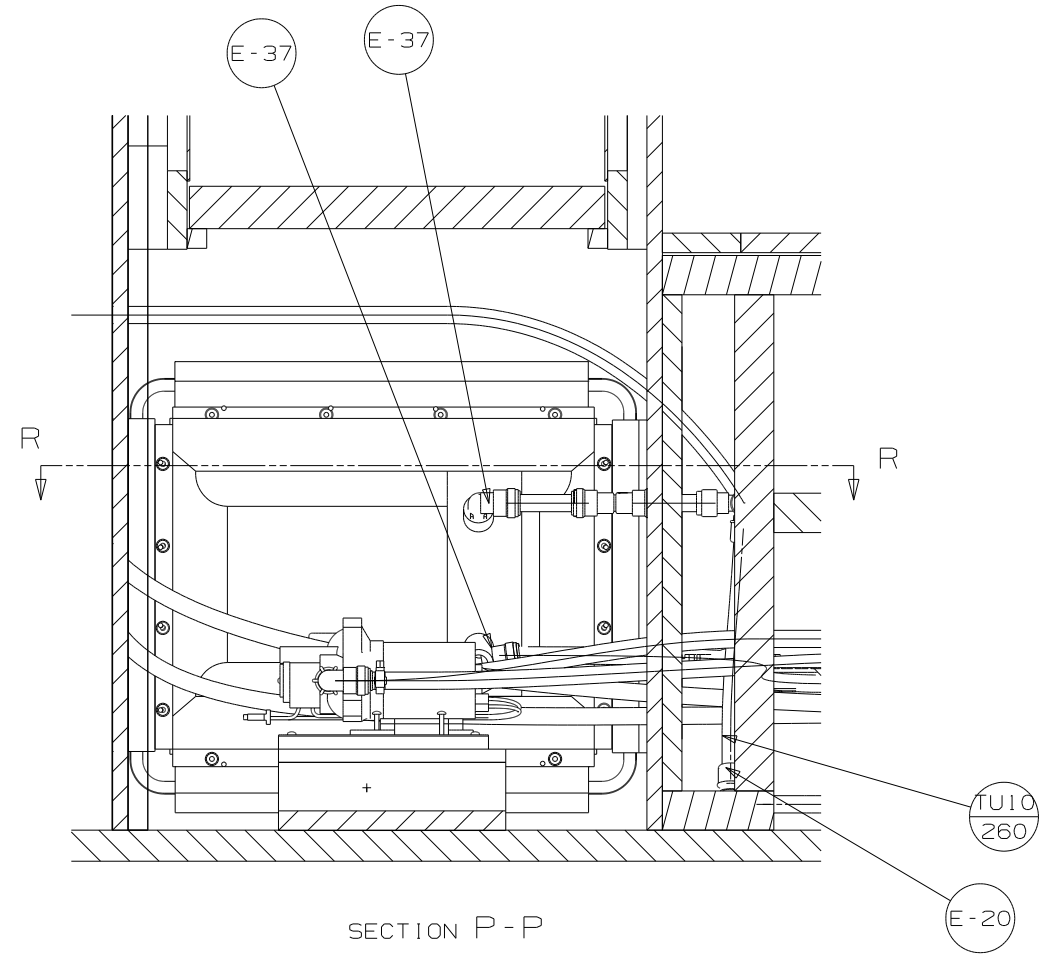
SECTION J - J



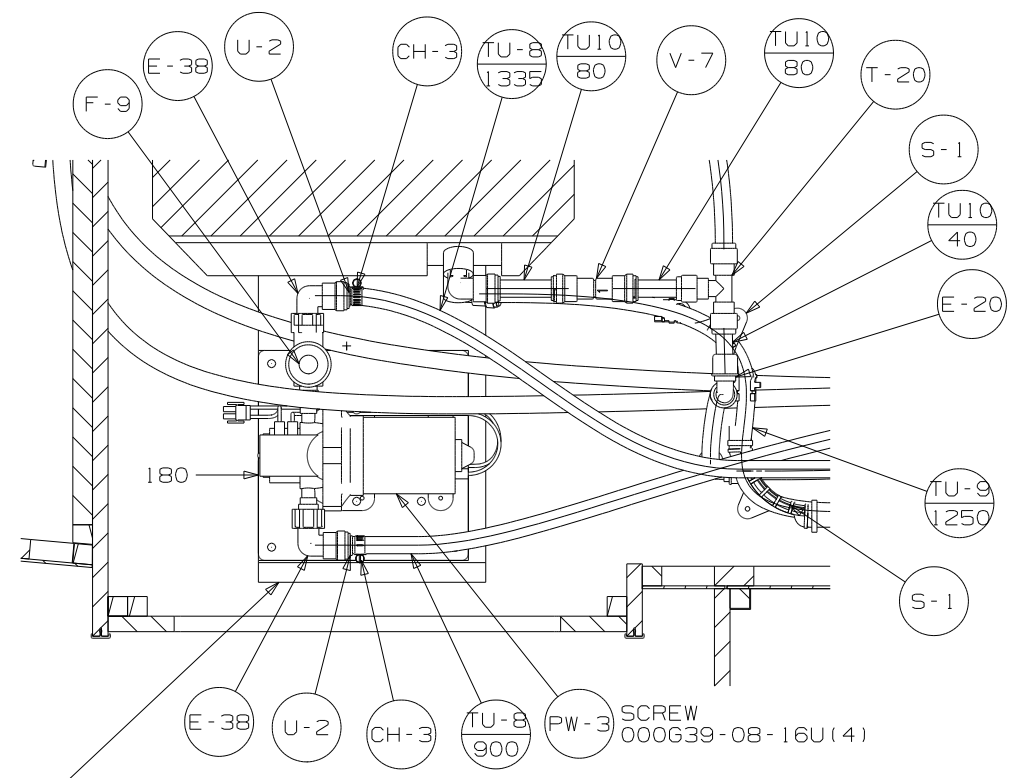
SECTION K - K

PANEL-SERVICE CENTER  
151706-10-CHT  
SCREW-PAN, HEAD  
000639-10-08U (8)

FIRST USED	11 524J
TITLE	DO NOT SCALE DRAWING
TITLE	WATER SYSTEM INSTL
SHEET 4	PART NO 175991 REV



SECTION P-P



SECTION R-R

- PANEL - WATER PUMP
- 149477-02-CHT
- FOAM
- 140364-01-CHT
- SCREW
- 000G39-08-24U (4)
- PLATFORM
- 144200-03-000

FIRST USED	11 524J	
TITLE:	DO NOT SCALE DRAWING	
TITLE:	WATER SYSTEM INSTL	
SHEET 5	PART NO 175991	REV