

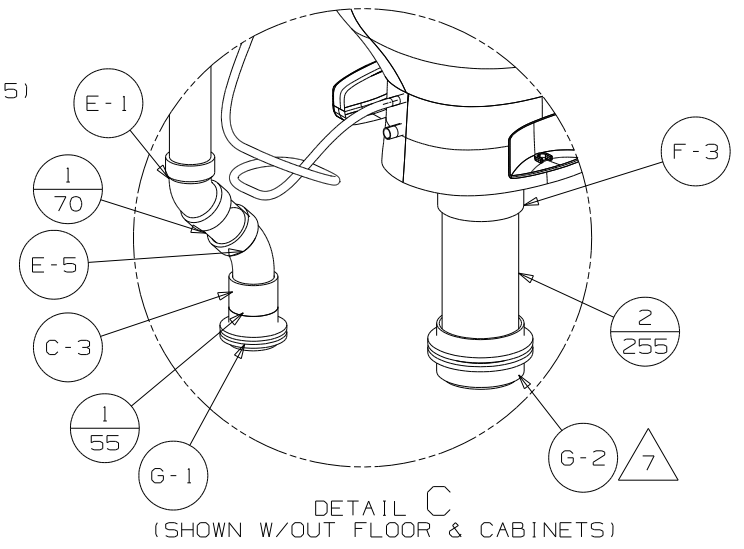
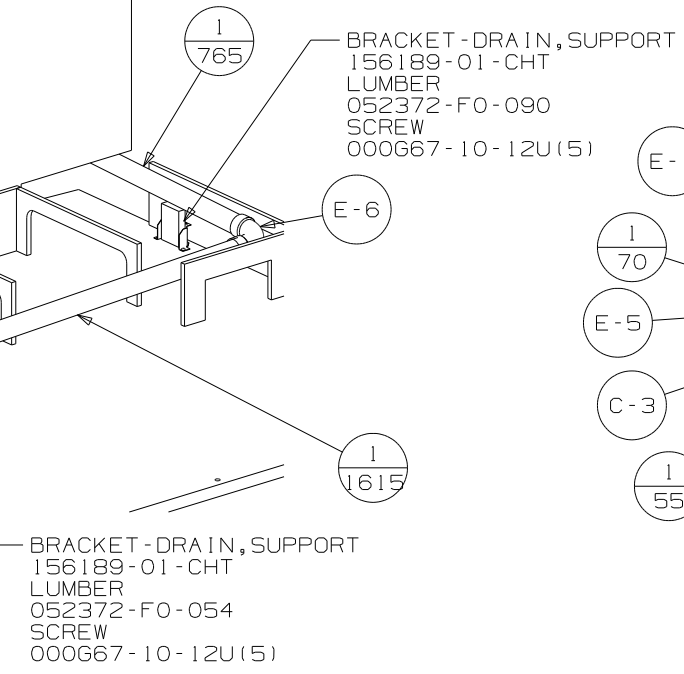
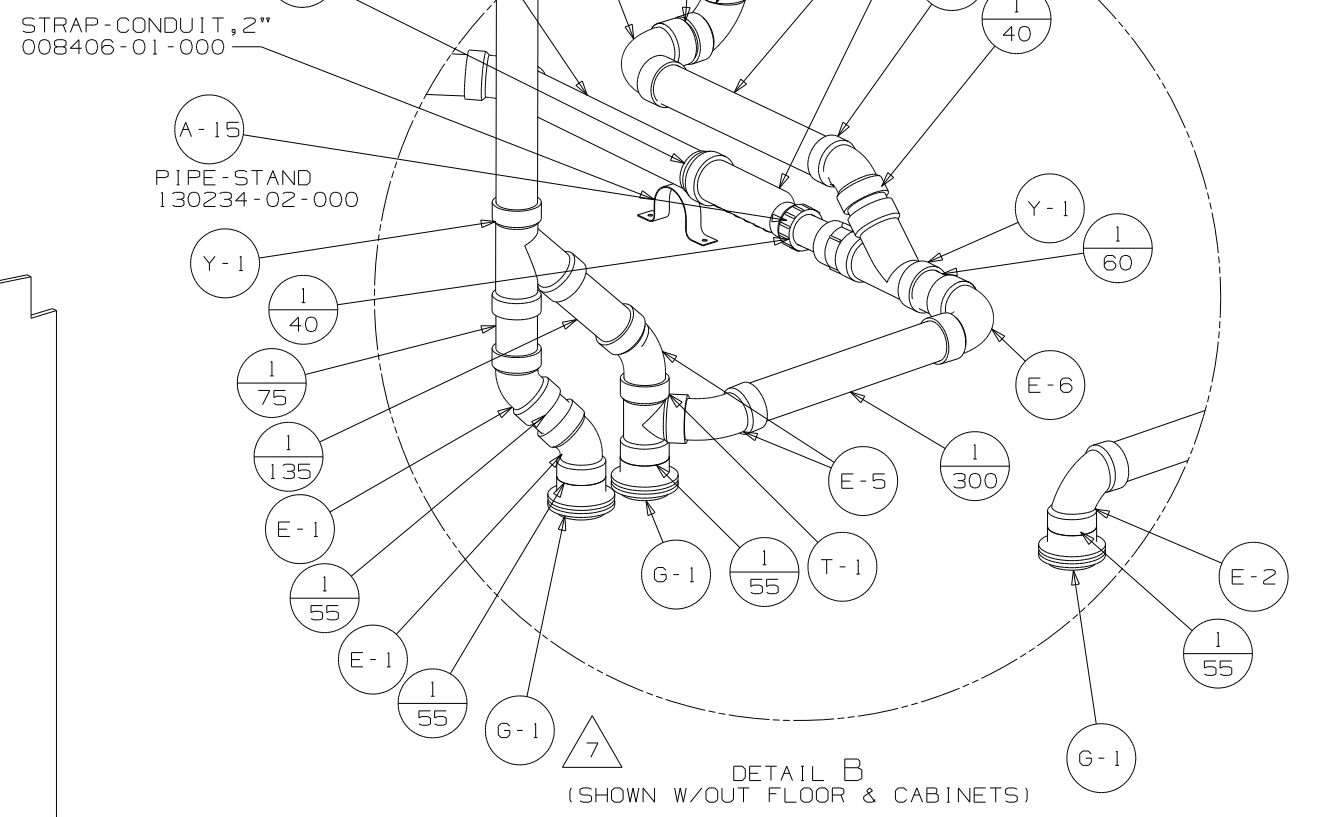
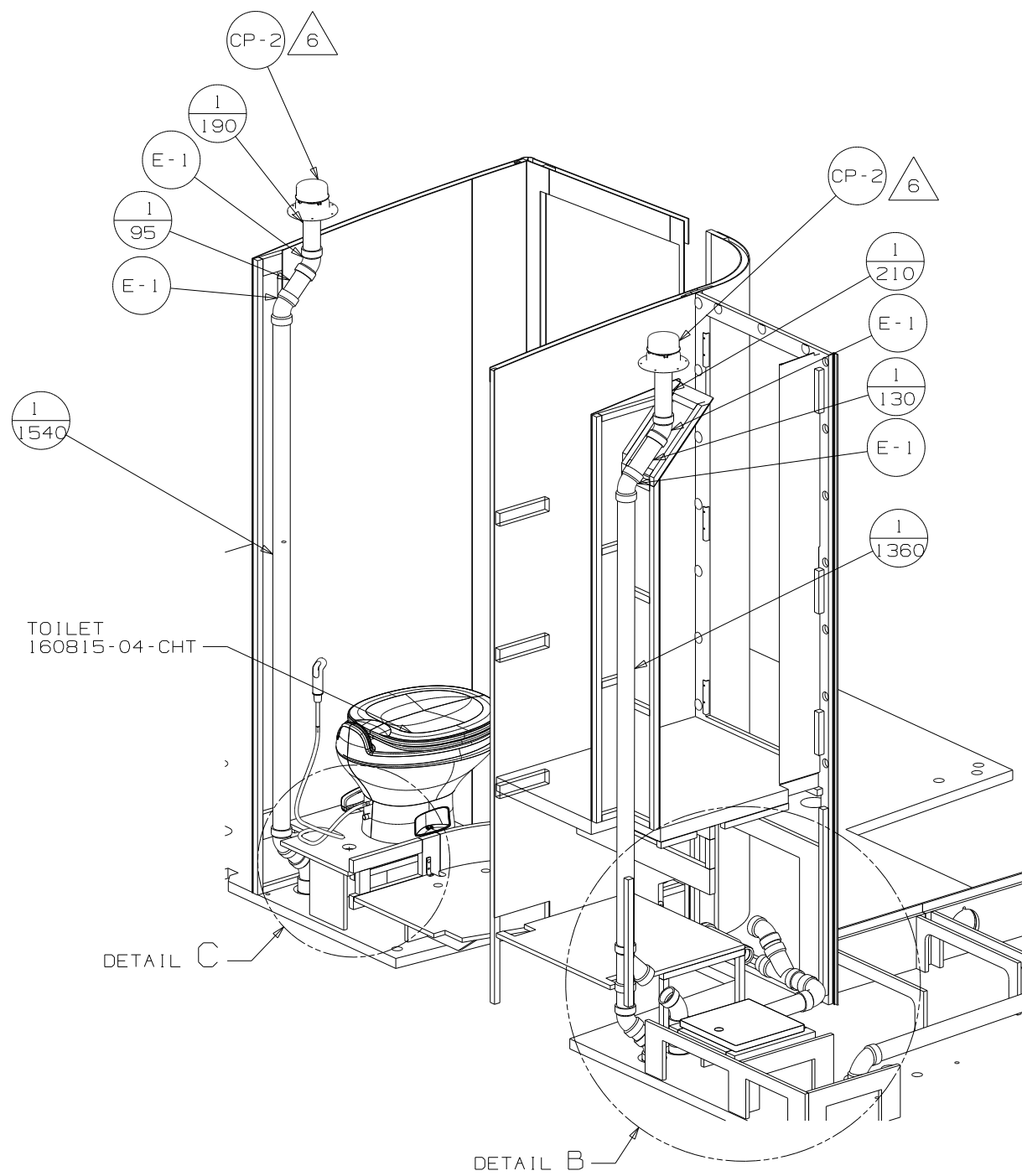
- 10. PREP THE SURFACE PER MANUFACTURERS INSTRUCTIONS BEFORE APPLYING THE HEATING PAD.
- 9. FOLLOW SEWAGE MACERATOR PUMP WINTERIZATION PROCEDURE. EACH PUMP REQUIRES TWO GALLONS OF RV ANTIFREEZE 157665-02-000.
- 8. SECURE DRAINAGE PIPES TO CABINET USING WIRE TIE 108046-02-000, AND SCREW 00067-10-12B AT INTERVAL OF NOT MORE THAN 4 FEET APART.
- 7. SECURE VENT PIPE TO FLOOR WITH CLAMP 062401-02-000 (2), SCREW 00067-10-12B (2), BRACKET 136878-01-CHT (2).
- 6. VENT PIPE MUST PROJECT 51 MIN AND 64 MAX ABOVE ROOF FOR PROPER FIT AND FUNCTION.
- 5. SEAL AROUND SHOWER WITH SILICONE.
- 4. DRILL AND INSTALL AT ASSEMBLY.
- 3. ALL PIPE AND FITTINGS TO BE ASSEMBLED WITH SOLVENT 004020-01-000 (USA), 004020-02-000 (CAN)
- 2. SLOPE OF TRAP ARM MUST BE 6 PER 305 mm.
- 1. SLOPE OF HORIZONTAL PIPING TO BE MINIMUM OF 3 PER 305 mm.

- (B1) CODES/STANDARDS USA
- (265) CODES/STANDARDS-CSA/CMVSS
- (1JD) DRAINAGE SYSTEM-HEATED-W/O
- (23T) DRAINAGE SYSTEM-HEATED

WINNEBAGO		COPYRIGHT 2011 WINNEBAGO INDUSTRIES, INC.	
DFTF	ORIG. DATE	ALL DIMENSIONS ARE IN MILLIMETERS	
CHKR		FIRST USED	
P.E.		11 524G	
M.E.		UNSPECIFIED TOLERANCES ARE:	
DSNR		MATERIAL:	
		WHOLE DIM (X)	: 3
		ONE-PLACE (X.X)	: 1.5
		TWO-PLACE (X.XX)	: 0.50
		ANGLE	: 1°
THIRD ANGLE PROJECTION		DO NOT SCALE DRAWING REFER TO ES0018 FOR FASTENER TIGHTENING GUIDELINES	
TITLE: DRAINAGE SYSTEM INSTL			
SHEET 1 OF 5	PART NO	175421	REV
REF:	1 2/23/2011		

FOR
DRAINAGE
CALLOUTS
SEE DWG NO
116229-01-000

NOTES:

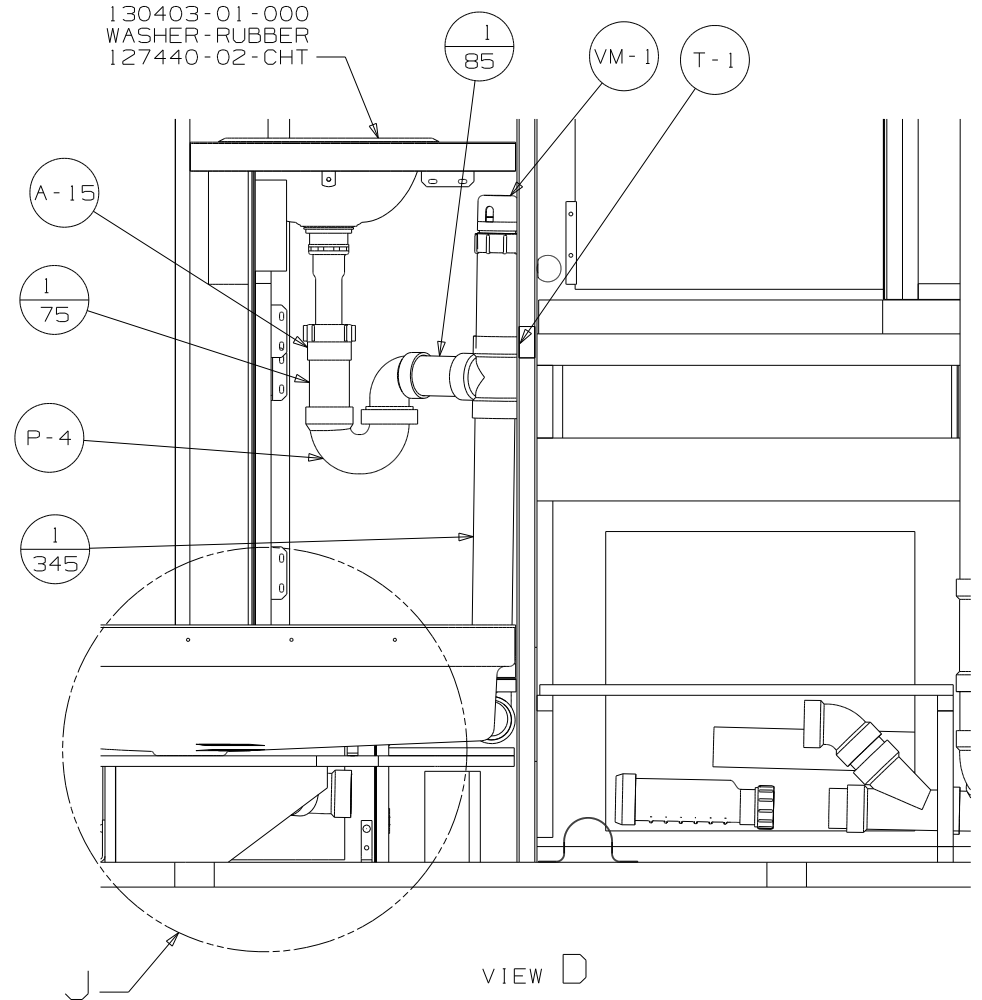


VIEW A

FIRST USED	11 524G		
DO NOT SCALE DRAWING			
TITLE:	DRAINAGE SYSTEM INSTL		
SHEET 2	PART NO	175421	REV

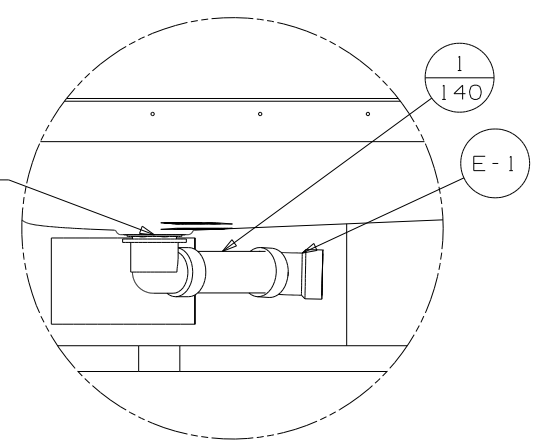
SINK - LAVATORY
 174018-01-CHT
 SEAL
 091255-02-000 (A/R)
 STRAINER
 163569-01-000
 TAILPIECE
 011069-05-000
 NUT
 130403-01-000
 WASHER - RUBBER
 127440-02-CHT

SINK - GALLEY
 165378-01-CHT
 FAUCET
 165378-02-CHT
 STRAINER
 163569-01-000
 TAILPIECE
 011069-02-000

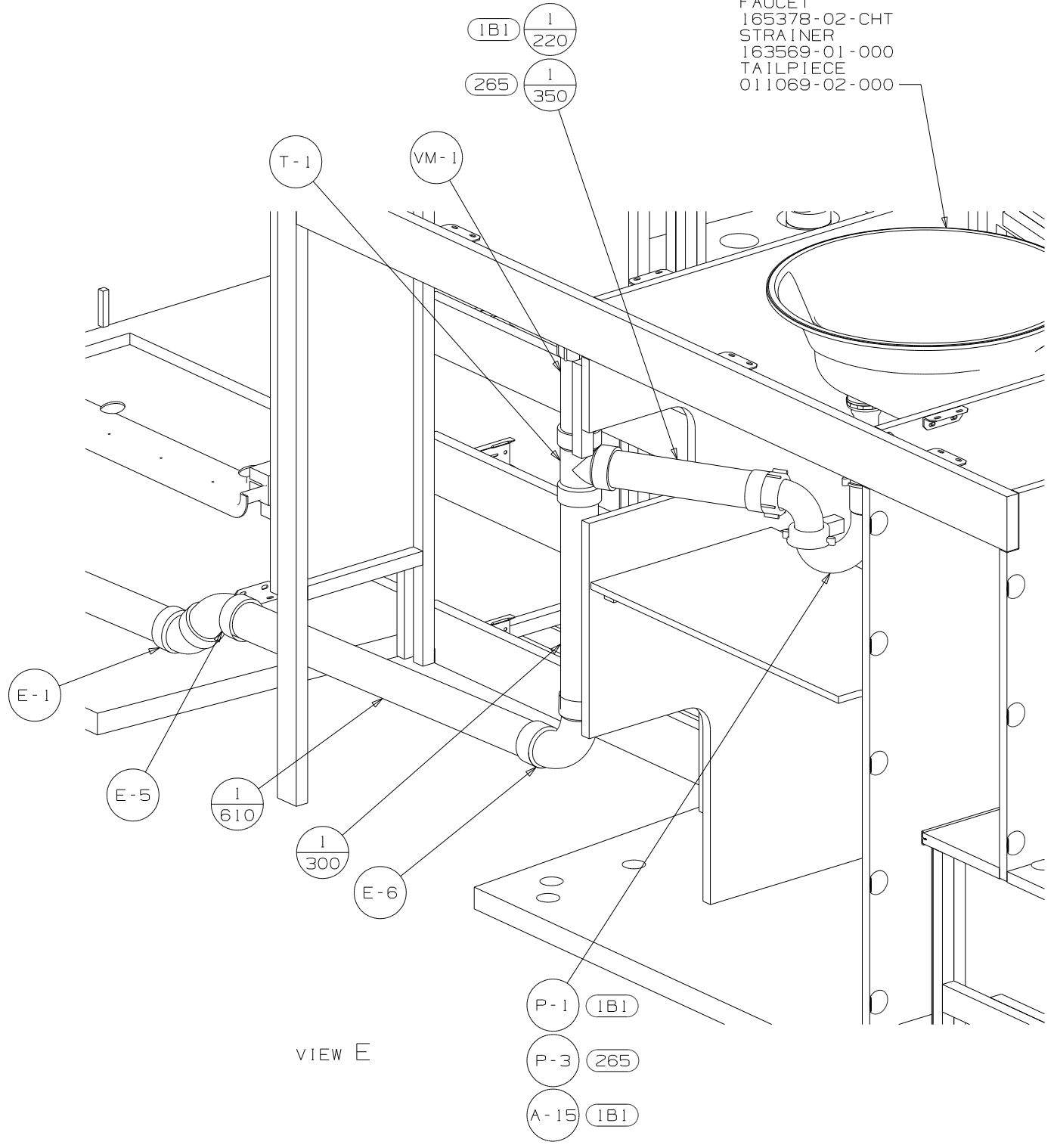


VIEW D

SHOWER INSTL
 174125-02-000
 STRAINER
 066440-01-000
 SEALANT
 084456-01-000
 ELBOW
 131486-01-000

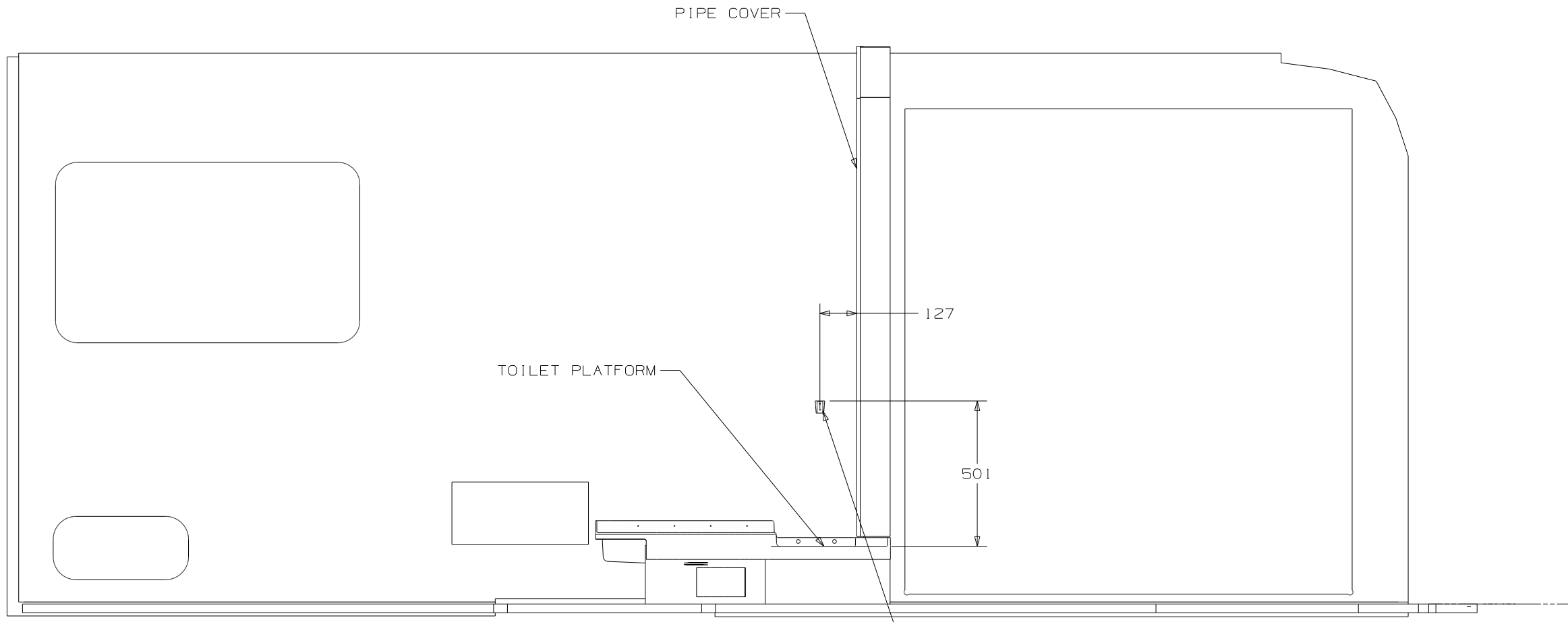


DETAIL J (SHOWN W/OUT CABINETS)

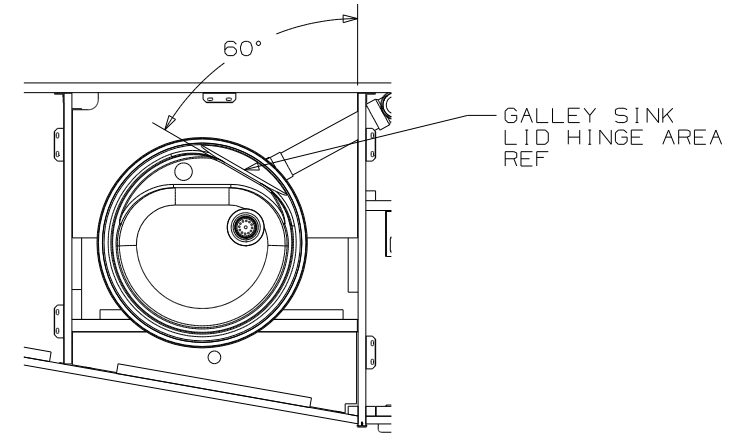


VIEW E

FIRST USED	11 524G		
TITLE	DO NOT SCALE DRAWING		
	DRAINAGE SYSTEM INSTL		
SHEET 3	PART NO	175421	REV

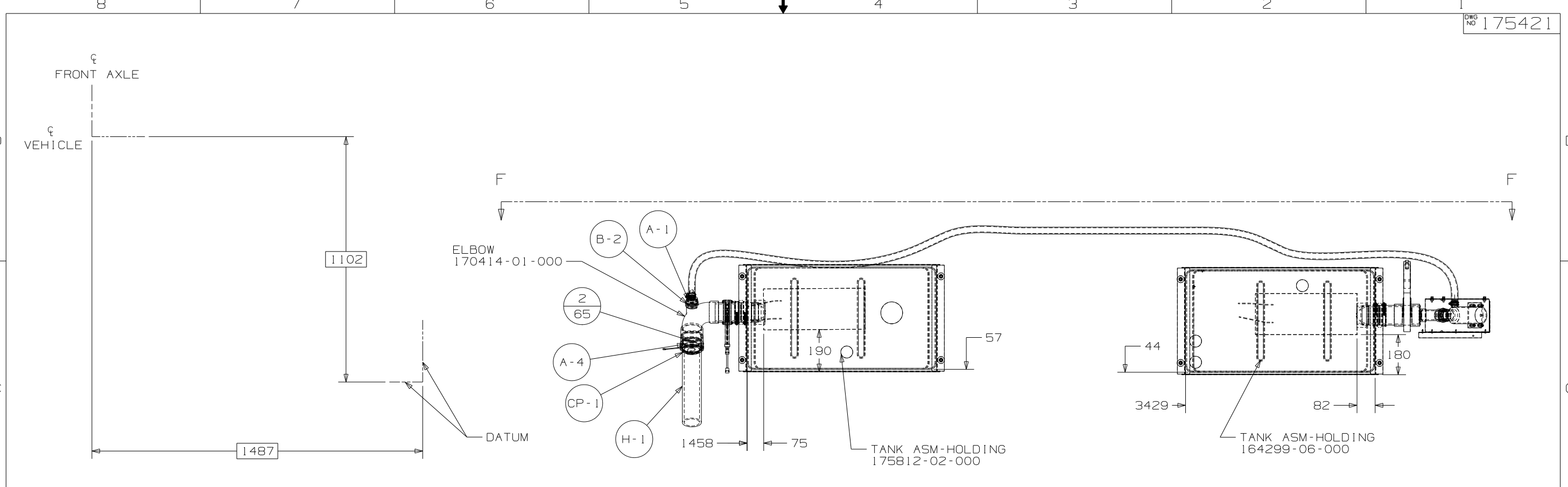


VIEW G (ROTATED)

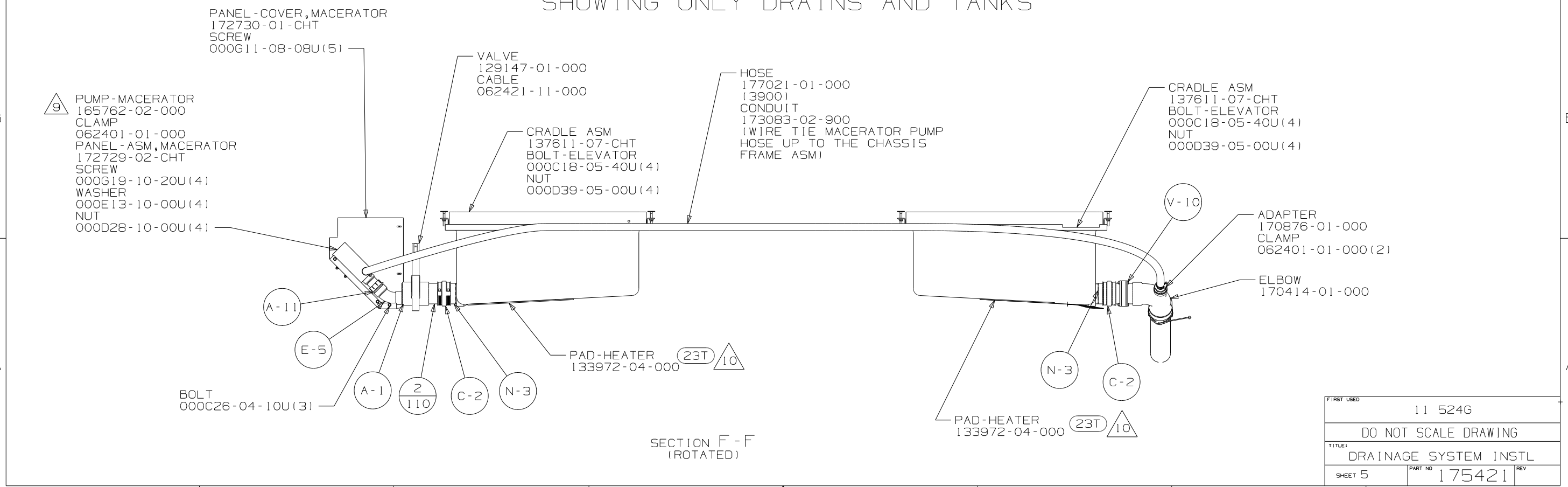


DETAIL H

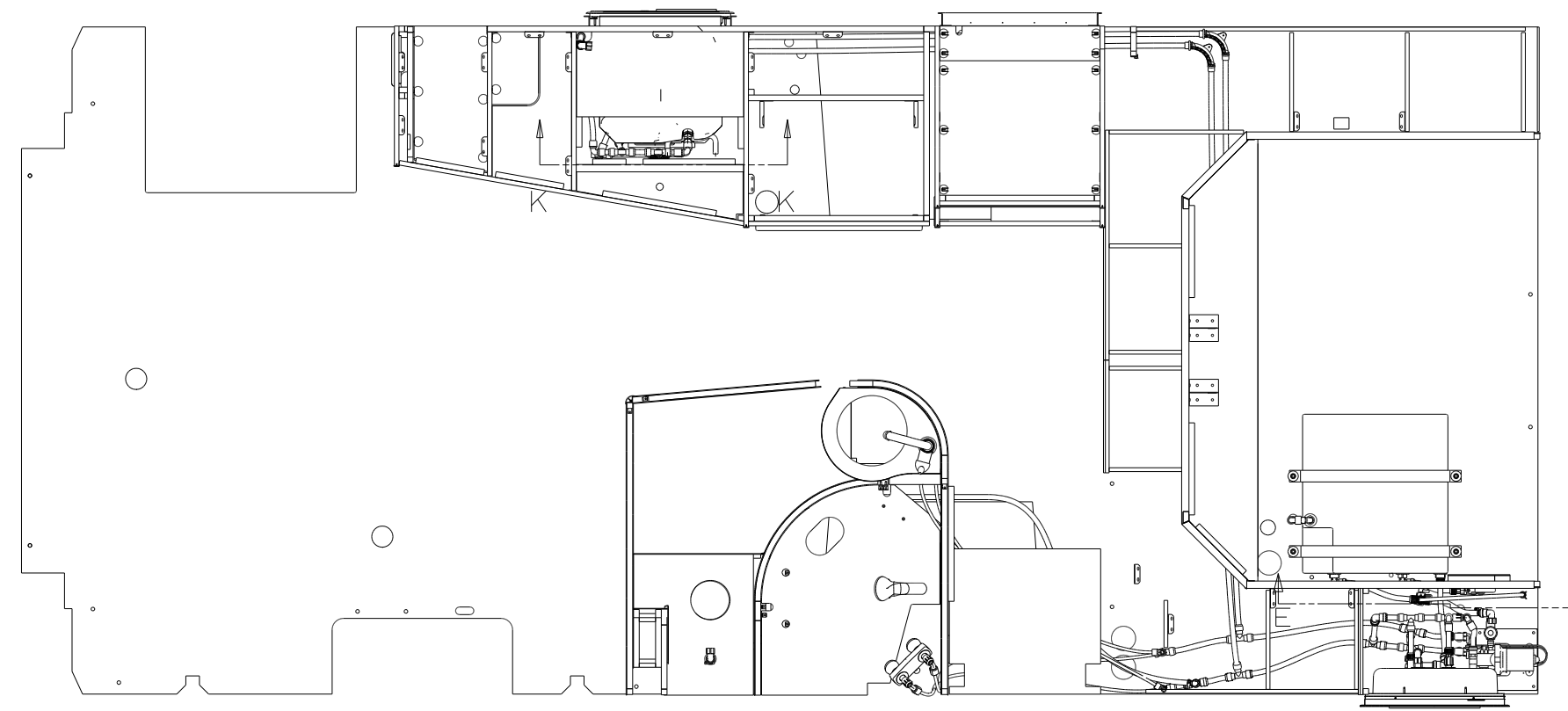
FIRST USED	11 524G	
TITLE	DO NOT SCALE DRAWING	
	DRAINAGE SYSTEM INSTL	
SHEET 4	PART NO 175421	REV



TOP@7
SHOWING ONLY DRAINS AND TANKS



FIRST USED	11 524G
DO NOT SCALE DRAWING	
TITLE	DRAINAGE SYSTEM INSTL
SHEET 5	PART NO 175421 REV

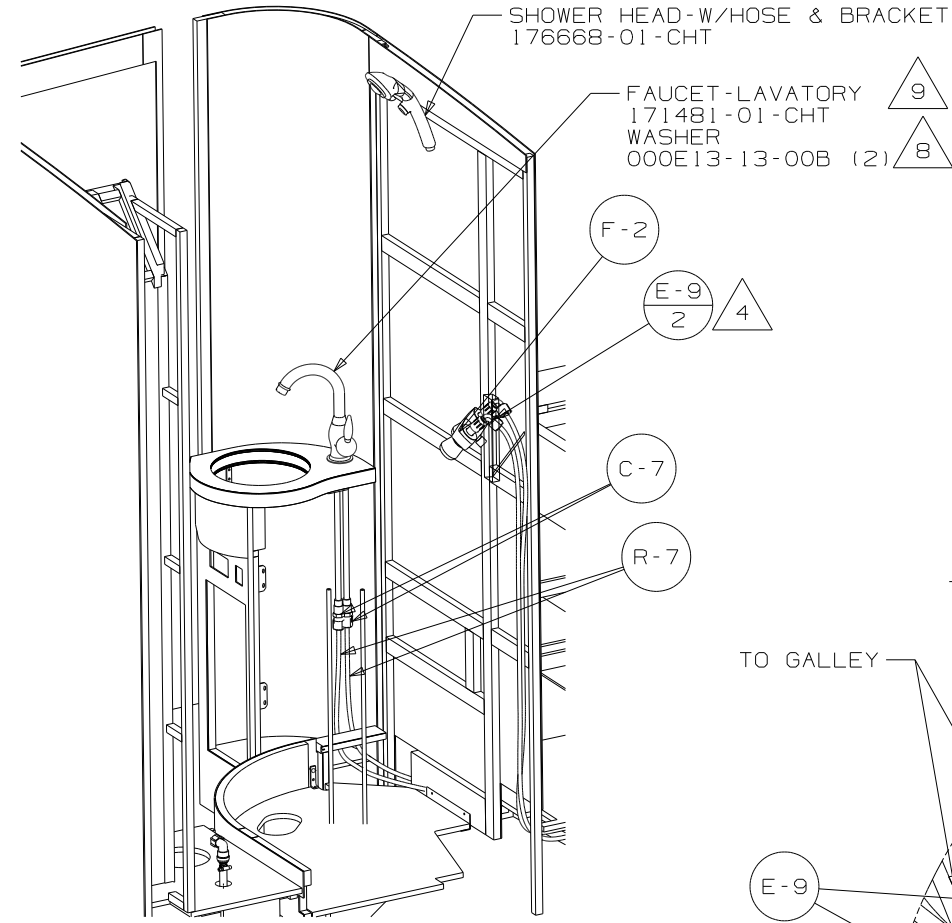


- (53E) WINTERIZATION PACKAGE
- (501) WATER PURIFIER WITHOUT
- (29B) WATER PURIFIER
- (53B) WTR HTR-6 GAL ELEC/LP GAS

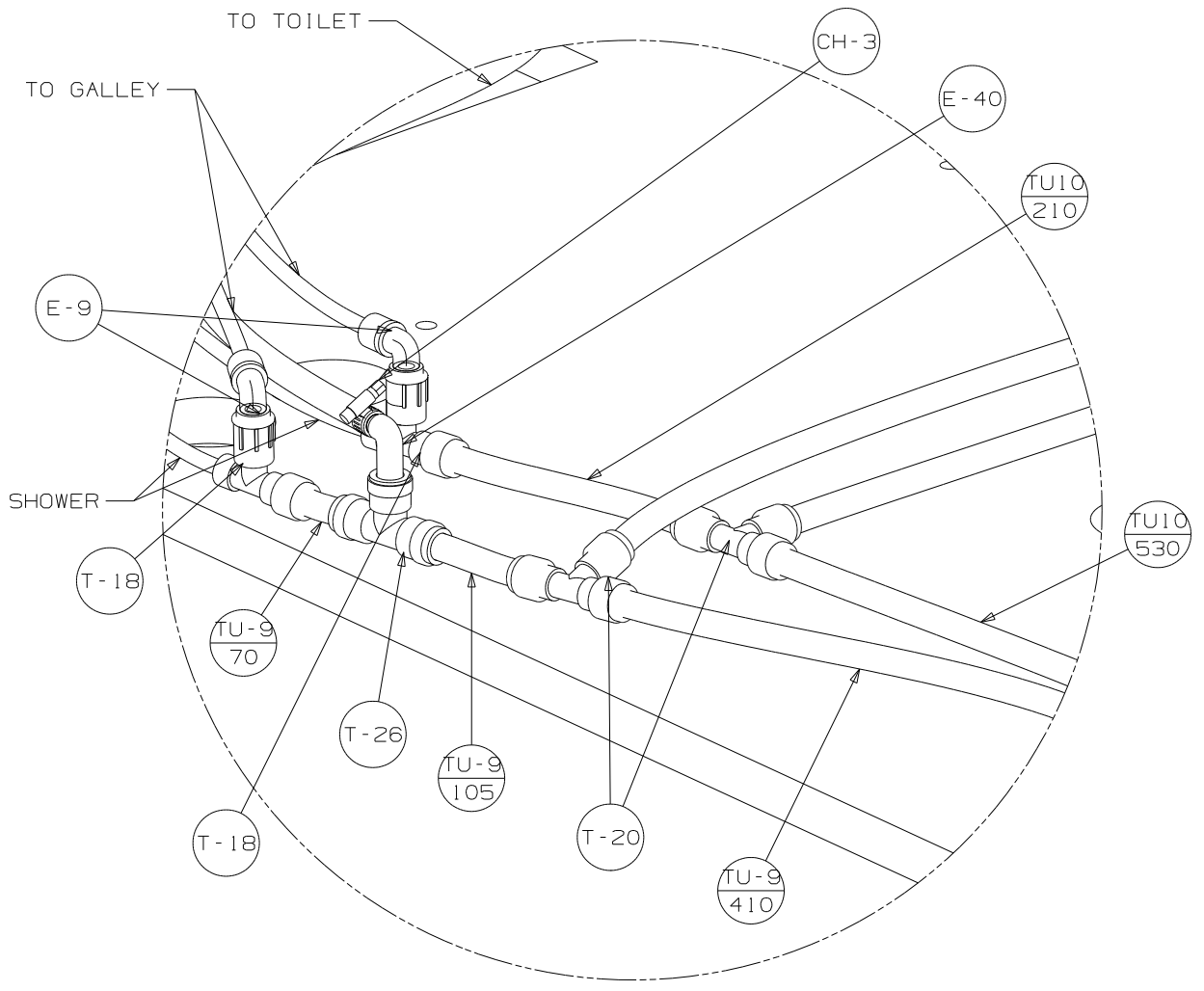
- 9 LAVATORY FAUCET TO BE TURNED SO CONTROLS ARE ON LEFT SIDE.
 - 8 INSTALL BETWEEN MOUNTING PLATE AND RETAINING NUTS.
 - 7 BOLTS TO BE INSTALLED IN FLOOR ASM PRIOR TO THE FLOOR BEING INSTALLED ON FRAME ASM.
 - 6 ADD TEFLON TAPE 010405-03-000.
 - 5 ADD TEFLON TAPE 010405-02-000.
 - 4 ADD TEFLON TAPE 010405-01-000.
3. ALL TUBING TO BE SECURED AT 1200 INTERVALS MAXIMUM WITH CLAMP 010495-01-000 AND SCREW 000G67-10-12B OR EQUIVALENT.
 2. TUBING TO BE INSTALLED WITH SUFFICIENT SLOPE TO PROVIDE DRAINAGE TO NEAREST VALVE.
 1. PLASTIC FITTINGS TO BE SEALED WITH SEALANT 084456-01-000.

WINNEBAGO		COPYRIGHT 2011 WINNEBAGO INDUSTRIES, INC.	
DFT	ORIG. DATE	ALL DIMENSIONS ARE IN MILLIMETERS	
CHKR			
P.E.			
M.E.	FIRST USED		
DSNR		11 524G	
UNSPECIFIED TOLERANCES ARE:		MATERIAL:	
WHOLE DIM (X)	: 3		
ONE-PLACE (X.X)	: 1.5		
TWO-PLACE (X.XX)	: 0.50		
ANGLE	: 1°		
THIRD ANGLE PROJECTION			
DO NOT SCALE DRAWING		REFER TO ES0018 FOR FASTENER TIGHTENING GUIDELINES	
TITLE: WATER SYSTEM INSTL			
SHEET 1 OF 4	PART NO	175429	REV
REF:	1 3/28/2011		

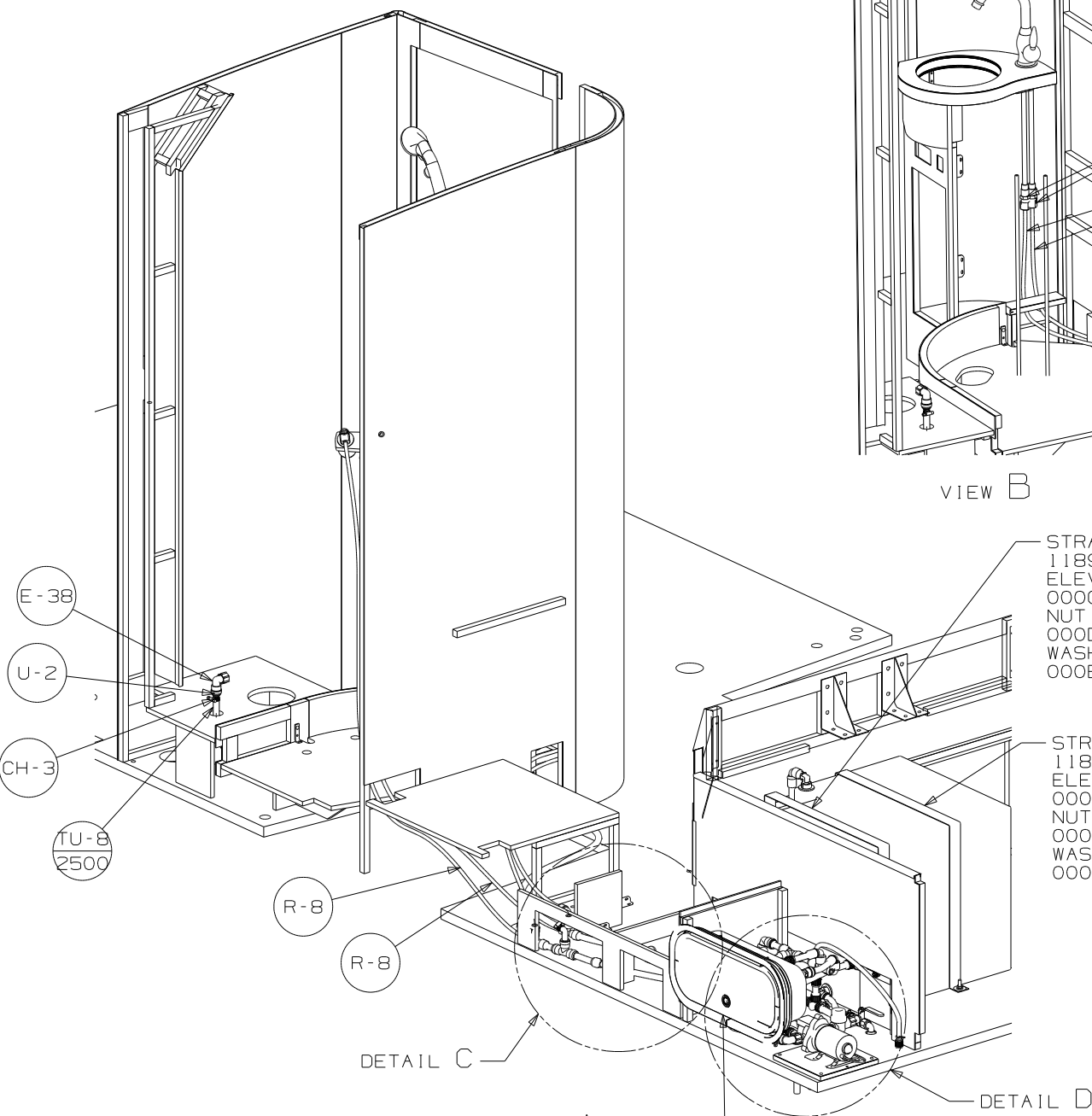
(X-X)
FOR
WATER
CALLOUTS
SEE DWG NO
116230-01-000



VIEW B

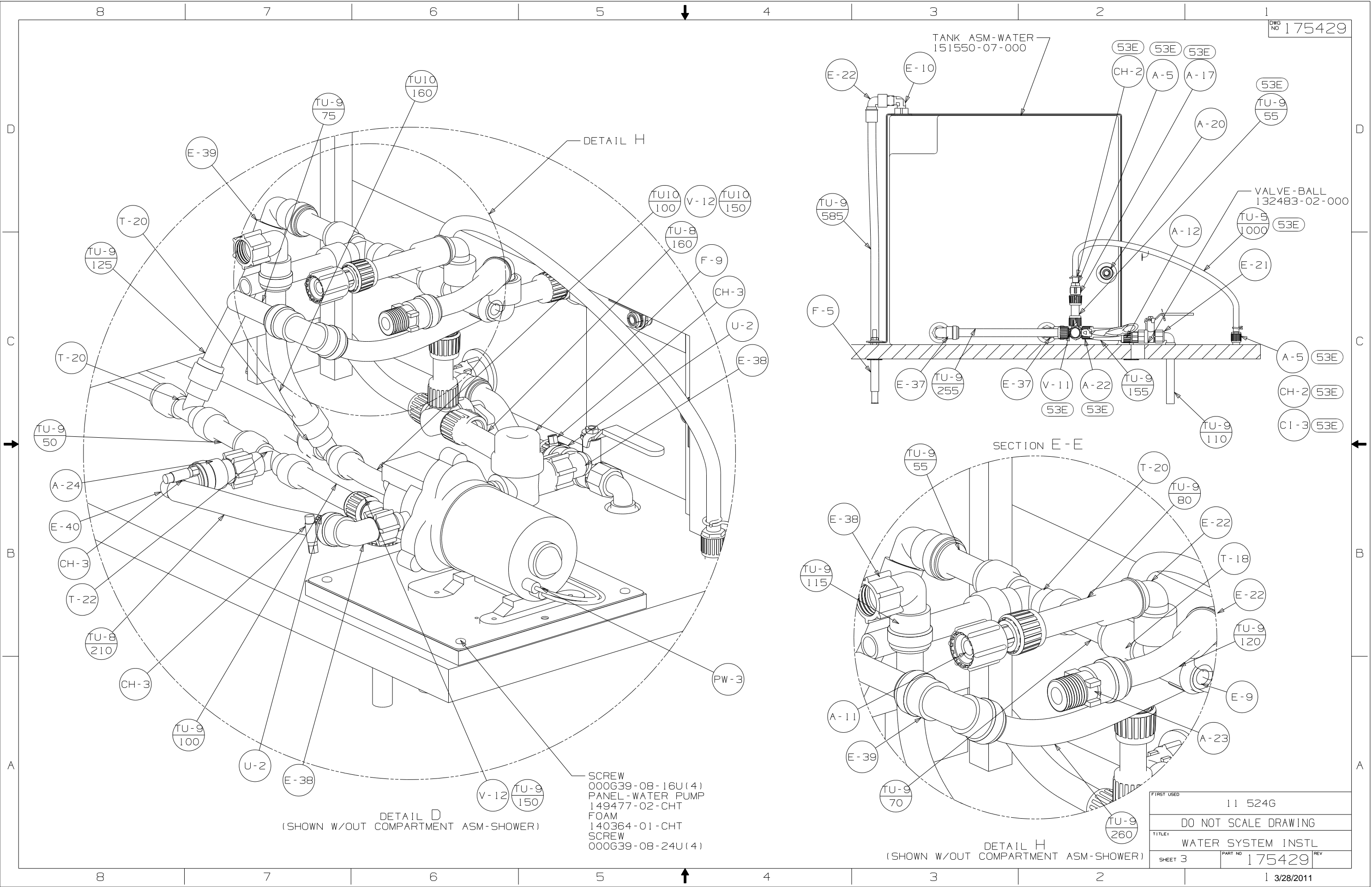


DETAIL C
(SHOWN W/OUT CABINETS)



VIEW A

FIRST USED	11 524G
TITLE	DO NOT SCALE DRAWING
TITLE	WATER SYSTEM INSTL
SHEET 2	PART NO 175429 REV



TANK ASM-WATER
151550-07-000

VALVE-BALL
132483-02-000

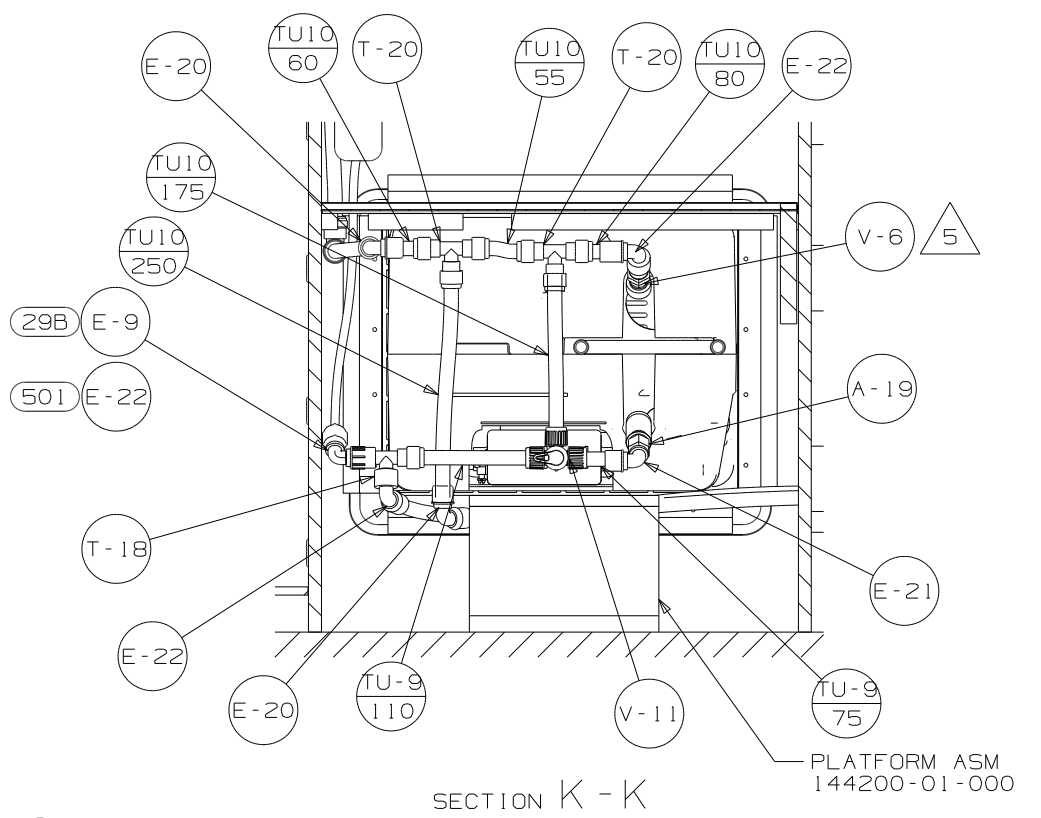
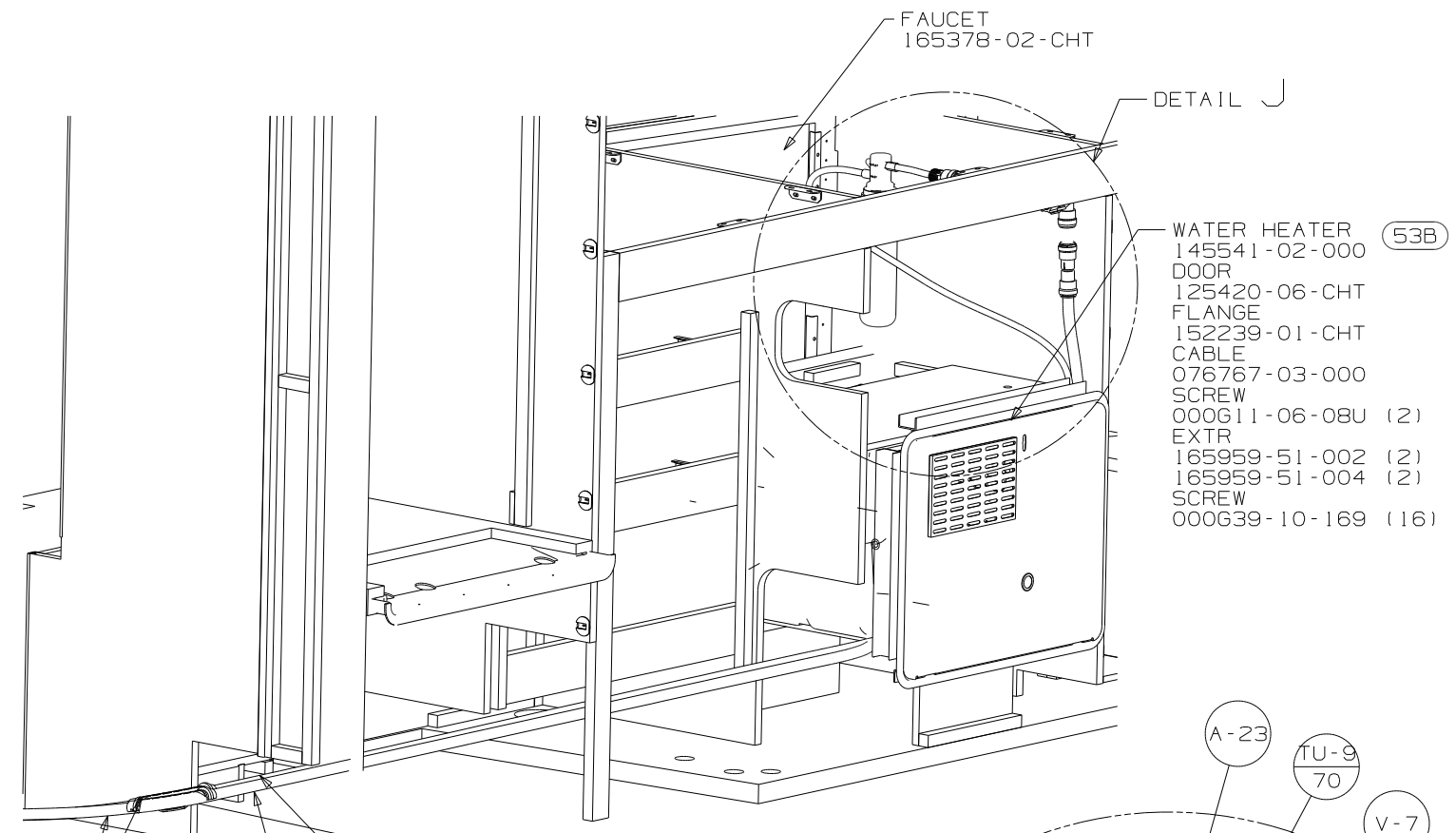
SECTION E-E

DETAIL D
(SHOWN W/OUT COMPARTMENT ASM-SHOWER)

DETAIL H
(SHOWN W/OUT COMPARTMENT ASM-SHOWER)

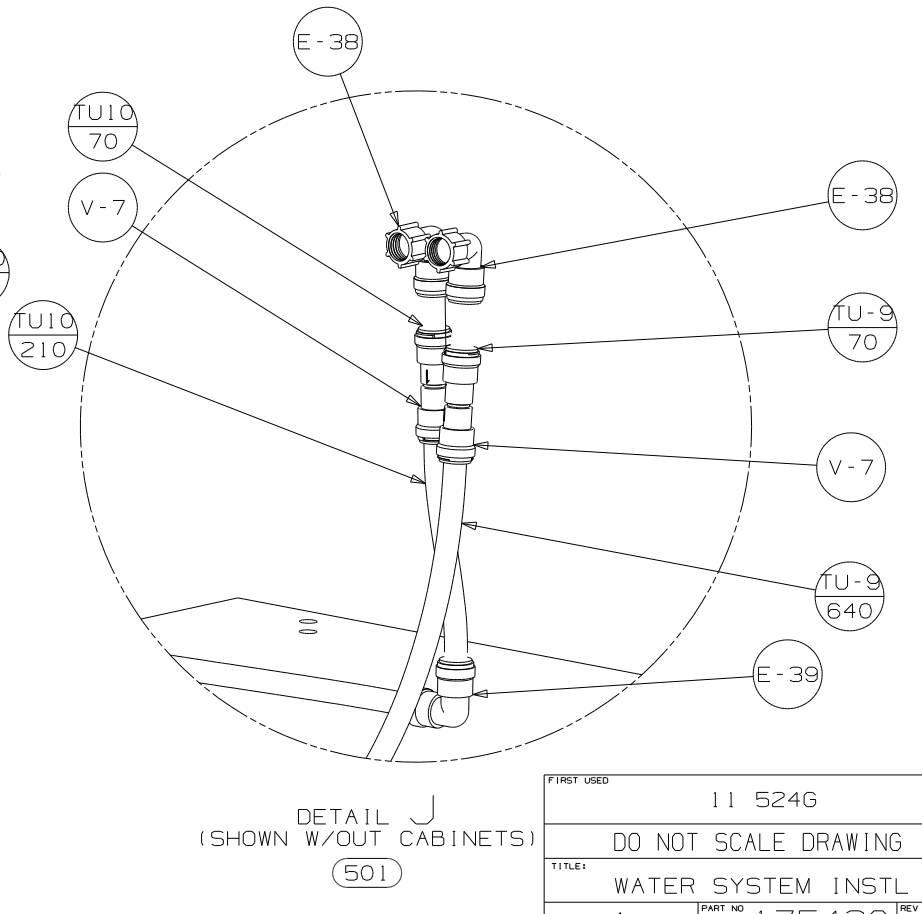
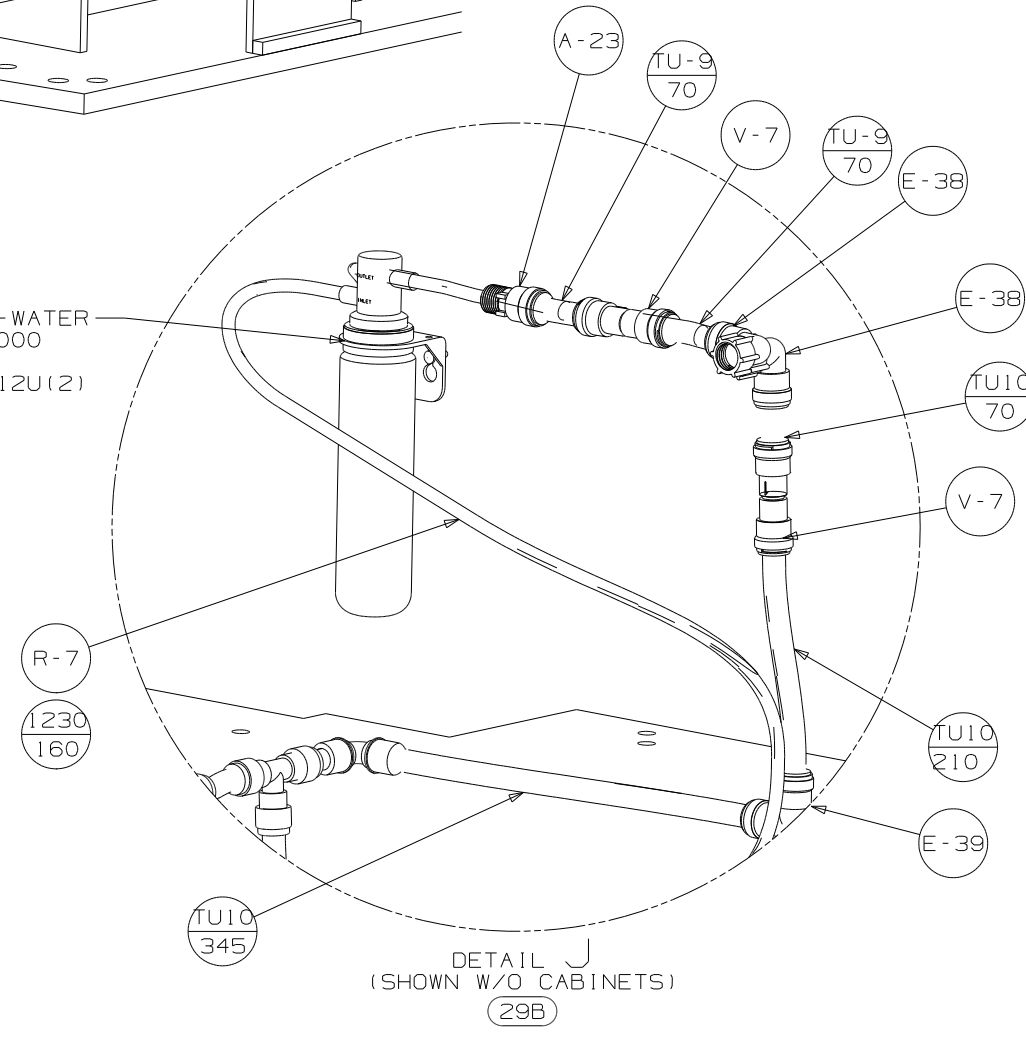
- SCREW
000639-08-16U (4)
- PANEL-WATER PUMP
149477-02-CHT
- FOAM
140364-01-CHT
- SCREW
000639-08-24U (4)

FIRST USED	11 524G
DO NOT SCALE DRAWING	
TITLE:	WATER SYSTEM INSTL
SHEET 3	PART NO 175429 REV



VIEW F

FILTER KIT-WATER
160946-03-000
SCREW
000G67-10-12U(2)



FIRST USED	11 524G
DO NOT SCALE DRAWING	
TITLE:	WATER SYSTEM INSTL
SHEET 4	PART NO 175429 REV
1 3/28/2011	