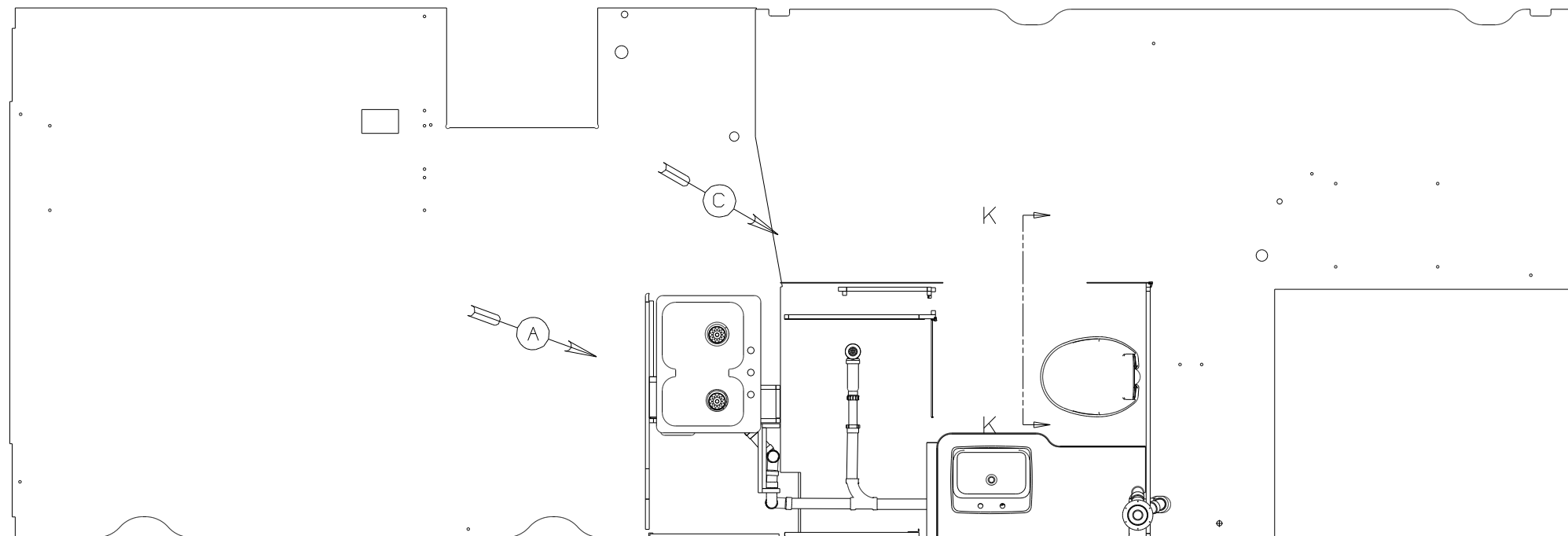


DWG NO	VIEW
175936-01	H
175936-02	J

RELEASE	REV DATE	DWG NO
A		175936
REV ZONE	REVISION RECORD	DATE



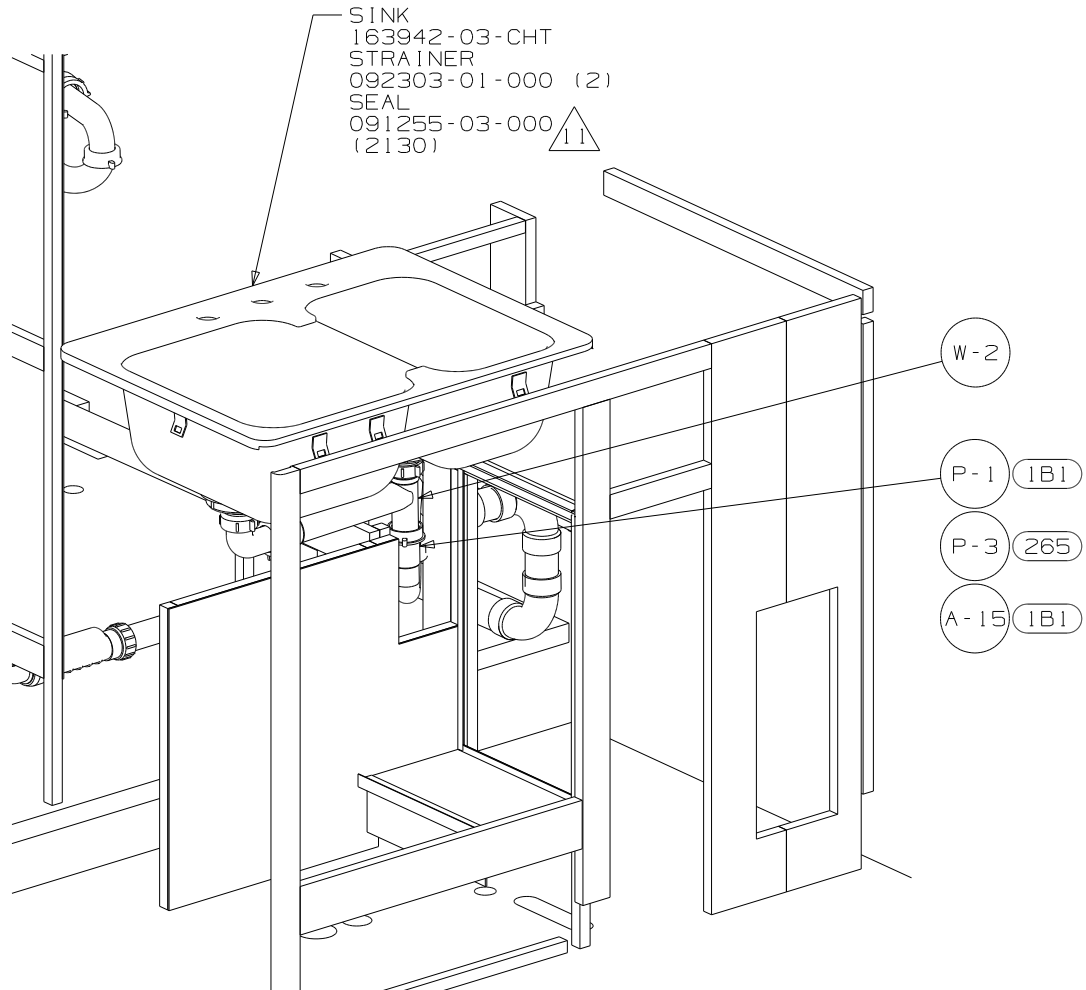
- 11 USE SMOOTH PLUMBERS PUTTY 167459-01-000 TO SEAL STRAINER (0.2 PER STRAINER).
- 10 PREP THE SURFACE PER MANUFACTURING INSTRUCTIONS, BEFORE APPLYING THE HEATING PAD.
- 9 WATERLESS P-TRAP MUST BE INSTALLED WITH THE RIBS POINTING DOWN
- 8 SECURE PIPES TO CABINET USING WIRE TIE 108046-02-000 AND SCREW 000G67-10-12B.
- 7 SECURE VENT TUBES TO FLOOR WITH CLAMP 062401-02-000 (2), SCREW 000G67-10-12B (2), AND BRACKET 136878-01-CHT (2).
- 6 VENT PIPE MUST PROJECT 51 MIN AND 64 MAX ABOVE ROOF FOR PROPER FIT AND FUNCTION.
- 5. SEAL AROUND SHOWER WITH SILICONE.
- 4. SEE WIRING INSTL-BODY, 12V FOR ELECTRICAL CONNECTION.
- 3. ALL PIPE AND FITTINGS TO BE ASSEMBLED WITH SOLVENT 004020-01-000 (USA), 004020-02-000 (CAN)
- 2. SLOPE OF TRAP ARM MUST BE 6 PER 305 mm.
- 1. SLOPE OF HORIZONTAL PIPING TO BE MIN 3 PER 305 mm.

- 43E TOILET PROCELAIN-ROUND
- 464 TOILET
- 1B1 CODES/STANDARDS USA
- 265 CODES/STANDARDS-CSA/CMVSS
- 23T DRAINAGE SYSTEM-HEATED
- 644 GREAT ALASKAN RENTALS

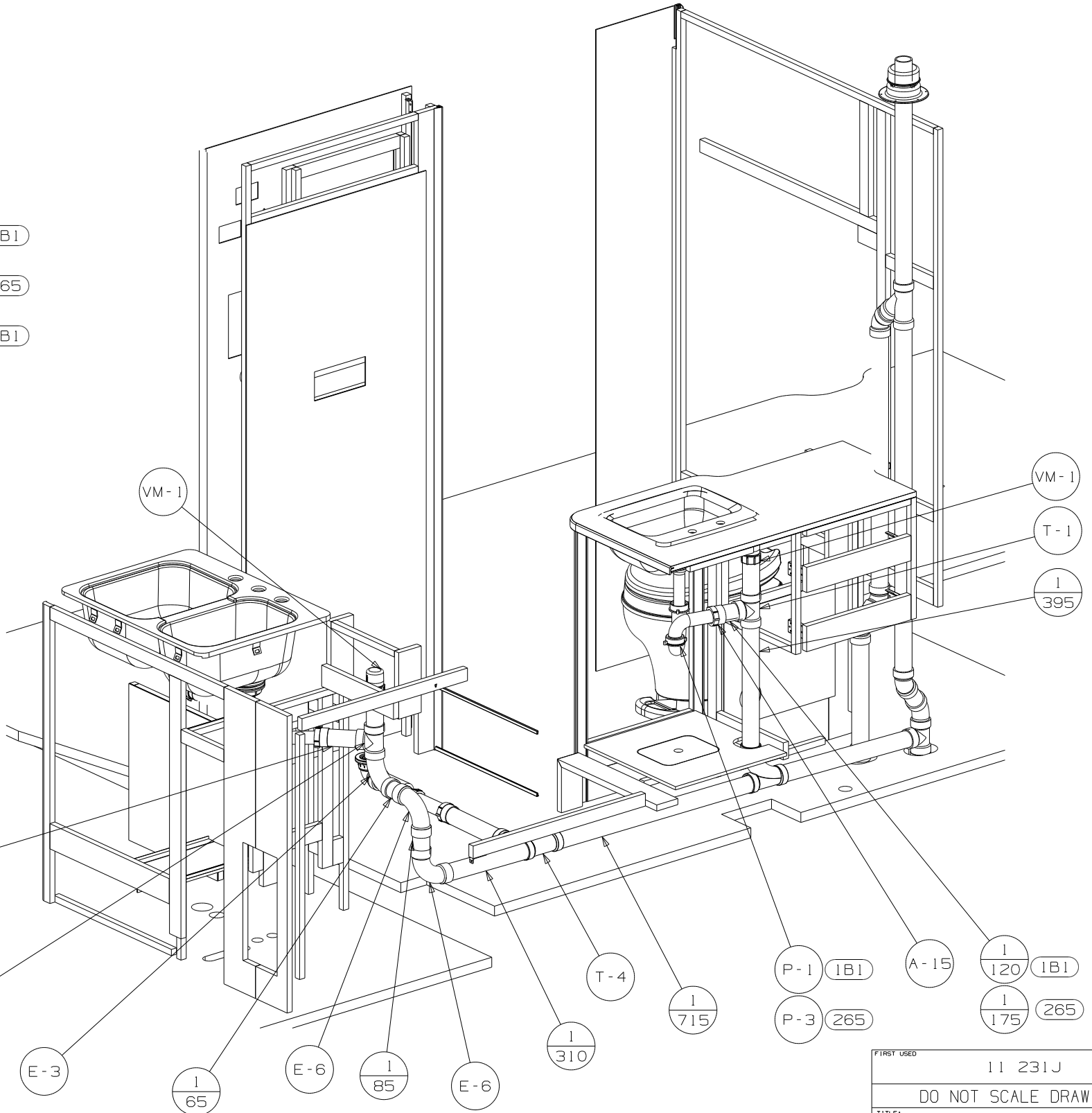
NOTES:

FOR DRAINAGE CALLOUTS SEE DWG NO 116229-01-000

WINNEBAGO		COPYRIGHT 2010 WINNEBAGO INDUSTRIES, INC.	
DFTR	ORIG. DATE	ALL DIMENSIONS ARE IN MILLIMETERS	
CHKR		FIRST USED	
P.E.		11 231J	
M.E.		UNSPECIFIED TOLERANCES ARE:	
DSNR		MATERIAL:	
		WHOLE DIM (X)	: 3
		ONE-PLACE (X.X)	: 1.5
		TWO-PLACE (X.XX)	: 0.50
		ANGLE	: 1°
		THIRD ANGLE PROJECTION	
DO NOT SCALE DRAWING		REFER TO ES0018 FOR FASTENER TIGHTENING GUIDELINES	
TITLE: DRAINAGE SYSTEM INSTL			
SHEET 1 OF 4	PART NO	175936	REV
REF:	12/8/2010		



VIEW A



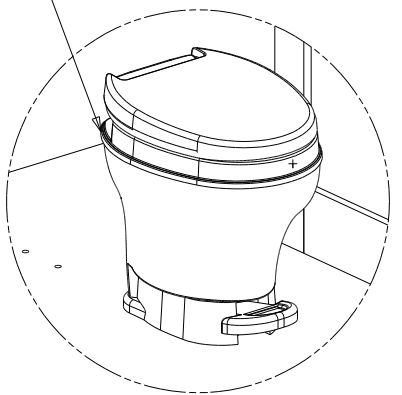
VIEW B

FIRST USED	11 231J	
TITLE	DO NOT SCALE DRAWING	
	DRAINAGE SYSTEM INSTL	
SHEET 2	PART NO	175936
	REV	

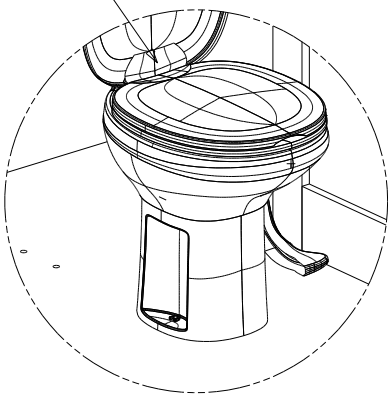
TOILET
464 147421-04-CHT
TOILET-STYLE II W/O SPRAYER
644 160815-03-CHT
SCREW
087721-01-000 (6)

TOILET
43E 160815-01-CHT
SCREW
087721-01-000 (6)

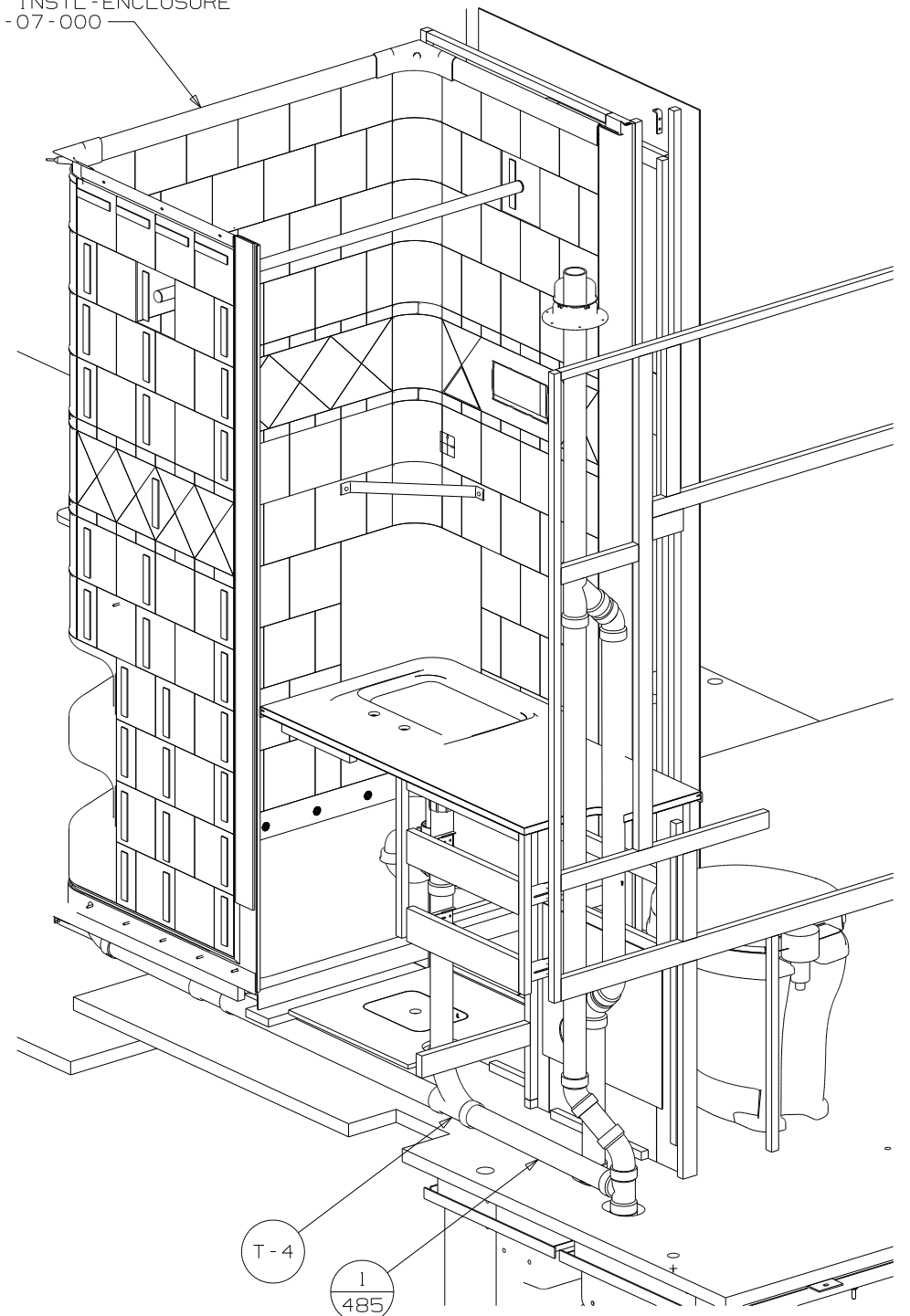
SHOWER INSTL-ENCLOSURE
164684-07-000



DETAIL H

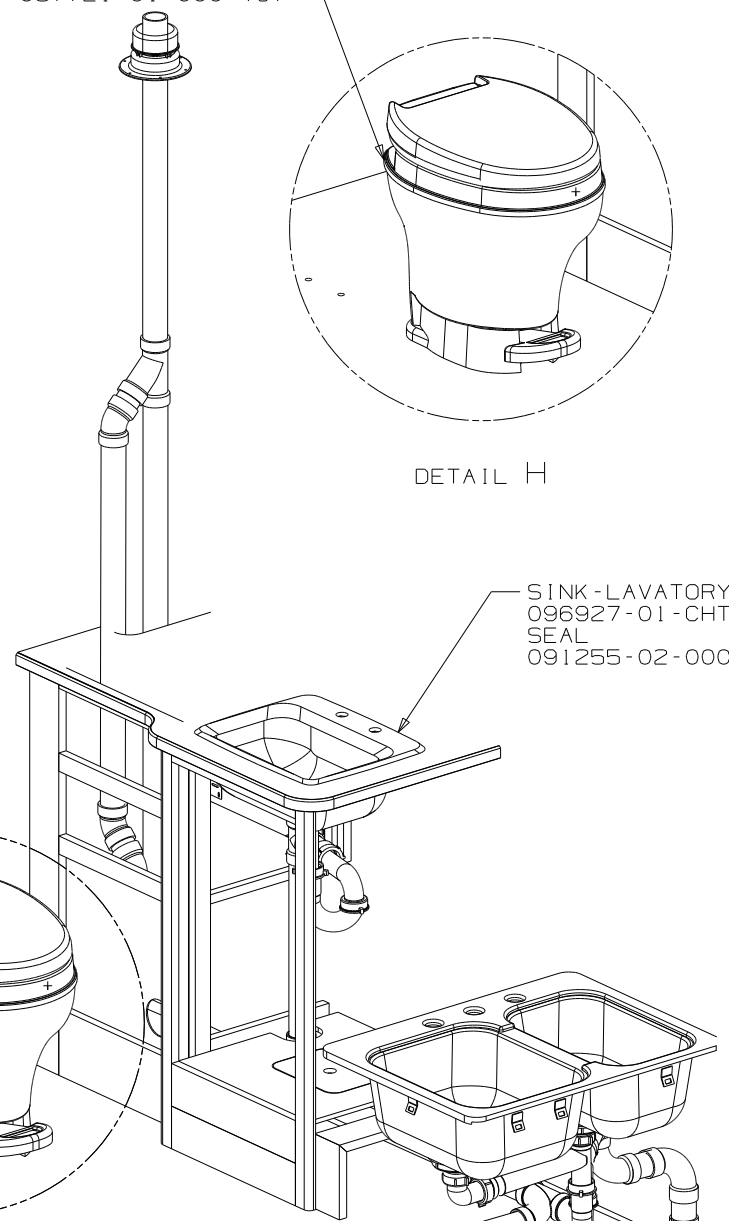


DETAIL J

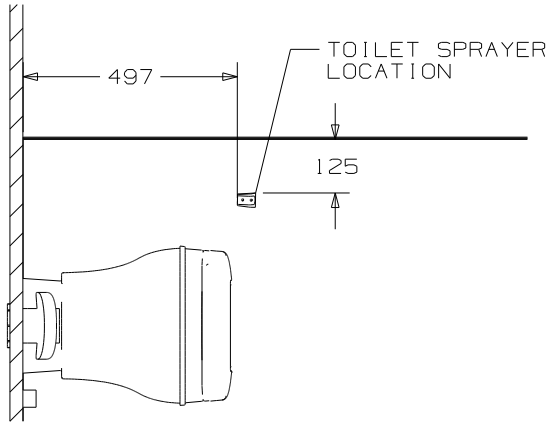


T-4
1/485

VIEW D



SINK-LAVATORY
096927-01-CHT
SEAL
091255-02-000 (A/R)



SECTION K-K

DETAIL H & J
(SEE TAB)

F-6
G-2
N-3

STRAINER
066440-01-000

ADAPTER
165406-02-000

A-15
1/250

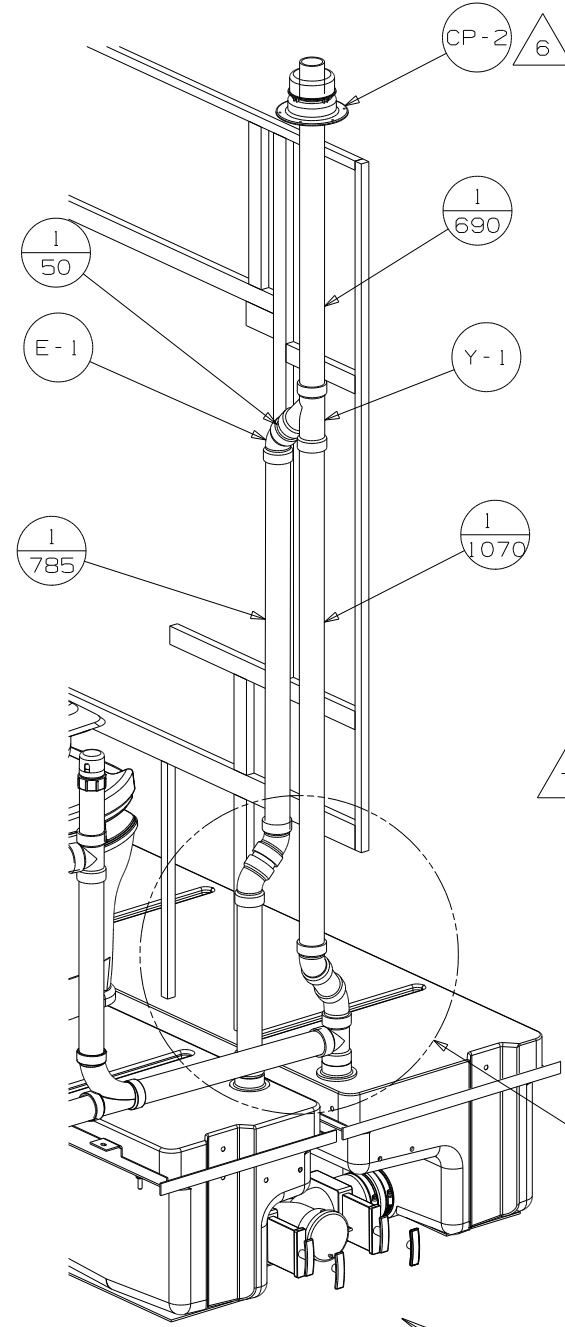
PIPE-STAND
130234-02-000

VIEW C

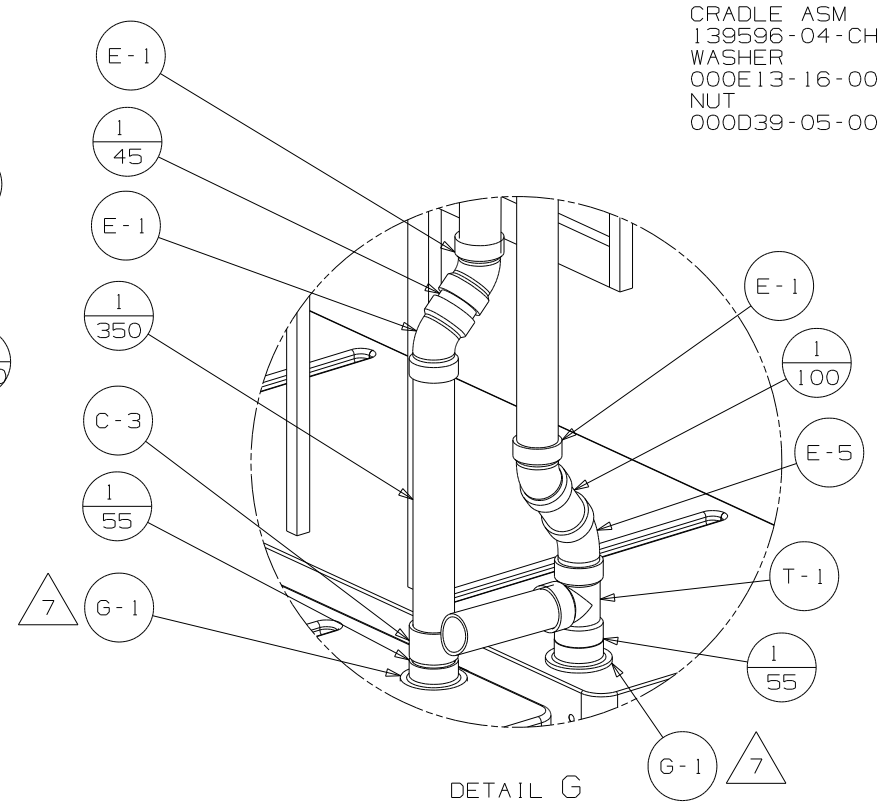
TRAP-WATERLESS
165406-01-000



FIRST USED	11 231J
TITLE	DO NOT SCALE DRAWING
TITLE	DRAINAGE SYSTEM INSTL
SHEET 3	PART NO 175936 REV
12/8/2010	

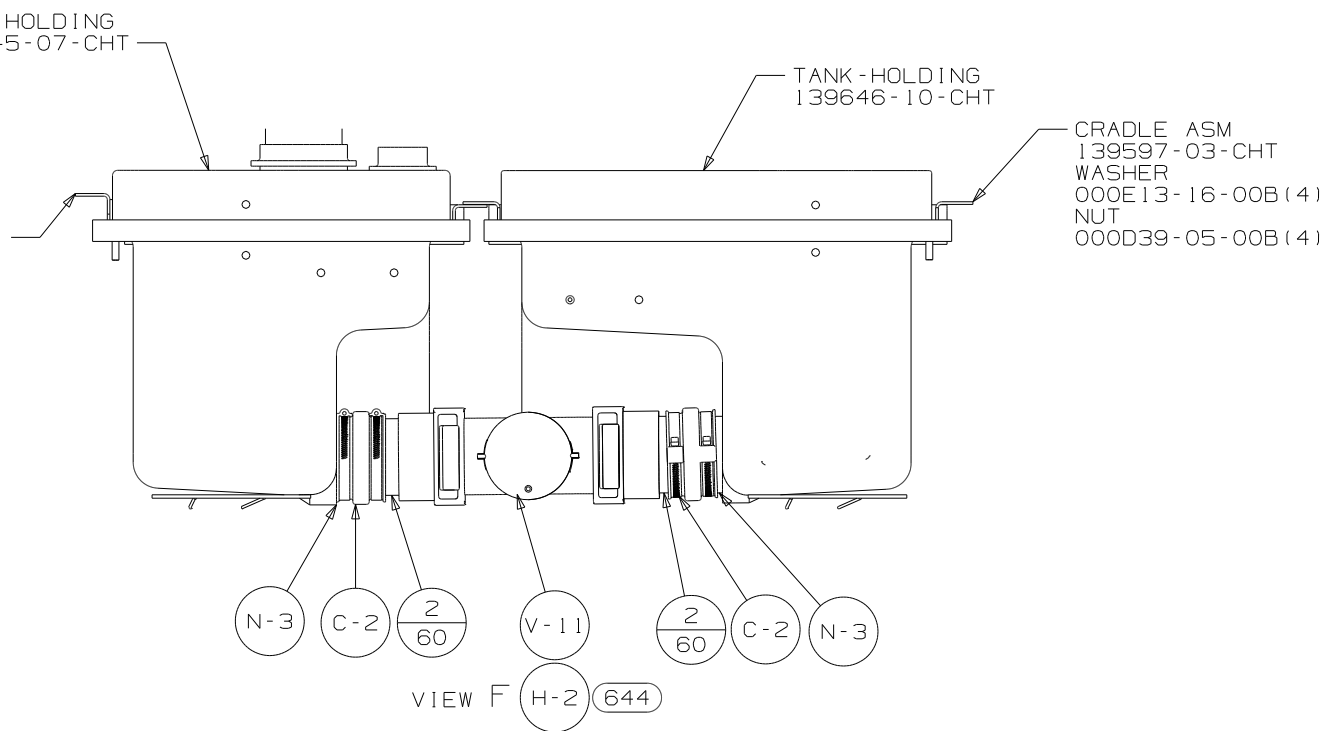


VIEW E
(WITHOUT FLOOR)

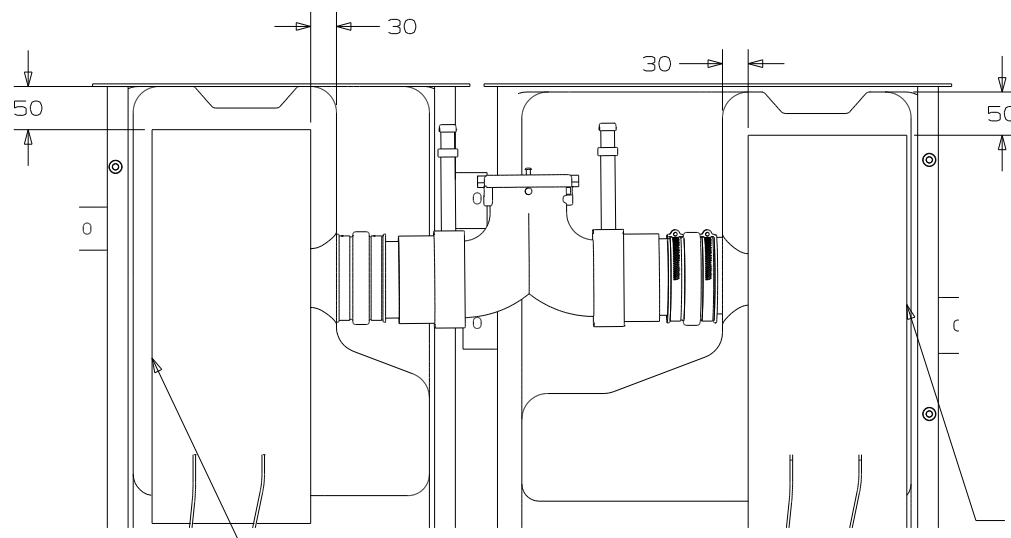


DETAIL G

CRADLE ASM
139596-04-CHT
WASHER
000E13-16-00B(4)
NUT
000D39-05-00B(4)



VIEW F



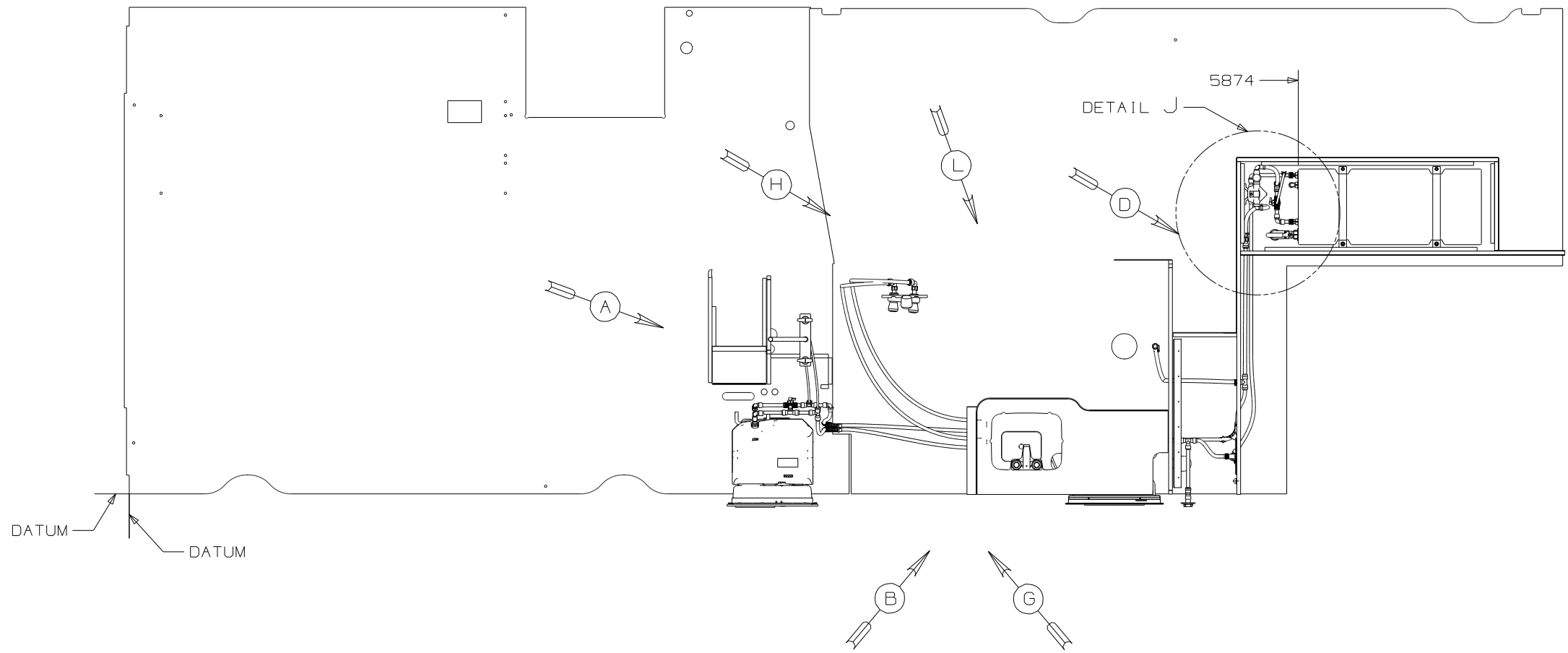
10
23T 4
PAD-HEATER
133972-04-000
INSTALL PER
MANUFACTURERS LABEL

10
23T 4
PAD-HEATER
133972-04-000
INSTALL PER
MANUFACTURERS LABEL

FIRST USED	11 231J
TITLE	DO NOT SCALE DRAWING
	DRAINAGE SYSTEM INSTL
SHEET 4	PART NO 175936 REV

DWG NO	VIEW	MODEL
175944-01	M, P, S	231J
175944-02	N, R, T	231JP

RELEASE	REV DATE	DWG NO
A		175944
REV ZONE	REVISION RECORD	DATE DFR-ORIG

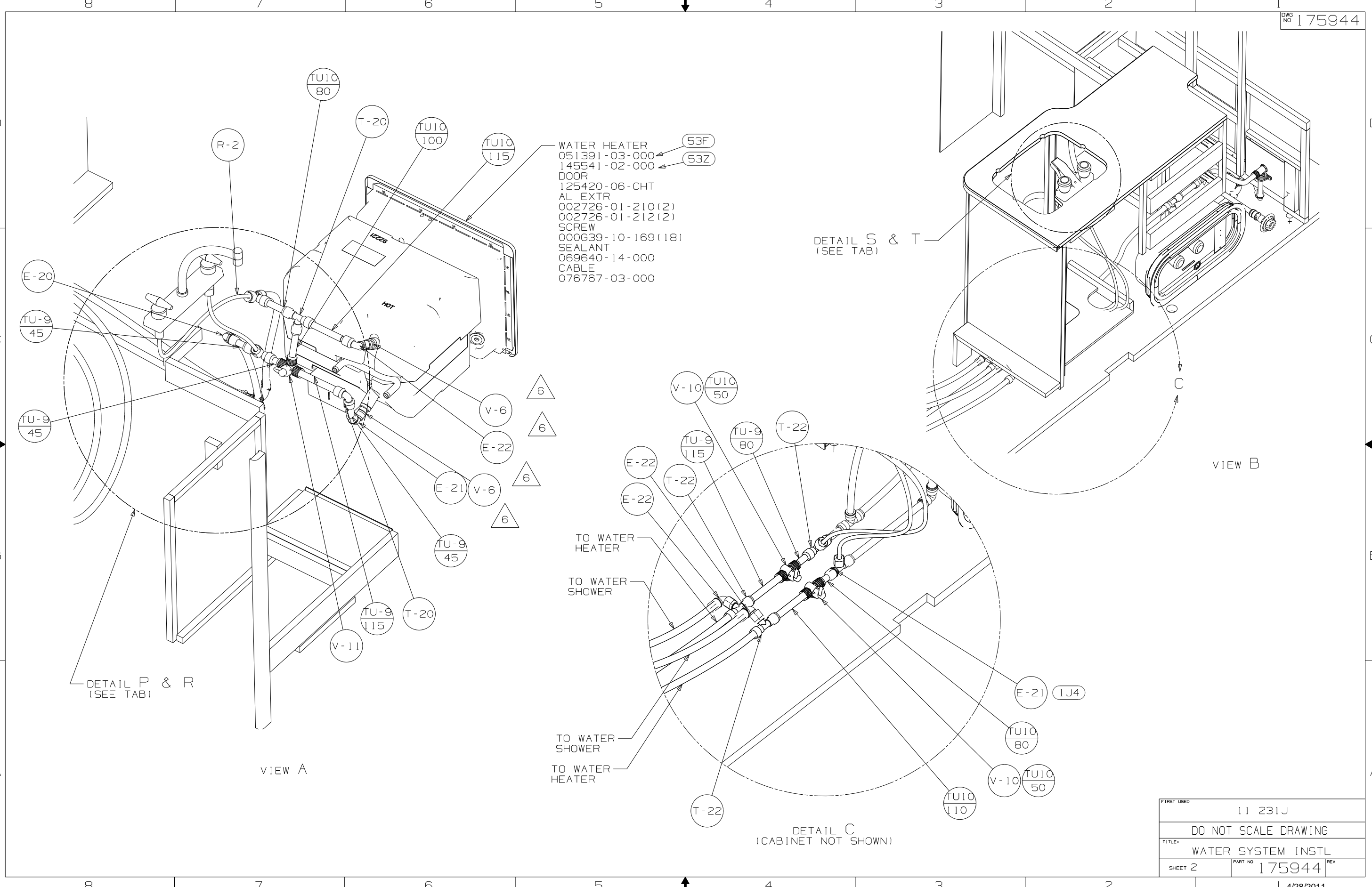


- (644) GREAT ALASKAN RENTAL PACKAGE
- (464) TOILET
- (53Z) WTR HTR-6GAL/110/LP/MTR/AUTO
- (1J4) EXT WASH STATION - WITHOUT
- (64R) EXTERIOR WASH STATION
- (53F) WATER HEATER-ELEC. IGNITION
- (53E) WATER SYS WINTERIZATION PKG

- NOTES:
1. PLASTIC FITTINGS TO BE SEALED WITH SEALANT 084456-01-000.
 2. TUBING TO BE INSTALLED WITH SUFFICIENT SLOPE TO PROVIDE DRAINAGE TO NEAREST VALVE.
 3. ALL TUBING TO BE SECURED AT 1200 INTERVALS MAXIMUM WITH CLAMP 010495-01-000 AND SCREW 000667-10-12B OR EQUIVALENT.
 4. ADD TEFLON TAPE 010405-01-000.
 5. ADD TEFLON TAPE 010405-02-000.
 6. ADD TEFLON TAPE 010405-03-000.
 7. LABEL THE HOT AND COLD SUPPLY RISER TUBE AND TAPE FITTING TO TUBES BEFORE CABINET SET TO PREVENT MOVEMENT.

(X-X)
FOR
WATER
CALLOUTS
SEE DWG NO
116230-01-000

WINNEBAGO		COPYRIGHT 2011 WINNEBAGO INDUSTRIES, INC.	
DFT	ORIG. DATE	ALL DIMENSIONS ARE IN MILLIMETERS	
CHKR		FIRST USED	
P.E.		11 231J	
M.E.		UNSPECIFIED TOLERANCES ARE:	
DSNR		MATERIAL:	
		WHOLE DIM (X)	: 3
		ONE-PLACE (X.X)	: 1.5
		TWO-PLACE (X.XX)	: 0.50
		ANGLE	: 1°
THIRD ANGLE PROJECTION		DO NOT SCALE DRAWING REFER TO ES0018 FOR FASTENER TIGHTENING GUIDELINES	
TITLE: WATER SYSTEM INSTL			
SHEET 1 OF 6	PART NO	175944	REV
REF:	1 4/28/2011		



- WATER HEATER (53F)
- 051391-03-000 (53Z)
- 145541-02-000
- DOOR
- 125420-06-CHT
- AL EXTR
- 002726-01-210(2)
- 002726-01-212(2)
- SCREW
- 000G39-10-169(18)
- SEALANT
- 069640-14-000
- CABLE
- 076767-03-000

DETAIL S & T
(SEE TAB)

DETAIL P & R
(SEE TAB)

TO WATER HEATER

TO WATER SHOWER

TO WATER SHOWER

TO WATER HEATER

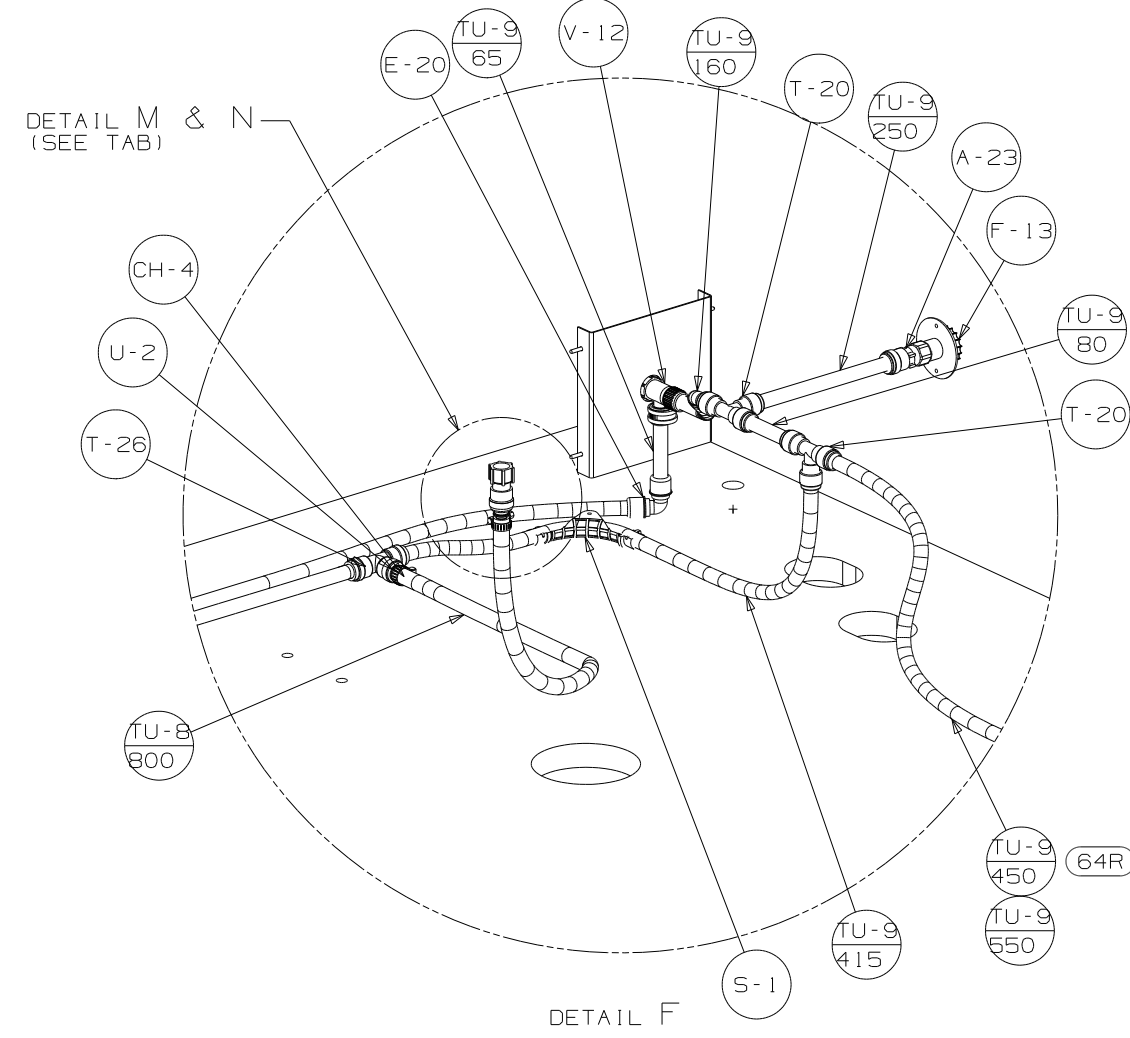
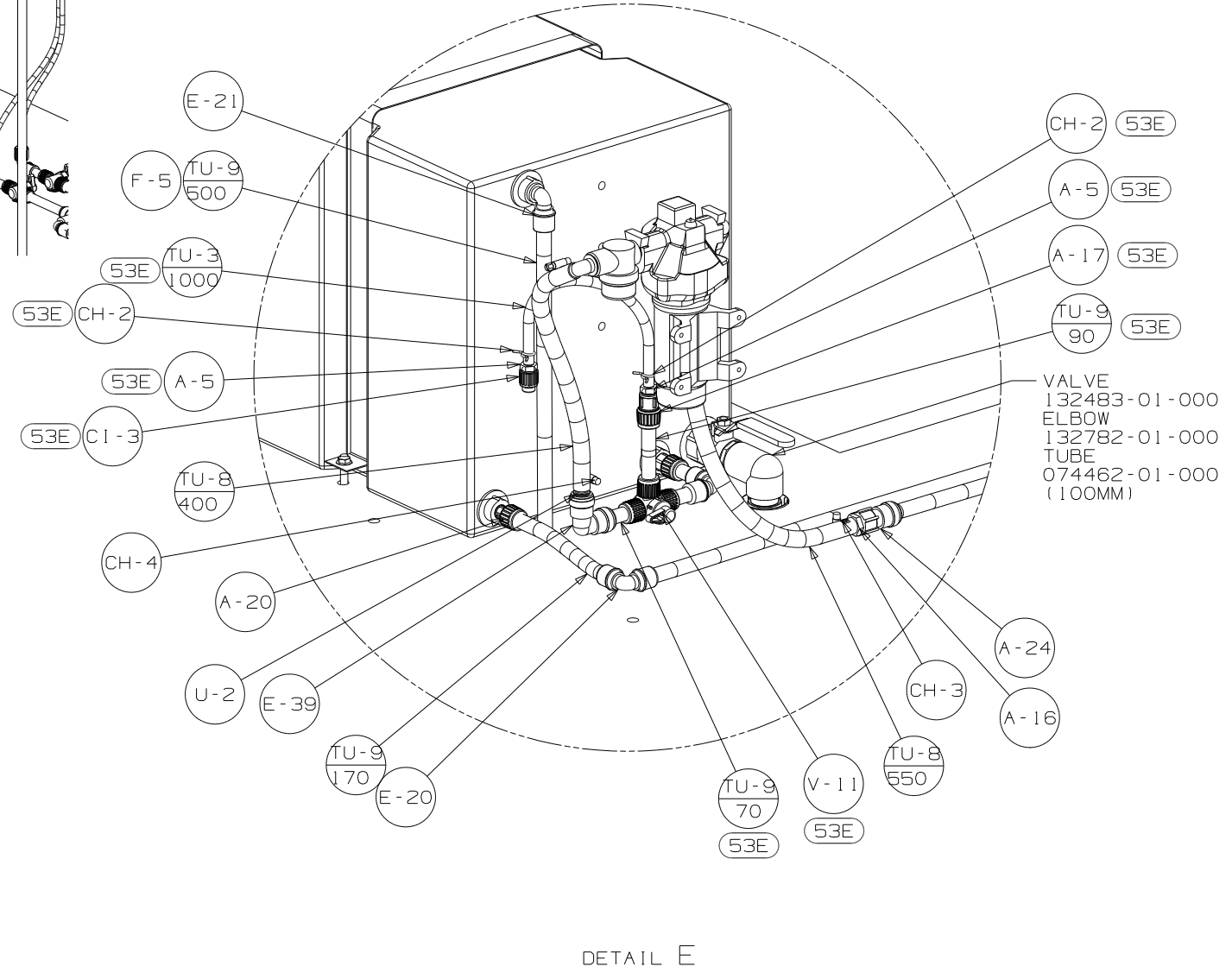
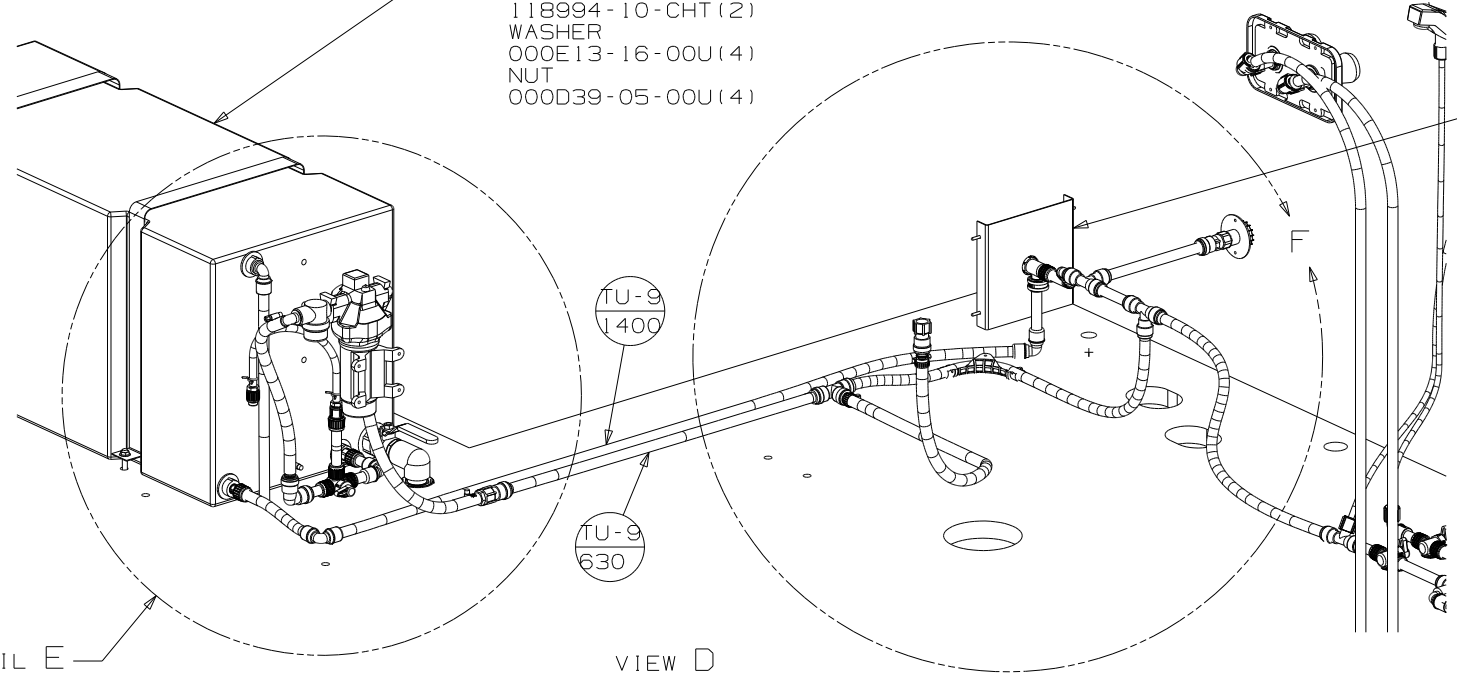
DETAIL C
(CABINET NOT SHOWN)

FIRST USED	11 231J
TITLE	DO NOT SCALE DRAWING
TITLE	WATER SYSTEM INSTL
SHEET 2	PART NO 175944 REV

- TANK ASM
156167-07-000
- STRAP
118994-10-CHT(2)
- WASHER
000E13-16-00U(4)
- NUT
000D39-05-00U(4)

- BRACKET-VALVE
151245-03-CHT
- SCREWS
000G67-08-12U(4)
- CLAMP
010497-03-000
- RIVET
113133-01-CHT

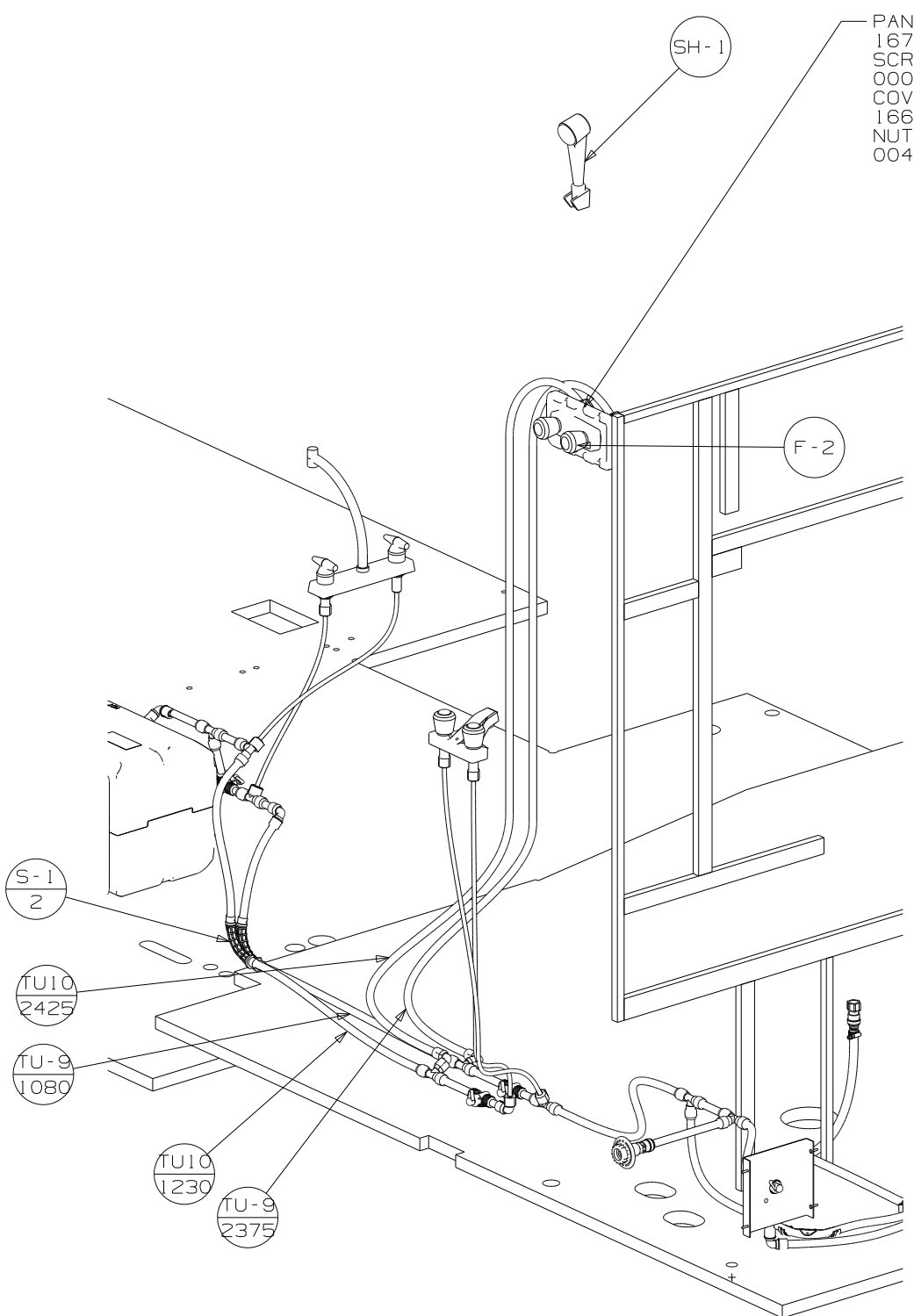
- VALVE
132483-01-000
- ELBOW
132782-01-000
- TUBE
074462-01-000
(100MM)



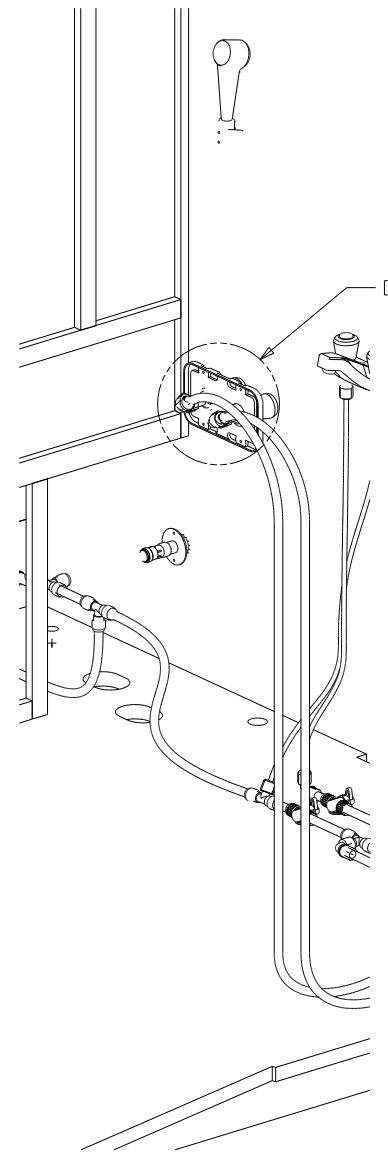
DETAIL M & N
(SEE TAB)

FIRST USED	11 231J
DO NOT SCALE DRAWING	
TITLE:	WATER SYSTEM INSTL
SHEET 3	PART NO 175944 REV

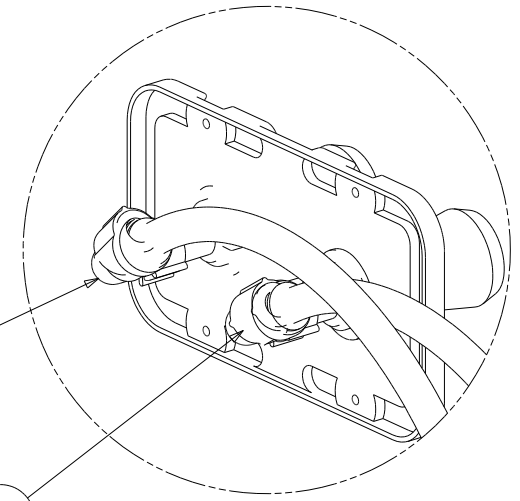
PANEL - SHOWER
167738-02-CHT
SCREW
000G11-08-12U (4)
COVER
166569-01-CHT (4)
NUT - SPEED-U
004921-05-000 (4)



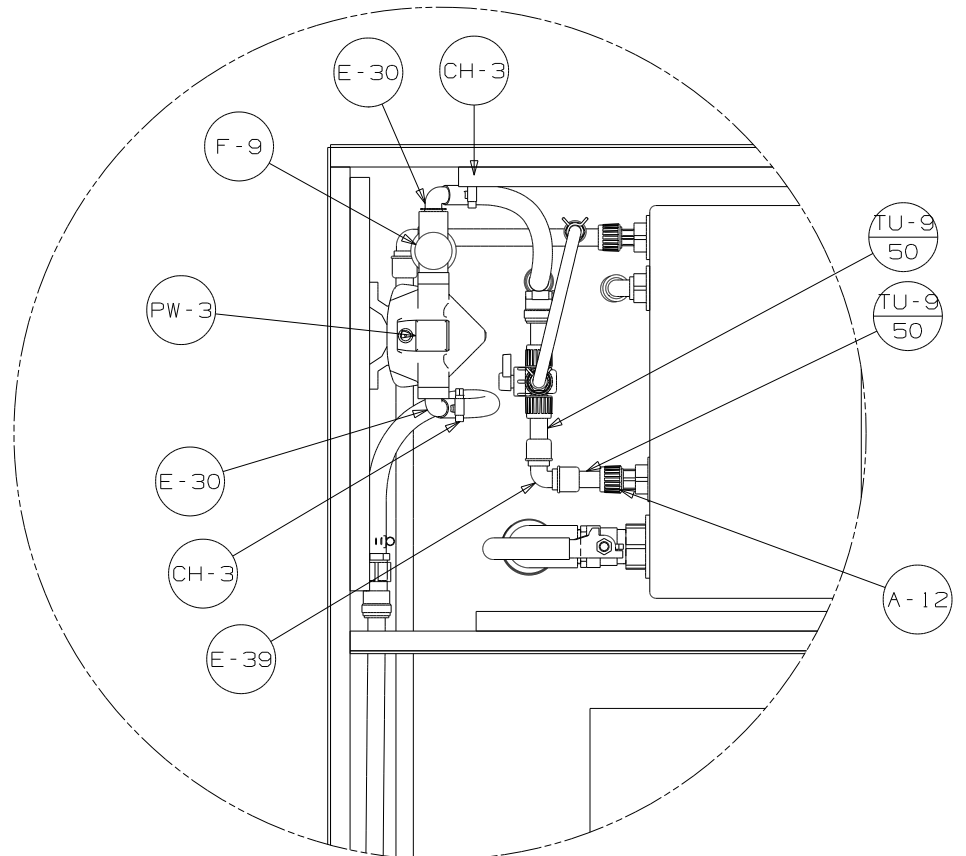
VIEW G



VIEW H

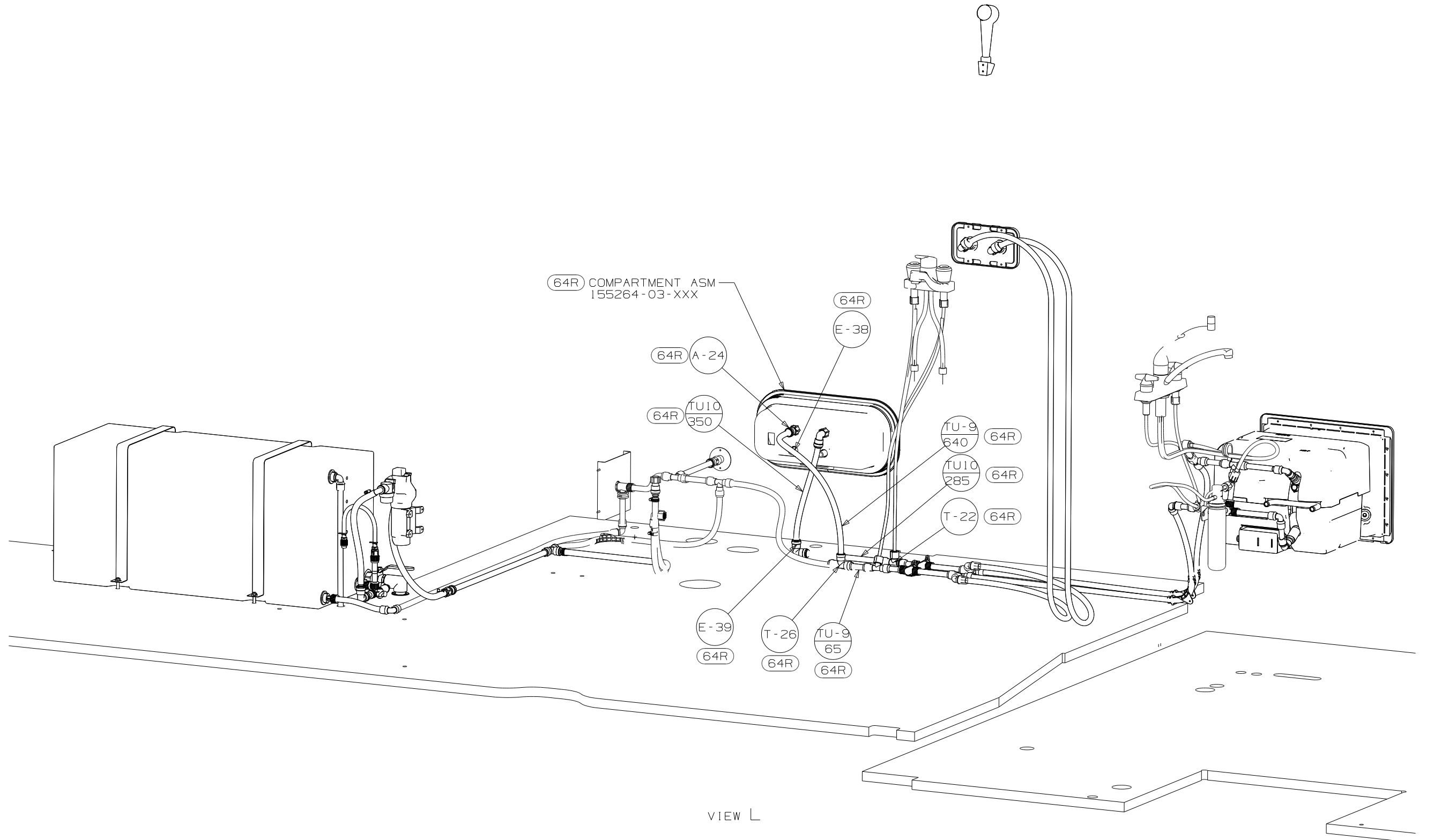


DETAIL K



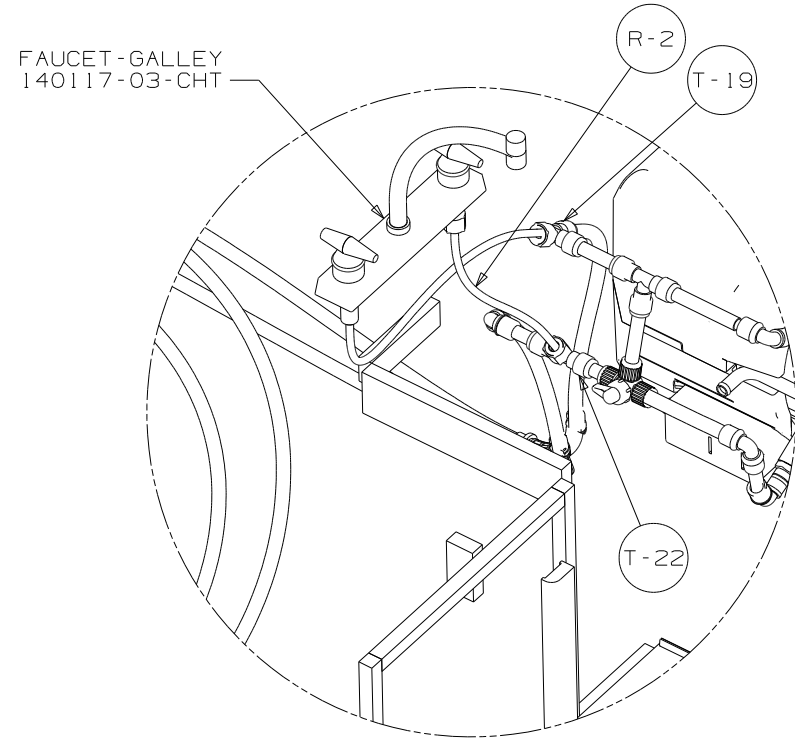
DETAIL J

FIRST USED	11 231J
TITLE:	DO NOT SCALE DRAWING
TITLE:	WATER SYSTEM INSTL
SHEET 4	PART NO 175944
REV	

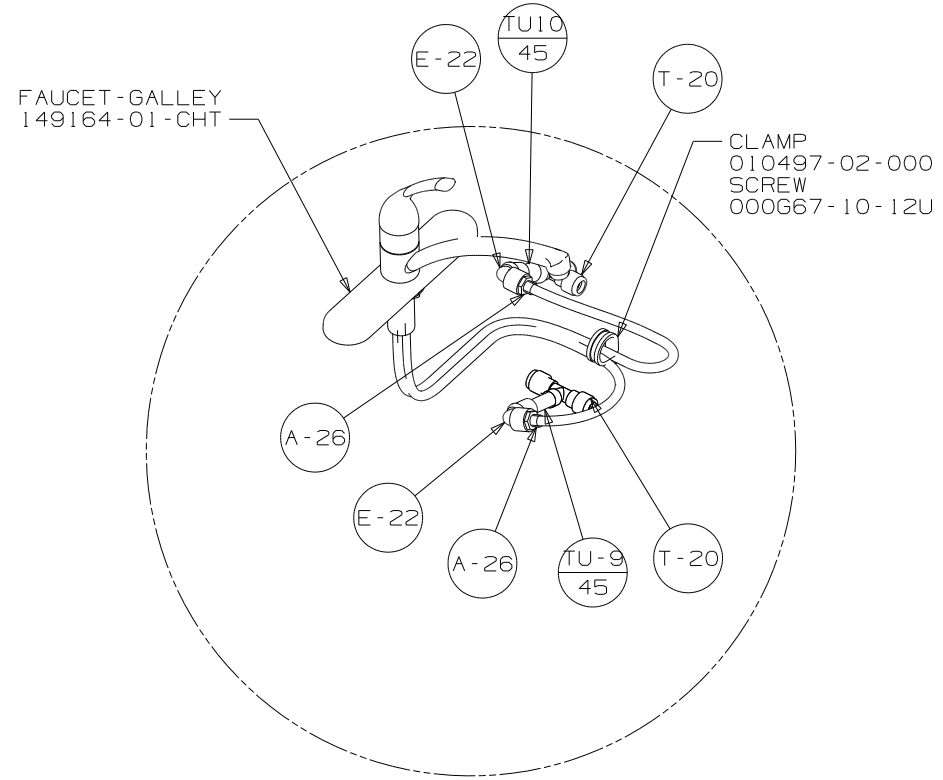


VIEW L

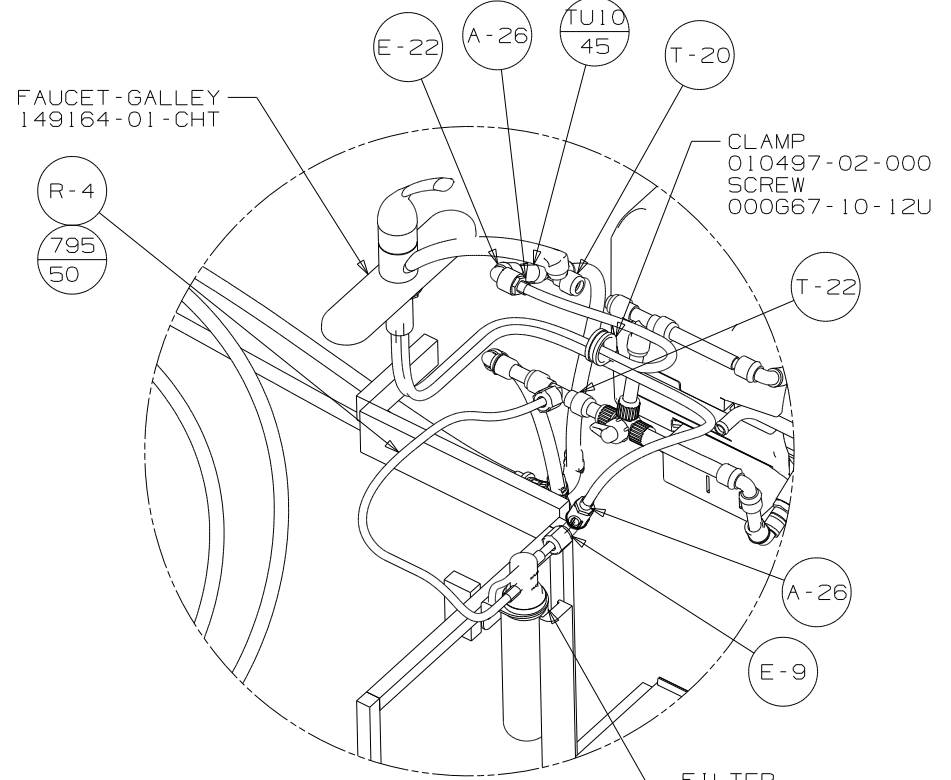
FIRST USED	11 231J
DO NOT SCALE DRAWING	
TITLE:	WATER SYSTEM INSTL
SHEET 5	PART NO 175944 REV



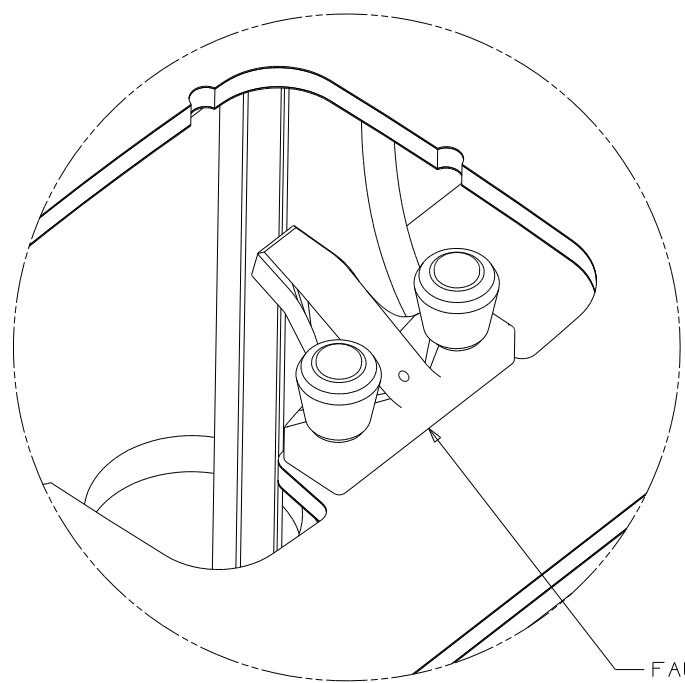
DETAIL P



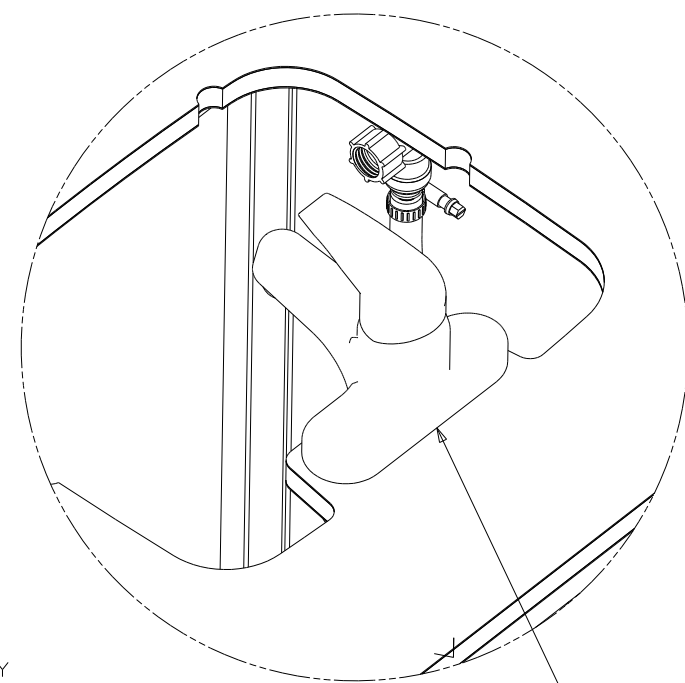
DETAIL P (644)



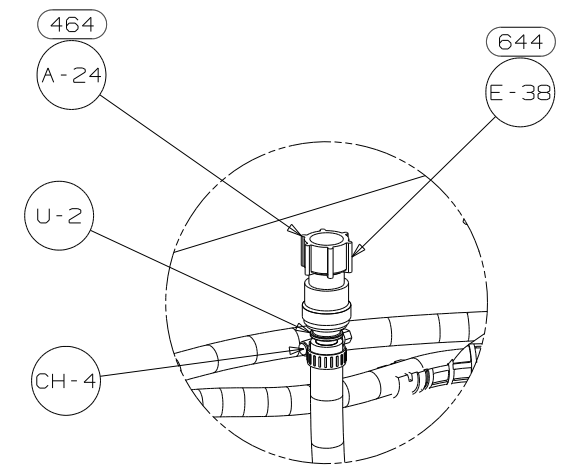
DETAIL R



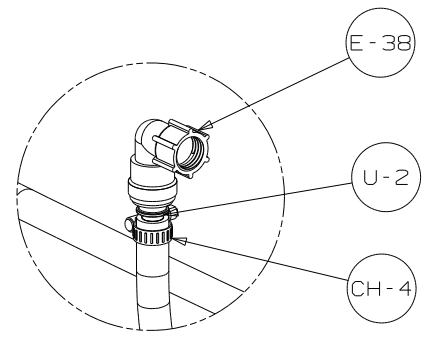
DETAIL S



DETAIL T



DETAIL M



DETAIL N

FIRST USED	11 231J	
TITLE	DO NOT SCALE DRAWING	
	WATER SYSTEM INSTL	
SHEET 6	PART NO 175944	REV