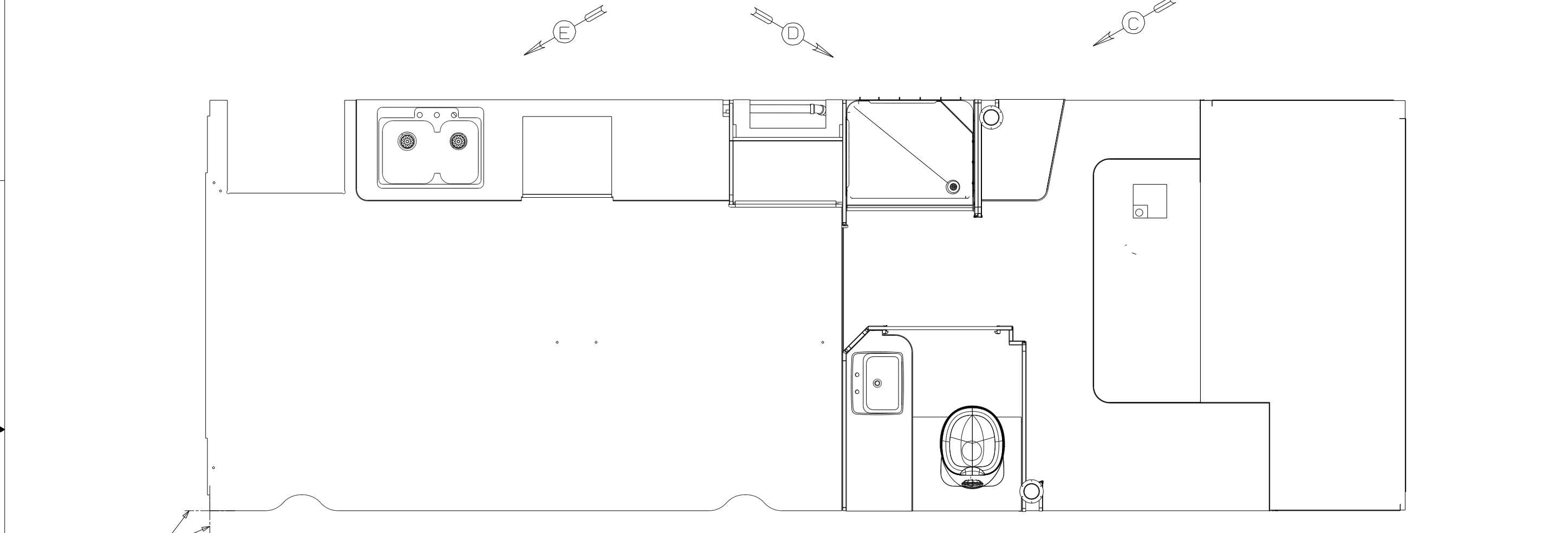


DWG NO	DETAIL	---
174177-01	G	231C
174177-02	H	231CP

RELEASE	REV/DATE	DWG NO
	A	174177
REV ZONE	REVISION RECORD	DATE



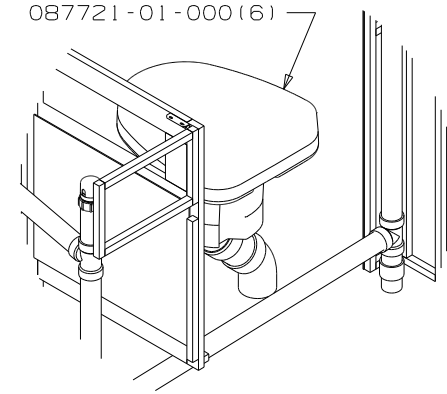
- (43E) TOILET-PORCELAIN-ROUND
- (644) GREAT ALASKAN RENTAL PACKAGE
- (464) TOILET
- (265) CODES/STANDARDS-CSA/CMVSS
- (23T) DRAINAGE SYSTEM-HEATED
- (1B1) CODES/STANDARDS USA
- (086) INTERIOR UPGRADE PACKAGE

- NOTES:
1. SLOPE OF HORIZONTAL PIPING TO BE MINIMUM OF 3 PER 305 mm.
  2. SLOPE OF TRAP ARM MUST BE 6 PER 305 mm.
  3. ALL PIPE AND FITTINGS TO BE ASSEMBLED WITH SOLVENT 004020-01-000 (USA), 004020-02-000 (CAN)
  4. GLUE FITTING AFTER CABINET IS INSTALLED.
  5. SEAL AROUND SHOWER WITH SILICONE.
  6. VENT PIPE MUST PROJECT 51 MIN AND 64 MAX ABOVE ROOF FOR PROPER FIT AND FUNCTION.
  7. SECURE VENT PIPE TO FLOOR WITH CLAMP 062401-02-000 (2), SCREW 000G67-10-12B (2), BRACKET 136878-01-CHT (2).
  8. SECURE DRAINAGE PIPES TO CABINET USING WIRE TIE 108046-02-000, AND SCREW 000G67-10-12B AT INTERVALS OF NOT OF NOT MORE THAN 4 FEET APART.
  9. PREP THE SURFACES PER MANUFACTURES INSTRUCTIONS BEFORE APPLYING THE HEATING PAD.
  10. USE SMOOTH PLUMBERS PUTTY 167459-01-000 TO SEAL STRAINER (0.2 PER STRAINER).

FOR  
DRAINAGE  
CALLOUTS  
SEE DWG NO  
116229-01-000

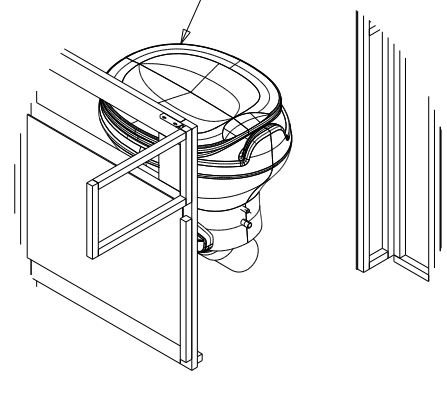
<b>WINNEBAGO</b>		COPYRIGHT 2010 WINNEBAGO INDUSTRIES, INC.	
DFTF	ORIG. DATE	ALL DIMENSIONS ARE IN MILLIMETERS	
CHKR		FIRST USED	
P.E.		11 231C/CP	
M.E.		UNSPECIFIED TOLERANCES ARE:	
DSNR		MATERIAL:	
		WHOLE DIM (X)	: 3
		ONE-PLACE (X.X)	: 1.5
		TWO-PLACE (X.XX)	: 0.50
		ANGLE	: 1°
		THIRD ANGLE PROJECTION	
DO NOT SCALE DRAWING		REFER TO ES0018 FOR FASTENER TIGHTENING GUIDELINES	
TITLE: DRAINAGE SYSTEM INSTL			
SHEET 1 OF 5	PART NO	174177	REV
REF:	12/20/2010		

TOILET  
147421-05-CHT  
160815-02-CHT  
SCREW  
087721-01-000 (6)



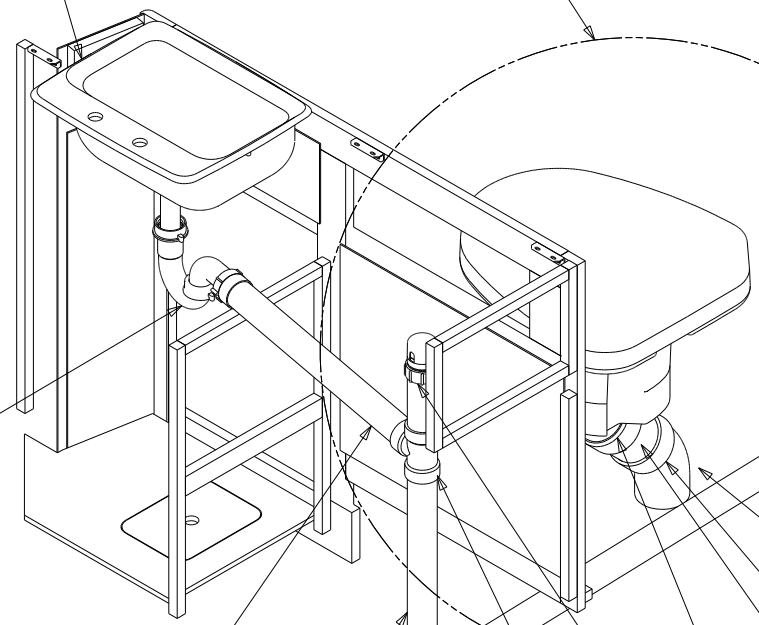
DETAIL G

TOILET  
160815-04-CHT  
SCREW  
087721-01-000 (6)



DETAIL H

SINK  
096927-01-CHT  
SEAL  
091255-02-000 (A/R)



DETAIL G OR H  
(SEE TAB)

(IB1) P-1  
(265) P-3  
(IB1) A-15

(1/600) (1/500)  
(265) (IB1)

(1/360)

E-6

(1/915)

T-1

VM-1

(2/145)

FLANGE-CLOSET  
151541-01-000

VIEW A

CP-2 (6)

(1/1940)

T-1

(1/65)

C-3

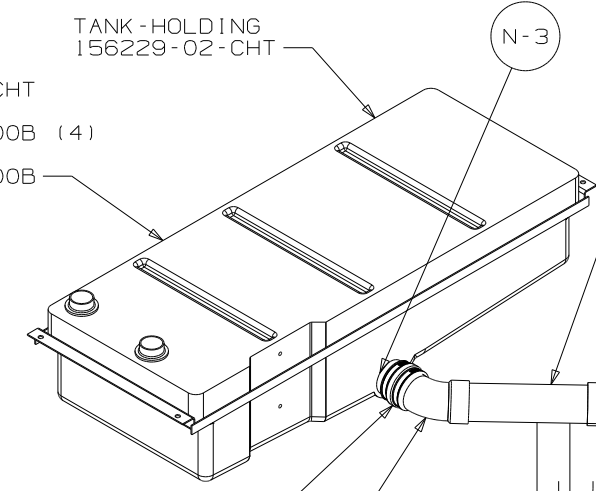
G-1 (7)

(1/55)

G-2

E-10

CRADLE ASM  
156612-02-CHT  
WASHER  
000E13-16-00B (4)  
NUT  
000D39-05-00B



TANK-HOLDING  
156229-02-CHT

N-3

(2/340)

(2/75)

E-9

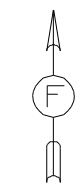
HANGER-STRAP  
140220-19-CHT  
BOLT  
000C18-05-40A  
NUT  
000D39-05-00B  
HOLDER-RING  
141443-05-CHT  
BOLT  
000C26-05-16B  
NUT  
000D39-05-00B

C-2

E-10

(4) (23T) PAD-HEATER, ELBOW  
133972-05-000

VALVE  
129147-01-000

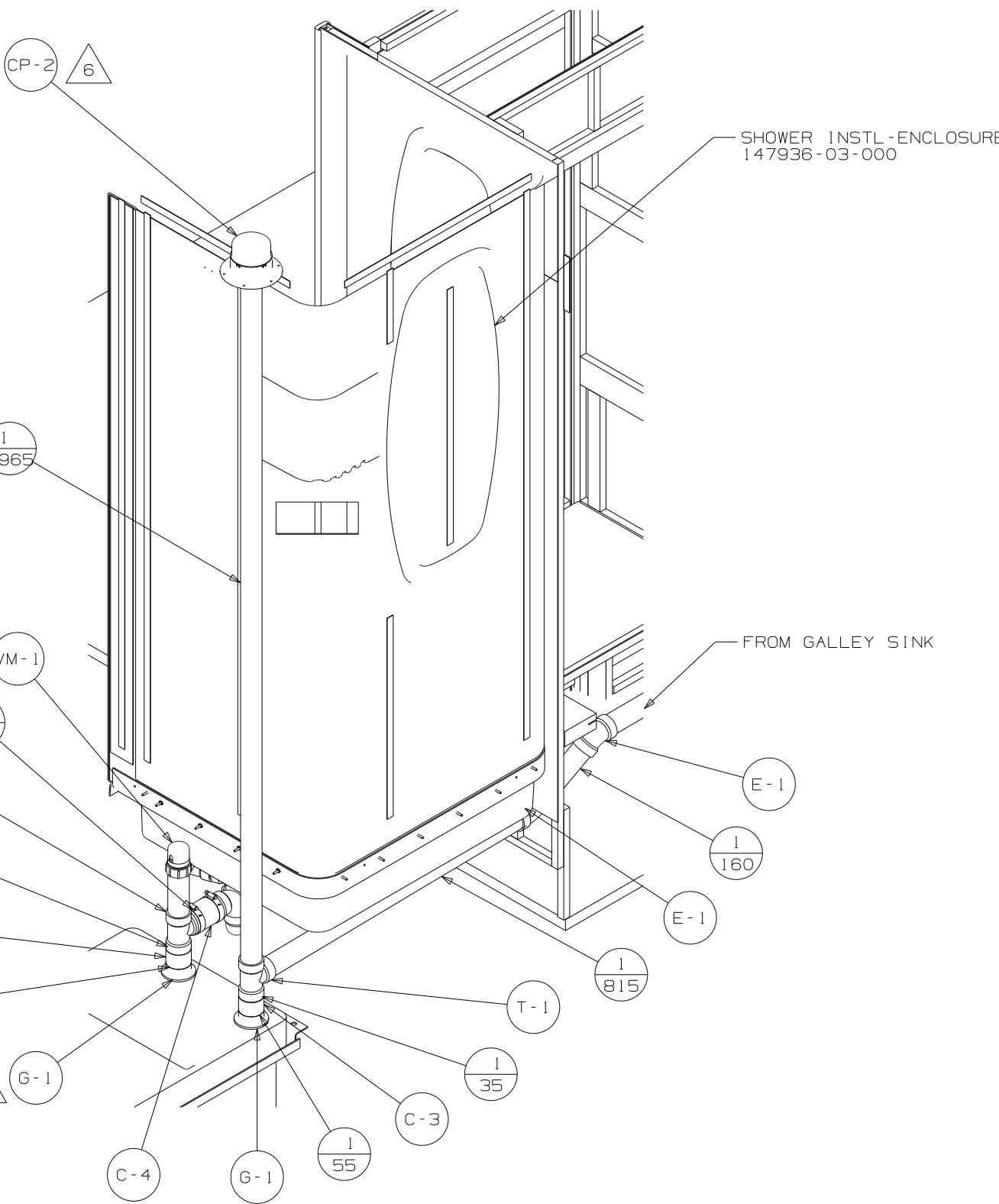


VIEW B

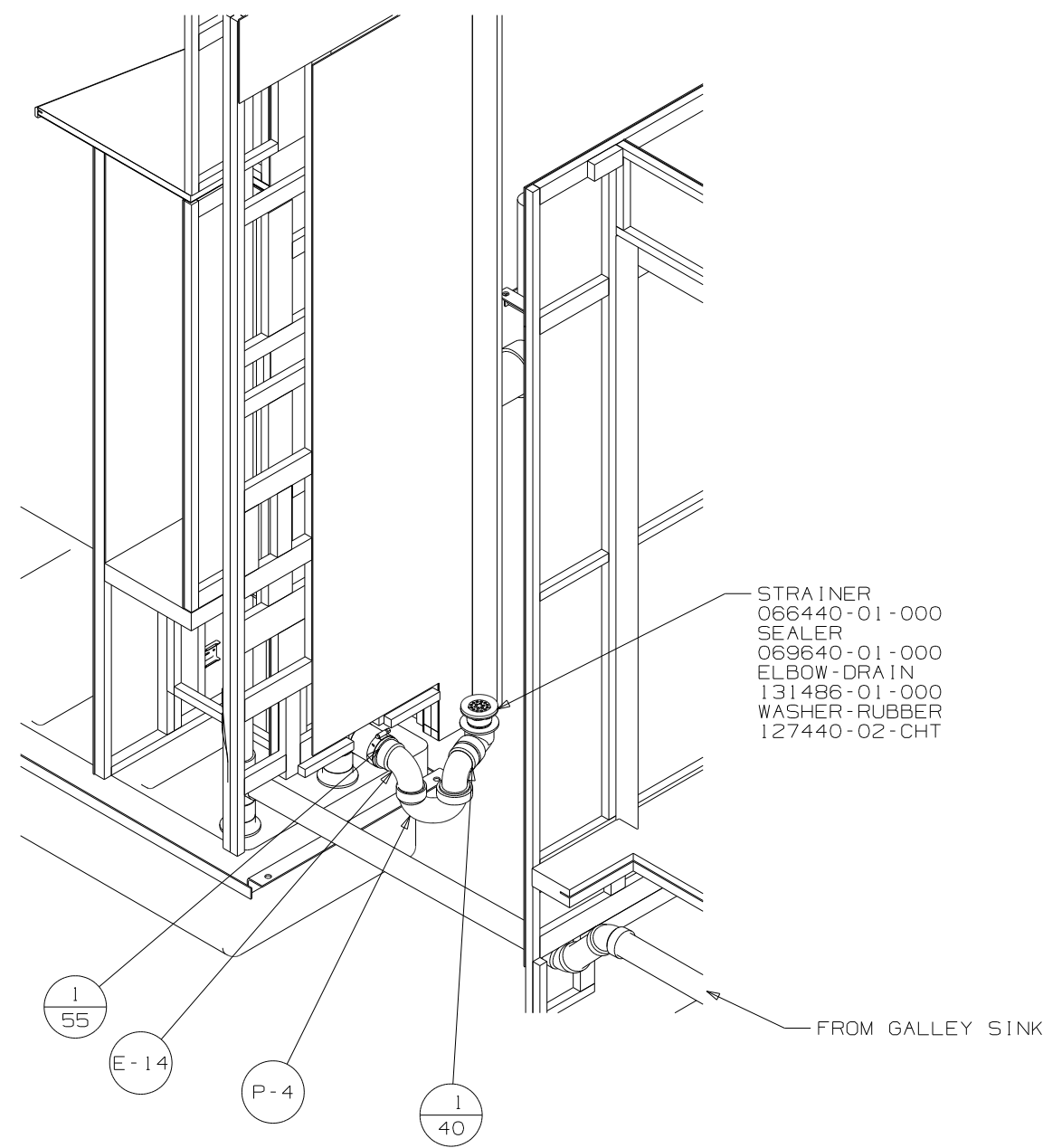
CRADLE ASM  
156612-03-CHT  
WASHER  
000E13-16-00B (4)  
NUT  
000D39-05-00B

TANK-HOLDING  
156228-02-CHT

FIRST USED	11 231C/CP
TITLE	DO NOT SCALE DRAWING
TITLE	DRAINAGE SYSTEM INSTL
SHEET 2	PART NO 174177 REV

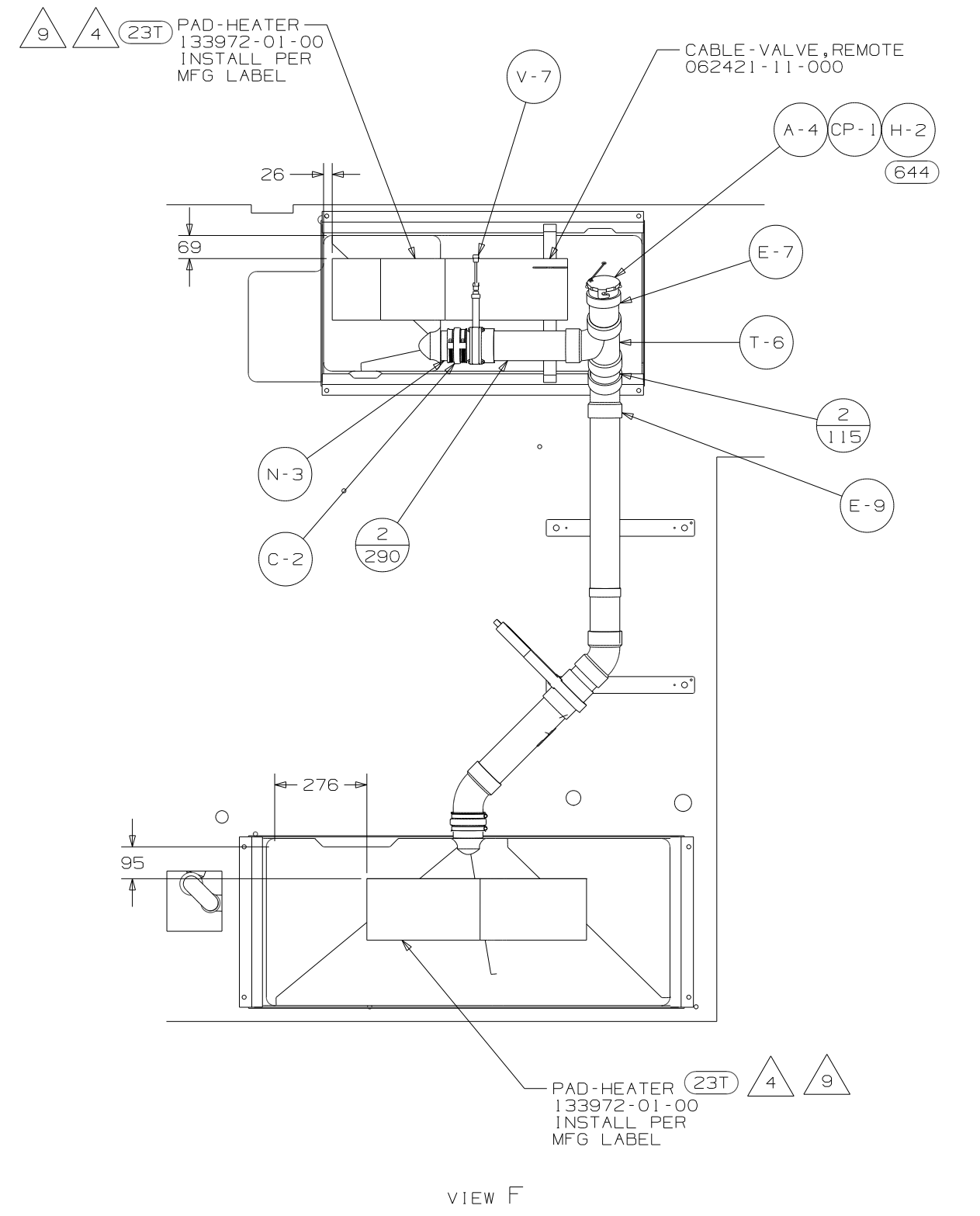
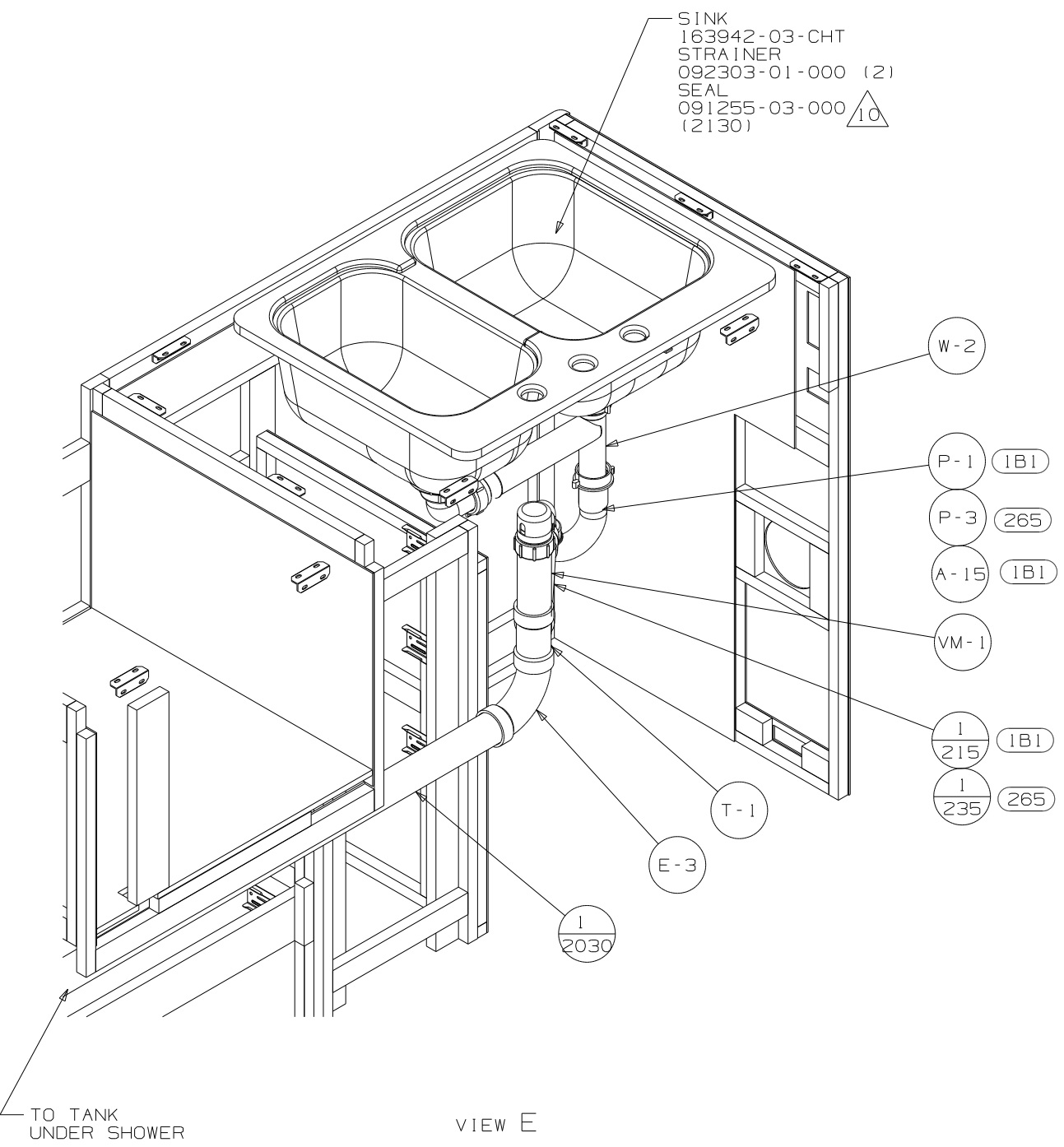


VIEW C



VIEW D

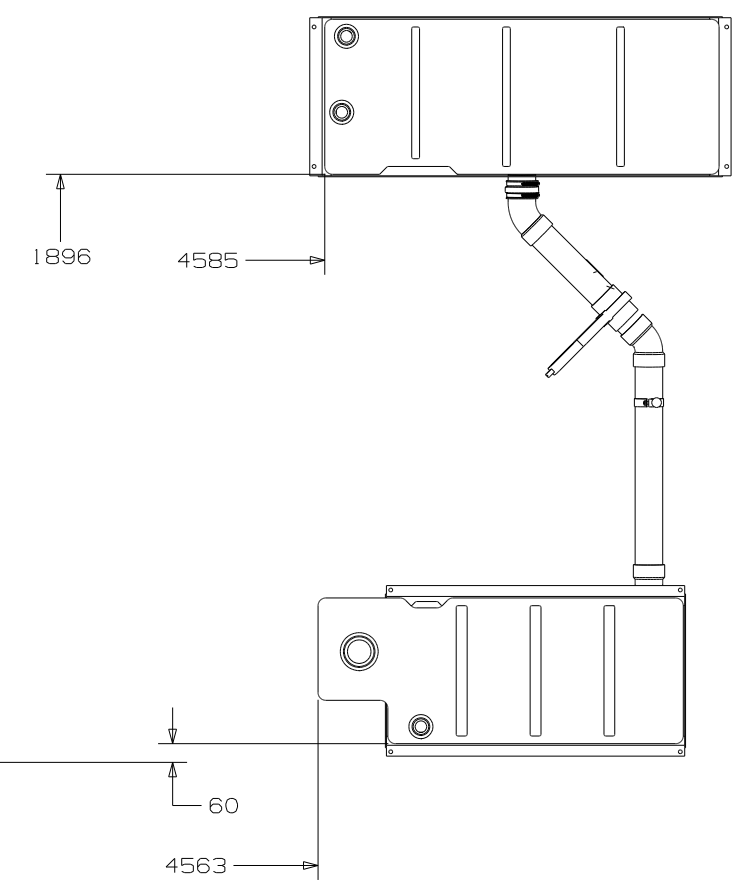
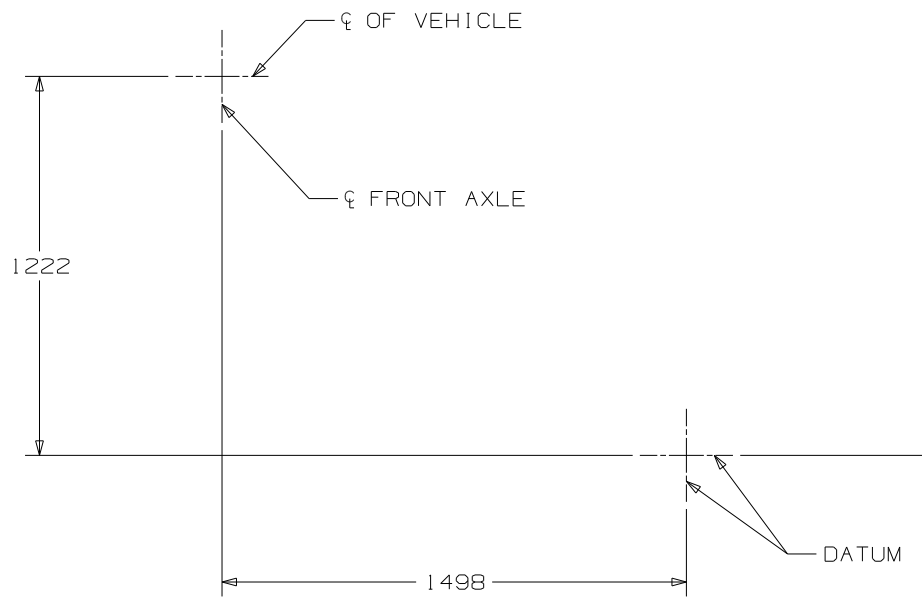
FIRST USED	11 231C/CP		
TITLE	DO NOT SCALE DRAWING		
	DRAINAGE SYSTEM INSTL		
SHEET 3	PART NO	174177	REV



- W-2
- P-1 (1B1)
- P-3 (265)
- A-15 (1B1)
- VM-1
- 1/215 (1B1)
- 1/235 (265)
- T-1
- E-3
- 1/2030

- A-4 CP-1 H-2 (644)
- E-7
- T-6
- 2/115
- E-9
- N-3
- C-2
- 2/290

FIRST USED	11 231C/CP
TITLE	DO NOT SCALE DRAWING
SHEET 4	PART NO 174177 REV
12/20/2010	

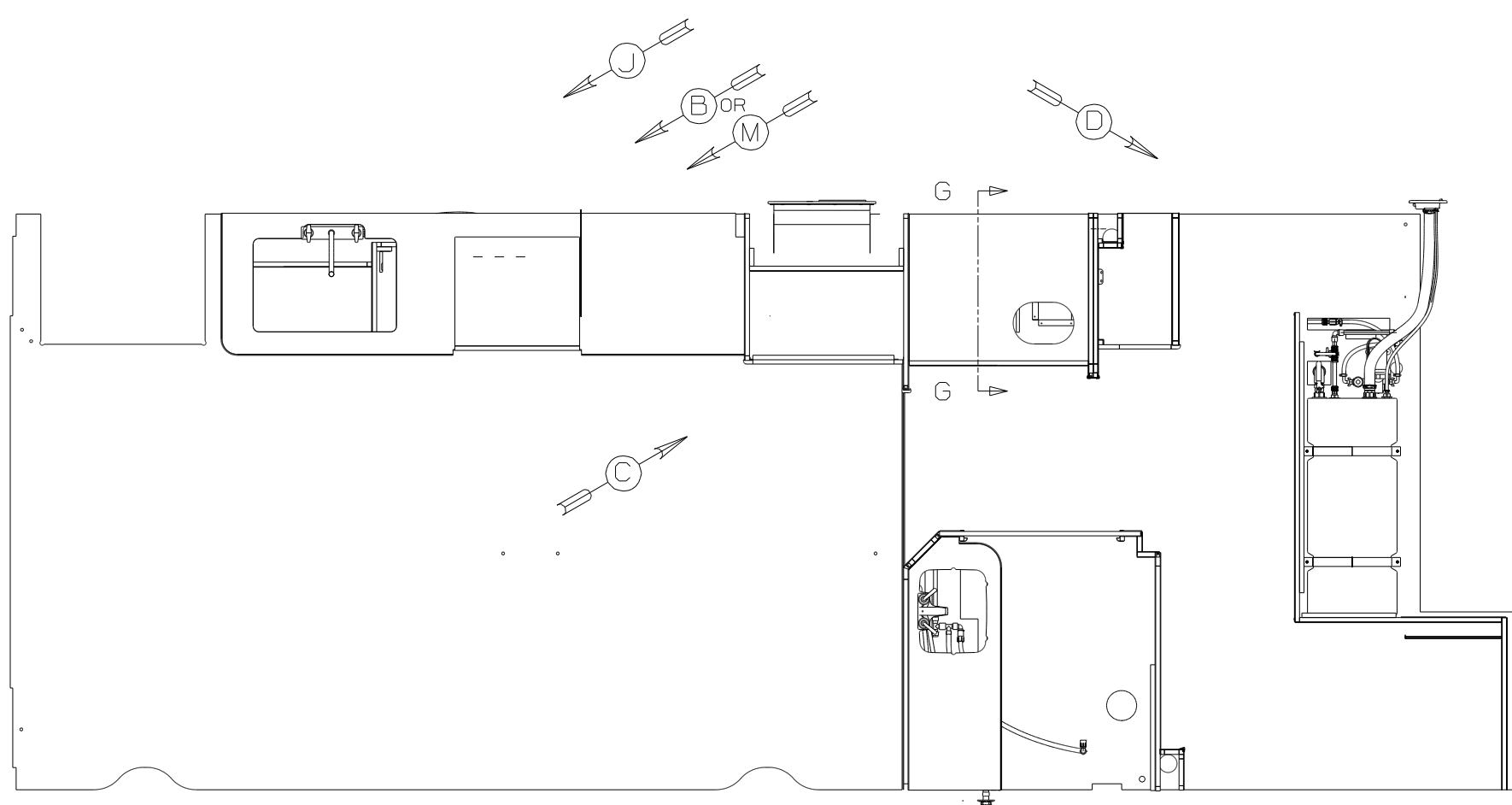


TOP VIEW SHOWING TANK LOCATION

FIRST USED	11 231C/CP	
TITLE:	DO NOT SCALE DRAWING	
	DRAINAGE SYSTEM INSTL	
SHEET 5	PART NO 174177	REV

DWG NO	VIEW	MODEL
173810-01	A,B	231C
173810-02	J,K,L,M	231CP

RELEASE	REV DATE	DWG NO
A		173810
REV ZONE	REVISION RECORD	DATE

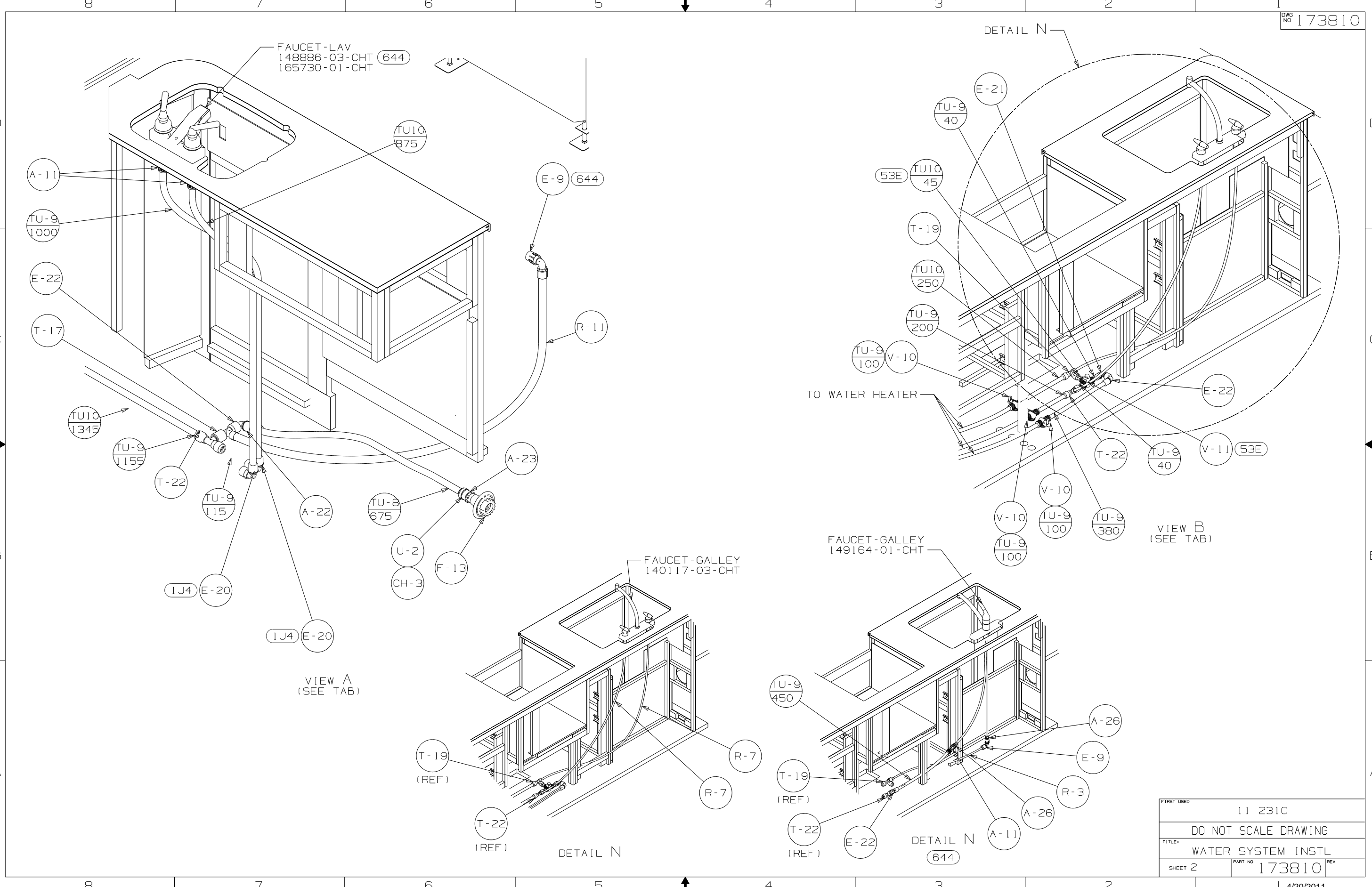


- 12. INSTALL BYPASS PLUG FOR SYSTEM TESTING AND SHIPPING.
- 11. ATTACH WASHER-PLASTIC 087080-13-CHT W/TAPE-DOUBLE 123816-03 ON BOTTOM SIDE OF FLOOR.
- 10. ATTACH WASHER-PLASTIC 087080-11-CHT W/TAPE-DOUBLE 123816-03 ON BOTTOM SIDE OF COMPARTMENT.
- 9. LABEL THE HOT AND COLD SUPPLY RISER TUBES AND TAPE FITTING TO TUBE BEFORE CABINET SET TO PREVENT MOVEMENT.
- 8. NOT REQUIRED W/ (644) FEATURE.
- 7. ADD PIPE WRAP (LADDER SCRAP 110157-02-000) INSULATION.
- 6. ADD TEFLON TAPE 010405-03-000.
- 5. ADD TEFLON TAPE 010405-02-000.
- 4. ADD TEFLON TAPE 010405-01-000.
- 3. ALL TUBING TO BE SECURED AT 1200 INTERVALS MAXIMUM WITH CLAMP 010495-01-000 AND SCREW 000667-10-12B OR EQUIVALENT.
- 2. TUBING TO BE INSTALLED WITH SUFFICIENT SLOPE TO PROVIDE DRAINAGE TO NEAREST VALVE OR TANK.
- 1. PLASTIC FITTINGS TO BE SEALED WITH SEALANT 084456-01-000.

- (64R) EXTERIOR WASH STATION
- (53Z) WTR HTR-6GAL/110/LP/MTR/AUTO
- (1J4) EXT WASH STATION - WITHOUT
- (53F) WATER HEATER-ELEC. IGNITION
- (53E) WATER SYS WINTERIZATION PKG
- (644) GREAT ALASKAN RENTAL PACKAGE

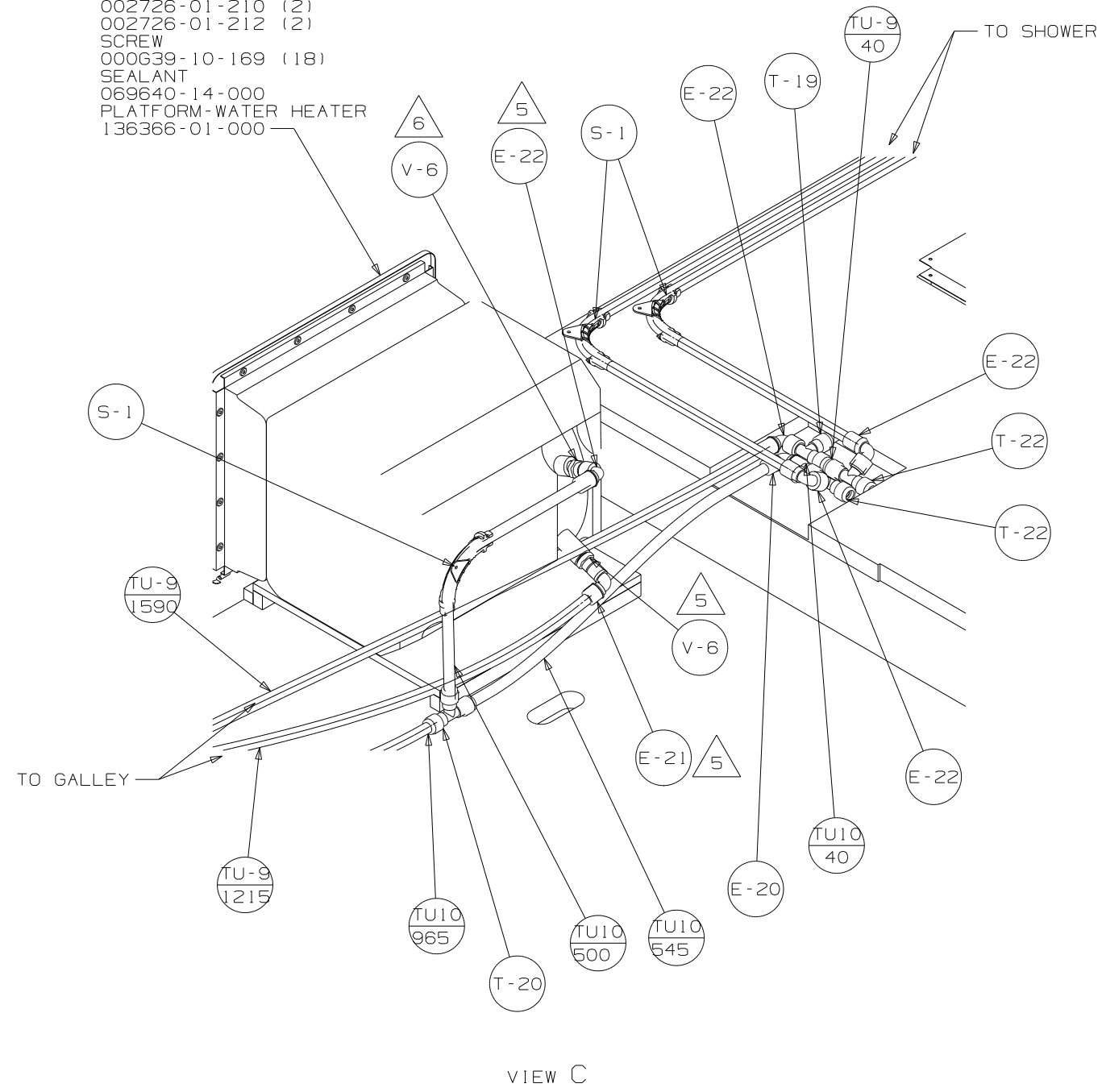
<b>WINNEBAGO</b>		COPYRIGHT 2011 WINNEBAGO INDUSTRIES, INC.	
DFT	ORIG. DATE	ALL DIMENSIONS ARE IN MILLIMETERS	
CHKR		11 231C	
P.E.	FIRST USED		
M.E.			
DSNR			
UNSPECIFIED TOLERANCES ARE:		MATERIAL:	
WHOLE DIM (X)	: 3		
ONE-PLACE (X.X)	: 1.5		
TWO-PLACE (X.XX)	: 0.50		
ANGLE	: 1°		
THIRD ANGLE PROJECTION			
DO NOT SCALE DRAWING	REFER TO ES0018 FOR FASTENER TIGHTENING GUIDELINES		
TITLE: WATER SYSTEM INSTL			
SHEET 1 OF 7	PART NO	173810	REV

FOR  
WATER  
CALLOUTS  
SEE DWG NO  
116230-01-000

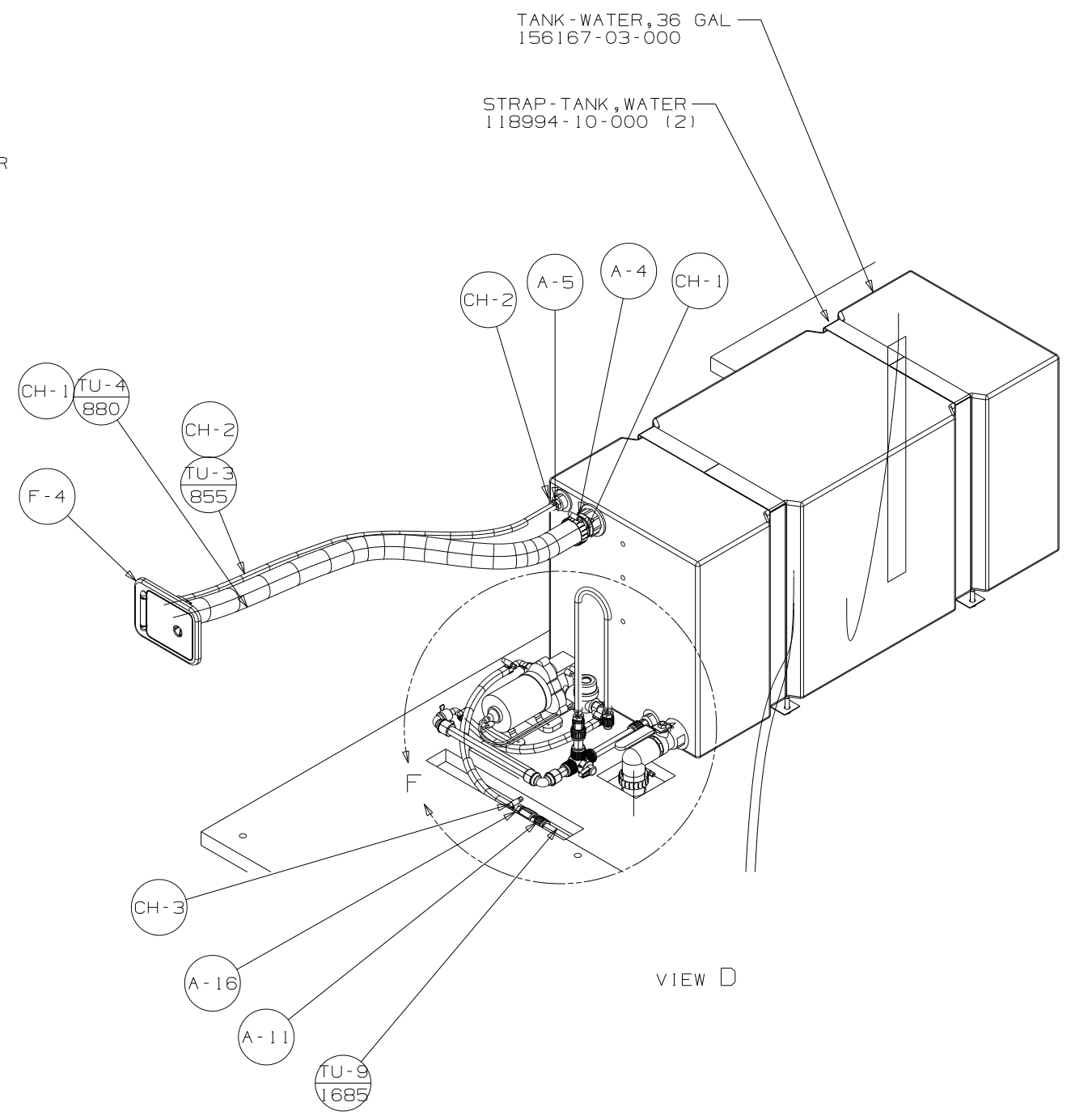


FIRST USED	11 231C
TITLE	DO NOT SCALE DRAWING
TITLE	WATER SYSTEM INSTL
SHEET 2	PART NO 173810 REV

- WATER-HEATER  
051391-03-000 (53F)
- DOOR  
125420-06-CHT
- AL EXTR  
002726-01-210 (2)
- 002726-01-212 (2)
- SCREW  
000639-10-169 (18)
- SEALANT  
069640-14-000
- PLATFORM-WATER HEATER  
136366-01-000



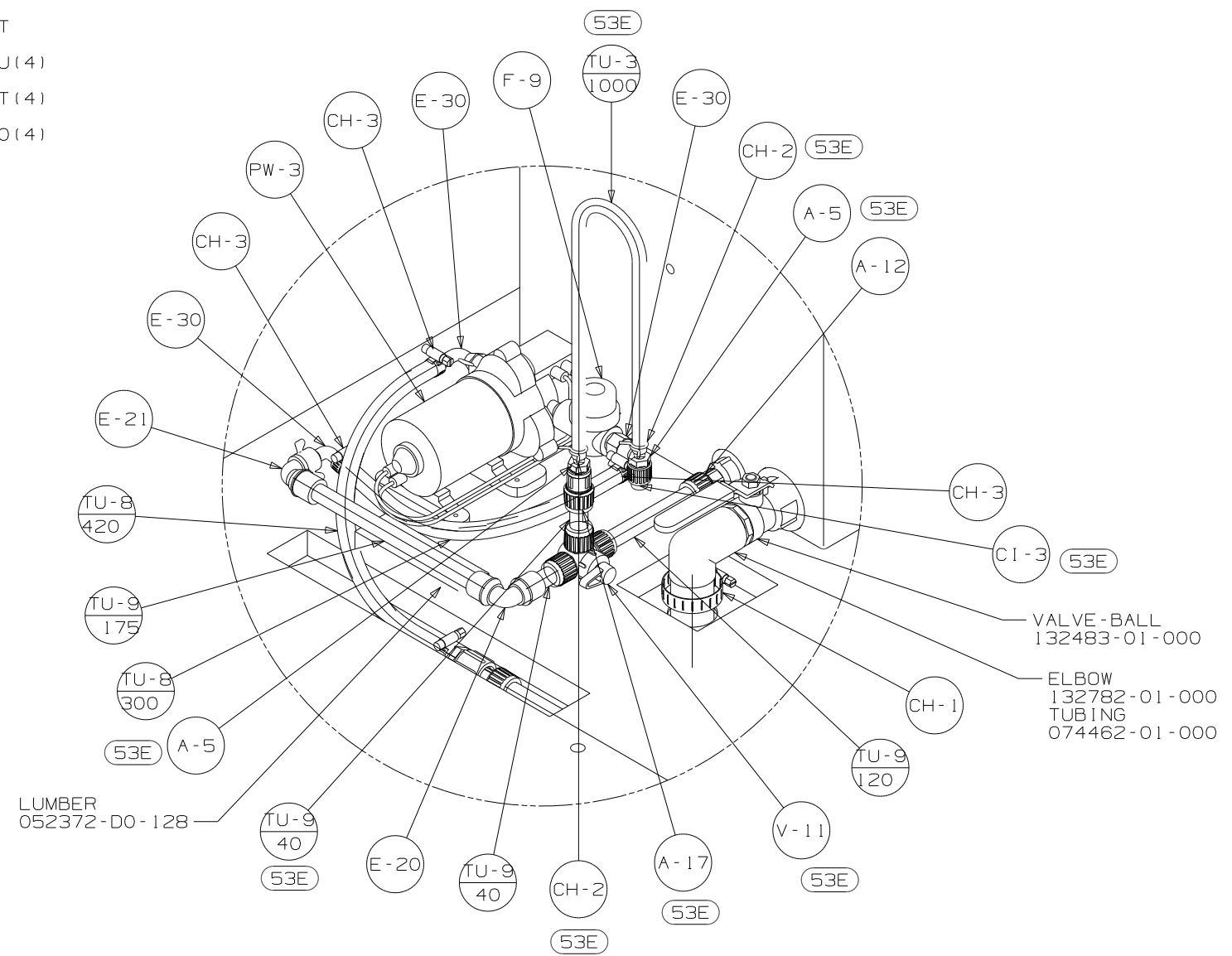
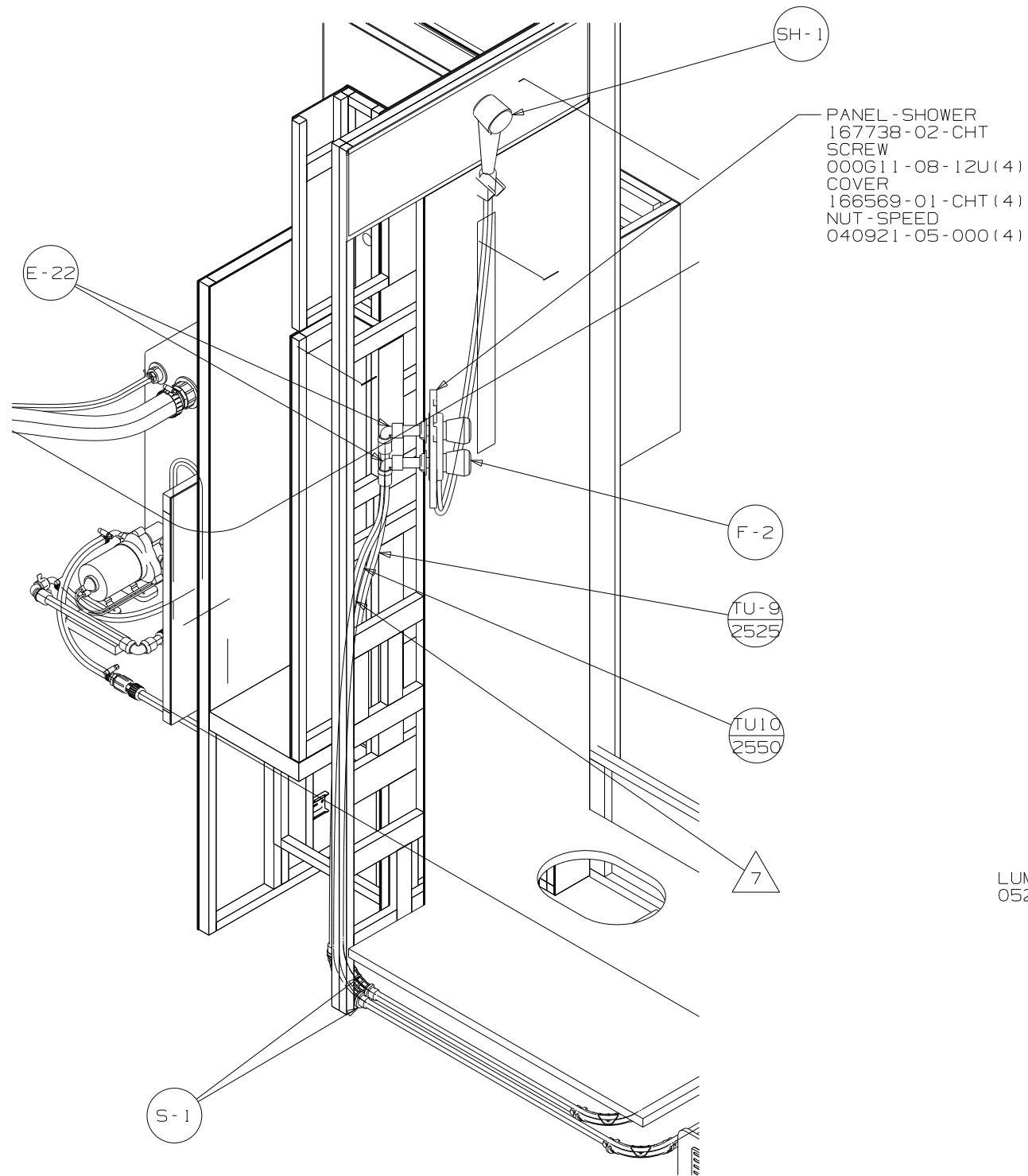
VIEW C



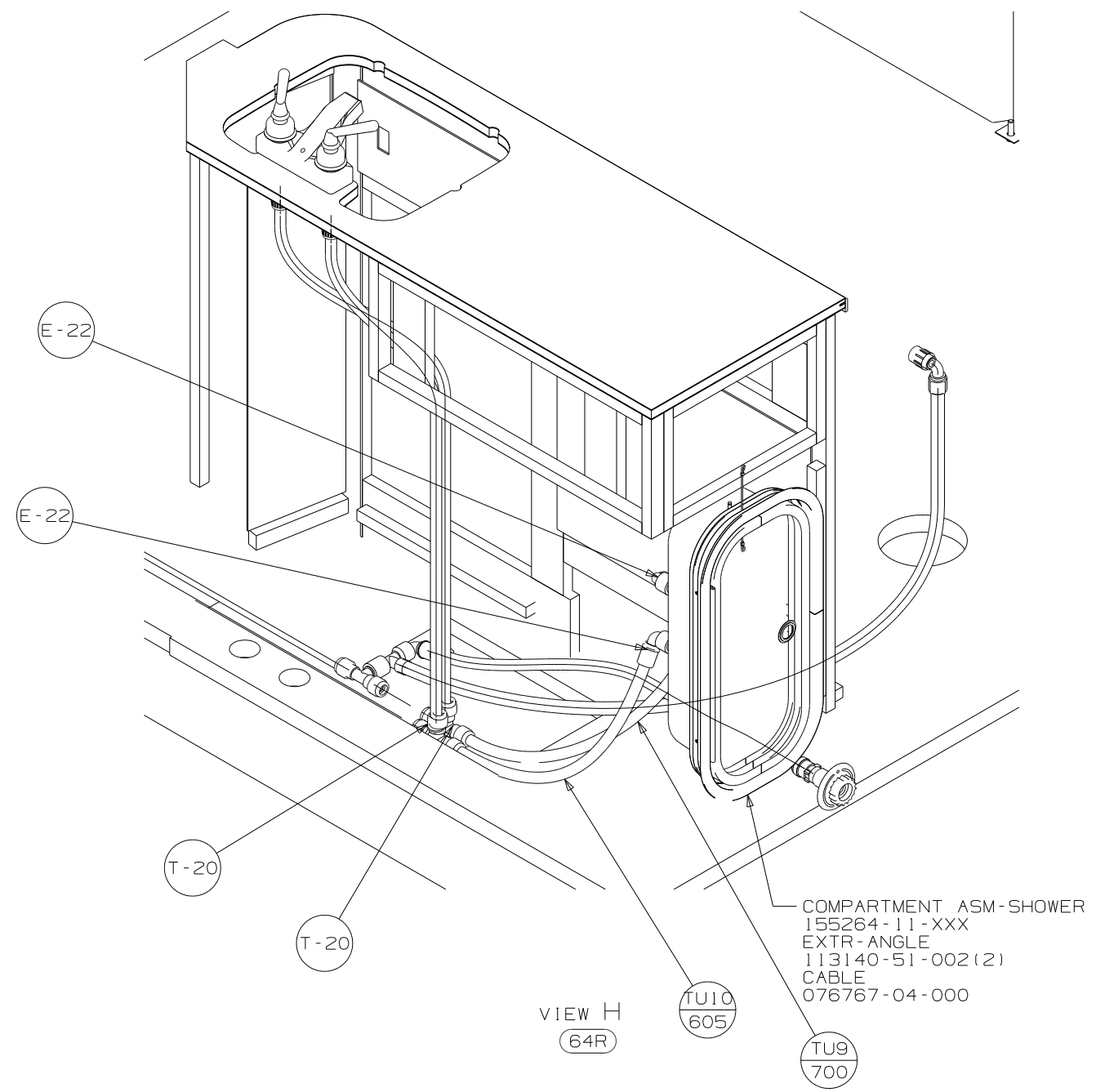
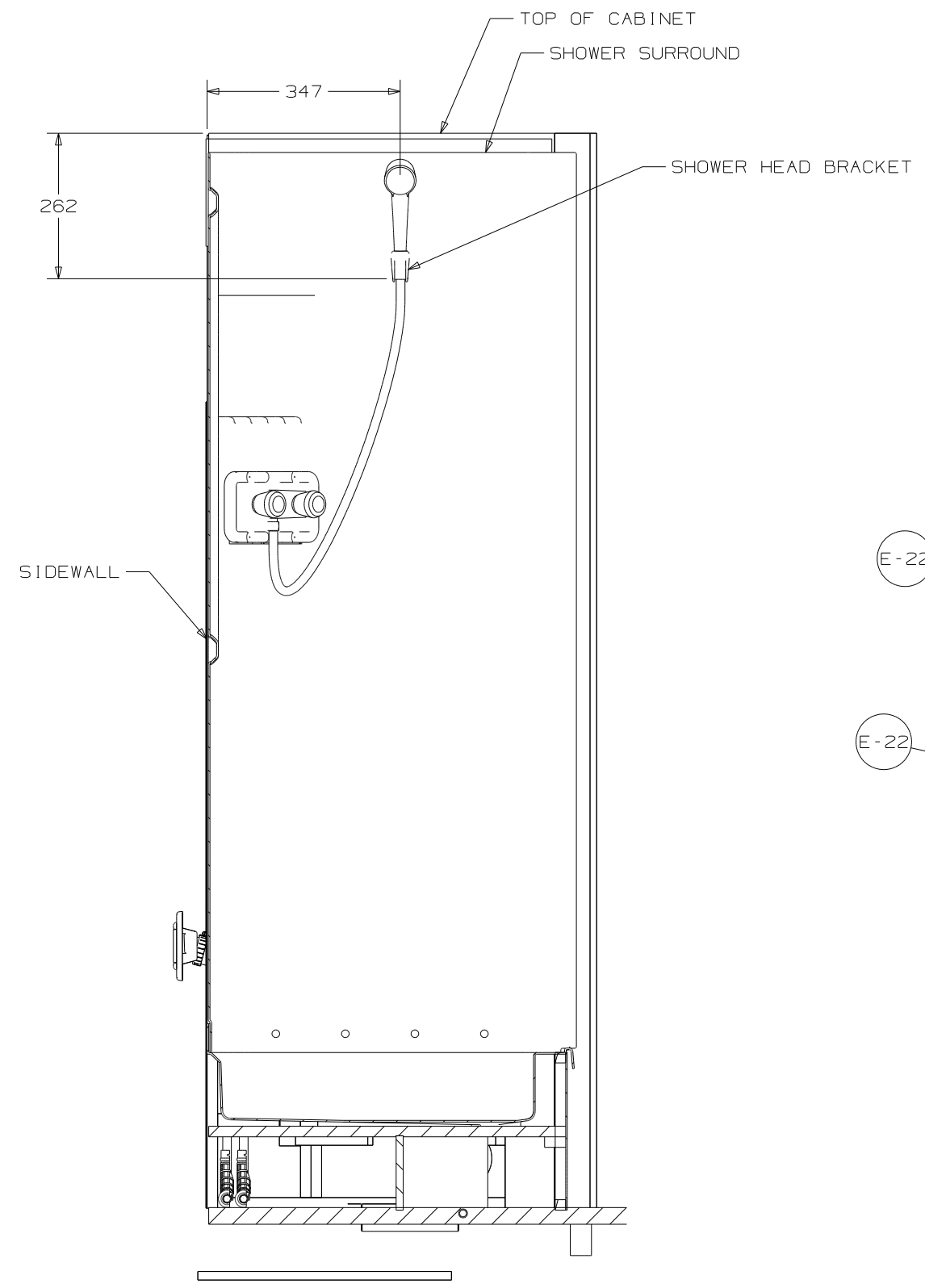
VIEW D

FIRST USED	11 231C		
TITLE	DO NOT SCALE DRAWING		
SHEET 3	PART NO	173810	REV

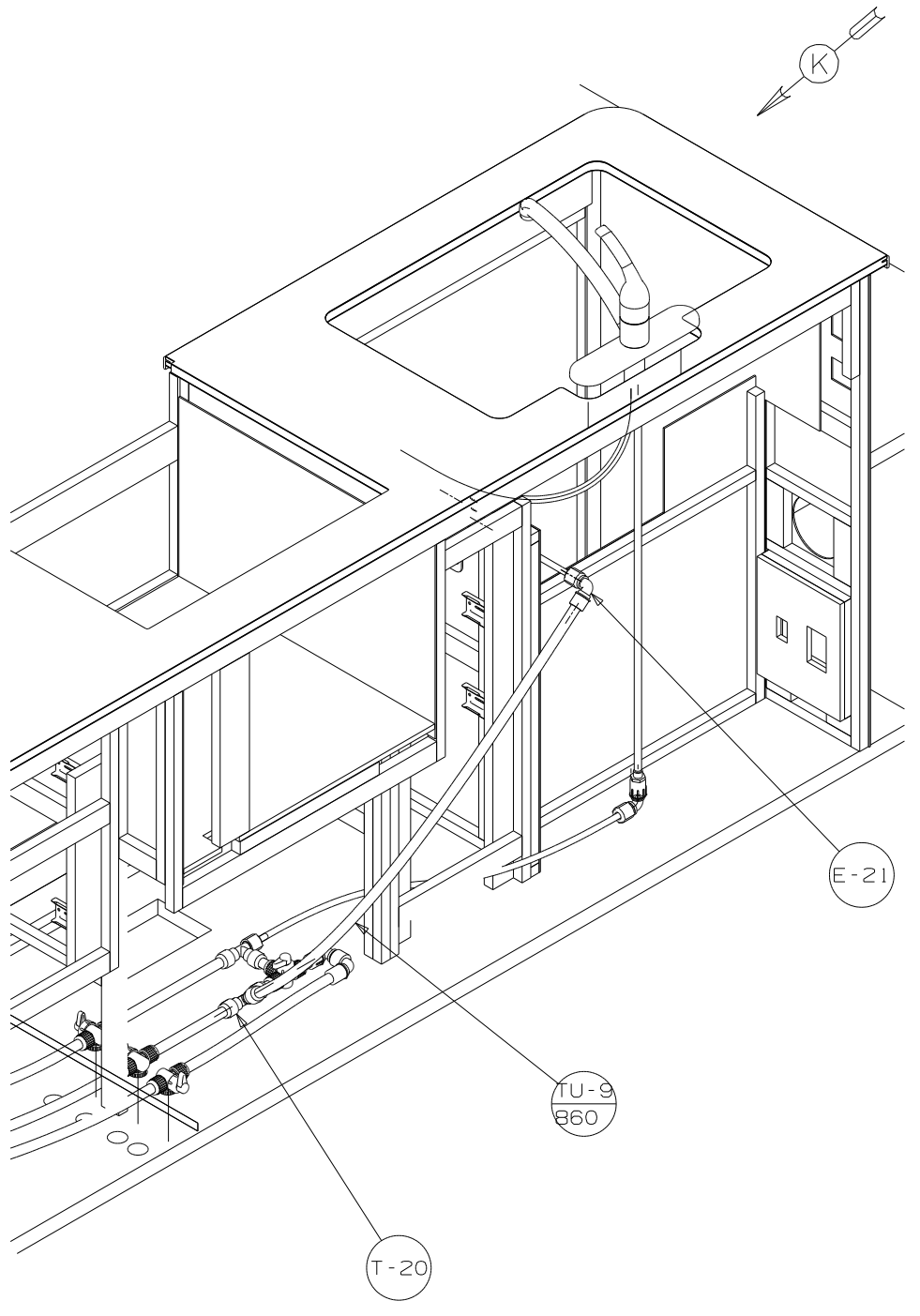




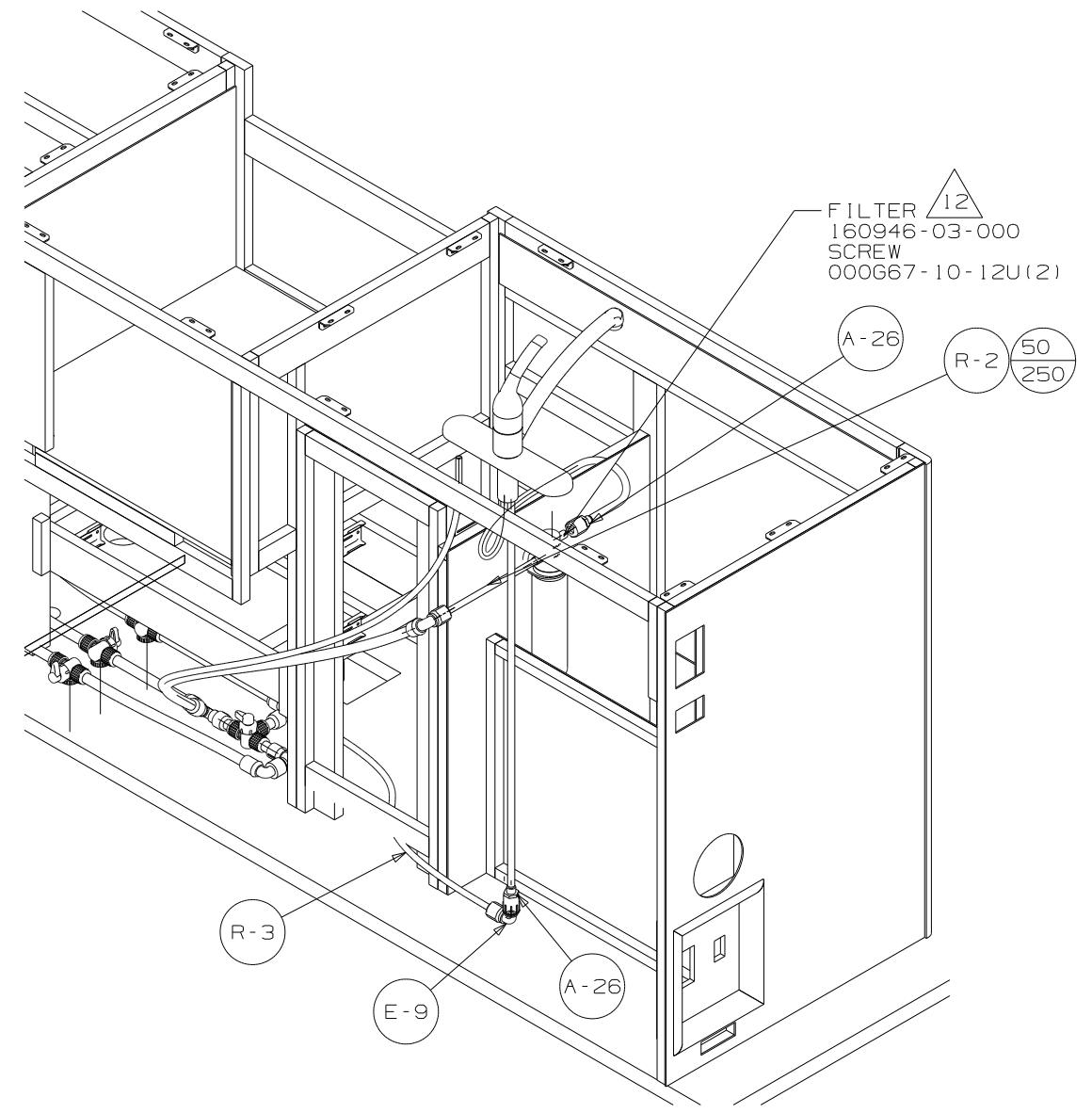
FIRST USED	11 231C		
TITLE	DO NOT SCALE DRAWING		
TITLE	WATER SYSTEM INSTL		
SHEET 4	PART NO	173810	REV
			1 4/20/2011



FIRST USED	11 231C	
TITLE:	DO NOT SCALE DRAWING	
SHEET 5	PART NO 173810	REV



VIEW J  
(SEE TAB)

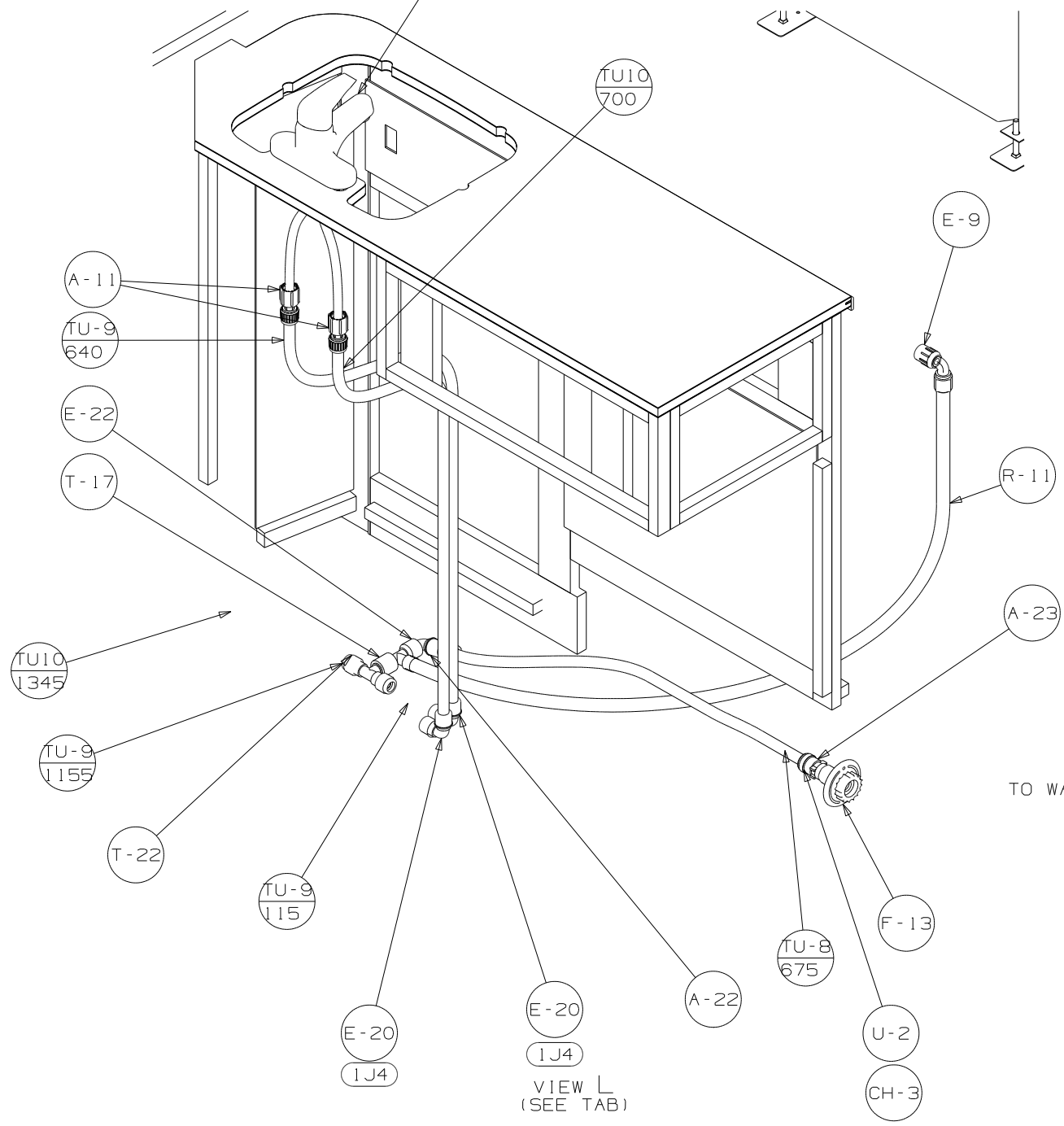


VIEW K  
(SEE TAB)

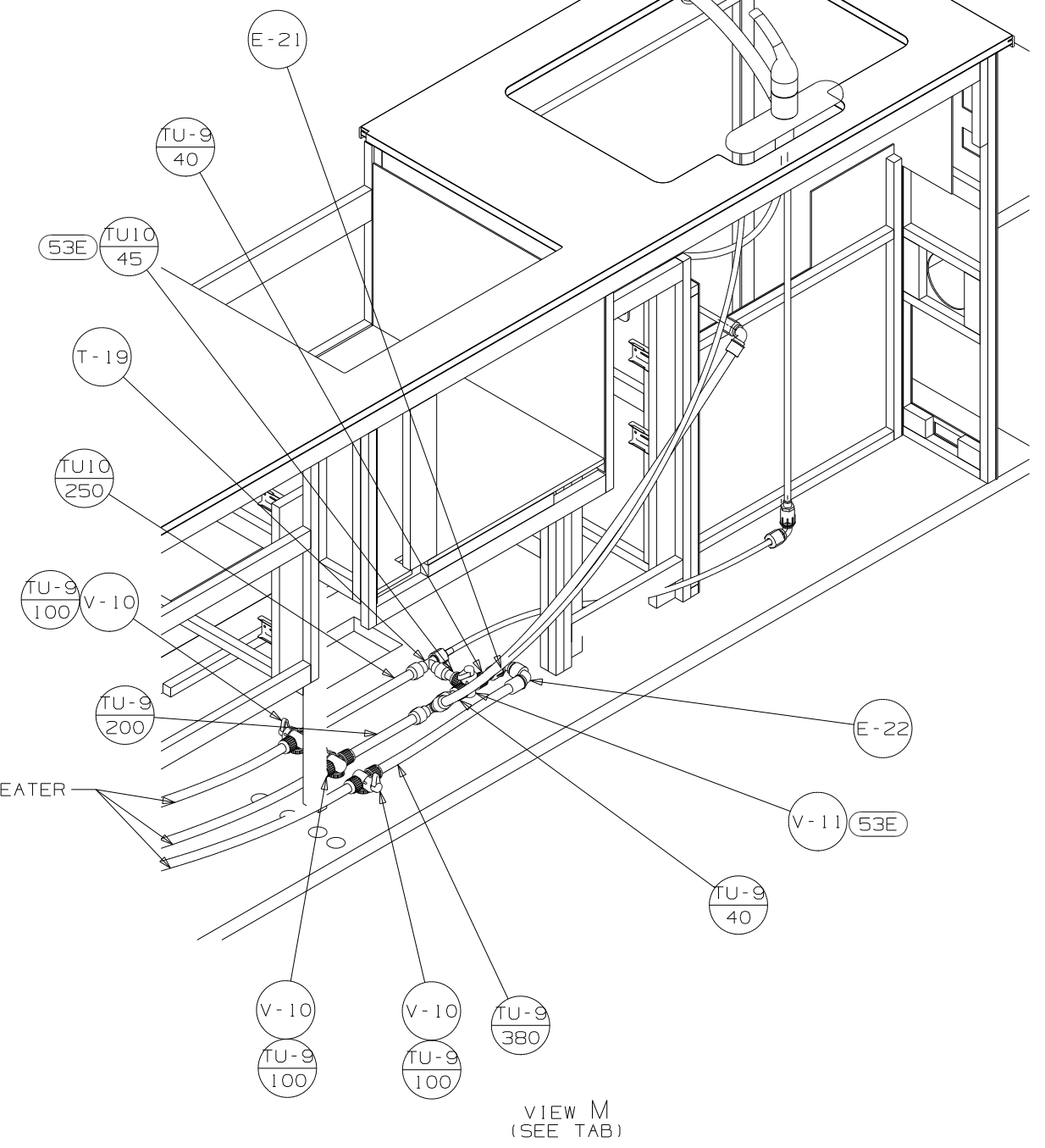
FIRST USED	11 231C		
TITLE	DO NOT SCALE DRAWING		
	WATER SYSTEM INSTL		
SHEET 6	PART NO	173810	REV

FAUCET - GALLEY  
149164-01-CHT

FAUCET - LAV  
165730-01-CHT



TO WATER HEATER



FIRST USED	11 231CP		
TITLE	DO NOT SCALE DRAWING		
TITLE	WATER SYSTEM INSTL		
SHEET 7	PART NO	173810	REV