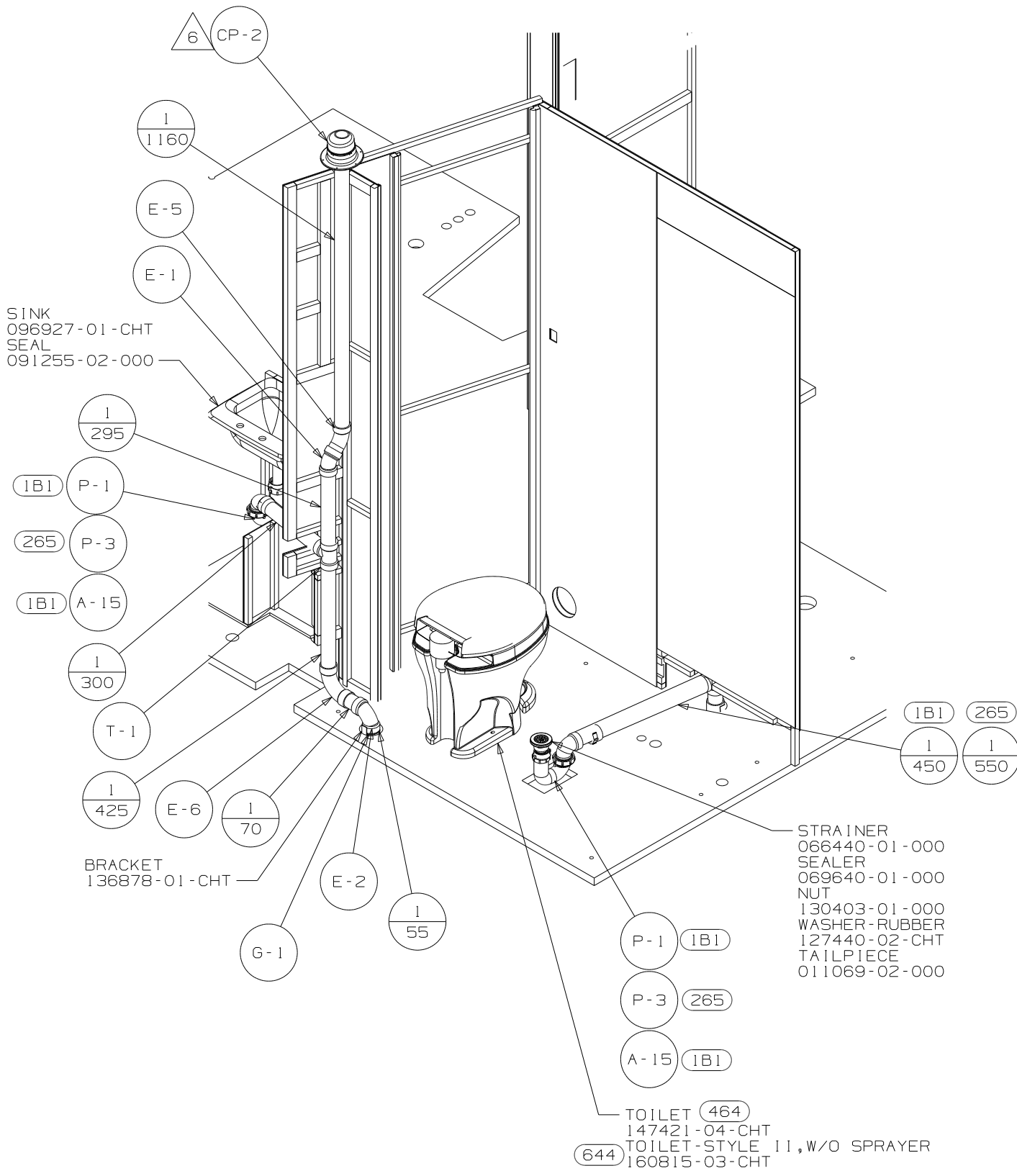


- NOTES:
1. SLOPE OF HORIZONTAL PIPING TO BE MINIMUM OF 3 PER 305 mm.
 2. SLOPE OF TRAP ARM MUST BE 6 PER 305 mm.
 3. ALL PIPE AND FITTINGS TO BE ASSEMBLED WITH SOLVENT 004020-01-000 (USA), 004020-02-000 (CAN)
 4. SEE WIRING INSTL-BODY FOR ELECTRICAL CONNECTION.
 5. SEAL AROUND SHOWER WITH SILICONE.
 6. VENT PIPE MUST PROJECT 51 MIN AND 64 MAX ABOVE ROOF FOR PROPER FIT AND FUNCTION. ADD S-1 (116666-01-CHT SEAL-VENT PIPE) AROUND PIPE ON ROOF BEFORE VENT CAP IS INSTALLED.
 7. SECURE VENT PIPE TO FLOOR WITH CLAMP 062401-02-000 (2), SCREW 000667-10-12B (2), BRACKET 136878-01-CHT (2).
 8. SECURE DRAINAGE PIPES TO CABINET USING WIRE TIE 108046-02-000, AND SCREW 000667-10-12B AT INTERVALS OF NOT MORE THAN 4 FEET APART.
 9. SEE DRAWING 061607-0-000 FOR INSTALLATION OF GROMMETS.
 10. PREP THE SURFACE PER MANUFACTURERS INSTRUCTIONS BEFORE APPLYING THE HEATING PAD.
 11. USE SMOOTH PLUMBERS PUTTY 167459-01-000 TO SEAL STRAINER (0.2 PER STRAINER).

- 644 GREAT ALASKAN RENTAL PACKAGE
- 1B1 CODES/STANDARDS USA
- 265 CODES/STANDARDS-CSA/CMVSS
- 23T DRAINAGE SYSTEM-HEATED
- 464 TOILET

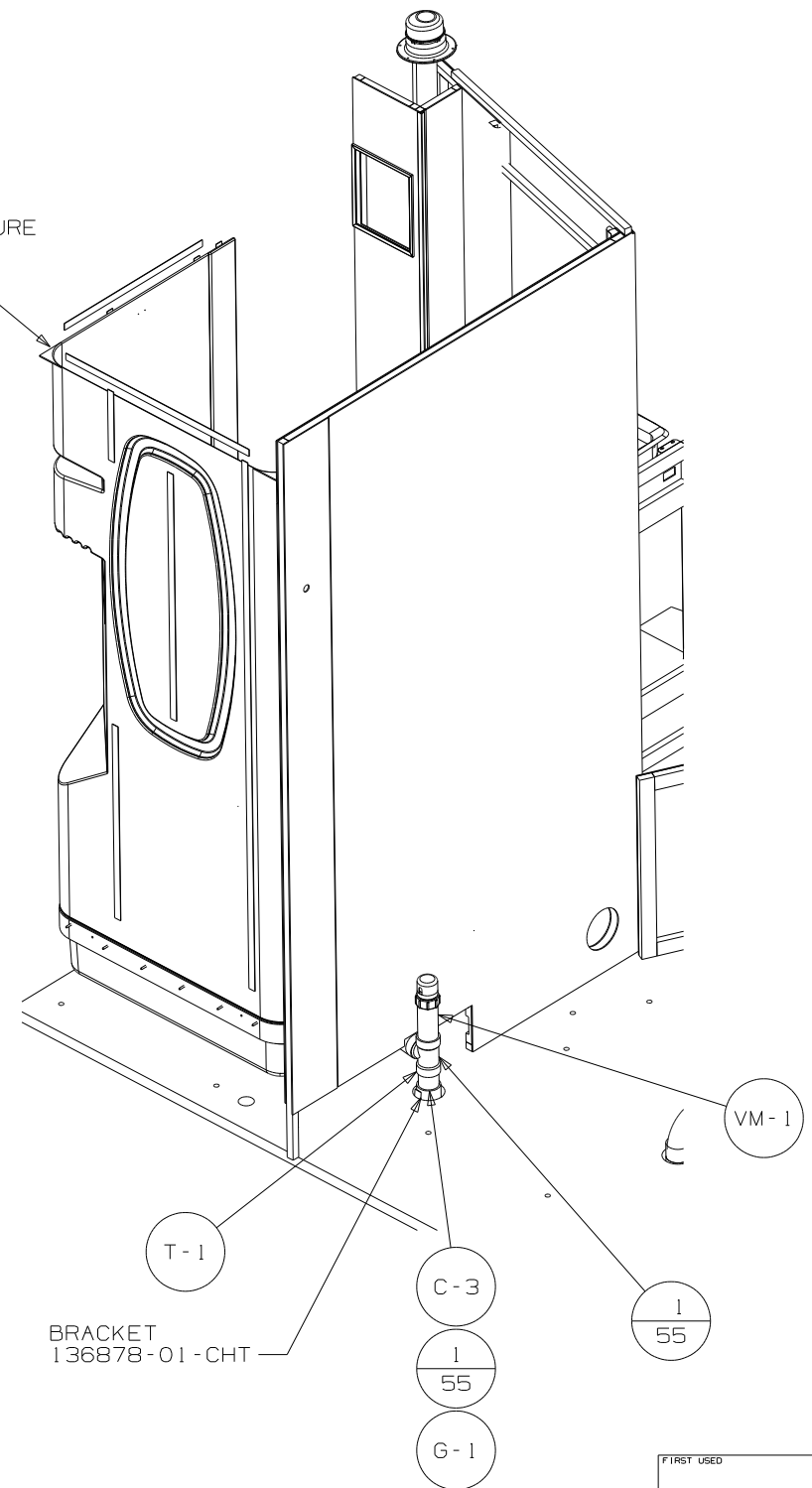
WINNEBAGO		COPYRIGHT 2010 WINNEBAGO INDUSTRIES, INC.	
DFTR	ORIG. DATE	ALL DIMENSIONS ARE IN MILLIMETERS	
CHKR		FIRST USED	
P.E.		11 224V	
M.E.		UNSPECIFIED TOLERANCES ARE:	
DSNR		MATERIAL:	
		WHOLE DIM (X) :	3
		ONE-PLACE (X.X) :	
		TWO-PLACE (X.XX) :	
		ANGLE :	
		THIRD ANGLE PROJECTION	
DO NOT SCALE DRAWING		REFER TO ES0018 FOR FASTENER TIGHTENING GUIDELINES	
TITLE: DRAINAGE SYSTEM INSTL			
SHEET 1 OF 4	PART NO	REV	
	177229		

FOR
DRAINAGE
CALLOUTS
SEE DWG NO
116229-01-000



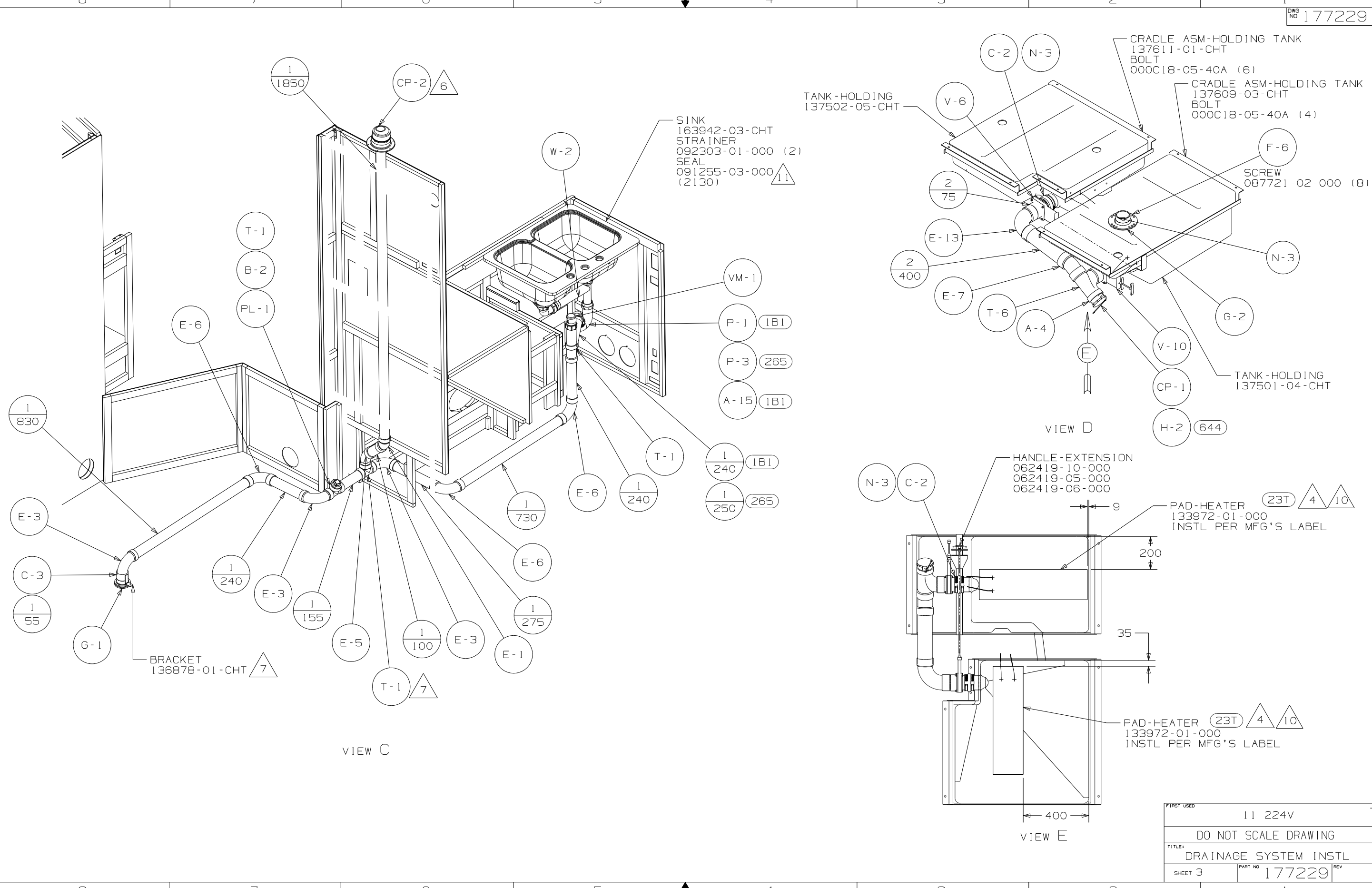
VIEW A

SHOWER INSTL - ENCLOSURE
147936-03-000



VIEW B

FIRST USED	11 224V
DO NOT SCALE DRAWING	
TITLE:	DRAINAGE SYSTEM INSTL
SHEET 2	PART NO 177229 REV



SINK
163942-03-CHT
STRAINER
092303-01-000 (2)
SEAL
091255-03-000 (2130)

TANK-HOLDING
137502-05-CHT

CRADLE ASM-HOLDING TANK
137611-01-CHT
BOLT
000C18-05-40A (6)
CRADLE ASM-HOLDING TANK
137609-03-CHT
BOLT
000C18-05-40A (4)

SCREW
087721-02-000 (8)

TANK-HOLDING
137501-04-CHT

VIEW D

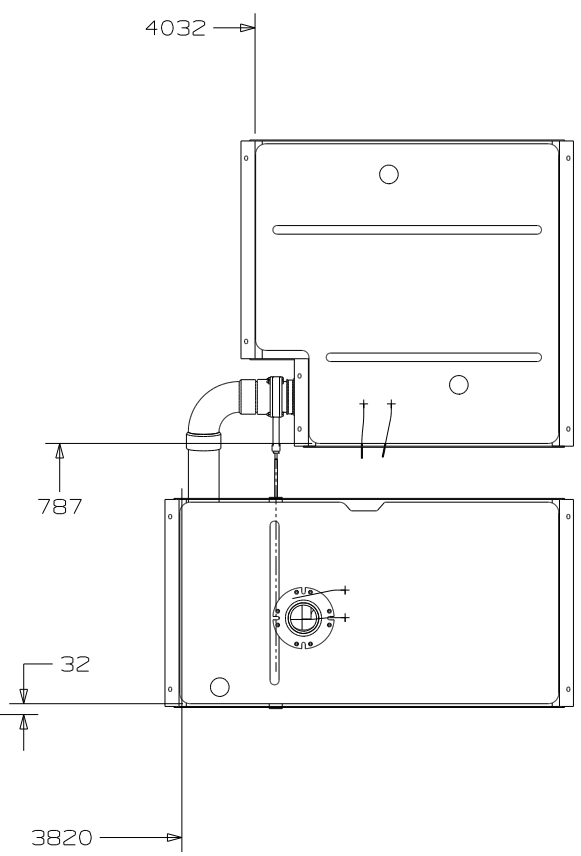
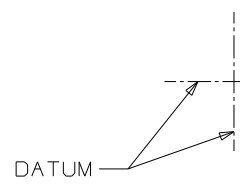
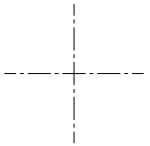
HANDLE-EXTENSION
062419-10-000
062419-05-000
062419-06-000

PAD-HEATER
133972-01-000
INSTL PER MFG'S LABEL

PAD-HEATER
133972-01-000
INSTL PER MFG'S LABEL

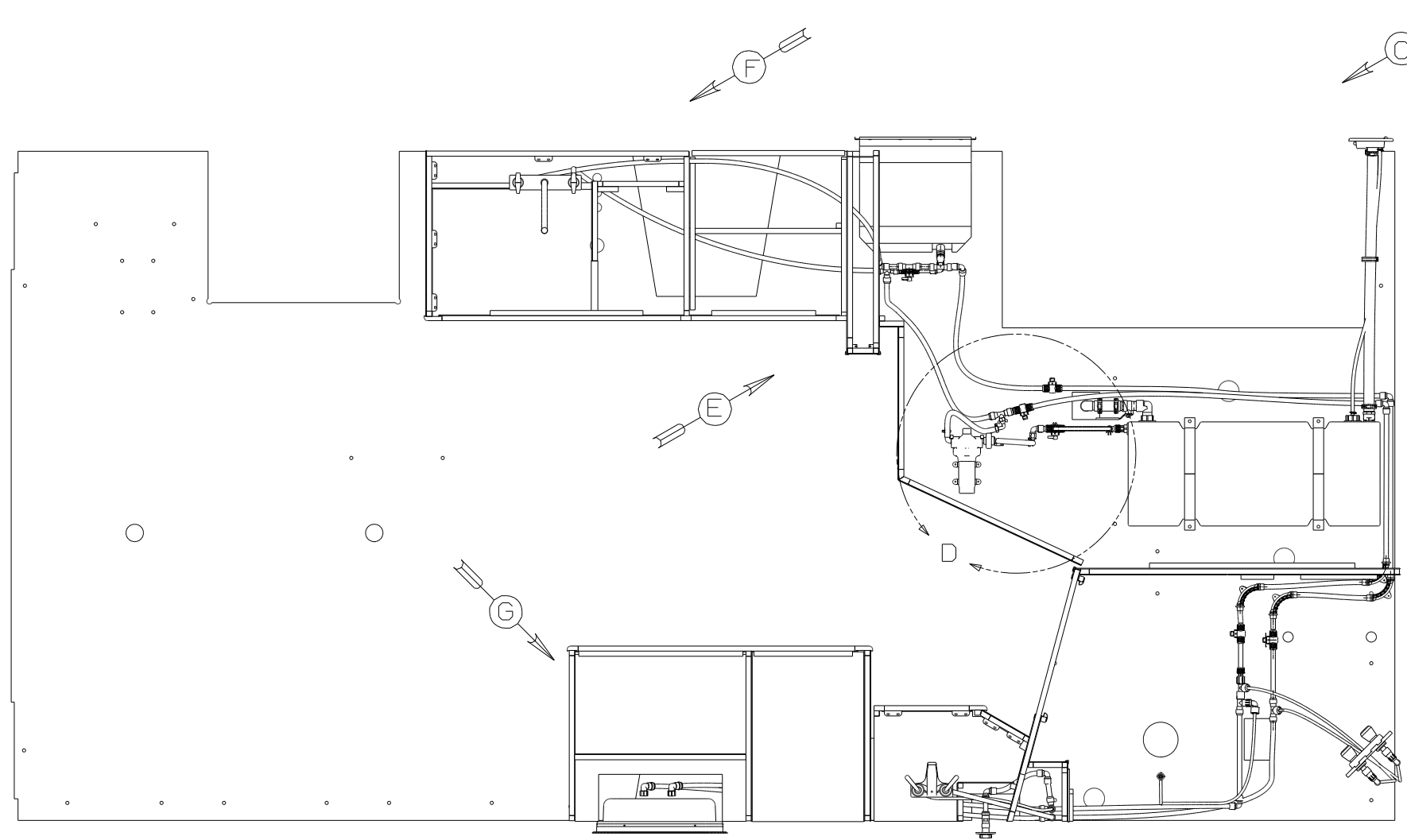
VIEW E

FIRST USED	11 224V
TITLE	DO NOT SCALE DRAWING
TITLE	DRAINAGE SYSTEM INSTL
SHEET 3	PART NO 177229 REV
12/10/2010	



TOP VIEW SHOWING TANK LOCATION

FIRST USED	11 224V
TITLE	DO NOT SCALE DRAWING DRAINAGE SYSTEM INSTL
SHEET 4	PART NO 177229 REV



- NOTES:
1. PLASTIC FITTINGS TO BE SEALED WITH SEALANT 084456-01-000.
 2. TUBING TO BE INSTALLED WITH SUFFICIENT SLOPE TO PROVIDE DRAINAGE TO NEAREST VALVE OR TANK.
 3. ALL TUBING TO BE SECURED AT 1200 INTERVALS MAXIMUM WITH CLAMP 010495-01-000 AND SCREW 000G67-10-12B OR EQUIVALENT.
 4. ADD TEFLON TAPE 010405-01-000.
 5. ADD TEFLON TAPE 010405-02-000.
 6. ADD TEFLON TAPE 010405-03-000.
 7. ATTACH WASHER-PLASTIC 087080-11-CHT WITH TAPE-DOUBLE 123816-03-000 ON BOTTOM SIDE OF COMPARTMENT.
 8. ATTACH WASHER-PLASTIC 087080-13-CHT WITH TAPE-DOUBLE 123816-03-000 ON BOTTOM SIDE OF FLOOR.
 9. TAPE FITTING TO TUBE BEFORE CABINET SET TO PREVENT FITTING FROM MOVING.
 10. LABEL THE HOT AND COLD SUPPLY TUBES.

- 644 GREAT ALASKAN RENTAL PACKAGE
- 53B WTR HTR-6GAL ELECTRIC/LP GAS
- 53F WATER HEATER-ELEC. IGNITION
- 53E WATER SYS WINTERIZATION PKG

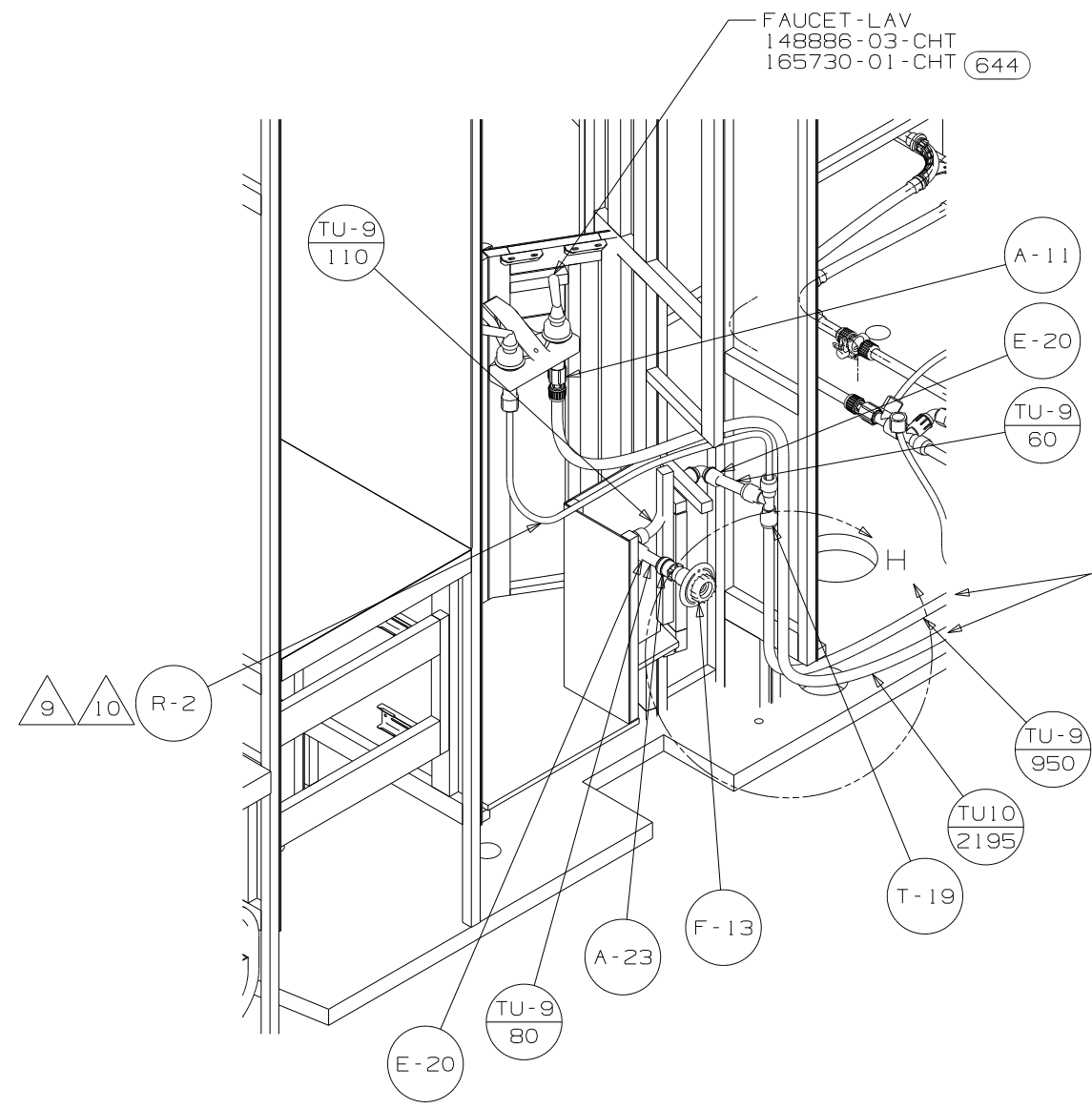
WINNEBAGO		COPYRIGHT 2011 WINNEBAGO INDUSTRIES, INC.	
DFTR	ORIG. DATE	ALL DIMENSIONS ARE IN MILLIMETERS	
CHKR		11 224V	
P.E.		UNSPECIFIED TOLERANCES ARE:	
M.E.	FIRST USED	WHOLE DIM (X) :	3
DSNR		ONE-PLACE (X.X) :	
		TWO-PLACE (X.XX) :	
		ANGLE :	
THIRD ANGLE PROJECTION		MATERIAL:	
DO NOT SCALE DRAWING		REFER TO ES0018 FOR FASTENER TIGHTENING GUIDELINES	
TITLE: WATER SYSTEM INSTL			
SHEET 1 OF 5	PART NO 177143	REV	
REF:	1 3/11/2011		

FOR
WATER
CALLOUTS
SEE DWG NO
116230-01-000

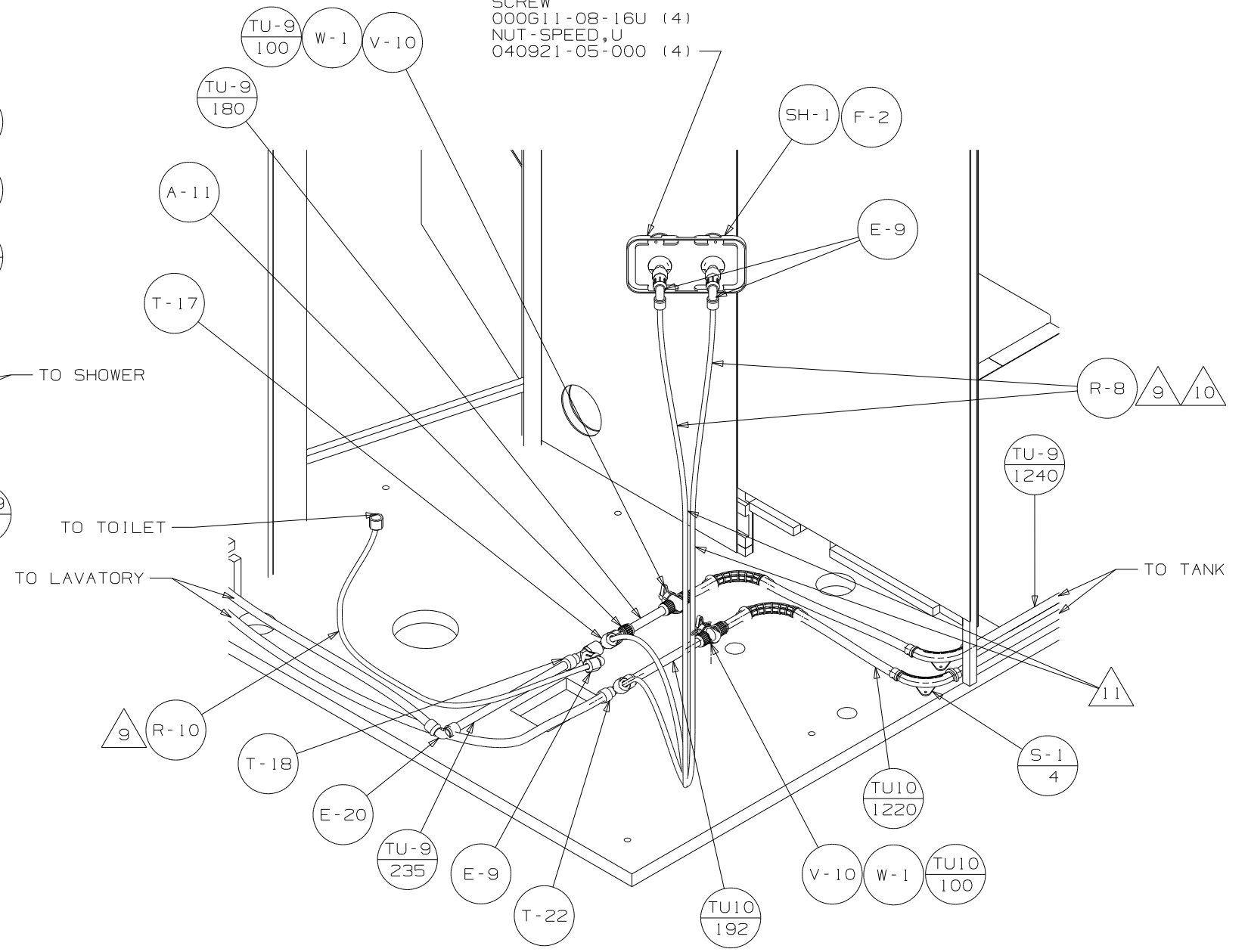


- PANEL 167738-02-CHT
- SCREW 000G11-08-12U (4)
- COVER 166569-01-CHT
- SCREW 000G11-08-16U (4)
- NUT - SPEED,U 040921-05-000 (4)

FAUCET-LAV
 148886-03-CHT
 165730-01-CHT (644)



VIEW A



VIEW B

FIRST USED	11 224V
DO NOT SCALE DRAWING	
TITLE:	WATER SYSTEM INSTL
SHEET 2	PART NO 177143 REV

TANK - WATER, 36 GAL
156167-05-000
STRAP - TANK, WATER
118994-10-CHT (2)

TO SHOWER, LAV FAUCET
AND TOILET

TO SHOWER
LAV FAUCET

TO WATER HEATER
AND GALLEY FAUCET

FROM WATER HEATER
AND GALLEY FAUCET

ELBOW
132781-01-000
TUBE
074462-01-000
(100)

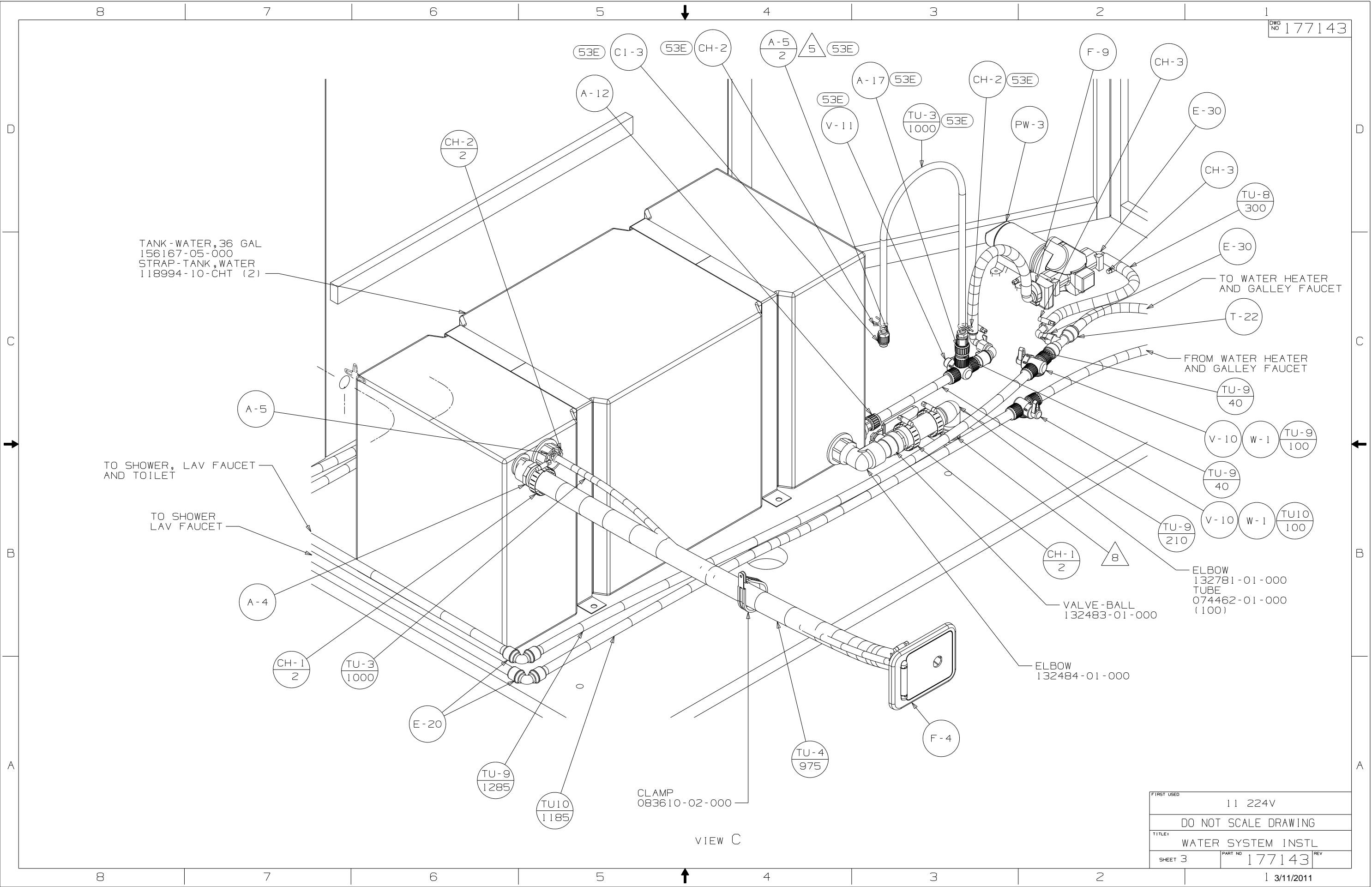
VALVE - BALL
132483-01-000

ELBOW
132484-01-000

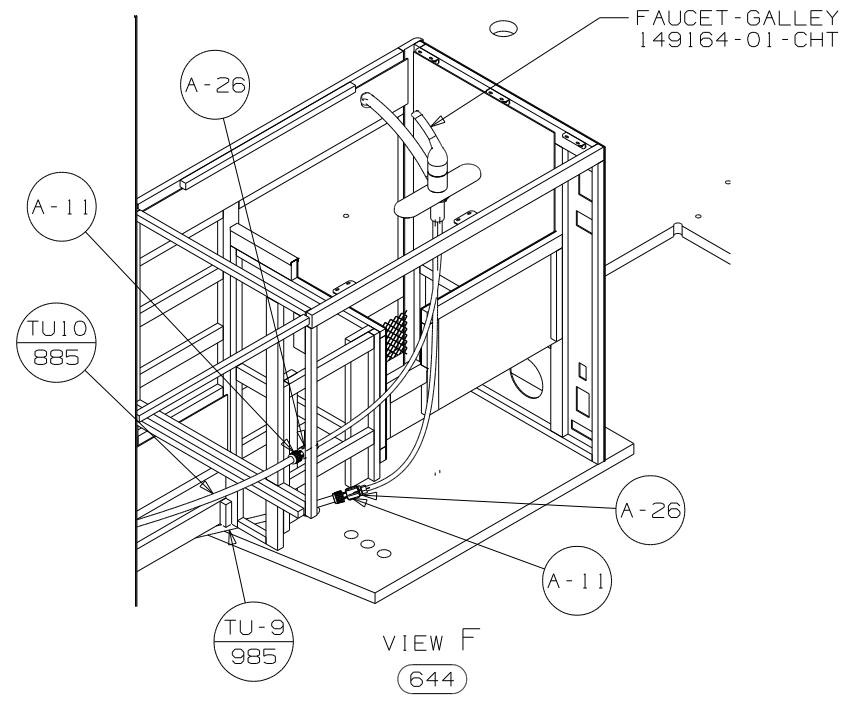
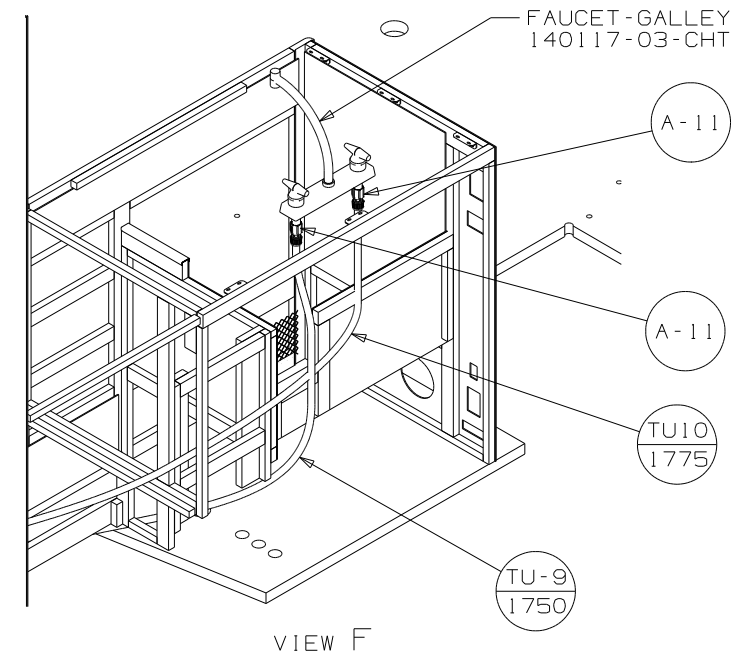
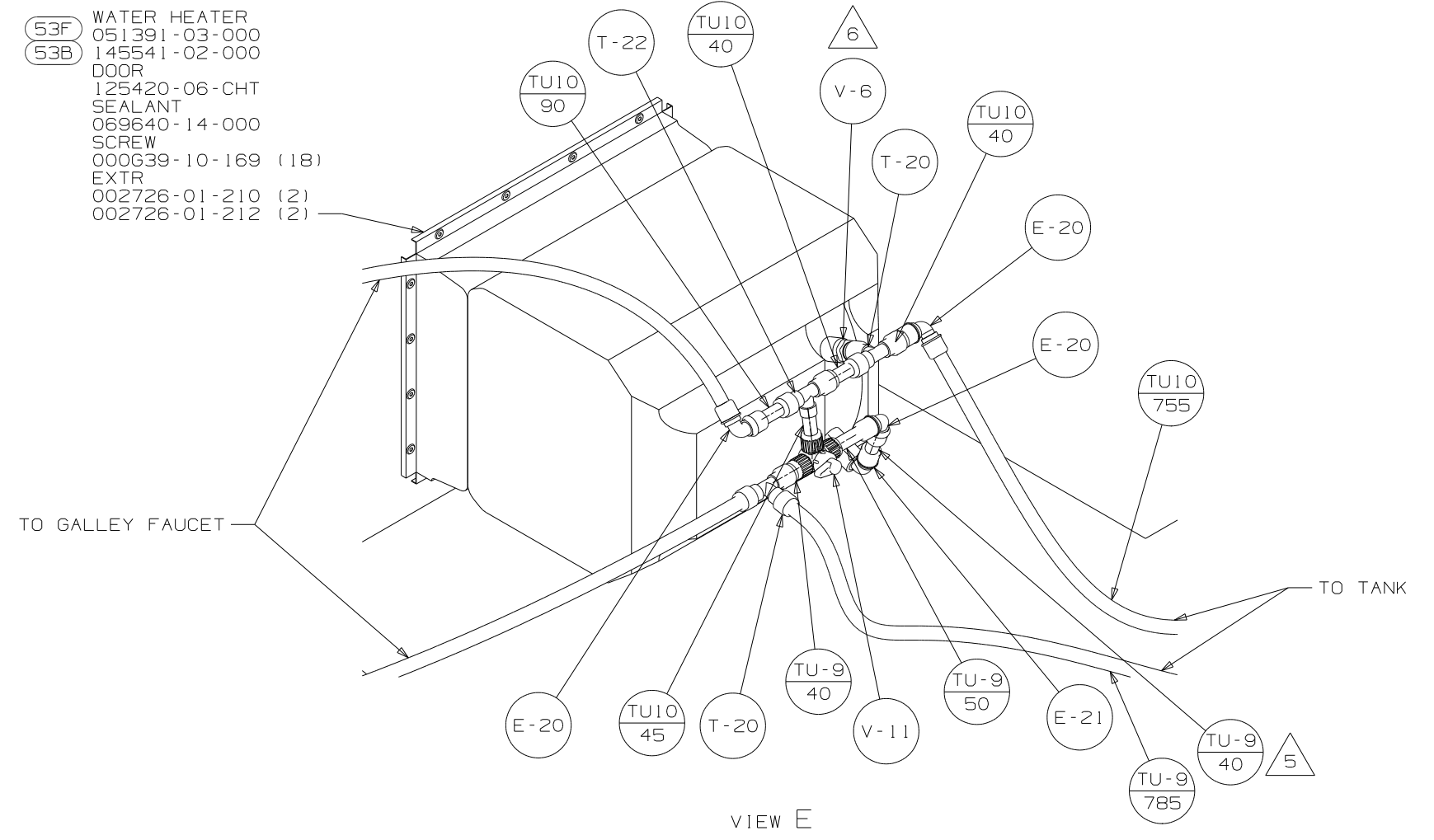
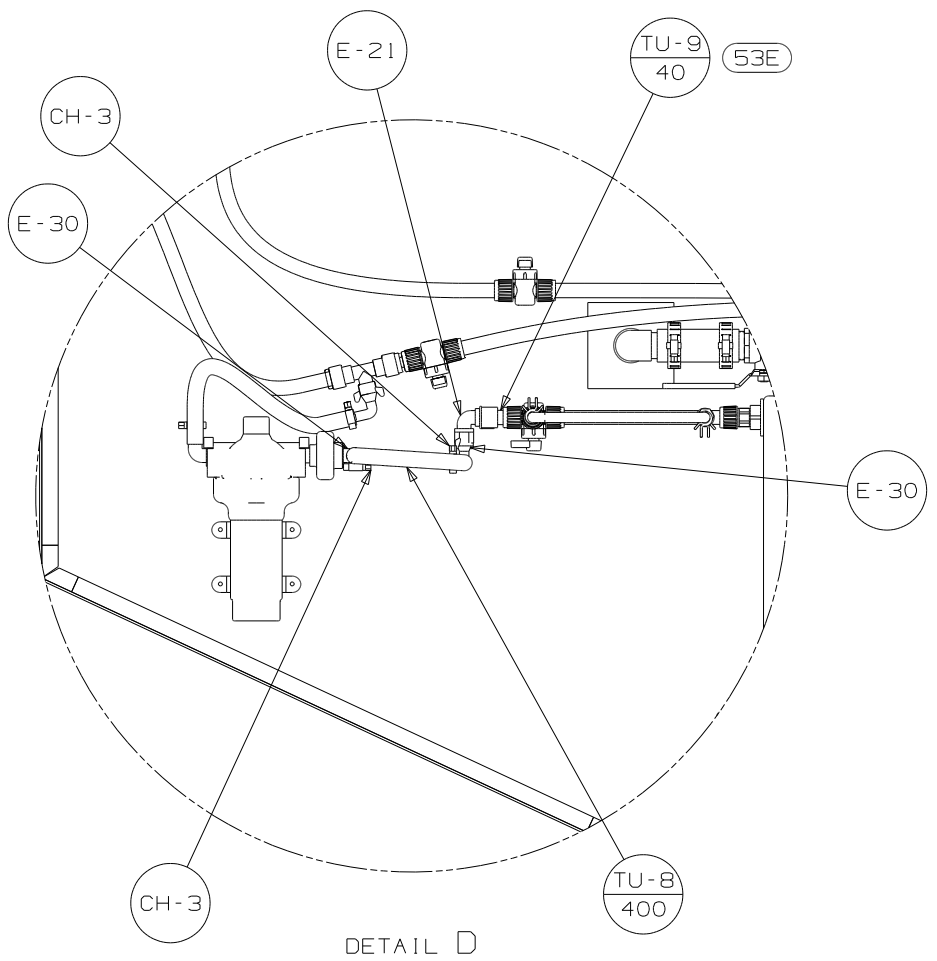
CLAMP
083610-02-000

FIRST USED	11 224V
DO NOT SCALE DRAWING	
TITLE:	WATER SYSTEM INSTL
SHEET 3	PART NO 177143 REV

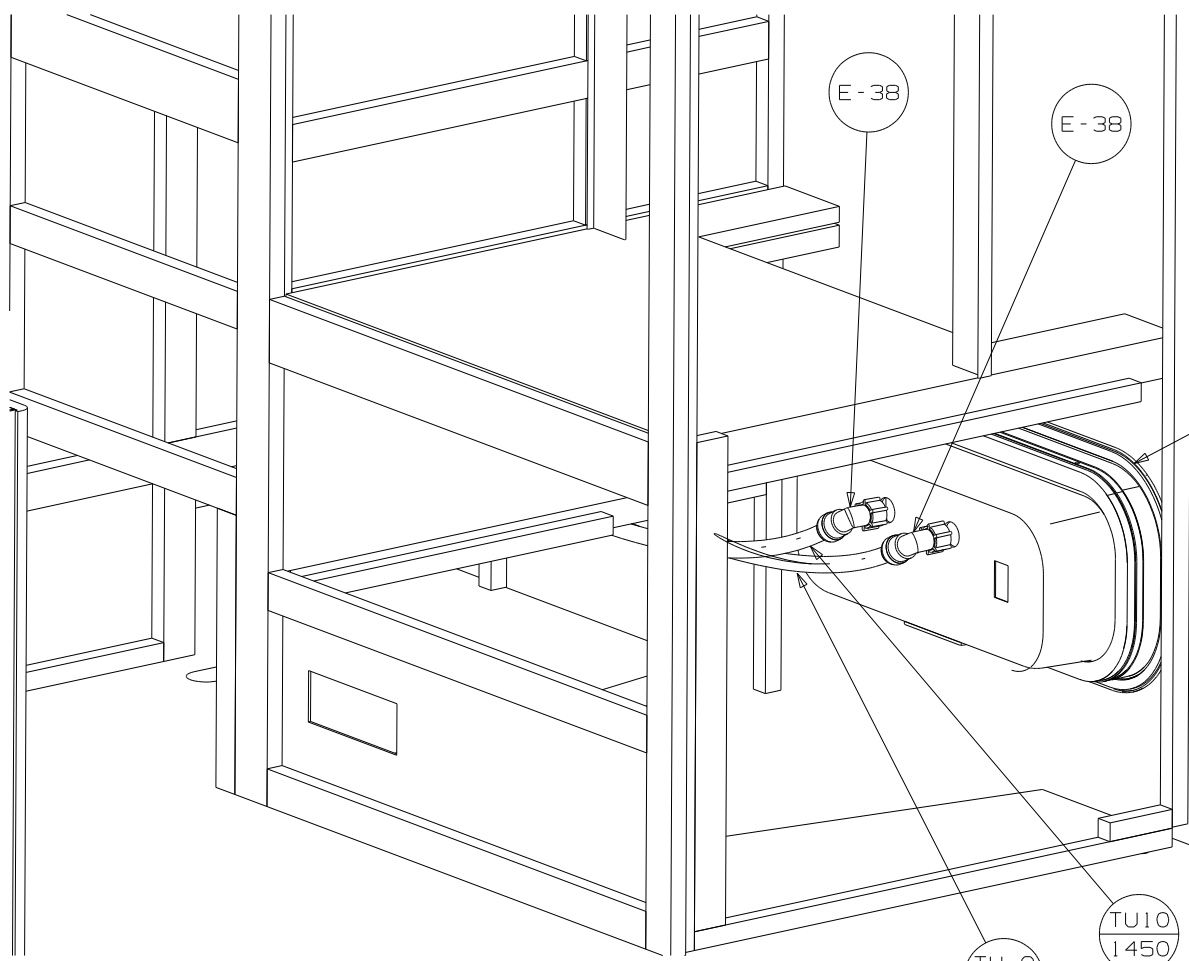
VIEW C



- (53F) WATER HEATER
051391-03-000
- (53B) SEALANT
145541-02-000
- DOOR
125420-06-CHT
- SEALANT
069640-14-000
- SCREW
000639-10-169 (18)
- EXTR
002726-01-210 (2)
- 002726-01-212 (2)



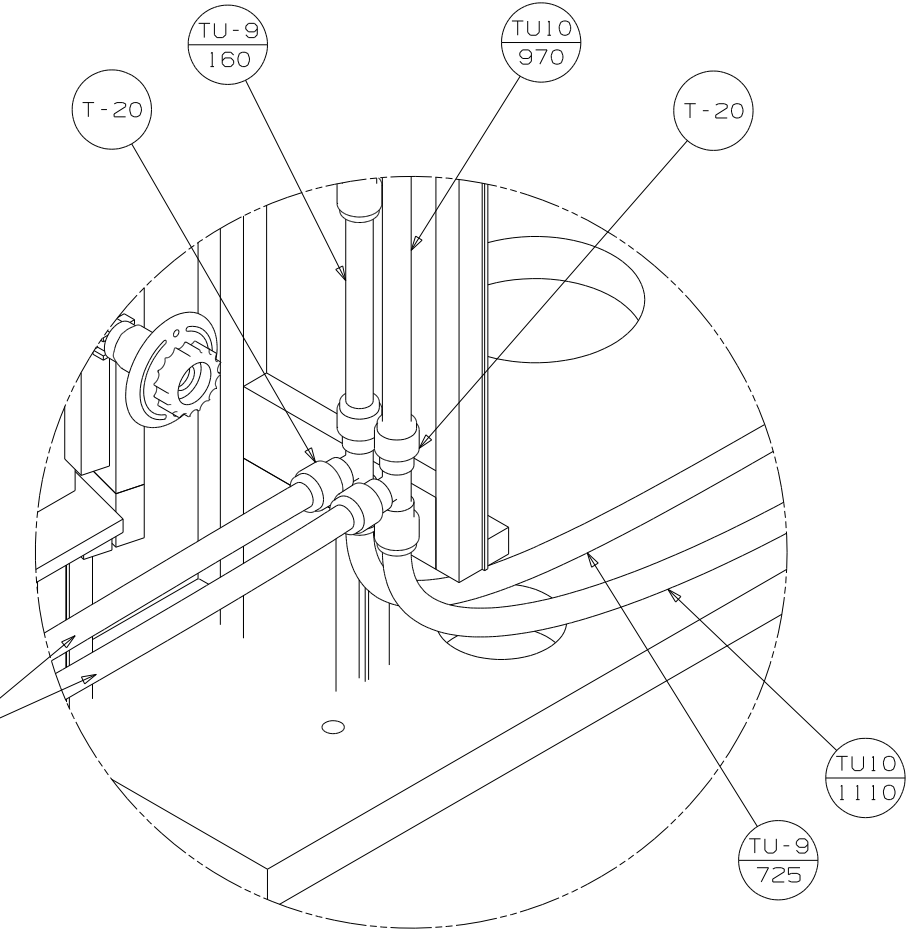
FIRST USED	11 224V
DO NOT SCALE DRAWING	
TITLE:	WATER SYSTEM INSTL
SHEET 4	PART NO 177143 REV
1 3/11/2011	



VIEW G
(64R)

COMPARTMENT ASM
155264-09-XXX

TO EXTERIOR SHOWER



DETAIL H
(64R)

FIRST USED	11 224V
DO NOT SCALE DRAWING	
TITLE:	WATER SYSTEM INSTL
SHEET 5	PART NO 177143 REV